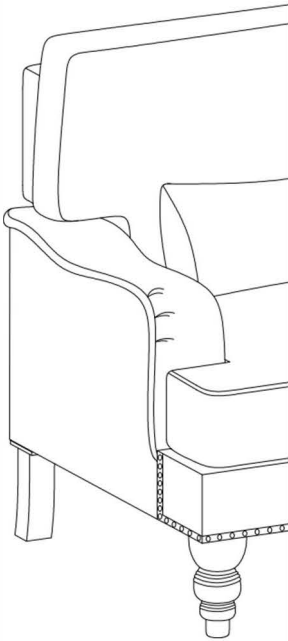


Owner Manual



WARRANTY

We strive to offer high quality product and we also try our best to satisfy each customer that order from us, no matter on products or services as needed. Each customer receives a record of their order, such as the order number or item receipt. For any items that are out of warranty period, you may still be able to purchase the replacement parts from our company if they are available.



MAINTENANCE AND WARNING

Please read the manual thoroughly
before you start installing.

Please keep the product away from
sharp object.

Packaging and small parts may have
chocking hazard, please keep them away
from children and pets.

Please clean the product according to each
clean code, check the product description
for more information.

Please keep the product away from
fire.

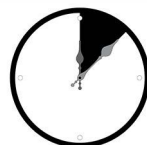
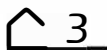
If you have any other questions, please
contact us, we will be glad to help you out.

If the product is placed under direct
sunlight, the pattern or color might fade
away overtime.

Check the product periodically to make
sure everything is secured and tightened.

Always use proper tools for installation.

Do not jump on the product.



Around 20 min

PRODUCT DESCRIPTION

Premium Chenille Upholstery — The chair is wrapped in high-quality chenille known for its warm hand-feel, plush softness, and visually refined texture, delivering an elevated tactile experience suitable for daily residential use.

Full Back Support Structure — A tall, densely padded backrest provides complete upper-body coverage, ensuring stable support for the back and shoulders during extended seating sessions.

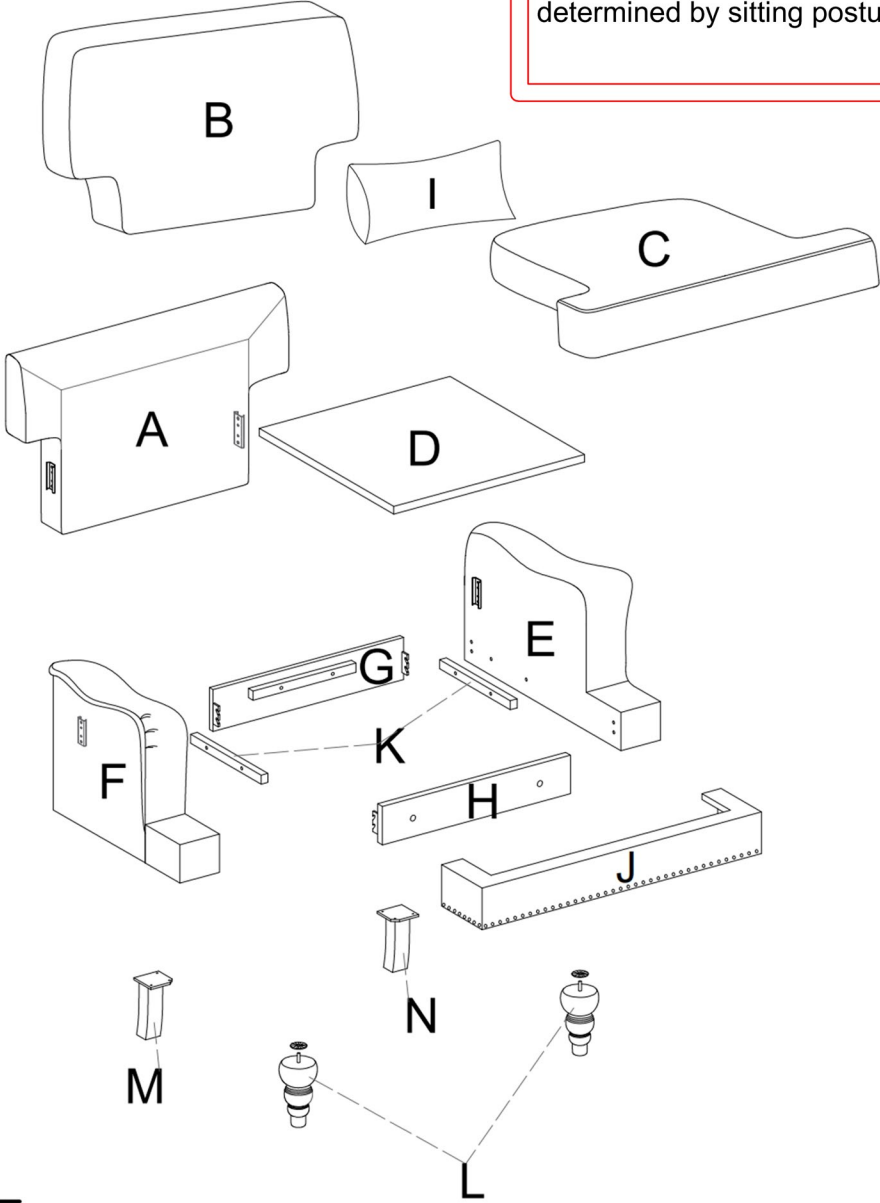
High-Density Seating System — The seat incorporates foam sponge paired with a spring pack to maintain consistent support, optimal breathability, and long-term rebound without sagging.

Seamless Upholstery Craftsmanship — Smooth, uninterrupted paneling enhances visual uniformity, simplifies upkeep, and reinforces the chair's cohesive aesthetic.

Stability with Vintage Accents — Solid wood legs anchor the structure firmly, while precision-applied metal nailheads introduce an elevated retro signature. A matching lumbar pillow enhances ergonomic flexibility and reinforces overall design harmony.

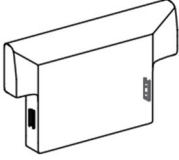
EXPLODED VIEW


The product's left and right are determined by sitting posture



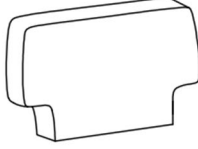
PARTS

A*1



Backrest

B*1



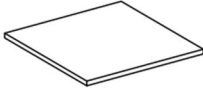
Back cushion

C*1



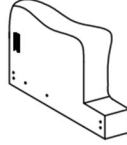
Seat cushion

D*1



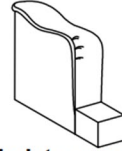
Seat frame

E*1



Left arm

F*1



Right arm

G*1



Rear connecting plate

H*1



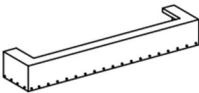
Front connecting plate

I*1



Pillow

J*1



Front baffle

K*2



Rail bar

L*2



Front leg

M*1



Rear leg-R

N*1



Rear leg-L

HARDWARE

TOOL LIST

NOTE: Designated with (★) We provide additional spare parts in the hardware package

①*4



★ Bolts

②*2



Bolts

③*14



★ Bolts

④*6



★ Flat washer

⑤*1



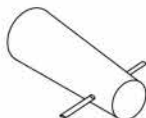
Allen wrench

⑥*2



Nut

⑦*1

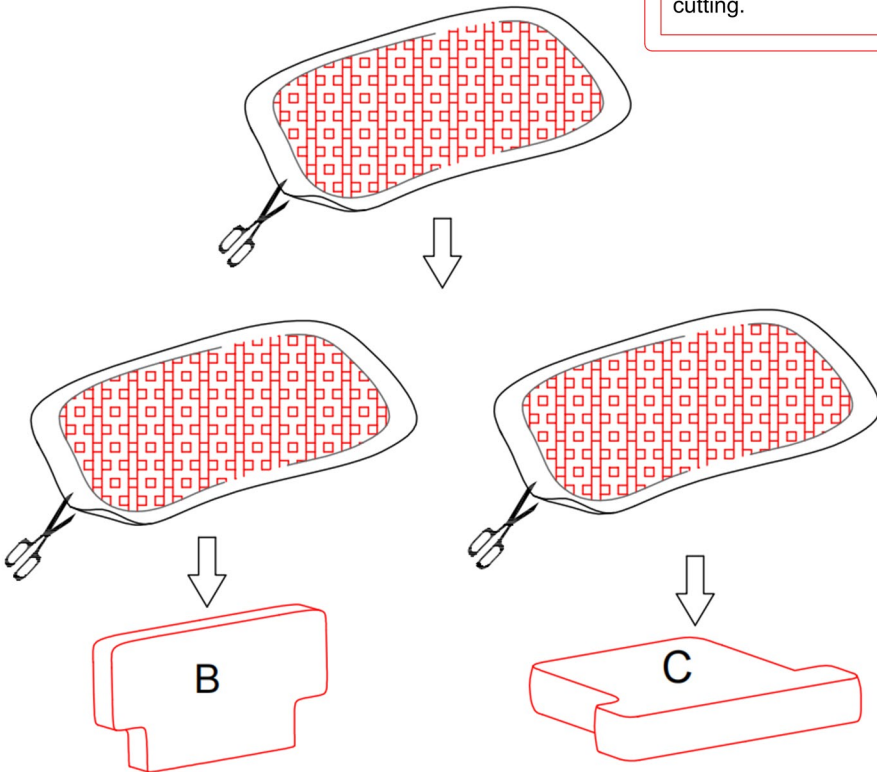
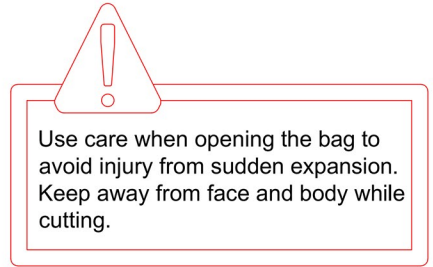


Hexagon Socket

Please make sure all hardware & packing material fitting the list. Especially some small accessories may be missing during transportation. Please contact us if you have any question.


step 1---Cut open the plastic air compression bags

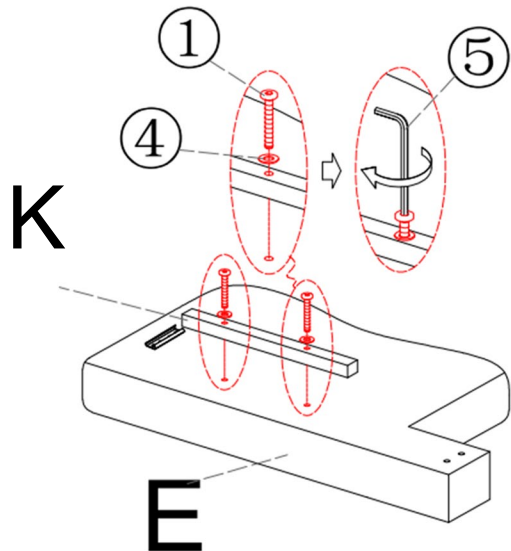
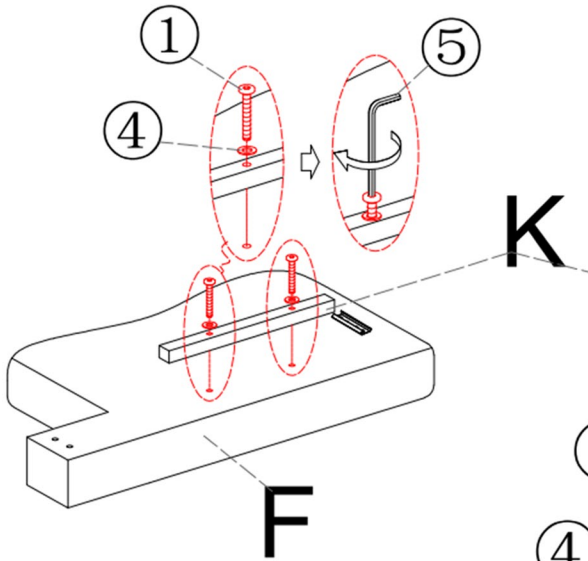
Cut open the plastic compression bag and remove the compressed cushion and backrest pad from inside. Allow them to rest until they regain their original shape and support. Full recovery typically takes approximately 48 to 72 hours. Patting them by hand can help accelerate the restoration of the cushion and backrest pad.



step 2 ---Installing the Supporting Bars

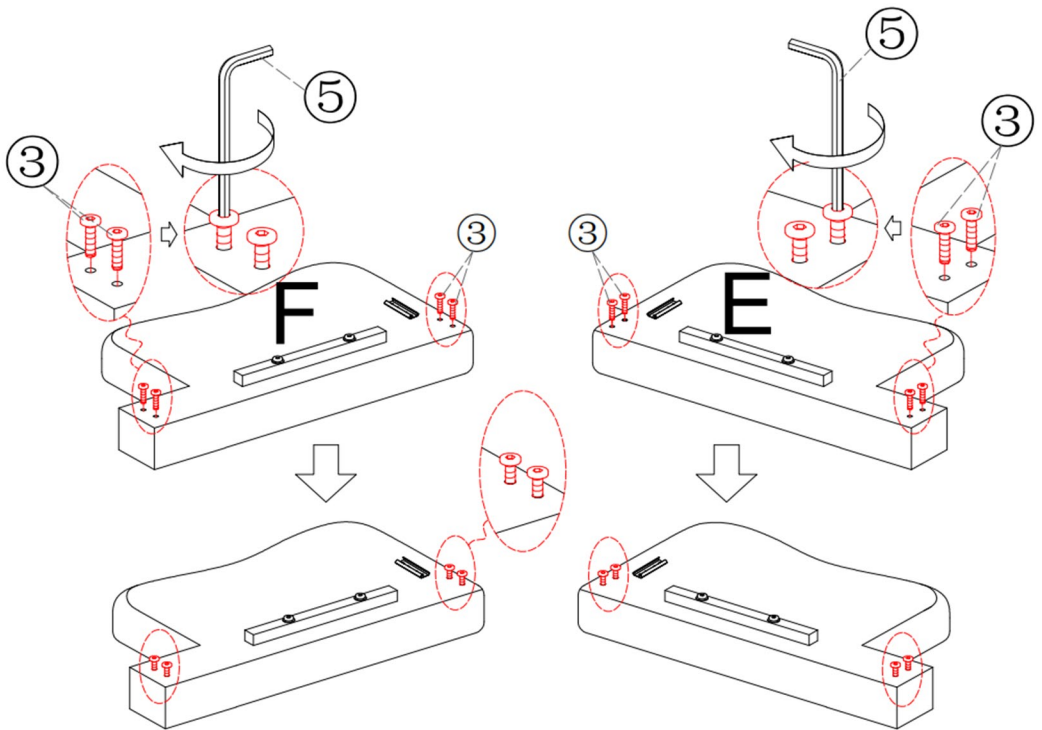
Refer to the diagram and place the Supporting Bars (K) on the designated spots of each armrest. Use the provided Allen wrench (5) to tighten the screws (1) and washers (4).


First add one flat washer on each bolt as shown, use the allen wrench provided to tighten all the bolts by 30-50% first, make sure that all bolts are aligned correctly before fully tightening.



step 3 ---Preassemble screws for Armrest(F&E)

According to the illustration, on the inner bottom front and rear sections of the left and right armrests (E, F), screw the bolts (3) in one-third of the way (2 screws on the front and rear of each armrest; do not tighten them completely). This will facilitate the next step of the assembly.

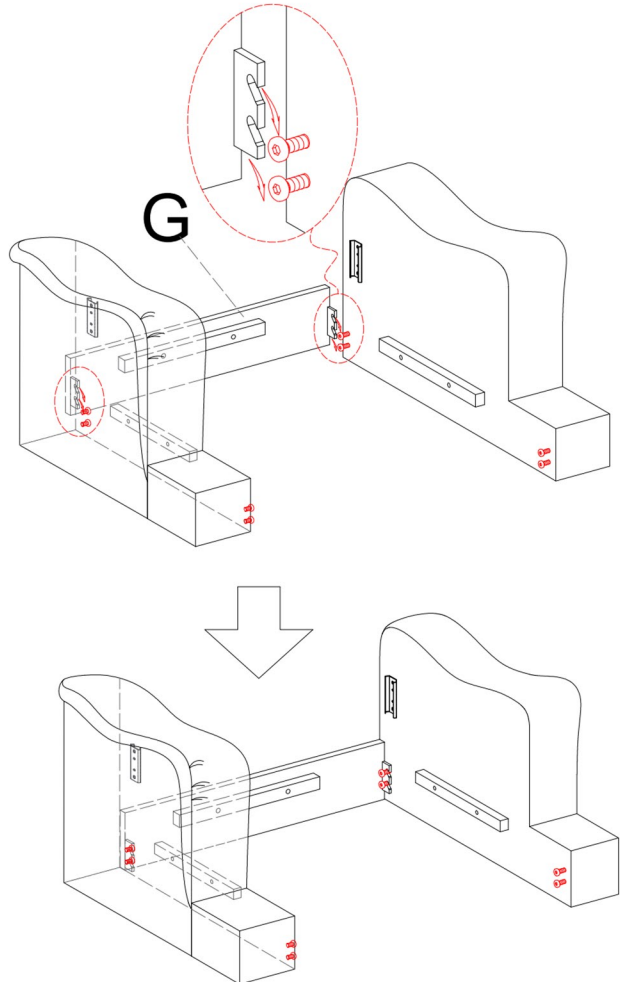


step 4 ---Install the rear connecting plate (G)

Continuing from the previous step, install the rear connecting plate (G).

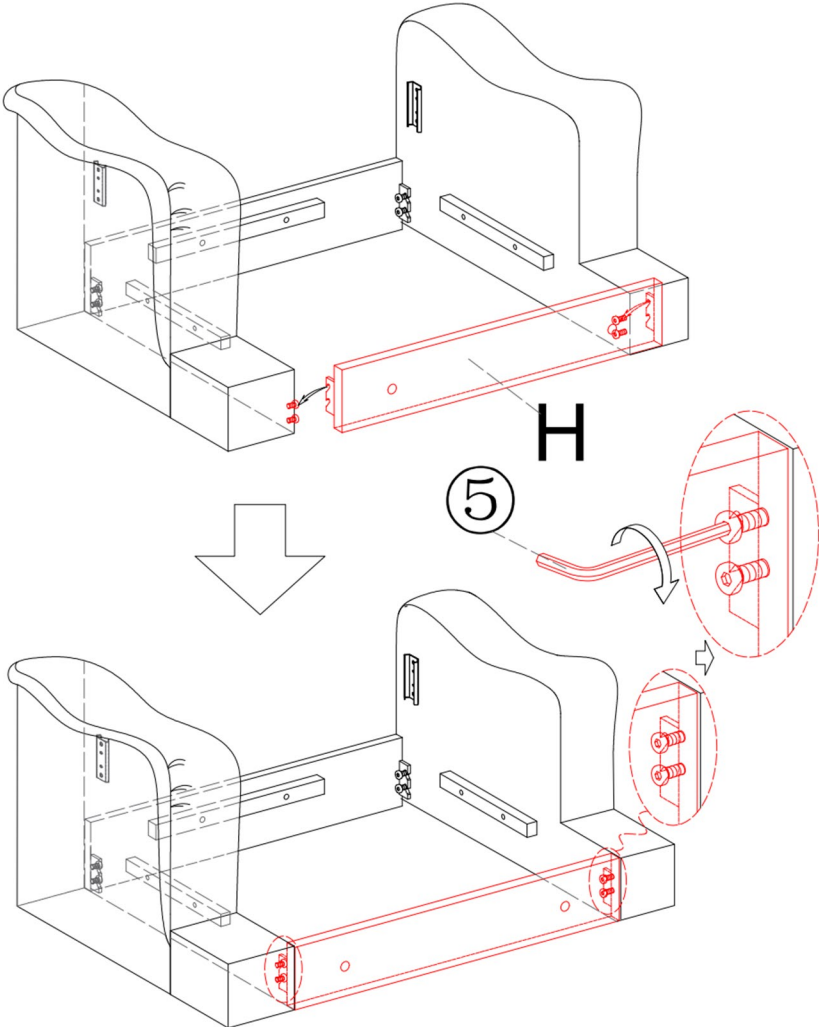
According to the illustration, stand the left and right armrests facing each other. Hook the metal tabs at both ends of the rear connecting plate (G) onto the bolts at the bottom rear of the armrests from top to bottom. Then, use a hex key to tighten the bolts, securing the rear connecting plate to the armrests.

Note: Distinguish between the front connecting plate (H) and the rear connecting plate (G). The surface of the front connecting plate is entirely covered with black backing fabric, while the outer side of the rear connecting plate features the same fabric as the rest of the sofa. Identification can also be made using the G & H serial labels affixed to the components.



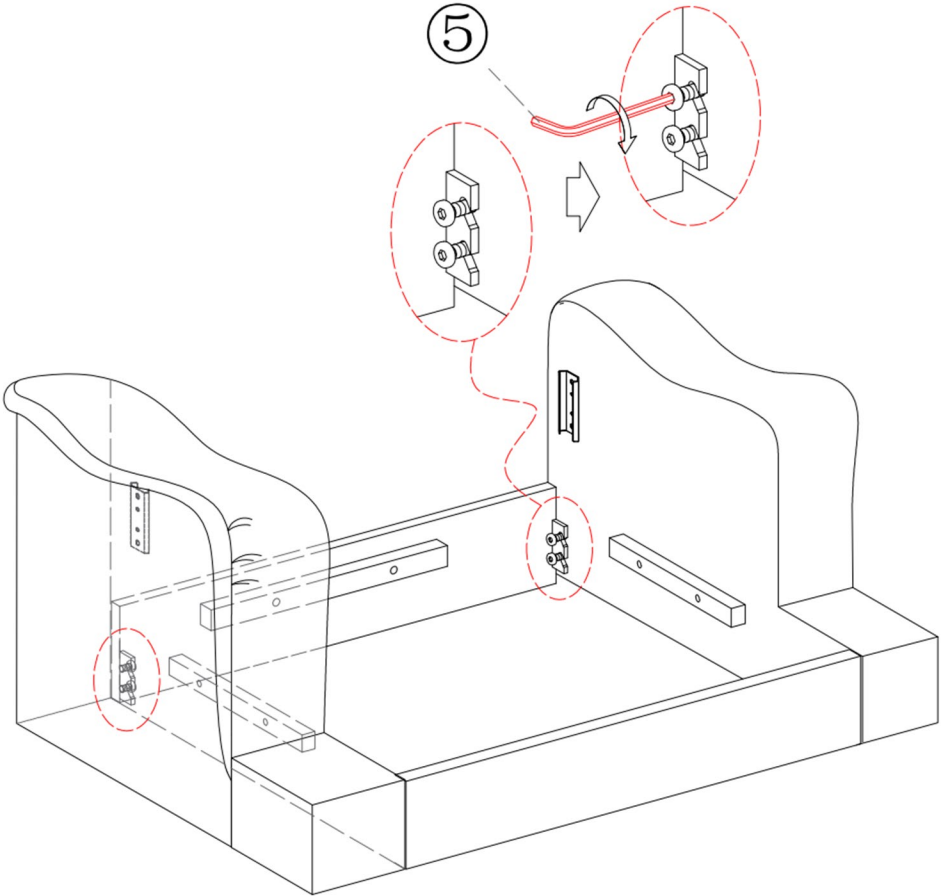
step 5 ---Install the front connecting plate (H)

Using the same method as in Step 5, install the front connecting plate H. Please note that the metal tabs at both ends of the connecting plate should be hooked from top to bottom.



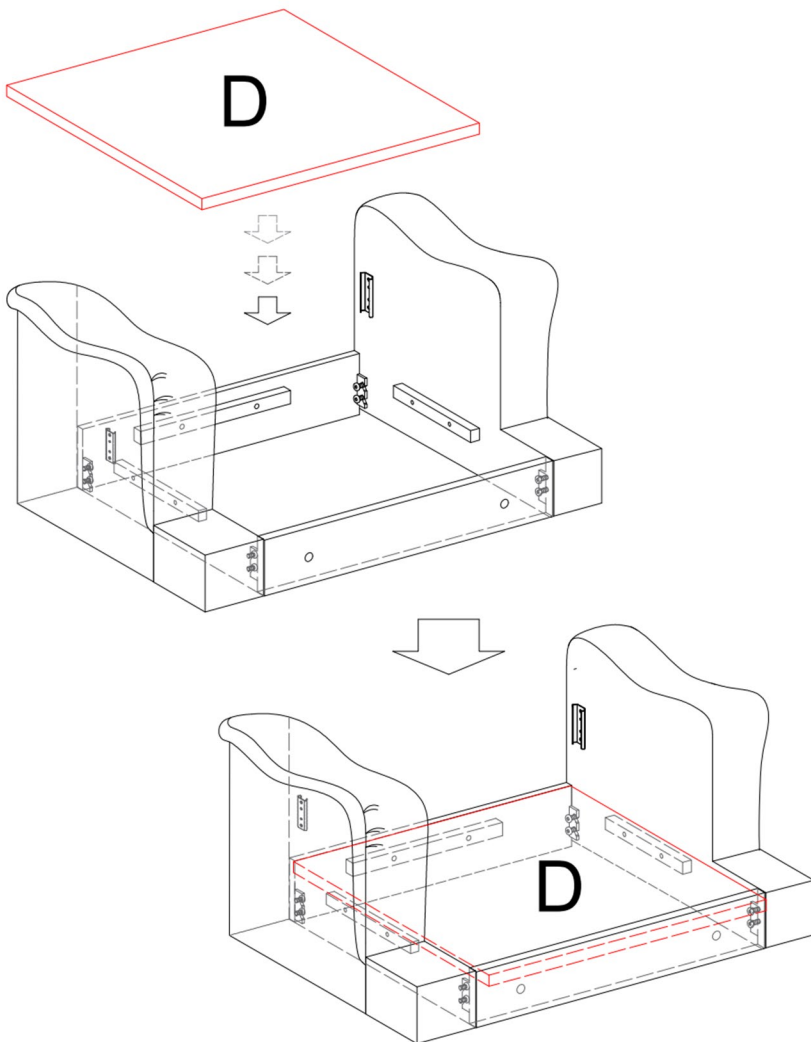
step 6 ---Tighten the bolts

Tighten all bolts.



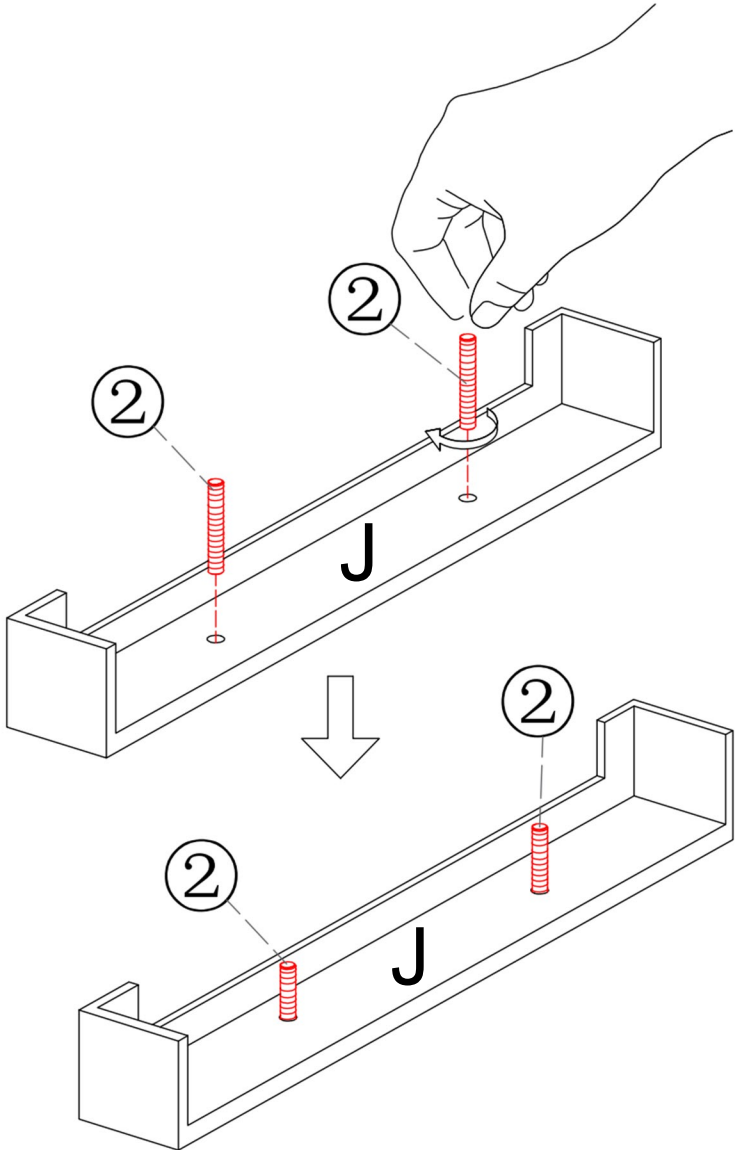
step 7 ---Place the seat frame (D)

Insert the seat frame (D) into the framework formed by the left and right armrests along with the front and rear connecting plates, so that the wooden strips pre-installed on the inner sides of the left and right armrests, as well as the front and rear connecting plates, bear the entire seat frame (D) from all sides.



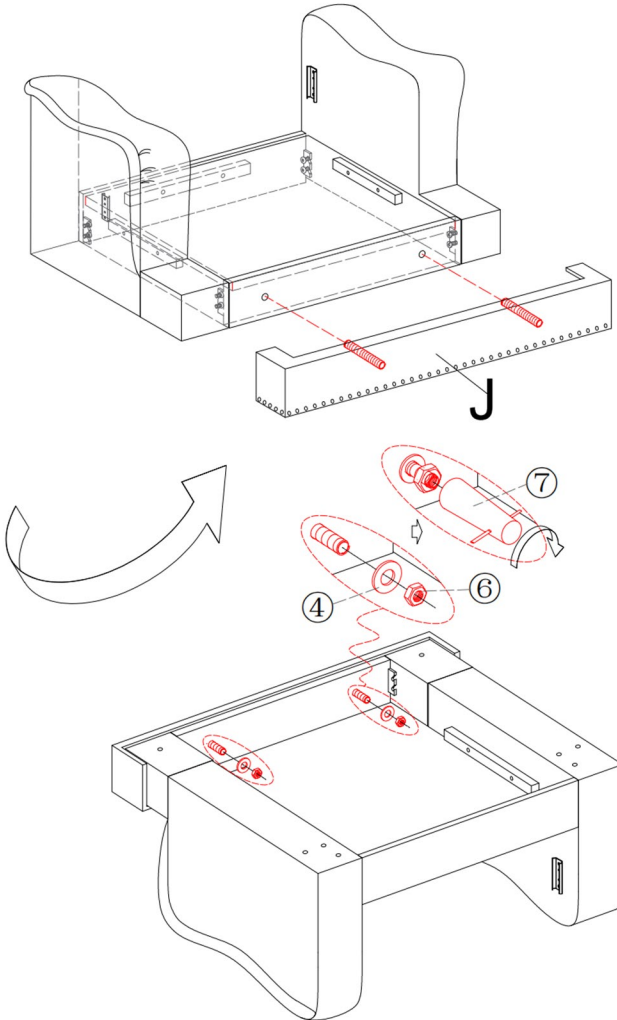
step 8 ---Preassemble screws for front baffle (J)

Screw the double-ended stud (2) into the front baffle (J) as shown in the illustration. The insertion depth should be approximately 9 mm, ensuring the stud head is flush with the front baffle and does not protrude.



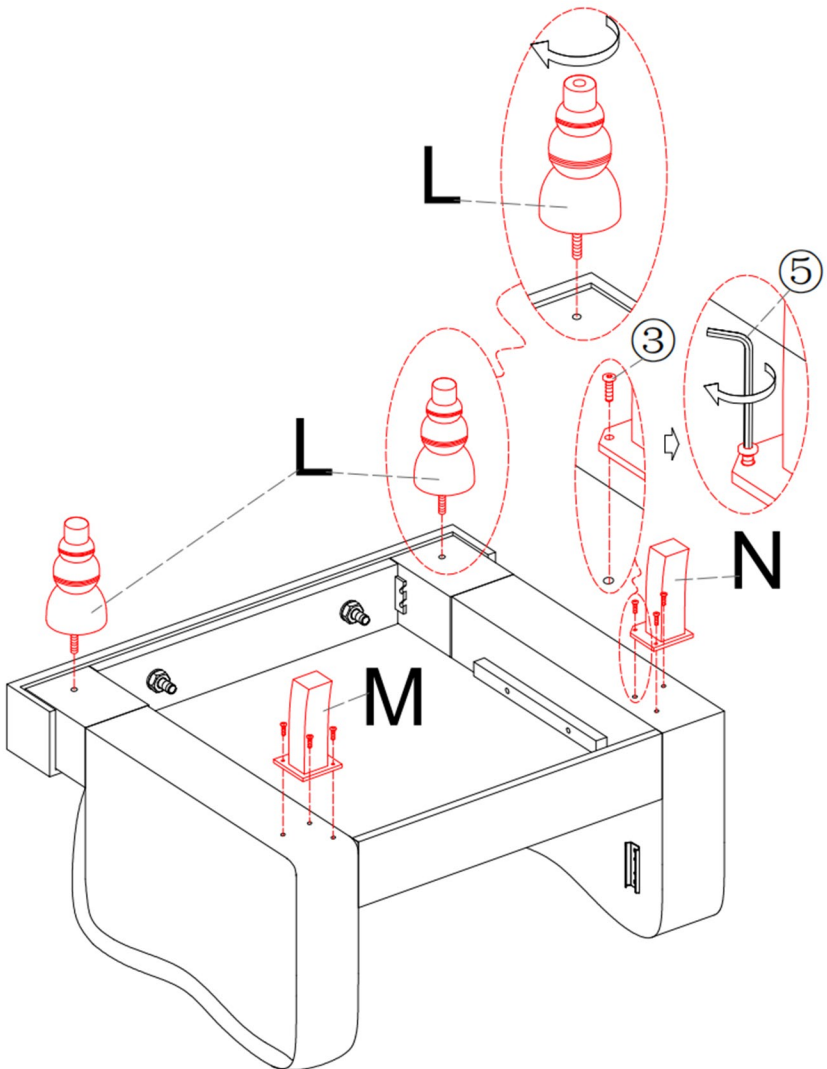
step 9 ---Fix the Front Cover

Then, position the Front Cover (J) at the front of the assembled unit, making sure the bolts pass through the corresponding holes. Turn the assembled unit over. From the underside, use the Hexagon Socket (7) to tighten the Nut Caps (6) and Washers (4).



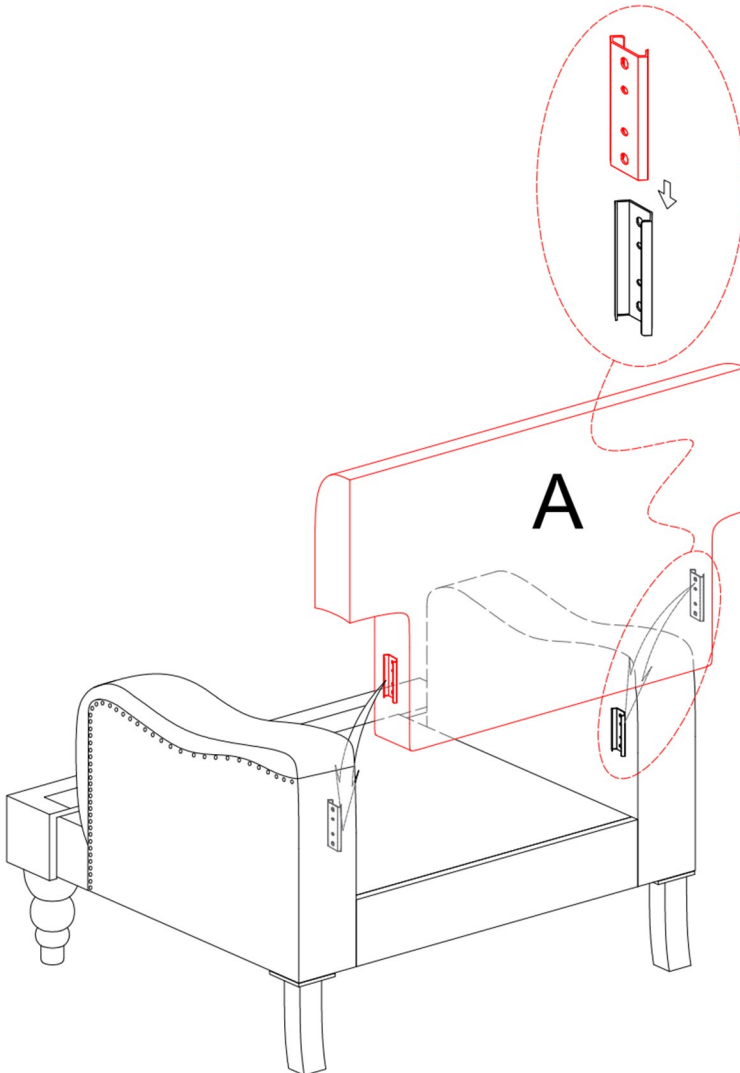
step 10 ---Install the Chair Legs (L)

Screw the Front Legs (L) into the designated holes on the bottom of the Armrests. Fix the Rear Legs (M&N) using the provided Allen wrench (5), ensuring they are facing the correct direction.



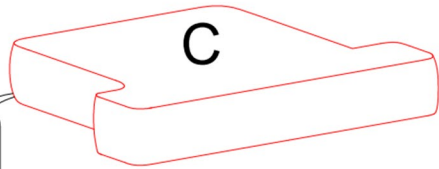
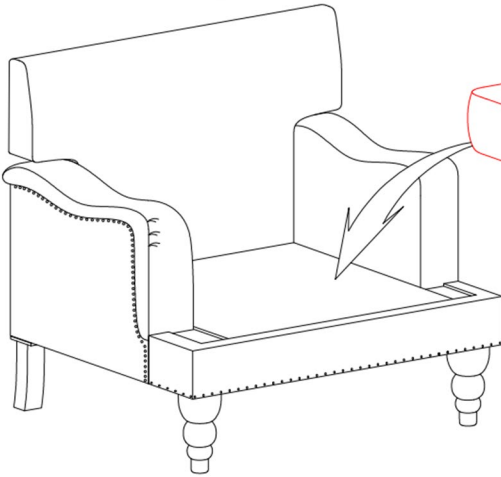
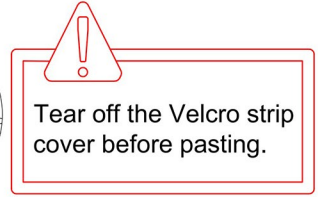
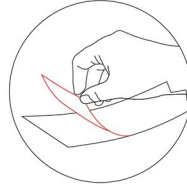
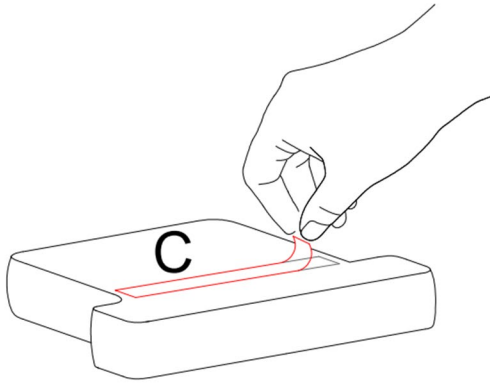
step 11 ---Install the Backrest (A)

To install the backrest (A), align the connectors on each side of the backrest with the slots on the armrest as shown, make sure both connectors are correctly aligned, then push down the backrest to fix.



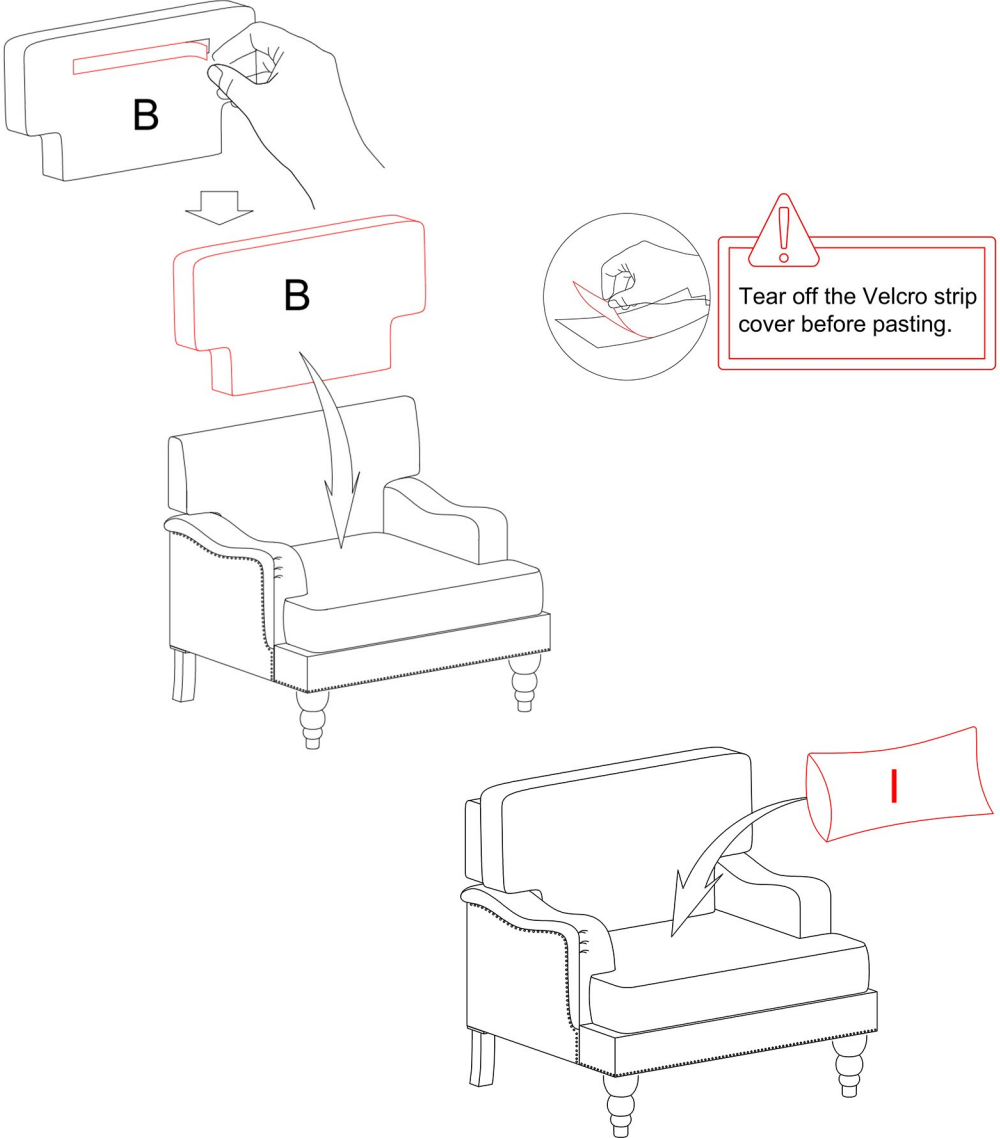
step 12 ---Place the Seat cushion (C)

Place the Seat Cushion (C) onto the chair as illustrated.



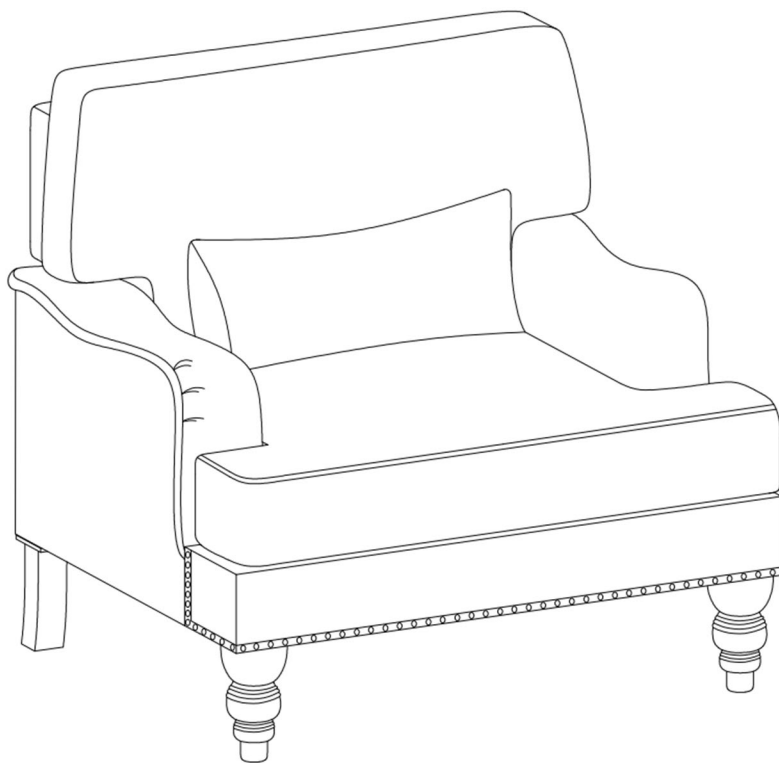
step 13 ---Place the Back cushion (B) & Lumbar Pillow (I)

Place the Back Cushion onto the chair as illustrated. Finally, position the Lumbar Pillow on the cushions.



step 14

Assemble complete! Thank you for choosing our product!
Please enjoy!



step 15



More series/colors coming up.