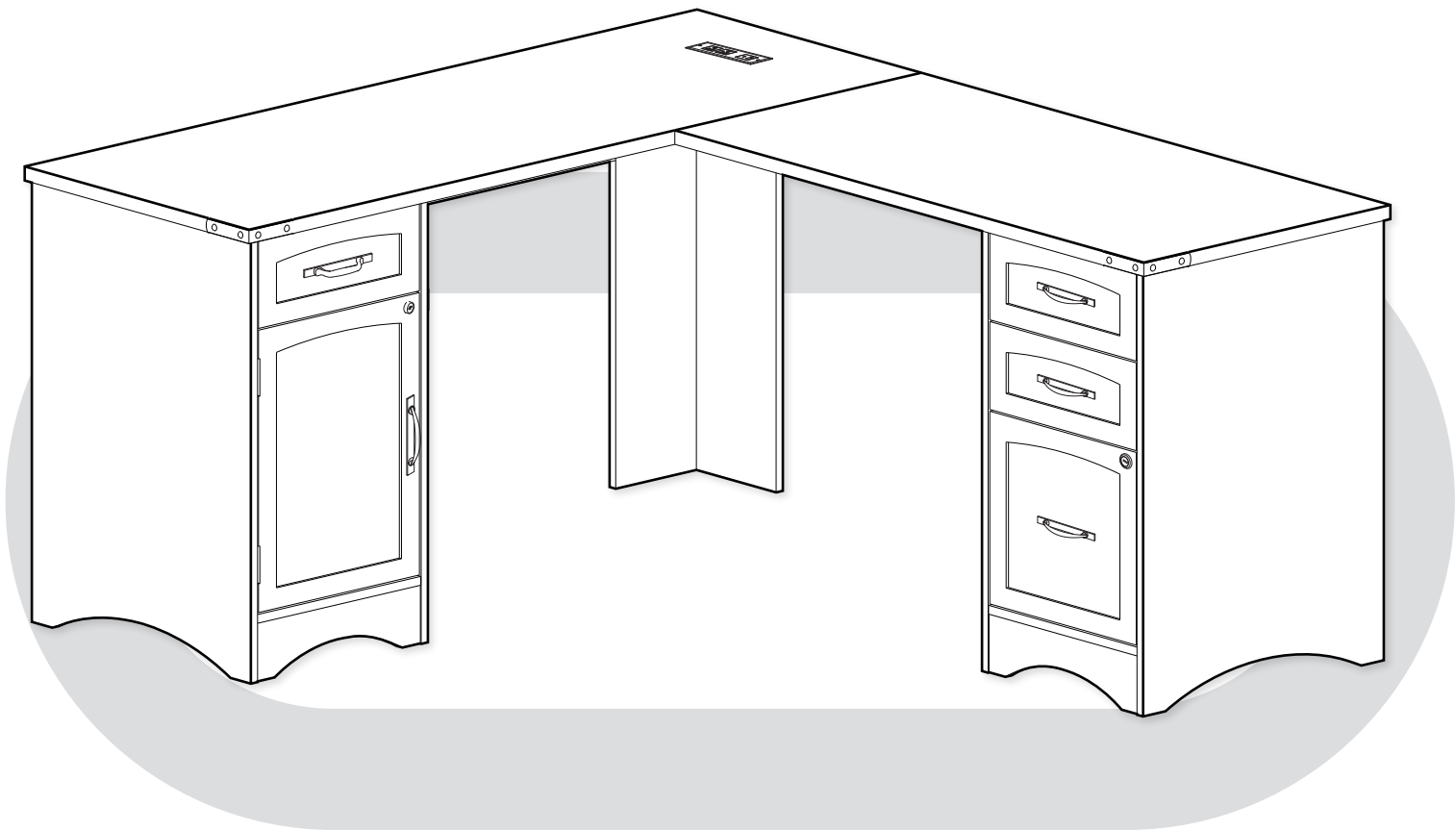


EXECUTIVE DESK

ASSEMBLY INSTRUCTIONS

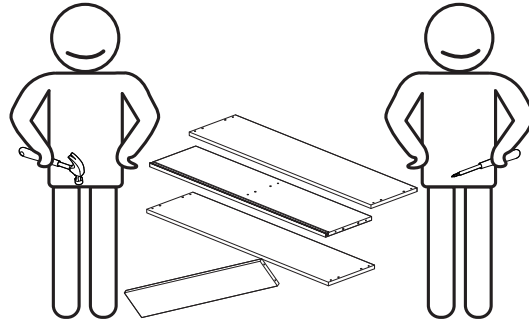
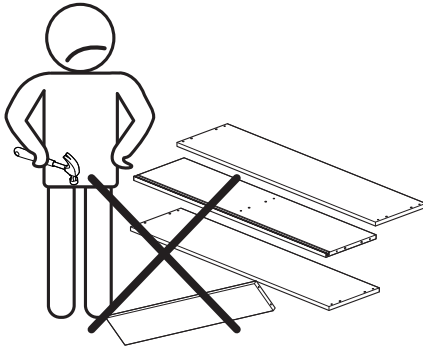




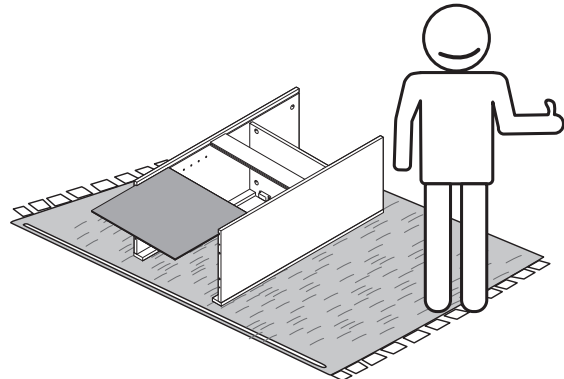
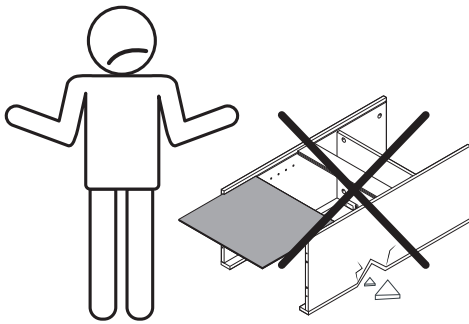
⚠ WARNING

Children have died from furniture tipover. To reduce the risk of furniture tipover:

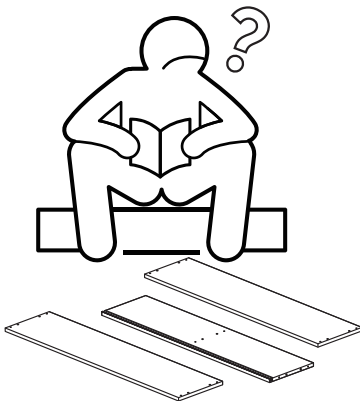
- NEVER allow children to stand, climb or hang on drawers, doors, or shelves.
- NEVER open more than one drawer at a time.
- Place heaviest items in the lowest drawer.
- Read and follow all assembly instructions.



We recommend at least 2 people for the assembly.



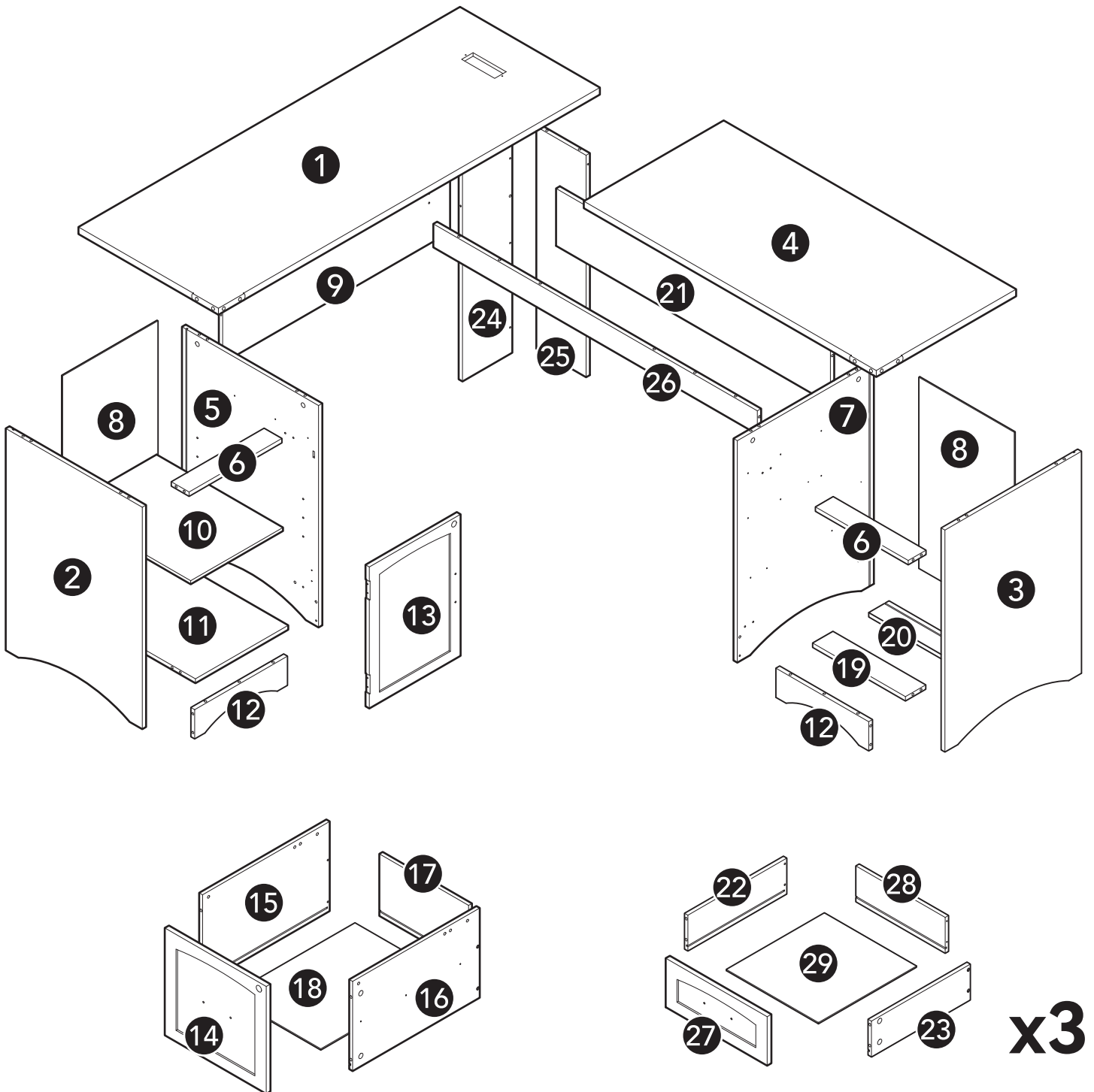
To prevent any damage during assembly, place a mat under the pieces.



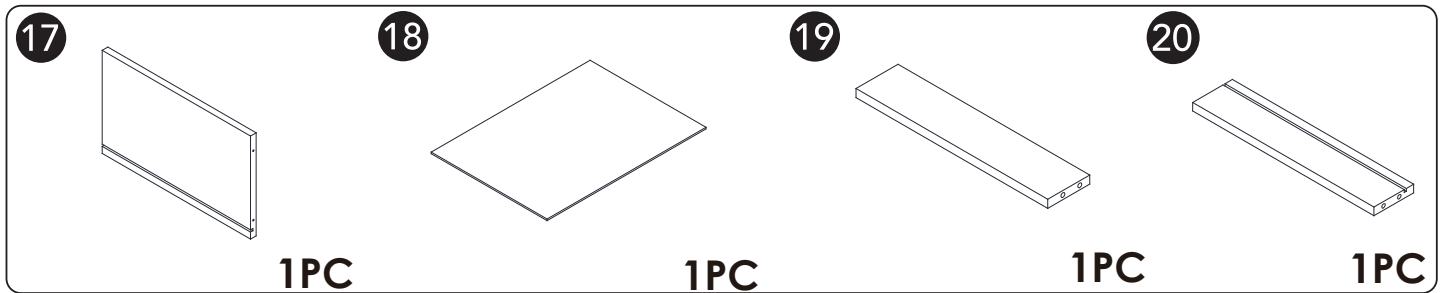
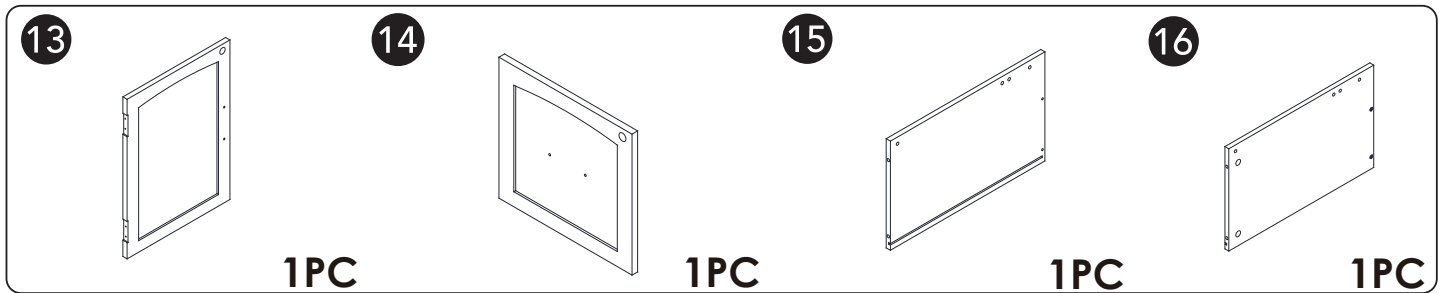
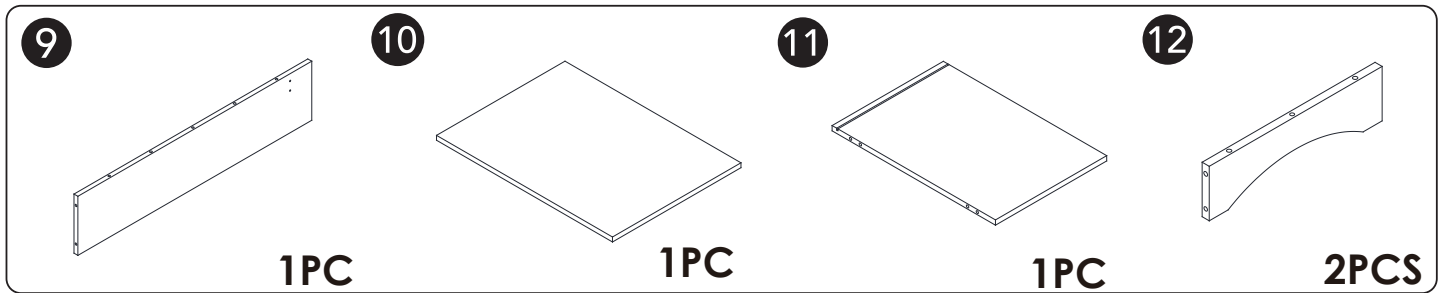
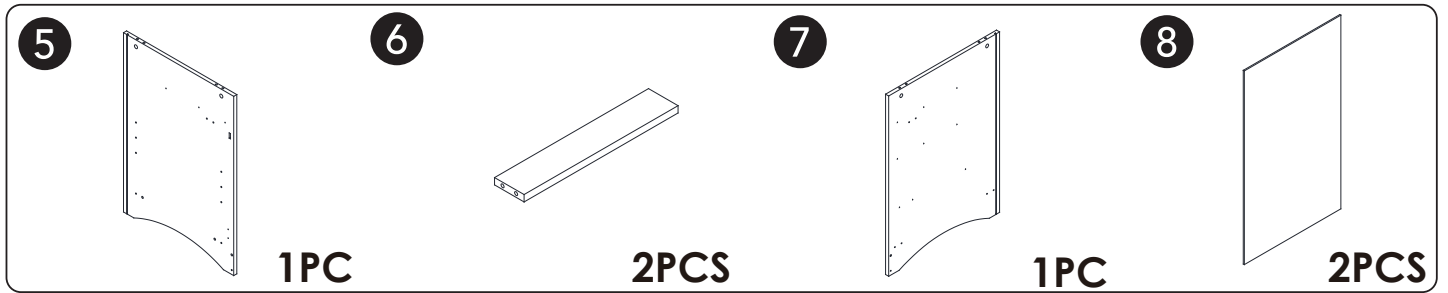
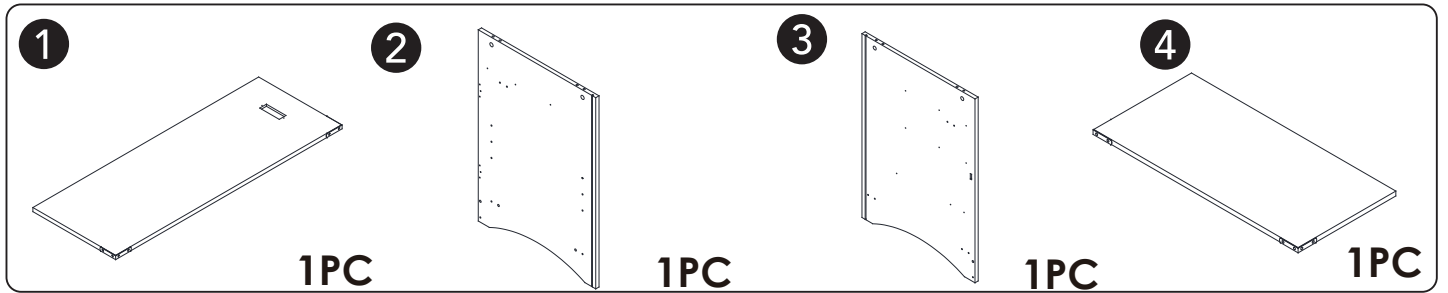
PARTS DIAGRAM



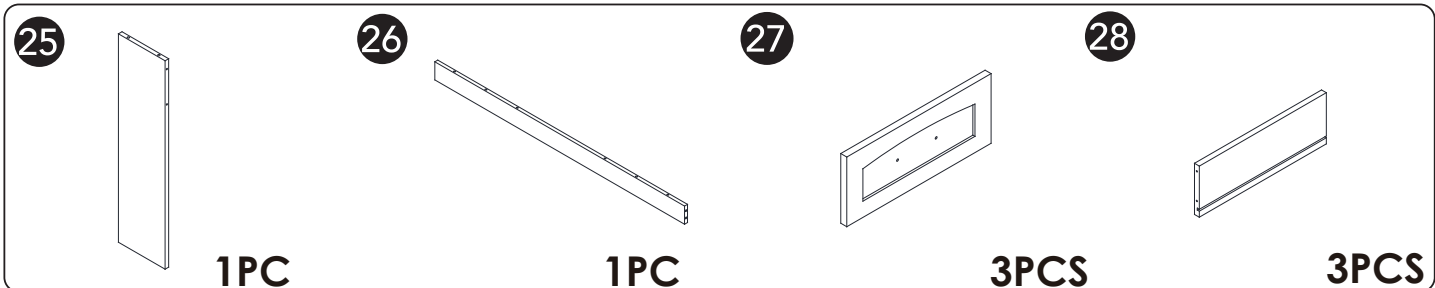
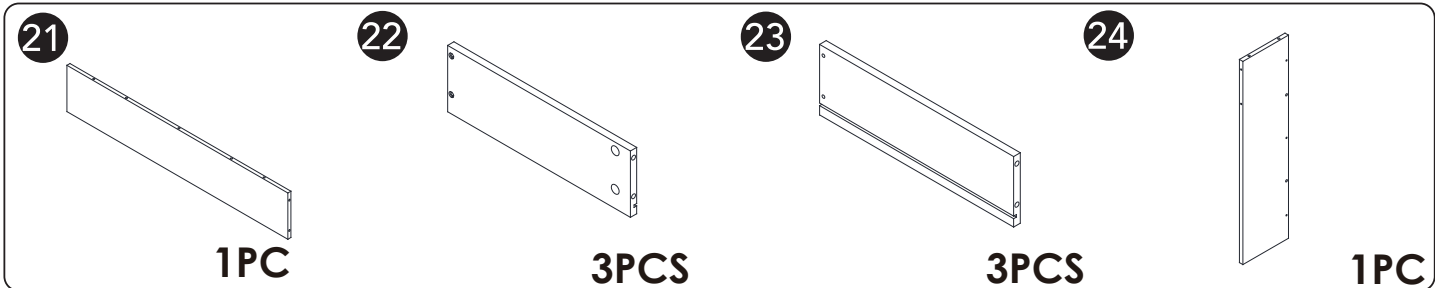
Check if all parts and hardwares are included.



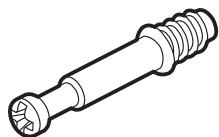
HARDWARES



HARDWARES



HARDWARES



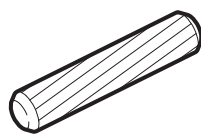
M6x35mm

A x 79



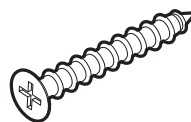
M15x10mm

B x 79



Ø8x30mm

C x 36

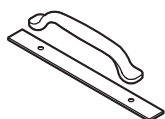


M4x35mm

D x 16



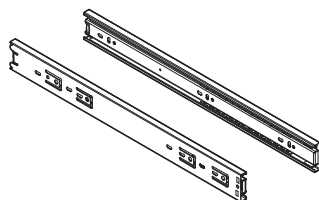
E x 4



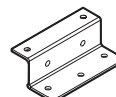
F x 5



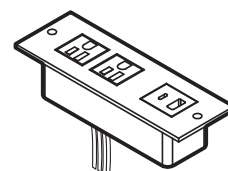
G x 2



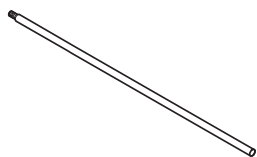
H x 1



I x 2



J x 1



K x 2



M3x16mm

L x 10



M x 8



M4x8mm

N x 8



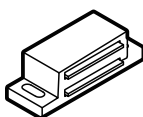
M4x20mm

O x 2



M3x12mm

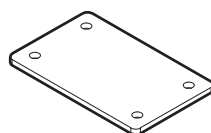
P x 65



Q x 1



R x 1



S x 2

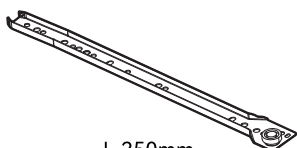


M4x16mm

T x 8

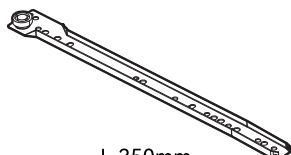


U x 40



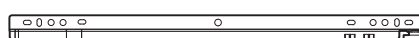
L 350mm

CR x 3



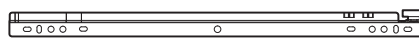
L 350mm

CL x 3



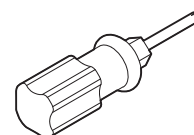
L 350mm

DL x 3



L 350mm

DR x 3

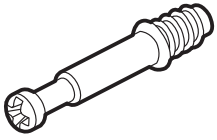


x 1

SPARE PARTS



The spare parts are the additional parts provided in case of missing or damaged ones. Keep the spare parts and tools for future use.



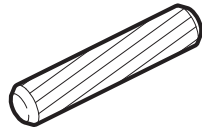
M6x35mm

A x 3



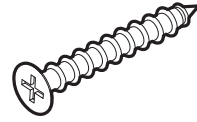
M15x10mm

B x 3



Ø8x30mm

C x 3



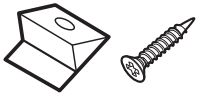
M4x35mm

D x 3



M3x16mm

L x 2



M x 1



M4x8mm

N x 1



M3x12mm

P x 3



M4x16mm

T x 1



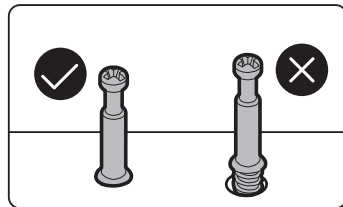
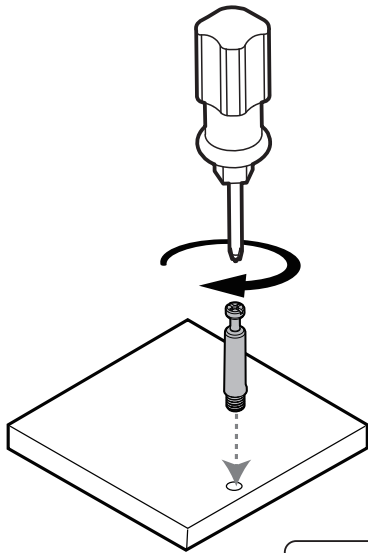
U x 2

CAM LOCK FASTEN SYSTEM

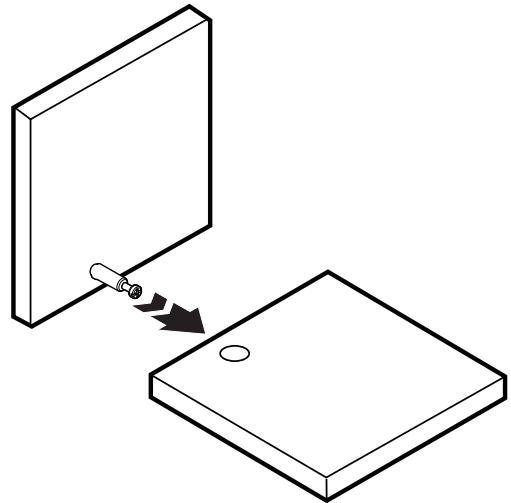


Insert the cam bolt into the hole, then insert the cam lock and tighten.

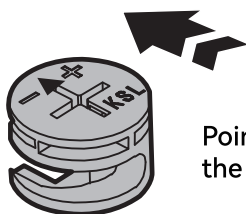
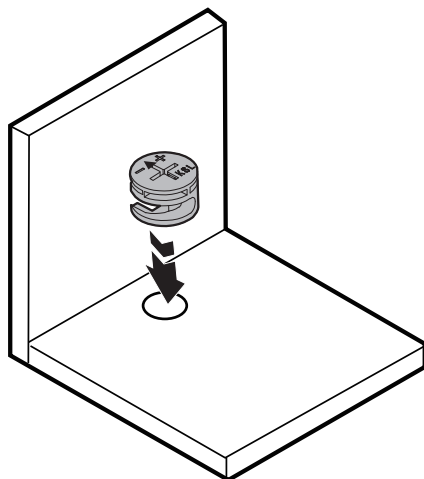
1



2

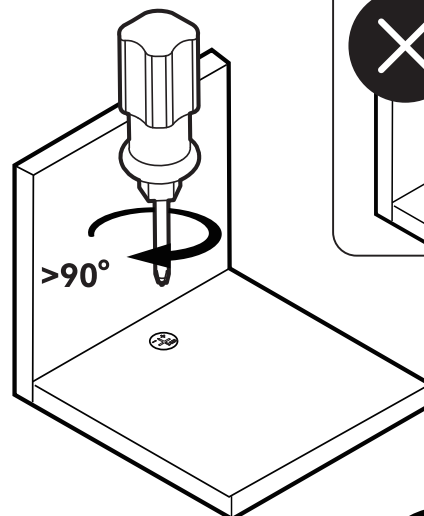


3



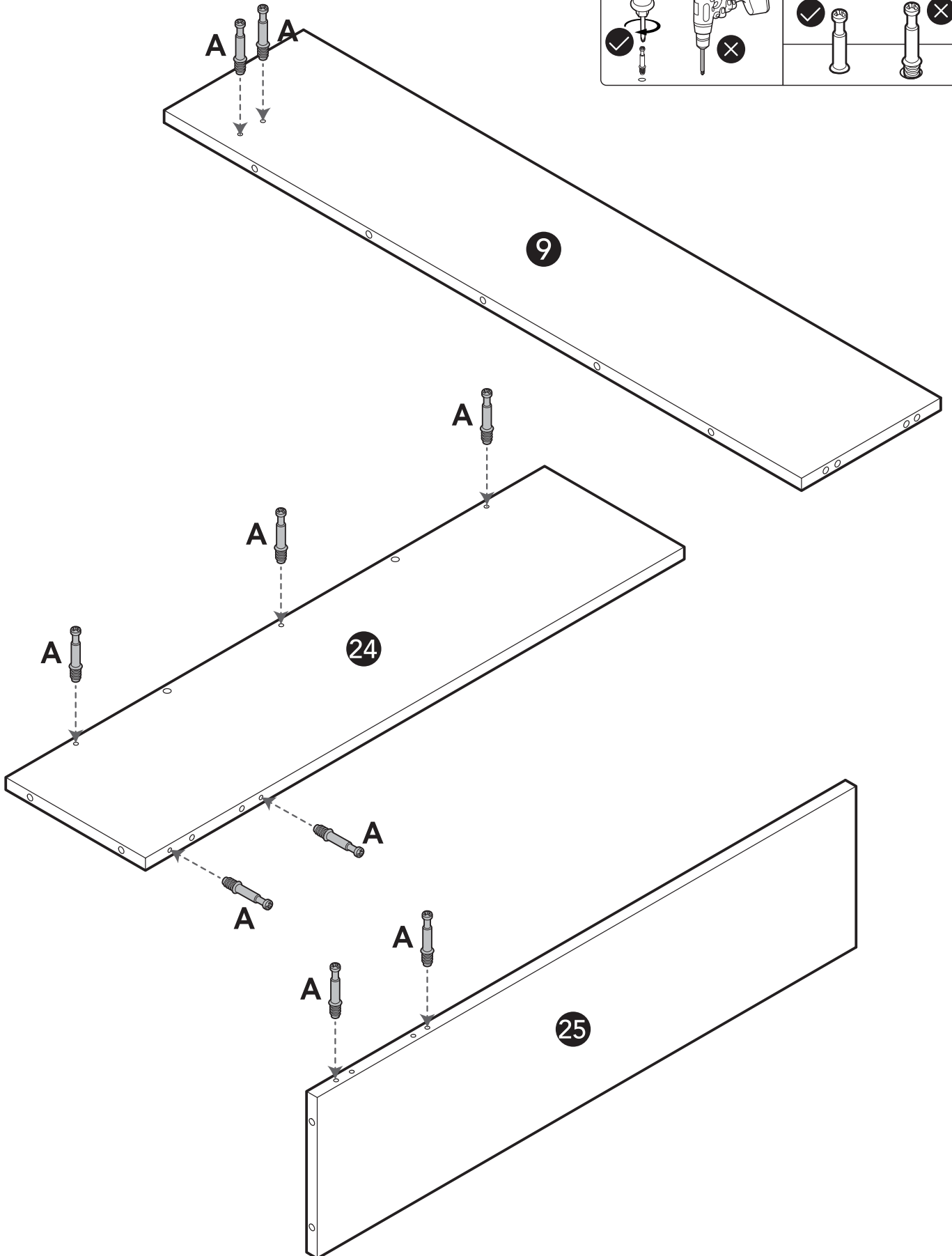
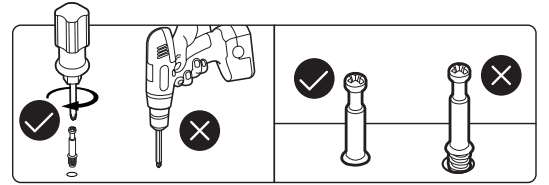
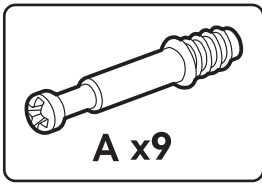
Point the opening towards the edge of the board.

4

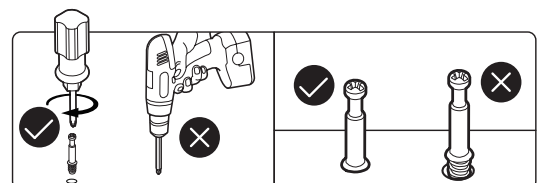
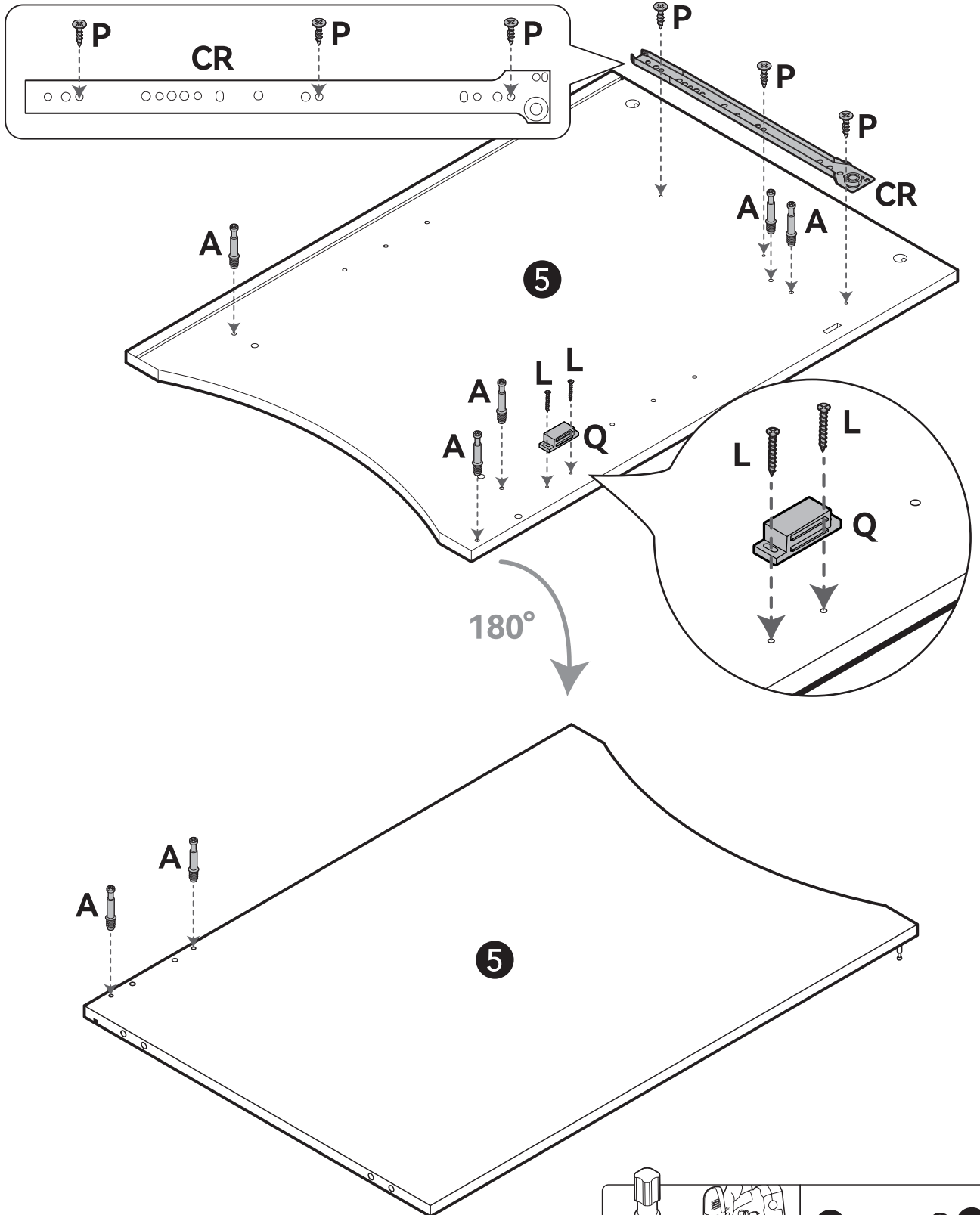
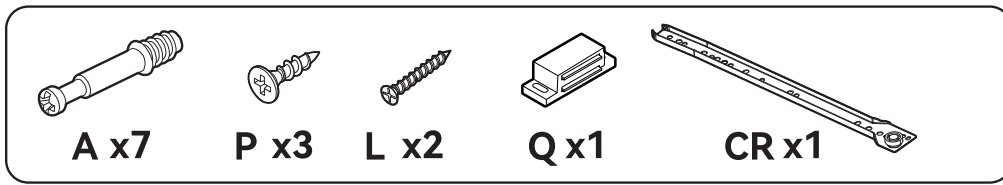


UNLOCK  LOCK

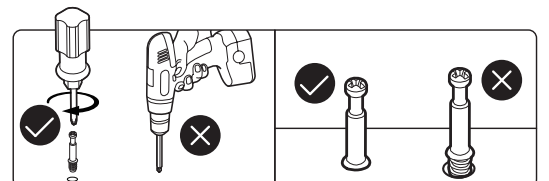
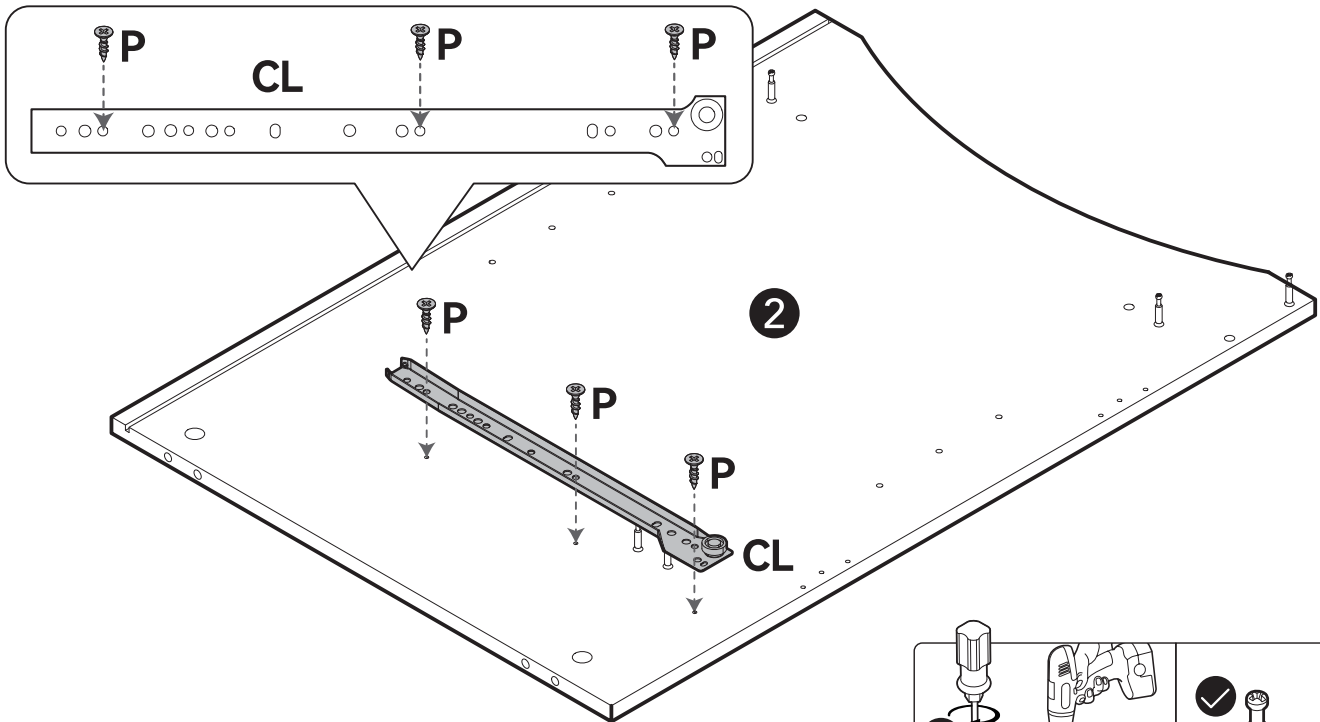
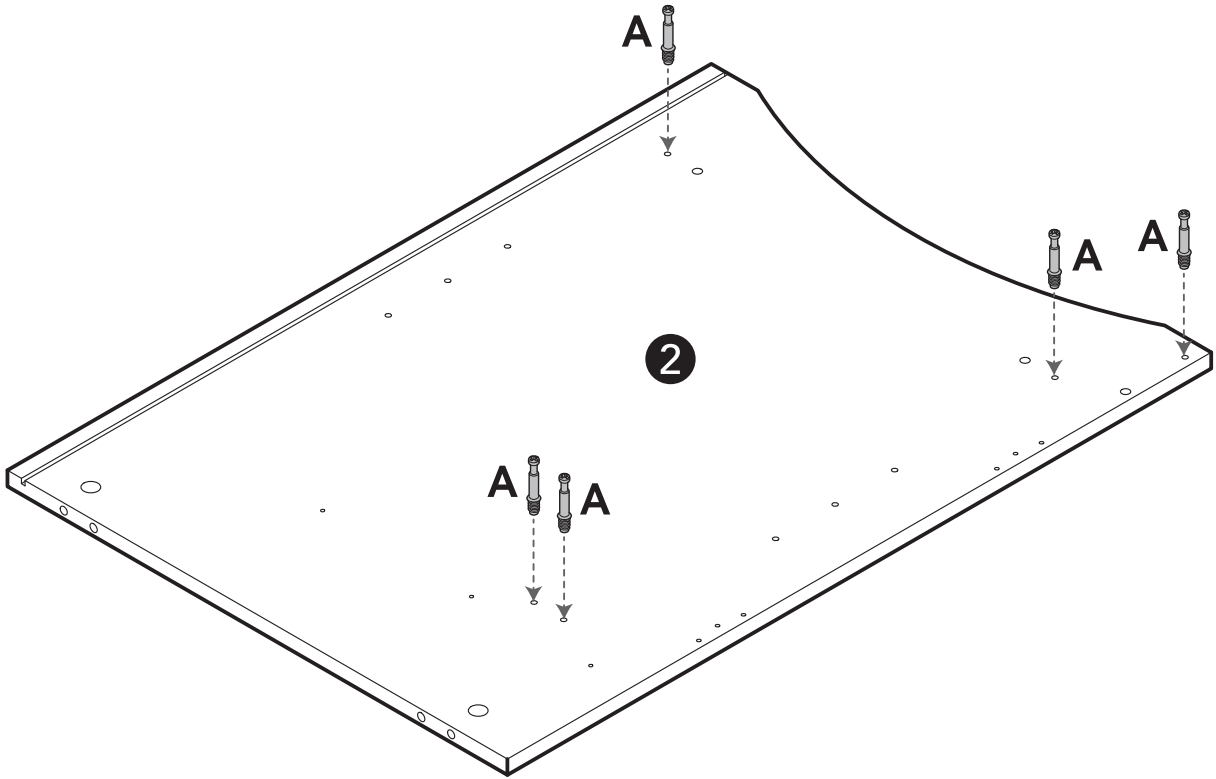
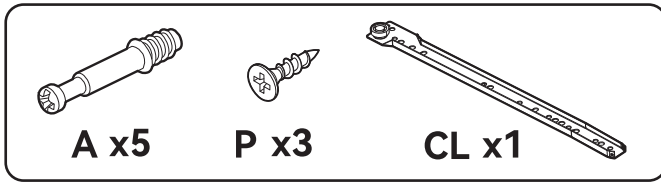
2



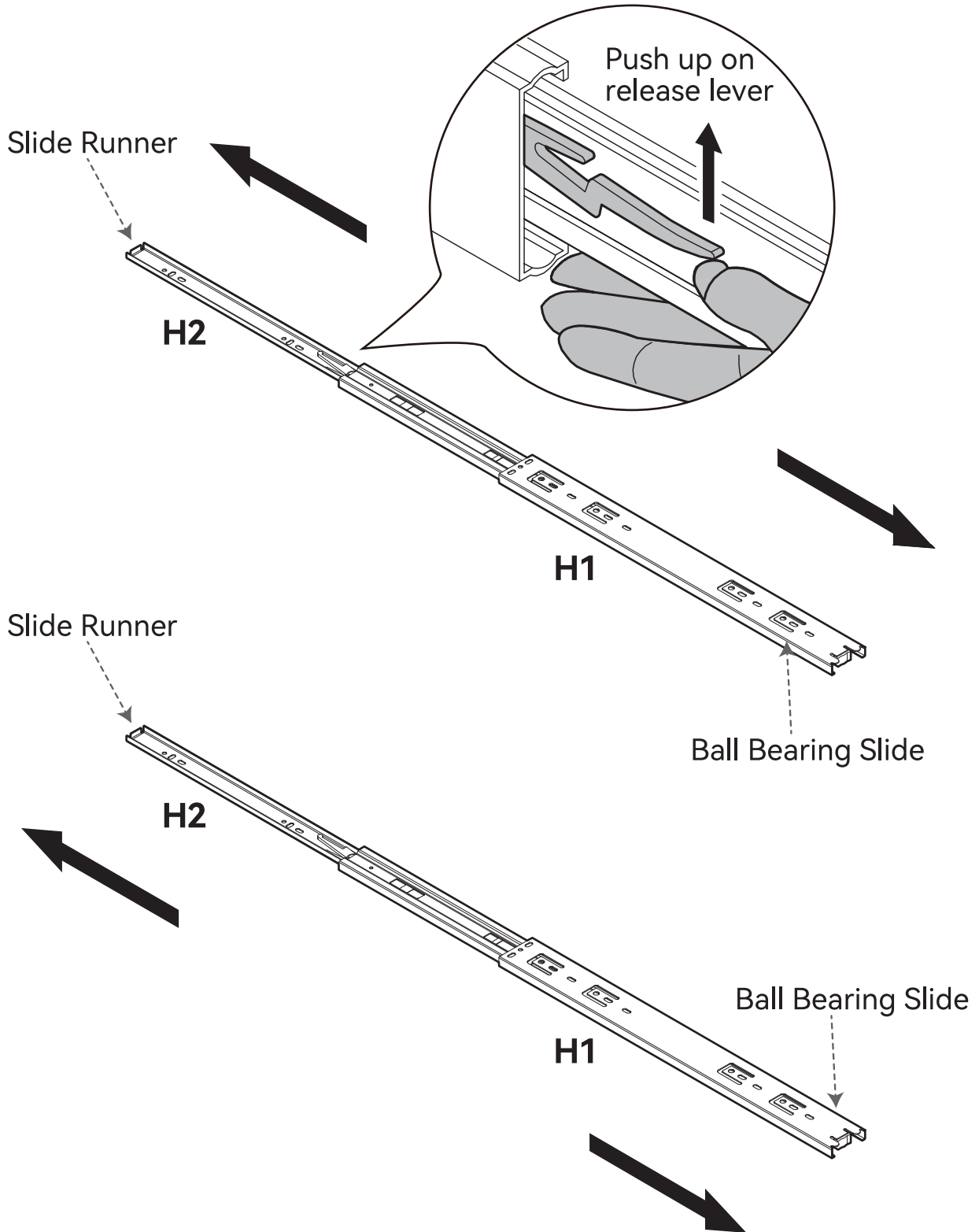
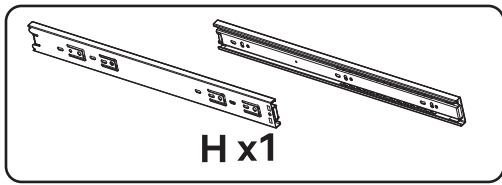
3



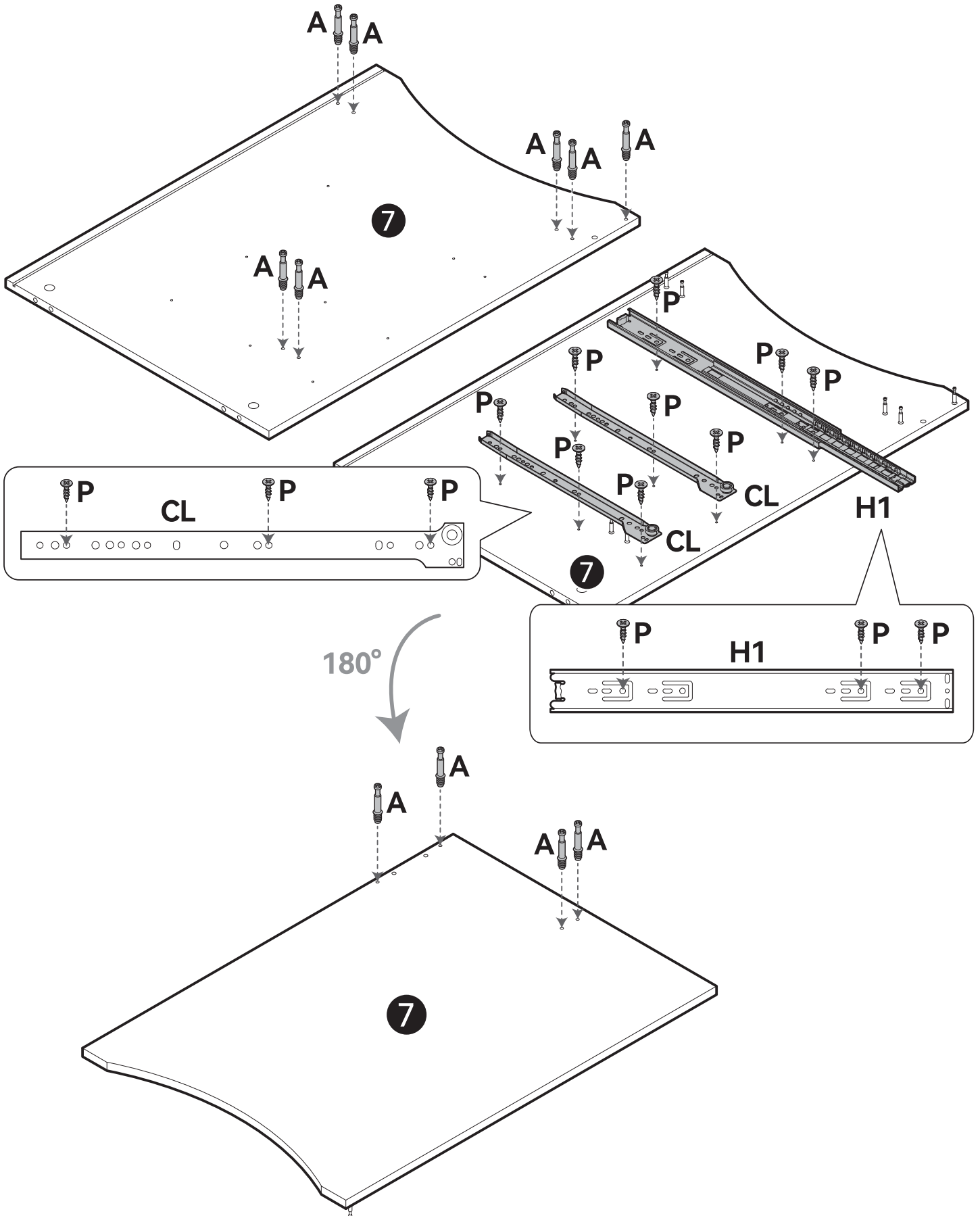
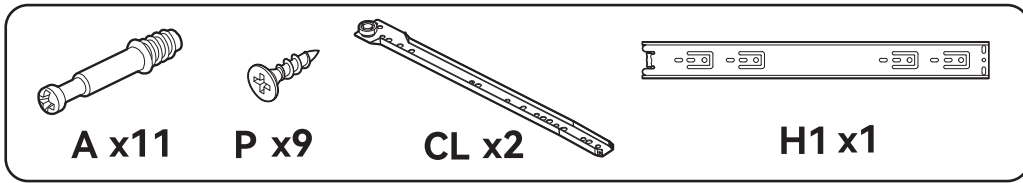
4



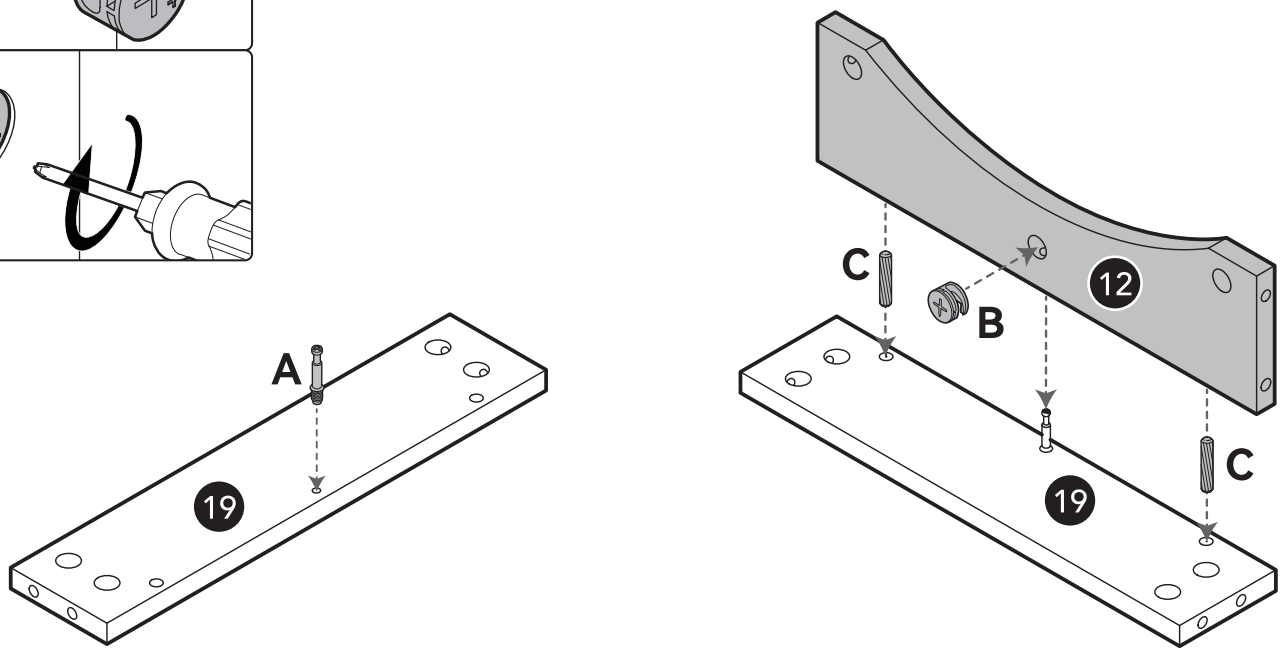
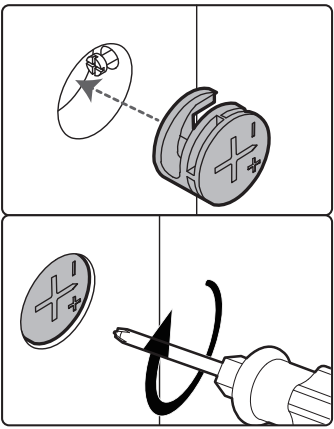
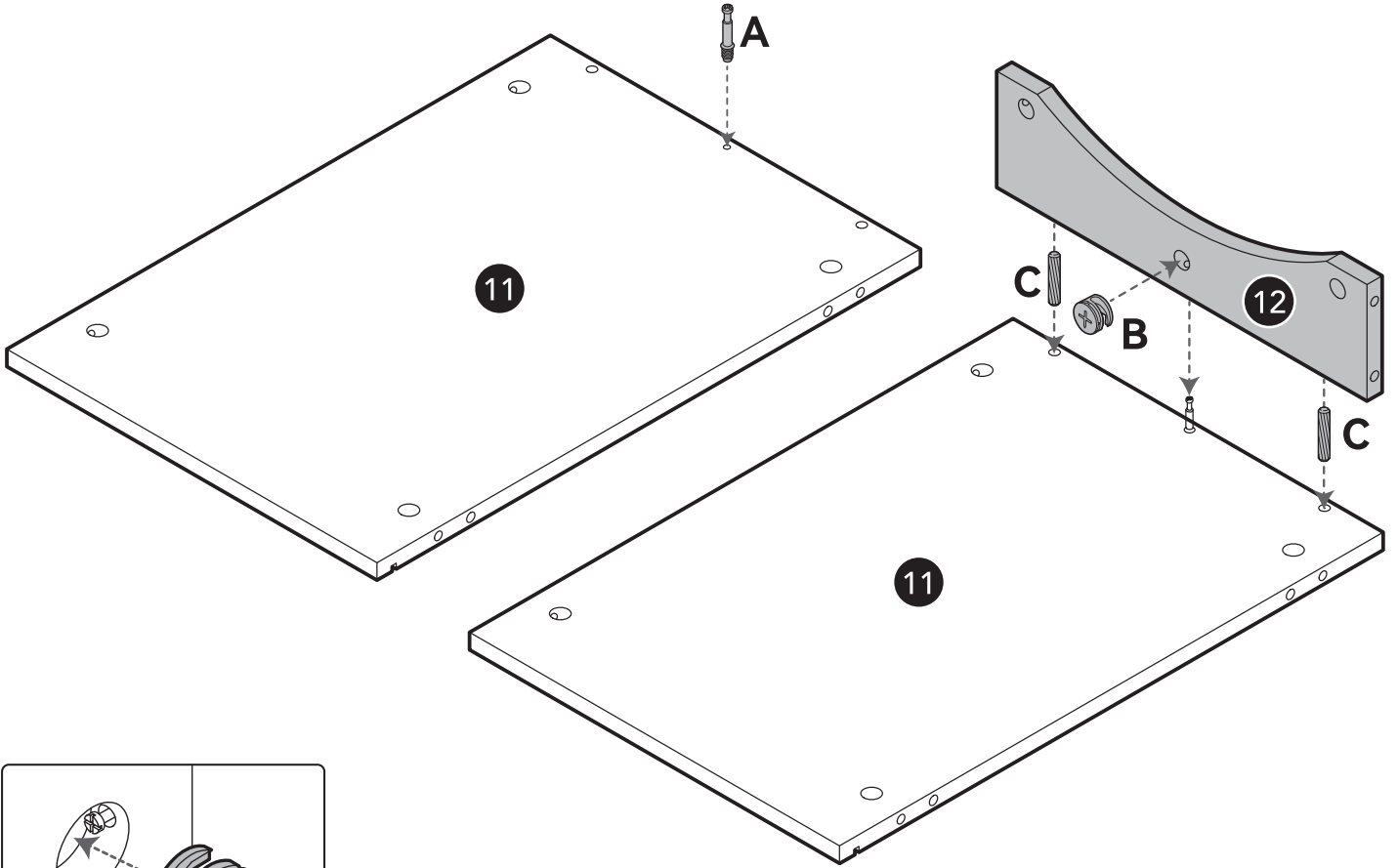
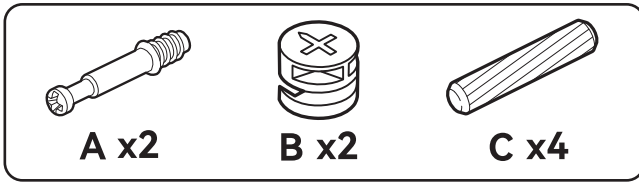
5



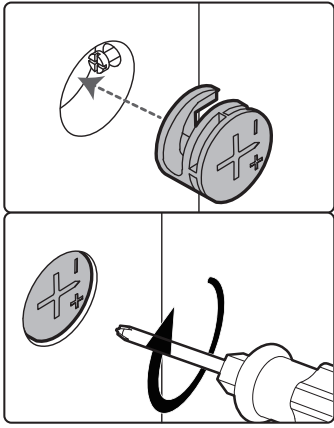
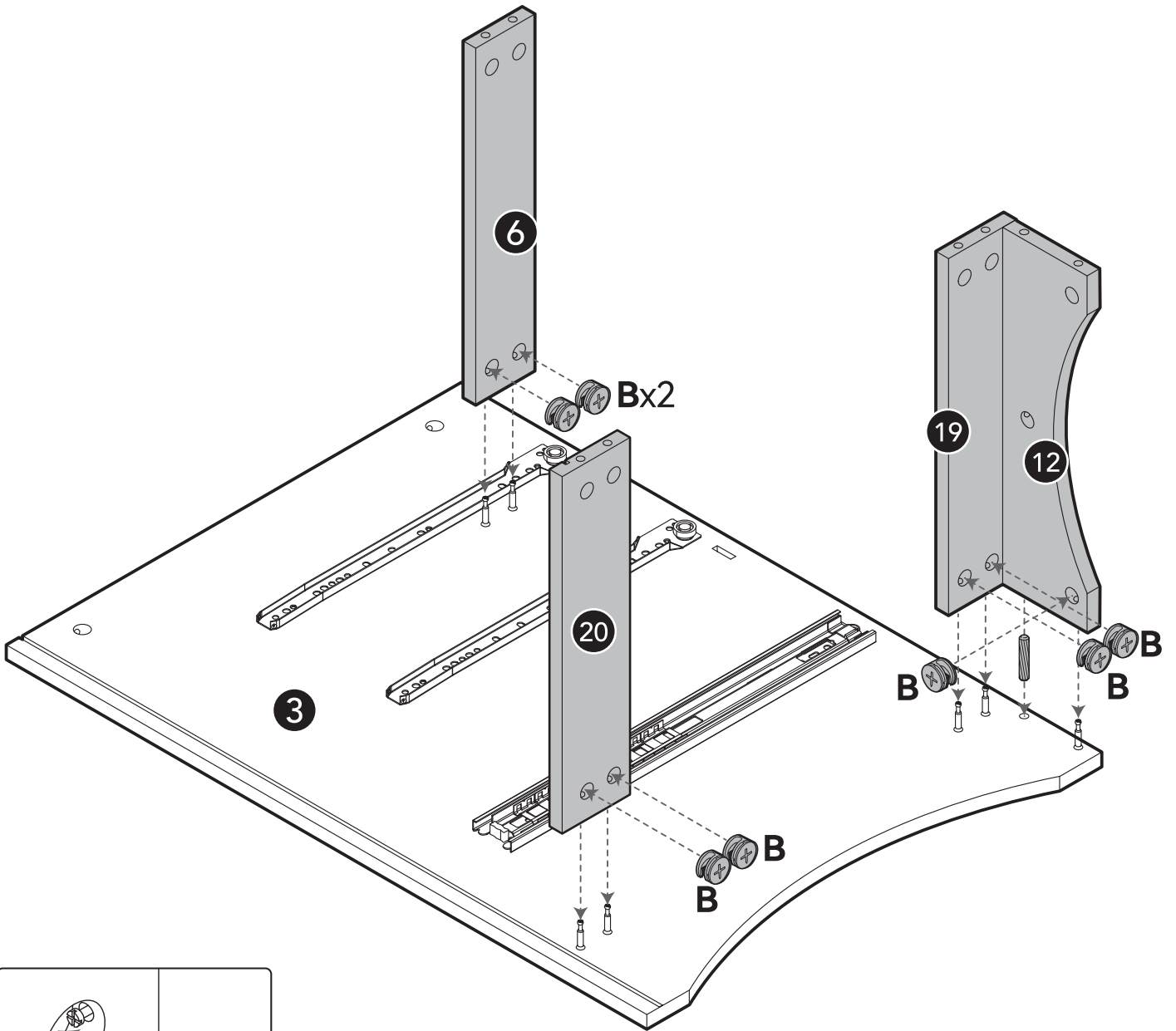
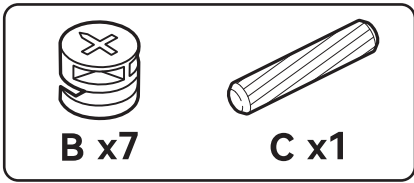
6



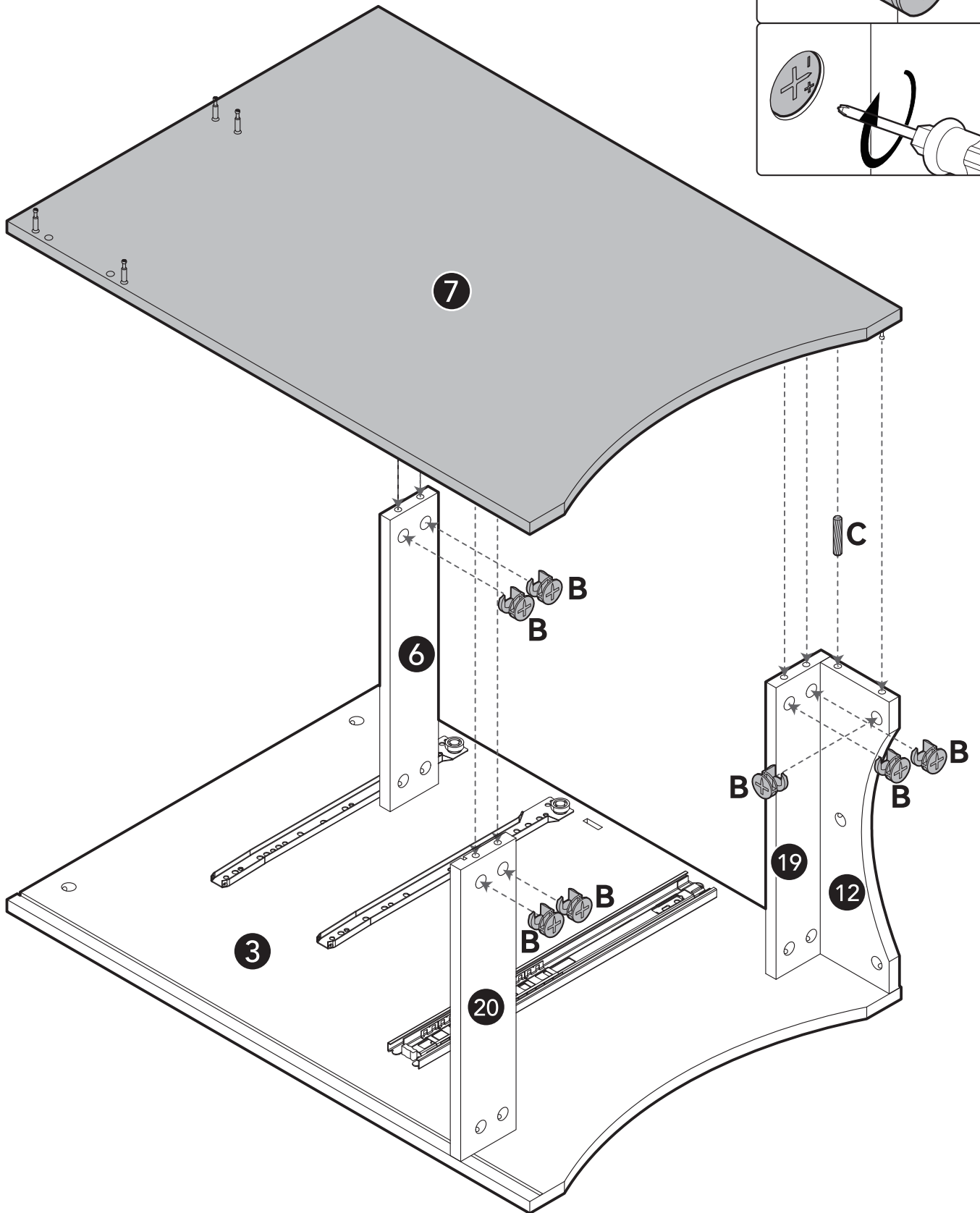
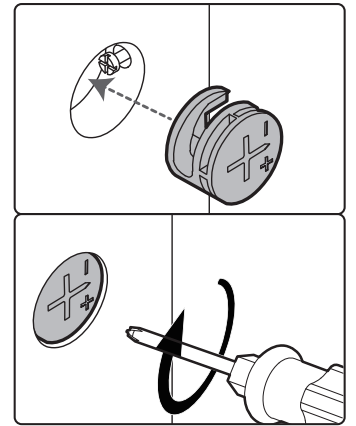
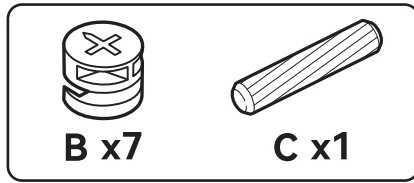
8



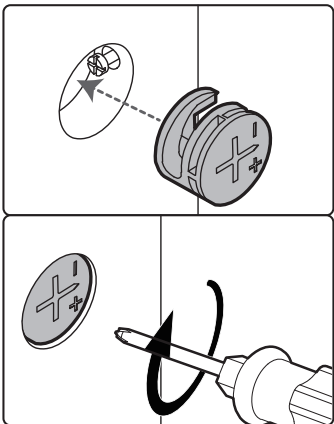
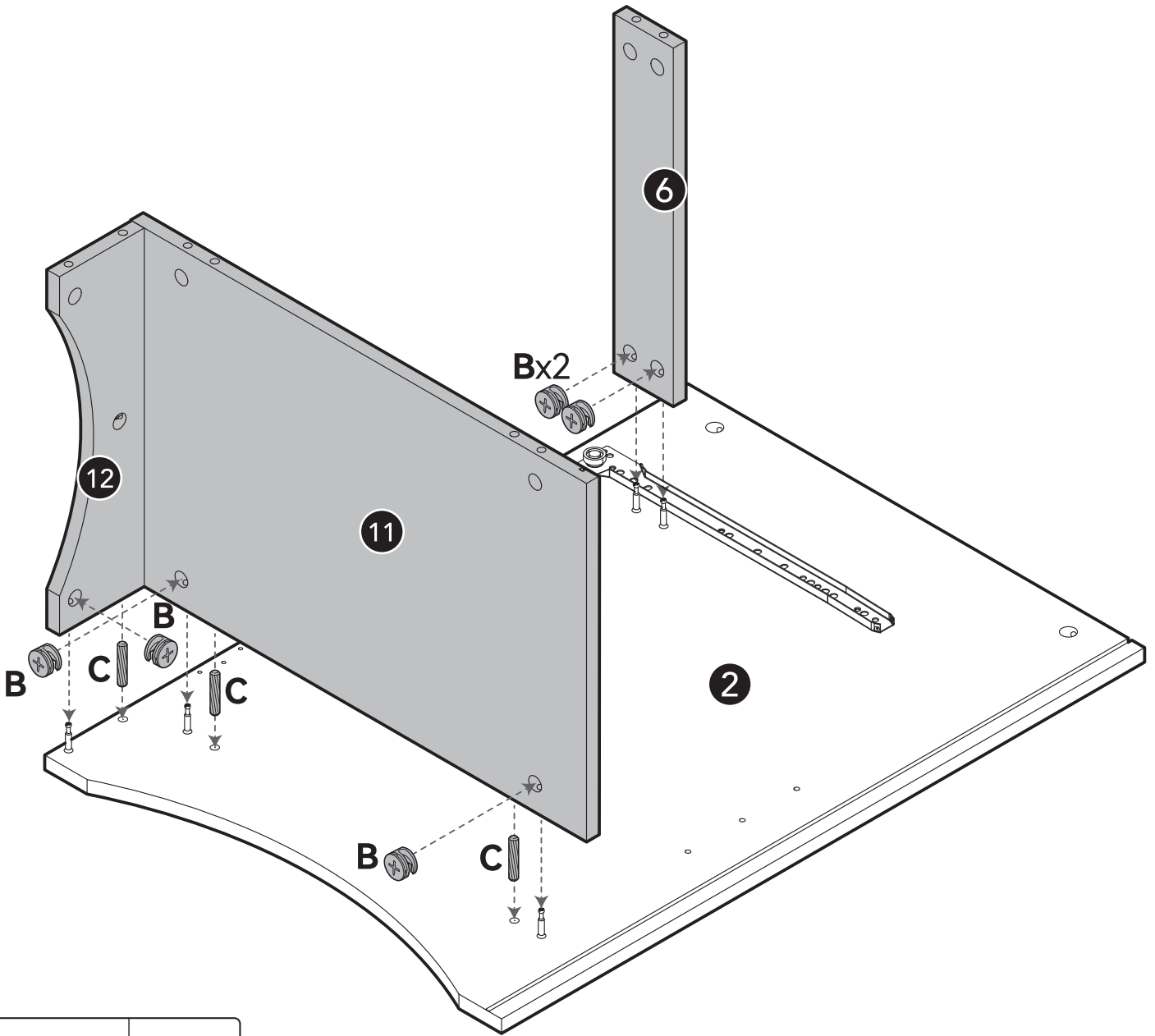
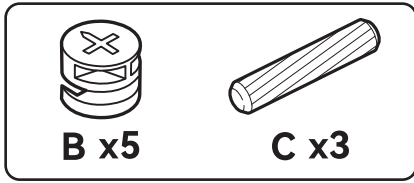
9



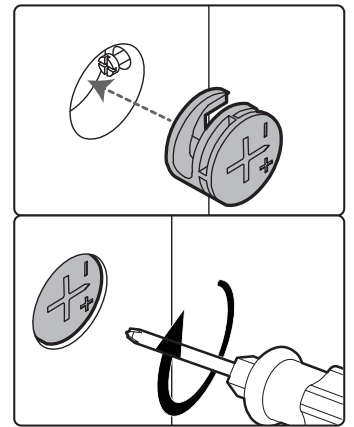
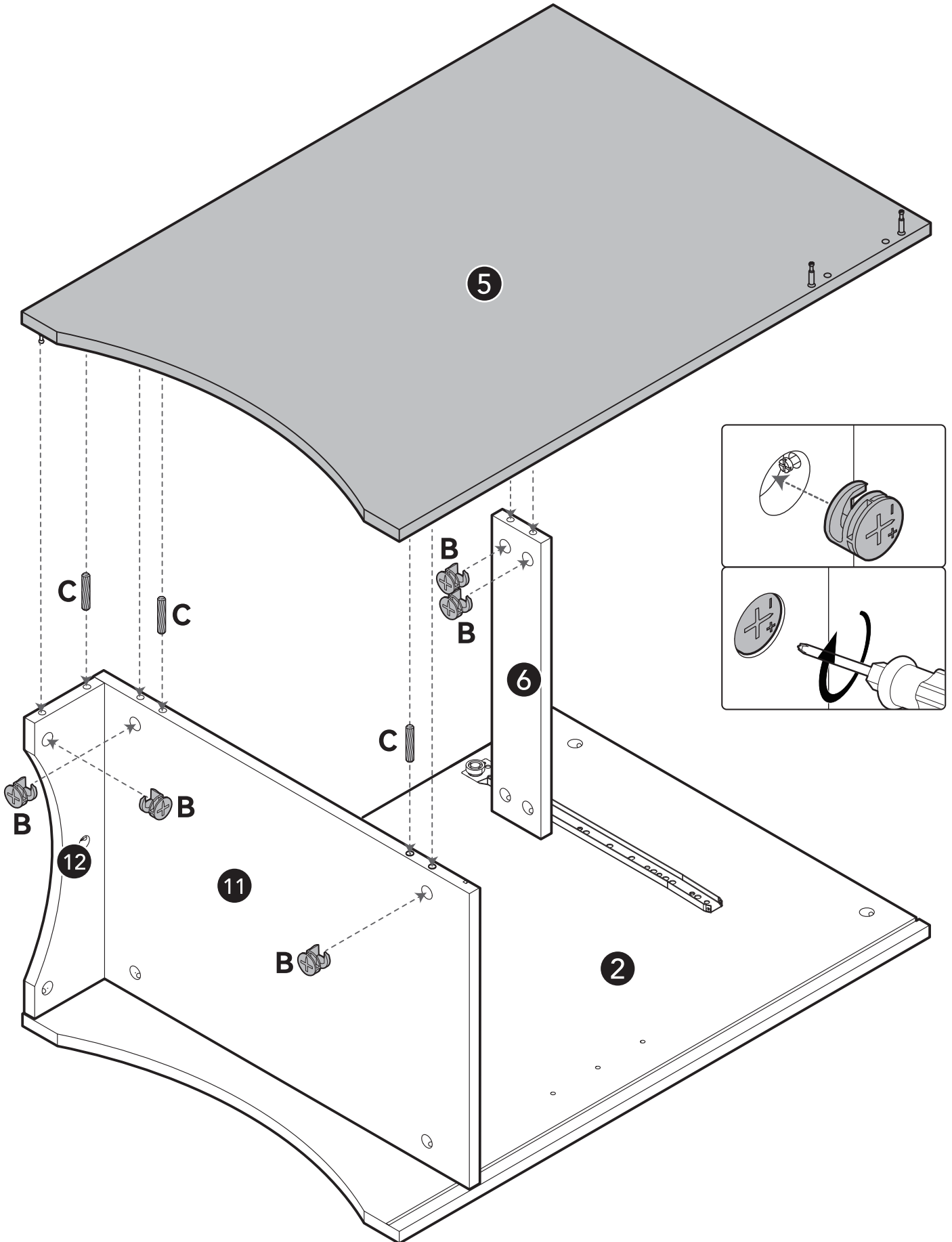
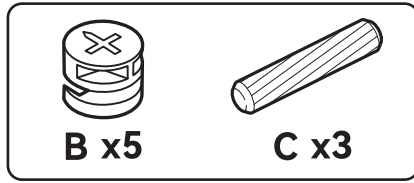
10



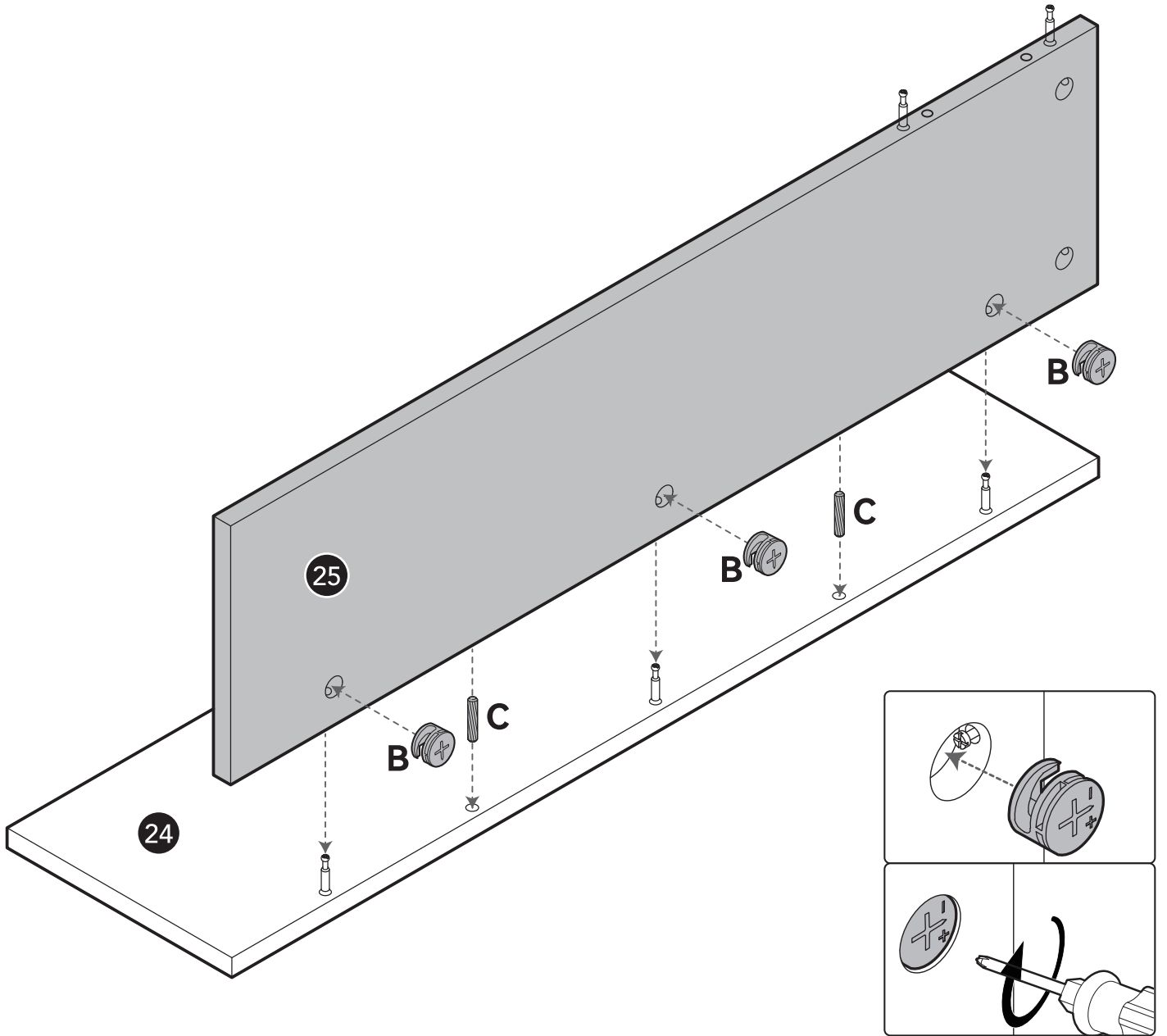
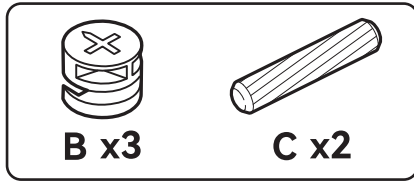
11



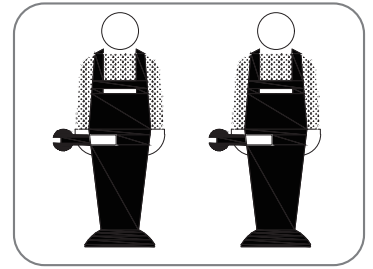
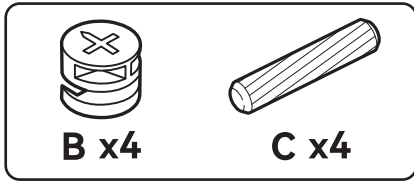
12



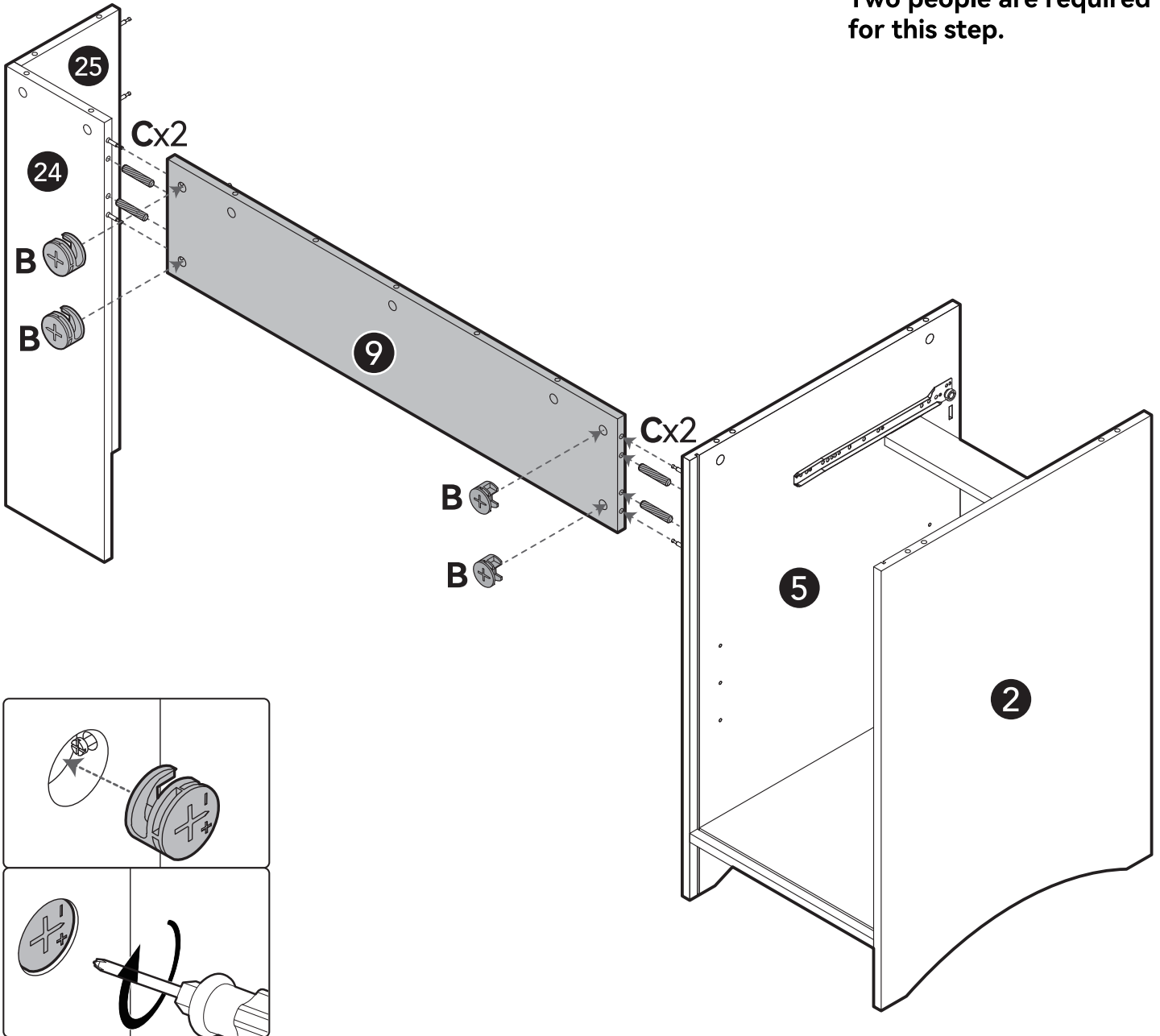
13



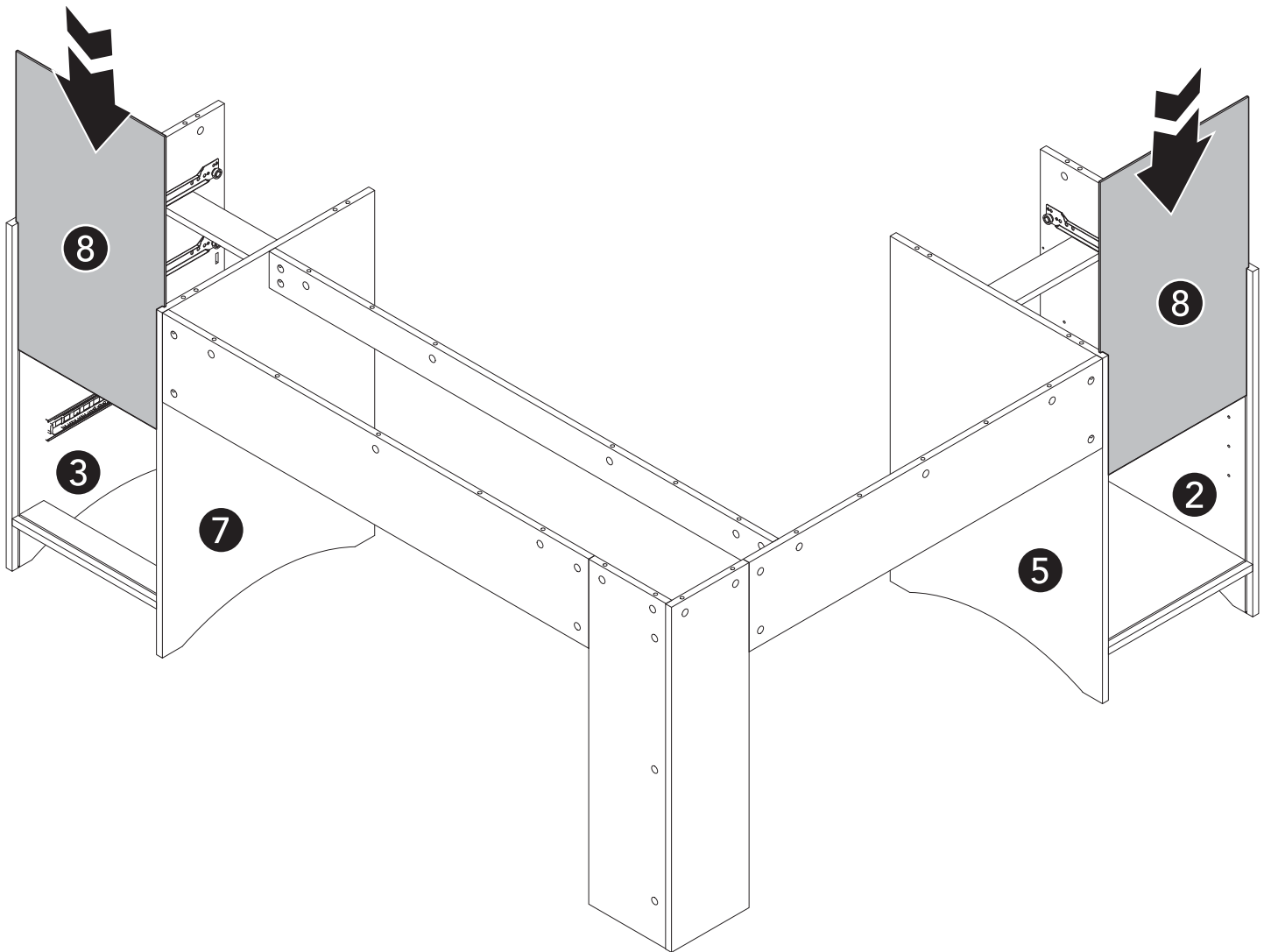
14



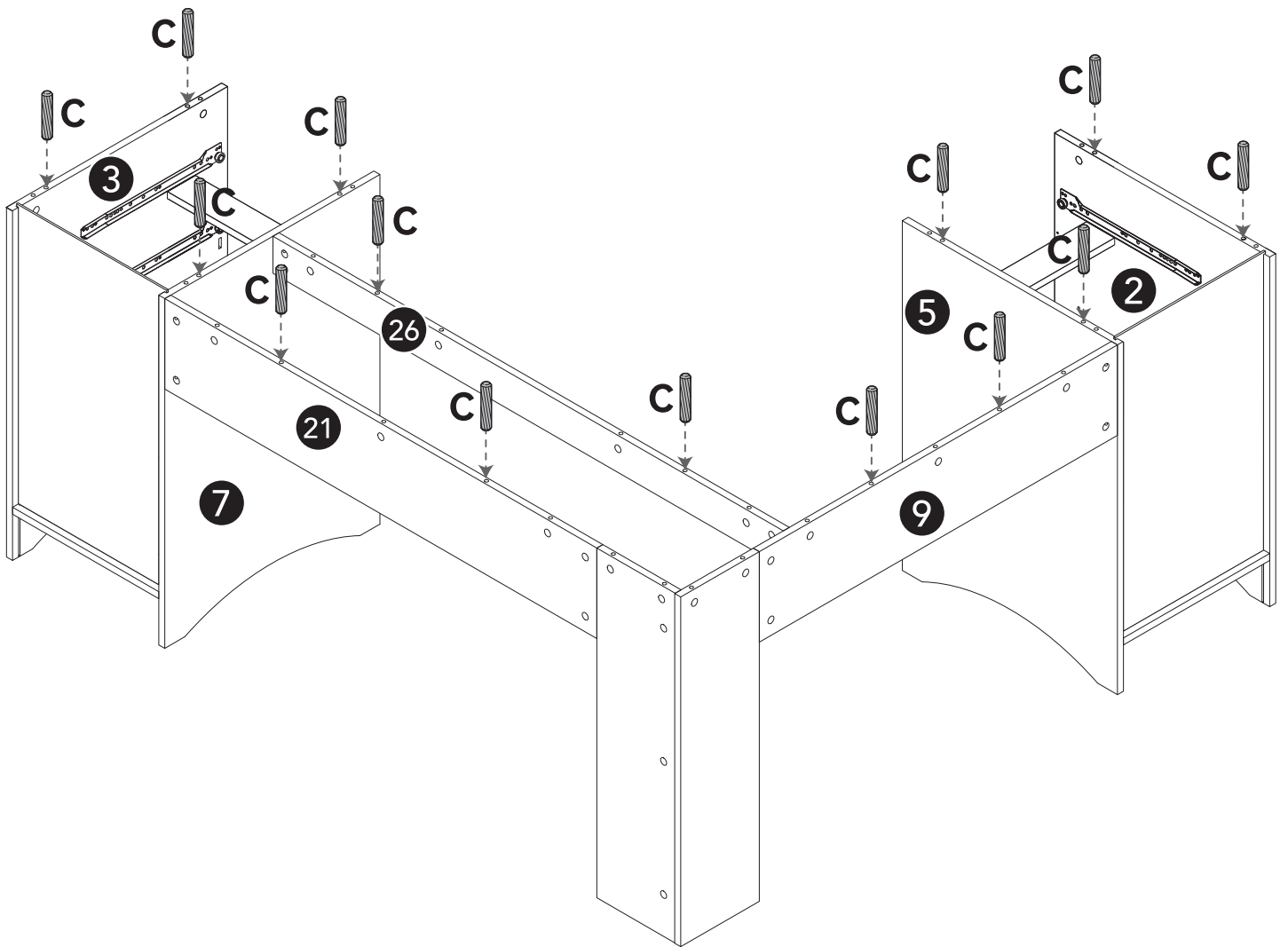
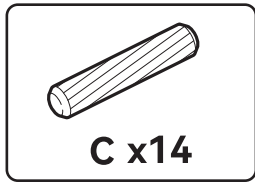
Two people are required for this step.



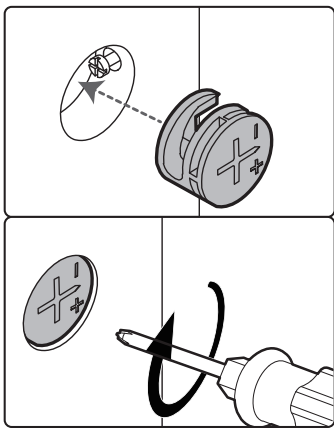
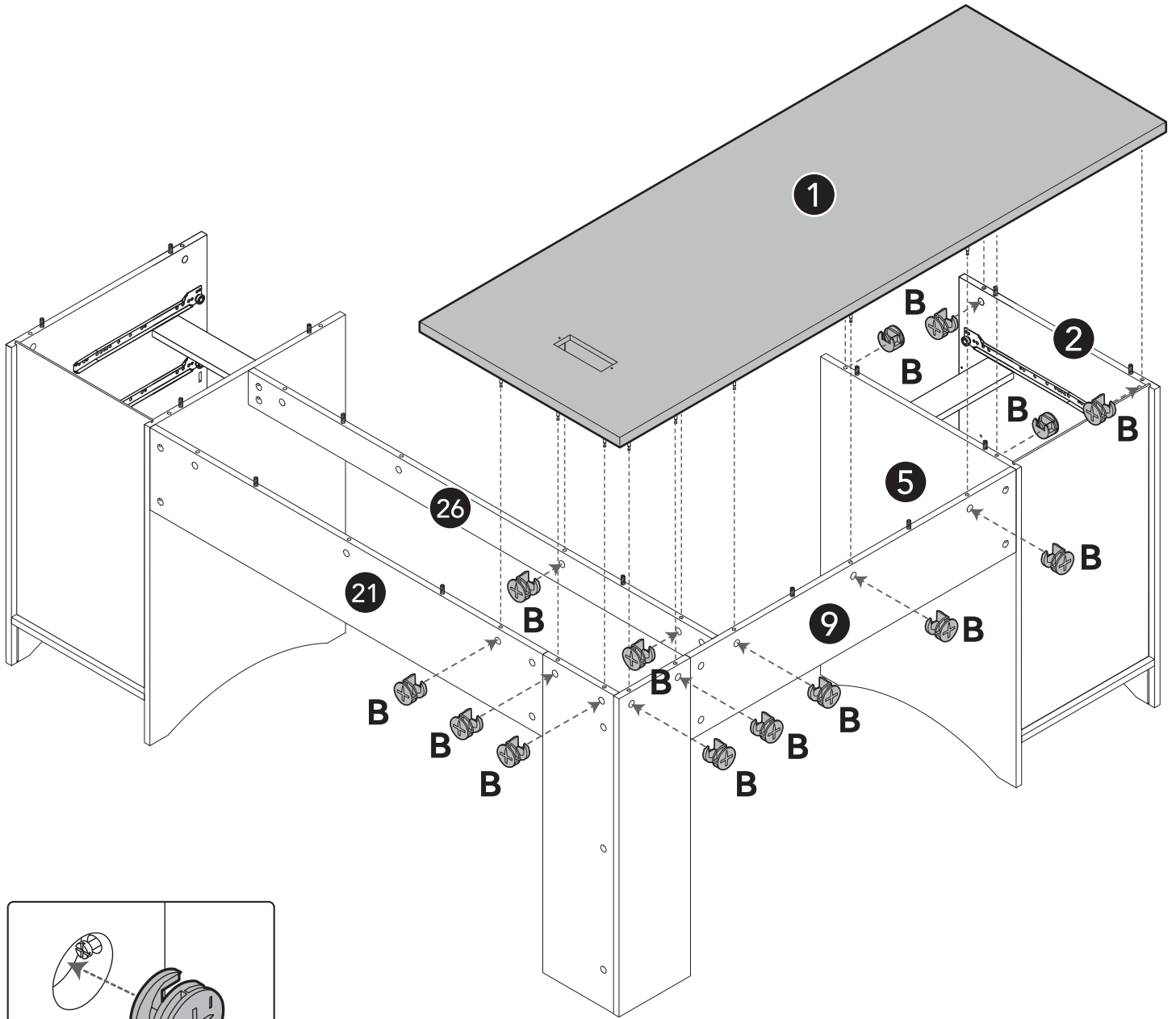
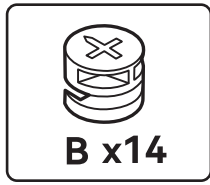
16



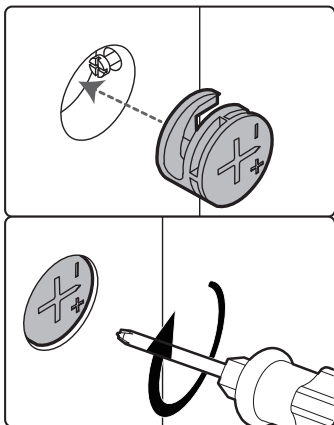
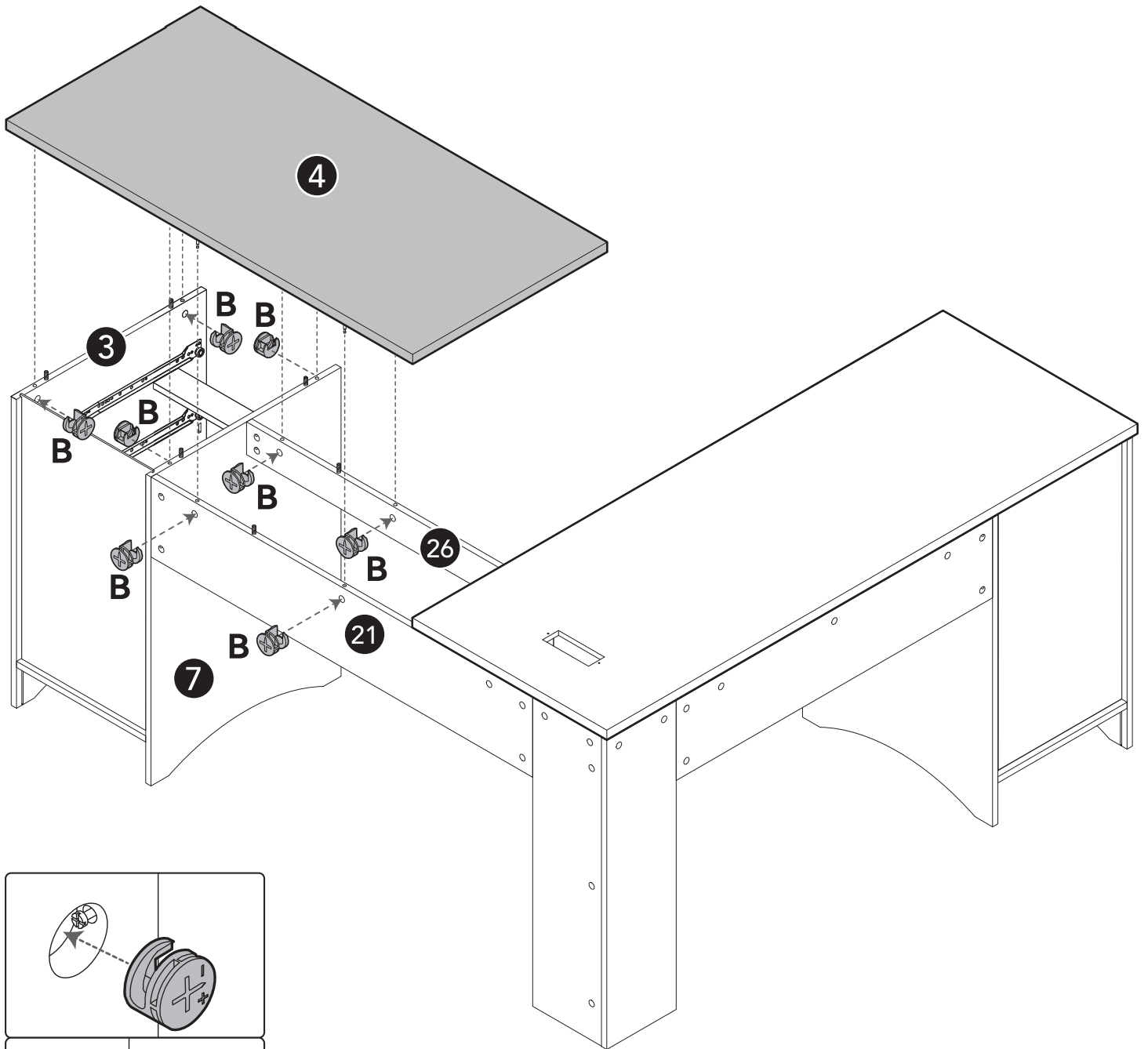
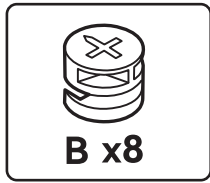
17



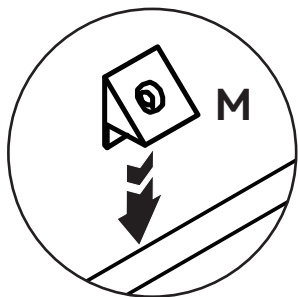
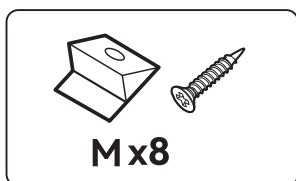
18



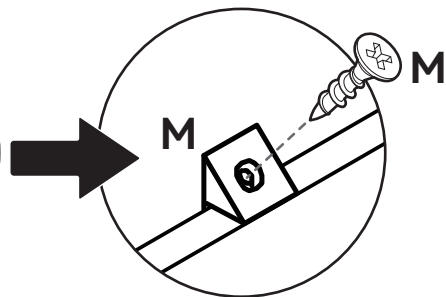
19



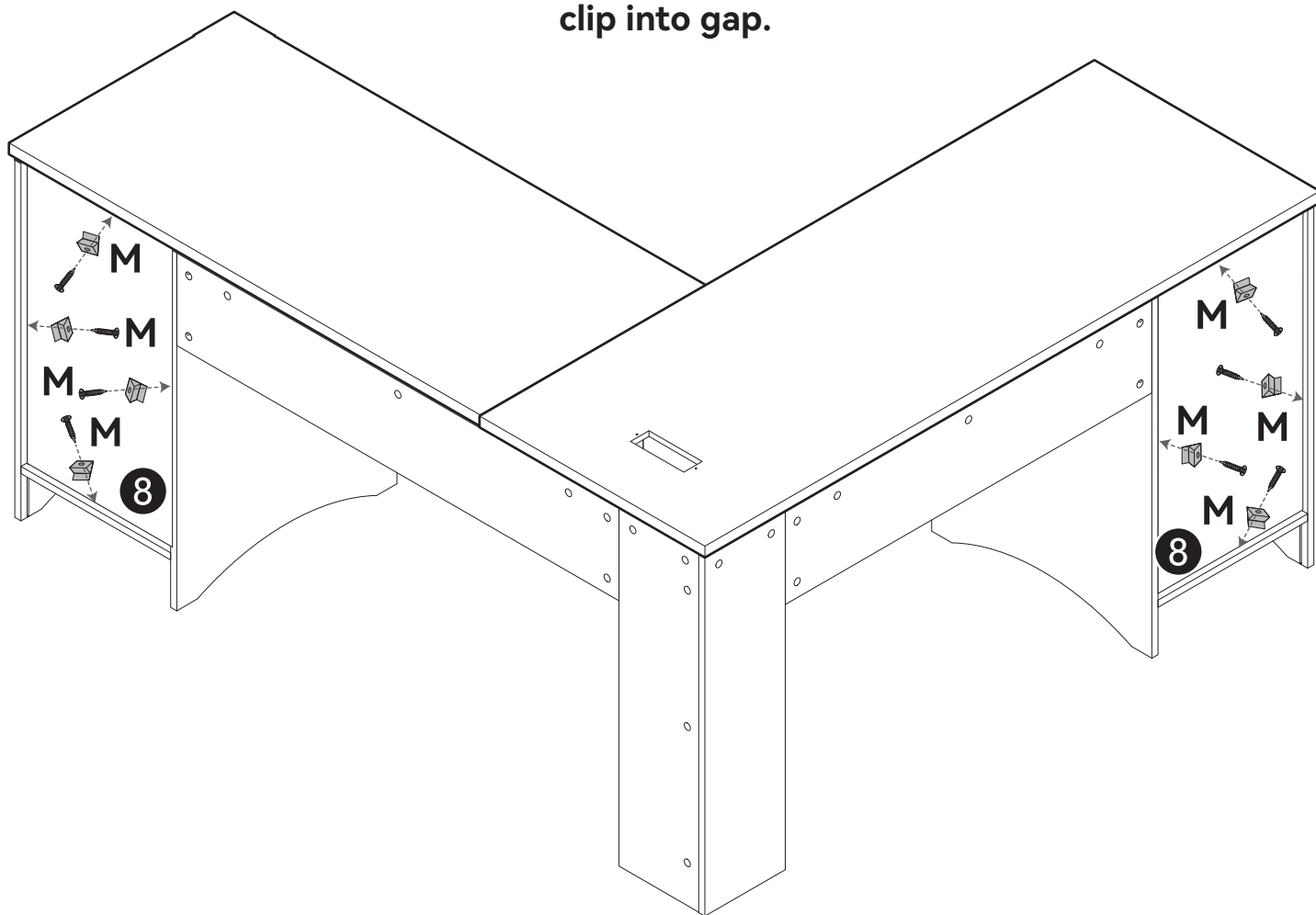
20



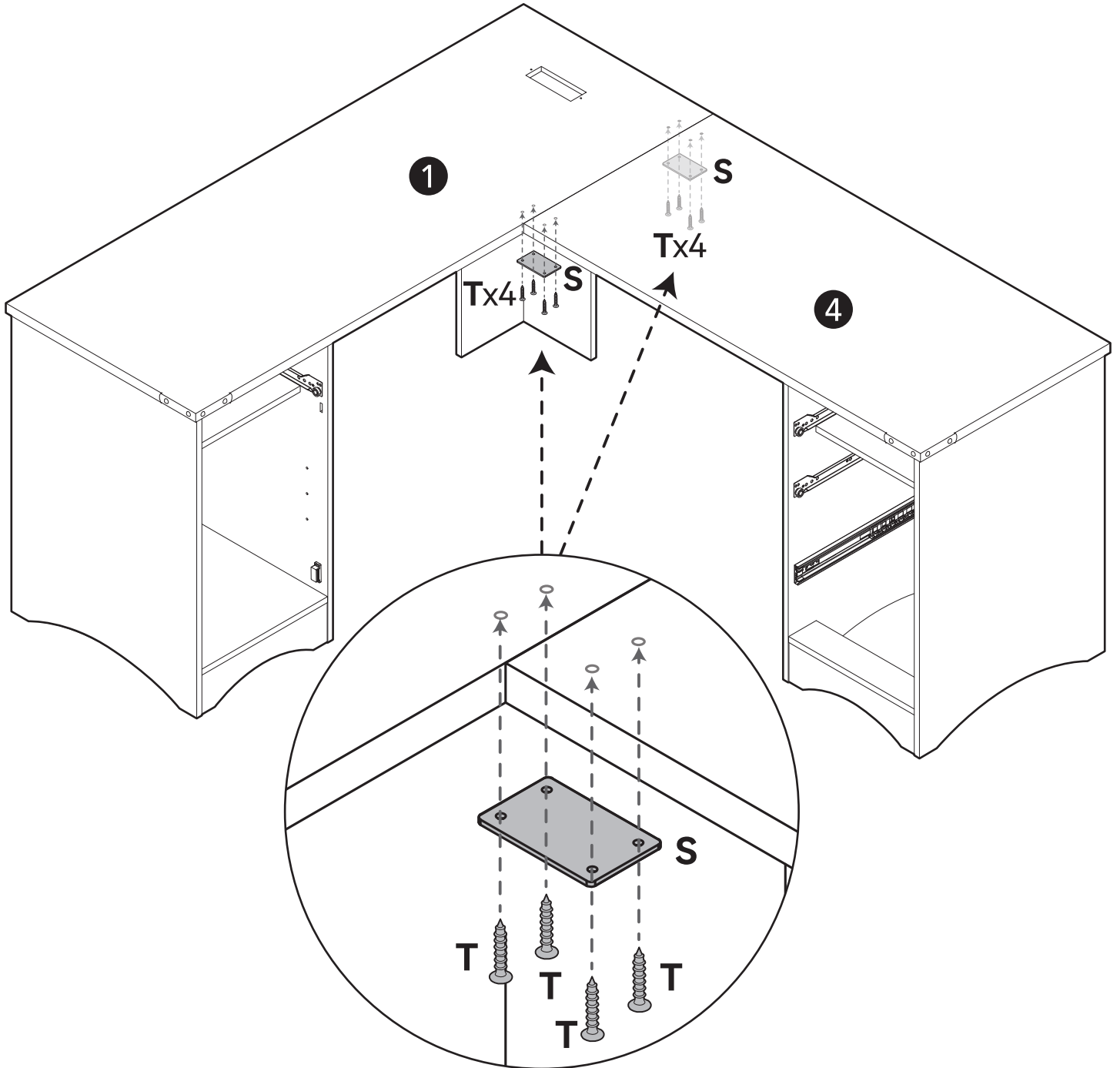
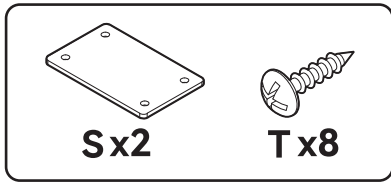
Insert back panel clip into gap.



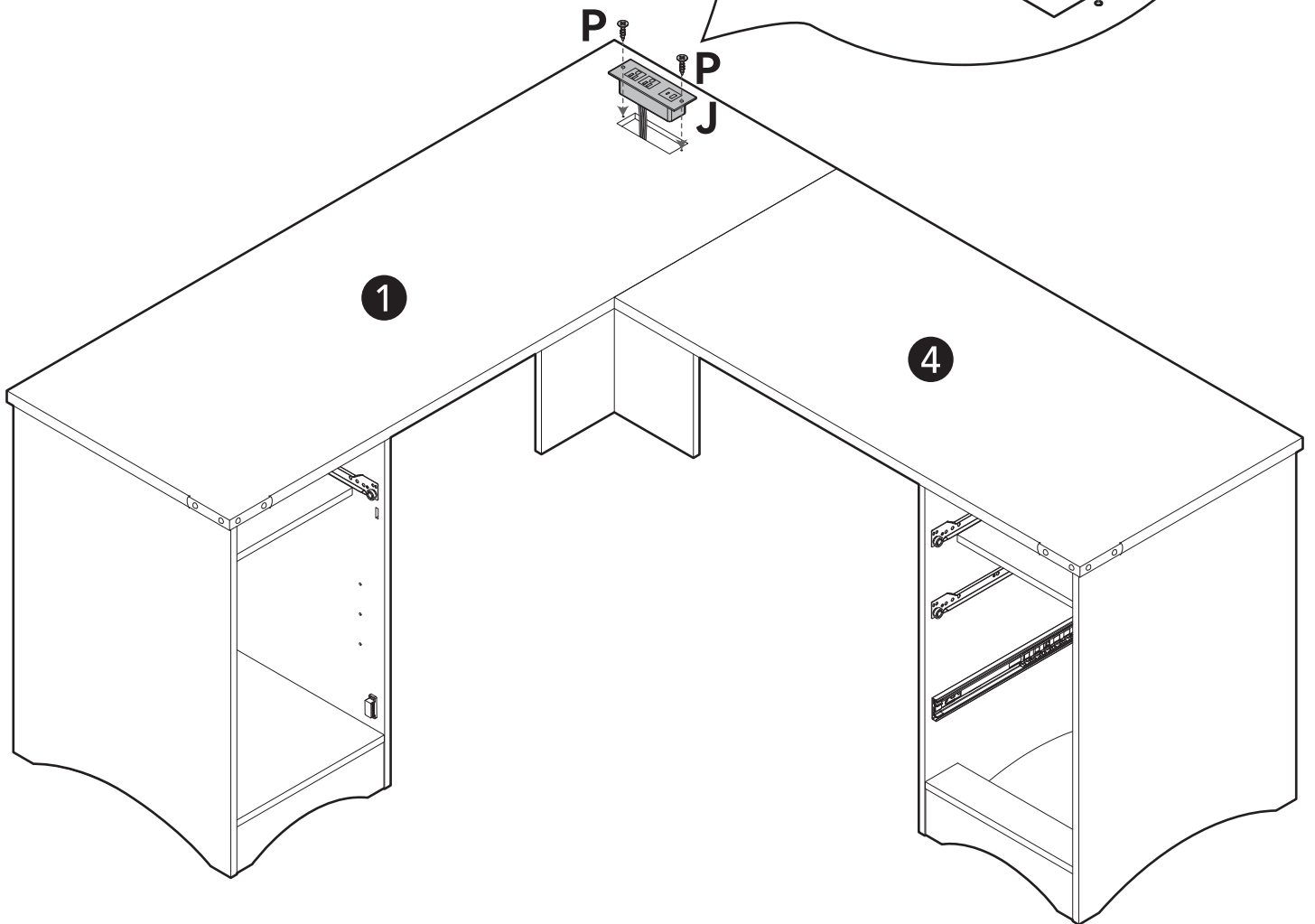
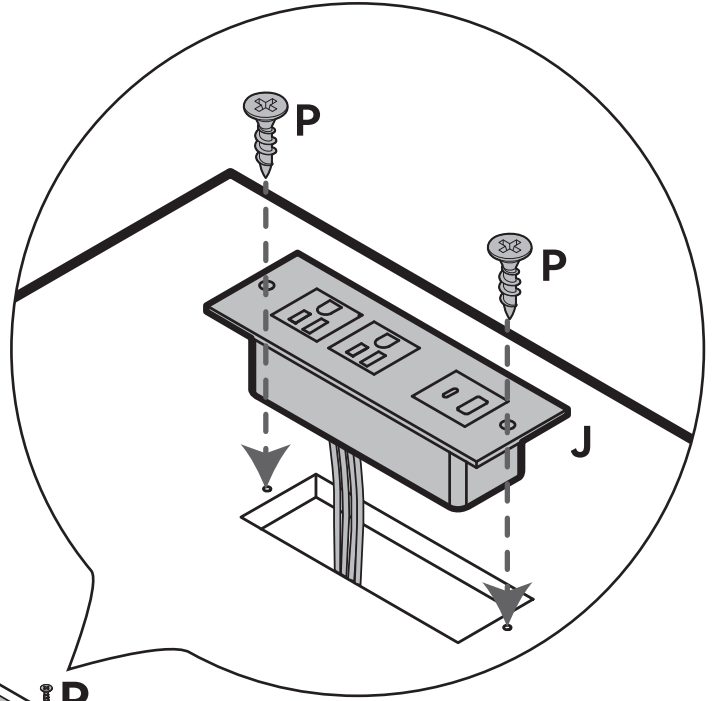
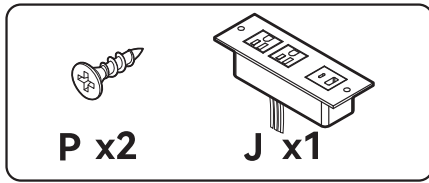
Secure with screw.



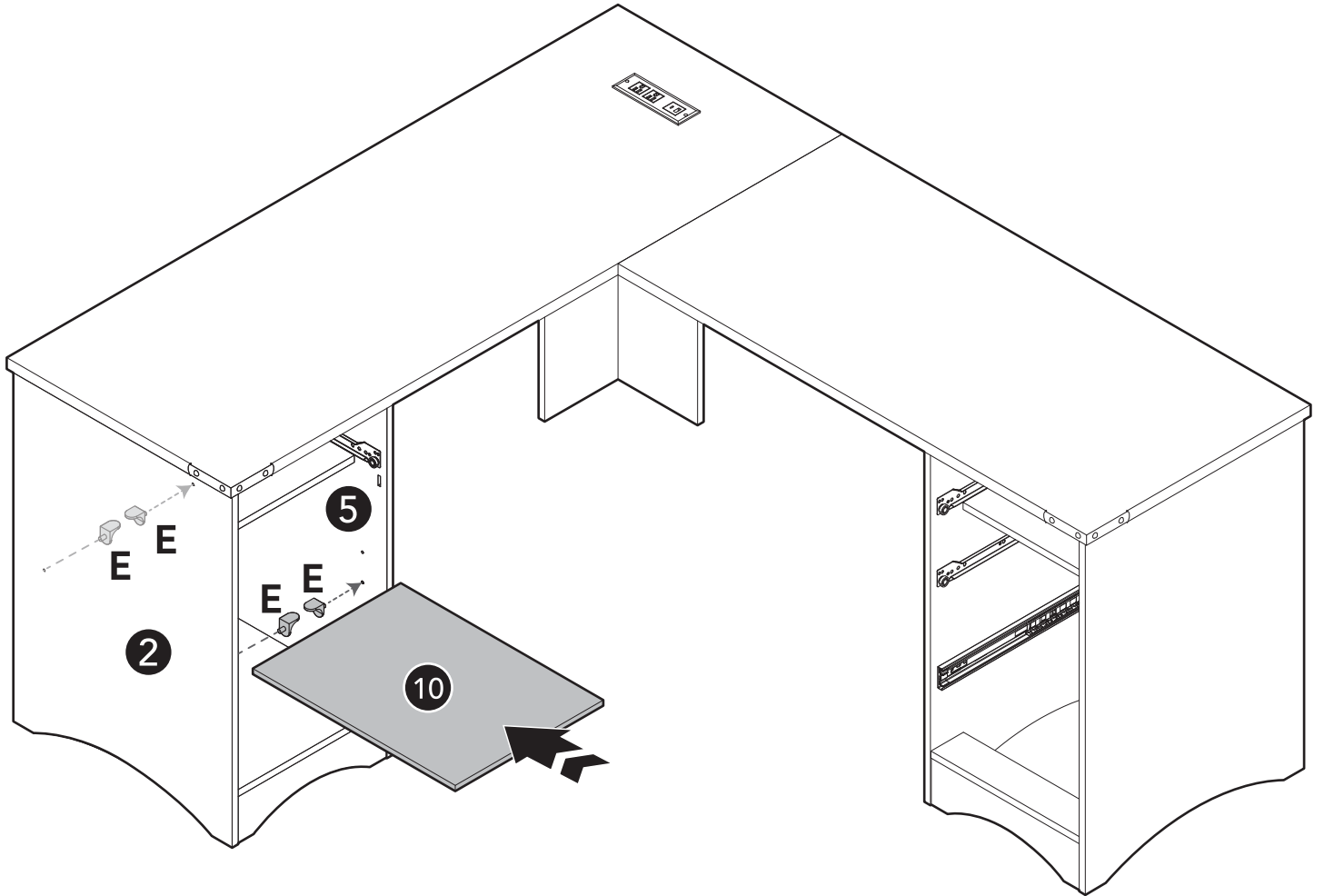
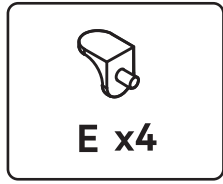
21



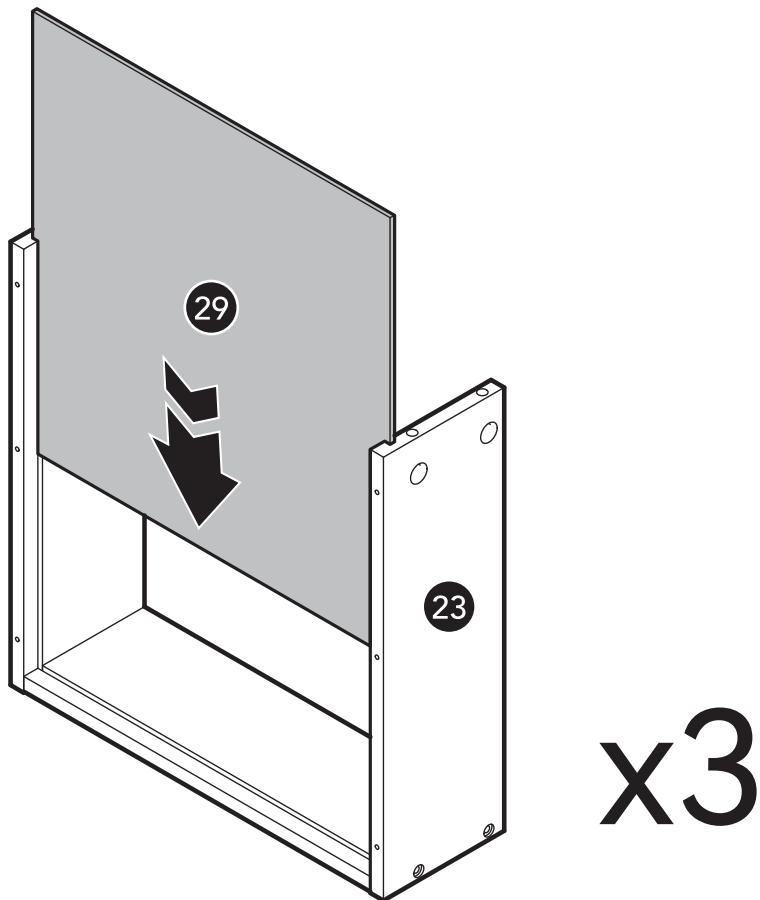
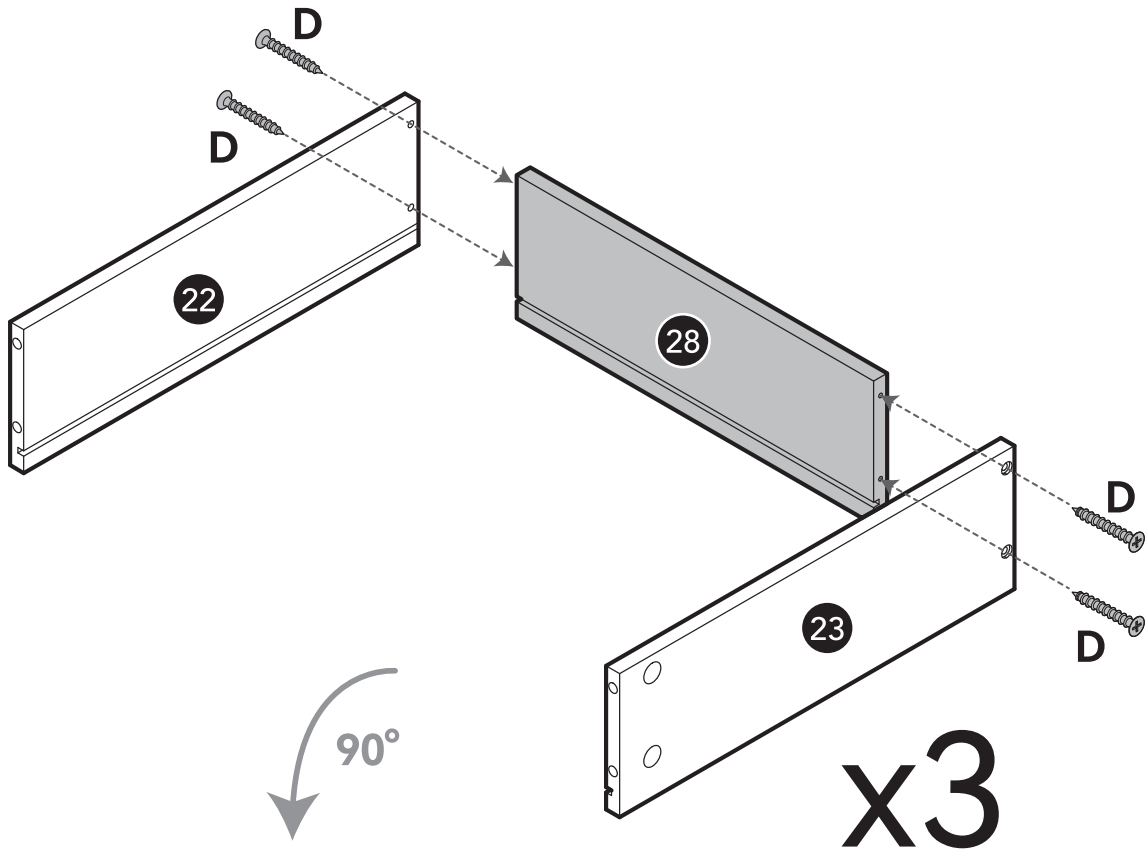
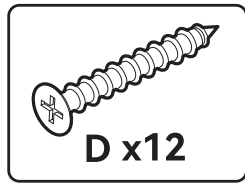
22



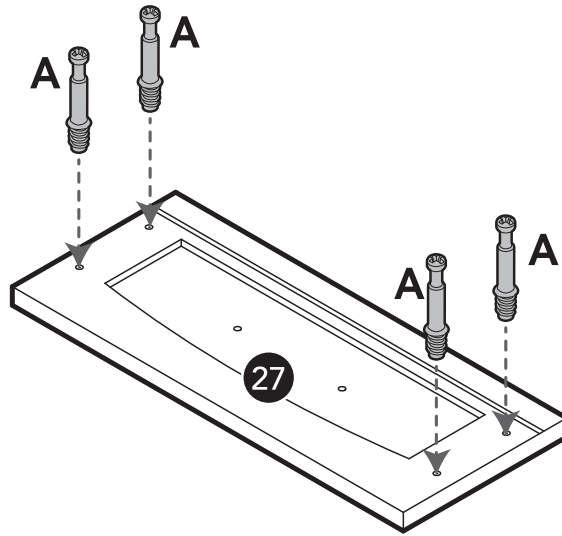
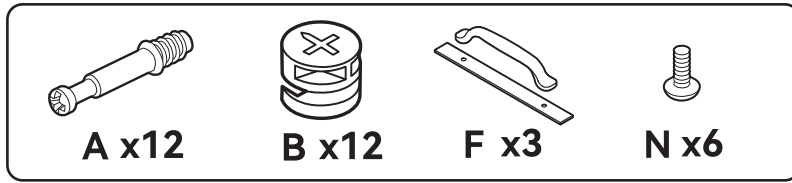
23



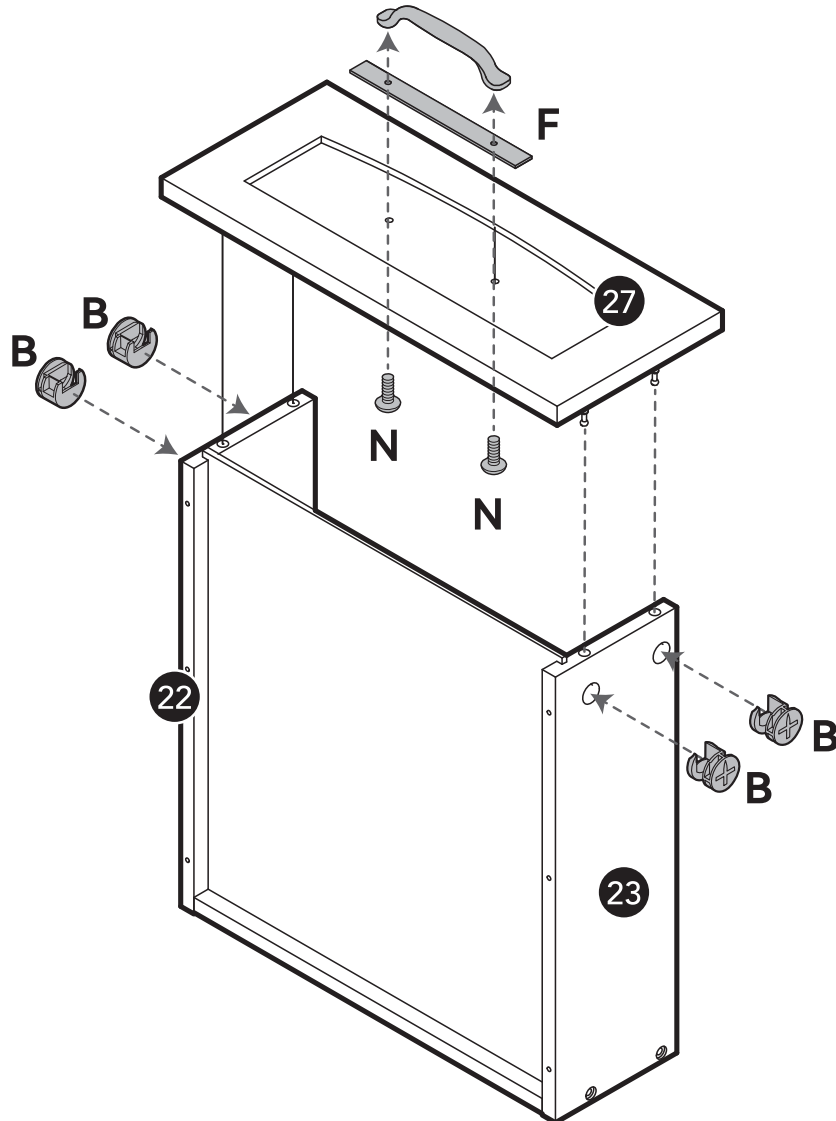
24



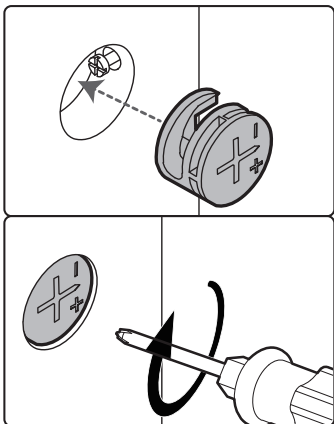
25



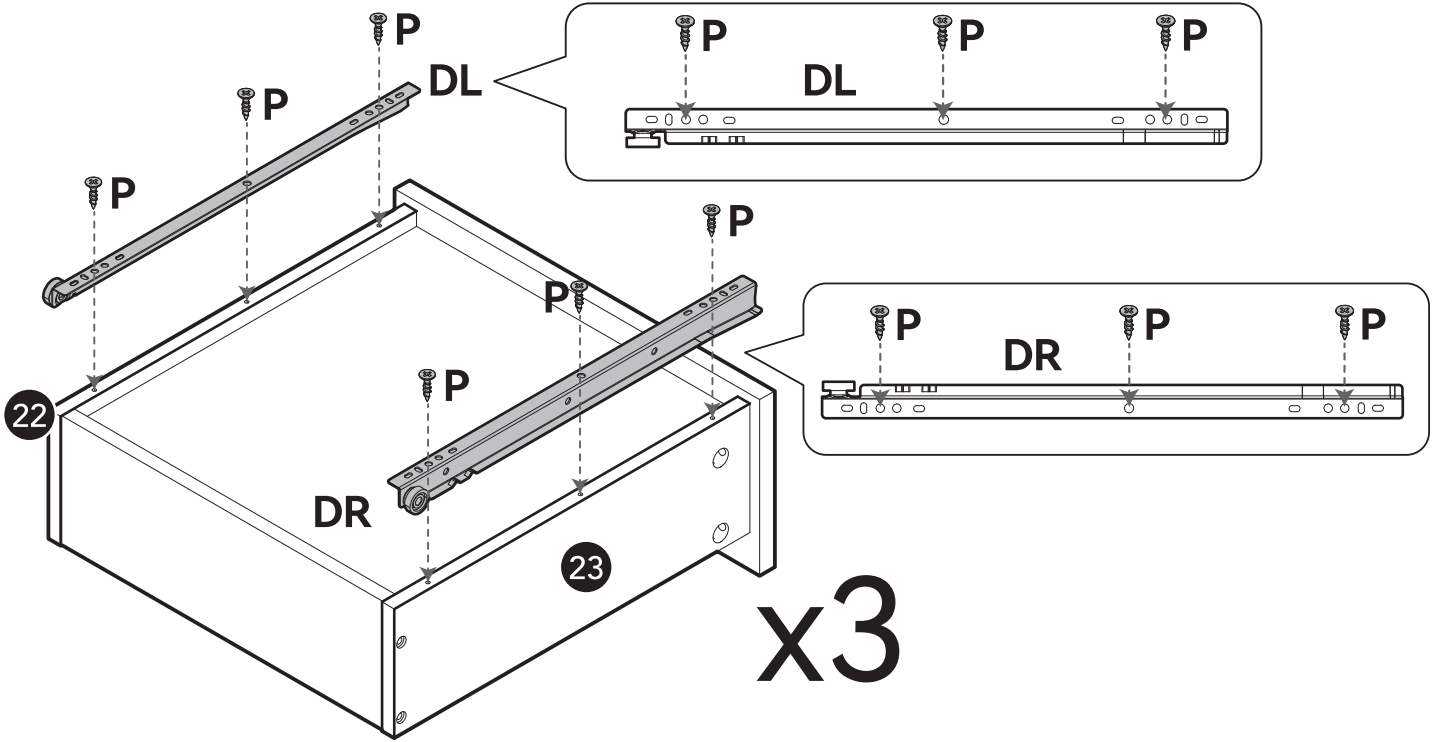
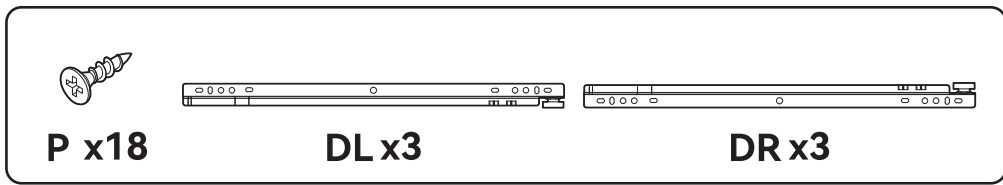
x3



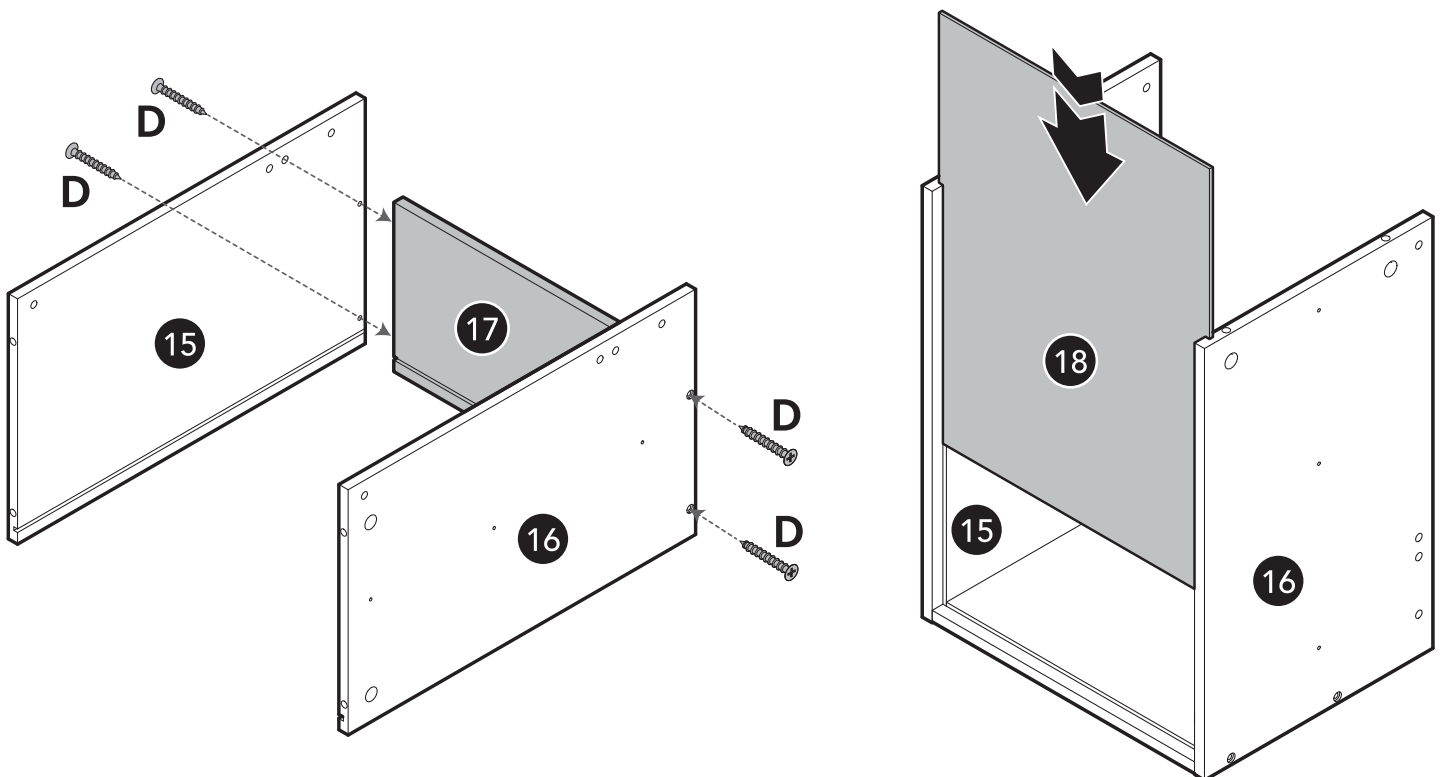
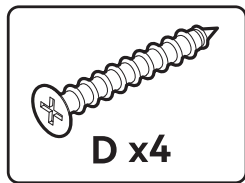
x3



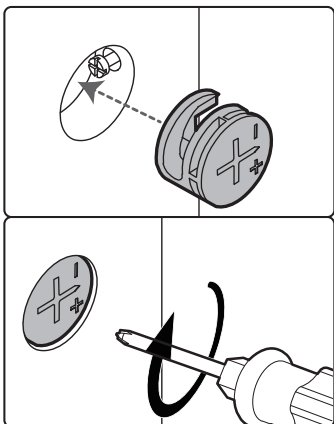
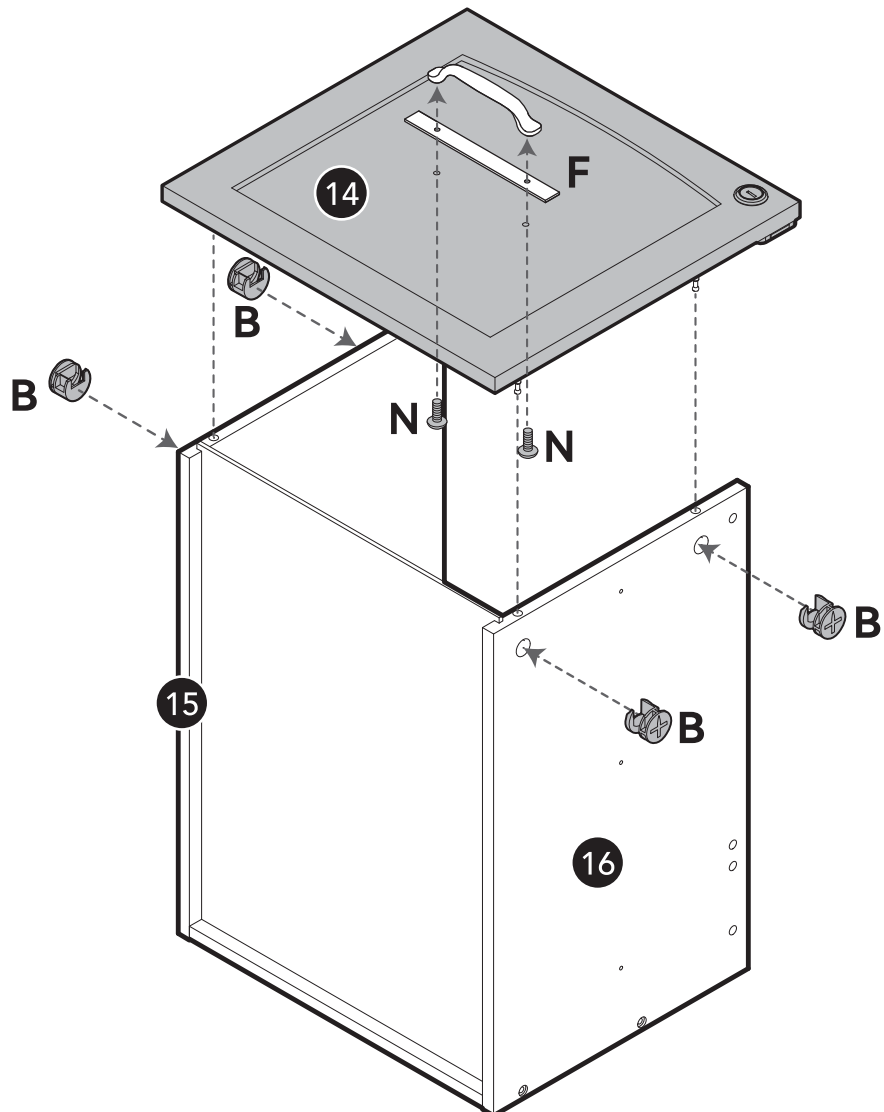
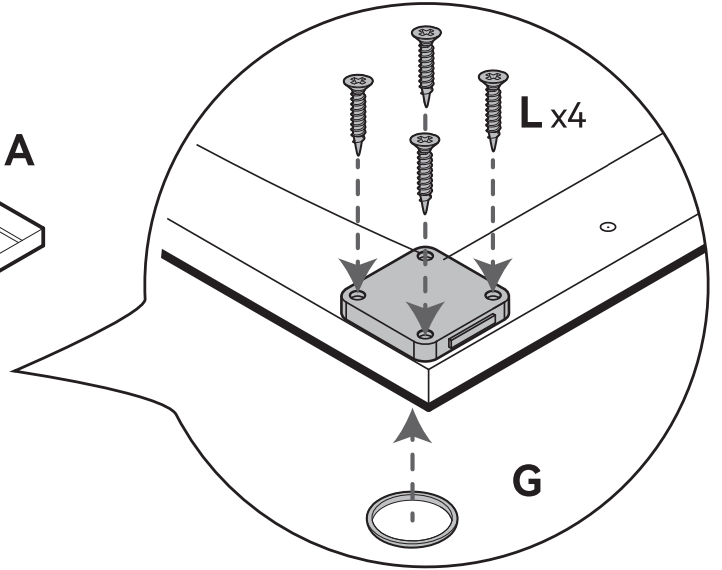
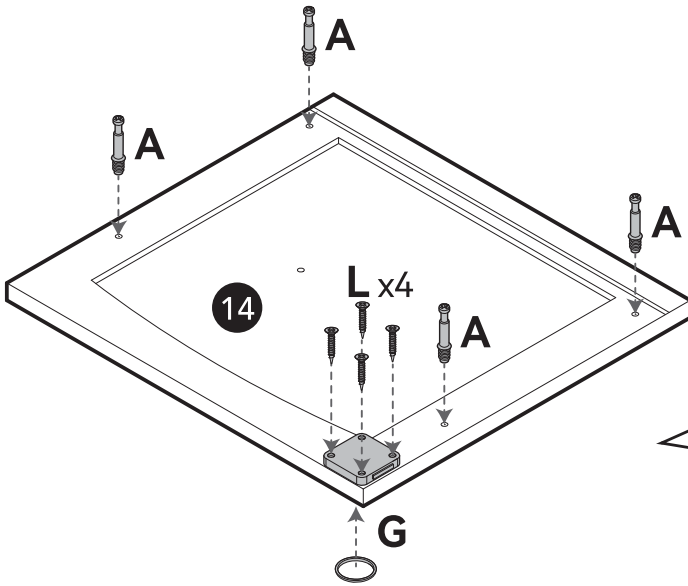
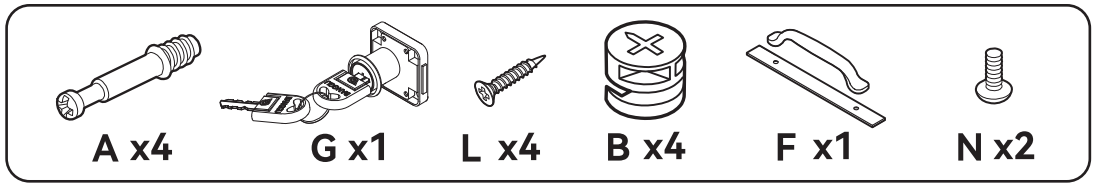
26



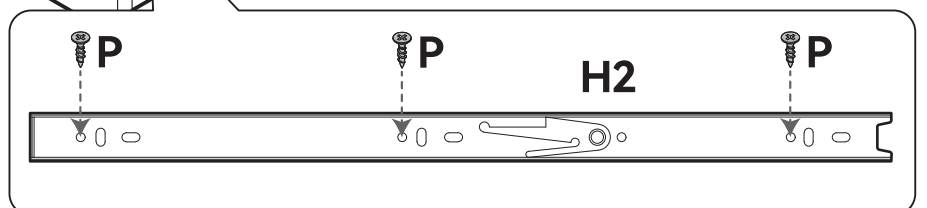
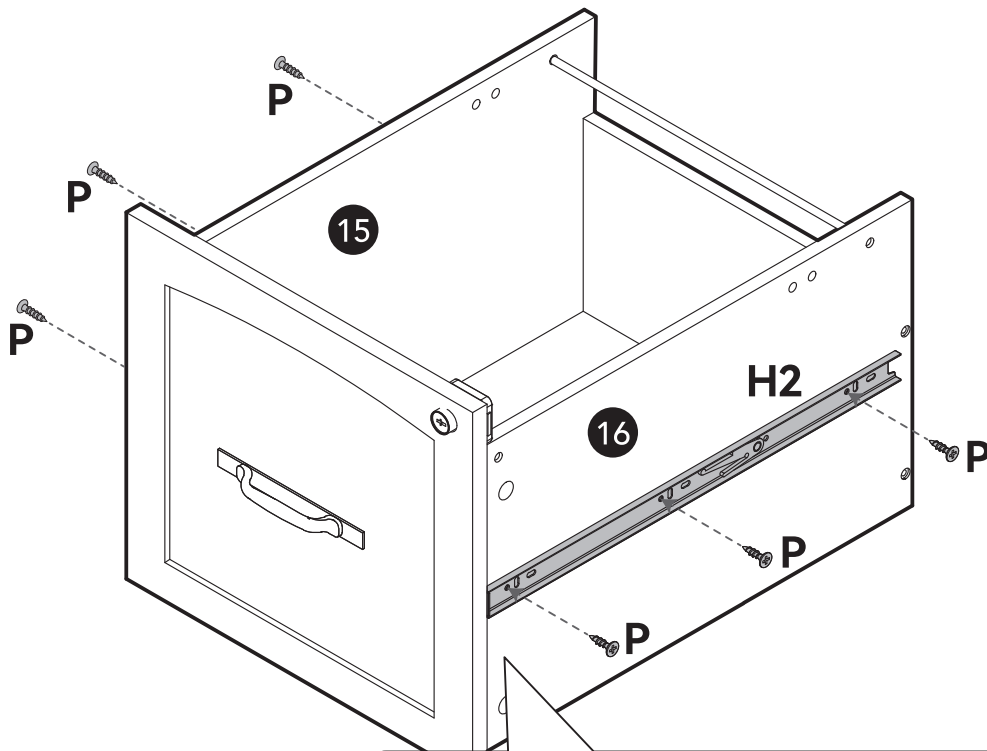
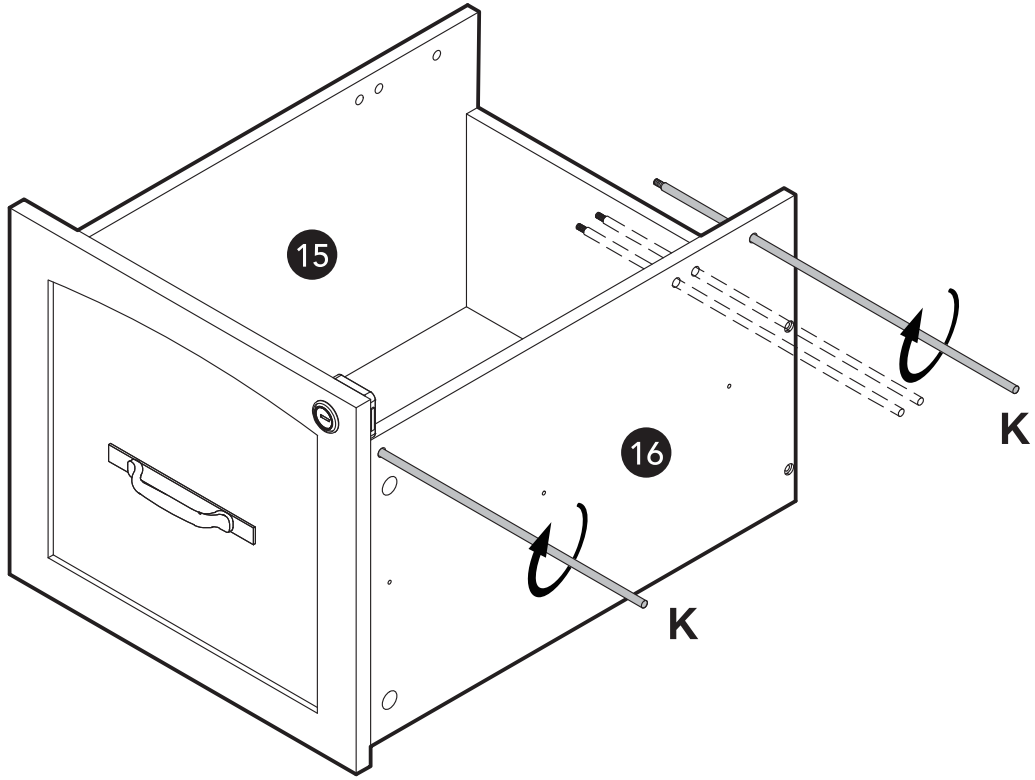
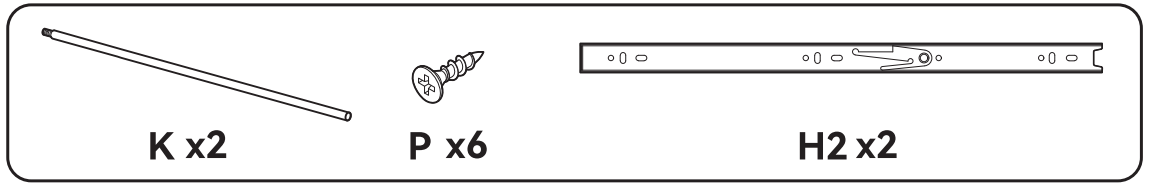
27



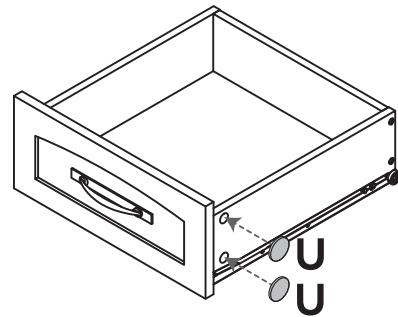
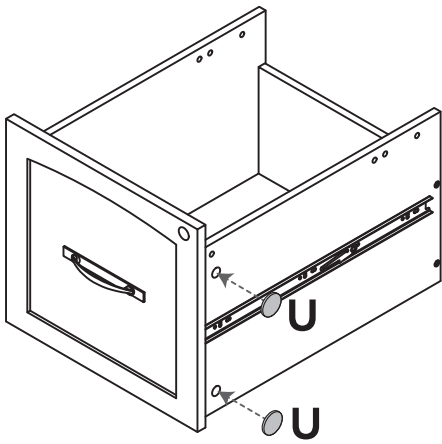
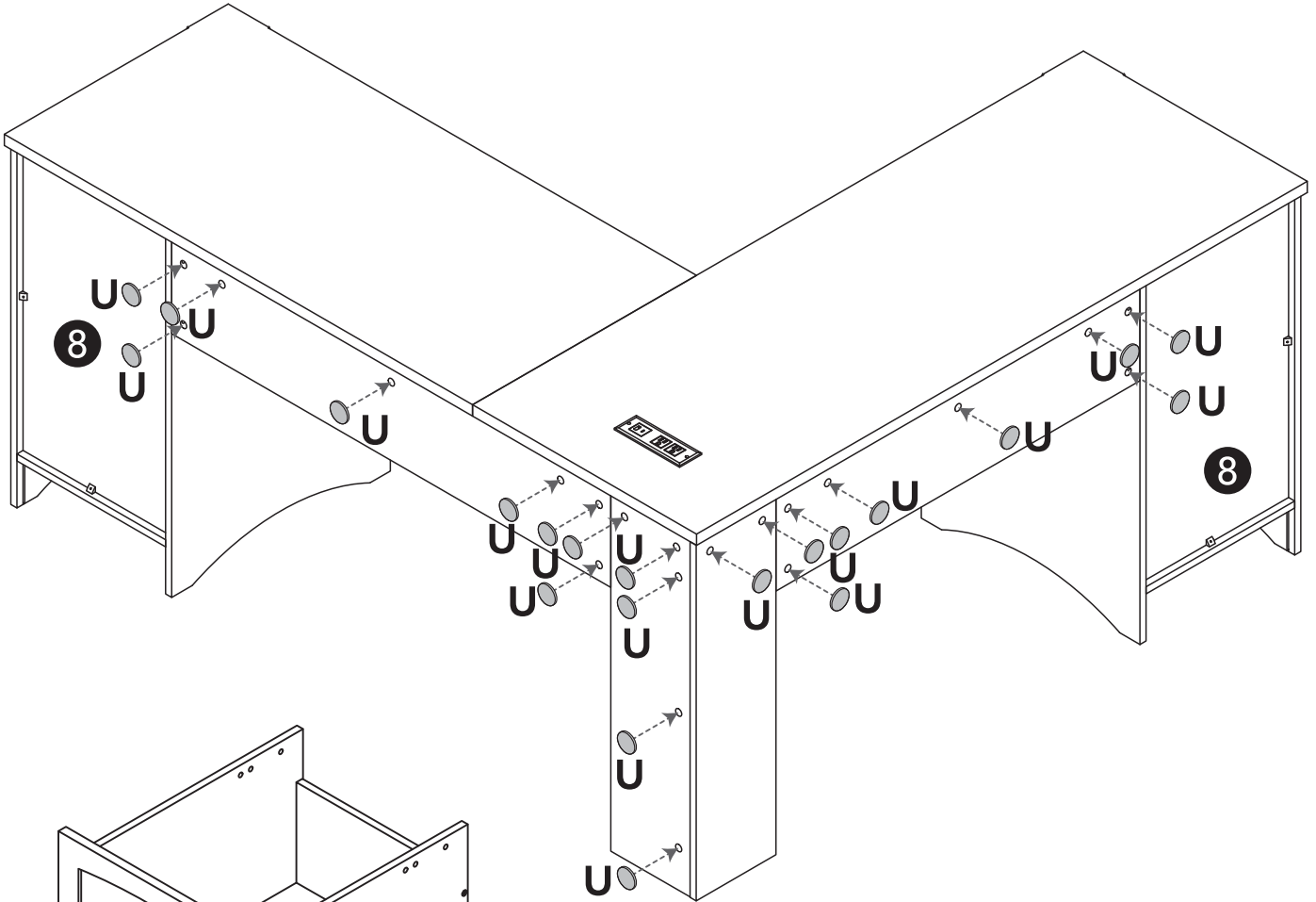
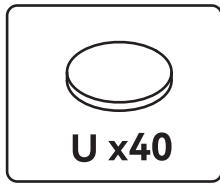
28



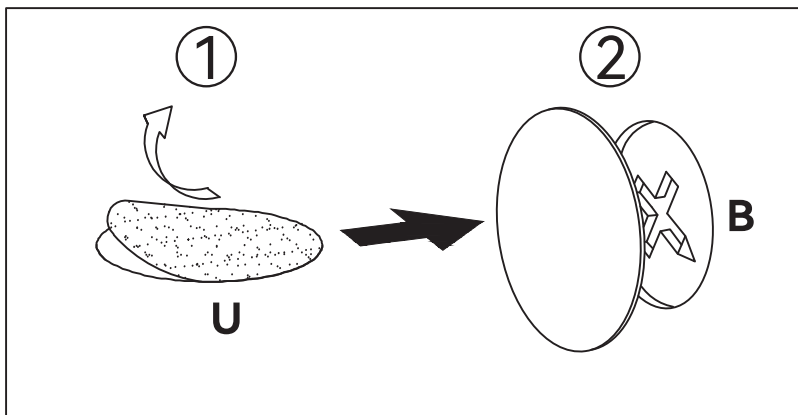
29



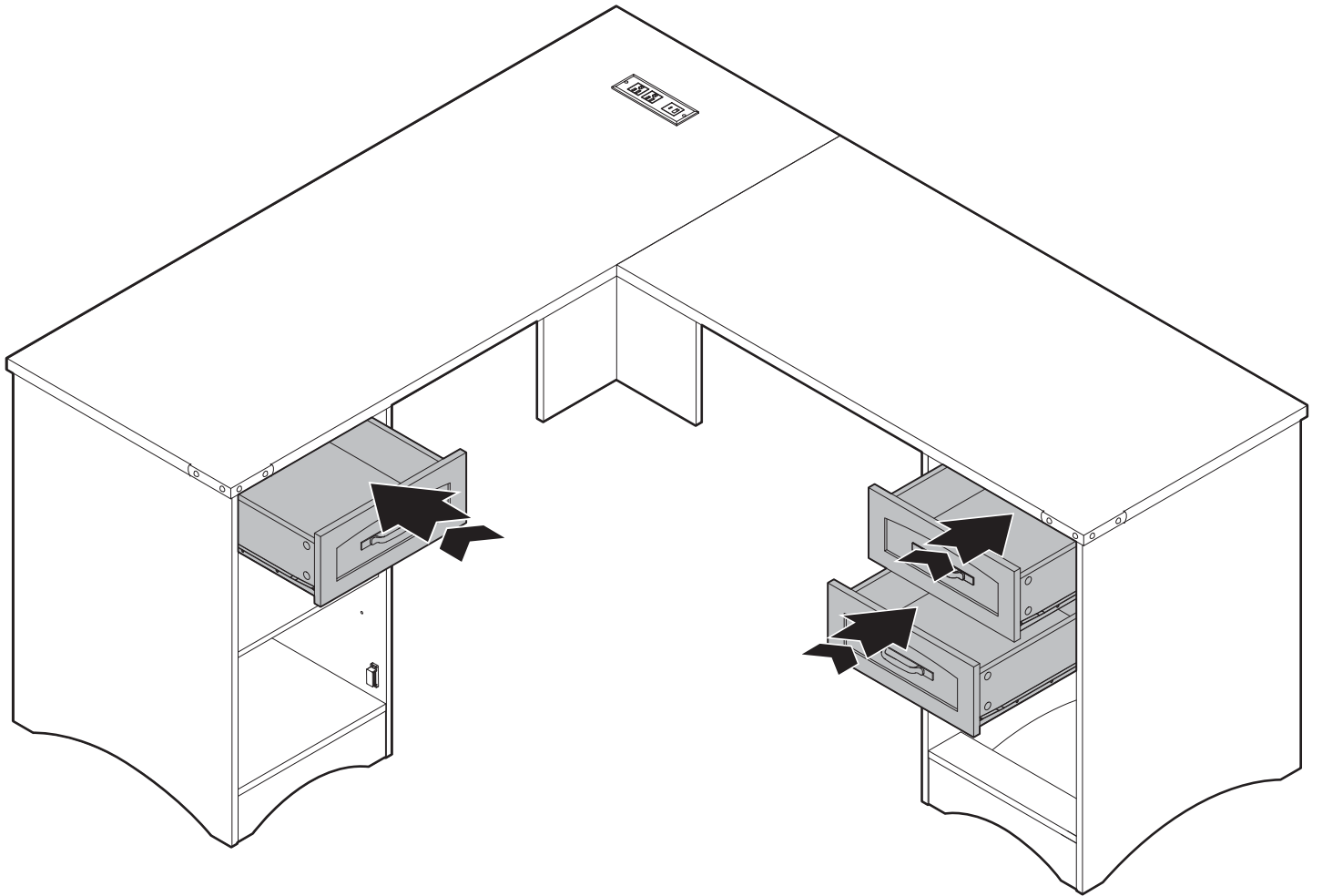
30

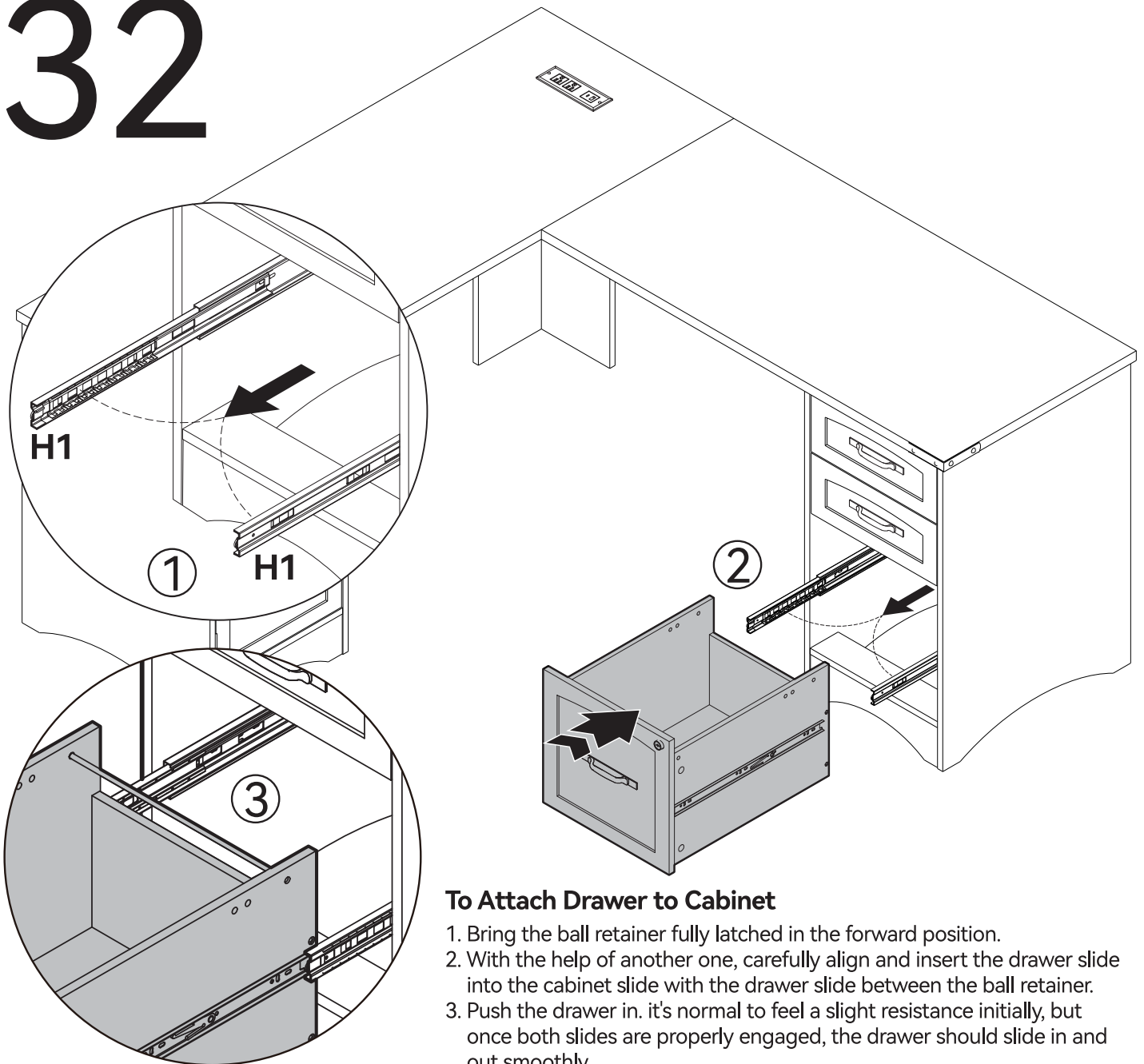


x3



31



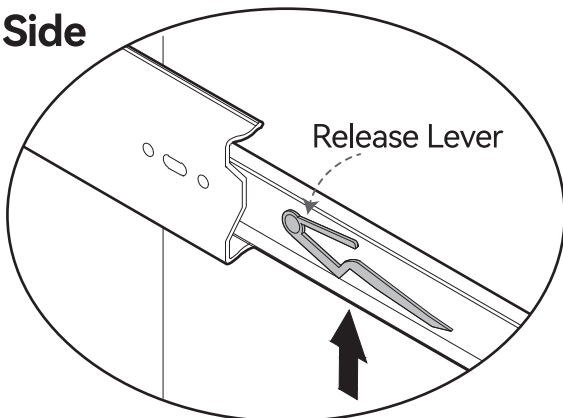


To Attach Drawer to Cabinet

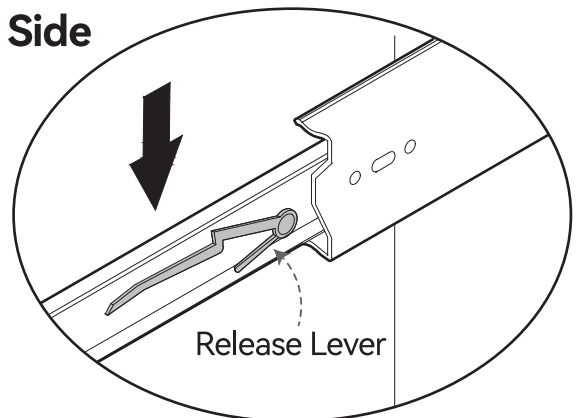
1. Bring the ball retainer fully latched in the forward position.
2. With the help of another one, carefully align and insert the drawer slide into the cabinet slide with the drawer slide between the ball retainer.
3. Push the drawer in. it's normal to feel a slight resistance initially, but once both slides are properly engaged, the drawer should slide in and out smoothly.

NOTE: Avoid using excessive force to insert the drawer, as this might damage the slides or the drawer itself.

Left Side



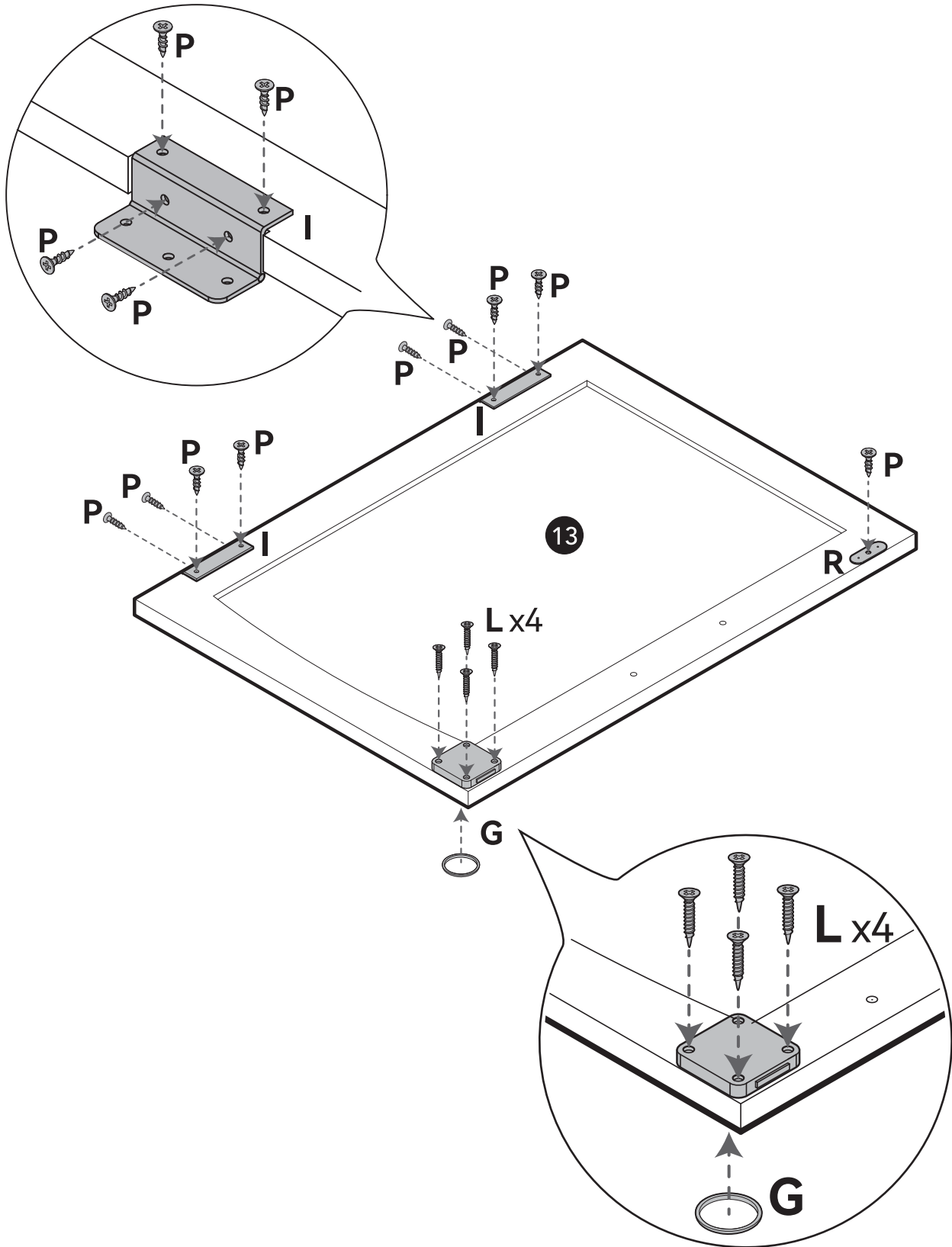
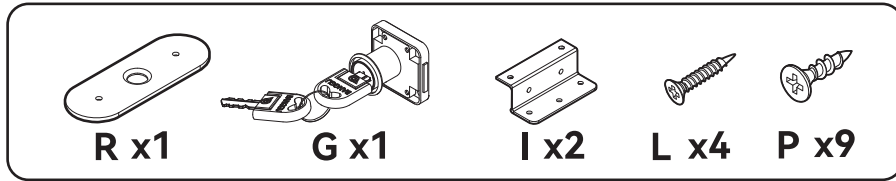
Right Side



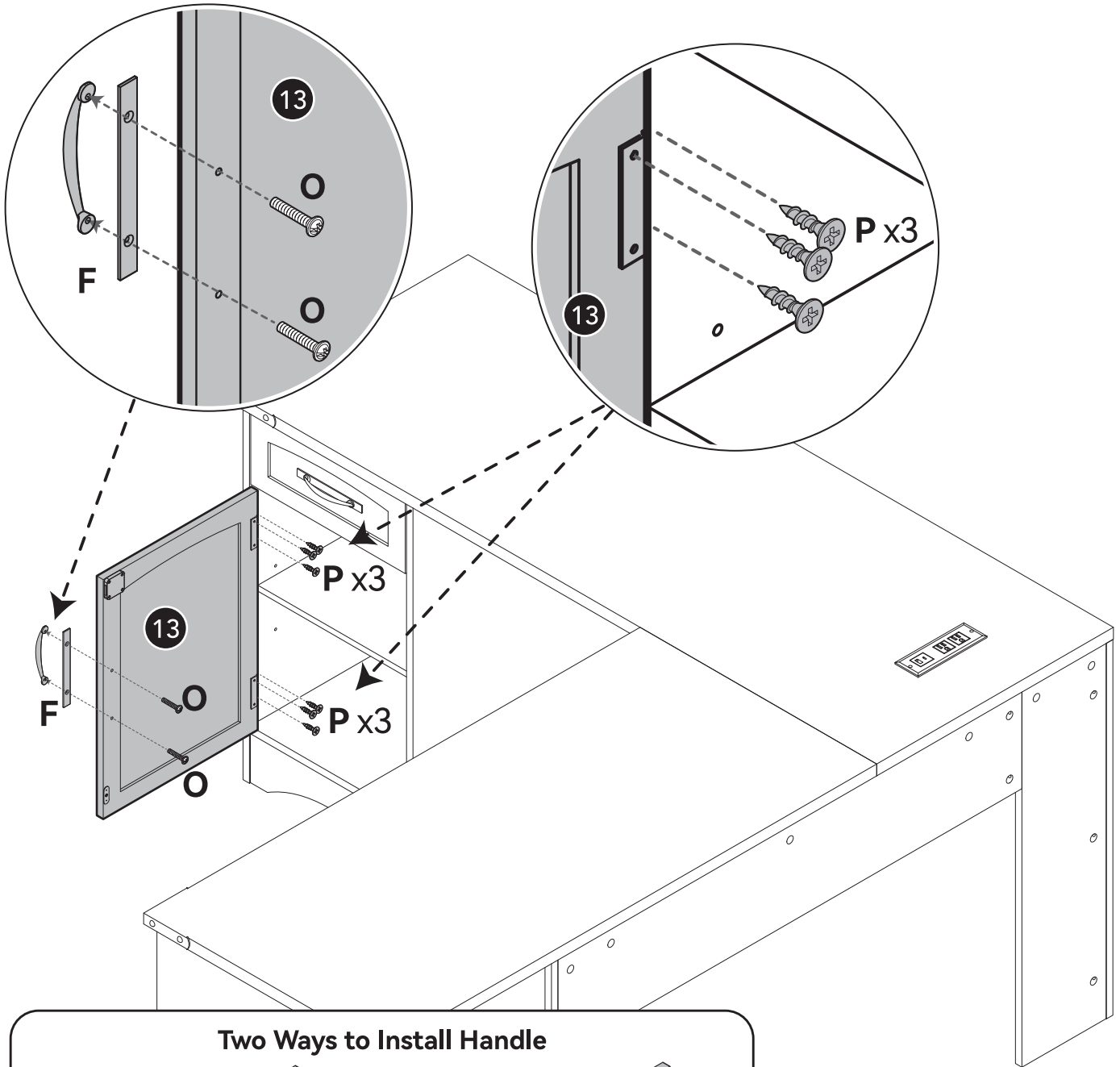
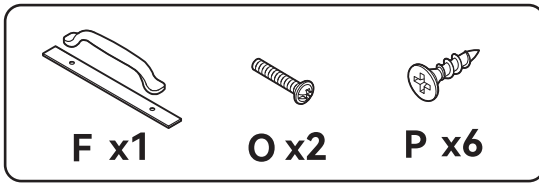
To Remove Drawer when Needed

1. Fully pull the drawer out to expose the release levers.
2. Push UP on the left release lever and DOWN on the right release lever.
3. Pull the drawer straight out while holding the levers.

33



34



Two Ways to Install Handle

