

ASSEMBLY INSTRUCTIONS

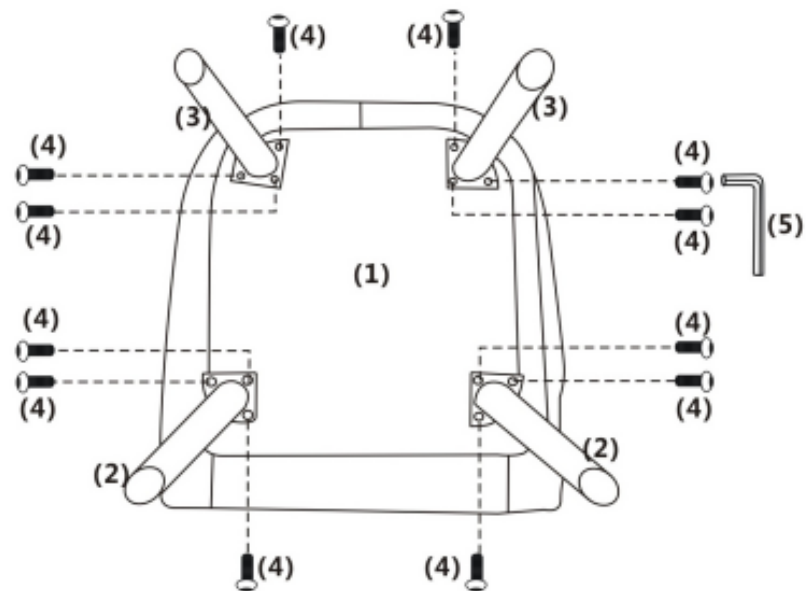
(1)x1



(4)x12



①



(2)x2



(5)x1



②



(3)x2

