


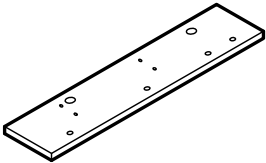
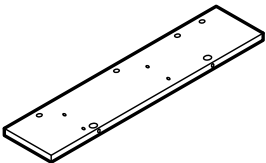
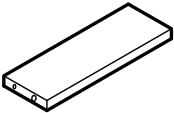
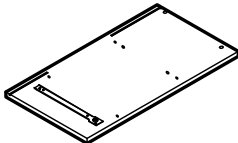
Assembly Instructions

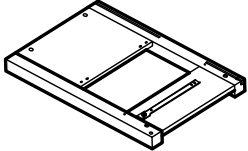
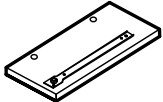
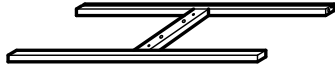
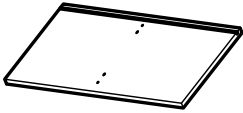
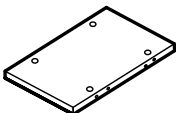

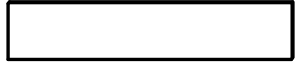

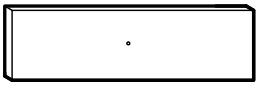

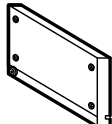
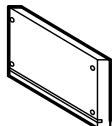
Caution : You must read this before you proceed


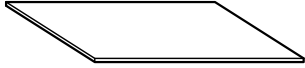

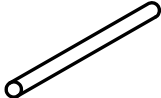
Kitchen Cart




Part List



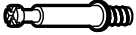


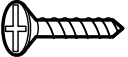


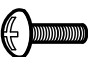
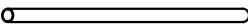

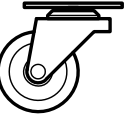
Label	Picture	Description	QTY
A		Top	1
B		Left Side Panel Shelf	1
C		Right Side Panel Shelf	1
D		Side Shelf	2
E		Left Side Panel	1

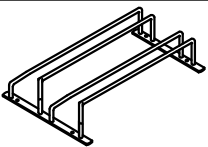

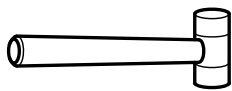

F		Right Side Panel	1
G		Divider - A	1
H		Center Frame	1
I		Center Panel	1
J		Divider - B	1
K		Bottom Panel	1
L		Upper Back Panel	1
M		Lower Back Panel	1
N1		Drawer Face	1
N2		Drawer Face	1
O1		Left Side Drawer Panel	2
O2		Right Side Drawer Panel	2

P		Back Drawer Panel	2
Q		Bottom Drawer Panel	2
R		Holder	2
S		Rod	1

Hardware

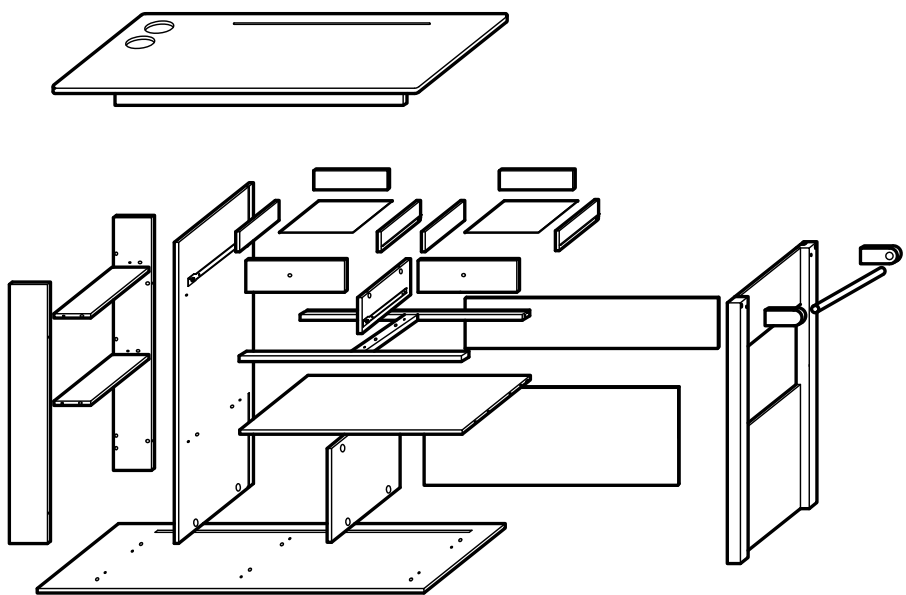
Label	Picture	Description	QTY
①		Bolt (M6 x 50mm)	3
②		Bolt (M6 x 60mm)	5
③		Bolt (M6 x 70mm)	3
④		Spring Washer	5
⑤		Flat Washer	5
⑥		Barrel (M6 x 13mm)	7
⑦		Allen Key (M4 x 60mm)	1










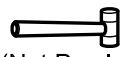




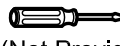



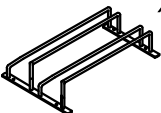


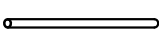


⑧		Wood Dowel (M8 x 30mm)	19
⑨		Wood Plug	3
⑩		Cam-Bolt (34mm)	23
⑪		Cam-Lock (12mm)	23
⑫		Chipboard Screw (M4 x 16mm)	21
⑬		Chipboard Screw (M4 x 25mm)	3
⑭		Pan Head Screw (M4 x 32mm)	19
⑮		Knob Handle	2
⑯		Handle Screw (20mm)	2
⑰		Aluminium rod (386mm x Ø9mm)	4
⑱		Caster With Lock	2
⑲		Caster Without Lock	2






20		Wine Glass Holder	1
21		Philips Head Screwdriver (Not Provided)	1
22		Rubber Hammer (Not Provided)	1
23		Flat Head Screwdriver (Not Provided)	1

Assembly Preparation

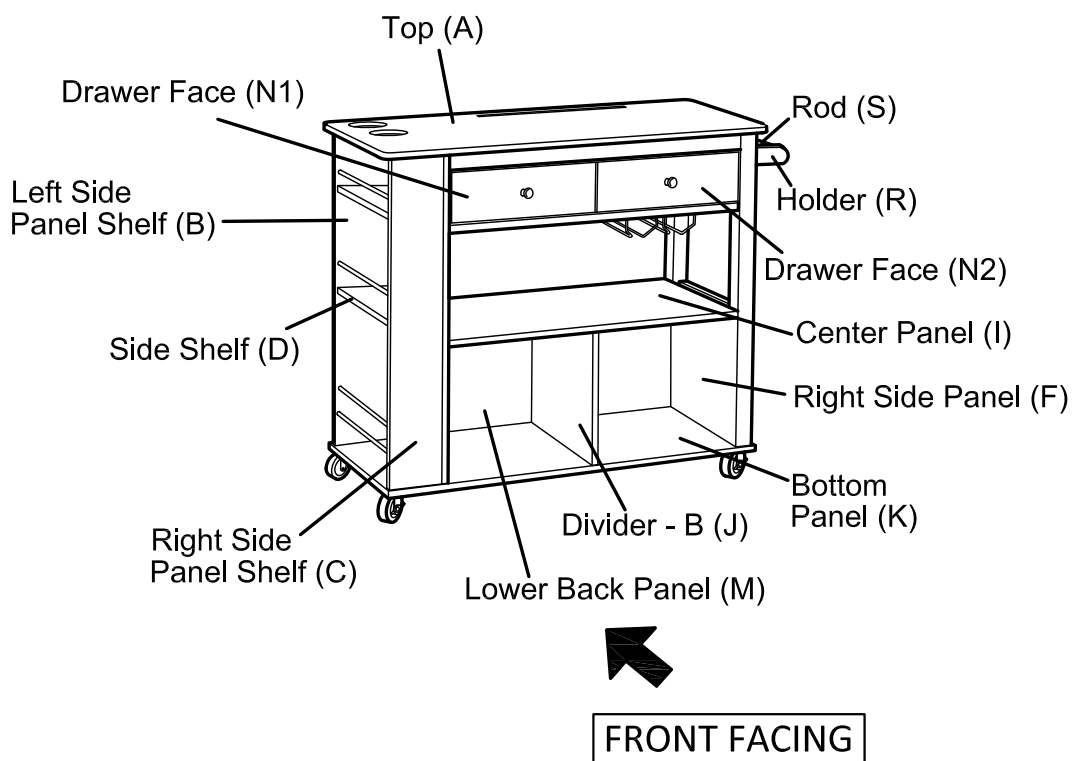
Before Beginning Assembly:



 X3	 X1	 X3	 X2	 X1 (Not Provided)
 X5	 X19	 X19	 X2	 X1 (Not Provided)
 X3	 X3	 X2	 X1	 X1 (Not Provided)
 X5	 X23	 X3	 X1	
 X5	 X23	 X4		
 X7	 X21			

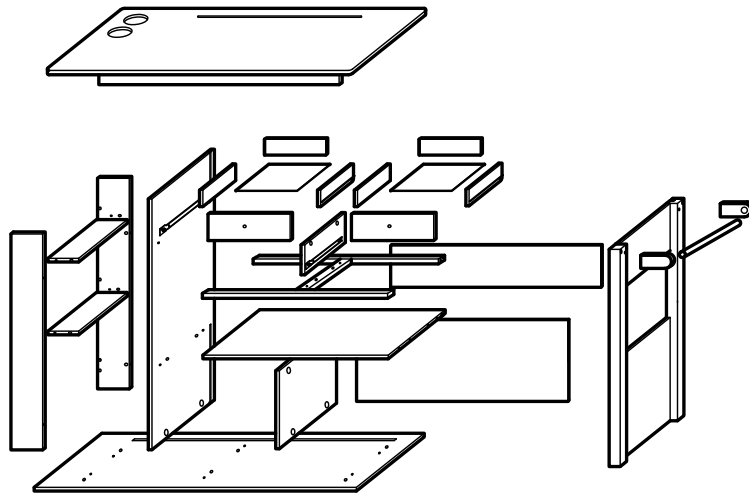
-  • Read instructions, cover to cover-
-  • Have 2 adults on hand for assembly-
-  • Do not assemble on flooring or carpet-
-  • Assemble on a clean non-marring surface (packing foam)-
-  • Save all packaging until finished-

Assembly Step



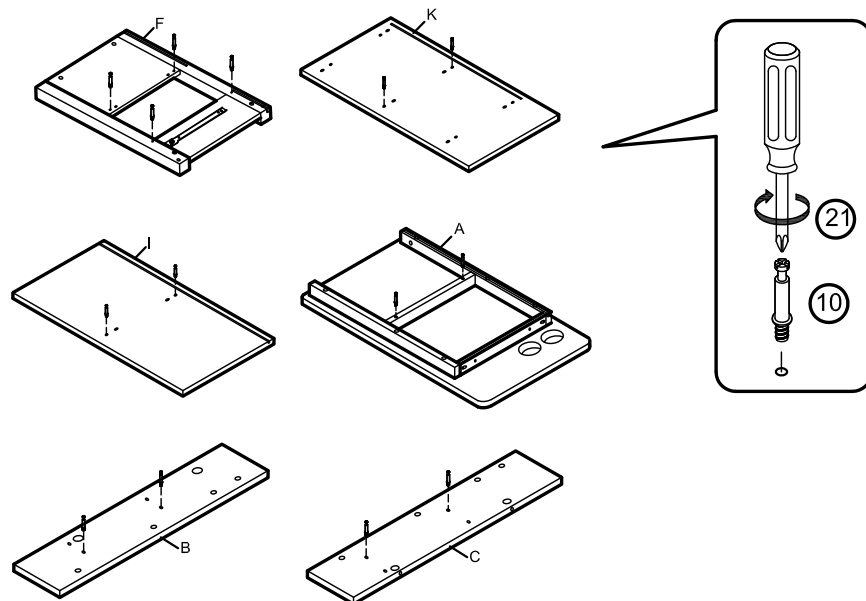
This Kitchen Cart has multiple parts and may require up to 75 minutes to assemble. To give you an overview of the Kitchen Cart parts, the above picture is provided to help you put the various parts into perspective. Please read through the instructions below to familiarise yourself with the parts and steps before assembly.

Step 1



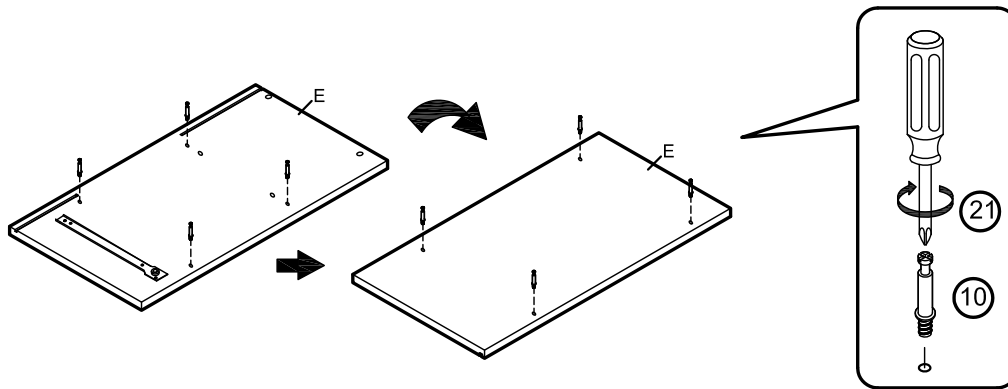
Unpack and place all parts on a clean, non-marring surface.

Step 2



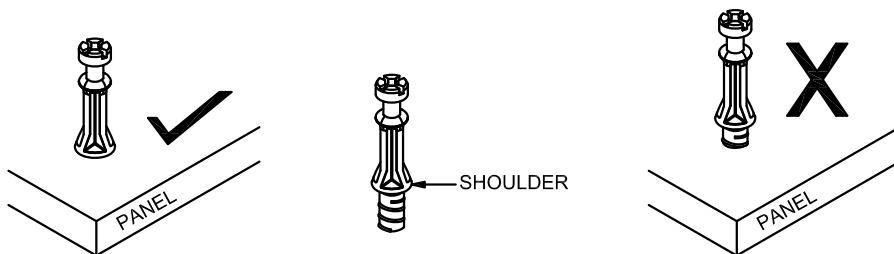
Place the Right Side Panel Shelf (F), Bottom Panel (K), Center Panel (I), Top Panel (A), Left Side Panel Shelf (B) and the Right Side Panel Shelf (C) onto a clean, non-marring surface. Insert Cam-Bolts (10) into the pre-drilled holes. Use a Philips Screwdriver (21) to tighten until the shoulder is snug and flushed with the panel. See illustrations below.

Step 3



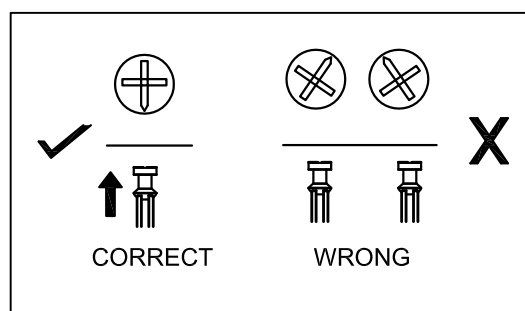
Place the Left Side Panel (E) onto a clean, non-marring surface. Insert Cam-Bolts (10) into the pre-drilled holes. Use a Philips Screwdriver (21) to tighten until the shoulder is snug and flushed with the panel. Repeat the same step on the other side. See the illustrations below.

Instructions for Fastening Cam-Bolts

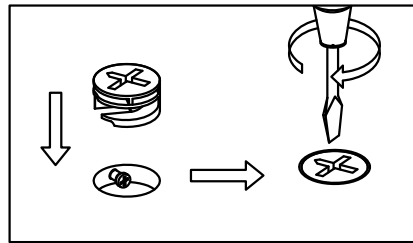


Make sure the Cam-Bolt shoulder is flushed (on the same level) with the panel. If the Shoulder is above the panel it is not installed correctly .

Instructions for Fastening Cam-Bolts to Cam-Locks

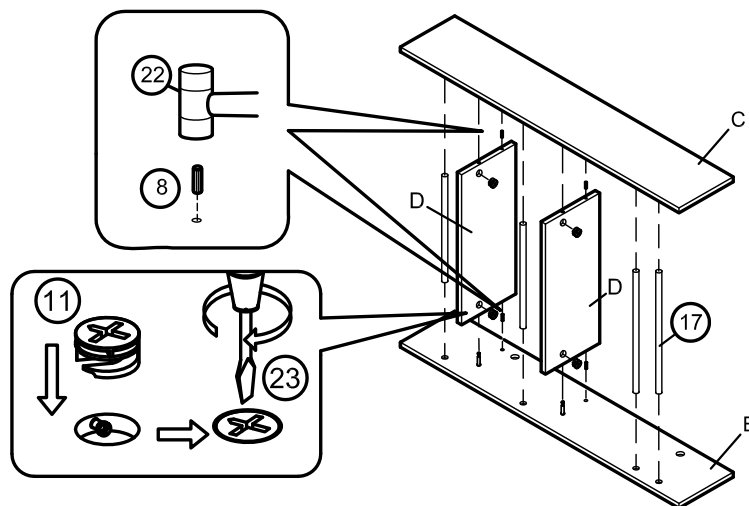


When inserting the Cam-Locks, align the arrow on the Cam-Lock with the Cam-Bolt head and insert the Cam-Lock. Follow according to the illustrations above.



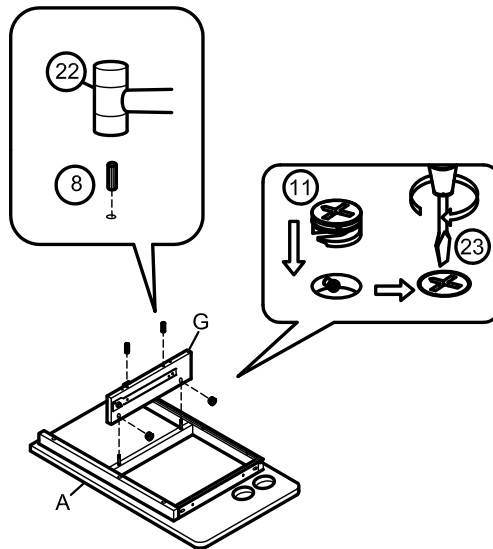
When tightening the Cam-Locks, the Cam-Bolt head needs to be centered. Use a Flat Head Screwdriver (23) to turn the Cam-Lock clockwise to lock onto the head of the Cam-Bolt. Turn until it is snug. If you over tighten it could damage the Cam-Lock or the Cam-Bolt.

Step 4



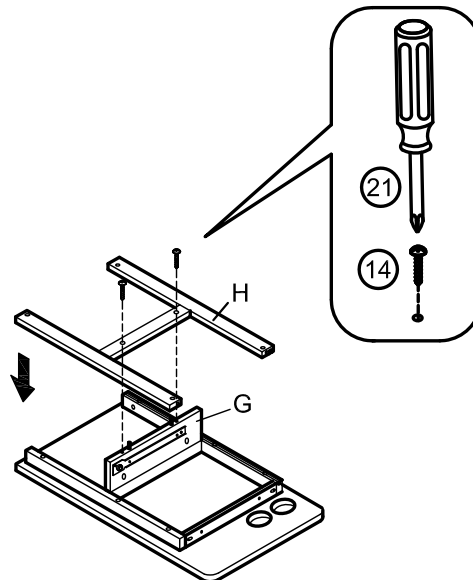
Place the Side Shelf (D) on a material that does not scratch or damage the part. Insert the Wood Dowels (8) into the Side Shelf (D) using a Rubber Hammer (22). Insert the Cam-Locks (11) into the designated holes above the holes where the Cam-Bolts (10) are inserted. Use a Flat Screwdriver (23) and turn clockwise to lock onto the Cam-Bolts (10). Refer to the instructions on inserting and tightening Cam-Locks (11). Attach the Left Side Panel Shelf (B) and the Right Side Panel Shelf (C) with the 2 Side Shelves (D) and the 4 Aluminium Rods (17).

Step 5



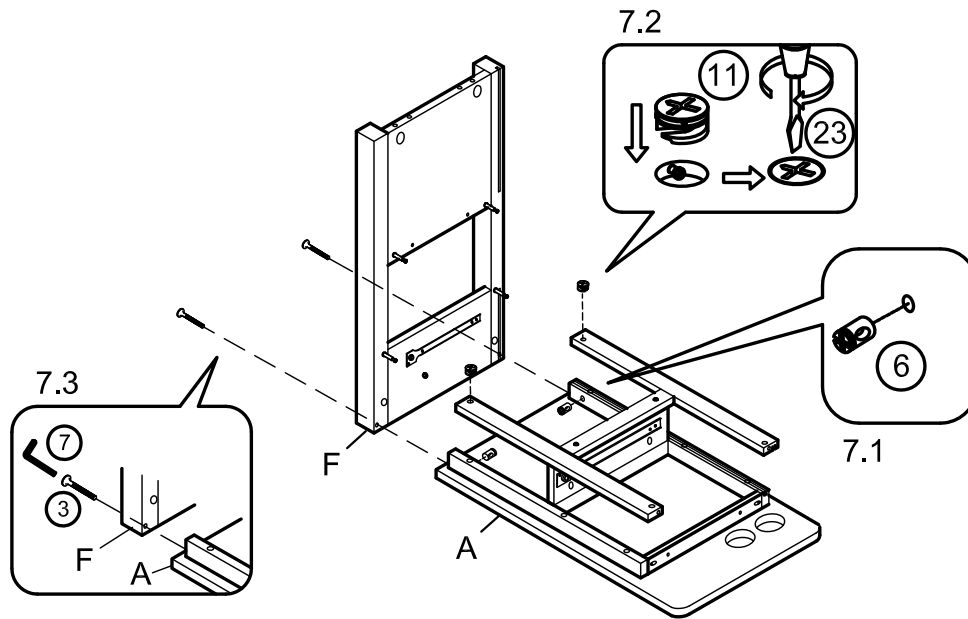
Place the Top (A) on a material that does not scratch or damage the part. Attach the Divider-A (G) to the Top (A). Insert Cam-Locks (①①) into the designated holes above the holes where the Cam-Bolts (①⑩) are inserted. Use a Flat Screwdriver (②③) and turn clockwise to lock onto the Cam-Bolts (①⑩). Refer to the instructions on inserting and tightening Cam-Locks (①①). Insert the Wood Dowels (⑧) at Divider-A (G) using a Rubber Hammer (②②).

Step 6



Attach the Center Frame (H) to the Divider-A (G) with a Pan Head Screw (①④) using a Philips Head Screwdriver (②①) to tighten it.

Step 7



7.1

Insert Barrel Nuts (⑥) into the designated holes on the front & back rails of the Top (A).

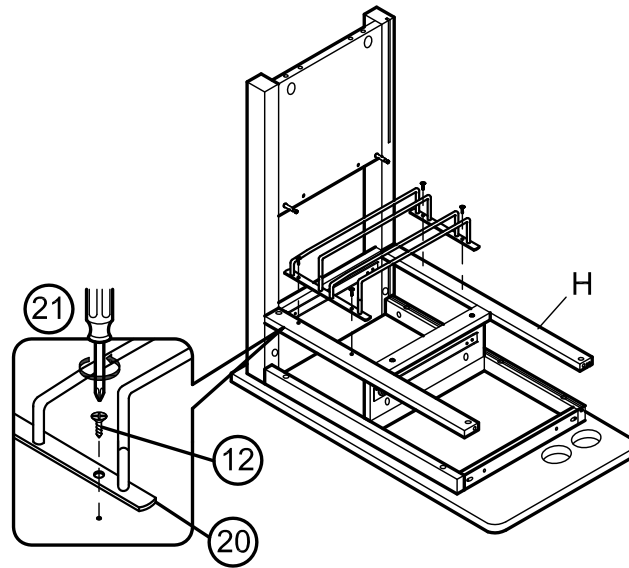
7.2

Insert Cam-Locks (⑪) into the designated holes above the holes where the Cam-Bolts (⑩) are inserted.

7.3

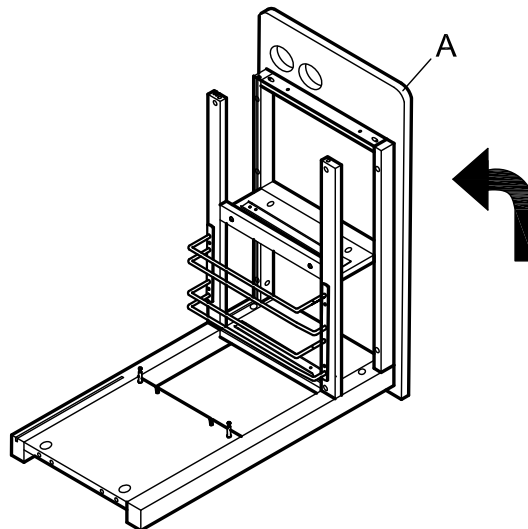
Attach the Right Side Panel (F) to the frame of the Top (A) with Bolts (③), using the Allen Key (⑦) to tighten. Use a Flat Screwdriver (⑳) and turn clockwise to lock onto the Cam-Bolts (⑩). Refer to instructions on inserting and tightening Cam-Locks (⑪).

Step 8



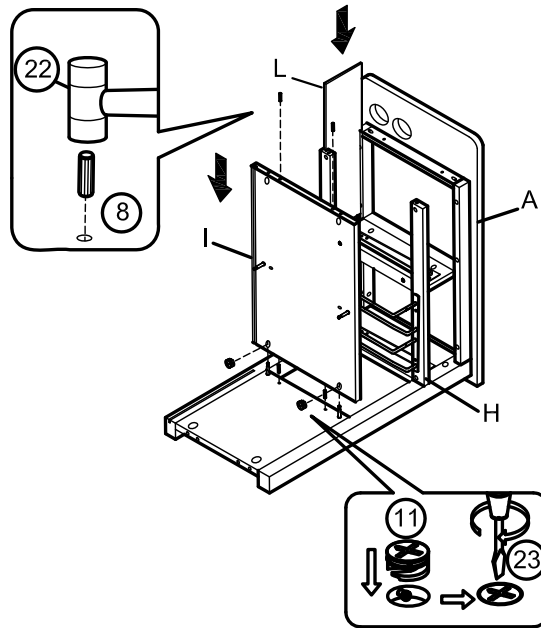
Place the Wine Glass Holder (20) on the Center Frame (H) with Chipboard Screws (12), using a Philips Head Screw Driver (21) to tighten.

Step 9



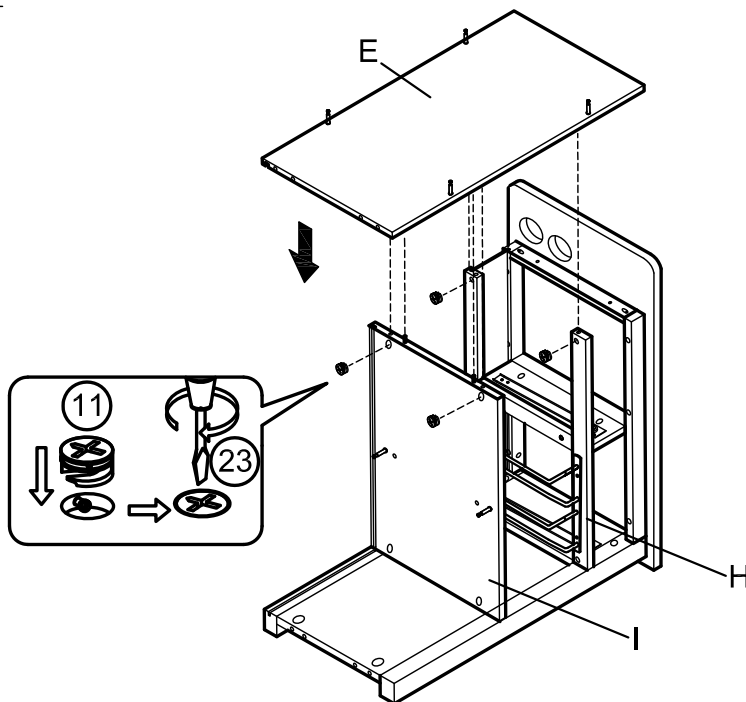
Set the Top (A) up as shown in the diagram above.

Step 10



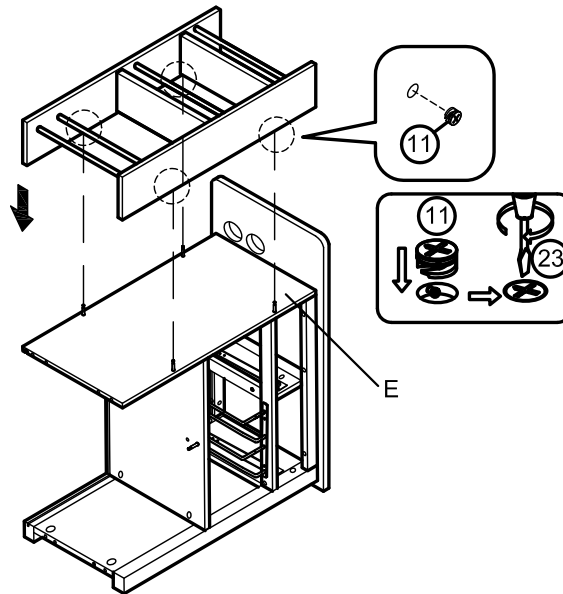
Place the Upper Back Panel (L) into the Top (A) and Center Frame (H). Insert Wood Dowels (8) into the bottom of the Center Panel (I) using a Rubber Hammer (22). Insert Cam-Locks (11) into the designated holes below the holes where the Cam-Bolts (10) are inserted. Use a Flat Screwdriver (23) and turn clockwise to lock onto the Cam-Bolts (10). Refer to instructions on inserting and tightening Cam-Locks (11).

Step 11



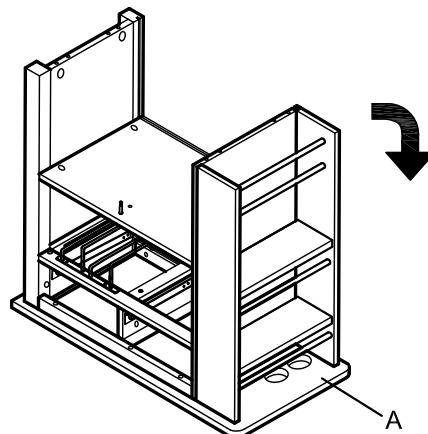
Insert Cam-Locks (11) into the designated holes above the holes where the Cam-bolts (10) are inserted. Use a Flat Screwdriver (23) and turn clockwise to lock onto the Cam-Bolts (10). Refer to the instructions on inserting and tightening Cam-Locks (11). Place the left Side Panel (E) onto the Center Panel (I) and Center Frame (H).

Step 12



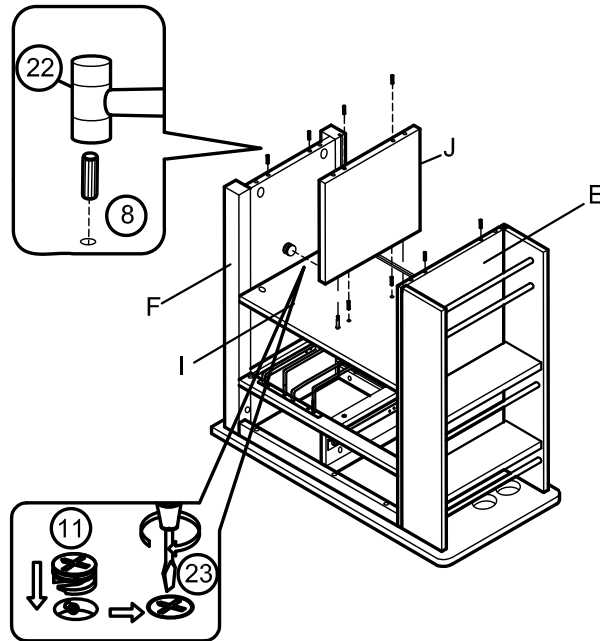
Insert Cam-Locks (11) into the designated holes above the holes where the Cam-Bolts (10) are inserted. Use a Flat Screwdriver (23) and turn clockwise to lock onto the Cam-Bolts (10). Refer to the instructions on inserting and tightening Cam-Locks (11). Affix the complete assemble of the Side Shelf to the Left Side Panel (E).

Step 13



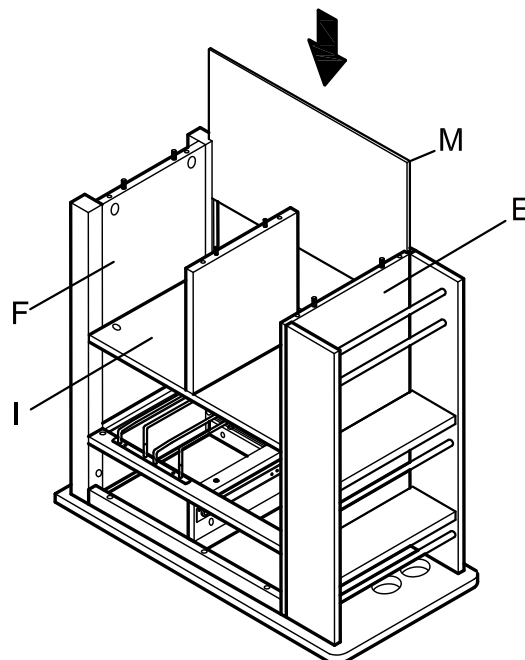
Turn the Top (A) so it is facing downwards as shown in the diagram above.

Step 14



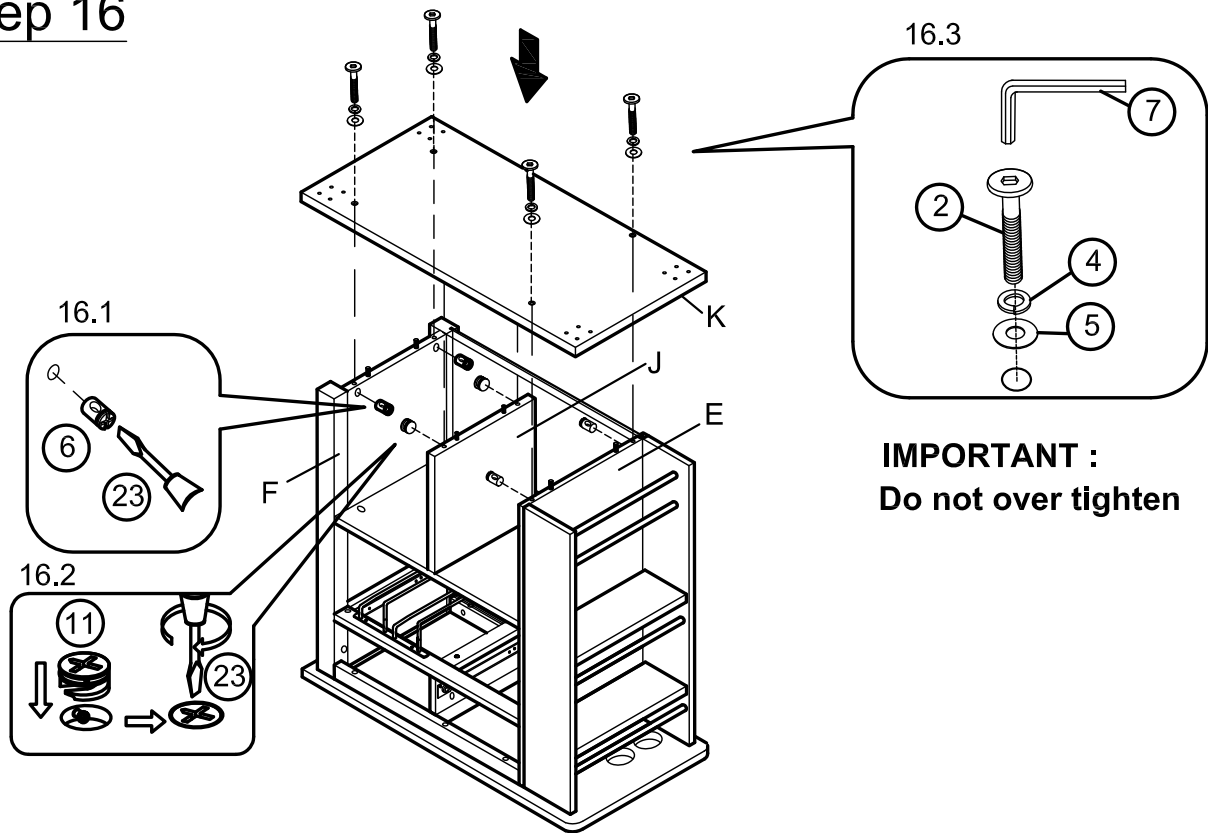
Insert Wood Dowels (8) into the Right Side Panel (F), the Divider-B (J), the Center Panel (I) and the Left Side Panel (E) using a Rubber Hammer (22). Insert Cam-Locks (11) into the designated holes on the top of the Divider-B (J) above the holes where the Cam-Bolts (10) are inserted. Use a Flat Screwdriver (23) and turn clockwise to lock onto the Cam-Bolts (10). Refer to the instructions on inserting and tightening Cam-Locks (11).

Step 15



Insert the Lower Back Panel (M) into the groove on the Right Side Panel (F) and the Left Side Panel (E). Check that the Back Panel (M) also fits into the groove on the Center Panel (I).

Step 16

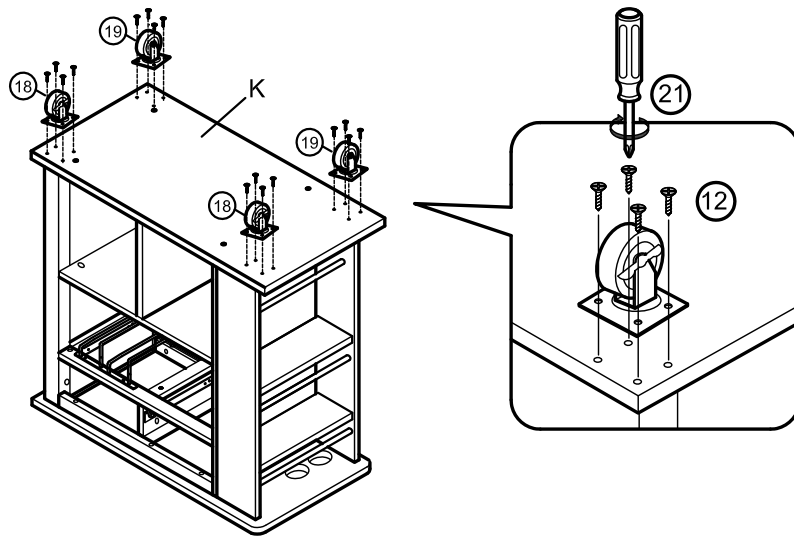


16.1
Insert Barrel Nuts (⑥) into the Right Side Panel (F) and the Left Side Panel (E). Use a Flat Screwdriver (⑳) to insert the Barrel Nuts (⑥).

16.2
Insert Cam-Locks (⑪) into the designated holes on the bottom of the Divider-B (J) above the holes where the Cam-Bolts (⑩) are inserted.

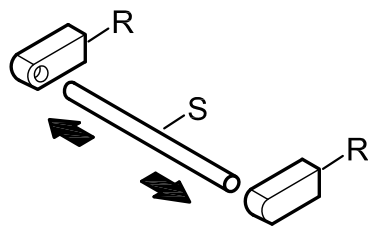
16.3
Affix the Bottom Panel (K) with Bolts (②), Spring Washers (④) and Flat Washers (⑤) using the Allen Key (⑦) to tighten. Use a Flat Screwdriver (⑳) and turn clockwise to lock onto the Cam-Bolts (⑩). Refer to instructions on inserting and tightening Cam-Locks (⑪). **(Important : Do not over tighten the Bolts (②)).**

Step 17



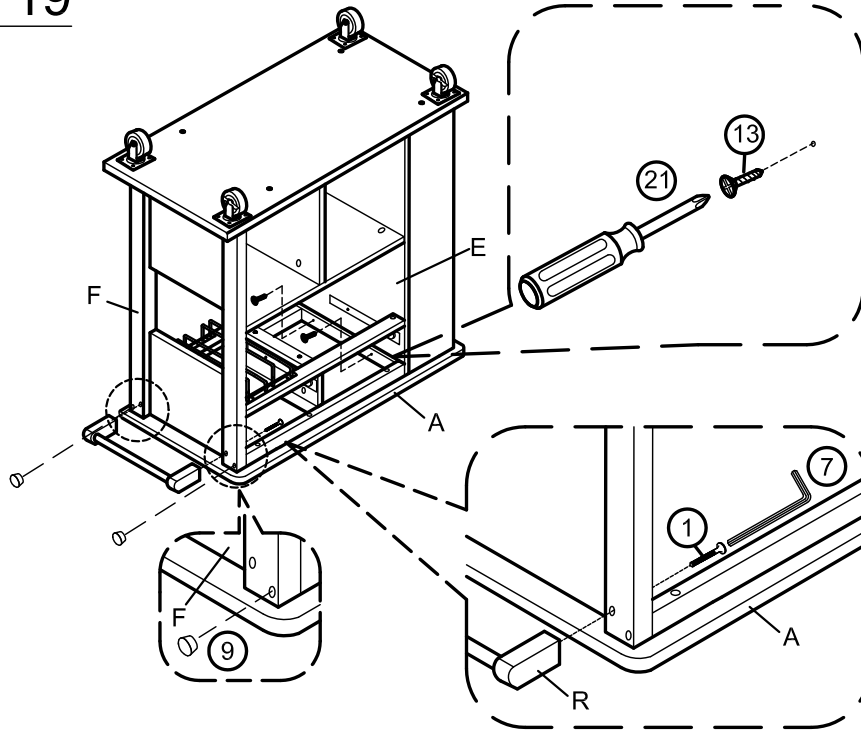
Place Casters (18) on the front corners of Bottom Panel (K) and Casters (19) on the rear corners as shown. Use a Philips Screwdriver (21) to drive in the Chipboard Screws (12) in order to fasten the casters.

Step 18



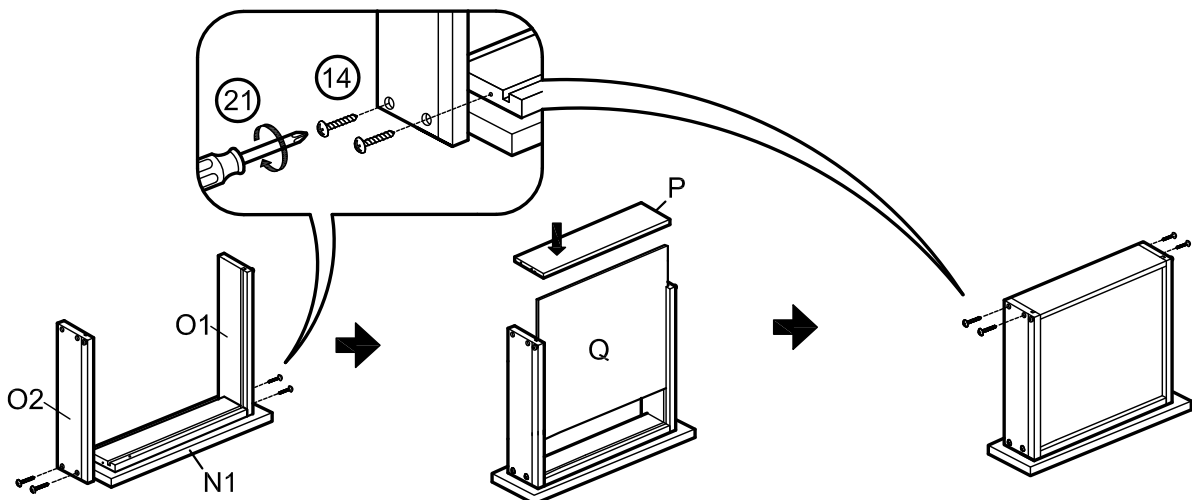
Insert the Rod (S) into the Holders (R) as this stage.

Step 19



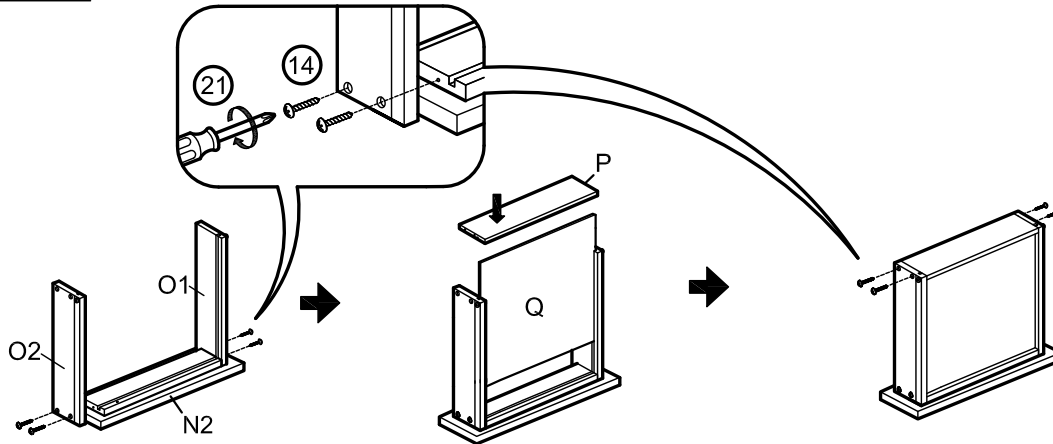
Fasten the assemble Holders with Bolts (①), using the Allen Key (⑦) to tighten. Align Chipboard Screws (⑬) with the holes on the Top (A) and Left Side Panel (E), then use a Philips Screw Driver (⑳) to tighten the screws. Affix Wood Plugs (⑨) to cover the Bolt holes on the Right Side Panel (F).

Step 20



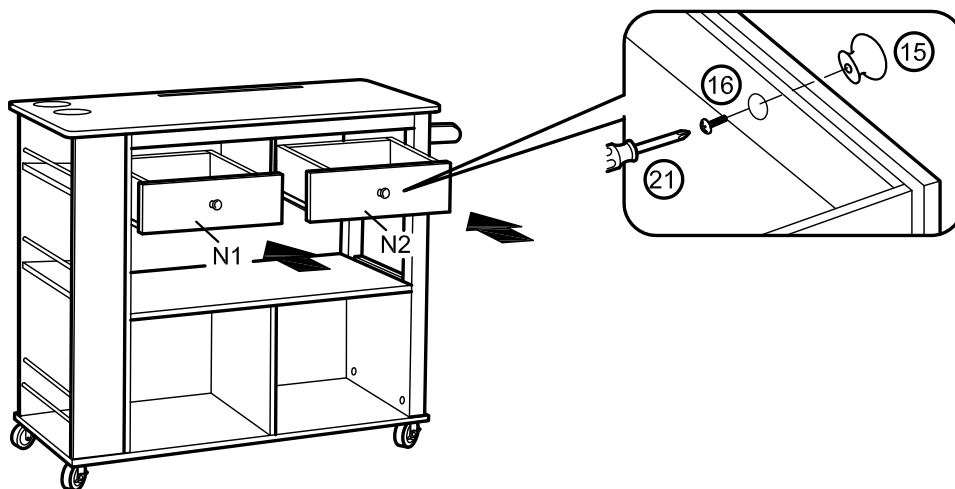
Place The Drawer Face (N1) with the interior side facing up as shown, taking care not to scratch its exterior surface. Position the Left Side Drawer Panel (O1) and the Right Side Drawer Panel (O2) as shown above. Attach with Pan Head Screws (14), using a Philips Head Screwdriver (21) to tighten. Attach the Bottom Drawer Panel (Q) and the Back Drawer Panel (P) as shown, with Pan Head Screws (14) using a Philips Head Screwdriver ((21)).

Step 21



Place The Drawer Face (N2) with the interior side facing up, as shown, taking care not to scratch its exterior surface. Position the Left Side Drawer Panel (O1) and the Right Side Drawer Panel (O2) as shown. Attach with Pan Head Screws (14) using a Philips Head Screwdriver ((21)). Attach the Bottom Drawer Panel (Q) and the Back Drawer Panel (P) as shown, with Pan Head Screws (14) using a Philips Head Screwdriver ((21)).

Step 22

































Affix the Knob Handles (15) to the Drawer Faces (N1) and (N2) with Handle Screws (16) using a Philips Screw Driver (21). Insert the assembled Drawer accordingly at this stage.

Step 23



Your Kitchen Storage Cart is now ready for use. This Kitchen Cart can only be used on a flat, level surface.

Care & Maintenance

- 


 Do not put hot items directly on furniture surface
 - 


 Do not clean furniture with harsh cleansers or polish.
 - 


 Do not place furniture under direct sunlight.
 - 


 Do not place furniture near heating or cooling vents.
 - 


 Do not write on furniture without a padded barrier to protect the surface.
 - 


 Do not place furniture outside . For indoor use only .
 - 


 Not for commercial use. For residential use only .
 - 


 Stains may be removed with mild soap solution and damp cloth.
 - 


 Children should not climb or jump on the furniture.
-
- 


 Dust and pick-up spills using a clean, non-colored, lint-free cloth .