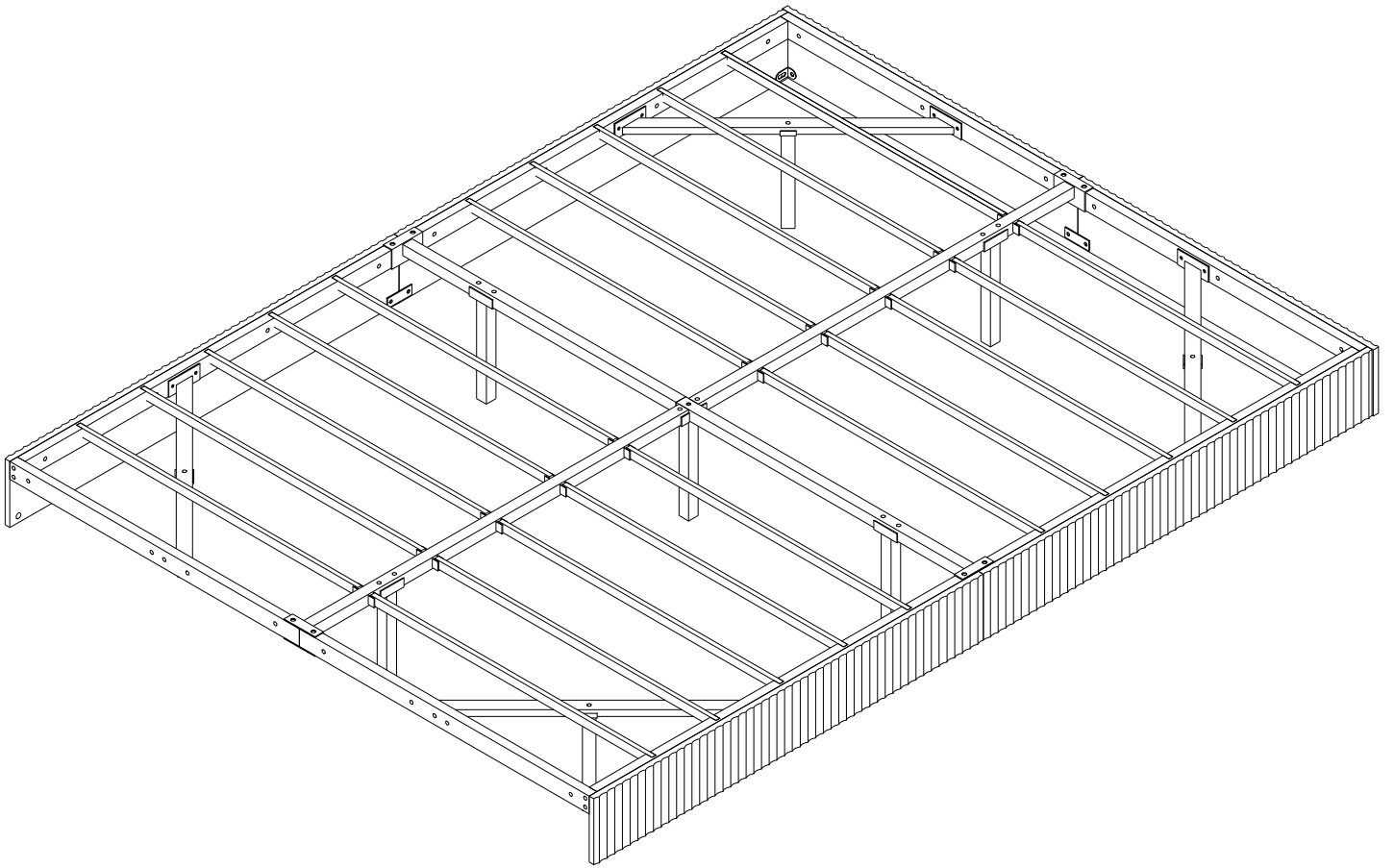
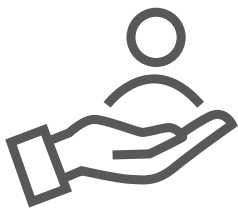


Assembly instruction

BED



“



Warm Reminder

If you experience any issues with our product (including missing parts, damage, installation problems, or not meeting expectations), please contact us. We will provide satisfactory assistance within 24 hours.

”

General Guidelines

- Please read the following instructions carefully and use the product accordingly
- Please keep this manual and hand it over when you transfer the product.
- This summary may not include every detail of all variations and considered steps. Please contact us when further information and help are needed.

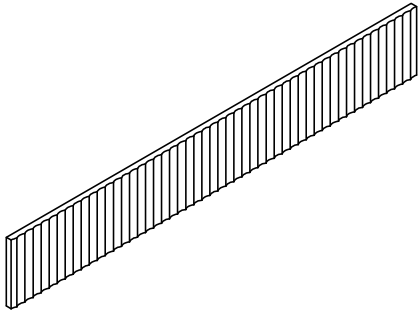
Notes

- The product is intended for indoor use only. The product must be assembled and used in accordance with the provisions of the manual. Personal injury and/or damage to product may occur if it used outside of its intended purposes and/or if it has been changed/modified from its original design.
- The seller does not assume any responsibility or liability for any injury/damage caused by incorrect assembly or improper use.
- Avoid long-term exposure to humid environments to prevent mildew.
- Keep the product away from fire sources and high temperatures. Do not expose the product to direct sunlight.
- Do not place any hot objects on the surface of the product.
- If there are any defective or missing parts after unpacking, please cease assembly immediately and contact us.
- Please assemble the item on a spacious surface and do not place the unwrapped product directly on the ground to avoid product damage.
- Please do not stand or sit on the wooden boards.
- Please wear gloves during the assembly and/or disassembly process to avoid scratches from any sharp edges.
- Please match the corresponding part and fitting based on the part number in the manual.
- If the part does not match with the fitting, please check the piece as specified in this manual.
- During assembly, first loosely align all screws with the corresponding pre-drilled holes and then tighten the screws one by one.
- Periodically inspect screw tightness while the product is in use. If necessary, retighten to ensure structural integrity.
- If you accidentally spill water or another liquid on the surface, immediately wipe clean with a dry towel.
- Please keep the product away from sharp, pointed objects and corrosive substances to prevent product damage.
- Please place this item on level, solid ground during use.

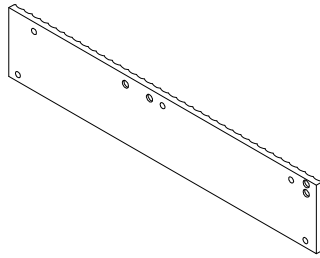
Warnings

- During assembly, keep all small parts out of the reach of children. It may be fatal if swallowed or inhaled.
- To avoid the potential dangers of suffocation, please keep all parts and packaging (film, plastic bags, foam, etc.) away from babies and children.
- Keep sharp objects and corrosive items away from the product to avoid any damage or injury.

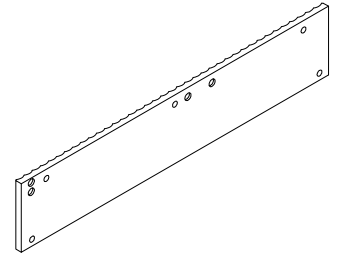
Part list



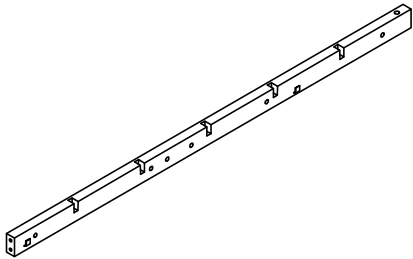
① X4



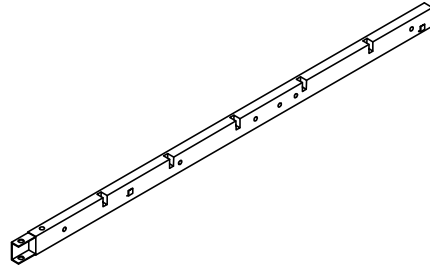
② X1 L



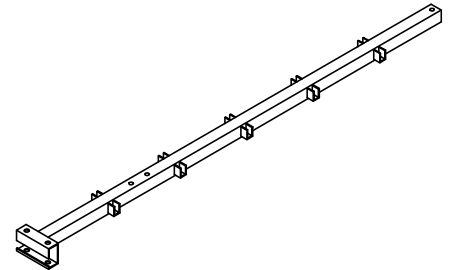
③ X1 R



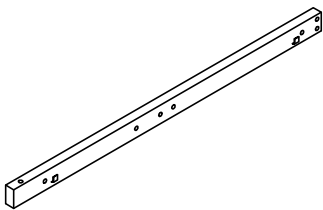
④ X2



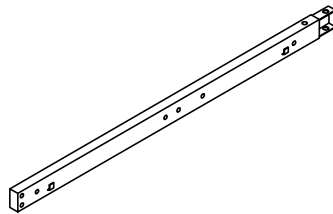
⑤ X2



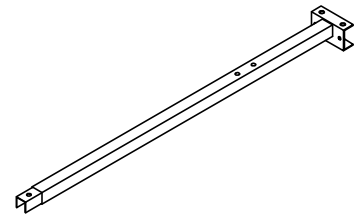
⑥ X2



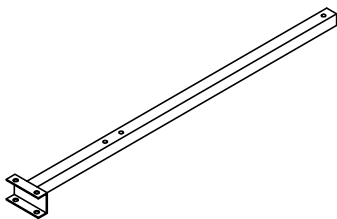
⑦ X2



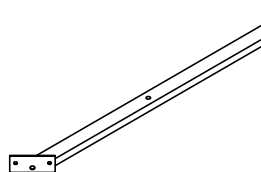
⑧ X2



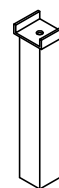
⑨ X1



⑩ X1

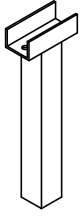


⑪ X4

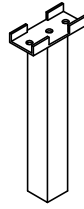


⑫ X4

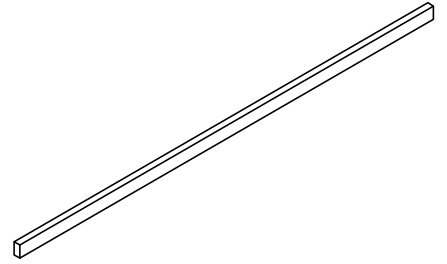
Part list



⑬X4

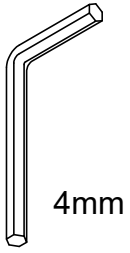


⑭X1

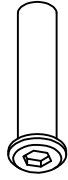


⑮X20

Hardware list



A X2



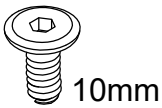
B X8+1



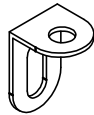
C X31+2



D X38+2



E X10+2



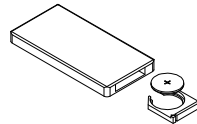
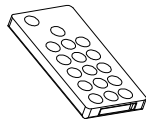
F X2



G X3



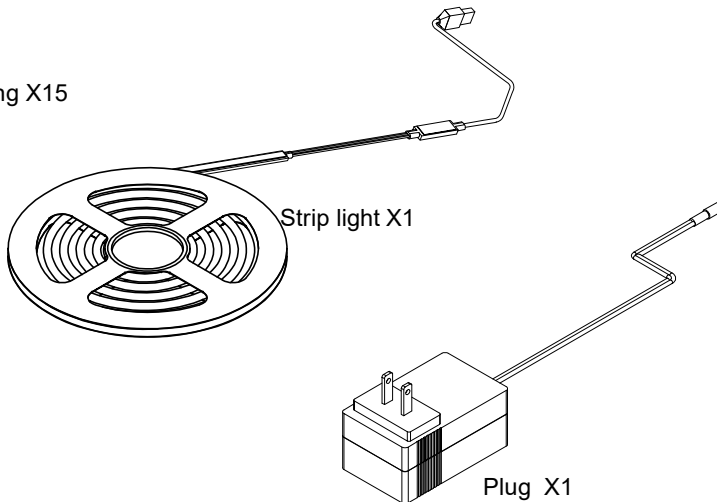
Remote control X1



Please remove the plastic film here before using the remote control.

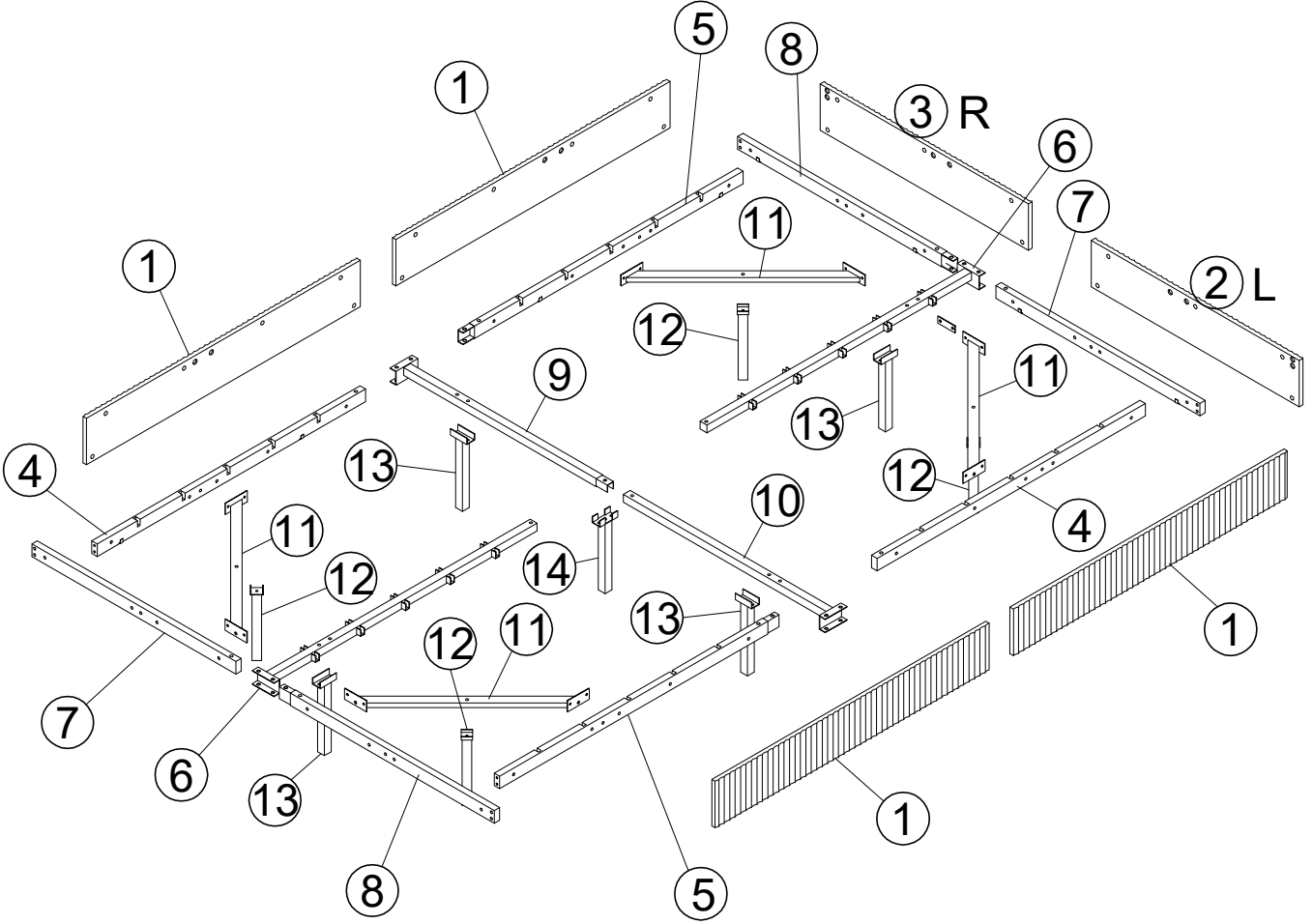
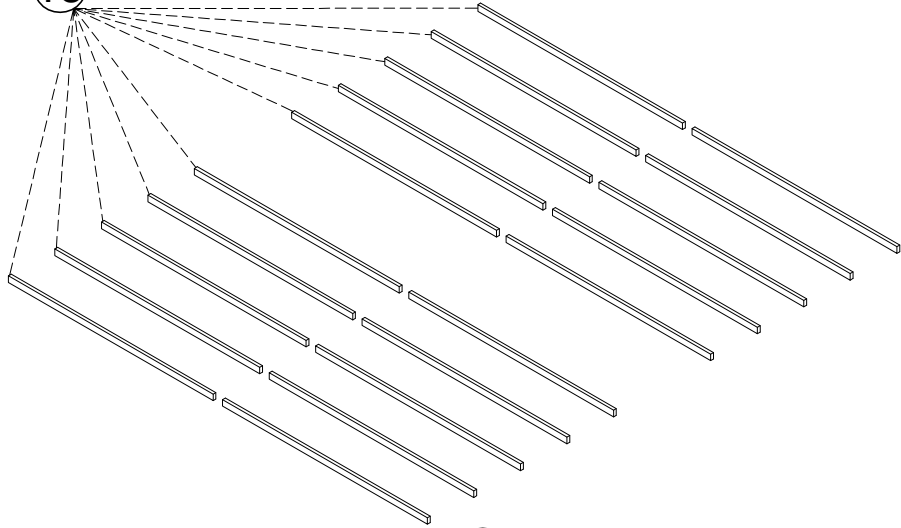


Snap fastening X15



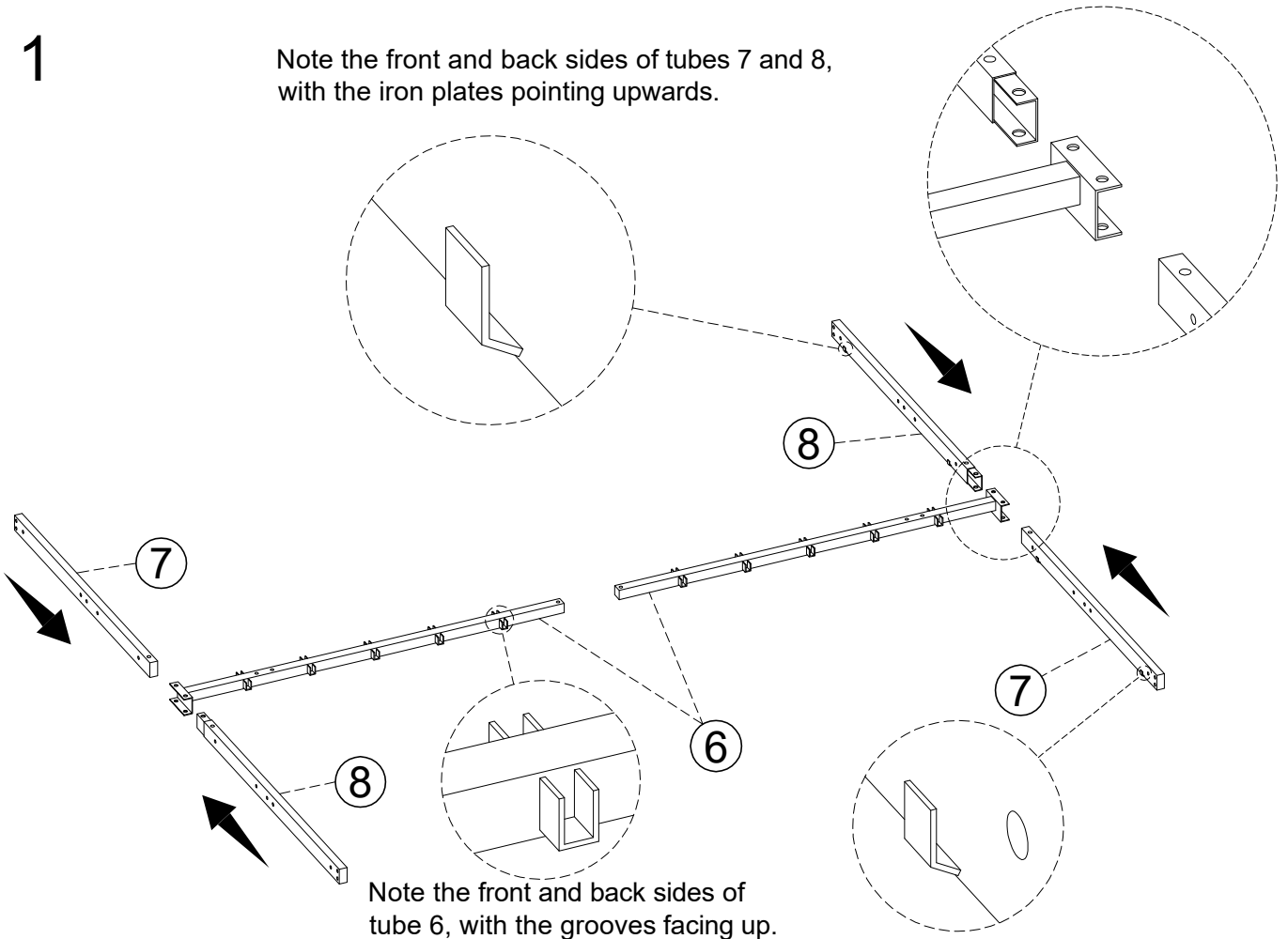
H X1

15

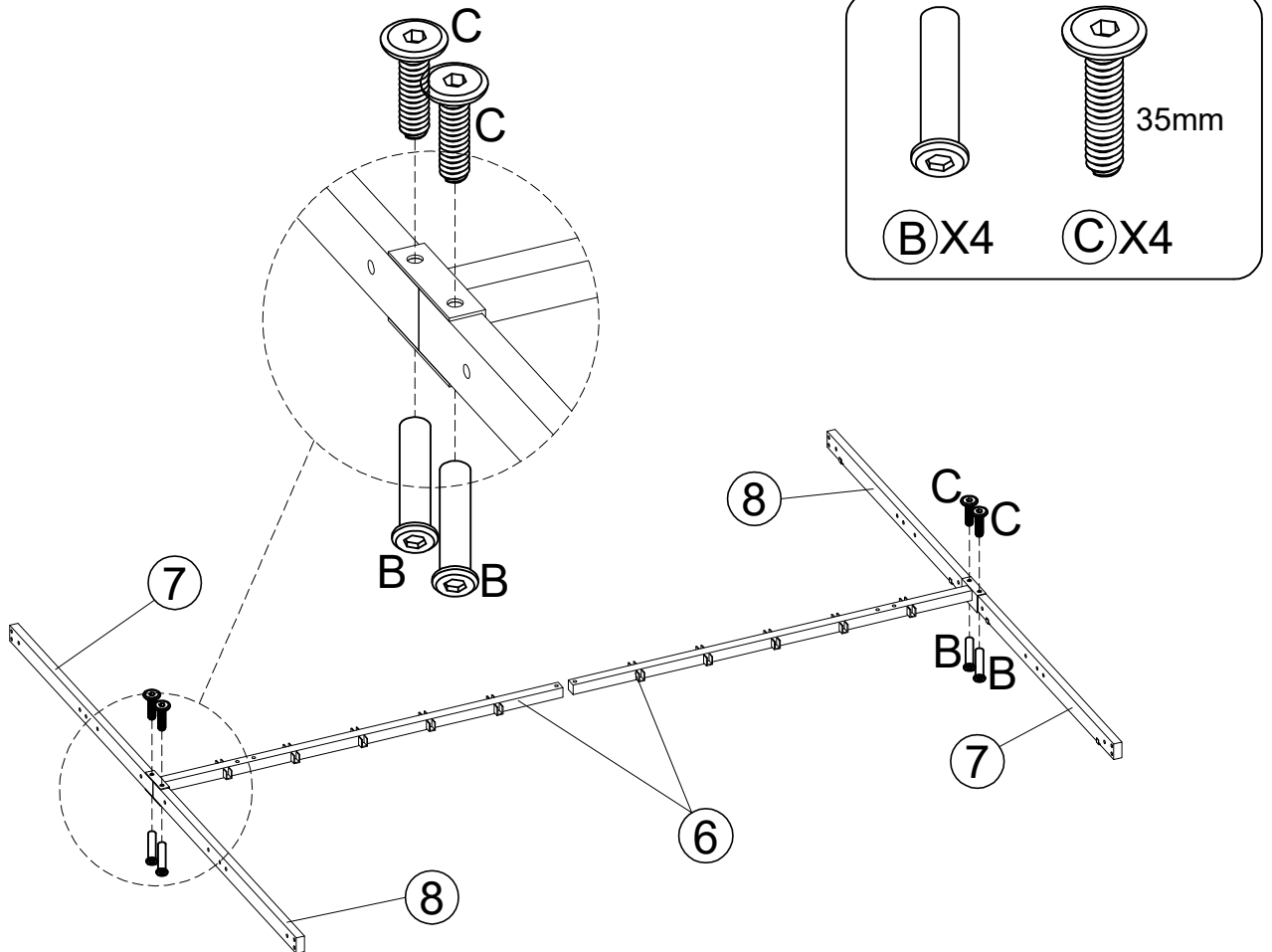


1

Note the front and back sides of tubes 7 and 8, with the iron plates pointing upwards.

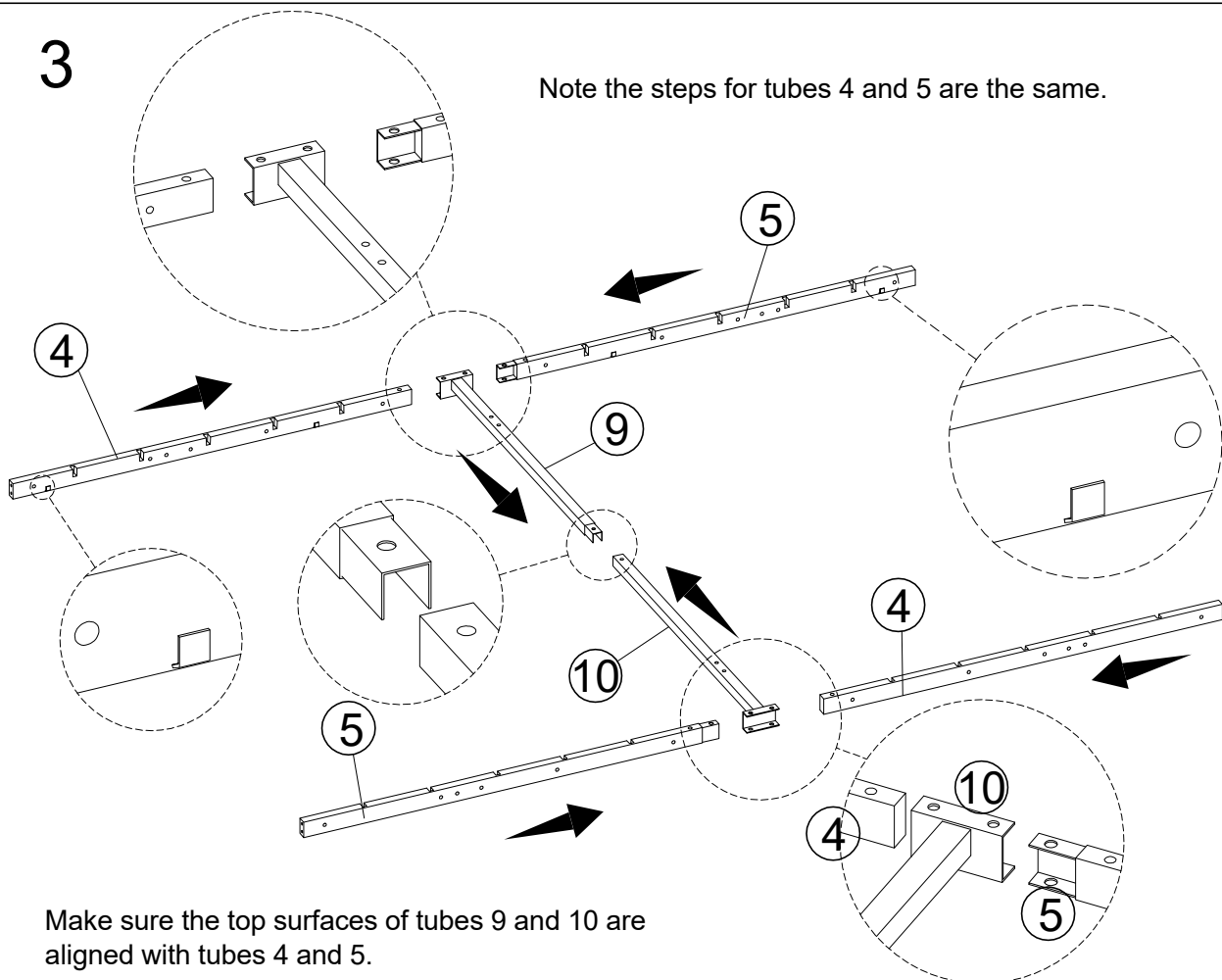


2



3

Note the steps for tubes 4 and 5 are the same.



4

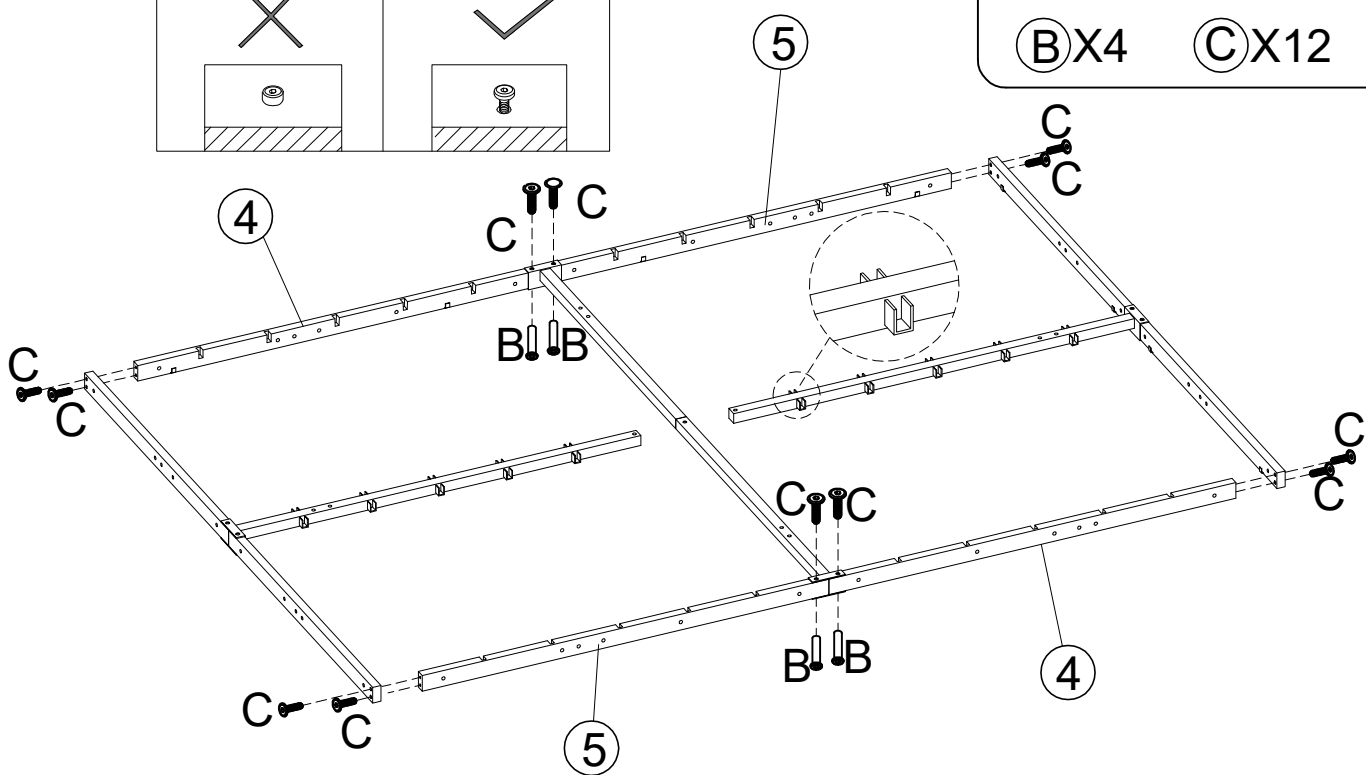
Please tighten the screws to 80% first, and tighten all screws 100% after all parts are assembled.

--	--

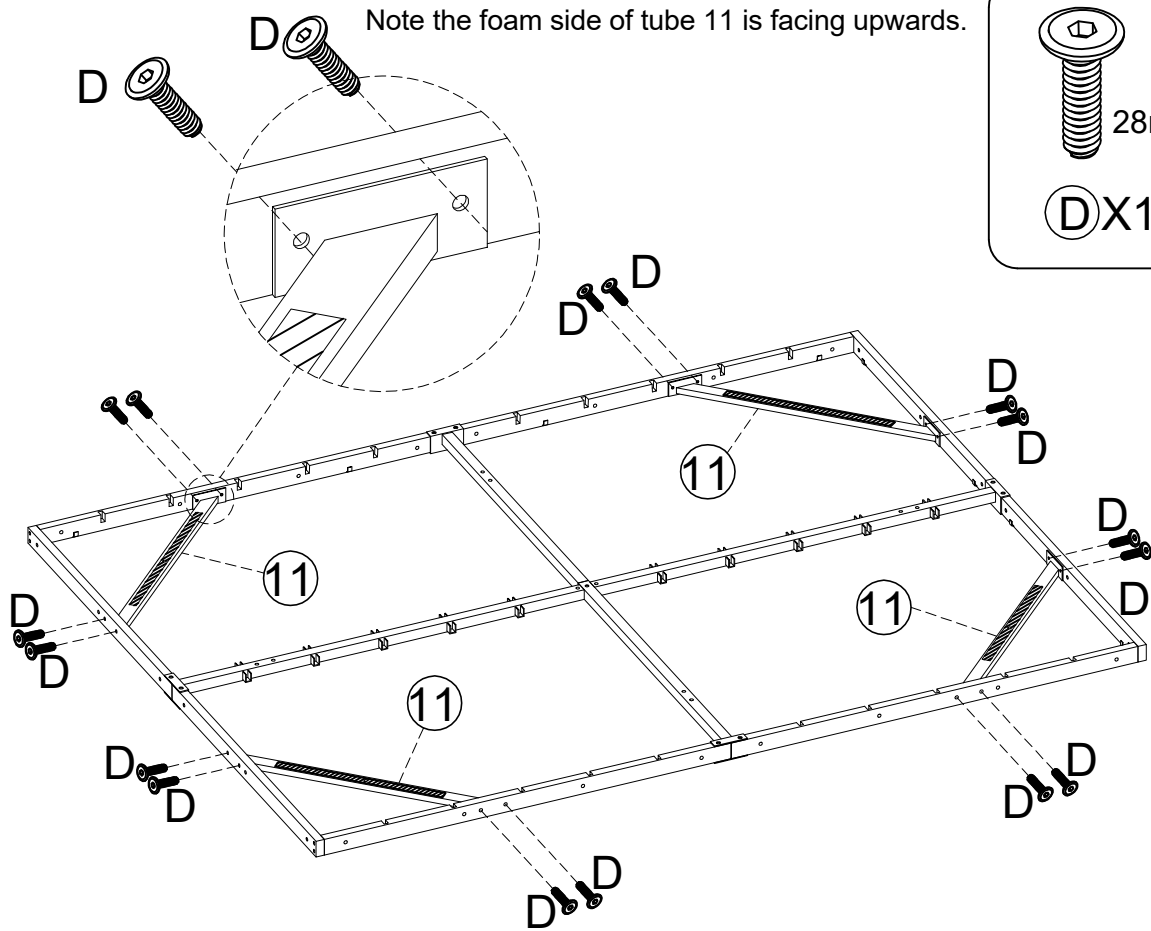
(B) X4

(C) X12

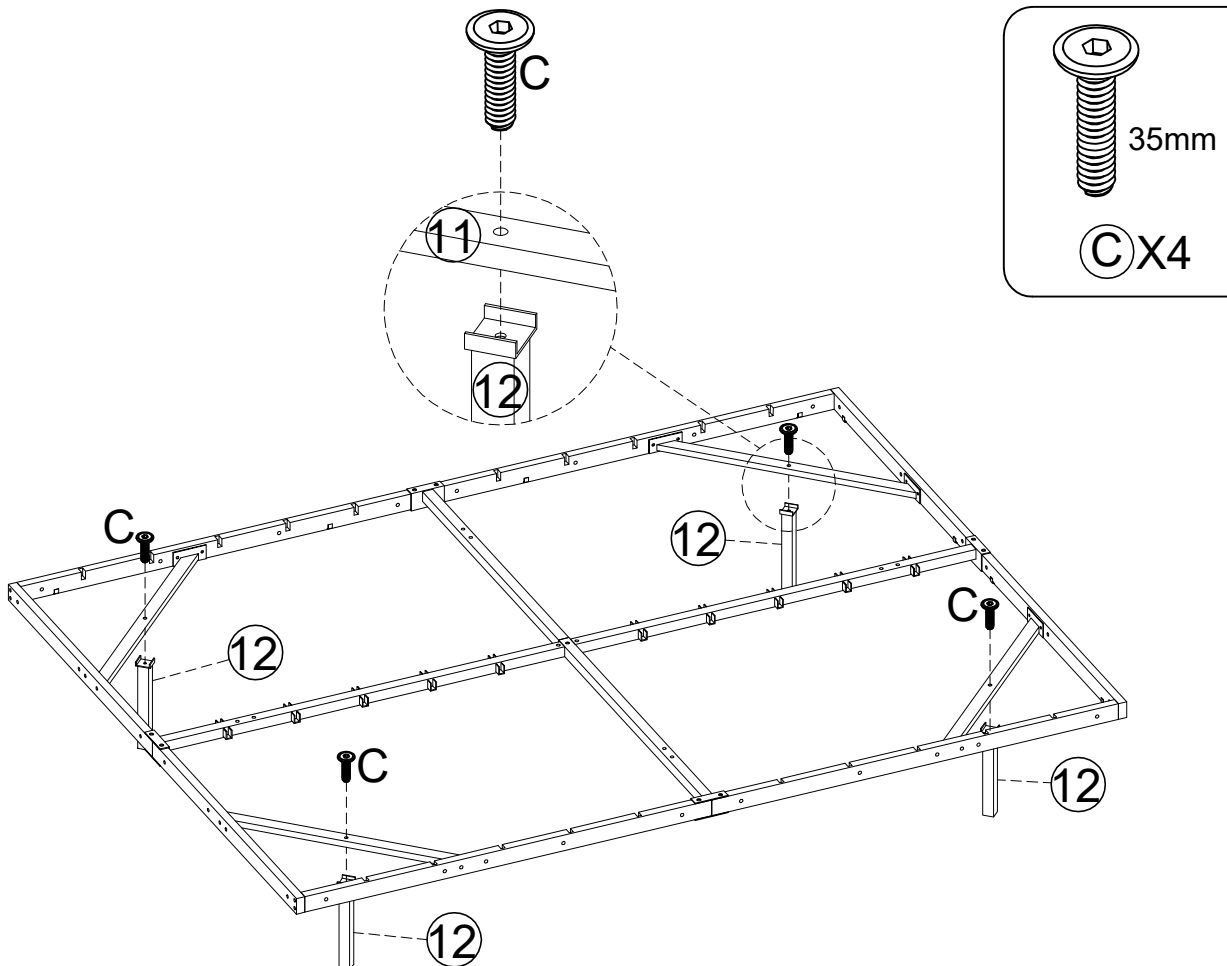
35mm



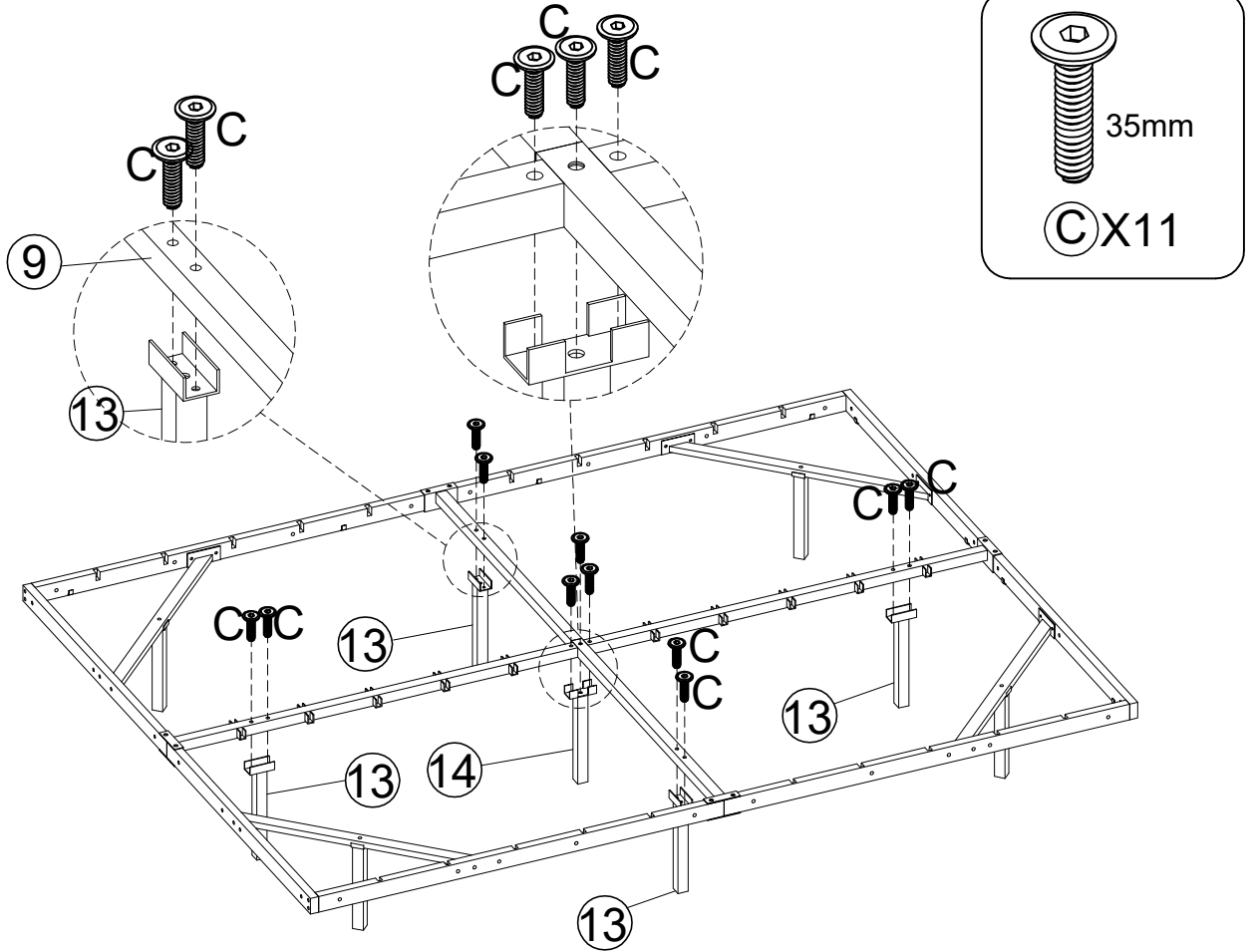
5



6

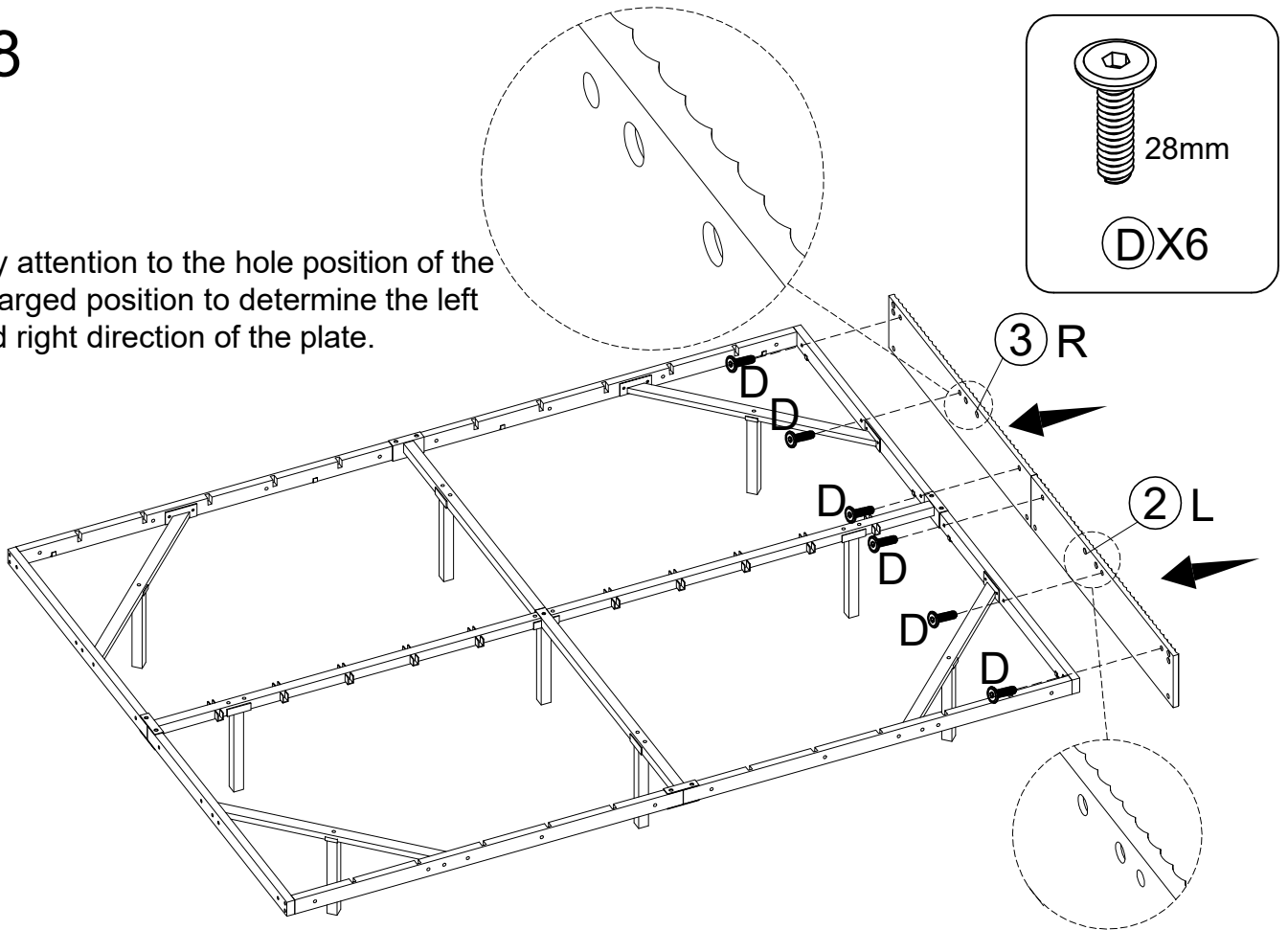


7

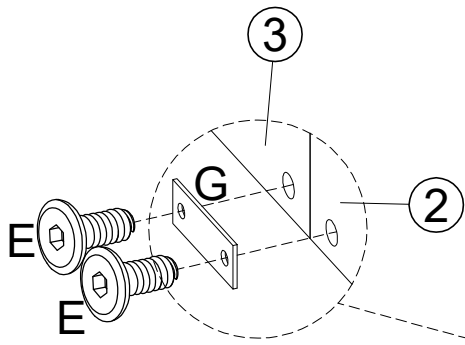


8

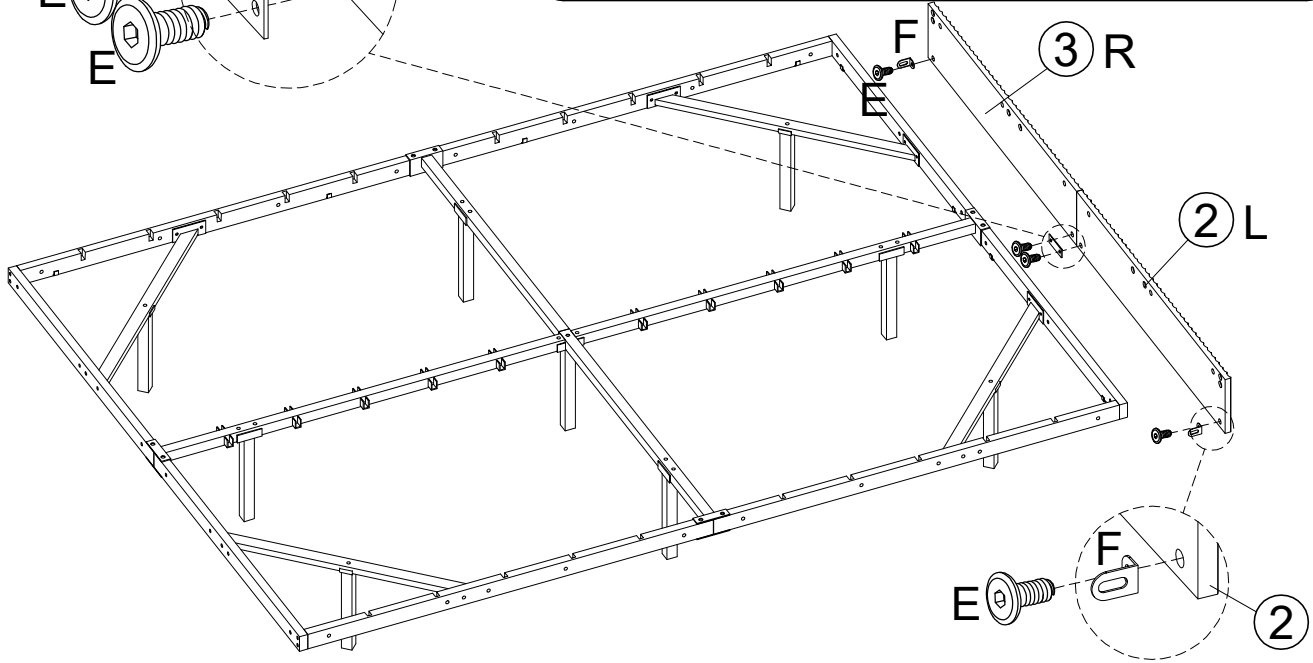
Pay attention to the hole position of the enlarged position to determine the left and right direction of the plate.



9

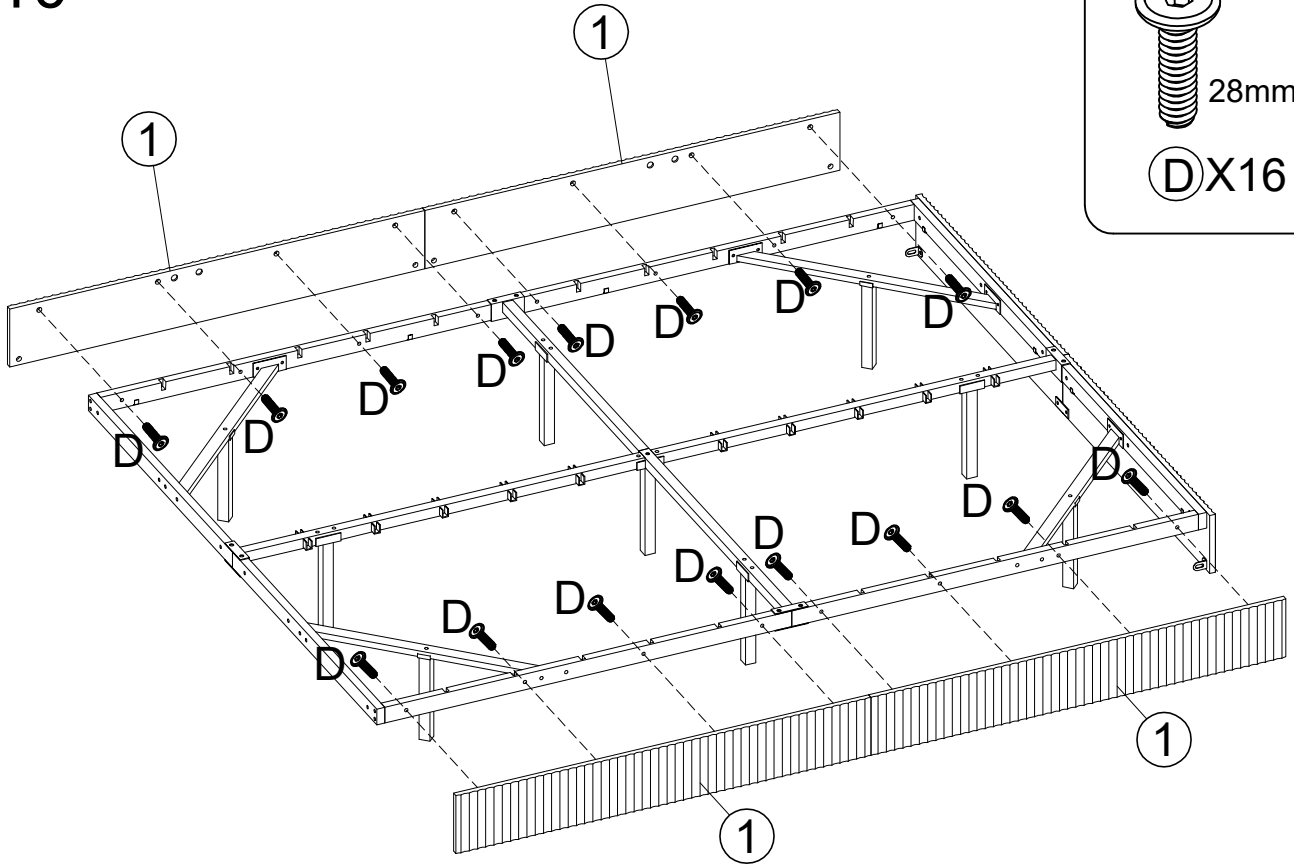


G X1	F X2	E X4	D X6

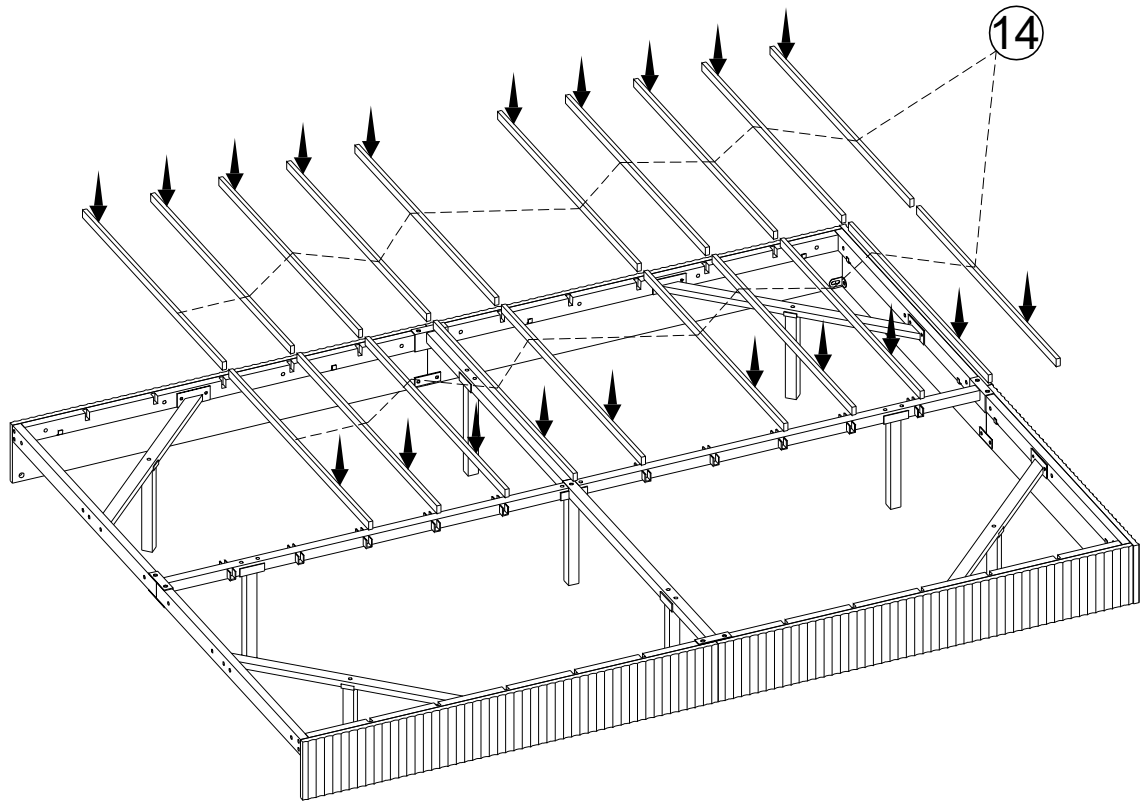


10

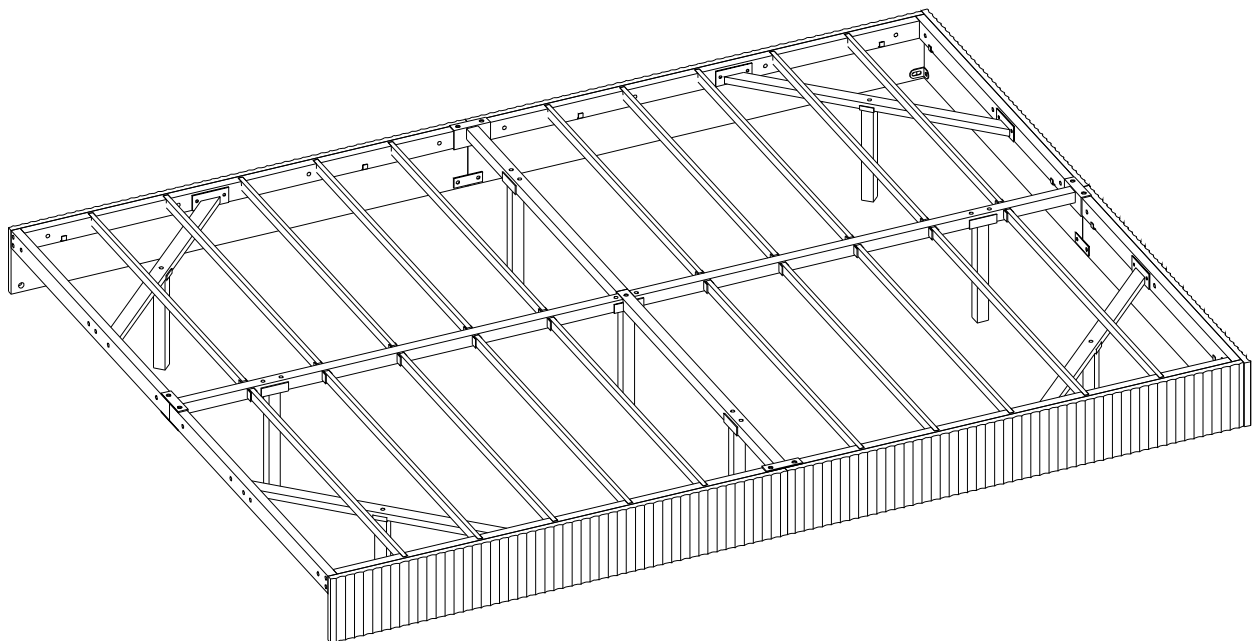
D X16



13



14



【Attention】
After completing all installation steps, ensure each screw is fully tightened.
If any screw is loose, tighten it completely.