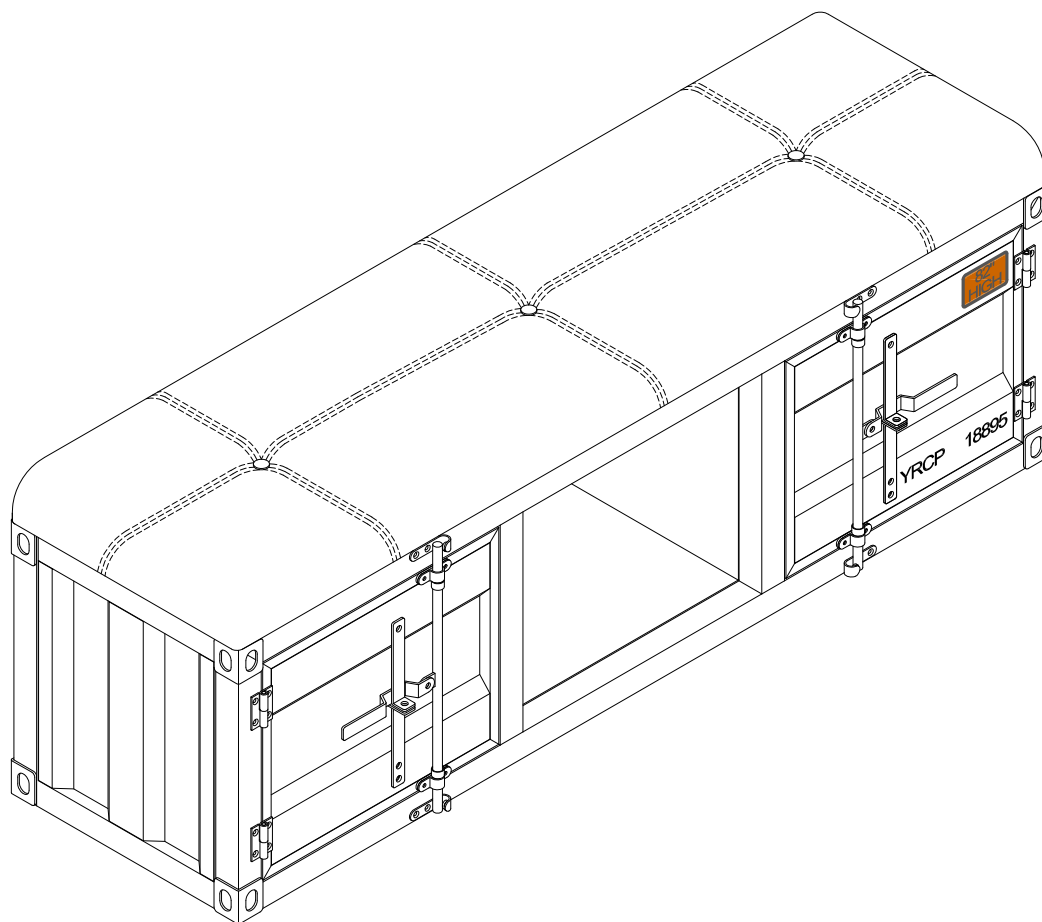
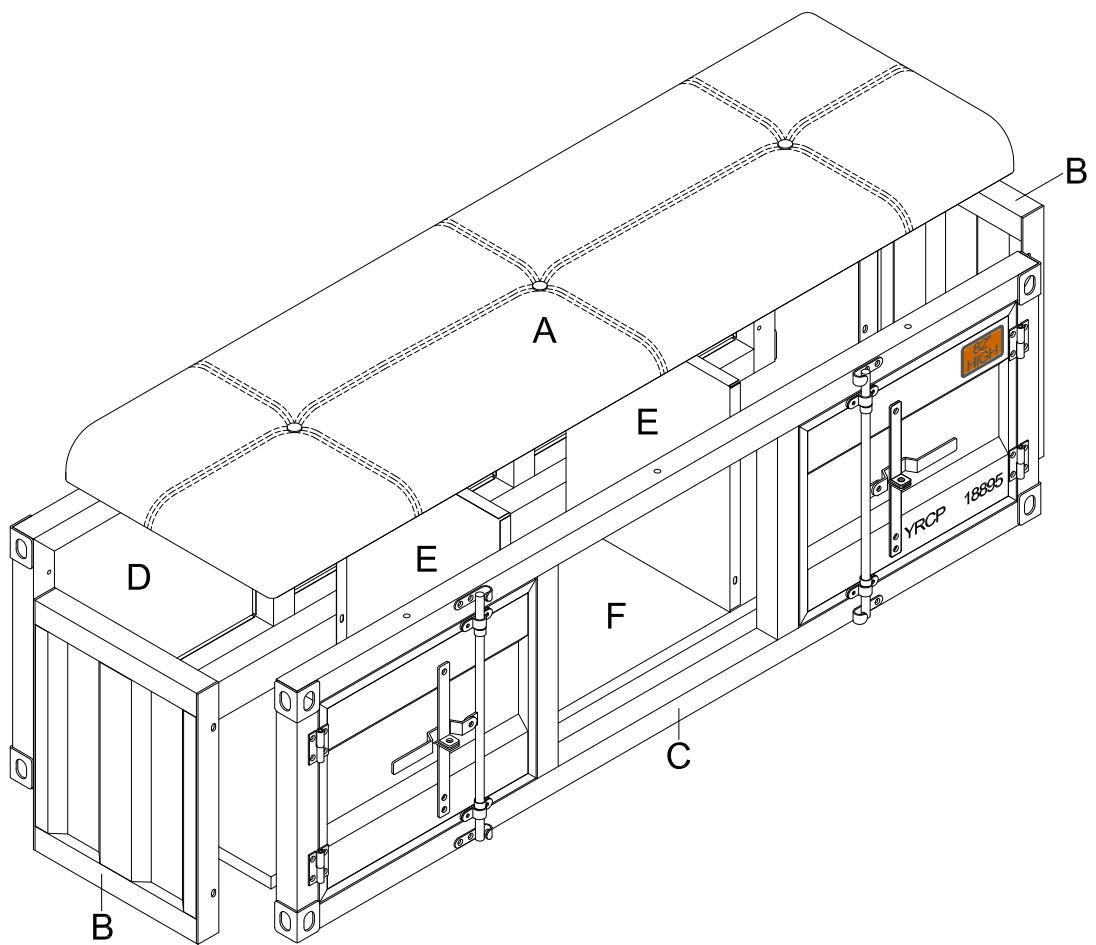


ASSEMBLY INSTRUCTIONS

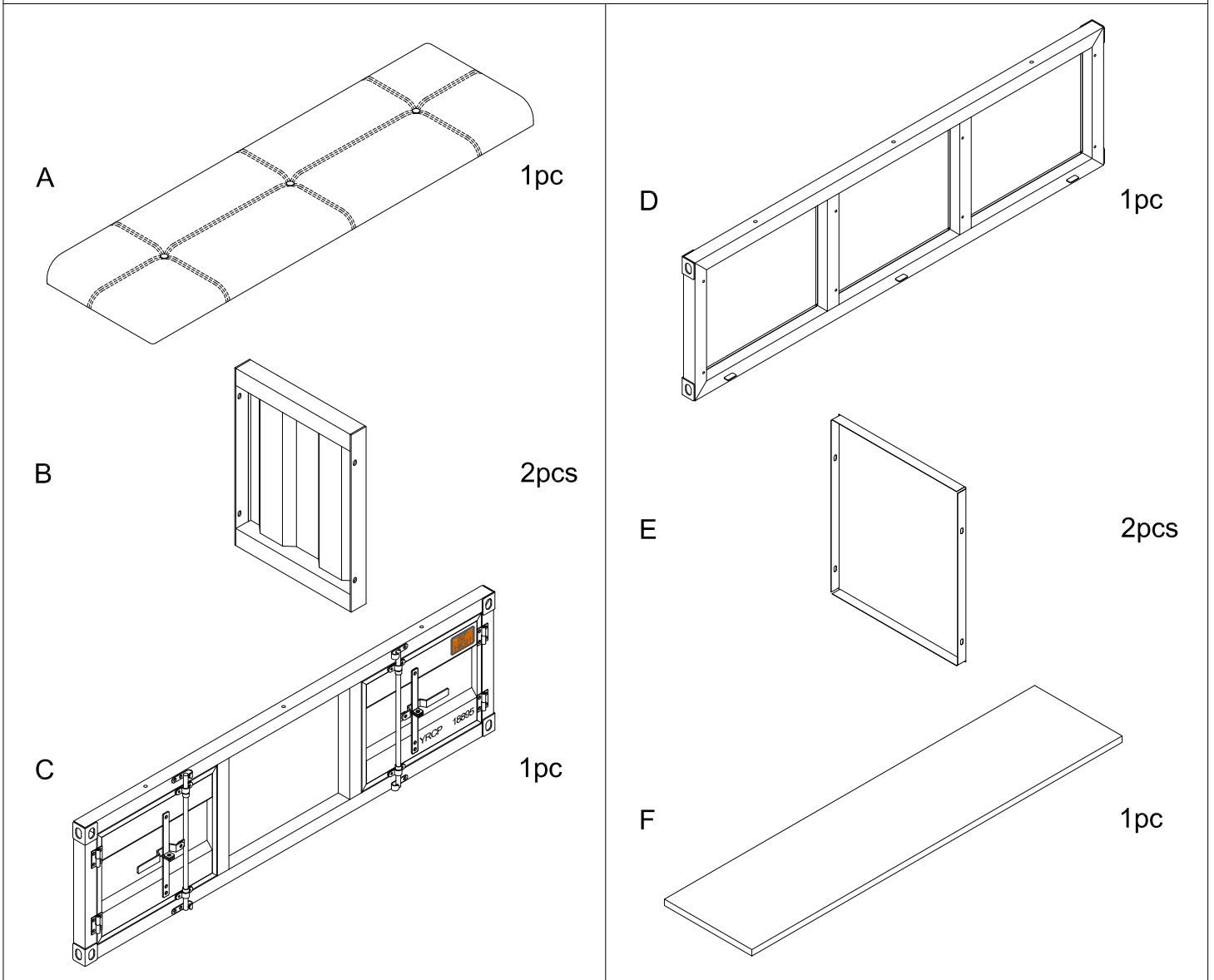


Do not tighten screws until completely assembled.

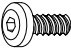
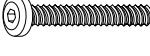
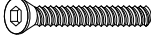


PARTS IDENTIFICATION

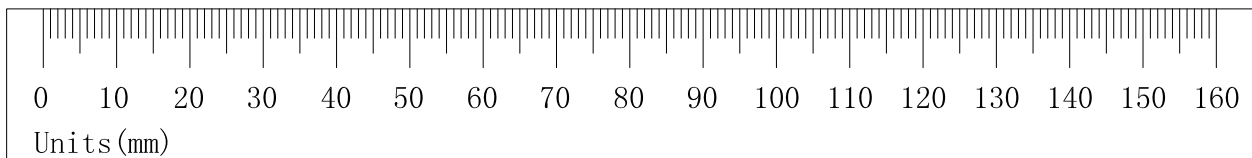


PARTS IDENTIFICATION

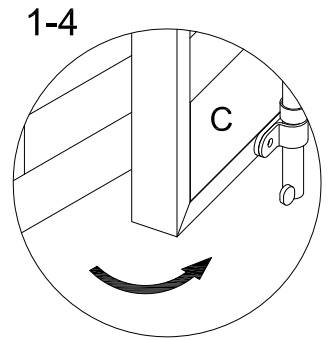
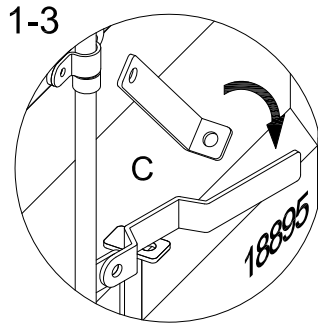
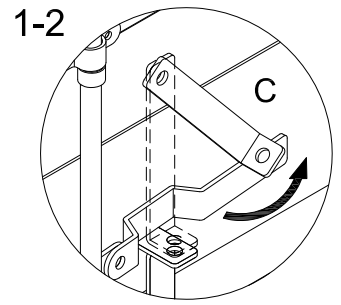
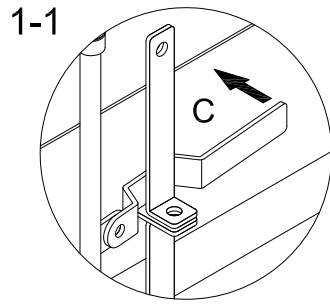
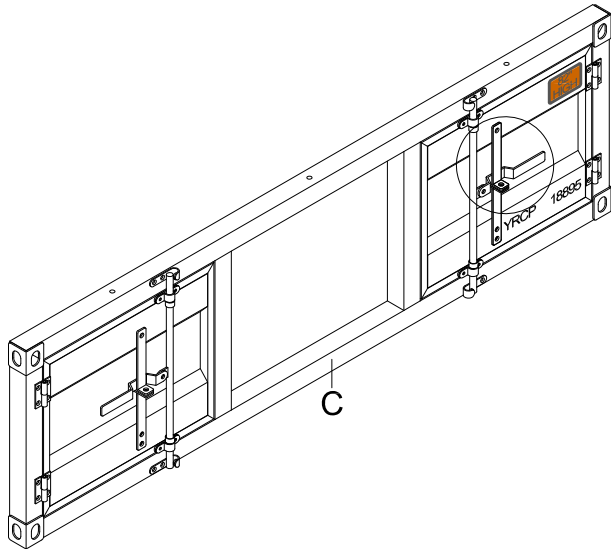


HARDWARE LIST

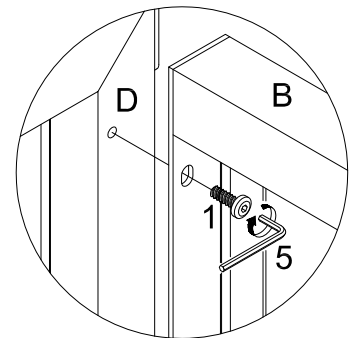
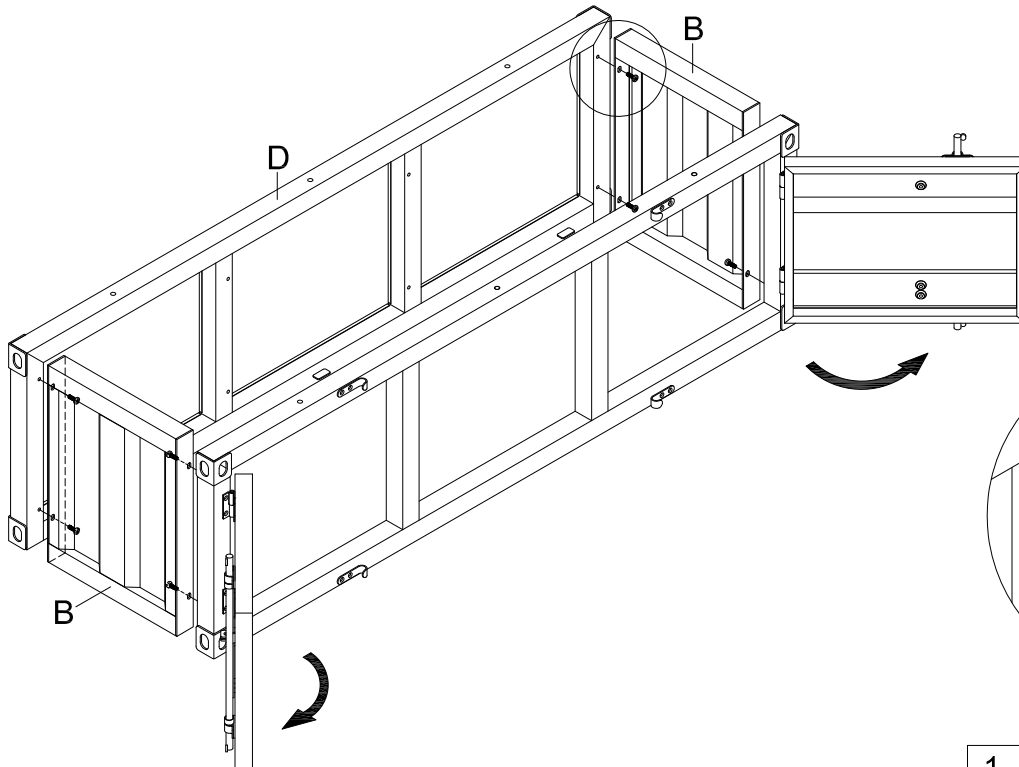
| | | |
|---|---|---|
| <p>1 M6x15</p>  <p style="text-align: right;">8pcs</p> | <p>2 M6x60</p>  <p style="text-align: right;">4pcs</p> | <p>3 M6x60</p>  <p style="text-align: right;">2pcs</p> |
| <p>4 M5x10</p>  <p style="text-align: right;">8pcs</p> | <p>5 4x4</p>  <p style="text-align: right;">1pc</p> | |



STEP 1.

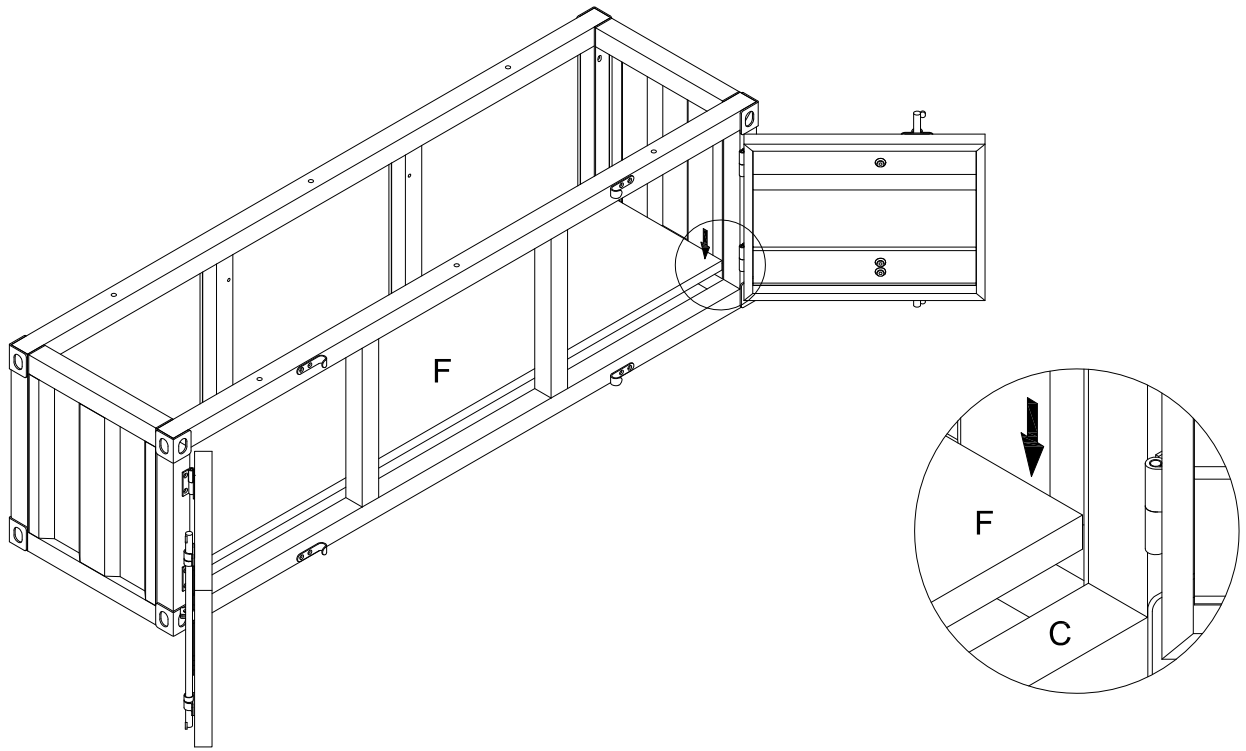


STEP 2.

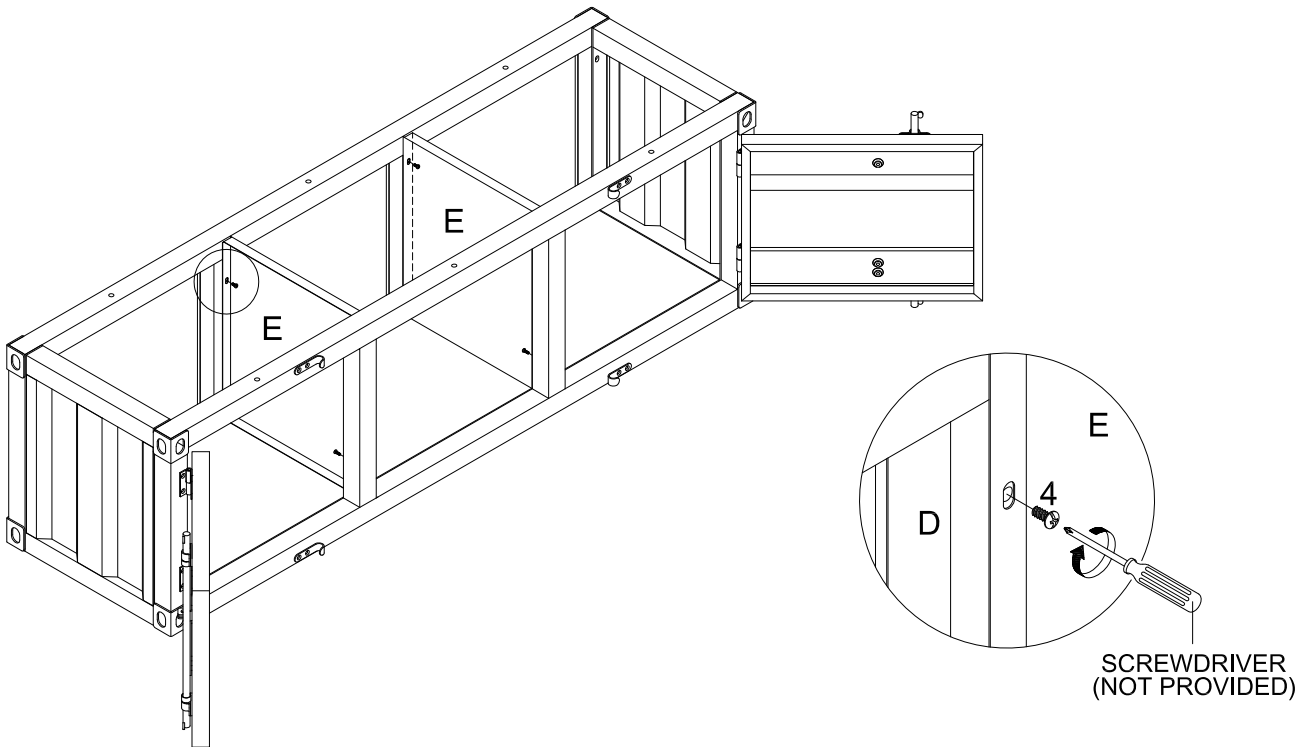


| | | |
|-------|---|------|
| 1 |  | 8pcs |
| M6x15 | | |

STEP 3.



STEP 4.



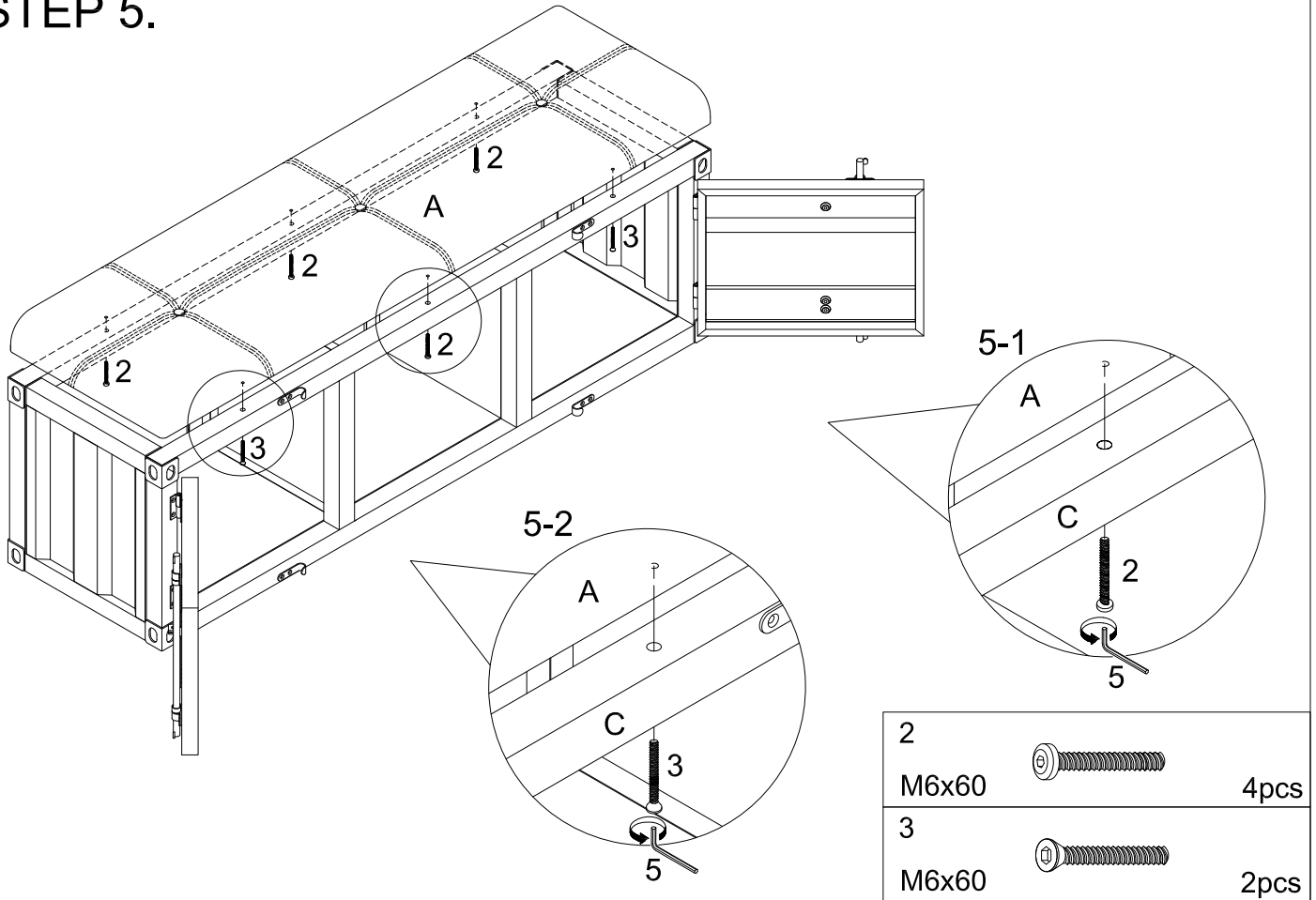
4

M5x10



8pcs

STEP 5.



STEP 6.

