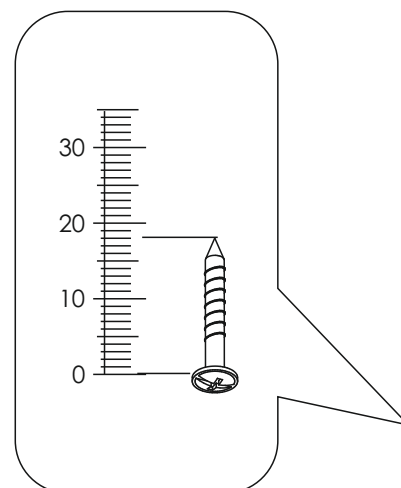
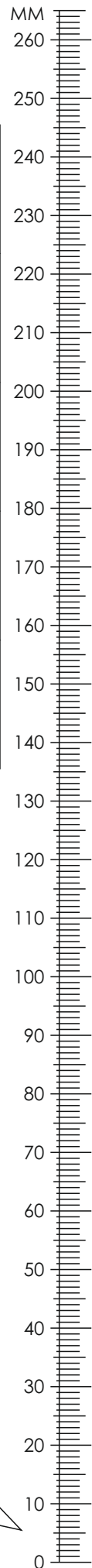
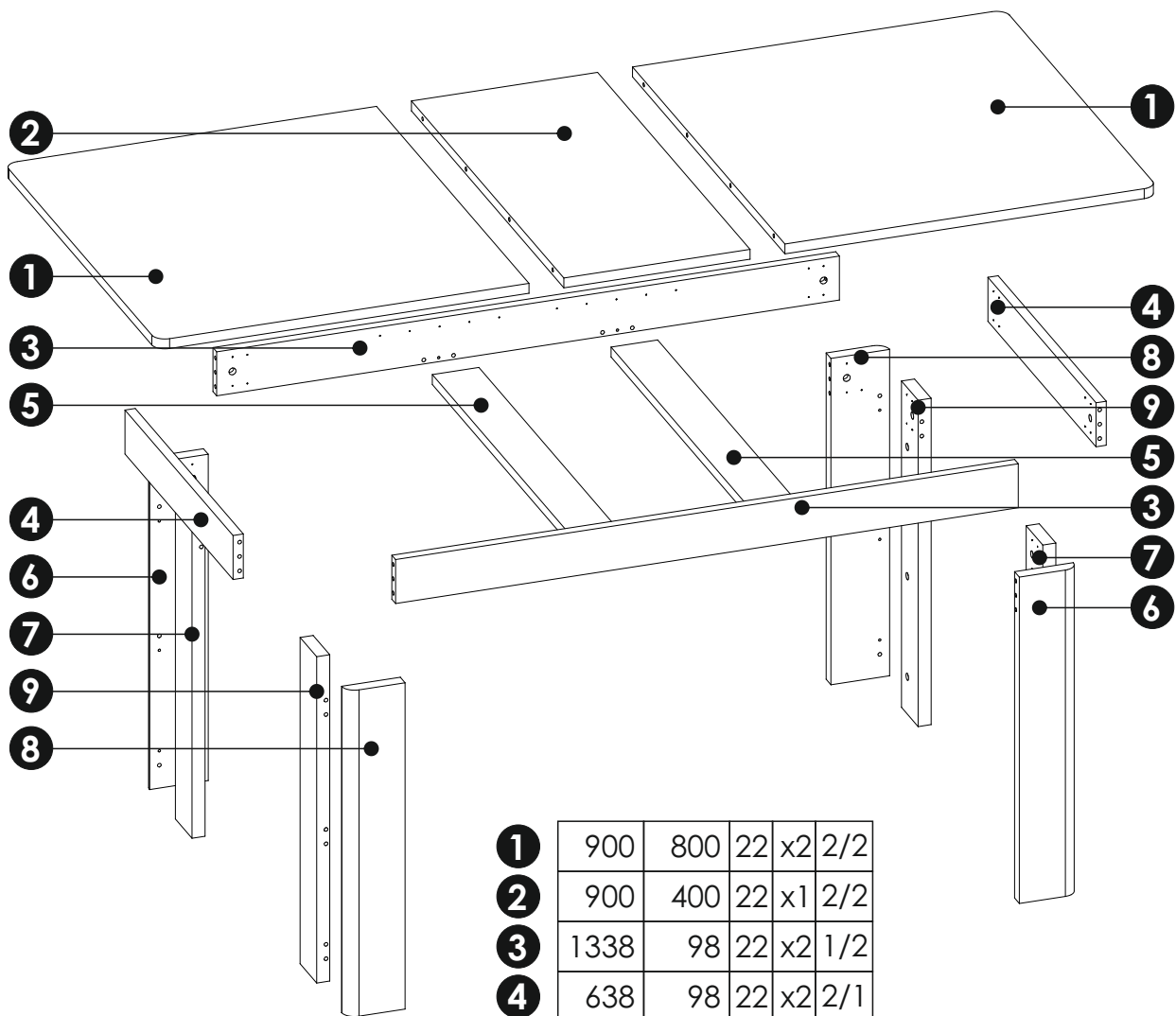
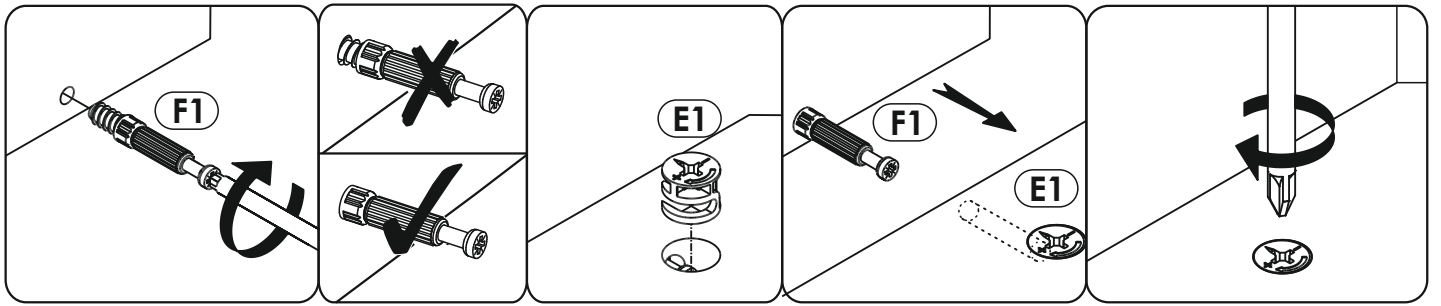


A1	8 x 35 mm	x20	A2	8 x 45 mm	x16	E0		x32
E1	15 x 12,5 mm	x32	F1	6 x 34 mm	x16	F3	7 x 58 mm	x8
I2	4 x 16 mm	x64	I8	4 x 20 mm	x20	M		x1
N2	3,5 X 16 mm	x20	O2		x8	O2A	ø20	x4
R8		x8	T0	L-700	x2	W		x4

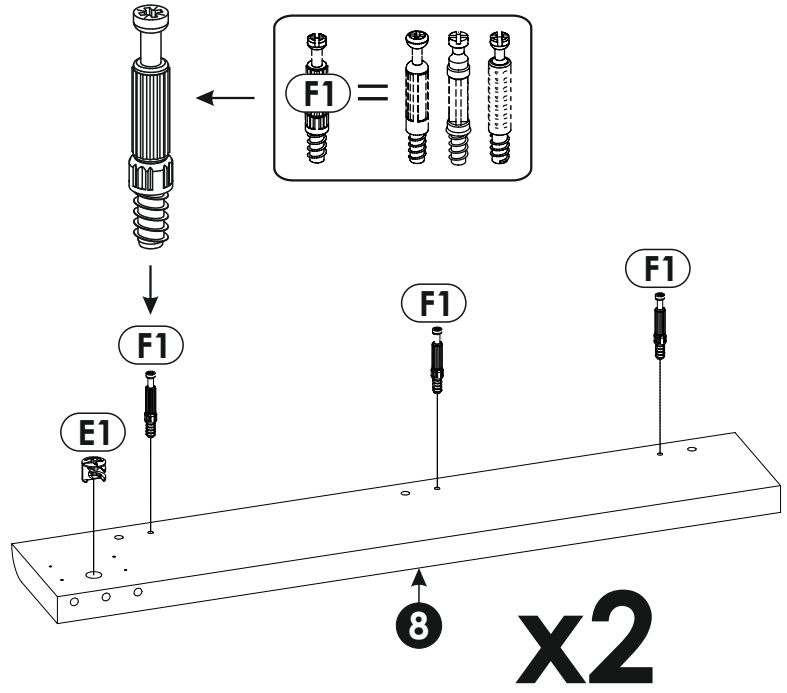




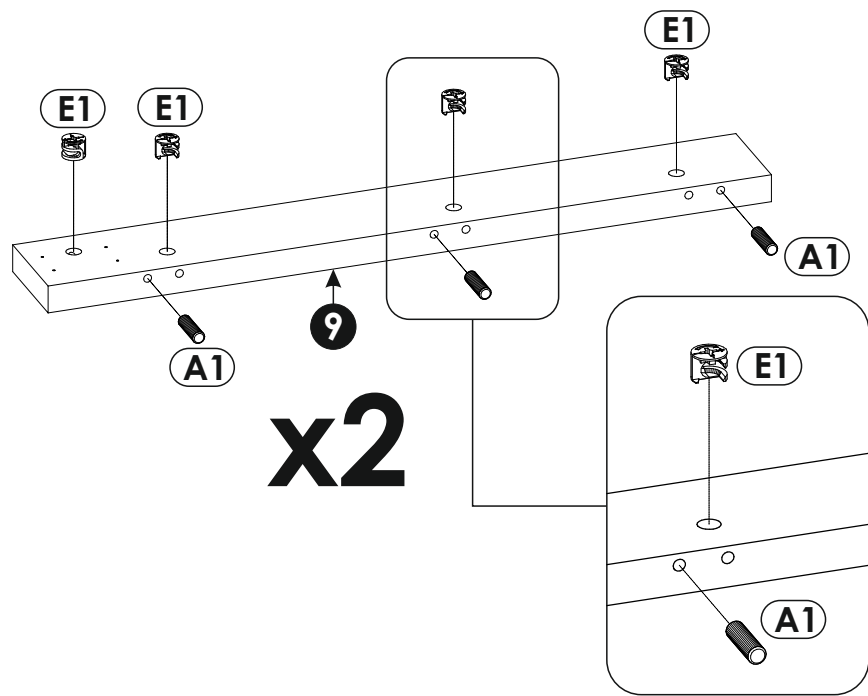
1	900	800	22	x2	2/2
2	900	400	22	x1	2/2
3	1338	98	22	x2	1/2
4	638	98	22	x2	2/1
5	834	100	22	x2	1/2
6	727	126	28	x2	1/2
7	727	98	28	x2	1/2
8	727	126	28	x2	1/2
9	727	98	28	x1	1/2



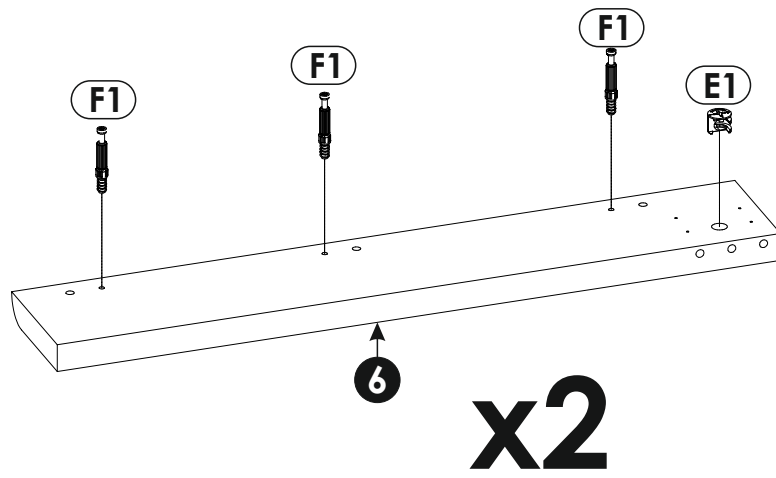
1 ▶



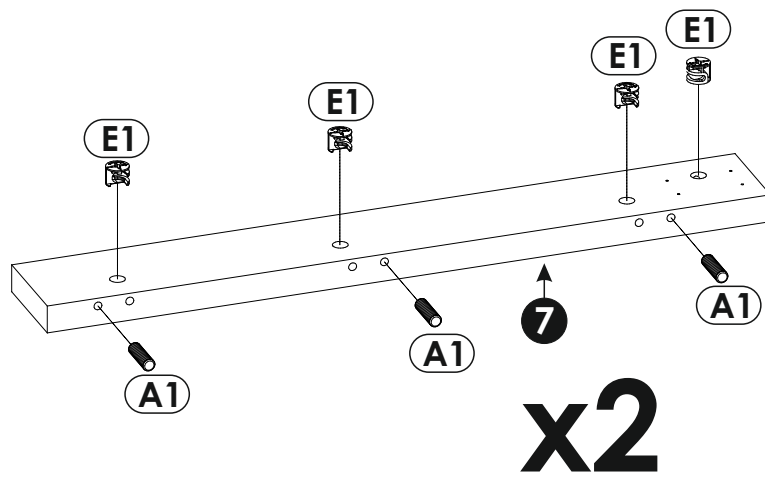
2 ▶



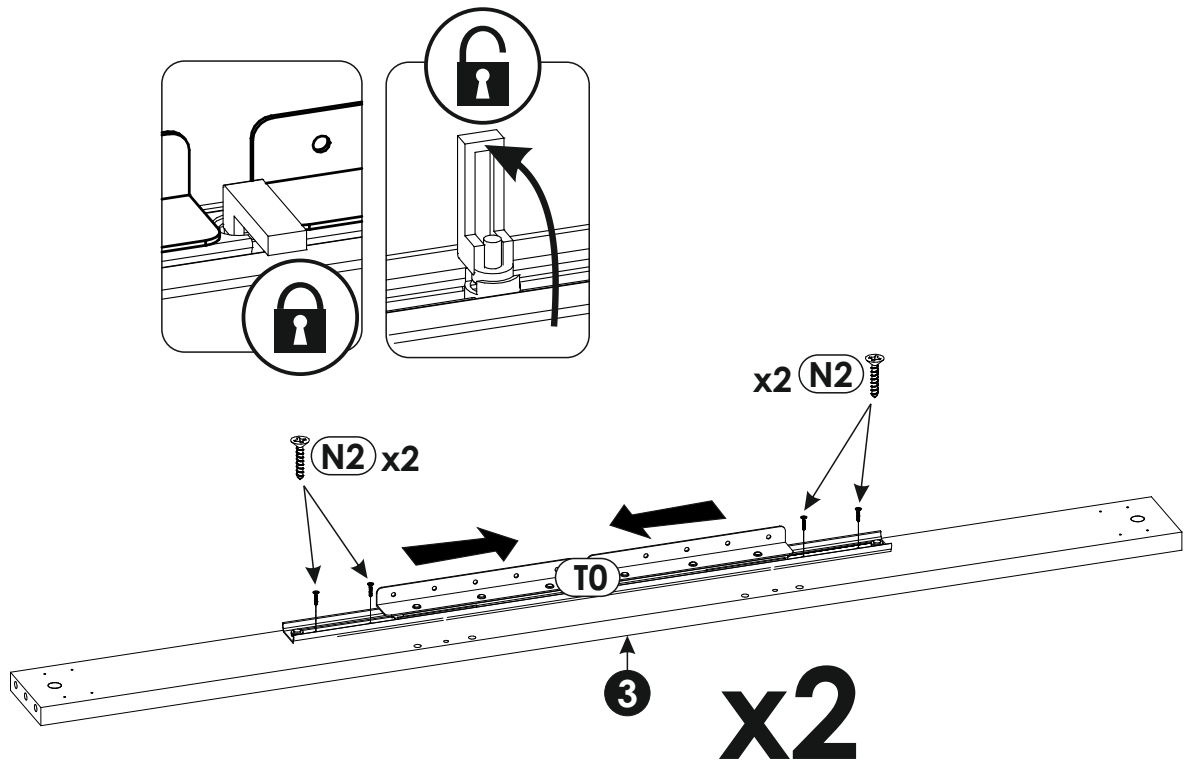
3▶



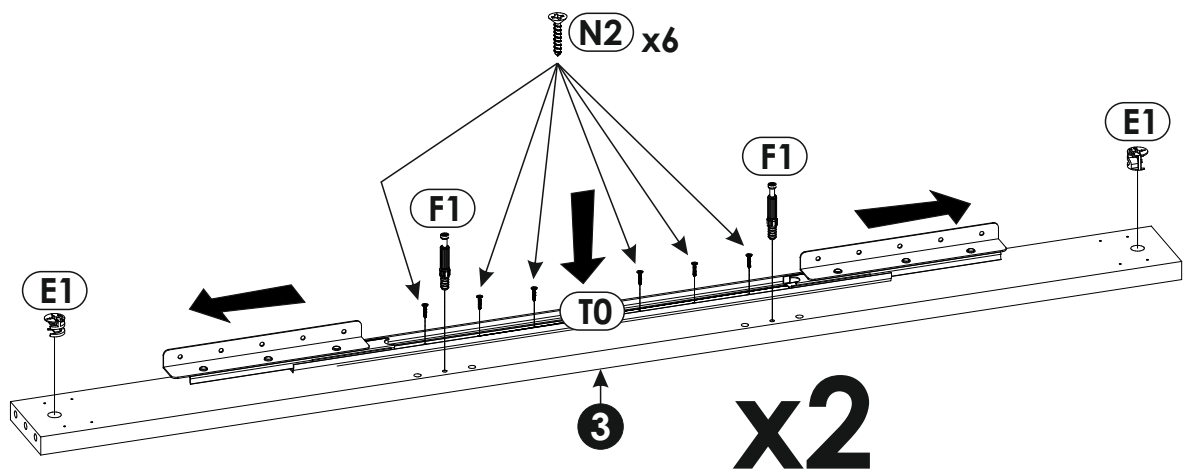
4▶



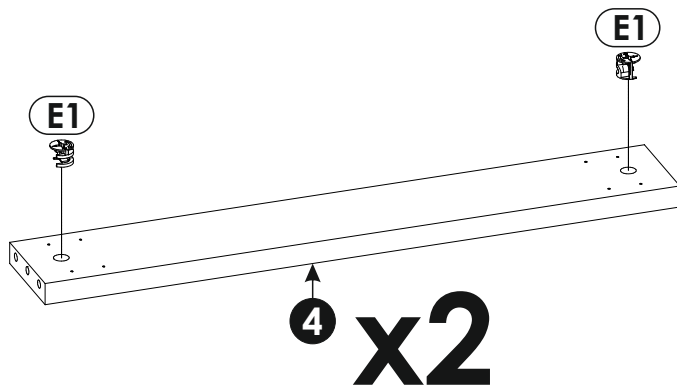
5 ▶



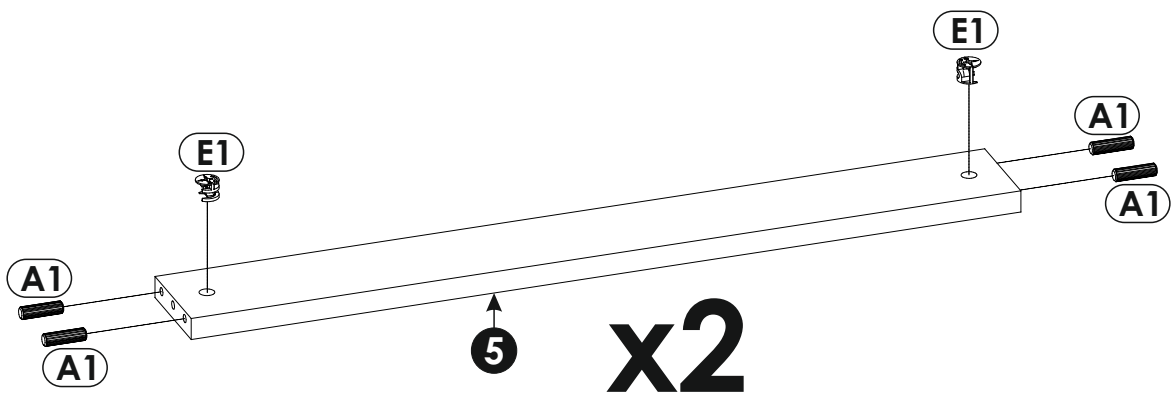
6 ▶



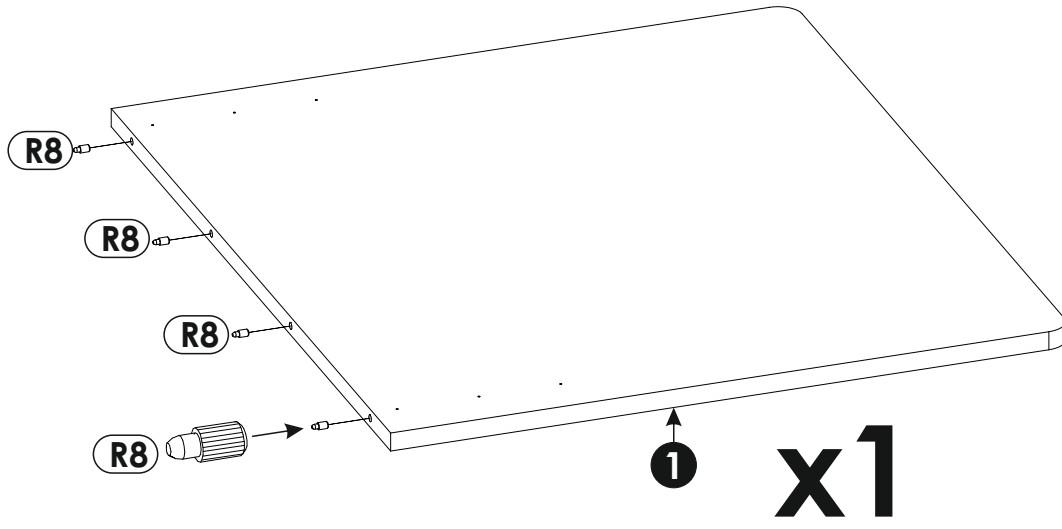
7 ▶



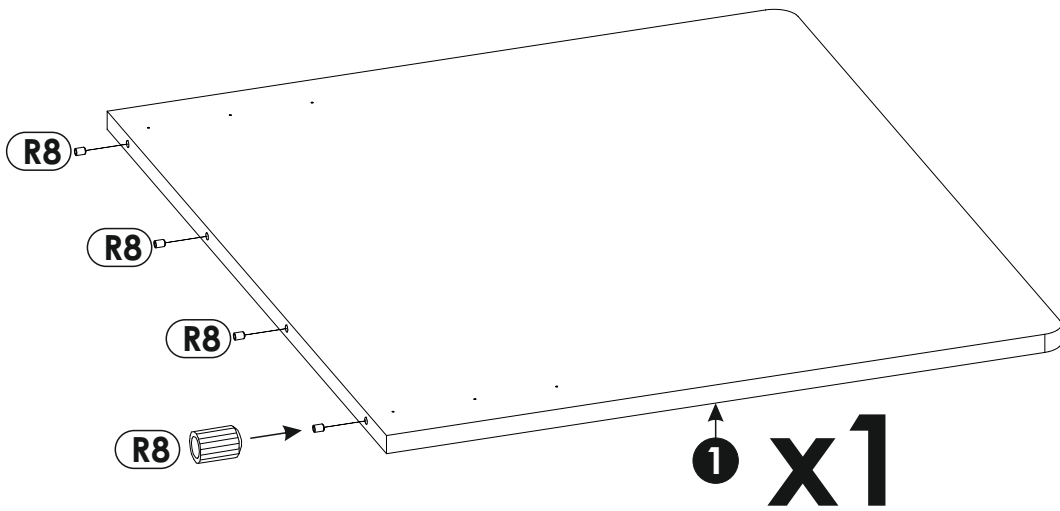
8 ▶



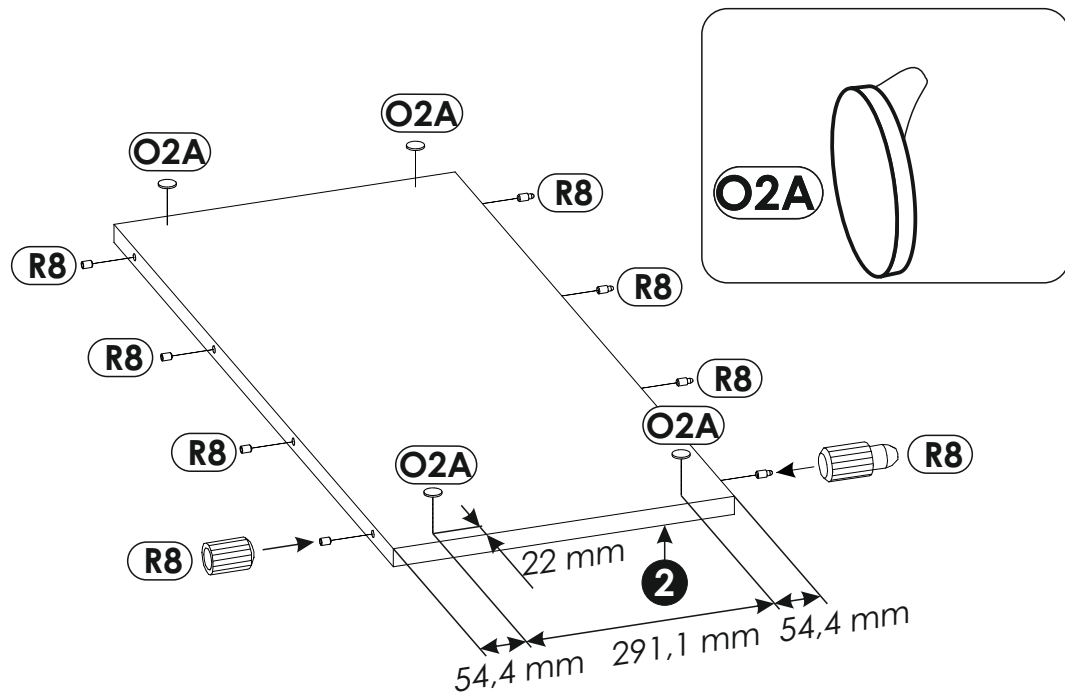
9▶



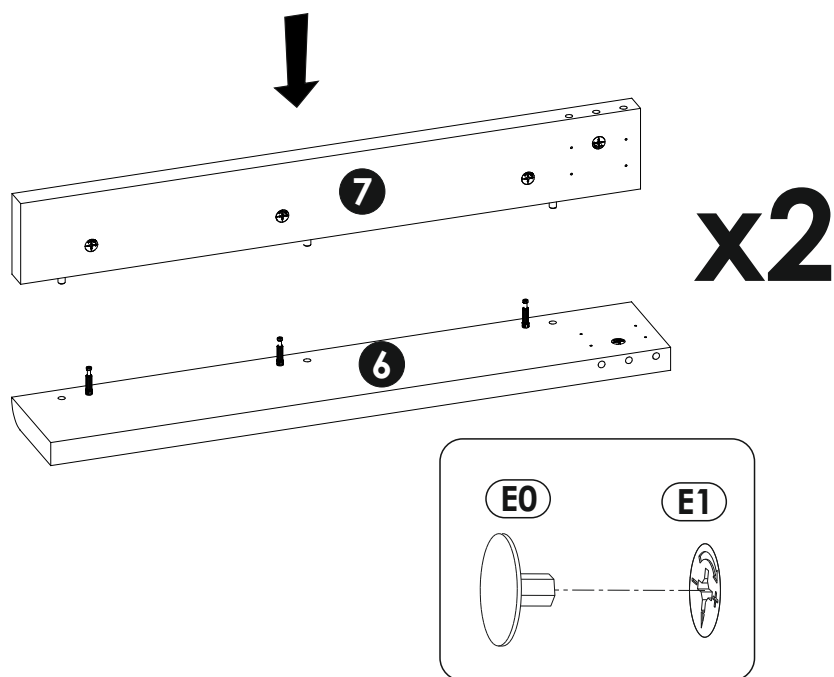
10▶



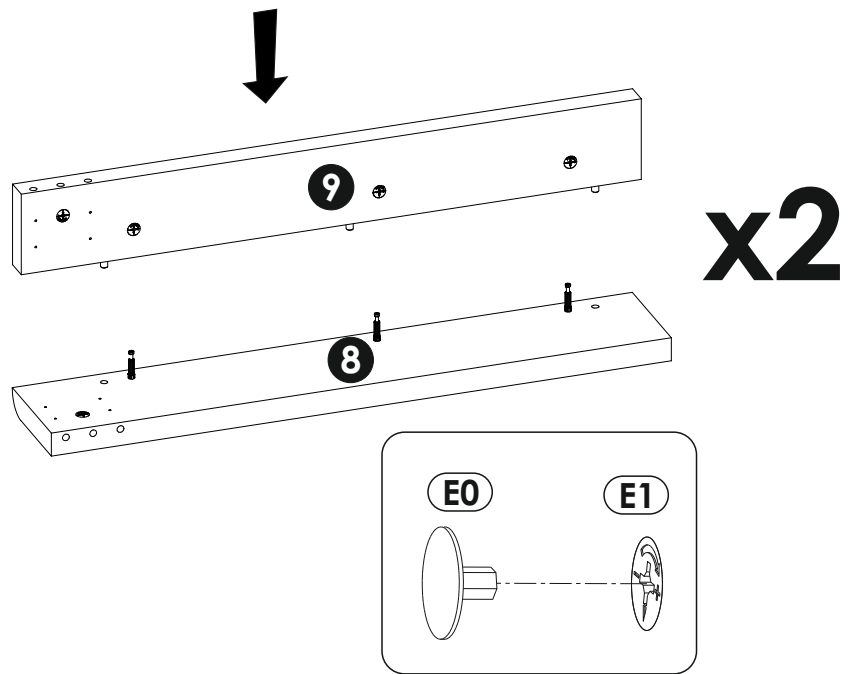
11▶



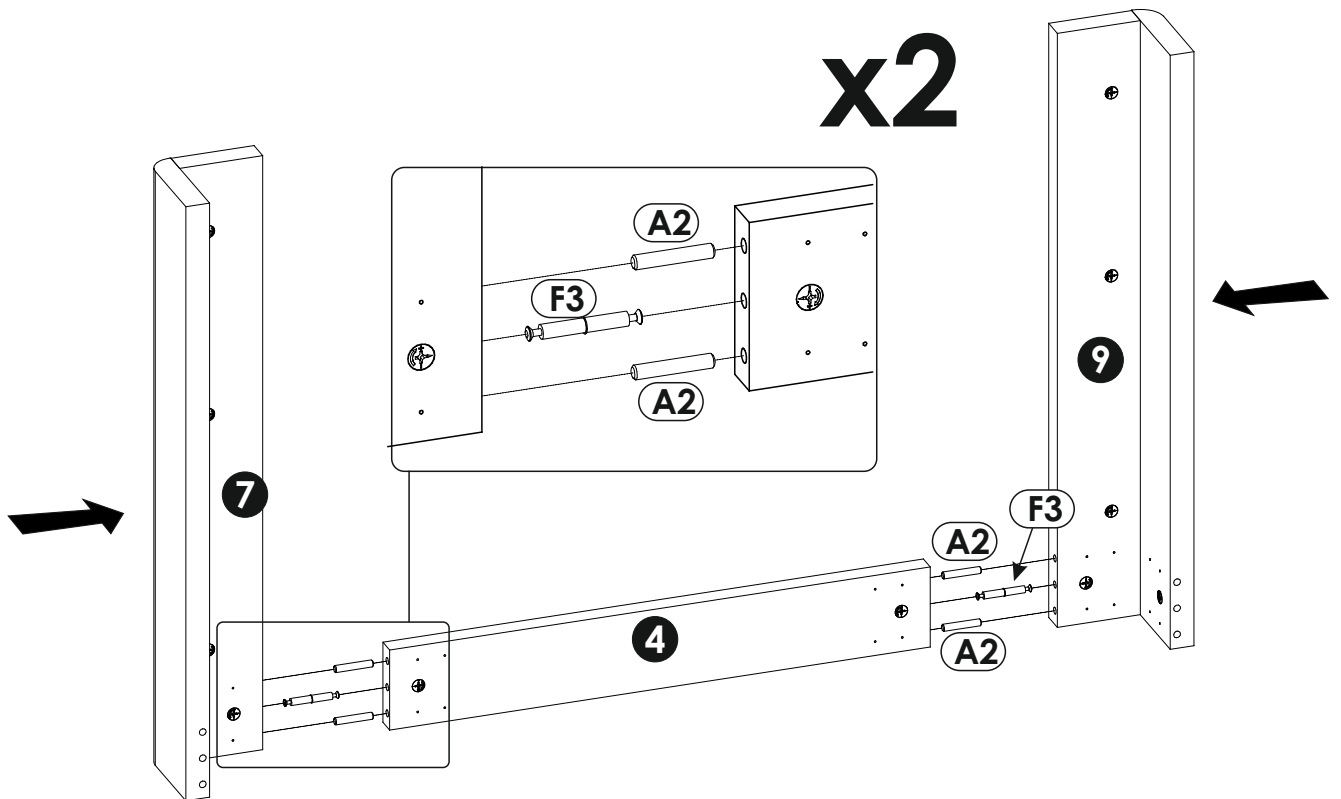
12▶



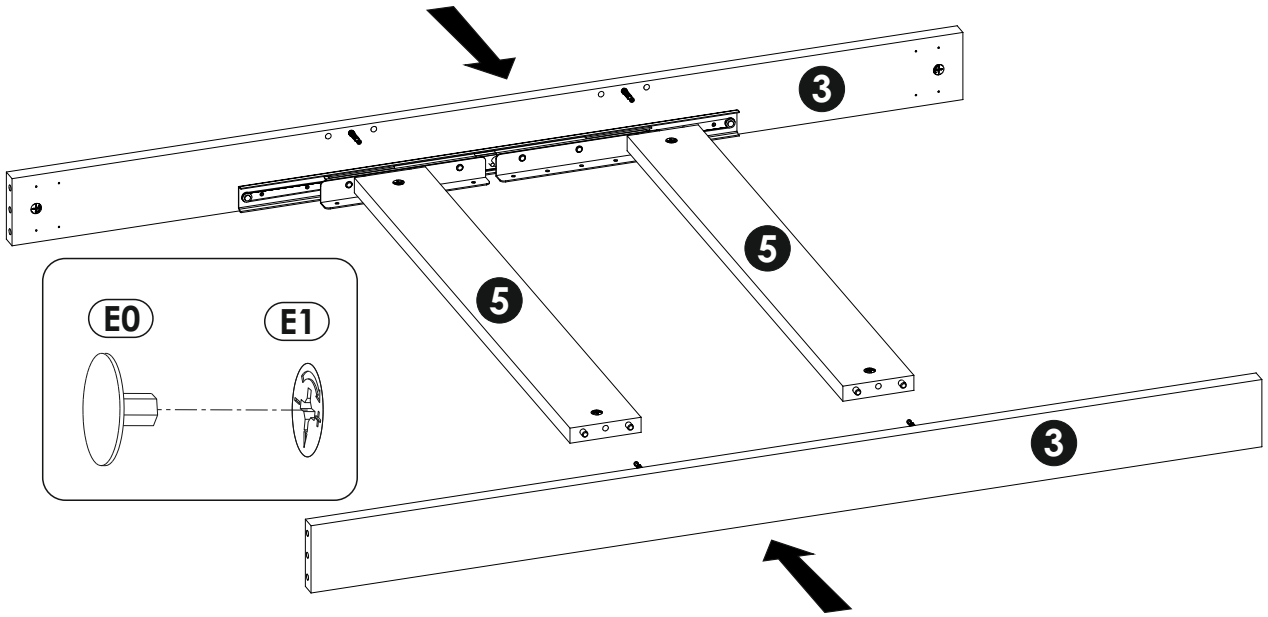
13▶



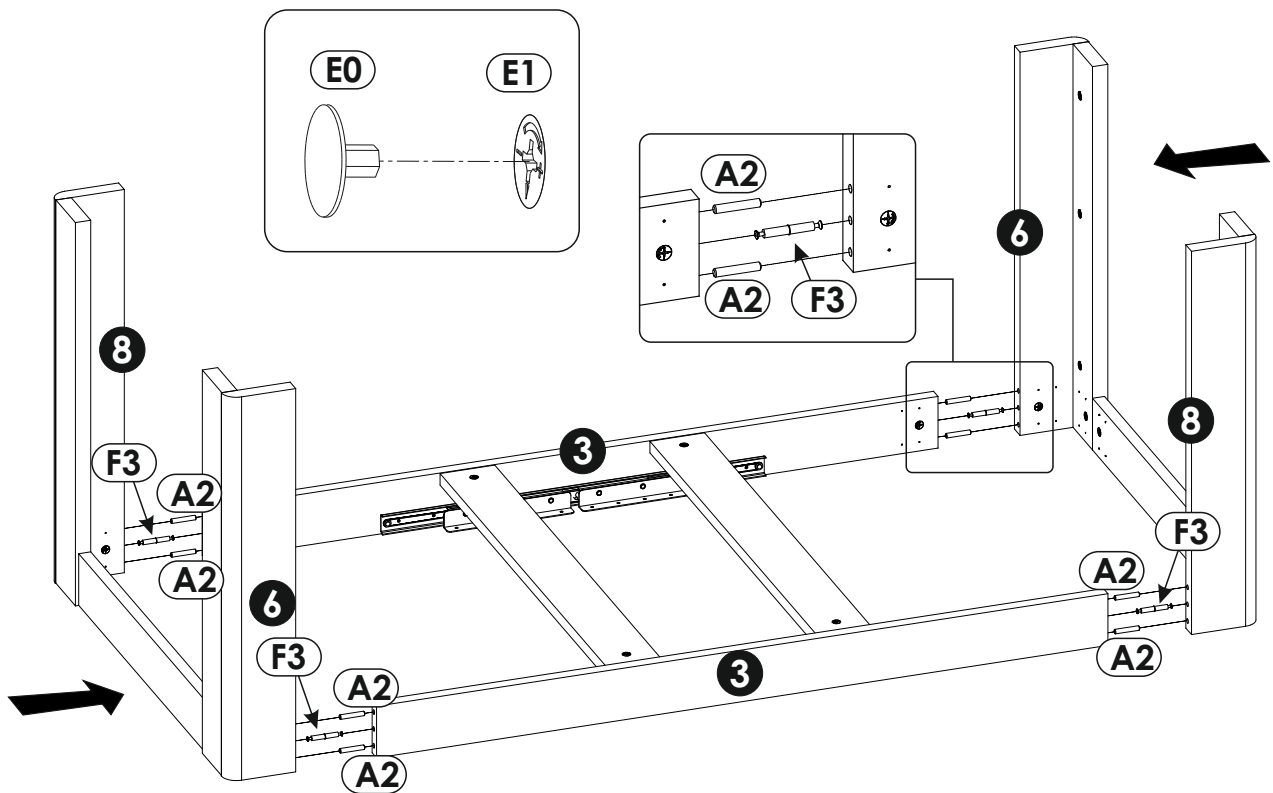
14▶



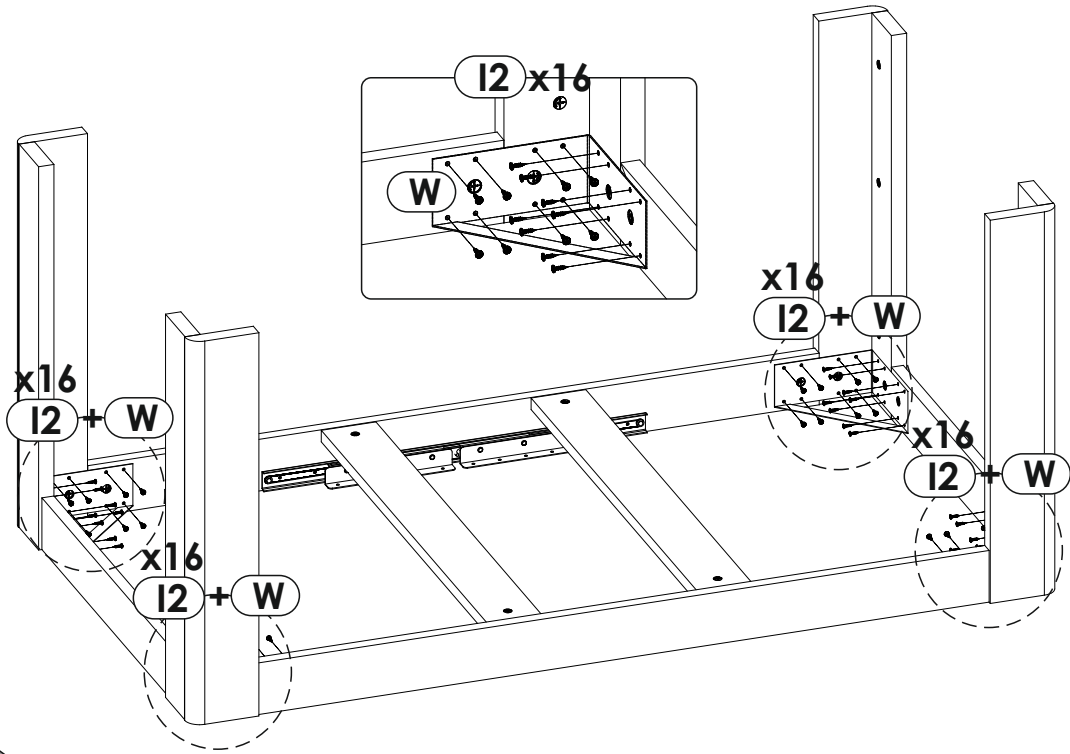
15▶



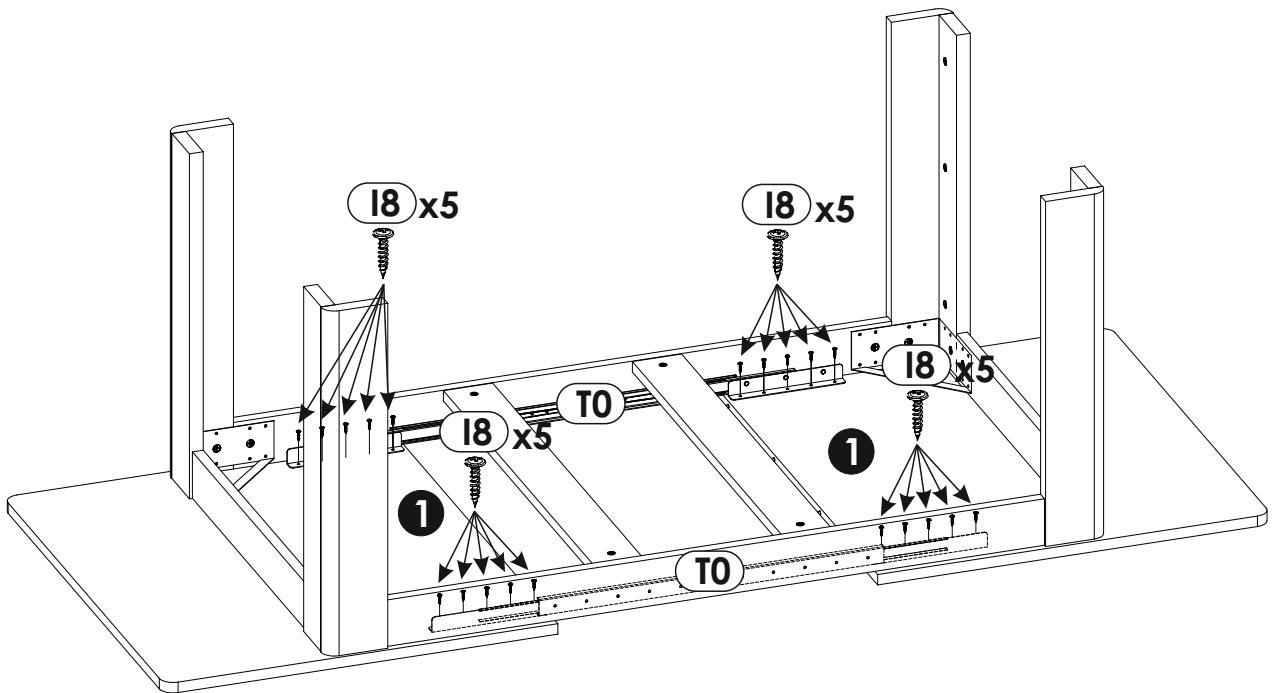
16▶



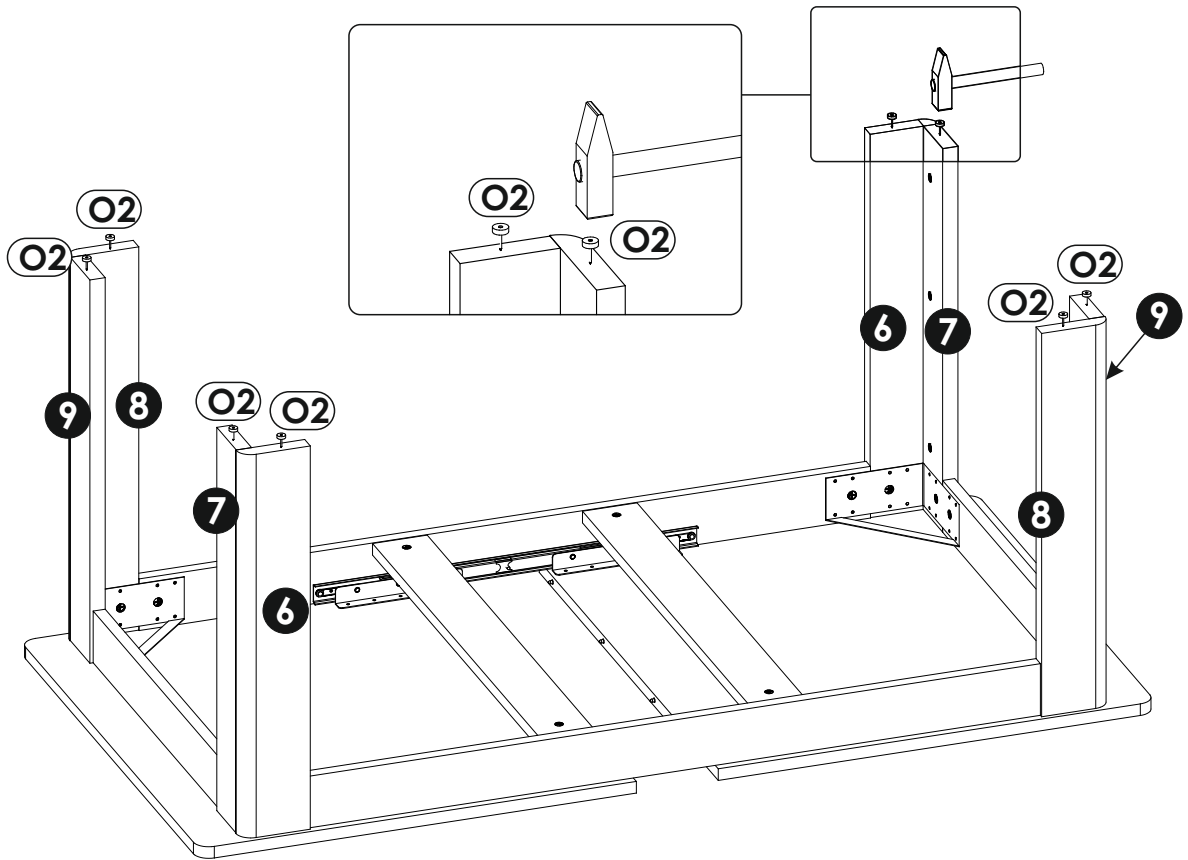
17▶



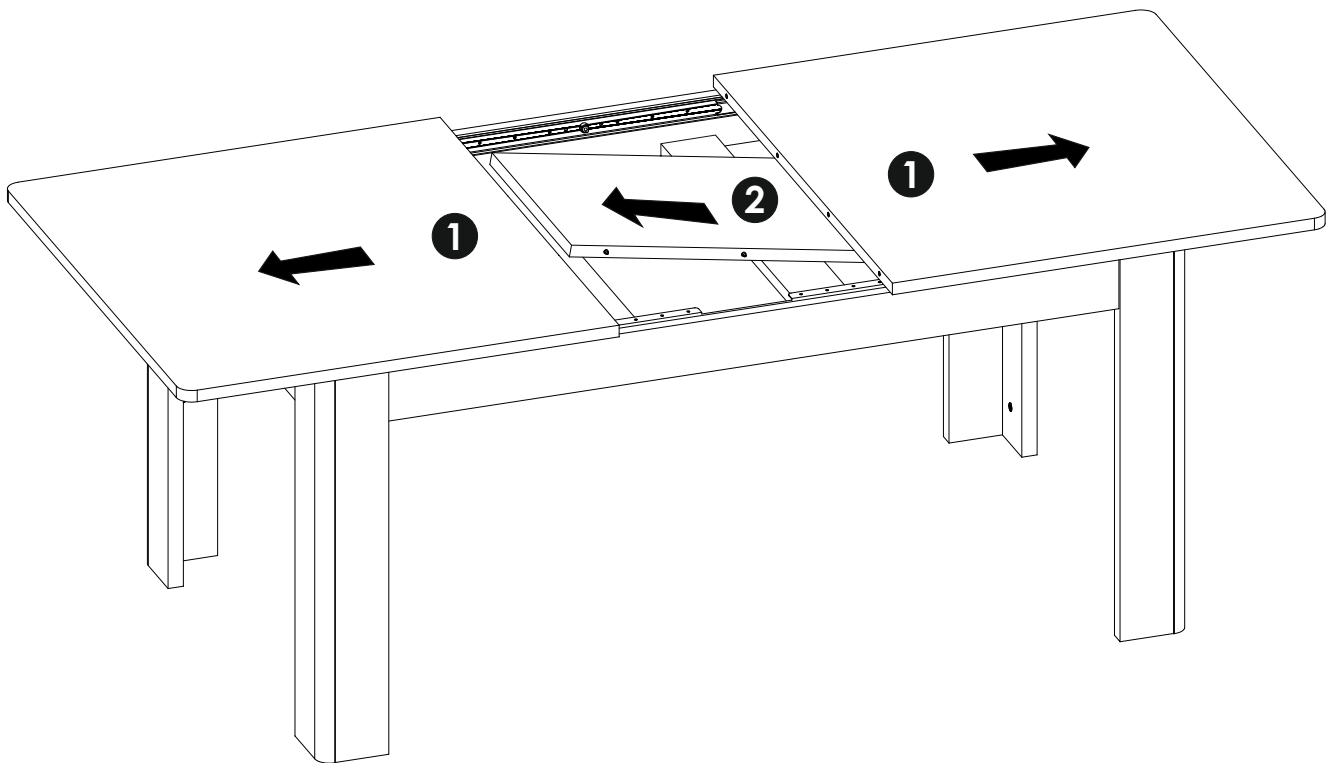
18▶



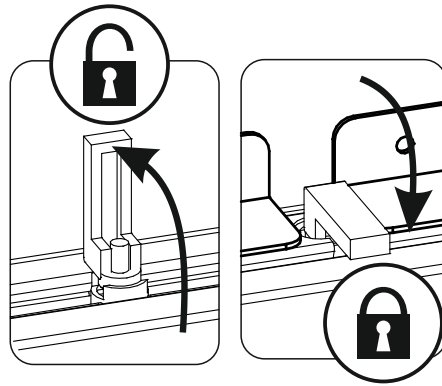
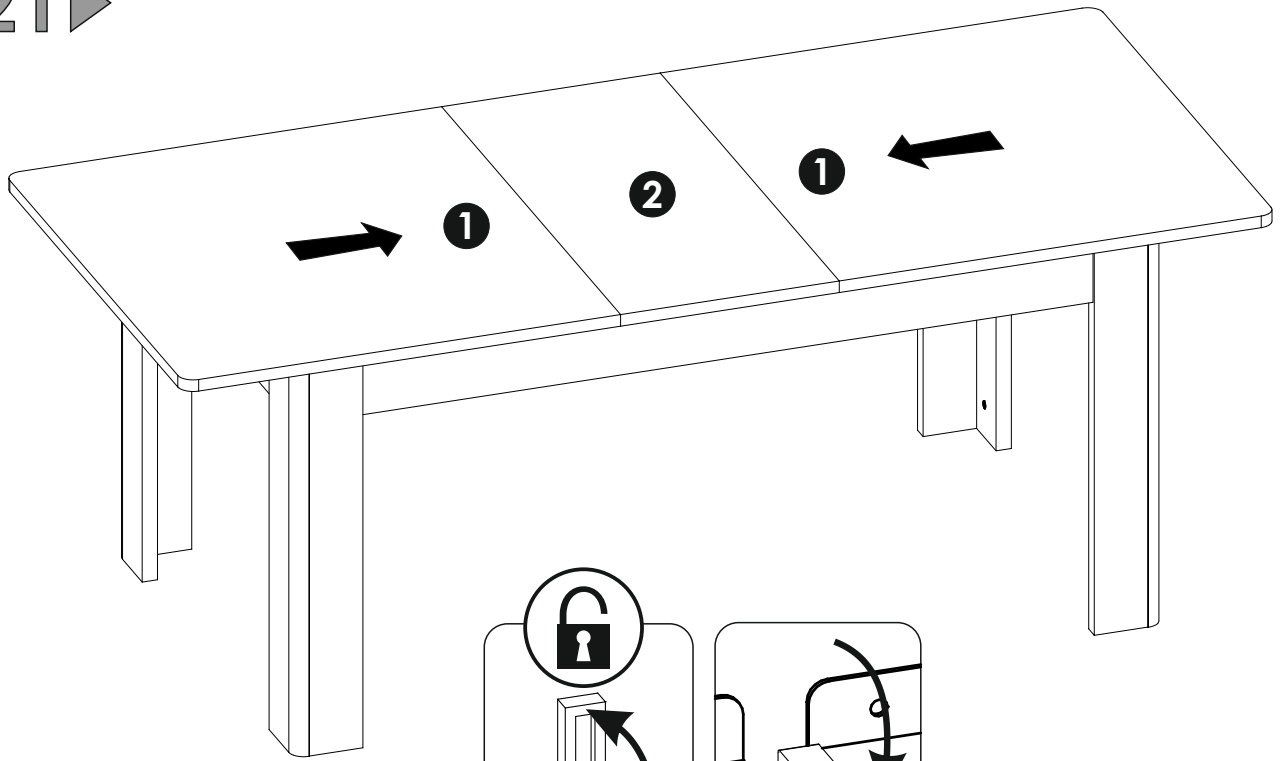
19▶



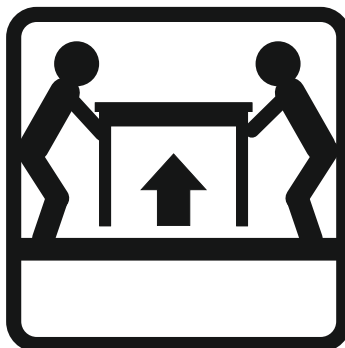
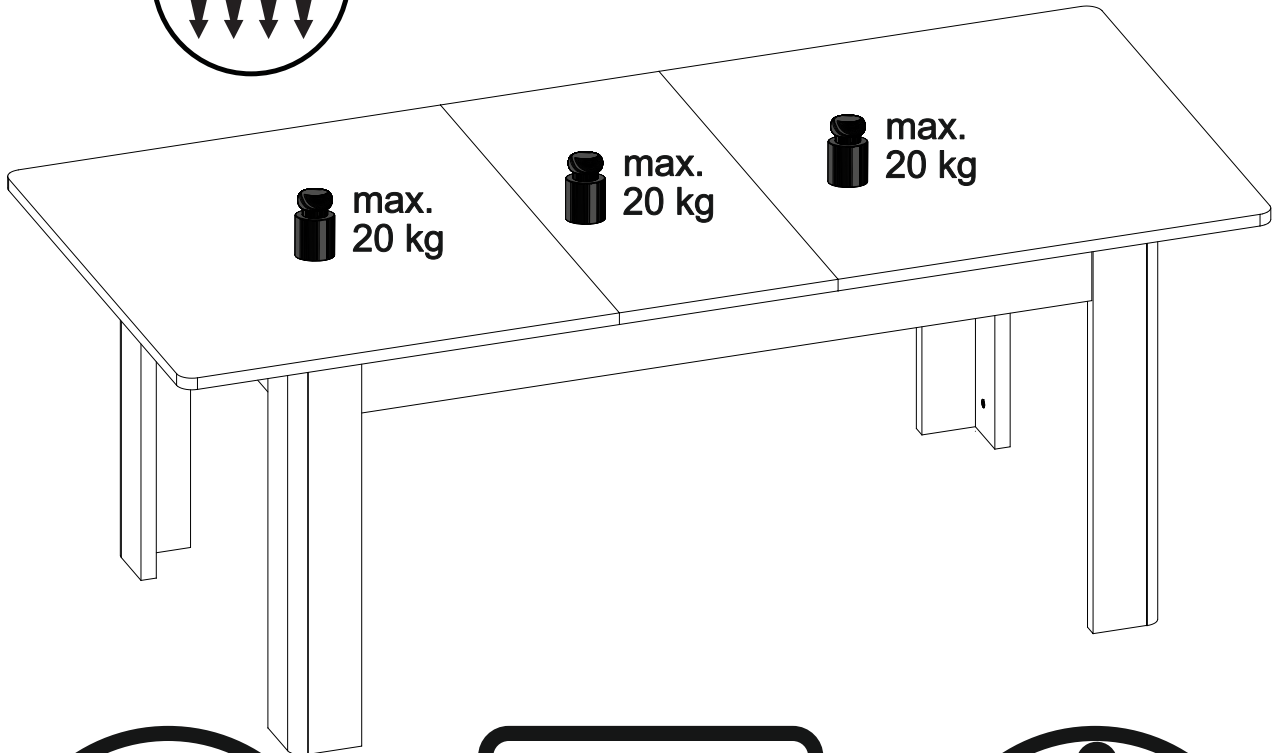
20▶

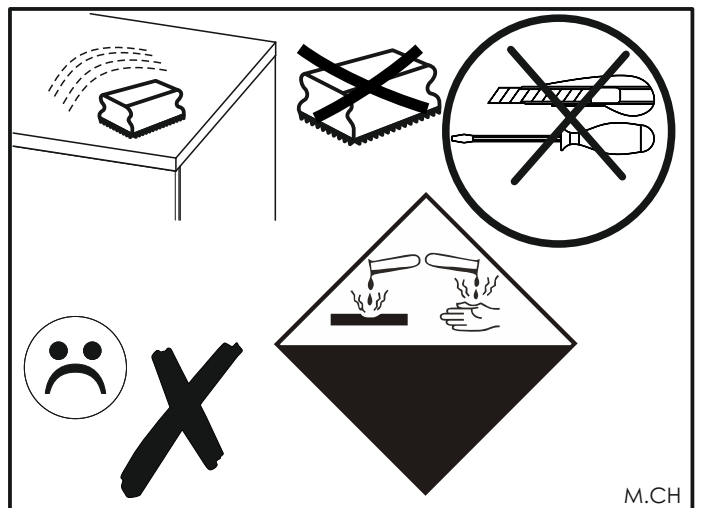
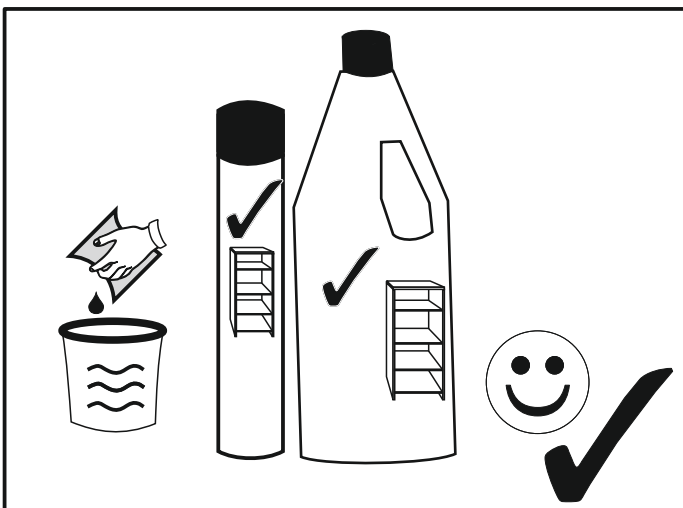
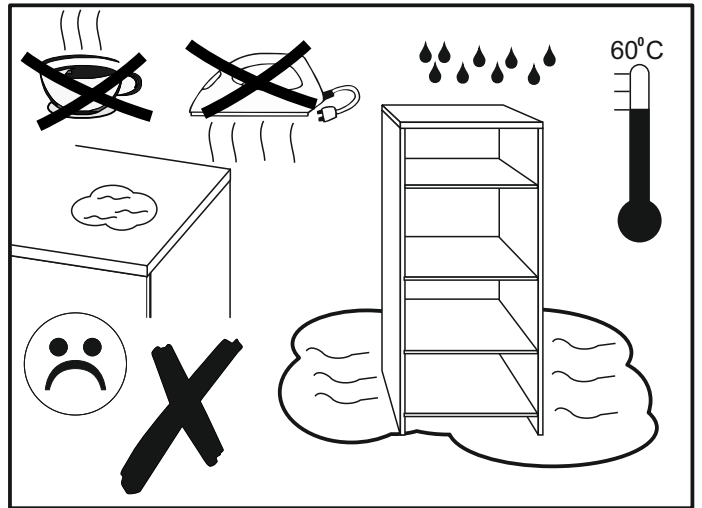
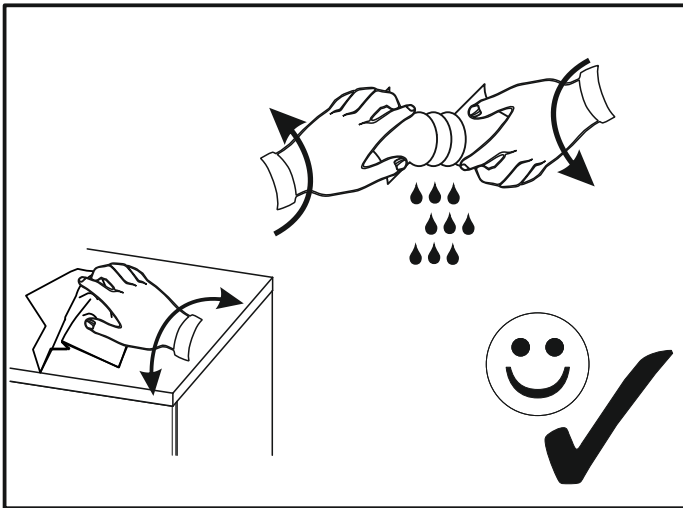
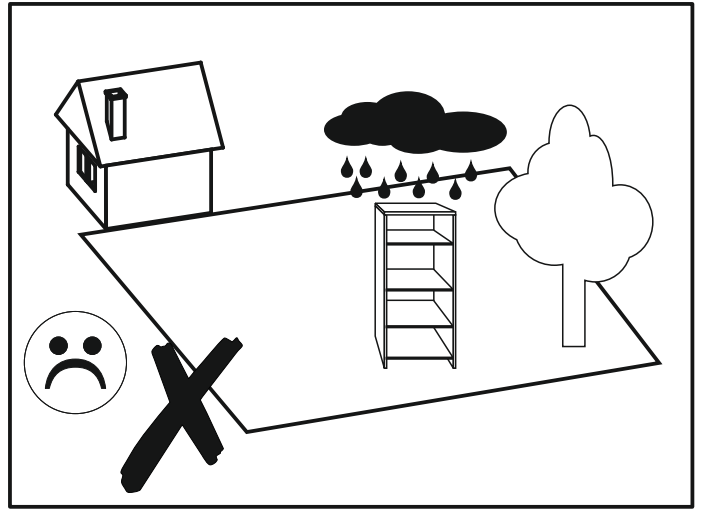
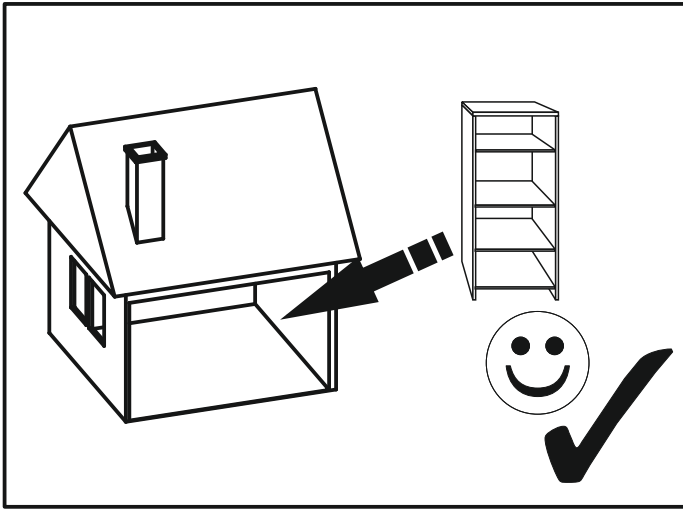


21 ▶



22 ▶





M.CH