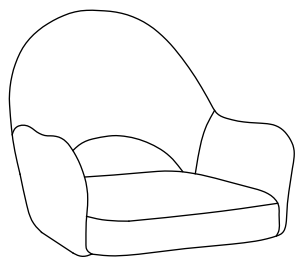


A



B



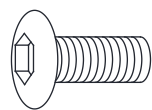
X2

C



X2

D



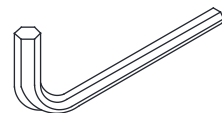
M6*25
12PCS

E



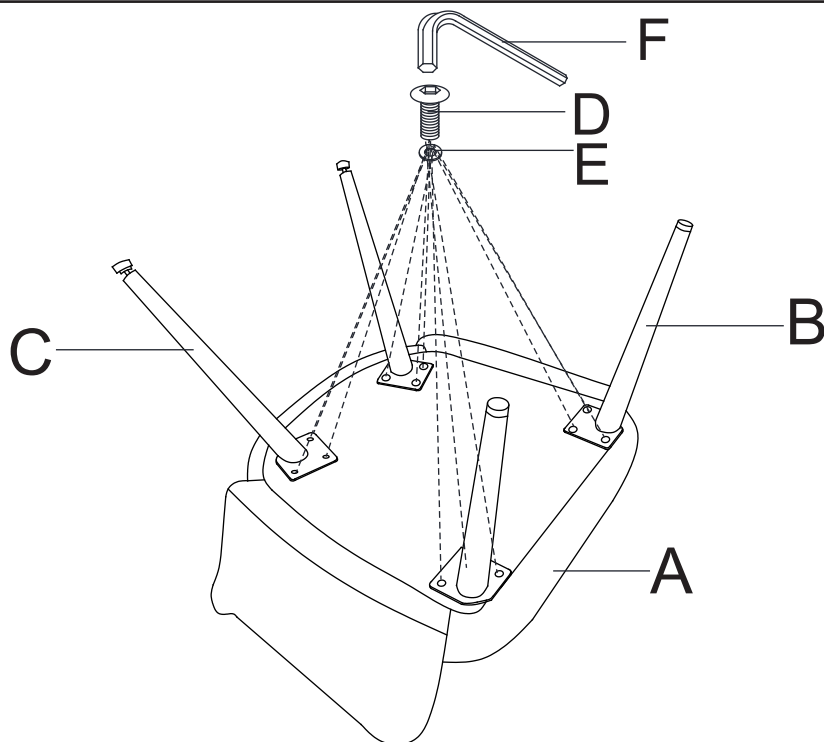
12PCS

F



M6

1



2

