

ASSEMBLY INSTRUCTIONS



TV CONSOLE

ASSEMBLY INSTRUCTIONS

ASSEMBLY TIPS:

1. Remove hardware from box and sort by size.
2. Please check to see that all hardware and parts are present prior to start of assembly.
3. Please follow attached instructions in the same sequence as numbered to assure fast & easy assembly.



WARNING!

1. Don't attempt to repair or modify parts that are broken or defective. Please contact the store immediately.
2. This product is for home use only and not intended for commercial establishments.

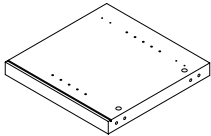
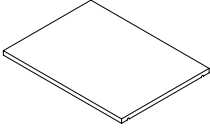
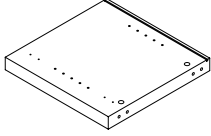
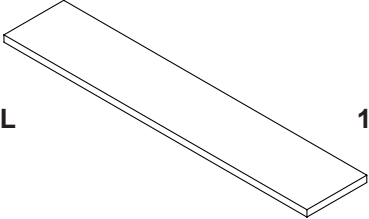
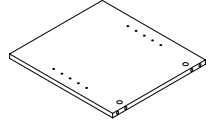
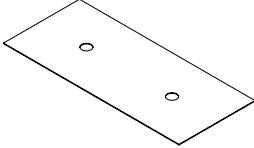
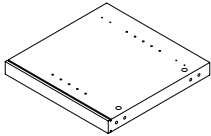
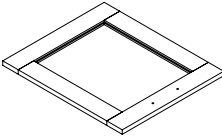
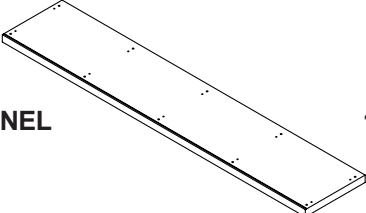


ASSEMBLY TIME

50 MINUTES

MAX TV SIZE : 85"

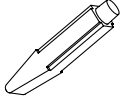
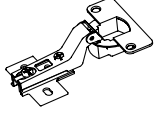
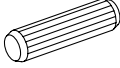

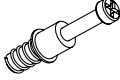
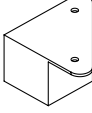

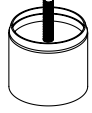
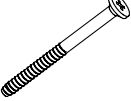



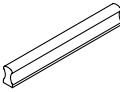


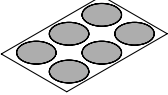
PARTS IDENTIFICATION

A	LEFT SIDE PANEL		1 PC	F	ADJUSTABLE SHELF		4 PCS
B	RIGHT SIDE PANEL		1 PC	G	TOP PANEL		1 PC
C	DIVIDER PANEL		2 PCS	H	BACK PANEL		2 PCS
D	MIDDLE DIVIDER PANEL		1 PC	I	GLASS DOOR		4 PCS
E	BOTTOM PANEL		1 PC				

NOTE:

Phillips head screw driver is required in the assembly process; however, manufacturer does not provide this item.

HARDWARE IDENTIFICATION

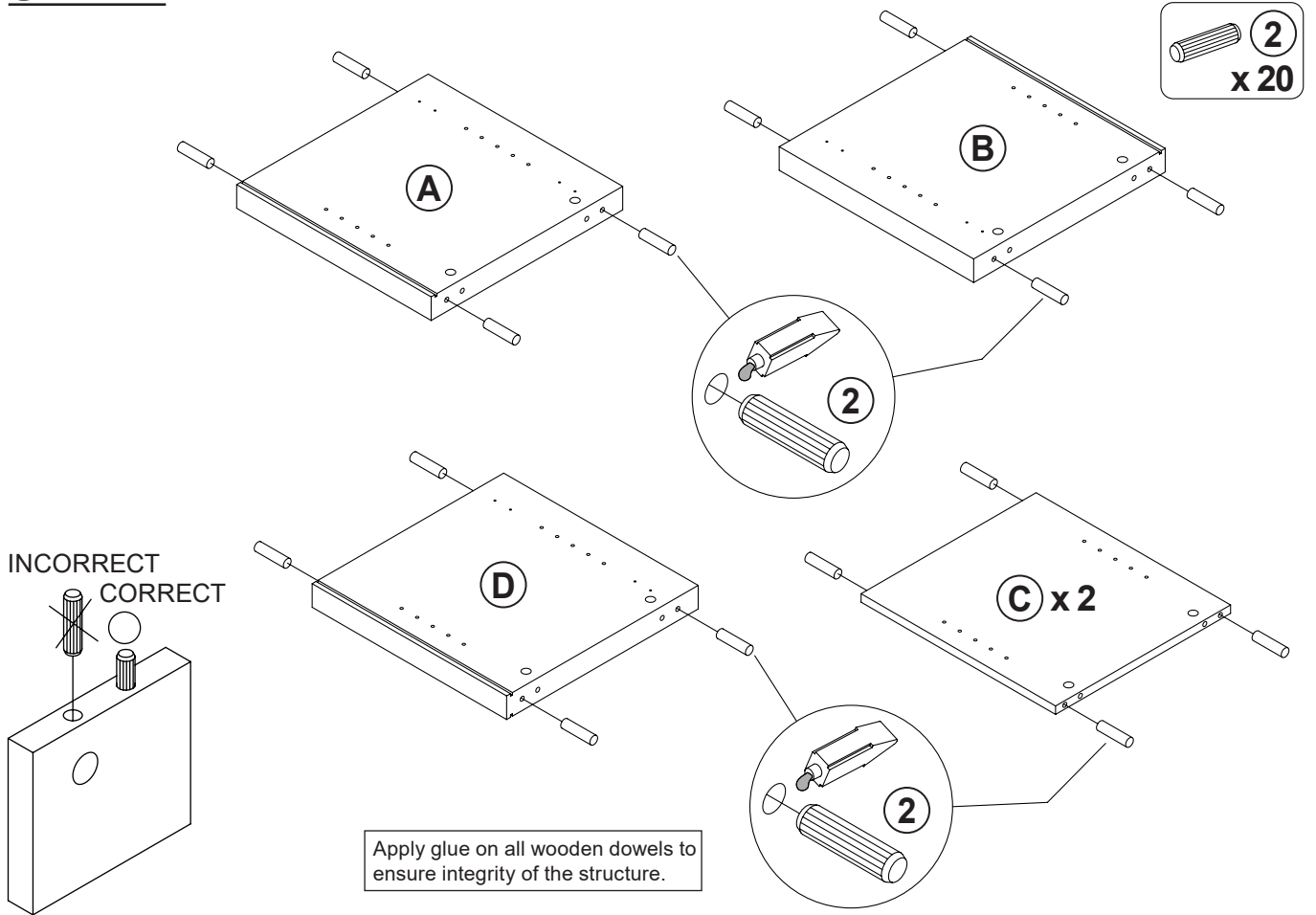
Z							
NO	DESCRIPTION	FIGURE	Q'TY	NO	DESCRIPTION	FIGURE	Q'TY
1	GLUE 15g		1 PC	9	HINGE Ø35mm SR		8 PCS
2	WOODEN DOWEL Ø8x30mm		20 PCS	10	HINGE SCREW Ø4x15mm SR		32 PCS
3	CAM BOLT Ø7x35.5mm SR		10 PCS	11	LEG 47mm BLK		4 PCS
4	CAM LOCK Ø15x12mm SR		10 PCS	12	SUPORT LEG Ø45mm BLK		1 PC
5	BOLT Ø9.5x55mm SR		10 PCS	13	SCREW Ø4x19mm BLK		8 PCS
6	PIN FOR ADJUSTABLE SHELF Ø4.9x15mm SR		16 PCS	14	SQUARE FLOOR PROTECTOR 50x50mm		4 PCS
7	HANDLE L= 120mm BLK		4 PCS	15	ROUND FLOOR PROTECTOR Ø50mm		1 PC
8	HANDLE BOLT Ø4x28mm BLK		8 PCS	16	STICKER Ø20mm		2 PCS

Z7,Z8,Z9,Z11,Z12 not included in blister packaging.

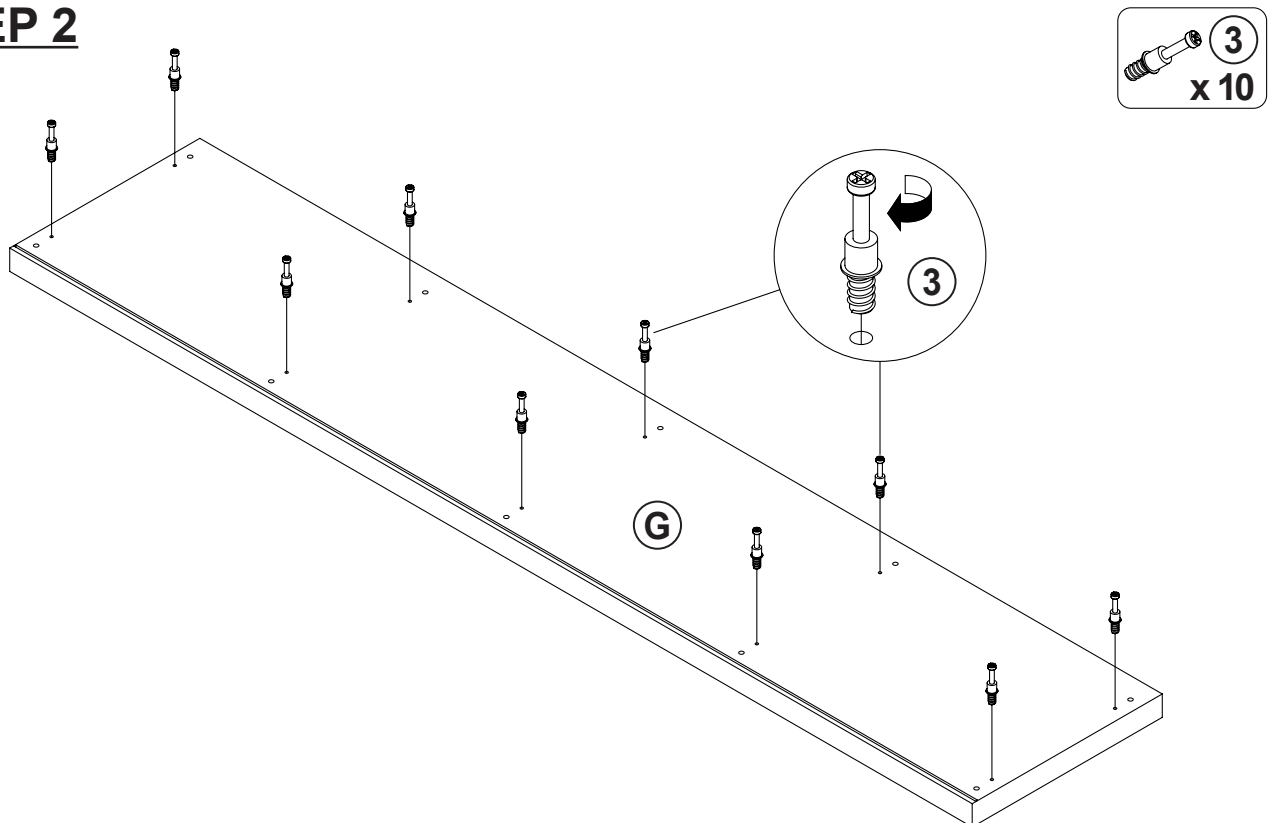
NOTE:

Phillips head screw driver is required in the assembly process; however, manufacturer does not provide this item.

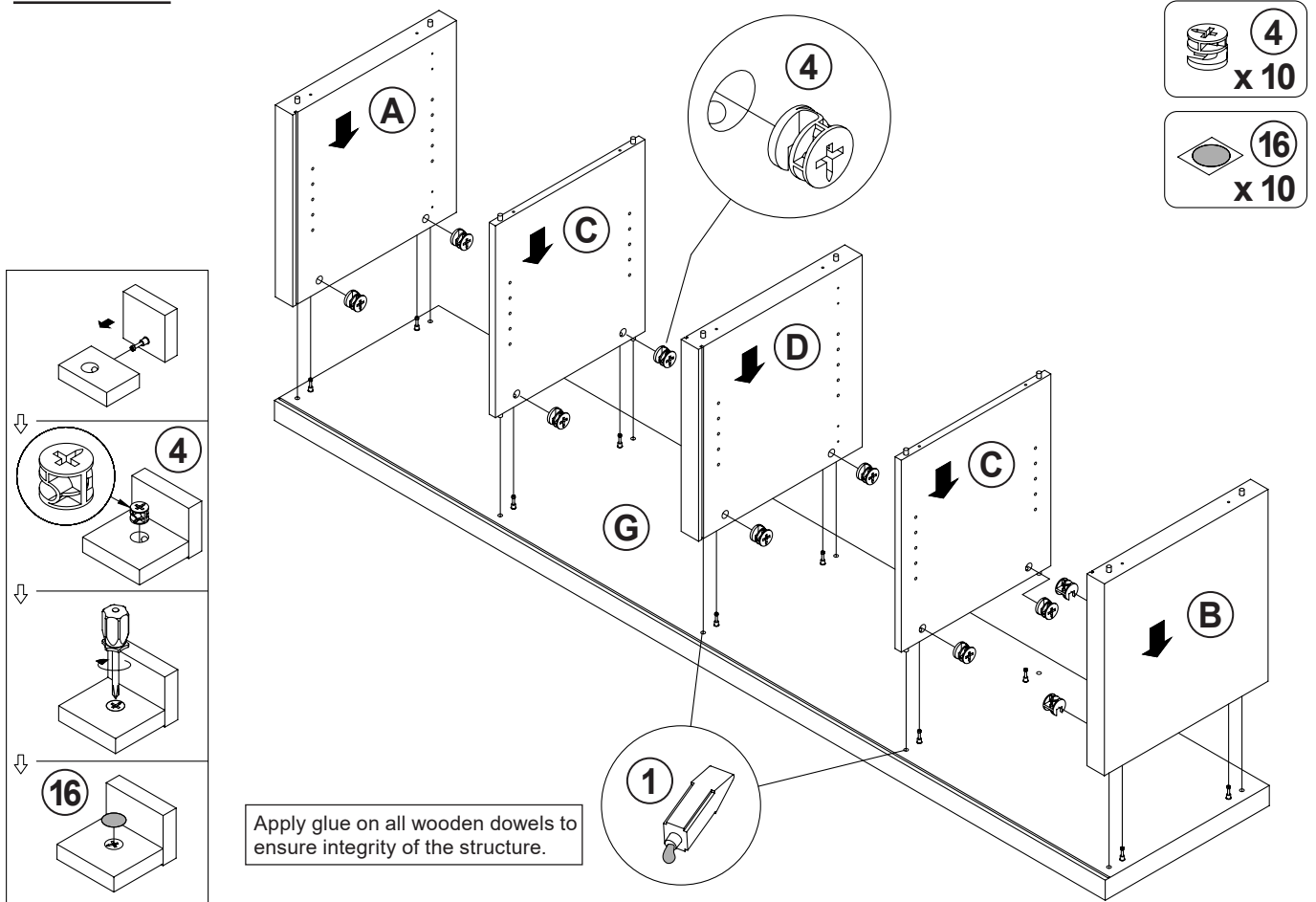
STEP 1



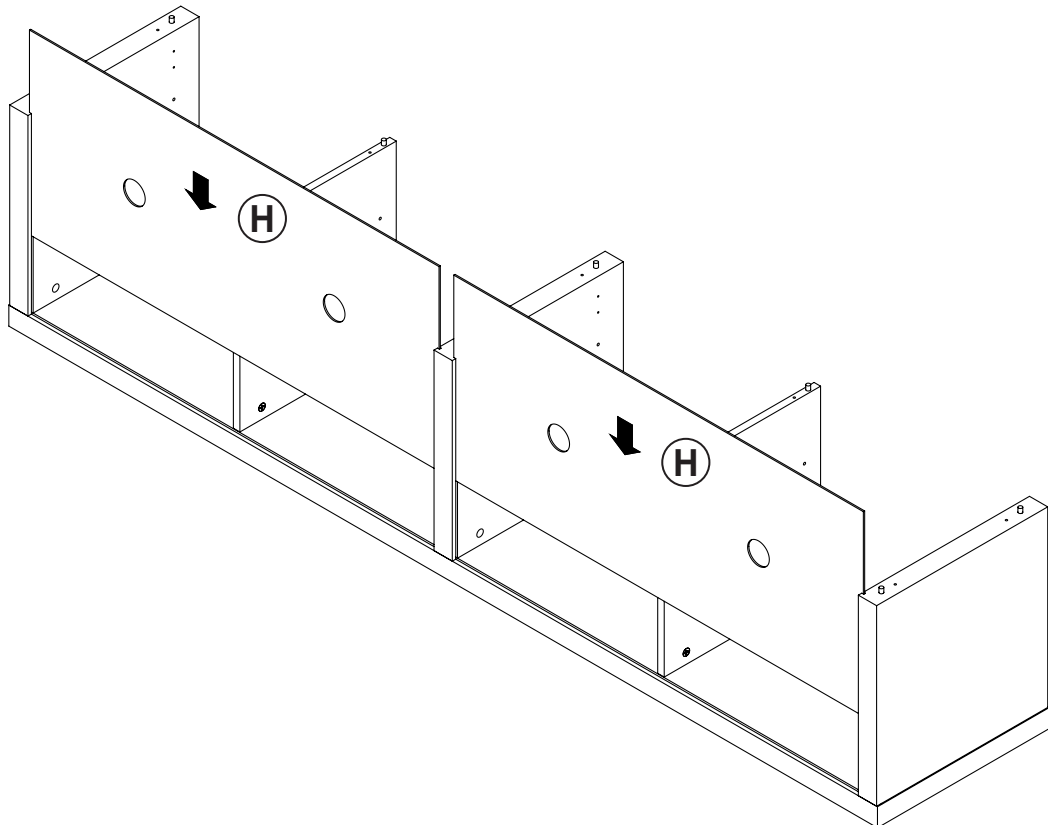
STEP 2



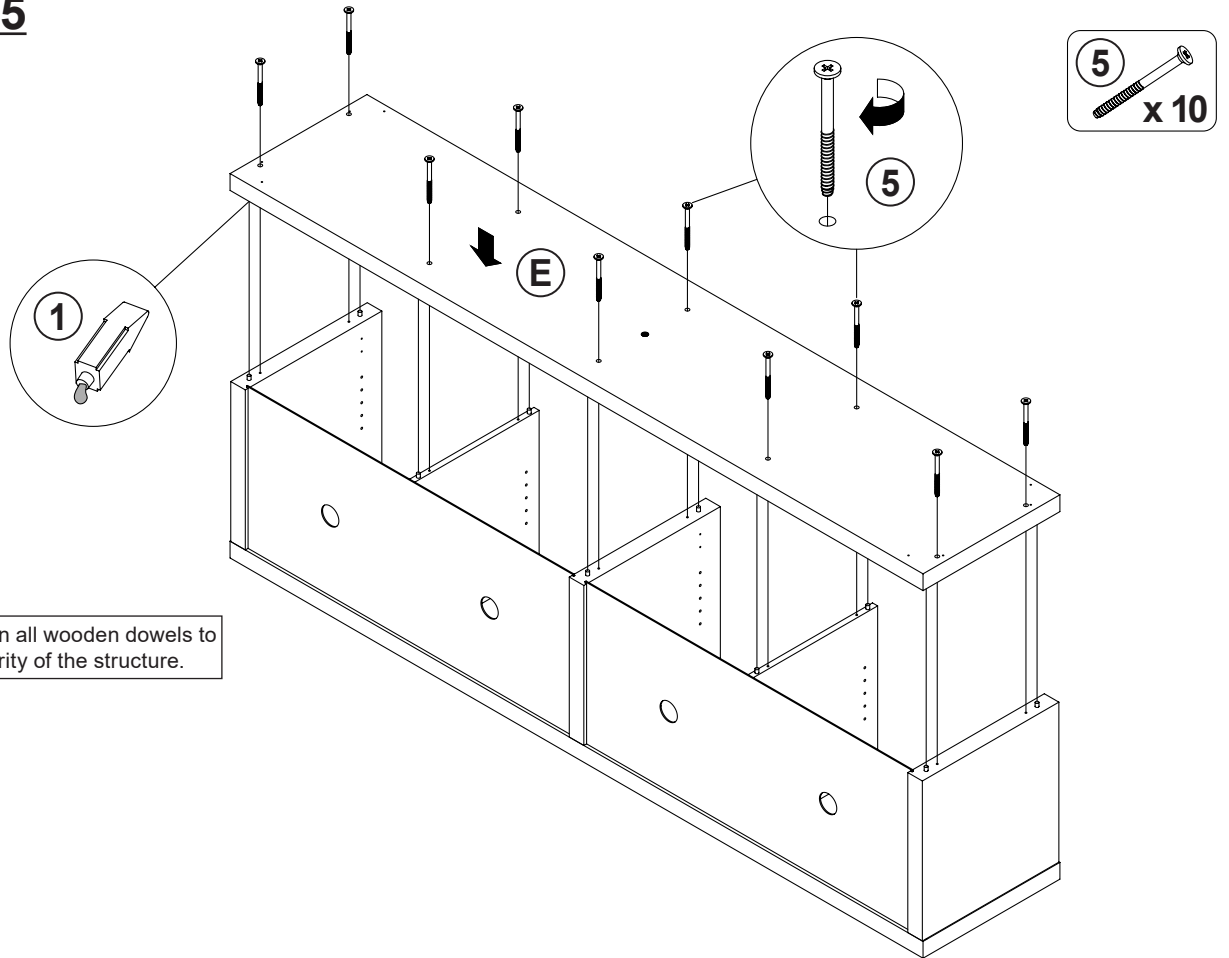
STEP 3



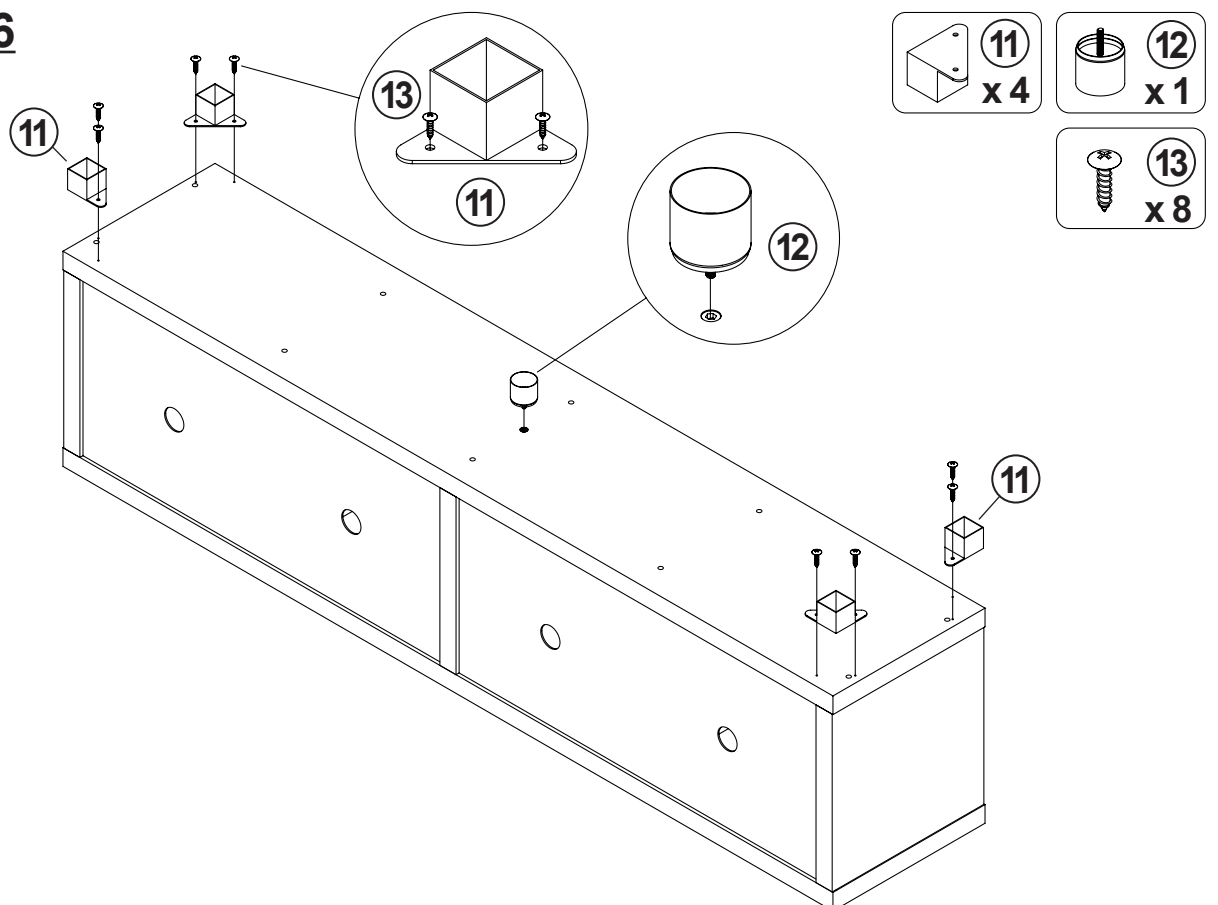
STEP 4



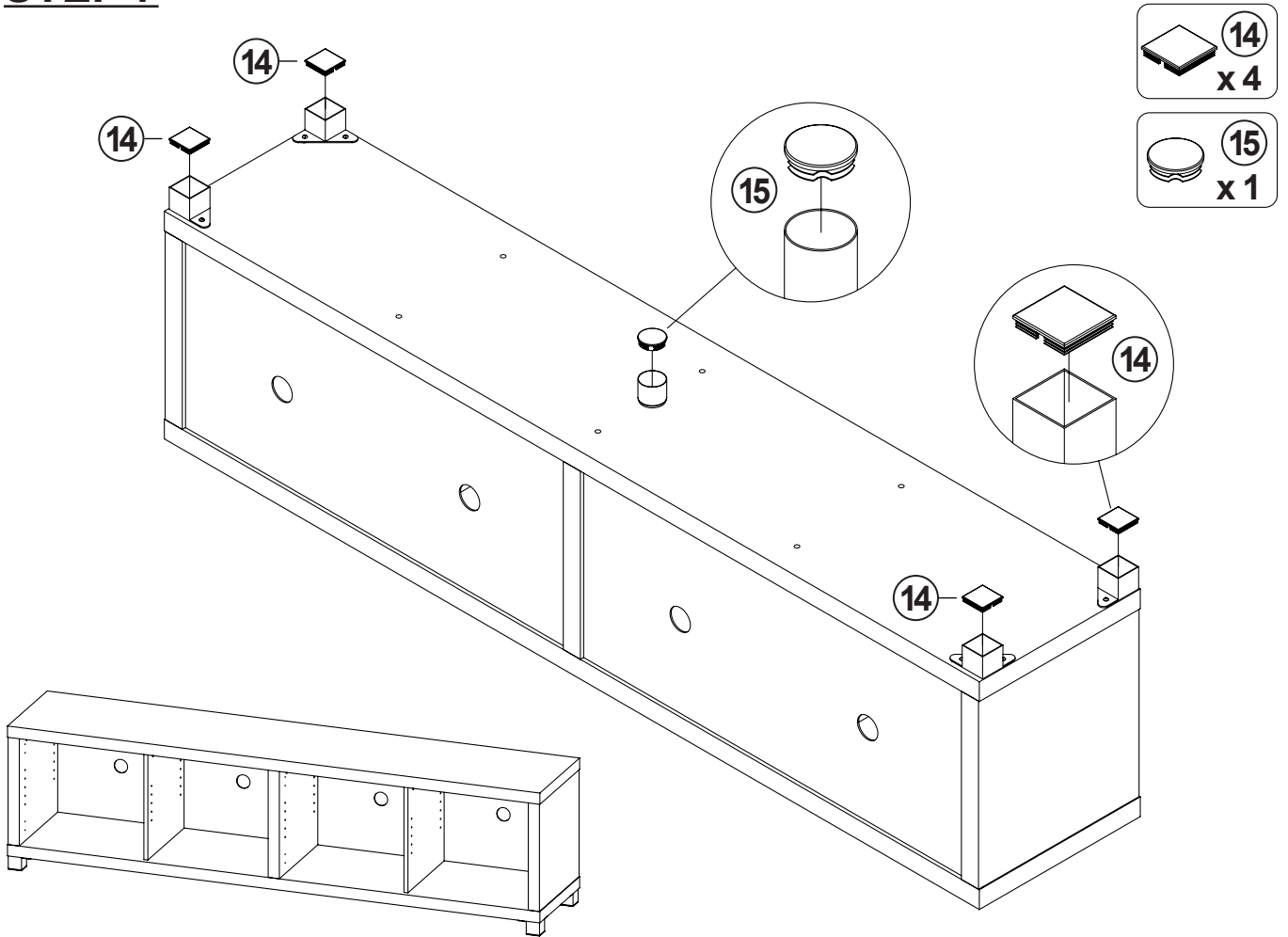
STEP 5



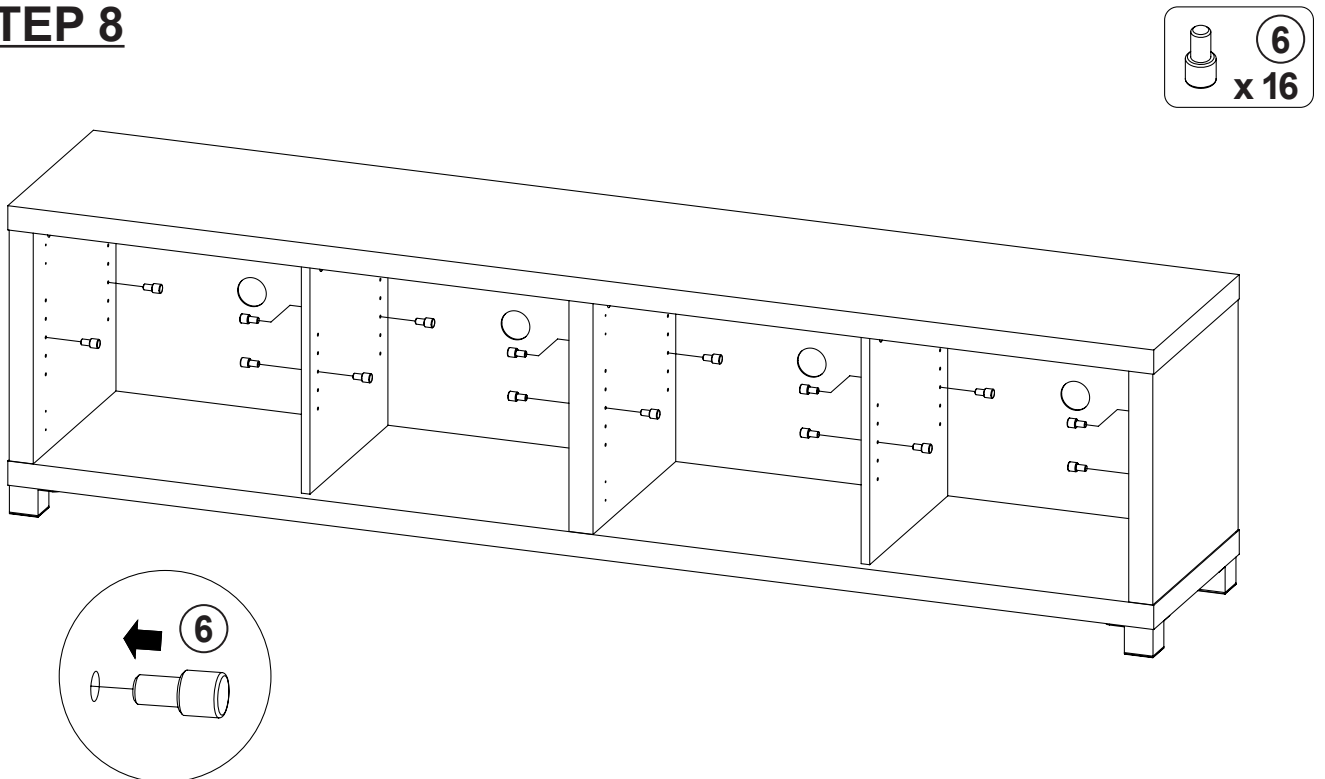
STEP 6



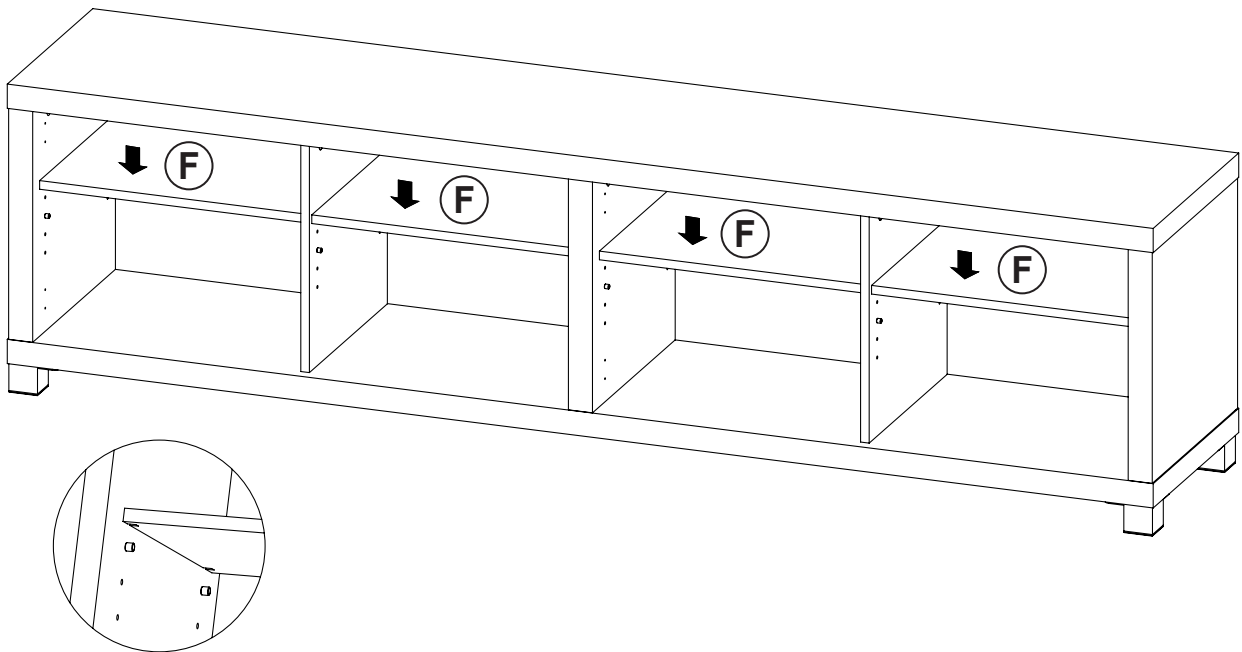
STEP 7



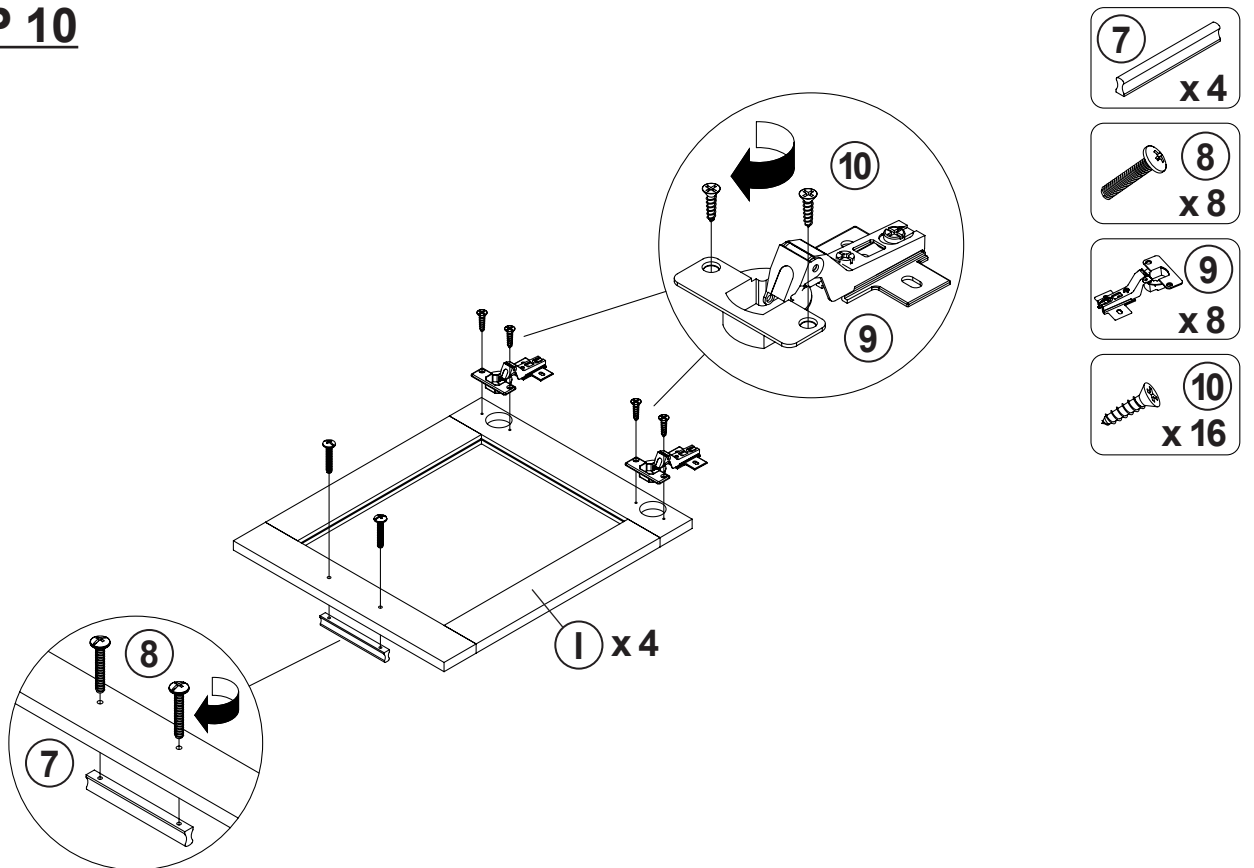
STEP 8




STEP 9

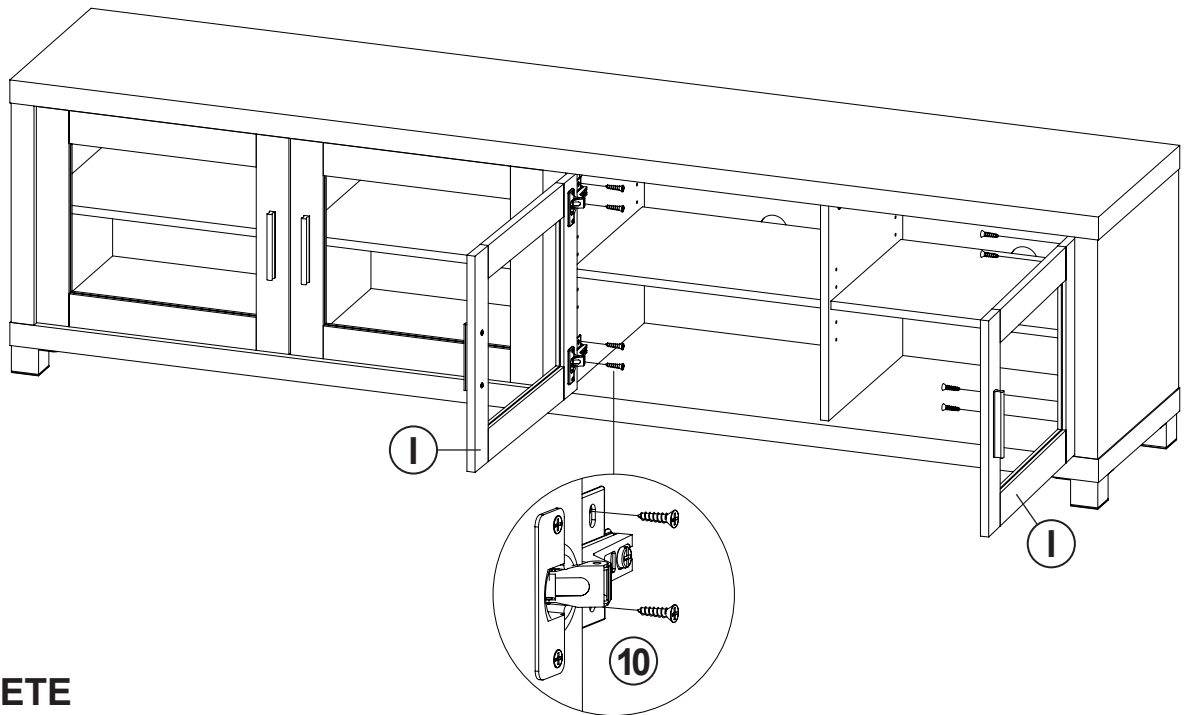
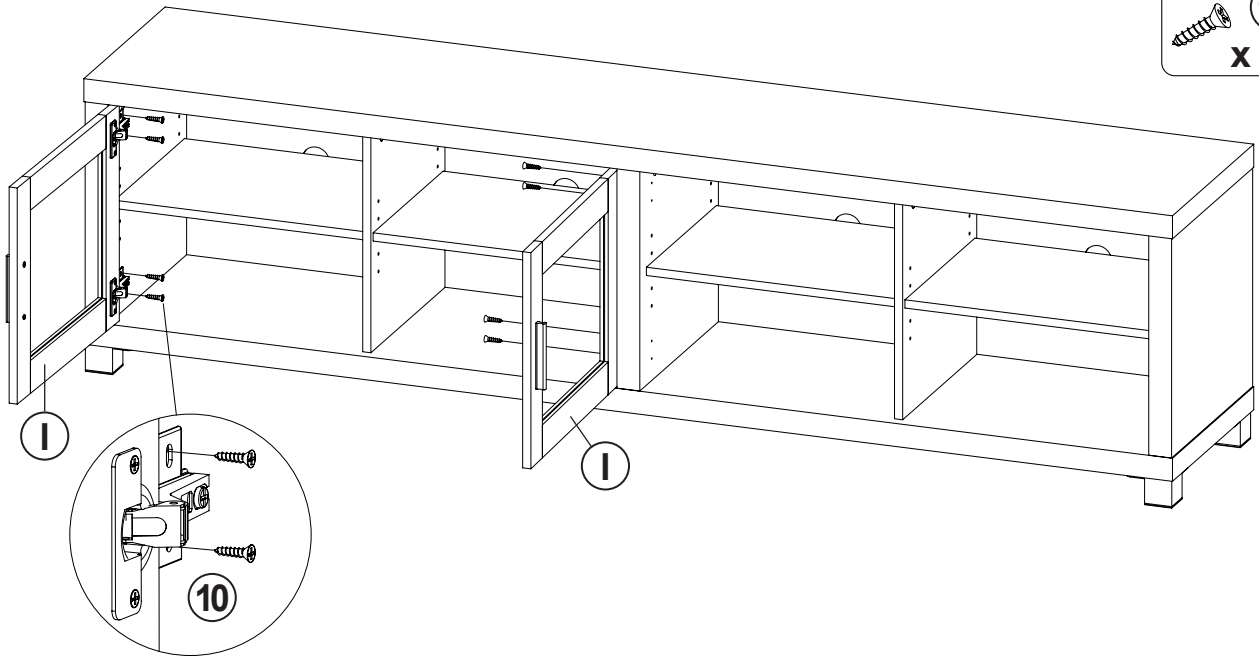


STEP 10

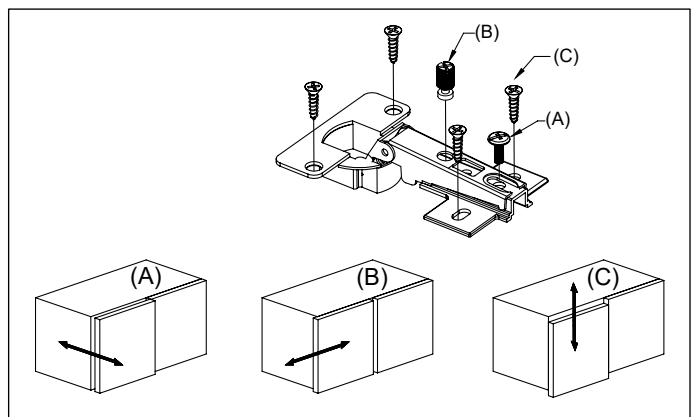
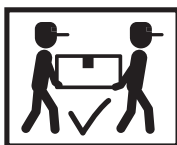
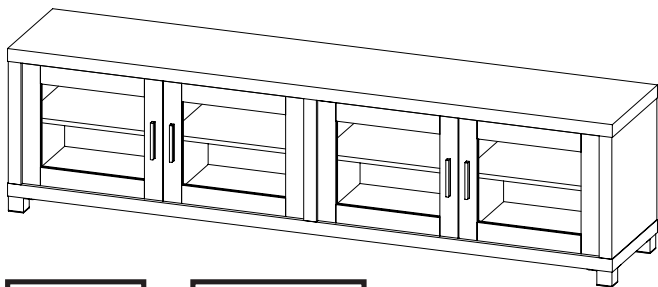


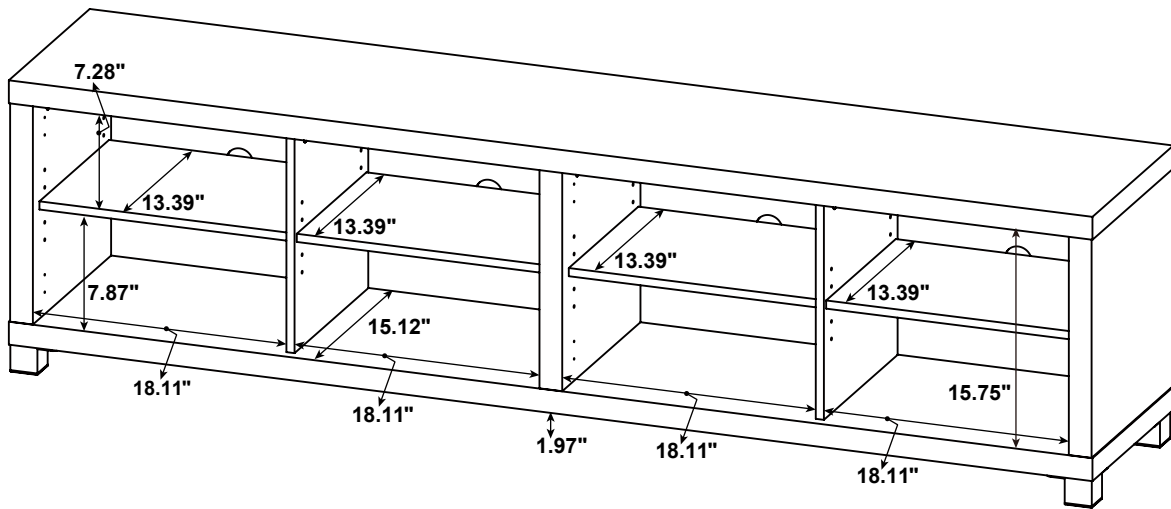
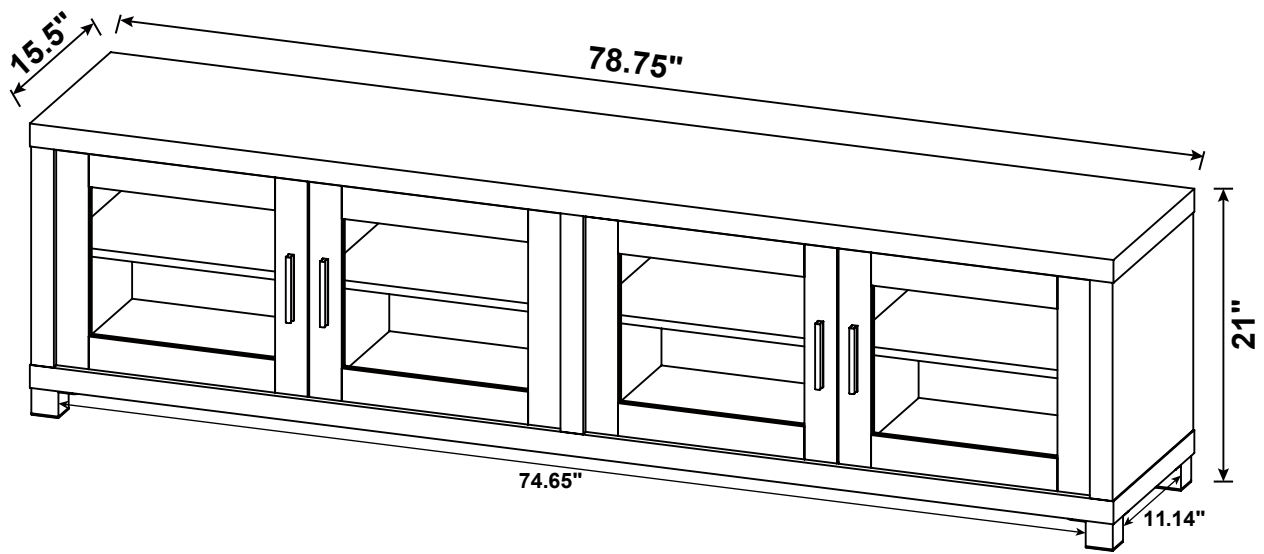
STEP 11

 **10**
x 16



COMPLETE





Note : Dimension tolerance $\pm 5\%$