
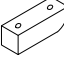
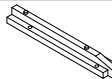


ASSEMBLY INSTRUCTION








DRESSER

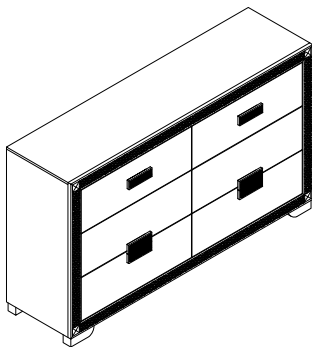
Thank you for purchasing this quality product. Be sure to check all packing material carefully for small parts that may have come loose inside the carton during shipment.

PART LIST :

No.	Description	Diagram	Quantity
A	DRESSER		1
B	BUN FOOT		4
C	CENTER SUPPORT		1

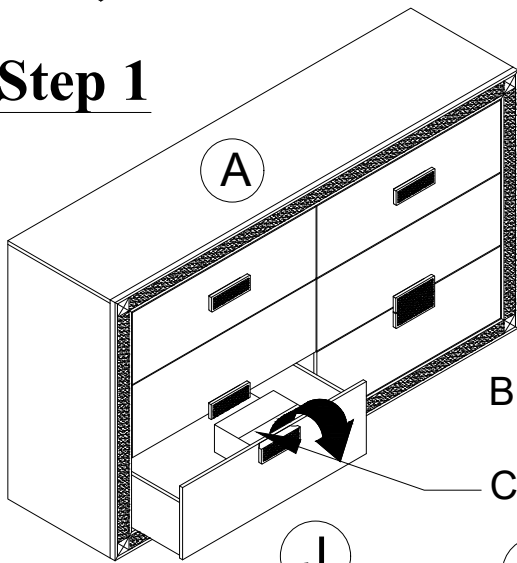
HARDWARE LIST :

No.	Description	Diagram	Size	Quantity
D	JCBC SCREW		M6 x 45mm	4
E	JCBC SCREW		M6 x 35mm	4
F	SPRING WASHER		M6 x 13mm	8
G	FLAT WASHER		M6 x 13mm	4
H	FLAT WASHER		M6 x 19mm	4
I	DOWEL		M8 x 40mm	4
J	ALLEN KEY		M4	1



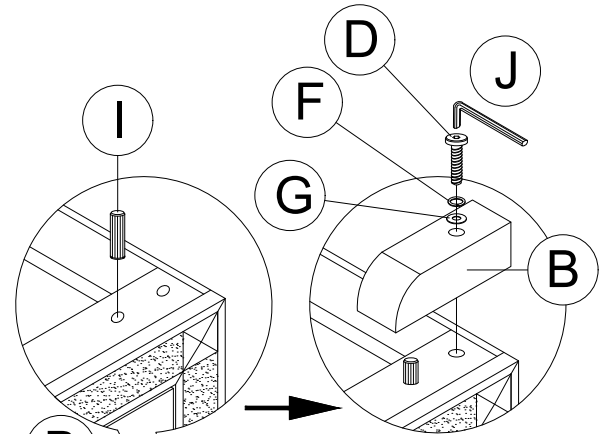
**COMPLETED
DRESSER
ASSEMBLY**

Step 1

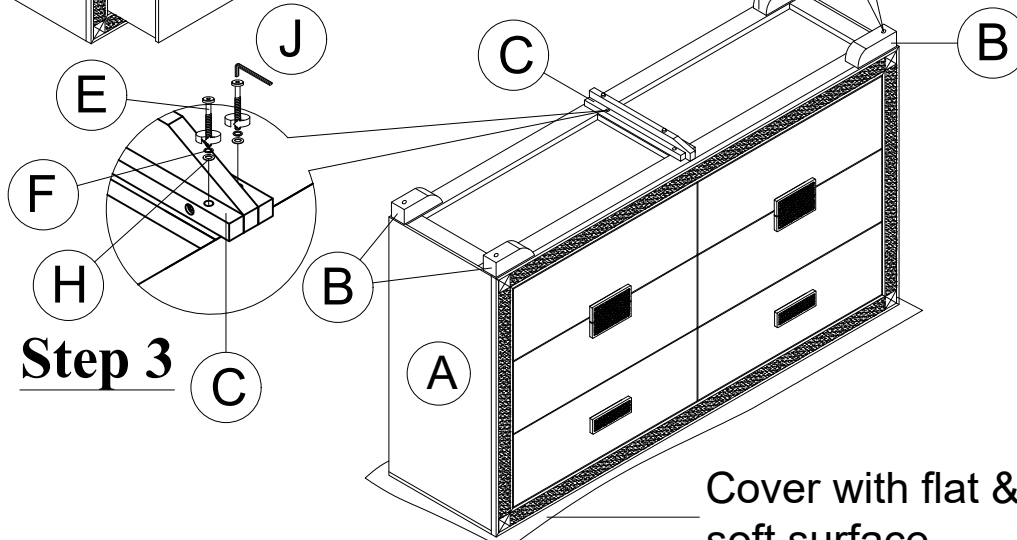


Bun Foot's
Box &
Center Support

Step 2



Step 3



Cover with flat & soft surface