

AFTERSALE SERVICE

Dear customer,

Thank you so much for purchasing the product from us, we really appreciate your support.

We are aimed to provide the best shopping experience to our customers. We also want to build a mutually beneficial relationship with our customers, and step further to make our brand both reliable, responsible and recommendable.

We hope that our products could meet your needs and expectations, please consider us again if you need more products for your home and kitchen.

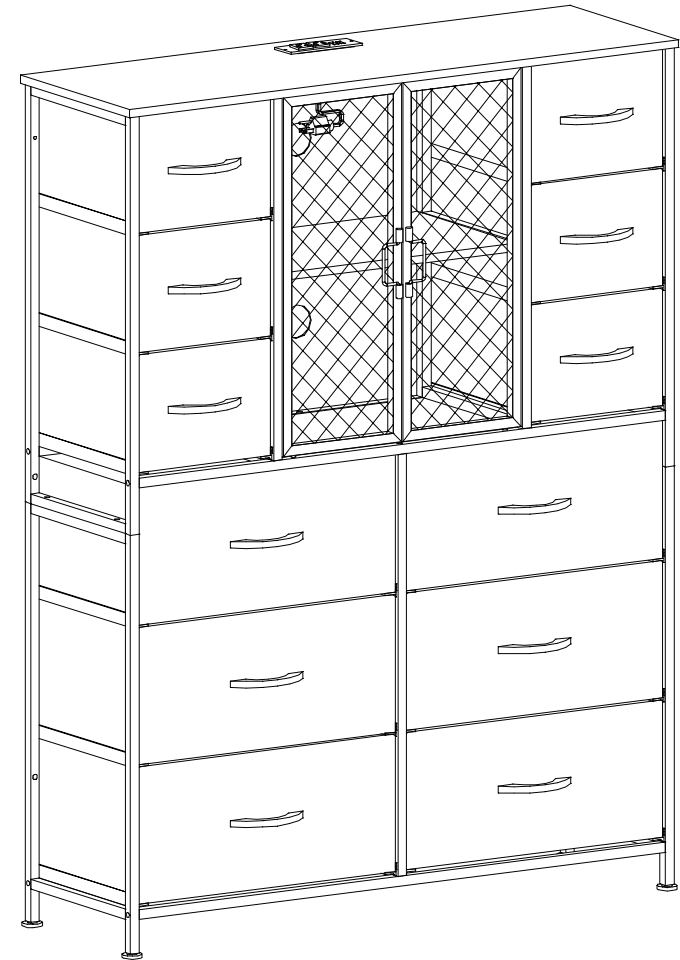
The package would be out of our control during shipping, please contact us through your purchasing channel directly if there is anything wrong with the box or contents. We are always here offering you our service.

We will reply your messages within 24 hours, please kindly wait for the response from our professional service team.

Your comfort and contentment are of utmost importance.

Best Regards,
Customer Care Specialist

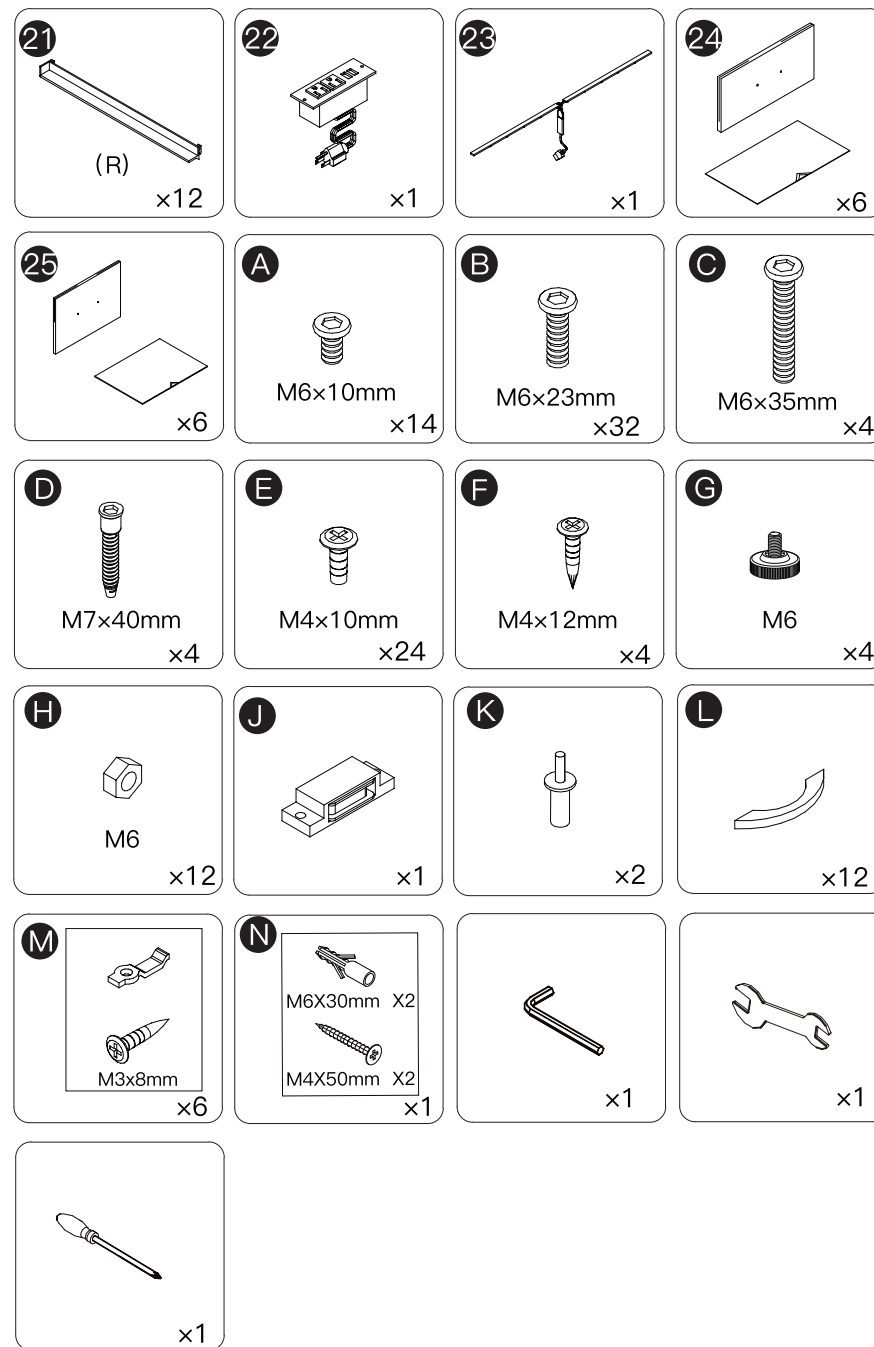
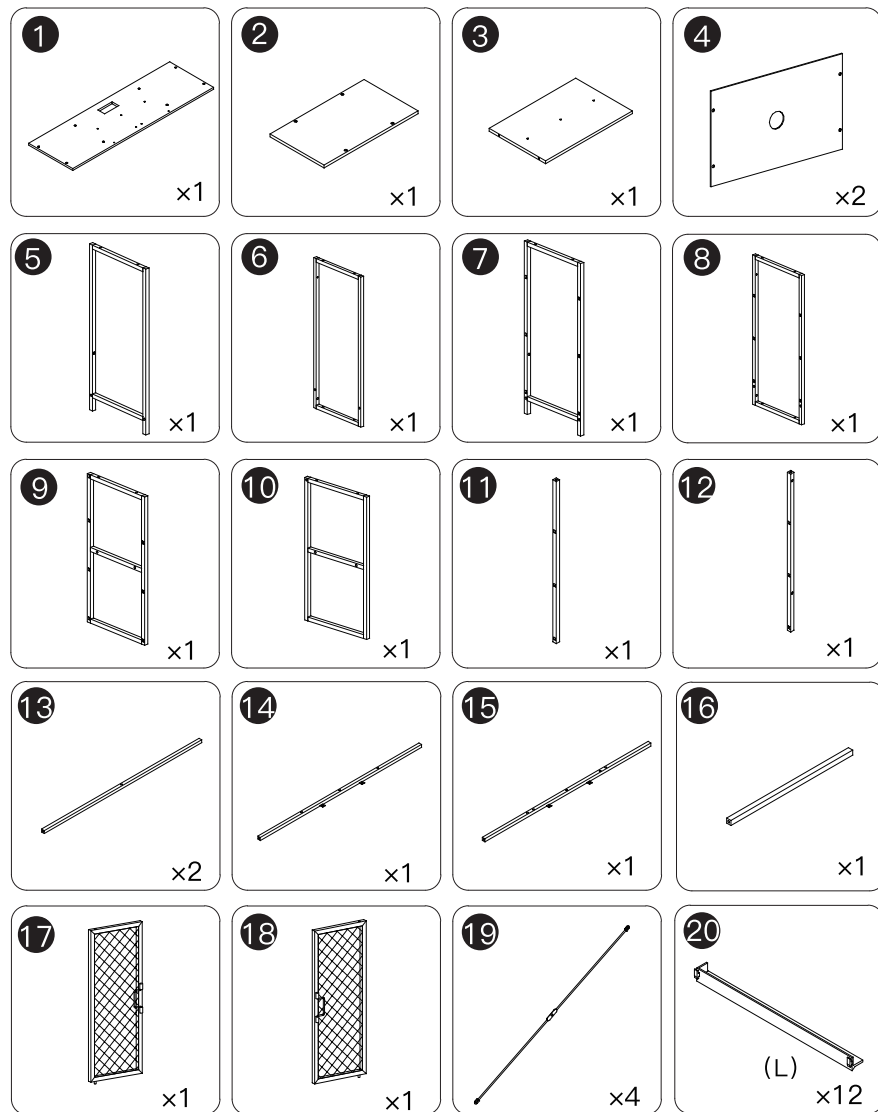
ASSEMBLY INSTRUCTION



Please check all parts and accessories according to the parts list before assembling, make sure all contents are sufficient and in good condition.

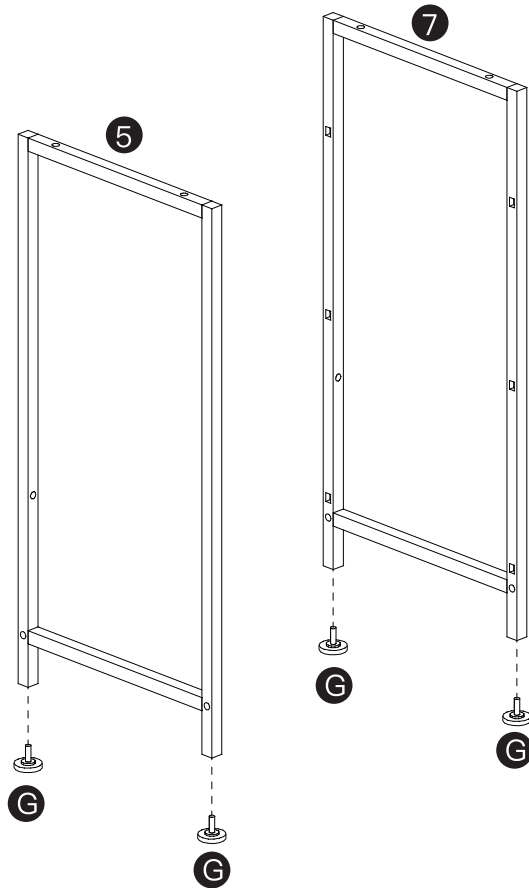
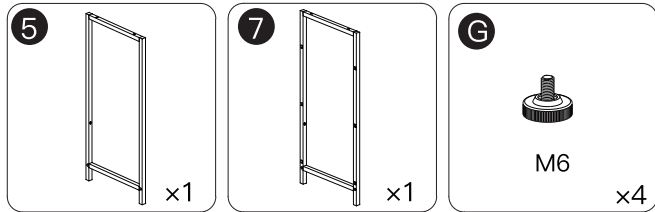
If there is any parts missing or defective, please contact us immediately with purchase platform message to get replacement parts.

PARTS:

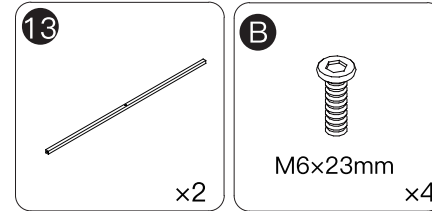


HOW TO INSTALL

Step 1 Install part **G** on part **5** & **7**.



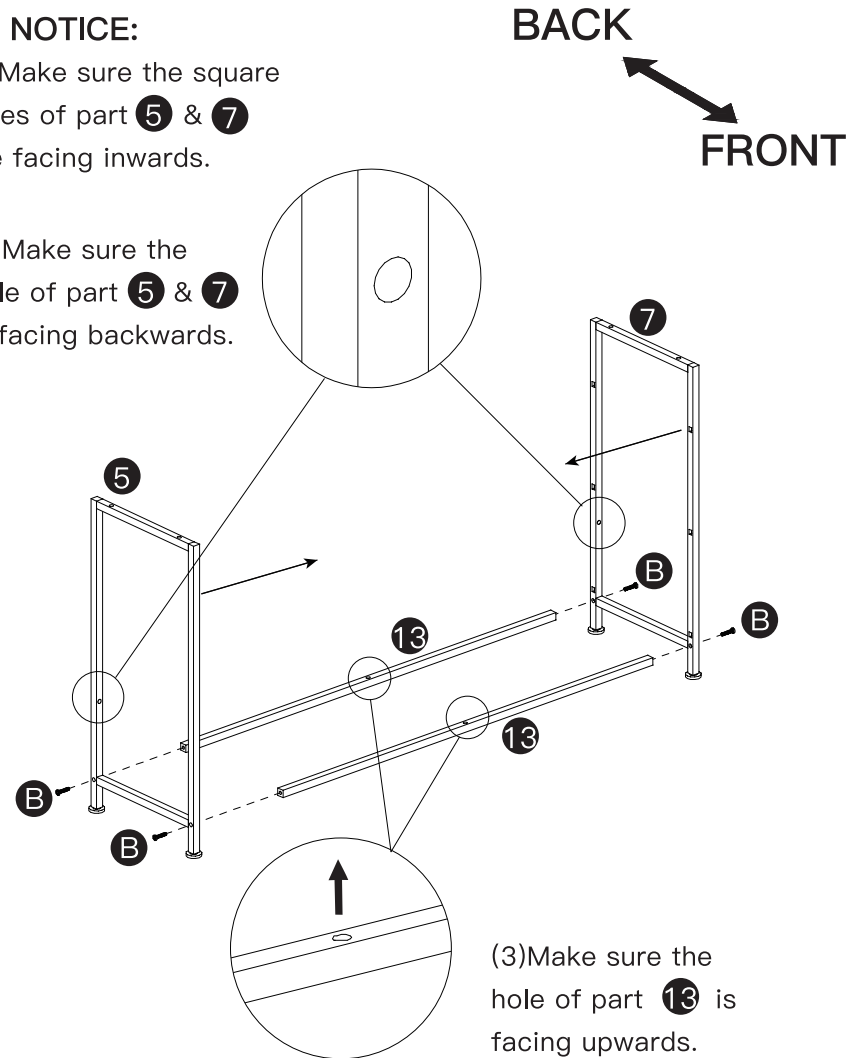
Step 2 Connect part **5** & **7** with part **13**, use part **B** to screw them



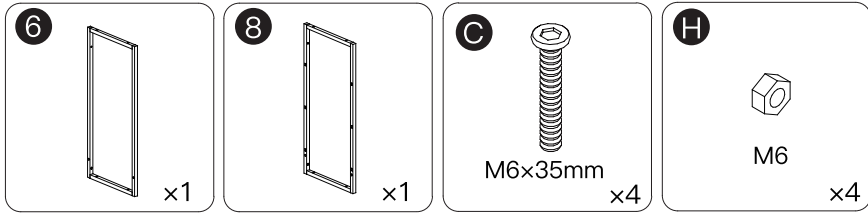
▲ NOTICE:

(1) Make sure the square holes of part **5** & **7** are facing inwards.

(2) Make sure the hole of part **5** & **7** is facing backwards.

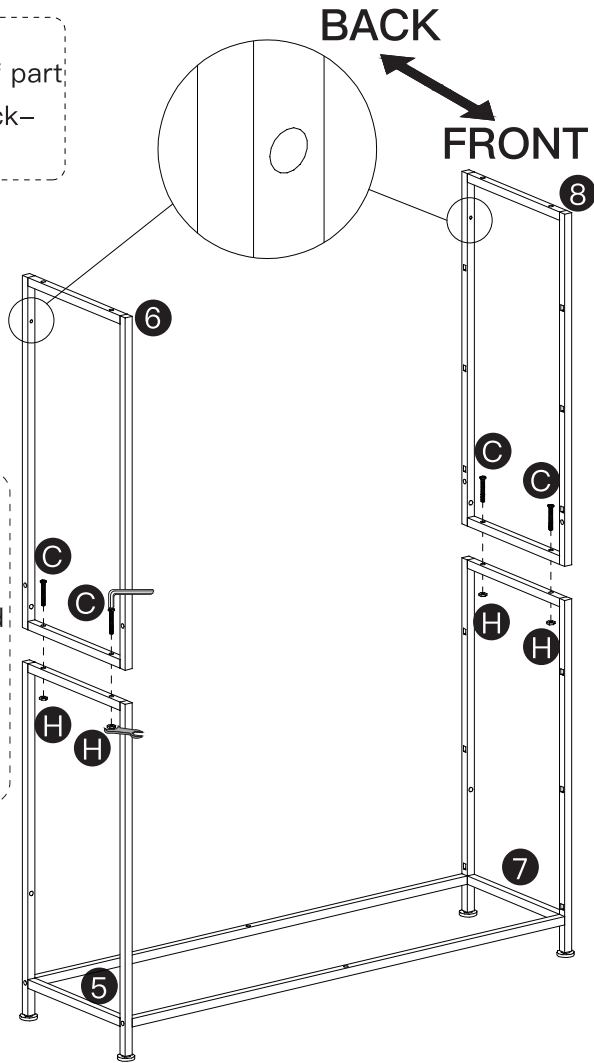


Step 3 Connect part 6 with part 5 by part C & H.
Connect part 8 with part 7 by part C & H.

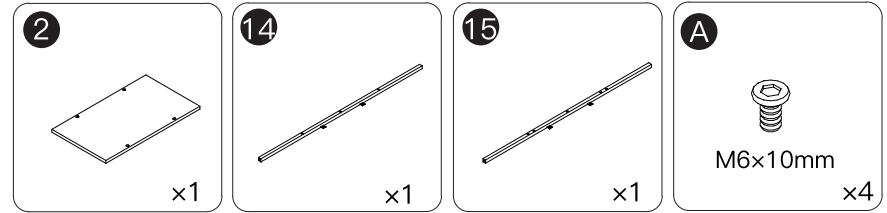


▲ NOTICE:
Make sure the hole of part 6 & 8 is facing back-wards and at the top.

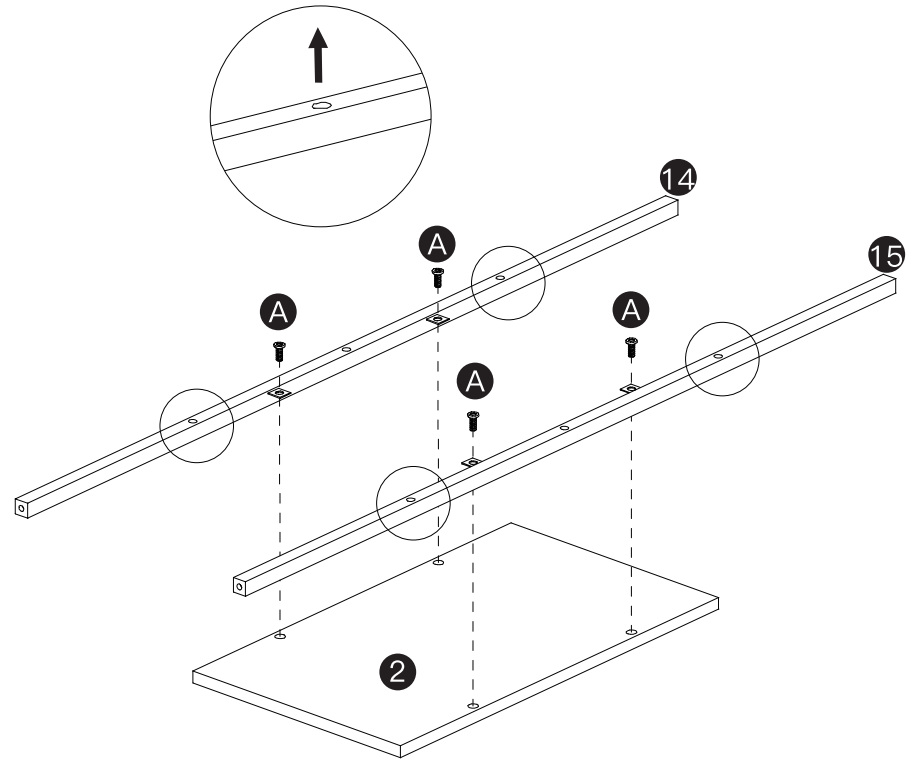
▲ NOTICE:
Please fix nut with wrench and tighten it with hex screwdriver.



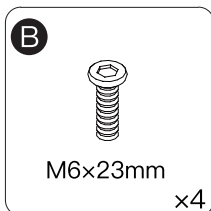
Step 4 Install part 14 & 15 on part 2, use part A to screw them.



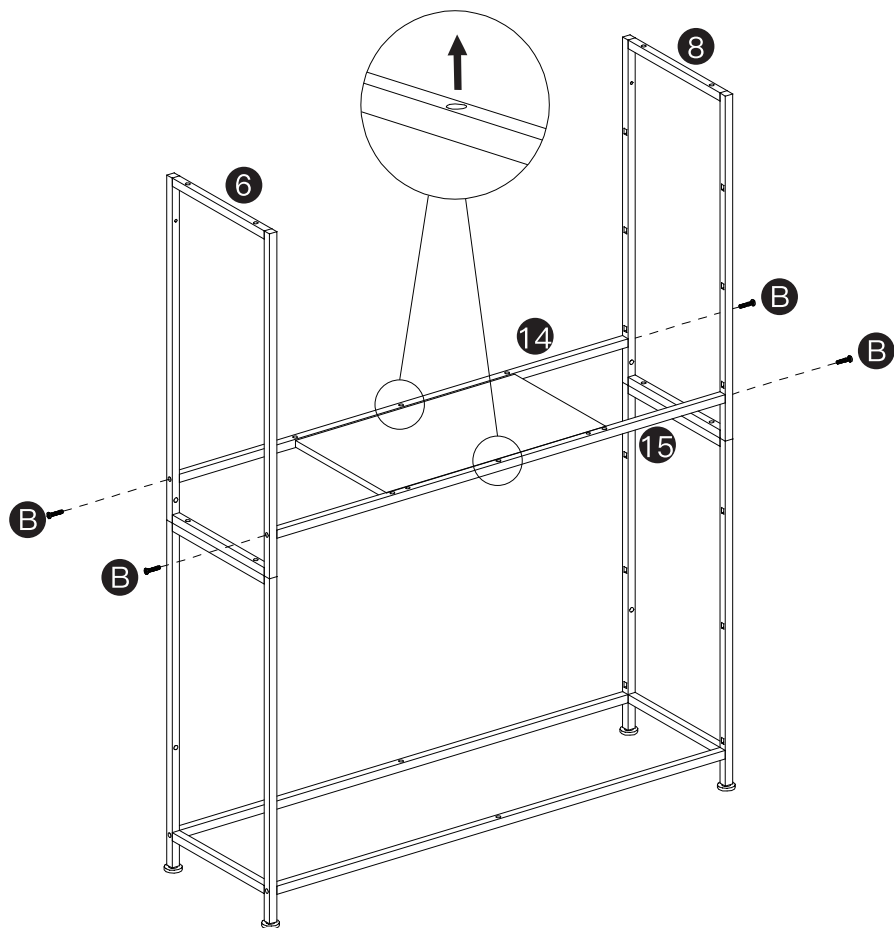
▲ NOTICE:
Make sure the larger holes of part 14 & 15 are facing upwards.



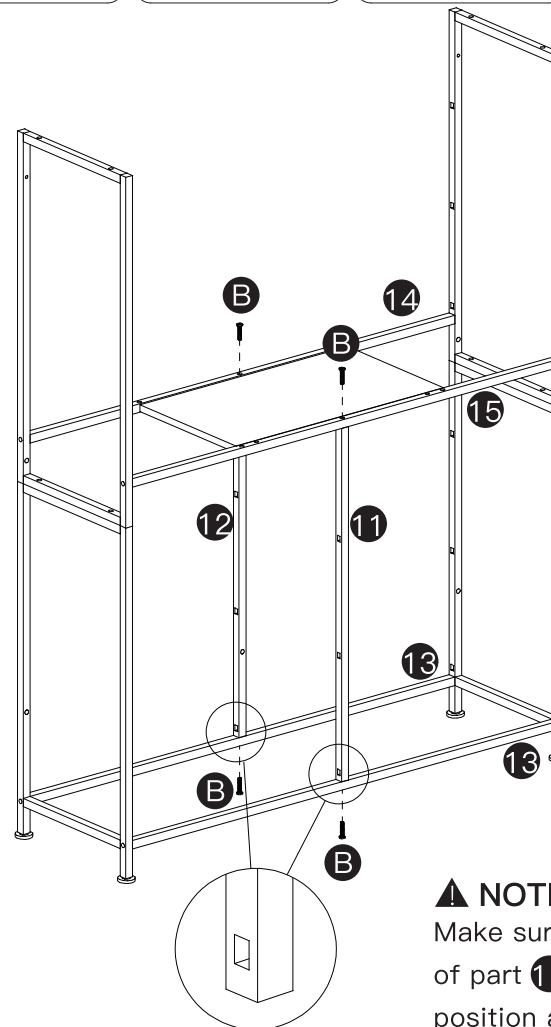
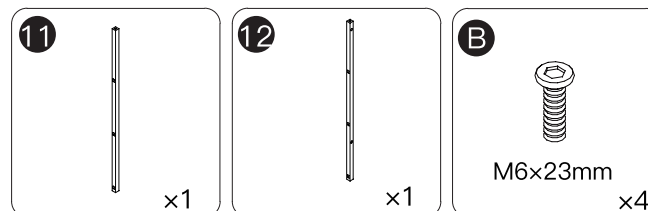
Step 5 Connect part 14 & 15 with part 6 & 8 by part B.



▲ NOTICE:
Make sure the larger hole of part 14 & 15 is facing upwards.

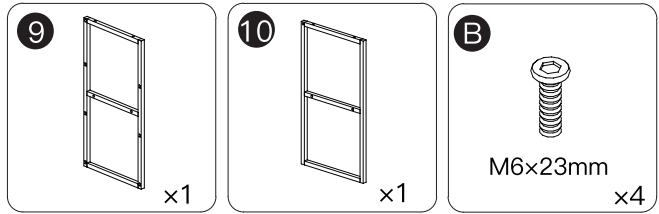


Step 6 Connect part 13 & 14 with part 12 by part B.
Connect part 13 & 15 with part 11 by part B.



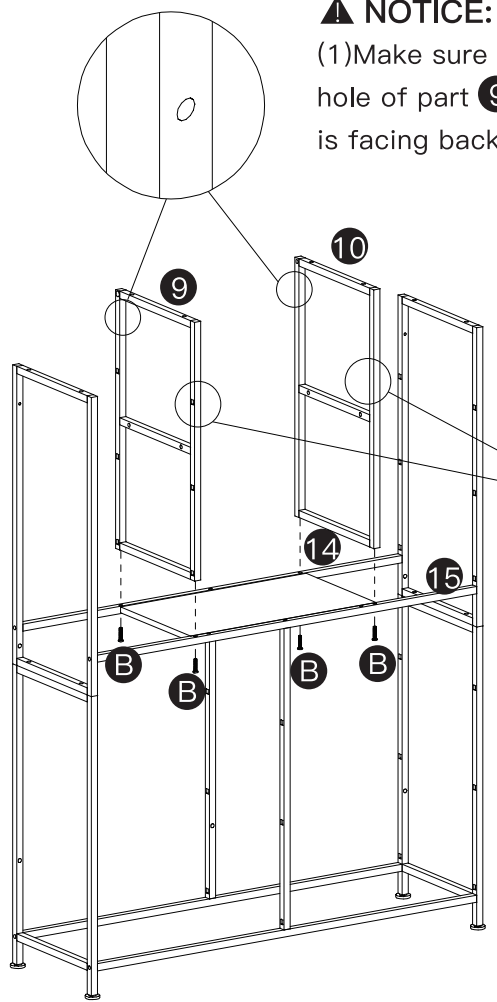
▲ NOTICE:
Make sure the square hole of part 11 & 12 is on right position as shown.

Step 7 Connect part 9 & 10 with part 14 & 15, use part B to screw them.



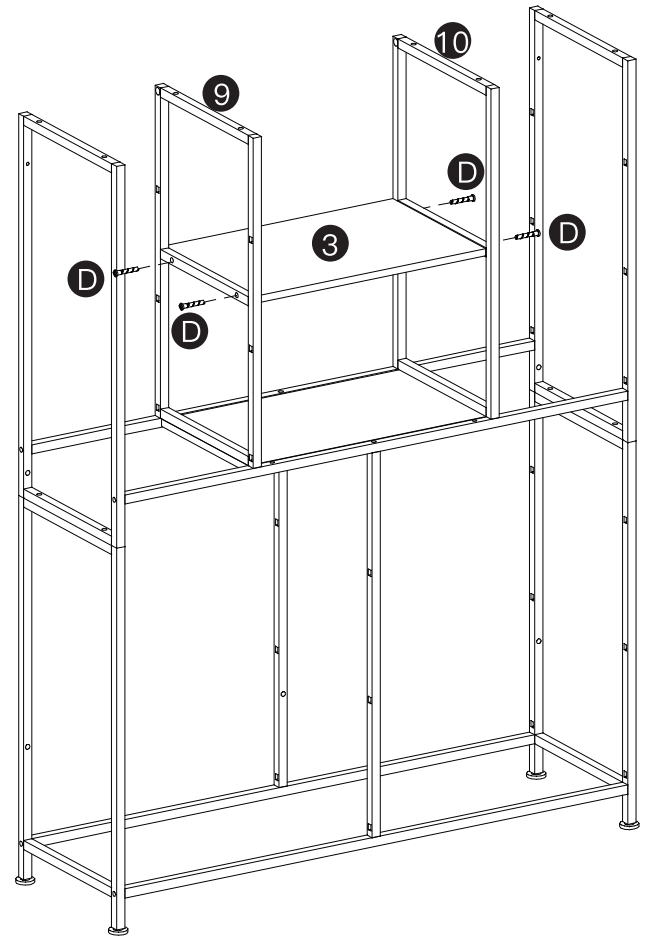
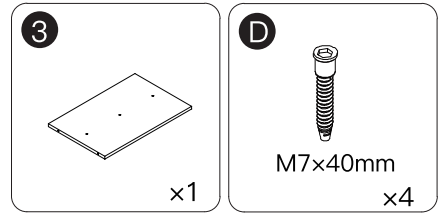
▲ NOTICE:
 (1) Make sure the hole of part 9 & 10 is facing backwards.

BACK
FRONT

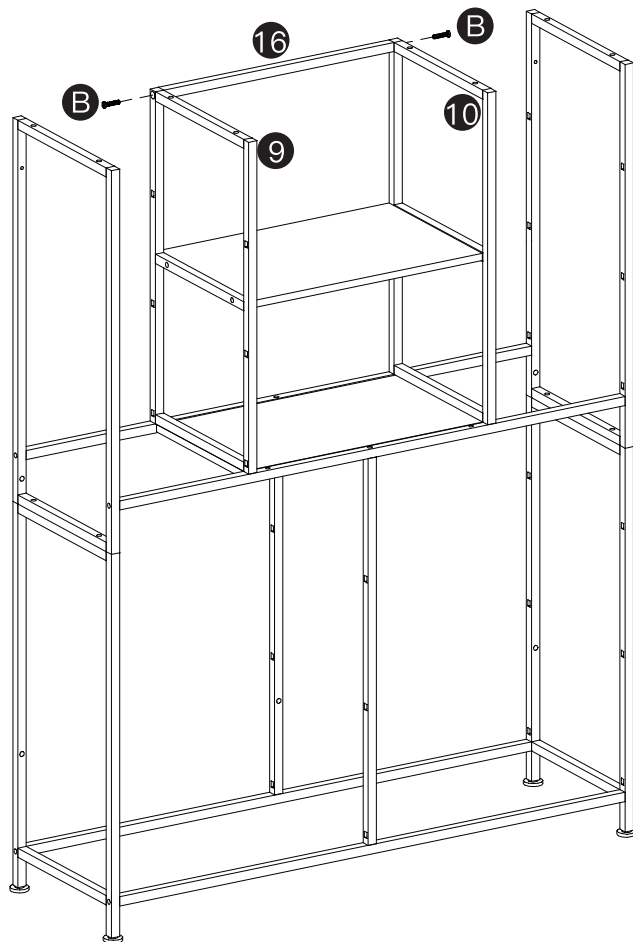
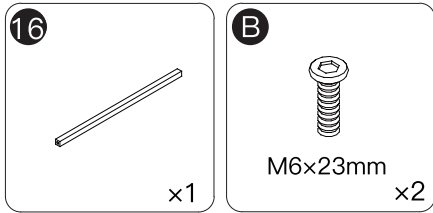


(2) Make sure the square hole of part 9 & 10 is facing outwards.

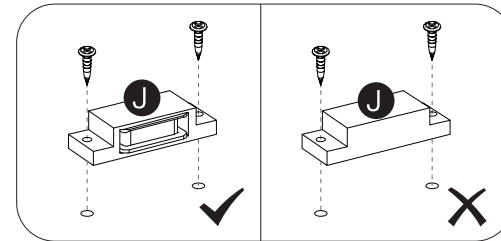
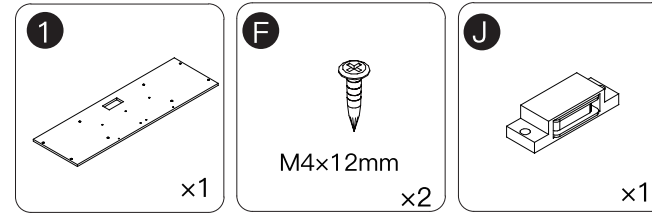
Step 8 Connect part 9 & 10 with part 3, use part D to screw them.



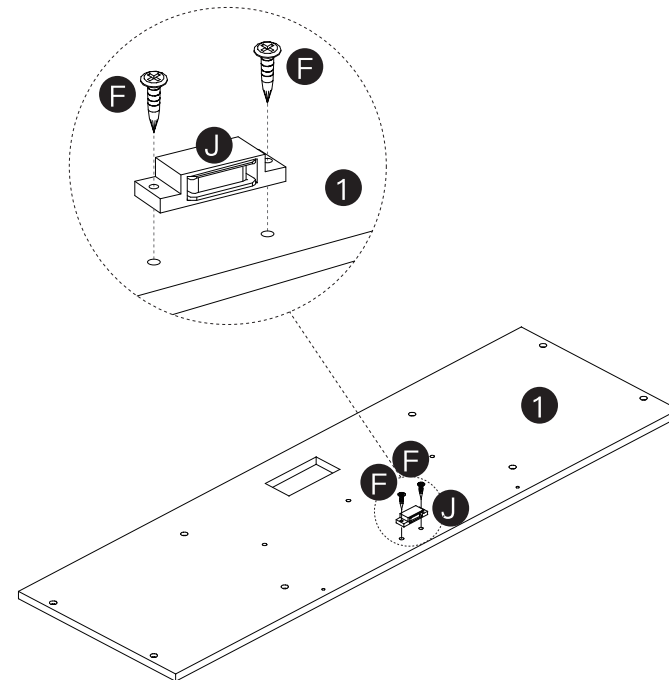
Step 9 Connect part **9** & **10** with part **16**, use part **B** to screw them.



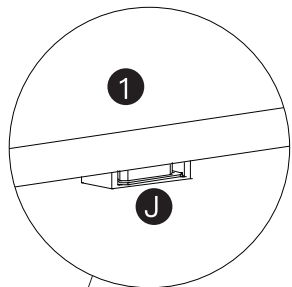
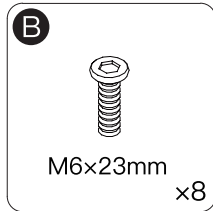
Step 10 Install part **J** on part **1** with part **F**.



▲ NOTICE:
Make sure the magnetic port faces outward.

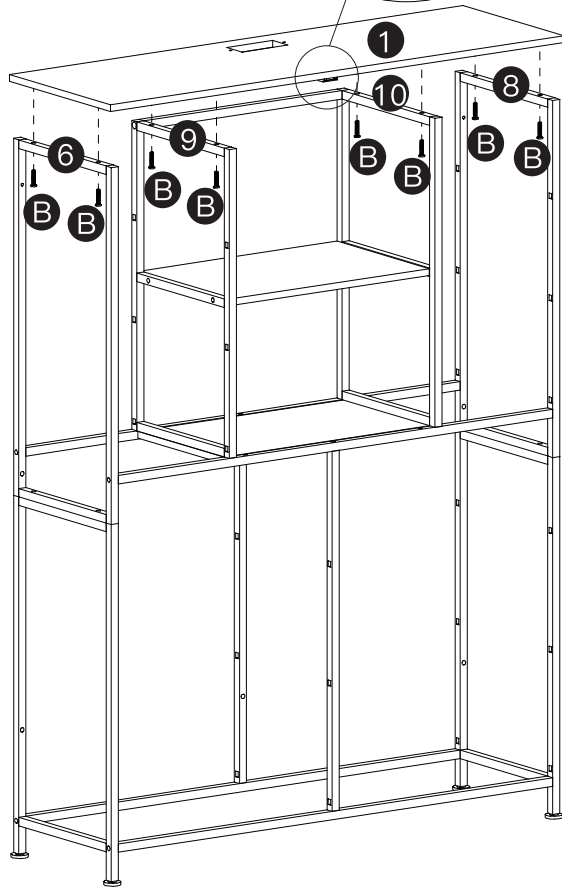


Step 11 Connect part **1** with part **6**, **8**, **9** & **10** by part **B**.

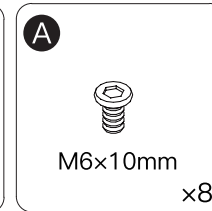
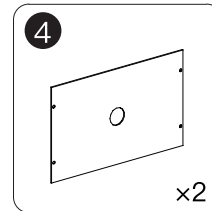


BACK
FRONT

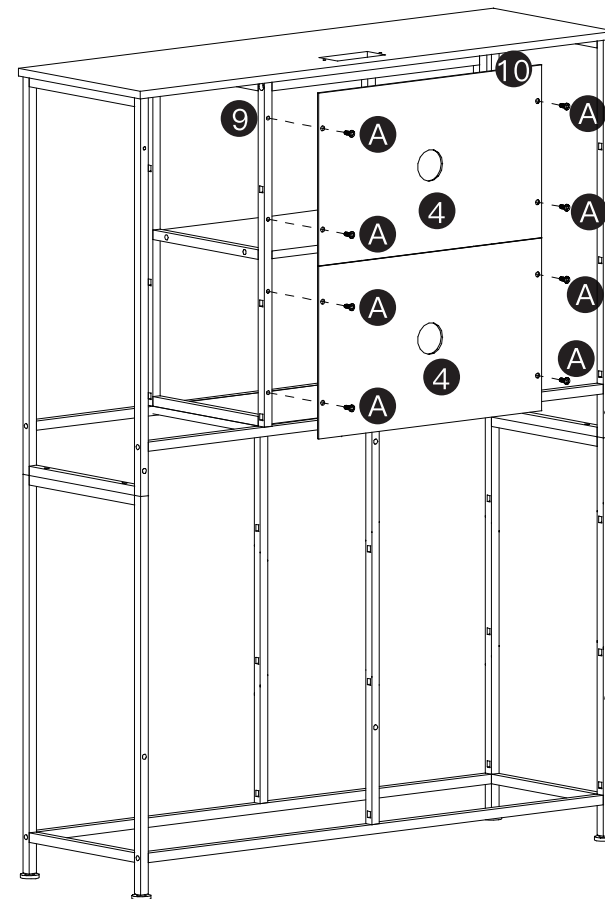
▲ NOTICE:
Make sure the
magnet (part **J**)
faces front.



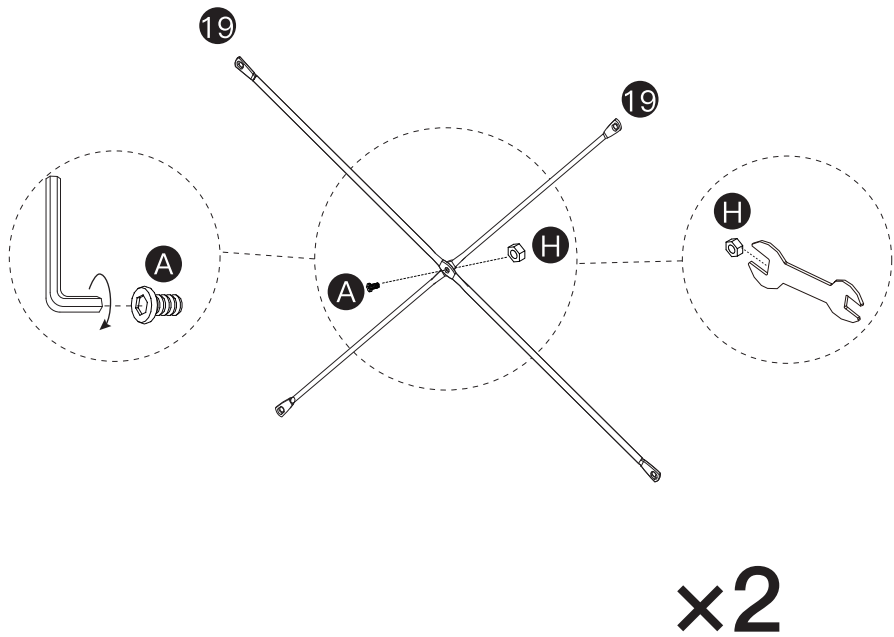
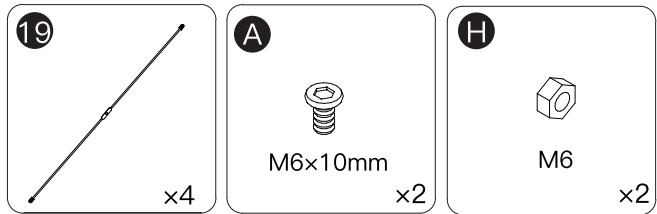
Step 12 Turn the frame around, connect part **9** & **10** with part **4**, use part **A** to screw them.



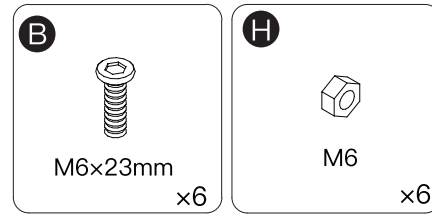
FRONT
BACK



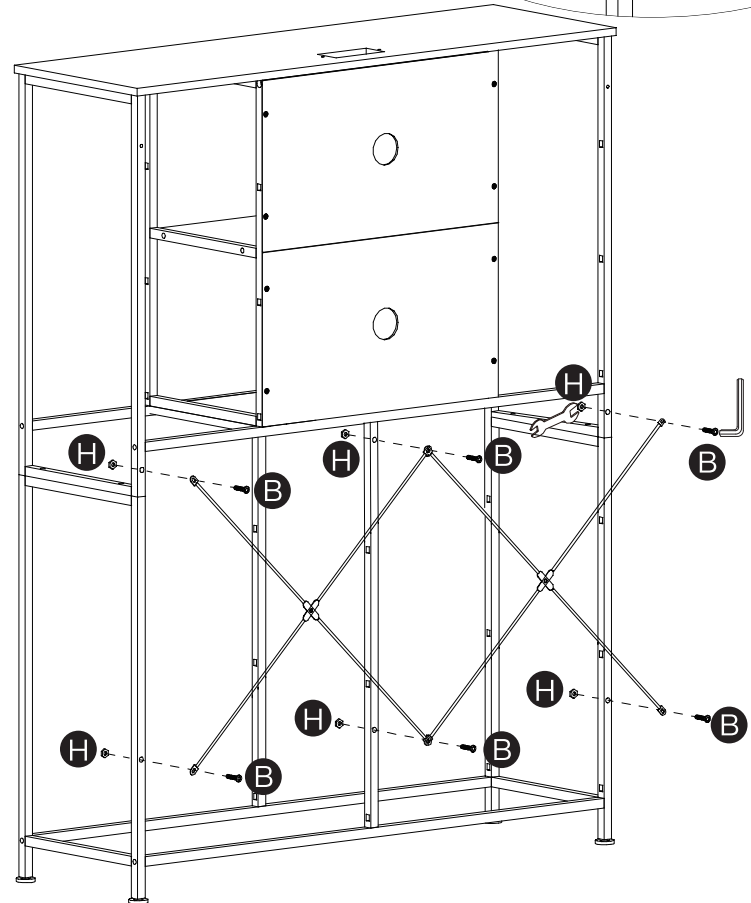
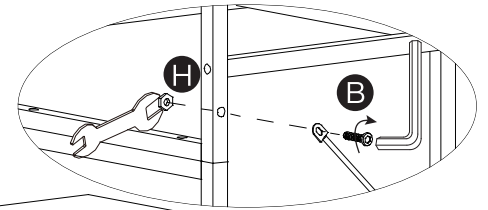
Step 13 Connect part 19 with part A & H to form two X-Shape parts.



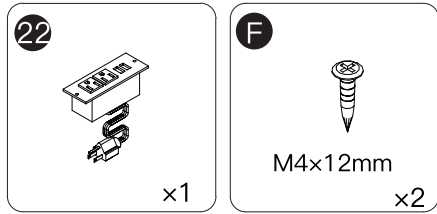
Step 14 Attach the X-shape parts to the back of the frame, use part B & H to lock them in.



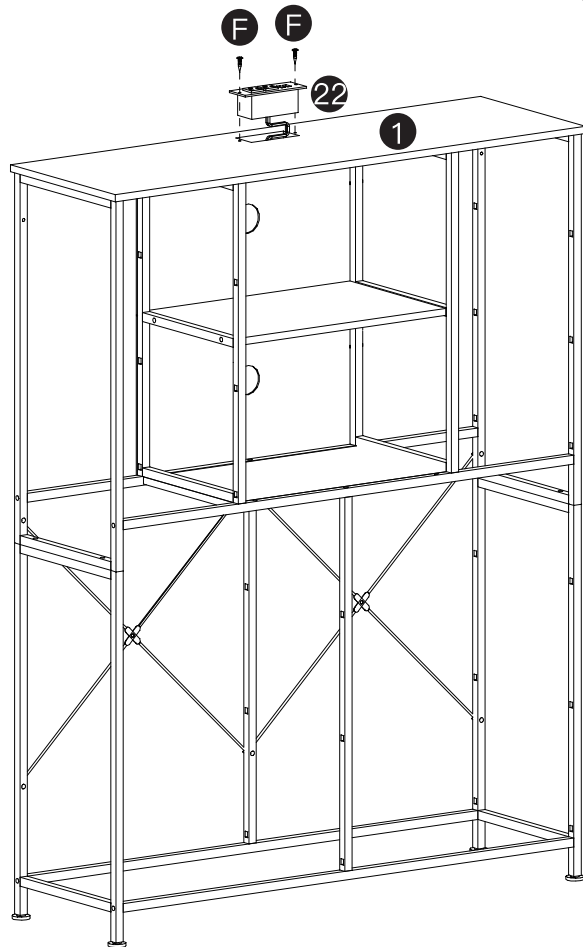
FRONT
BACK



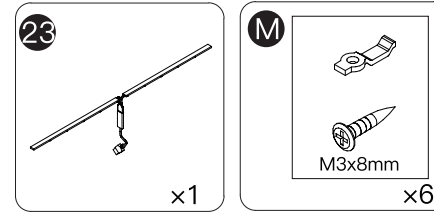
Step 15 Install part 22 on part 1 with part F.



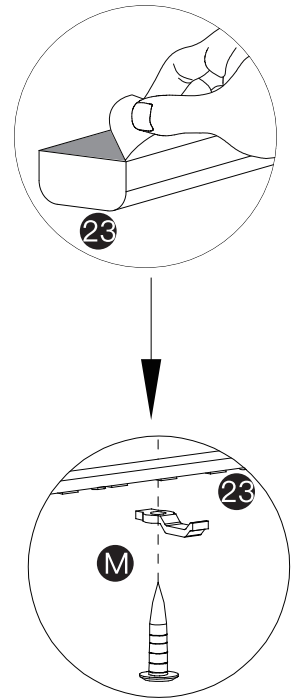
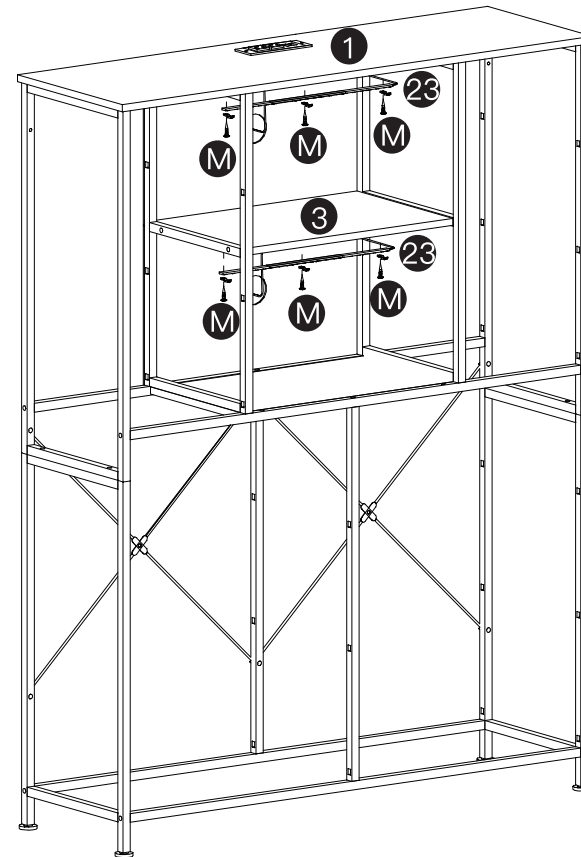
BACK
FRONT



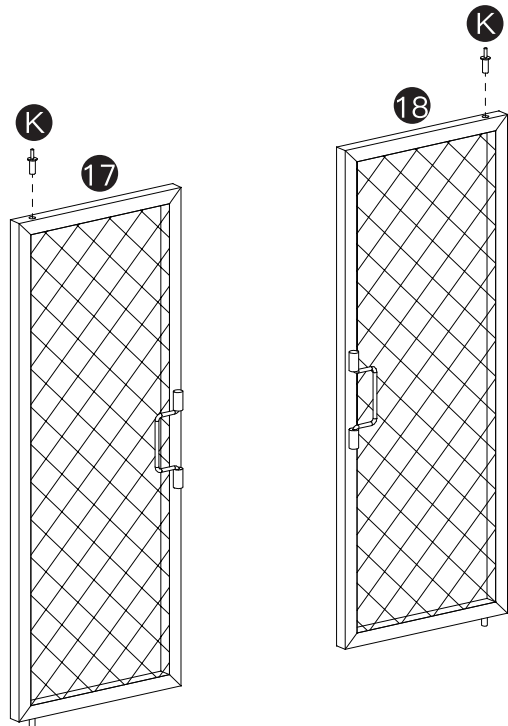
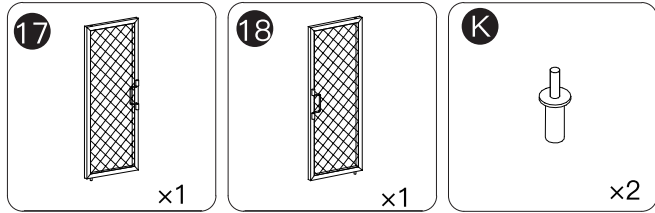
Step 16 Install part 23 on part 1 & 3 with part M.



BACK
FRONT

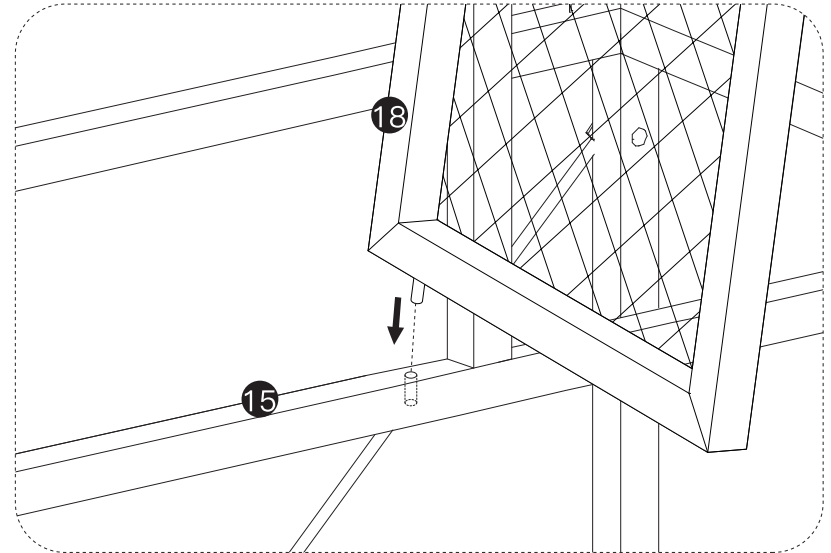


Step 17 Insert part **K** into part **17** & **18**.

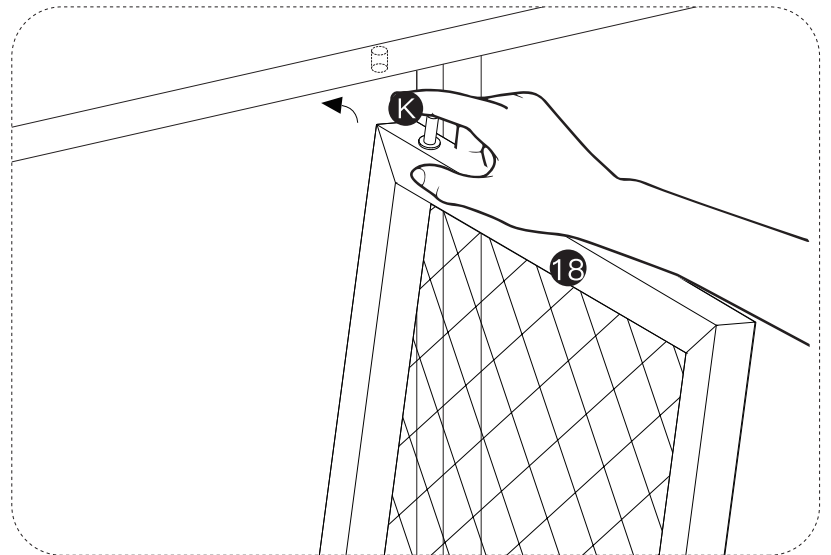


Step 18 Install part **17** and part **18** on the front side of the frame.

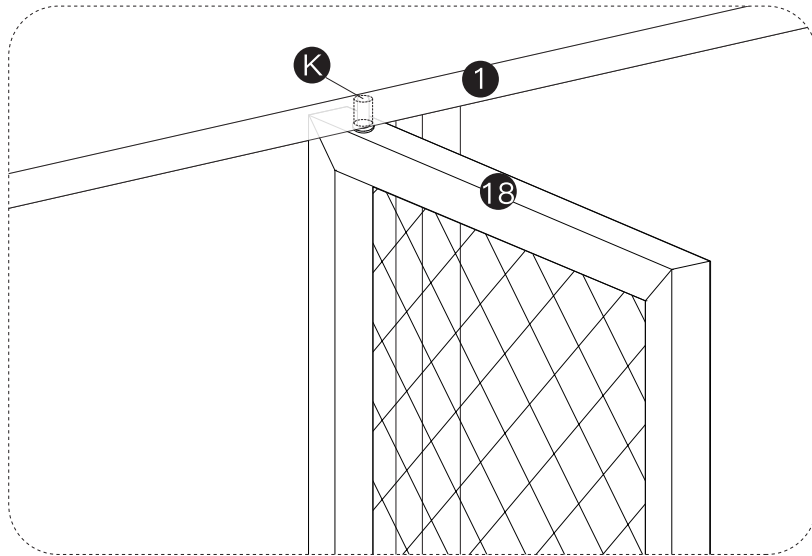
(1) Tilt and insert the door panel into the hole at the bottom.



(2) Press part **K** and hold.



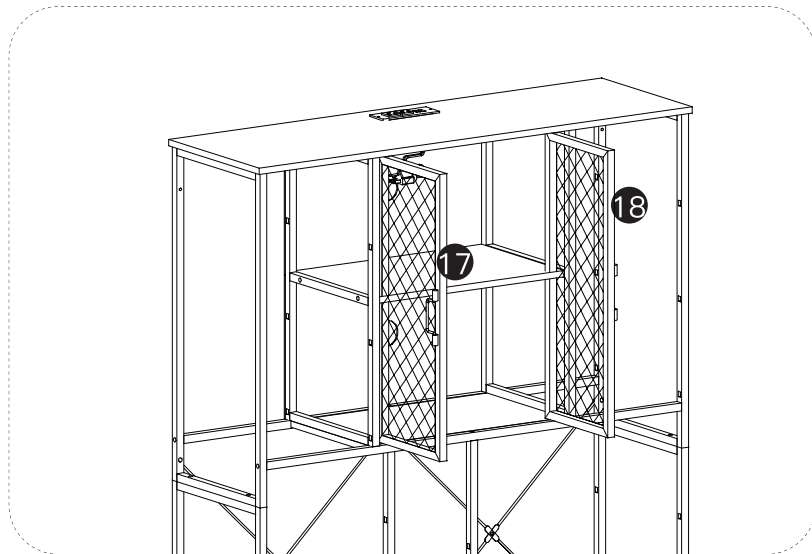
(3) Move the door panel till part **K** into the hole at the top.



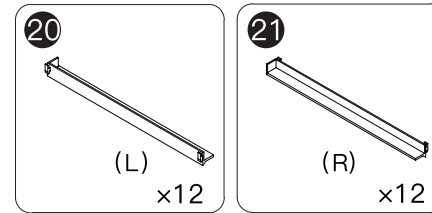
REMARK:

If you have trouble installing the door panel, please loosen corresponding screws.

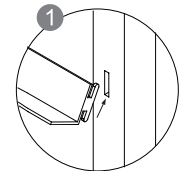
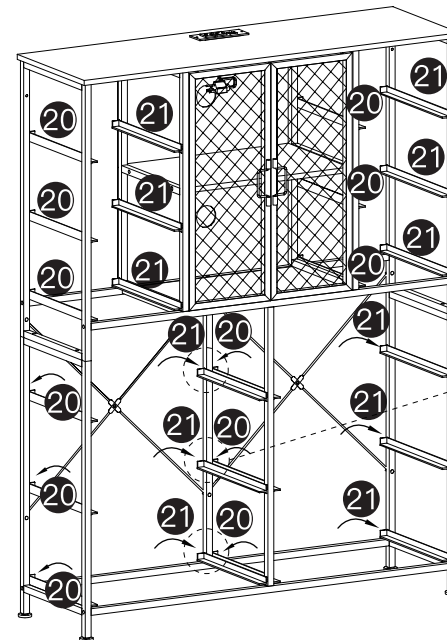
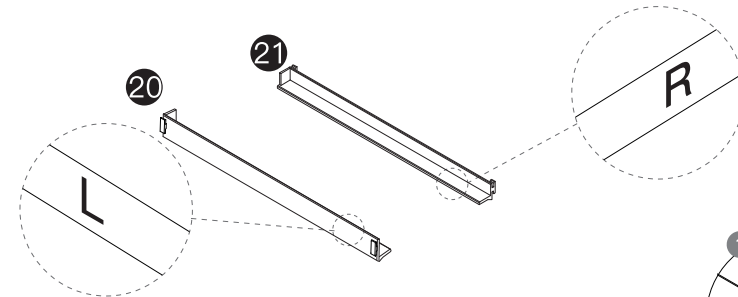
(4) Door installation is completed.



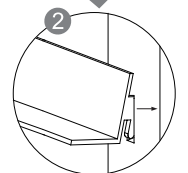
Step 19 Install part **20** and part **21** on the frame.



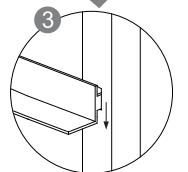
There's a corresponding L and R mark on each part located in a specified spot designed to distinguish them from each other easily.



Insert the upper part into the square hole.

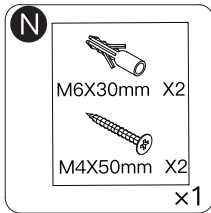


Then insert the rest part horizontally.

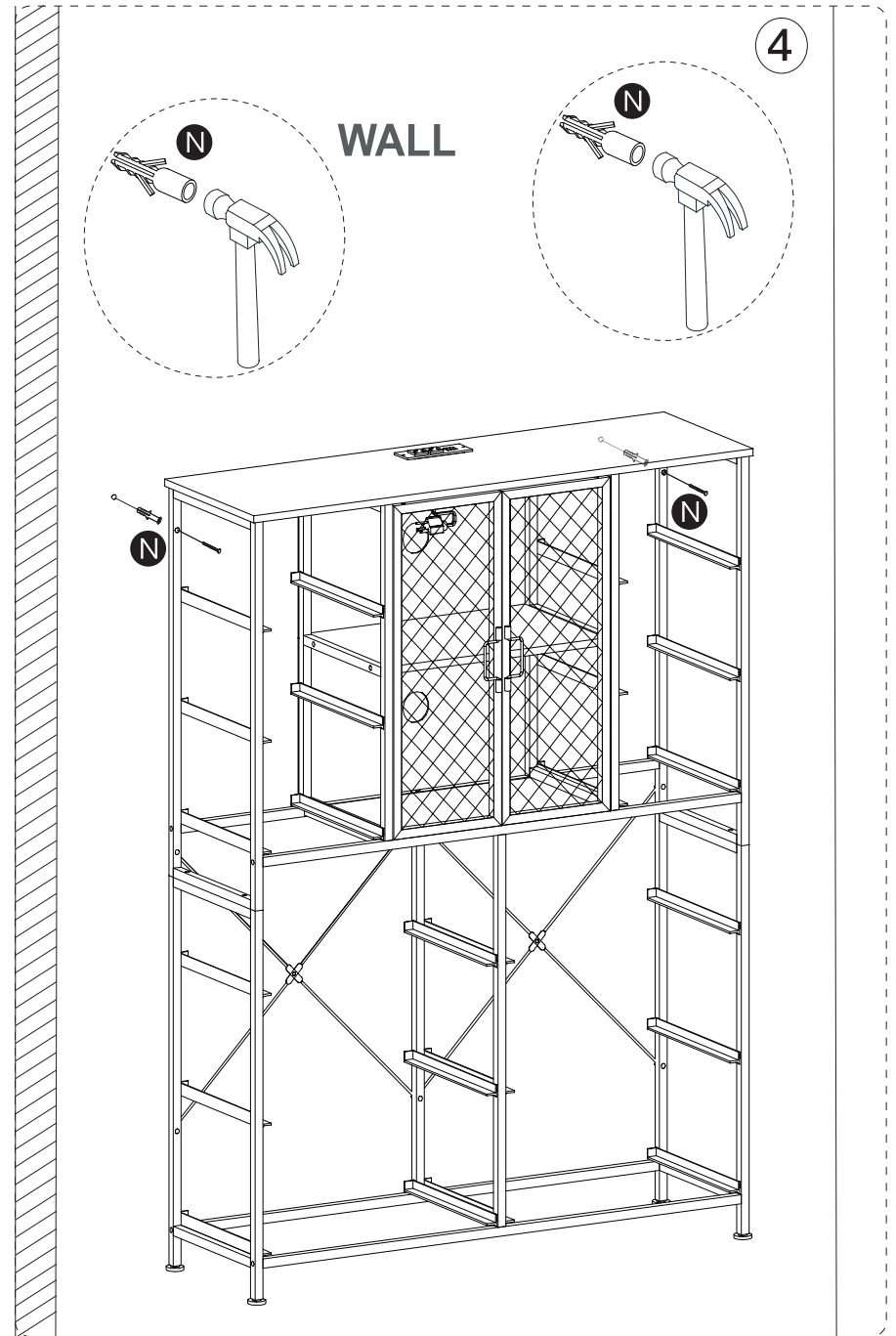
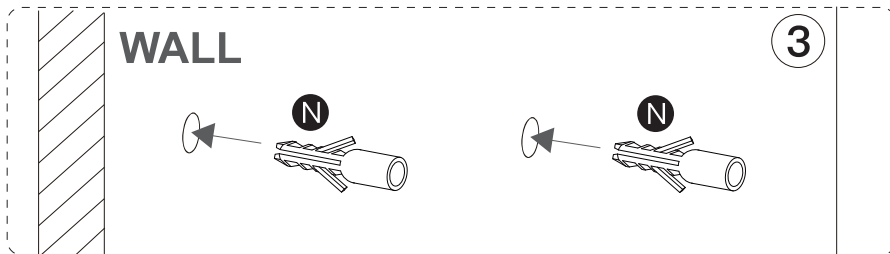
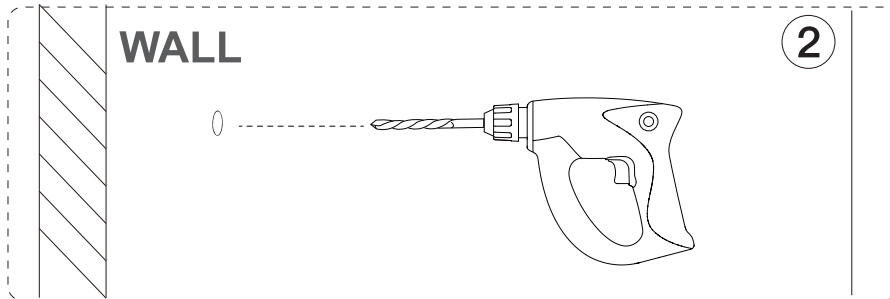
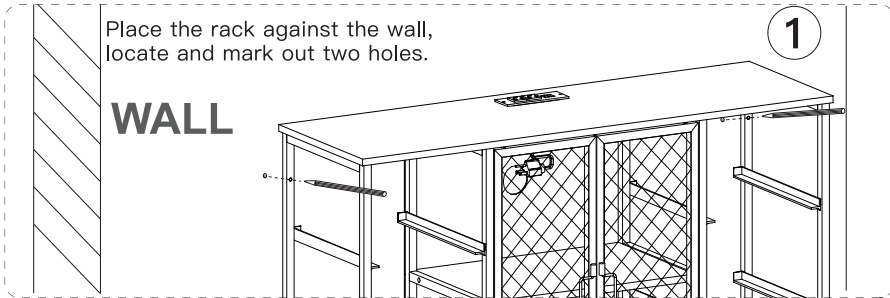


Press down the rail to ensure proper installation.

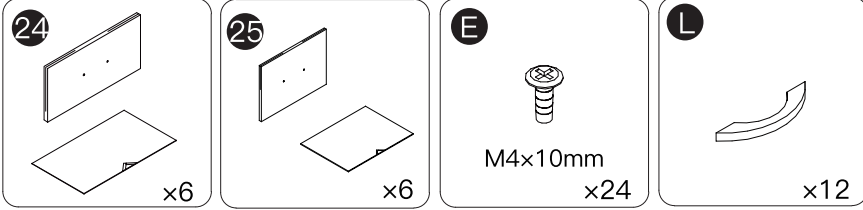
Step 20 (Optional) Drill 2 holes on a solid wall and insert wall anchors of part **N** inside, then lock the rack with part **N**.



NOTICE:
Electric drill does not included in our parts, please prepare it by yourself.

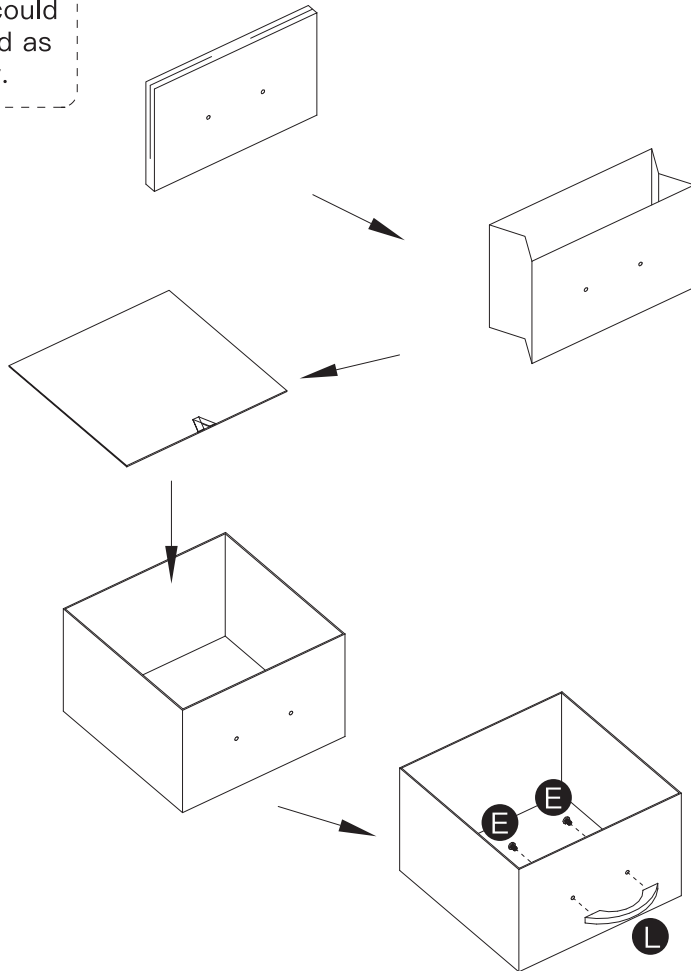


Step 21 Open the drawers (part 24 & 25) and put the support boards inside, and install part L on the drawers with part E.



REMARK:

All drawers could be assembled as shown below.



Step 22 Put all drawers into the frame.

