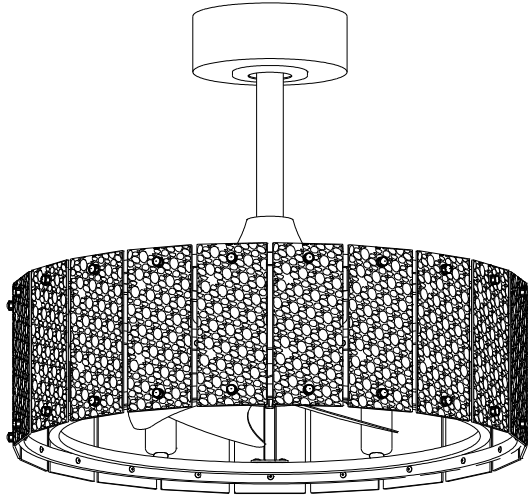
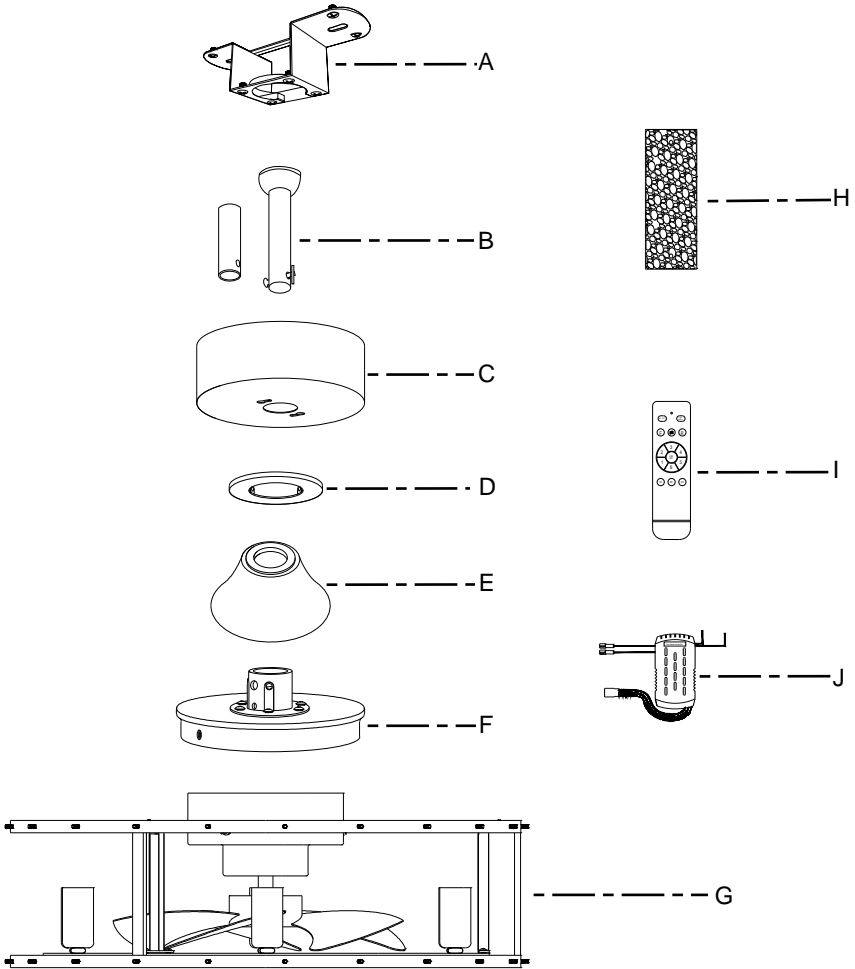


# Manual Book

Ceiling Fan with Lights



# Packing List



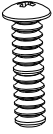
Part	Description	Quantity
A	Mounting Bracket	1
B	Downrod	2
C	Canopy	1
D	Canopy Ring	1
E	Coupling Cover	1

Part	Description	Quantity
F	Yoke Assembly	1
G	Fan Frame	1
H	Glass	21
I	Remote Control	1
J	Griver	1

**Note:** Some parts may be assembled together in the package.

Clevis pin & "R" pin (assembled) (HH) are pre-installed on downrod (B).

# Installation kit



**AA**



**BB**



**CC**



**DD**



**EE**



**FF**



**GG**



**HH**

Part	Description	Quantity
AA	Outlet Box Screw	3
BB	Wood Screw	4
CC	Yoke Screw	4
DD	Flat Washer	7
EE	Silicon Washer	42
FF	Wire Nut	3
GG	Knurled Nut	42
HH	Clevis Pin & "R" Pin (assembled)	1

**Note:** For your convenience, you may receive extra hardware.

Clevis pin & "R" pin (assembled) (HH) are pre-installed on downrod (B).

# Safety Rules

---

1. Be sure the power to the wires you are working on is disconnected, either the fuse is removed or the circuit breaker is turned off. Turning the power off using the light switch is not sufficient to prevent electrical shock.
2. A qualified licensed electrician is required for the installation.
3. The outlet box and support structure must be securely mounted and capable of reliably /supporting a minimum of 70 pounds. Use only UL (cUL for Canadian Installation) listed mounting boxes marked "FOR FAN SUPPORT".
4. The fan must be mounted with a minimum of 7 feet clearance from the trailing edge of the blades to the floor.
5. Do not operate reversing switch while fan blades are in motion (if applicable). Fan must be turned off and blades stopped before reversing blade direction.
6. Do not place any objects in the path of the blades.
7. To avoid personal injury or damage to the fan and other items, be cautious when working around or cleaning the fan.
8. Do not use water or detergents when cleaning the fan or fan blades. A dry dust cloth or lightly dampened soft cloth will be suitable for the cleaning.
9. After marking electrical connections, spliced conductors should be turned upward and pushed carefully up into outlet box. The wires should be spread apart with the grounded conductor on one side of the outlet box.
10. Electrical diagrams are reference only, different fan light may have different light shade and bulbs.
11. Use only our replacement parts. This equipment has been tested and found to comply with the limits for a class B digital device, pursuant to part 15 of the FCC Rules. These limits are to provide reasonable protection against harmful interference in a residential installation. This equipment generates, uses and can radiate radio frequency energy and if not installed and used in accordance with the instructions may cause harmful interference to radio communications.

## **Warning:**

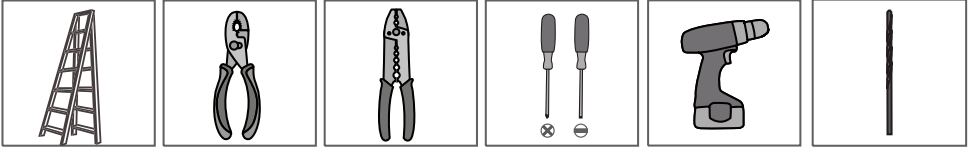
To reduce the risk of personal injury, use only the two steel screws and washers provided with the outlet box for mounting to the outlet box. Most outlet boxes commonly used for the support of lighting fixtures are not acceptable for fan support and need to be replaced, consult a qualified electrician if in doubt.

To reduce the risk of fire, electric shock or person injury, mount fan to outlet box marked "acceptable for fan support".

To reduce the risk of personal injury, do not bend the blade brackets (also referred to as flanges) during assembly or after installation. Do not insert objects in the path of the blades.

# Installation Preparation

## Tools You Need



Ladder

Pliers

Wire Strippers

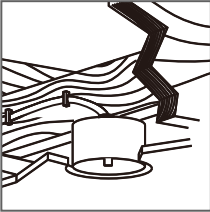
Screwdrivers

Power Drill (optional)

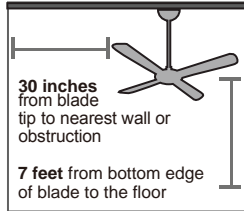
Drill Bit (optional)

If mounting to a support structure, you will also need the optional tools.

## What to Expect with Your Installation



Must be able to secure the fan to building structure or fan-rated outlet box



Assess location



Check box to see fan weight



Angled Ceiling not supported

# Installation Step 1 (Assemble the Fan)

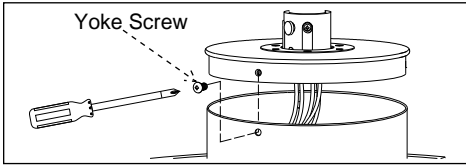


Fig. 1

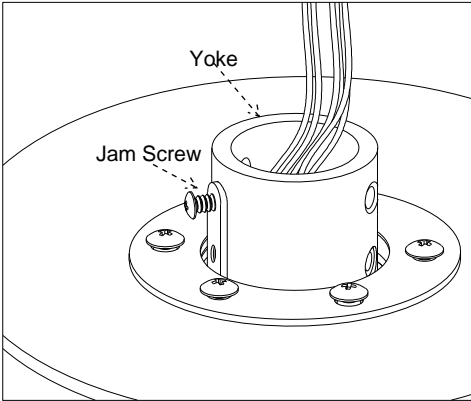


Fig. 2

## 1. Attach the Yoke Assemble

Step 1. Take out yoke assembly (F).

Step 2. As shown in Fig. 1, thread the fan's power cord through the yoke assembly (F), then align the holes on the fan frame (G) with the yoke assembly (F), and secure with yoke screws (CC).

## 2. Attach the Downrod

Step 1. As shown in Fig. 2, loosen jam screw in yoke until it is flush with the inside surface.

Step 2. As shown in Fig. 3, remove the clevis pin & 'R' pin from the downrod (B).

Step 3. As shown in Fig. 4, assemble the downrod (B) and other components in the same manner, then thread the fan's power cord through the downrod (B) and insert the downrod (B) into the yoke.

Step 4. Align the holes in the downrod (B) and yoke, reinsert the clevis pin & 'R' pin into the downrod (B), and tighten the jam screw.

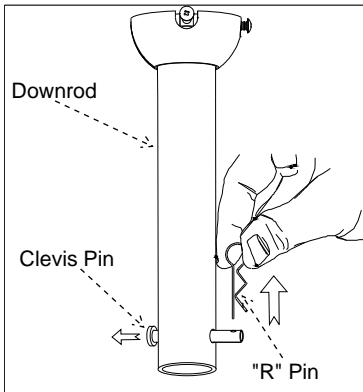


Fig. 3

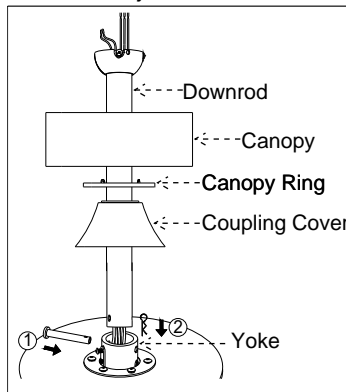


Fig. 4

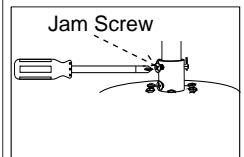


Fig. 5

## Installation Step 2 (Mount the Bracket)

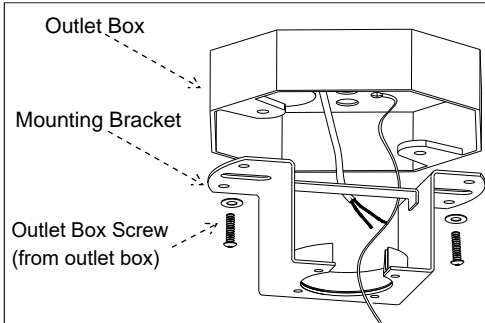


Fig. 6

Step 1. As shown in Fig. 6, use the outlet box screws from the outlet box or the ones provided in the accessory pack to secure the mounting bracket to the outlet box.

Step 2. As shown in Fig. 7, hang the ball joint and the fan onto the bracket, make sure the guide pin of the bracket is fitted into slot of ball joint.

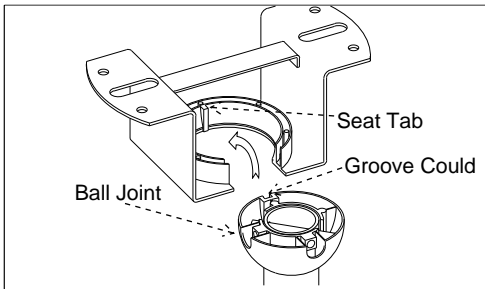


Fig. 7

## Installation Step 3 (Connect the Wires)

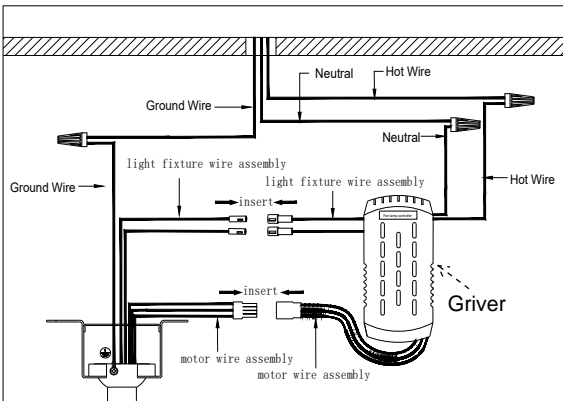


Fig. 8

Step 1. Connect the wires on the fan and the driver (J).

Step 2. Connect the wires from the fixture to the house supply wires with wire nuts (FF), ground wire (green, green/yellow, or bare copper) to ground wire, neutral wire (white) to neutral wire, and hot wire (black) to hot wire.

Wrap the connection with electrical tape  
Step 3. Spread apart the wires so that the hot wires are on one side of the outlet box and the neutral wires are on the other side.

## Installation Step 4 (Install the Canopy)

---

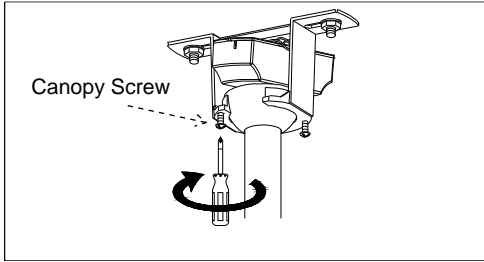


Fig. 9

Step 1. As shown in Fig. 9, loosen canopy screws from mounting bracket (A), but do not take off.

Step 2. As shown in Fig. 10, push the canopy (C) upwards so that the canopy screw passes through the hole in the canopy (C), then rotate the canopy (C) so that it is caught by the canopy screw and does not fall down.

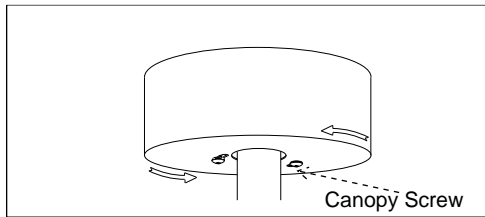


Fig. 10

Step 3. As shown in Fig. 11, tighten canopy screws to secure canopy (C).

Step 4. As shown in Fig. 12, push the canopy ring (D) upwards until it covers the canopy screw.

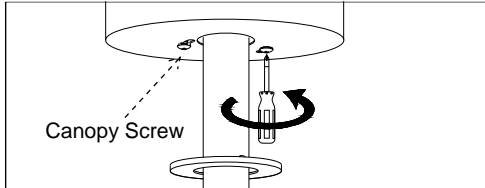


Fig. 11

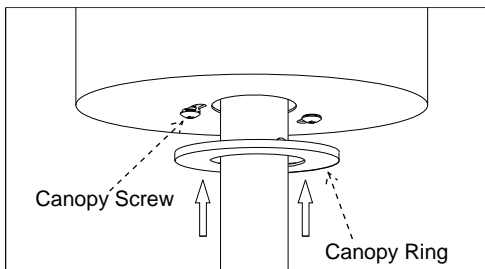


Fig. 12

## Installation Step 5 (Install the Glass)

---

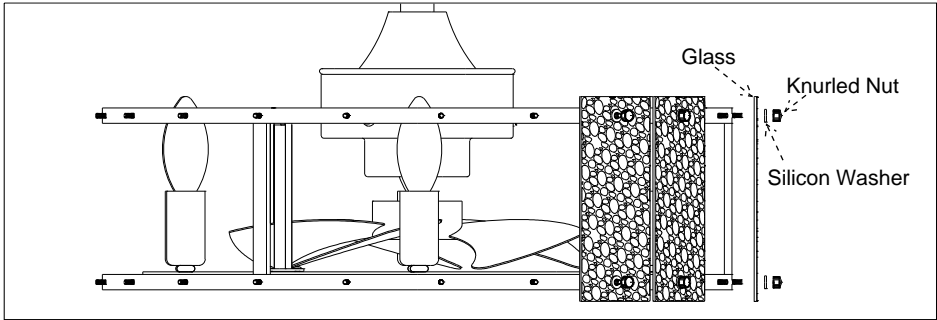


Fig. 13

Step 1. Hang the glass (H) on the screws of the fan frame (G).

Step 2. Put the silicon washer (EE) on the screws of the fan frame (G).

Step 3. Tighten the glass with a knurled nut (GG).

## Installation Step 6 (Install Light Bulbs)

---

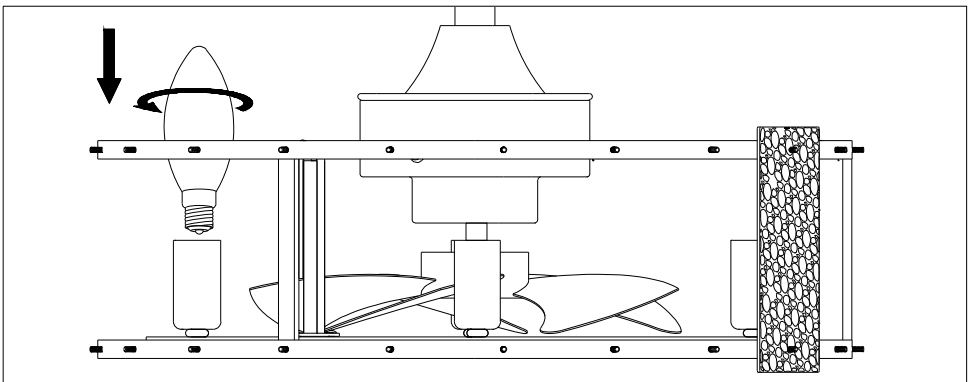
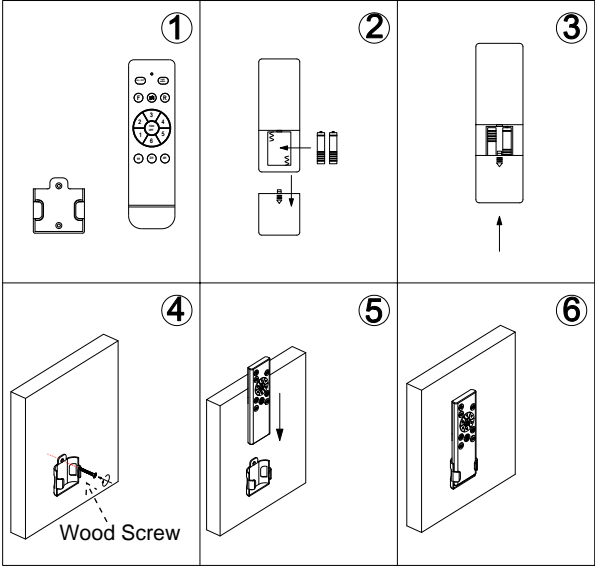


Fig. 14

As shown in Fig. 14, install light bulbs (6\*E12 bulbs need to be purchased separately).

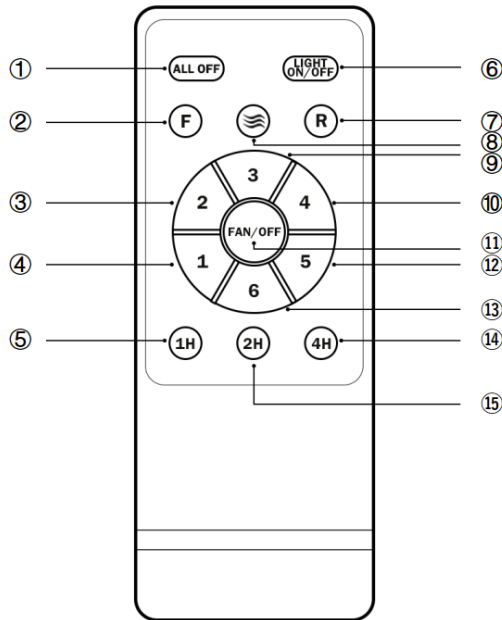
# Installation Step 7 (Install the Remote Holder)



1. Insert 2 batteries before using:  
AAA 1.5V battery x 2pcs  
(not included)

2. Install the remote holder onto the wall with wood screws (BB).

# Remote Control Instructions



## NOTE:

**Please insert 2 batteries before using.  
AAA 1.5V battery x 2pcs (not included)**

- ①: Turn off the fan and lights.
- ②⑦: "F" refers forward fan direction."R" refers reverse the fan.
- ③④⑨⑩⑫⑬: 1/2/3/4/5/6 for fan speeds.
- ⑤⑭⑮: 1H/2H/4H for timing the fan.
- ⑥: Turn on/off the lights.
- ⑧: Natural wind of the fan, fan speed will change automatically when use this function.
- ⑪: Turn off the fan.

**REMOTE SIGNAL PAIRING:** If the remote control loses signal with the fan, turn off the power from the wall switch, then turn it back on, immediately press button ① for around 3 seconds. After the fixture beeps or flashes, the reconnection is complete.

# Trouble Shooting

---

## 1. Fan does not work

- Make sure the fixture is connected to an ON/OFF wall switch, not a dimmer switch.
- Check the remote control battery (not included in this package).
- Check the circuit breaker to ensure the power is on.
- Turn off power from the circuit breaker, then loosen the canopy and check all the connections according to the wiring diagram.

## 2. Lights do not light up / flicker / noisy operation

- Make sure the fixture is connected to an ON/OFF wall switch, not a dimmer switch.
- Check your power and switch to make sure it's powered on.

## 3. Noisy operation

- Re-tighten all screws on the bracket.
- Check to see if any of the blades are cracked. If so, replace the blades.

## 4. Remote does not work

- Make sure the battery is installed correctly.
- Pair the remote control again (See page 9).
- Install two new batteries.

# Clean And Care

---

To clean, wipe the fixture with soft cloth. Spray from chemical cleaners can discolor the finish of the fixture. Do not use scouring pads, powders, steel wool or abrasive paper to clean this fixture.

# Ordering Parts

---

Keep this manual for future reference, and in case replacement parts are needed. Available parts can be ordered from place of purchase. Use exact wording from diagrams when ordering parts.