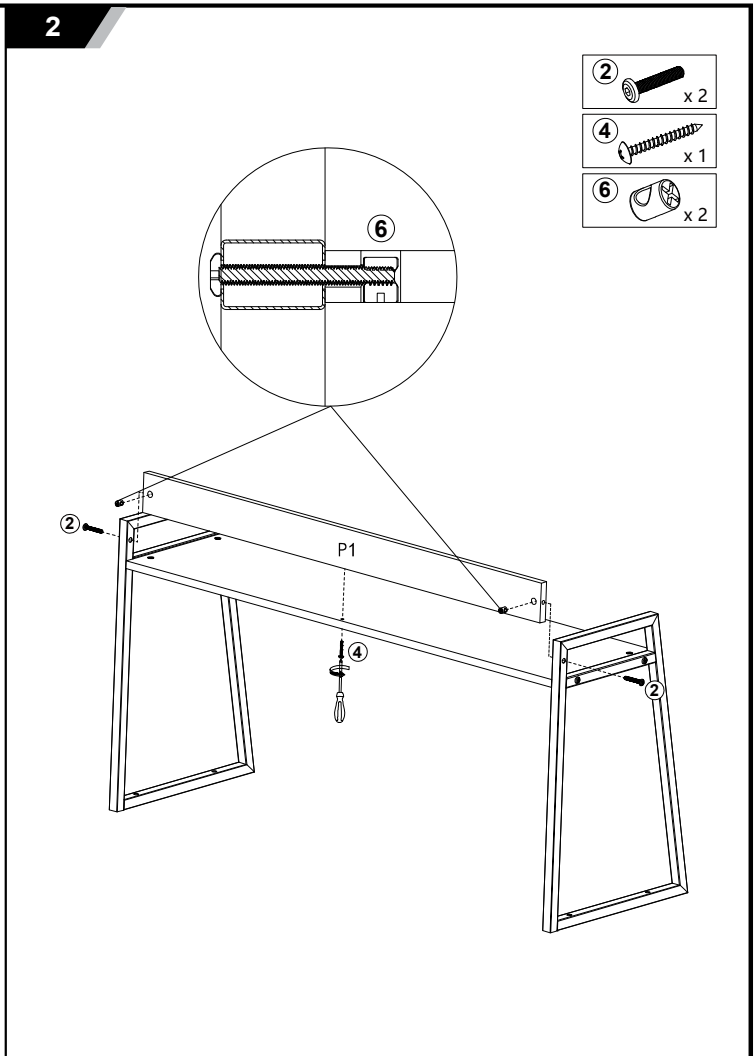
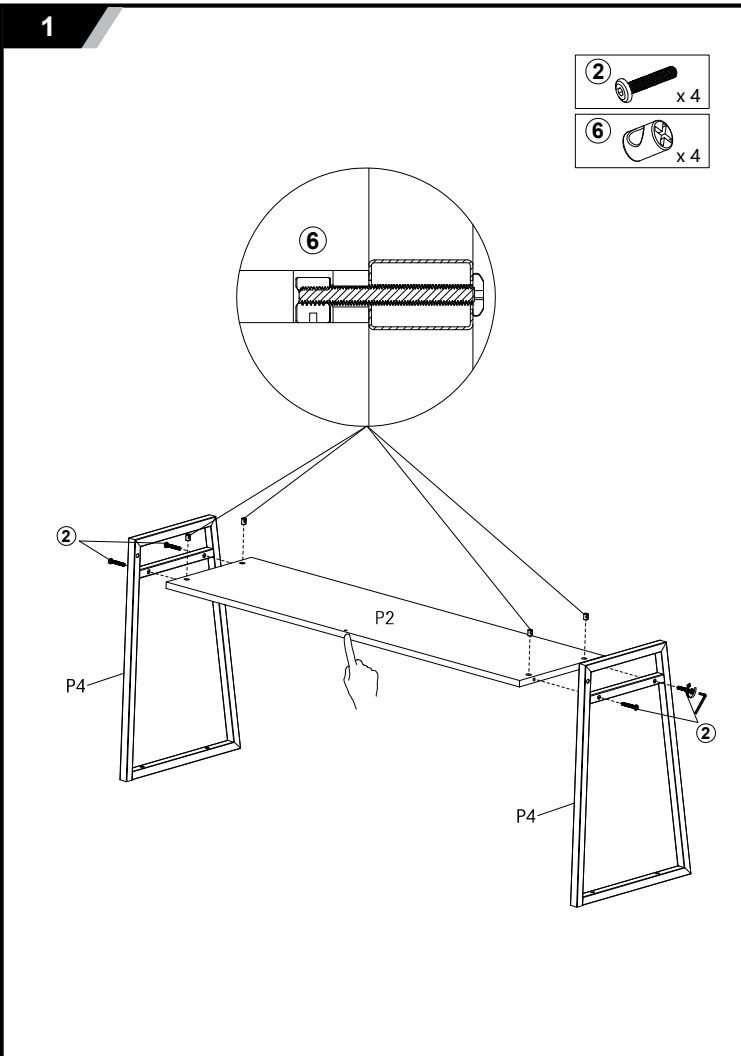


Caution: This instruction manual is intended for universal reference, slight variations in part dimensions are normal.

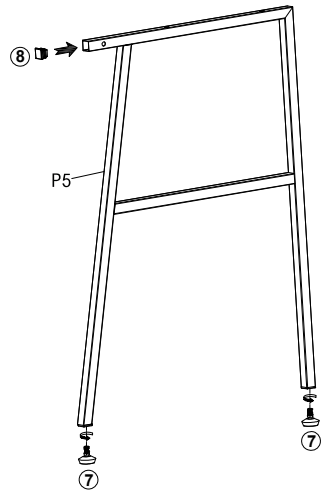
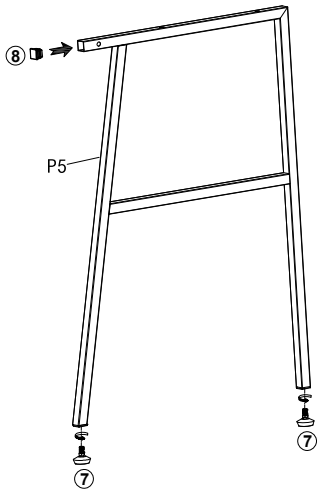
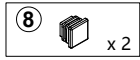
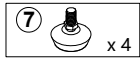
COMPONENT

①	②	③	④	⑤
				X4
⑥	⑦	⑧	⑨	⑩
X6	X4	X2	X1	X1

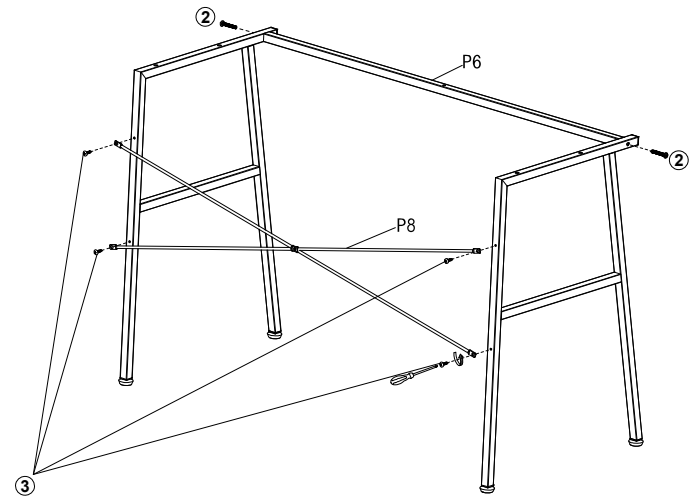
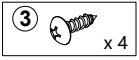
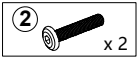
P1	P2	P3
X1	X1	X1
P4	P5	P6
X2	X2	X1
P7	P8	P9
X2	X1	X2



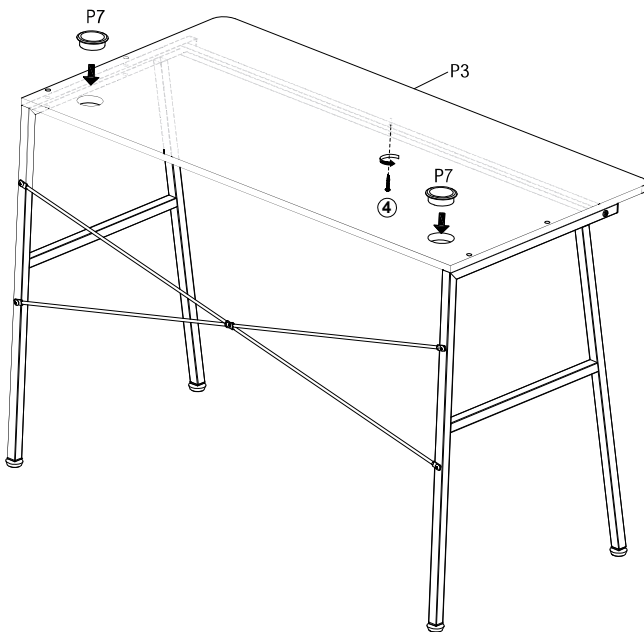
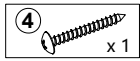
3



4



5



6

