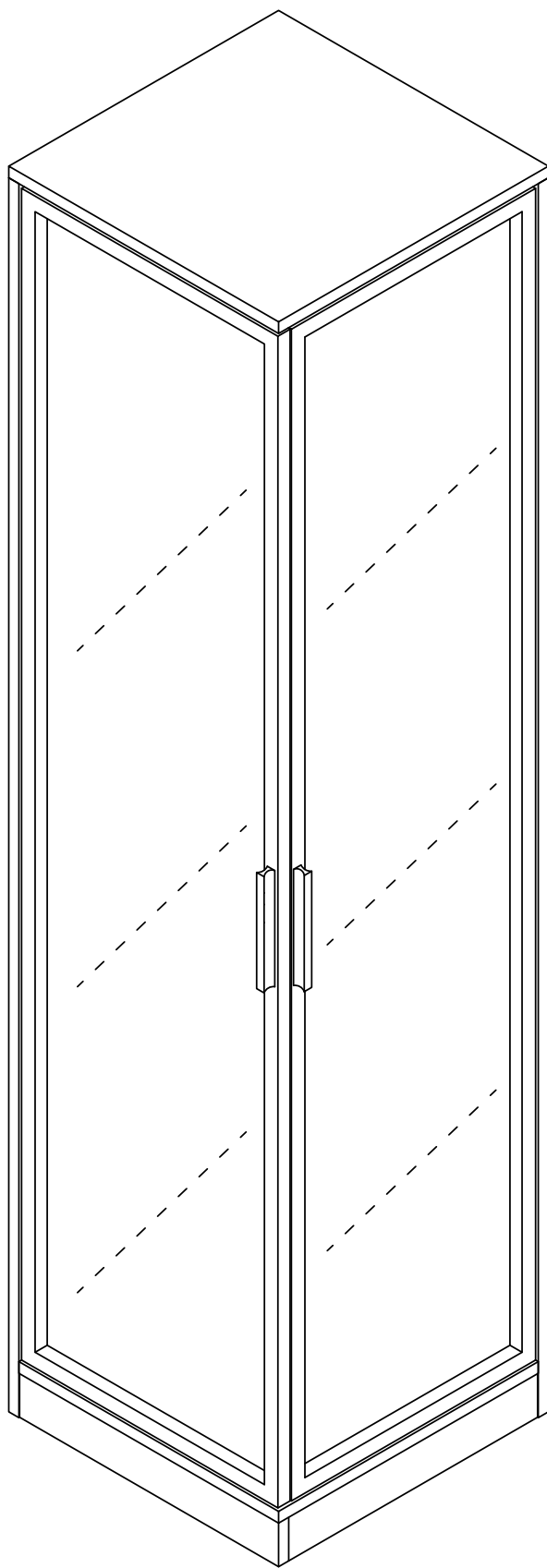
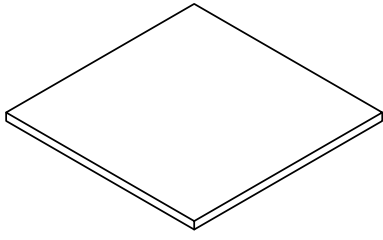
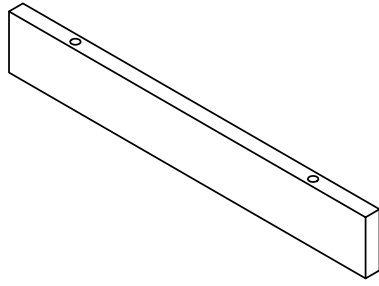


# Product Installation Instructions

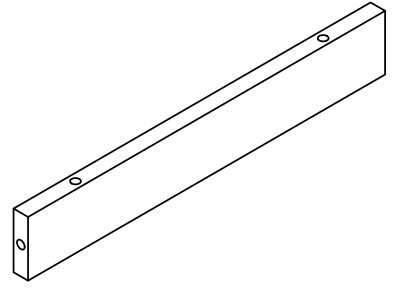




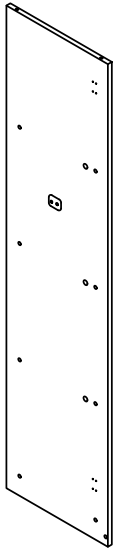
**Ax1**



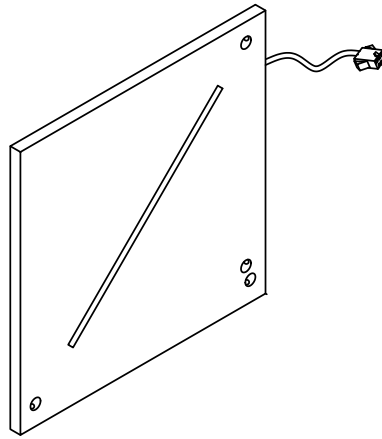
**Bx1**



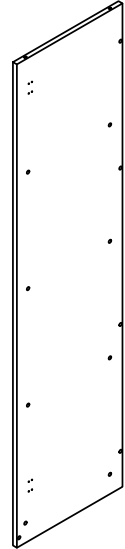
**Cx1**



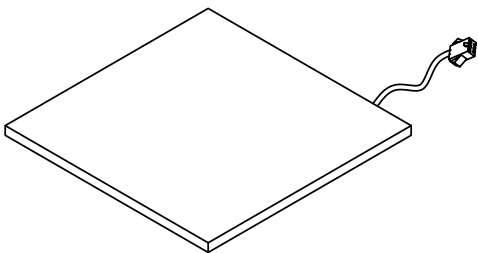
**Dx1**



**Ex3**



**Fx1**



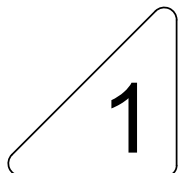
**Gx1**



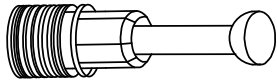


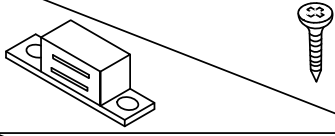
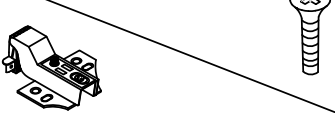
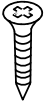
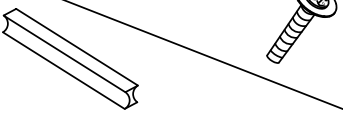
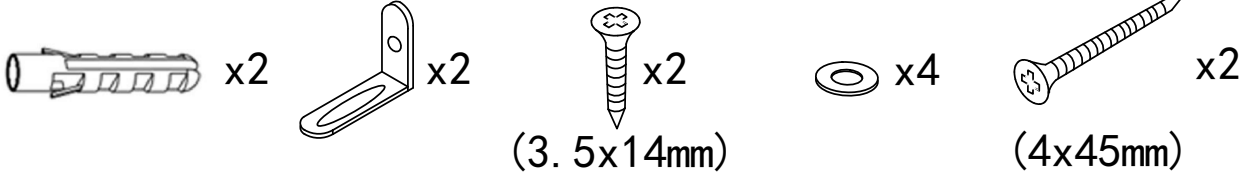

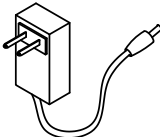
**Hx1**

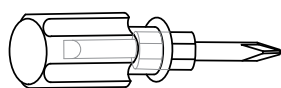


**Ix1**

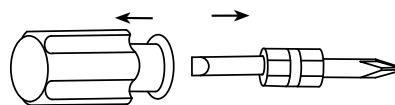


**1**

①		Three-in-one rod ( 10x38mm )	31pcs +4pcs
②		Eccentric wheel ( 12x15mm )	31pcs +4pcs
③		Non-slip pads	8pcs +4pcs
④		Magnetic Attraction & Screw (3x10mm)	4pcs +1pcs 2pcs
⑤		Hinge & Screw (4x10mm)	8pcs 4pcs
⑥		Screw (3.5x12mm)	16pcs +2pcs
⑦		Handle & screw (4x18mm)	4pcs +1pcs 2pcs
<b>Anti fall hardware</b>			
⑧			
/		Wire clamp	2pcs +1pcs
/		AC/DC Adapter (12V=2.0A)	1pcs

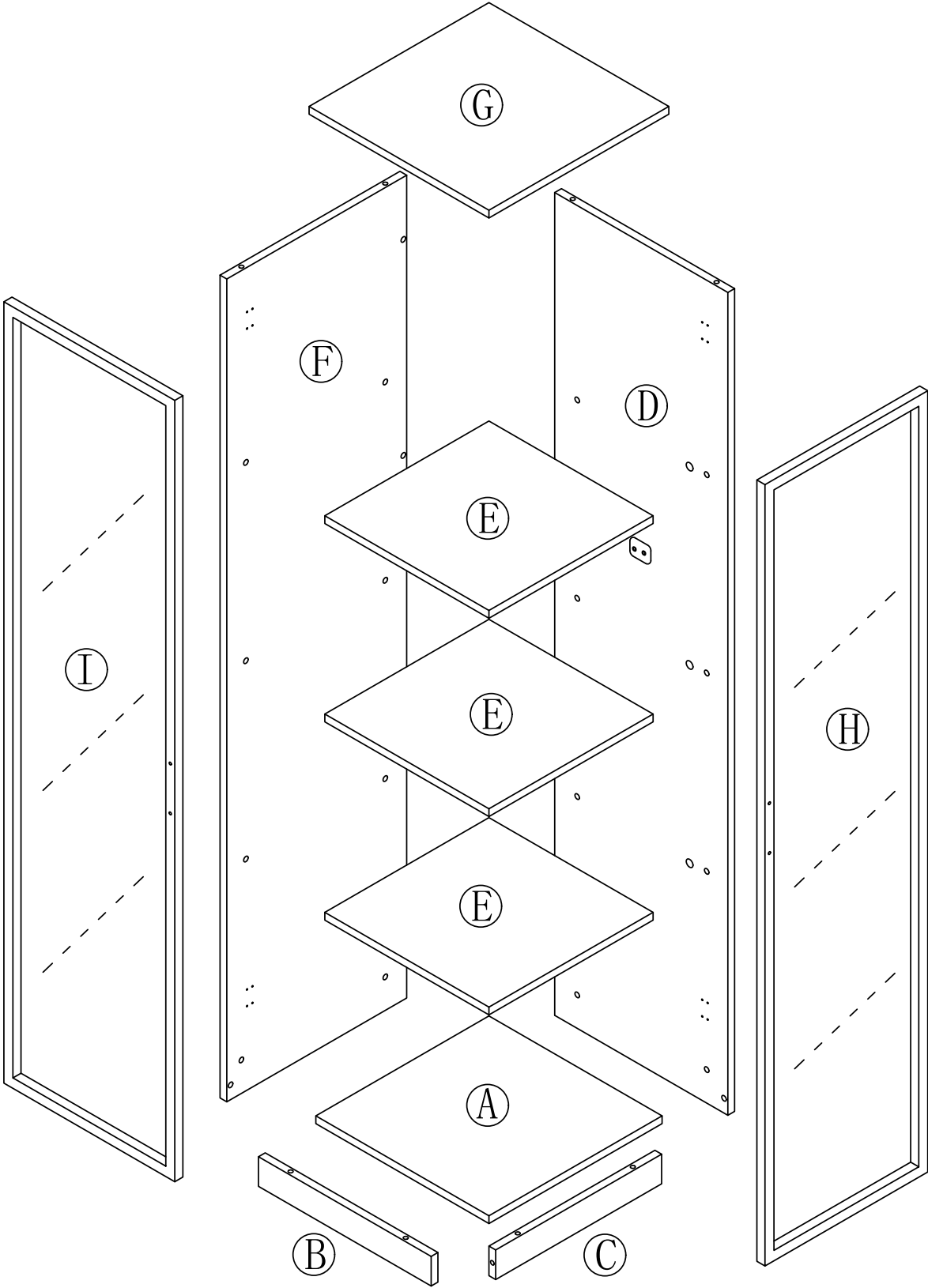


1pcs



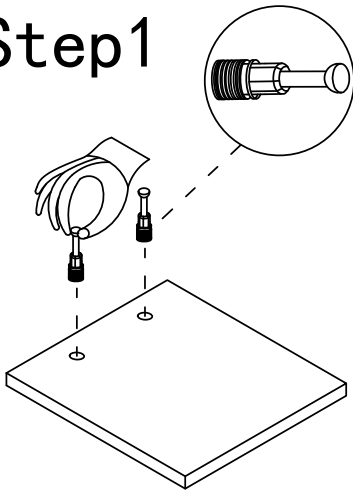
Double-head screwdriver, use as required

# Product structure decomposition

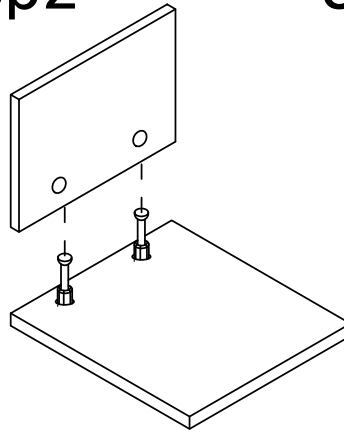


# Use parts ① and ②

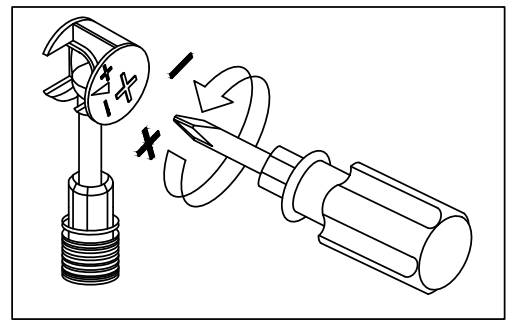
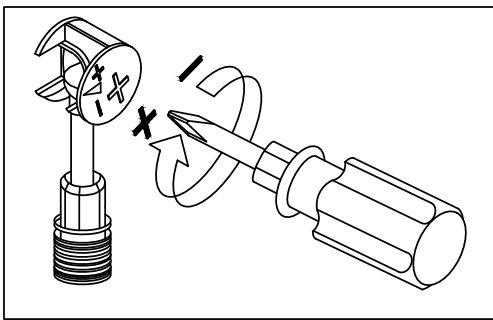
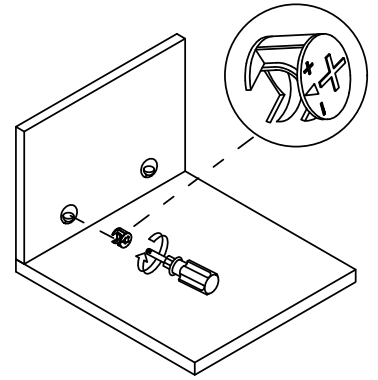
Step1



Step2



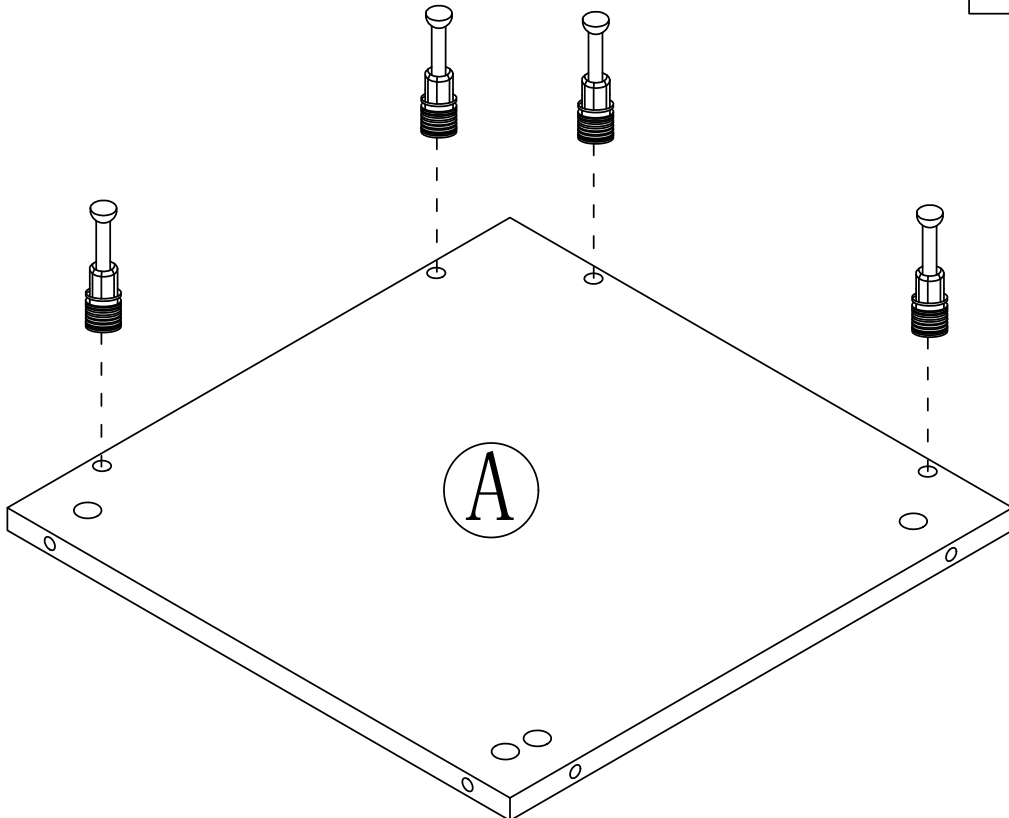
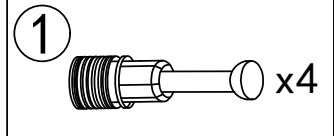
Step3



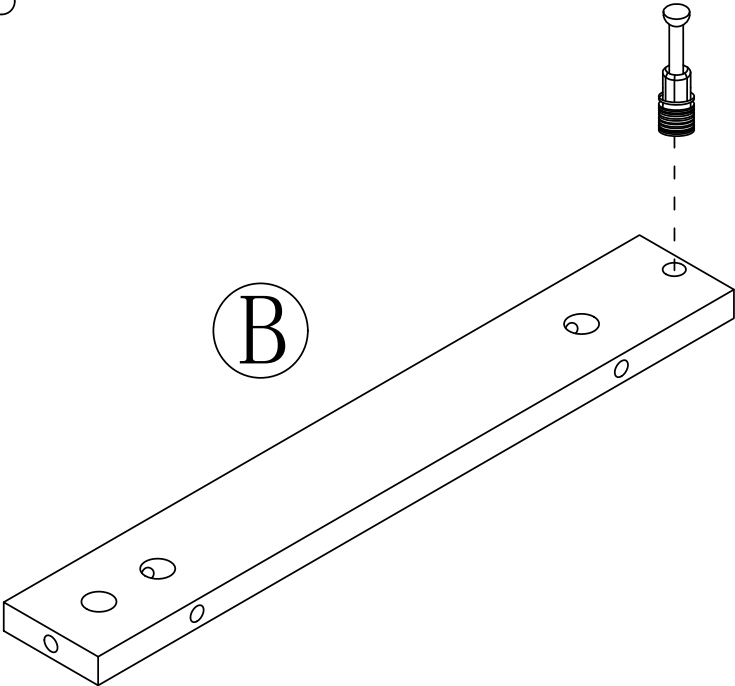
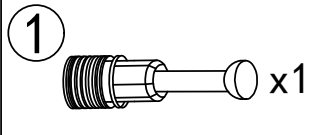
Use a screwdriver to lock in the direction of the "+" sign

Disassemble along the direction of "-" sign

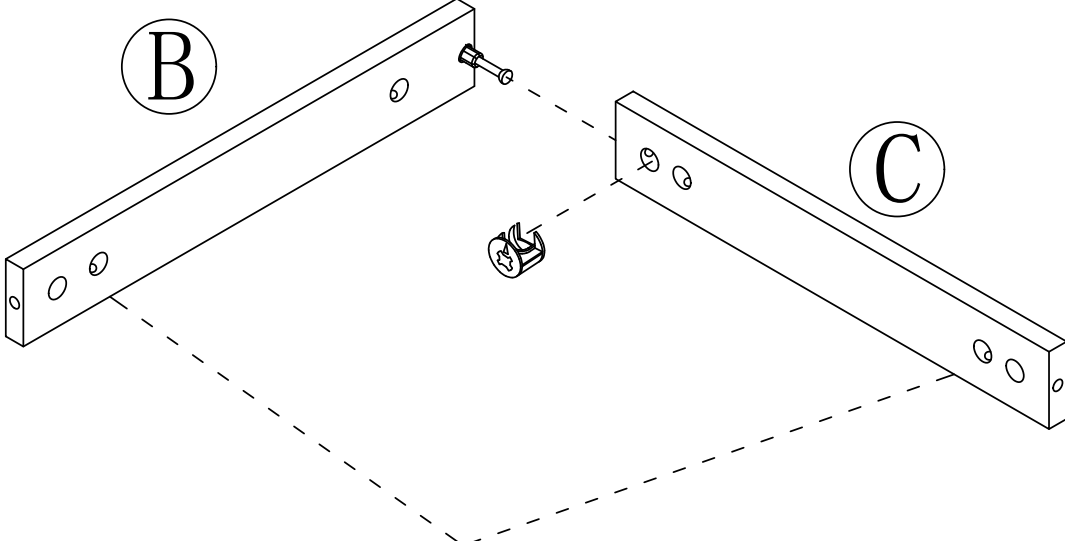
Step 1



Step 2

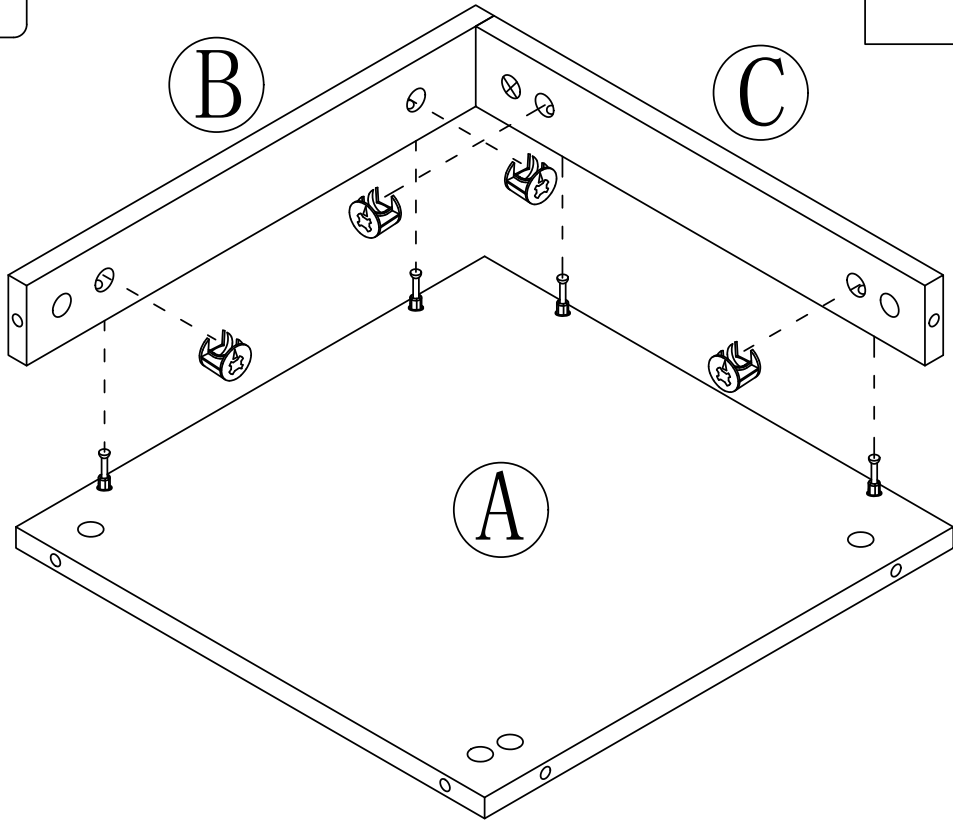
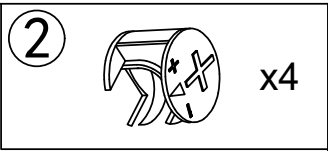


Step 3

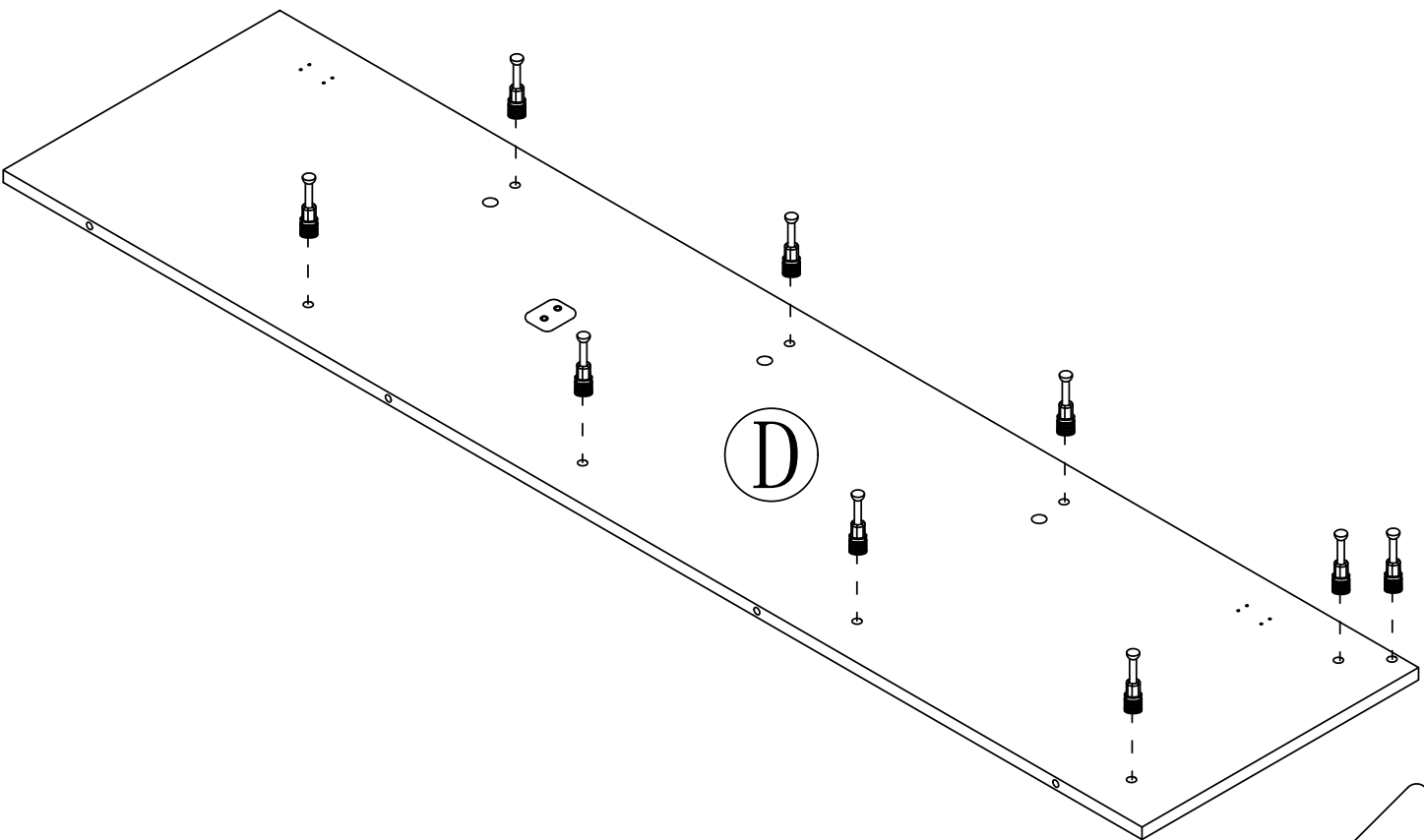
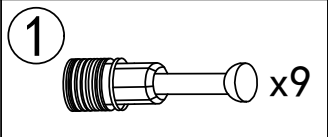


Keep the side holes on the same side when installing

Step 4



Step 5



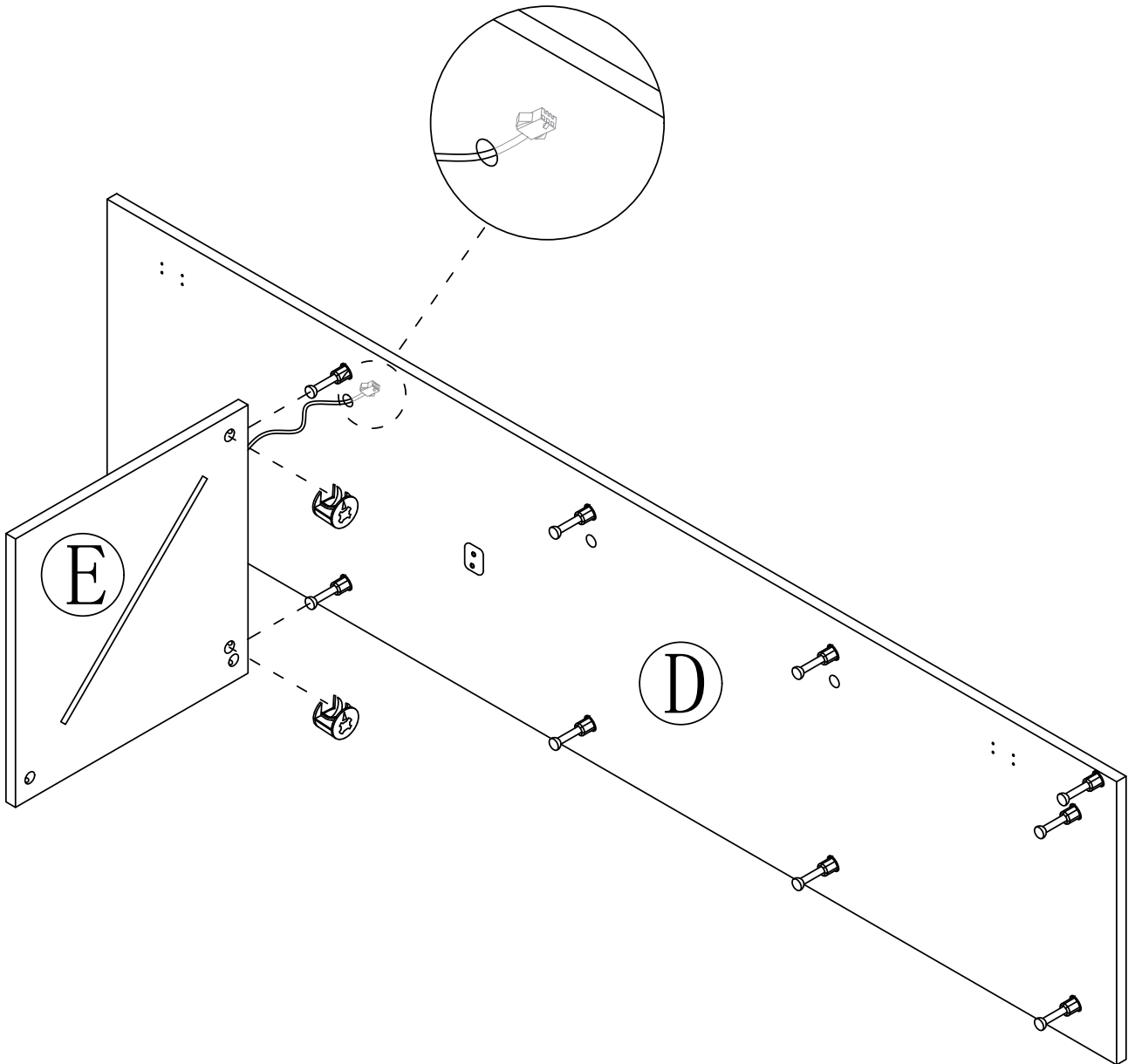
Step 6

2



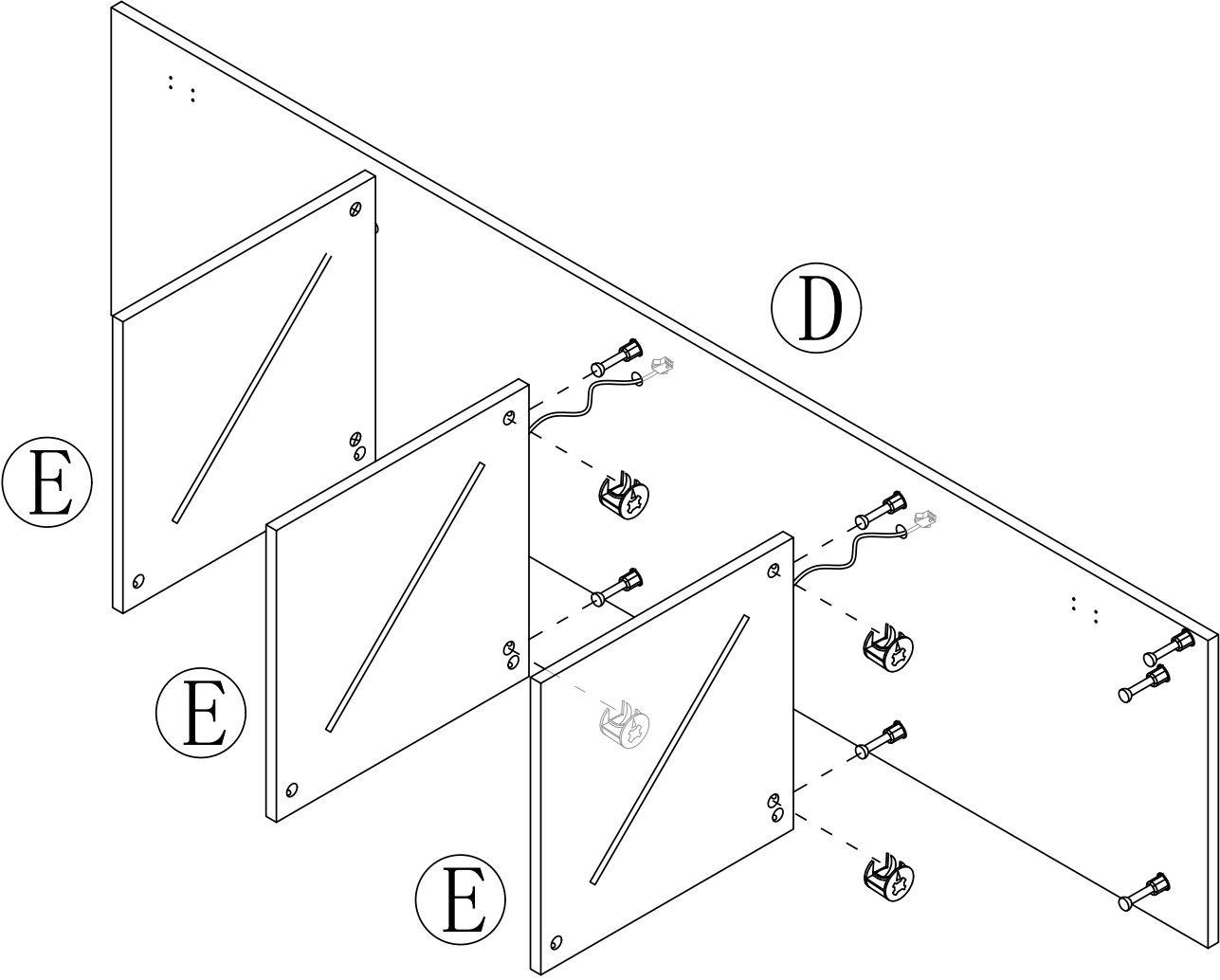
x2

First thread the wire through the "D" plate




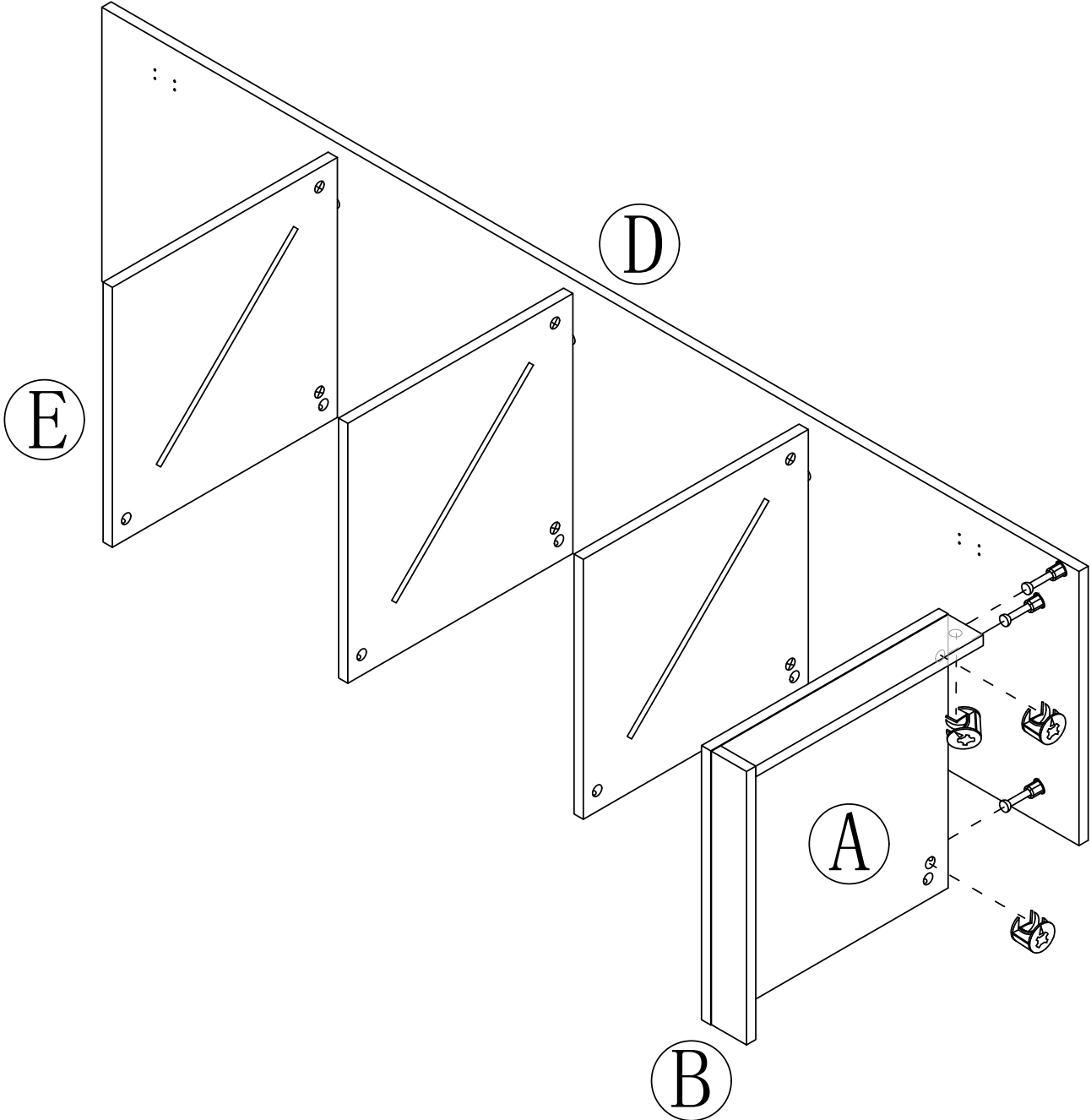
Step 7

2  x4

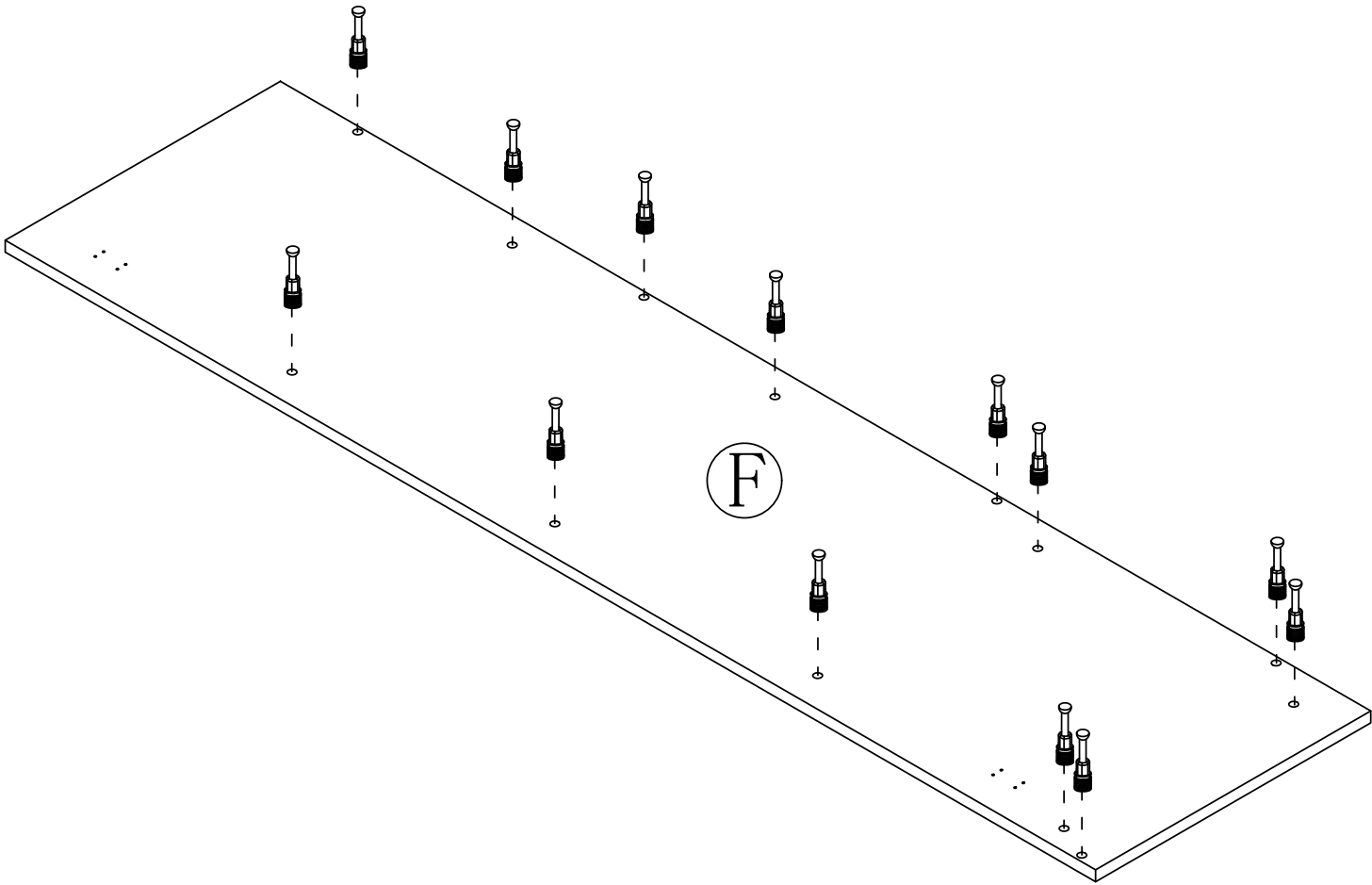
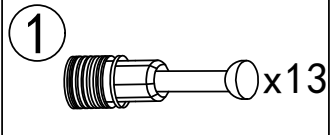


Step 8


2  x3

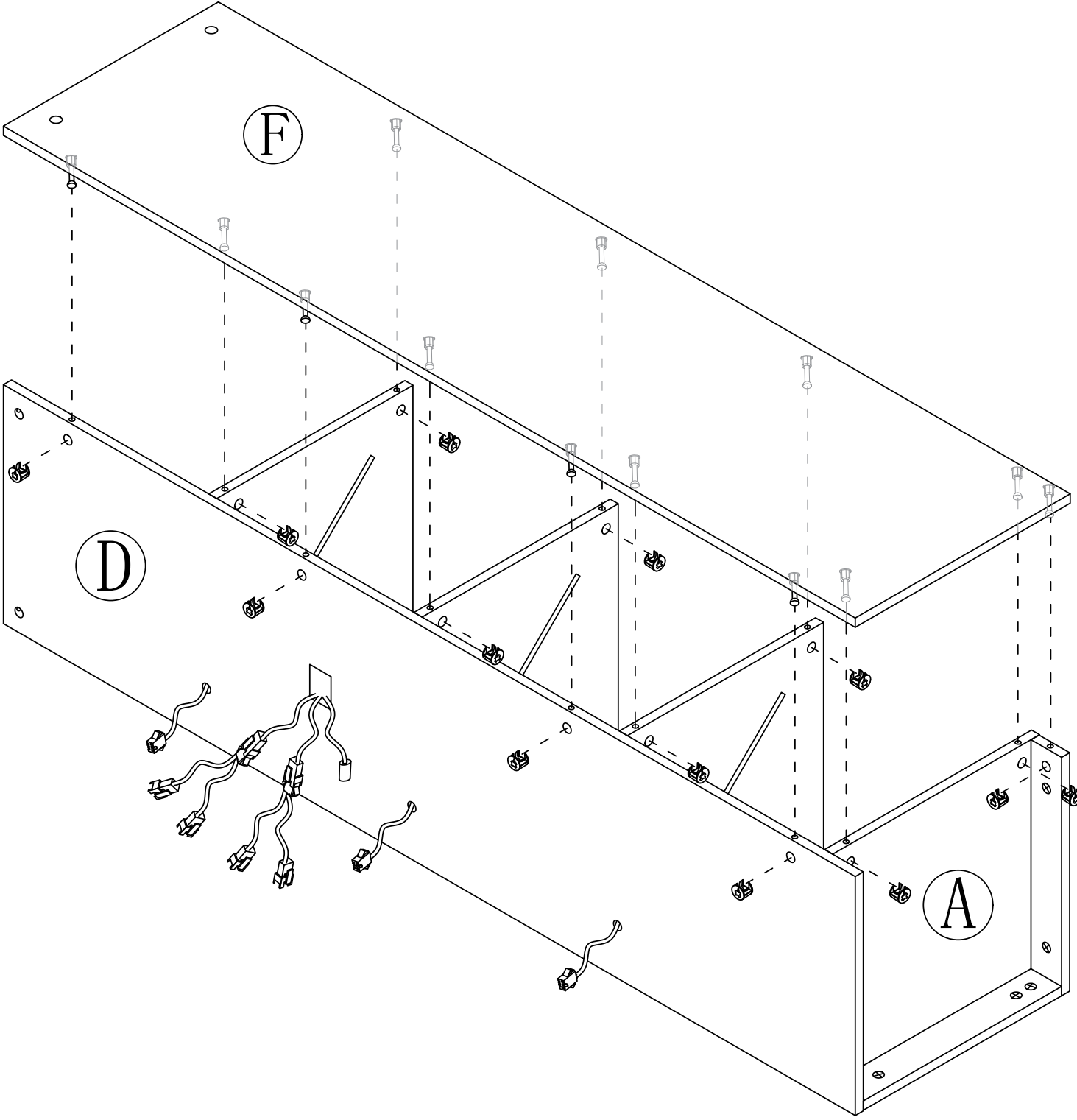


Step 9



Step 10

2  x13

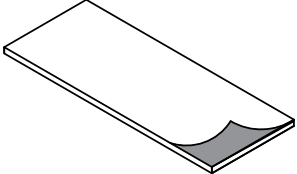
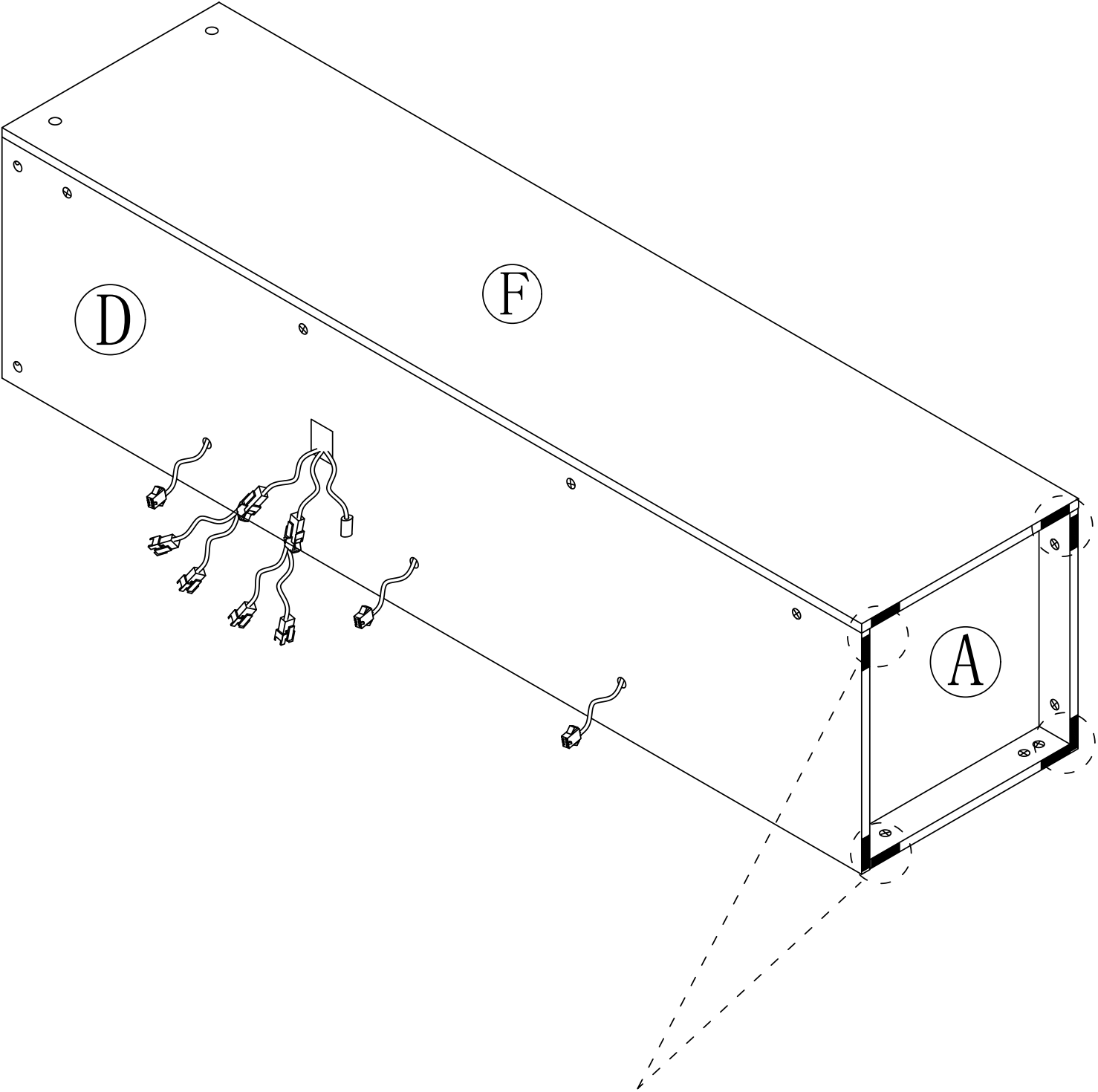


Step 11

3

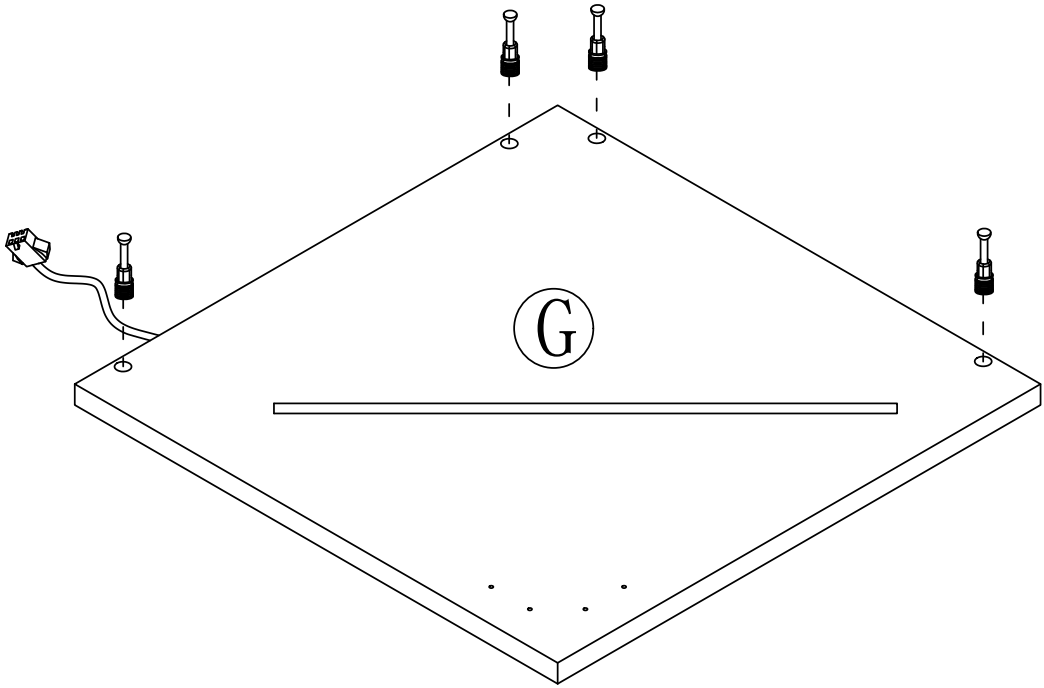
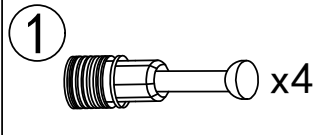


x8

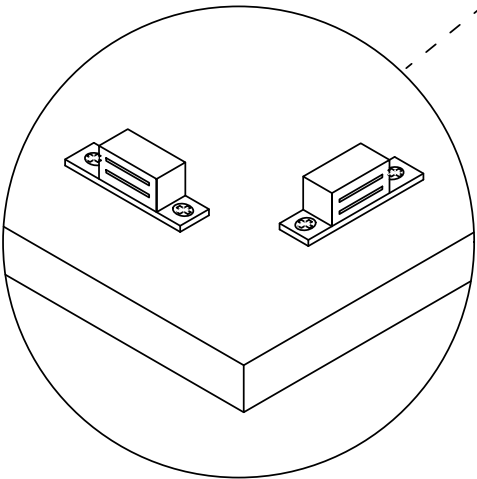
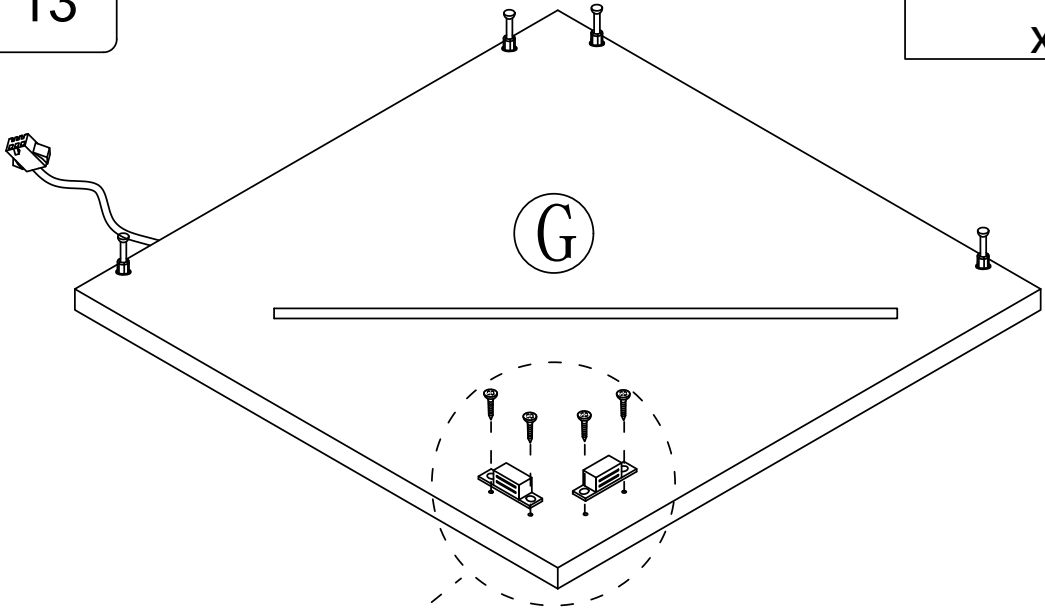
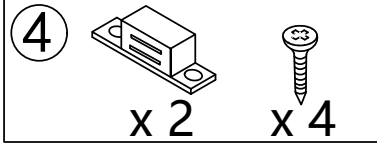


Tear off release paper and stick the black foot pad on the board


# Step 12

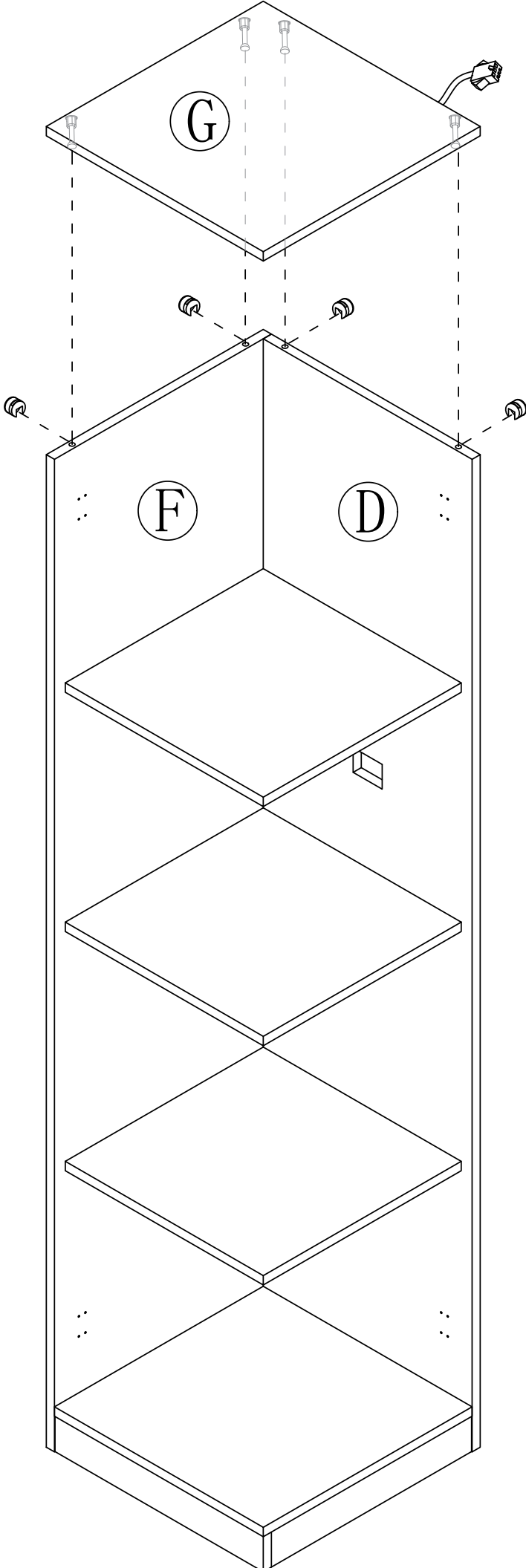


# Step 13



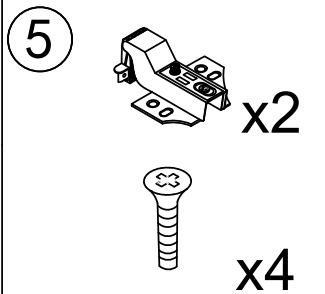
Step 14

2  x4

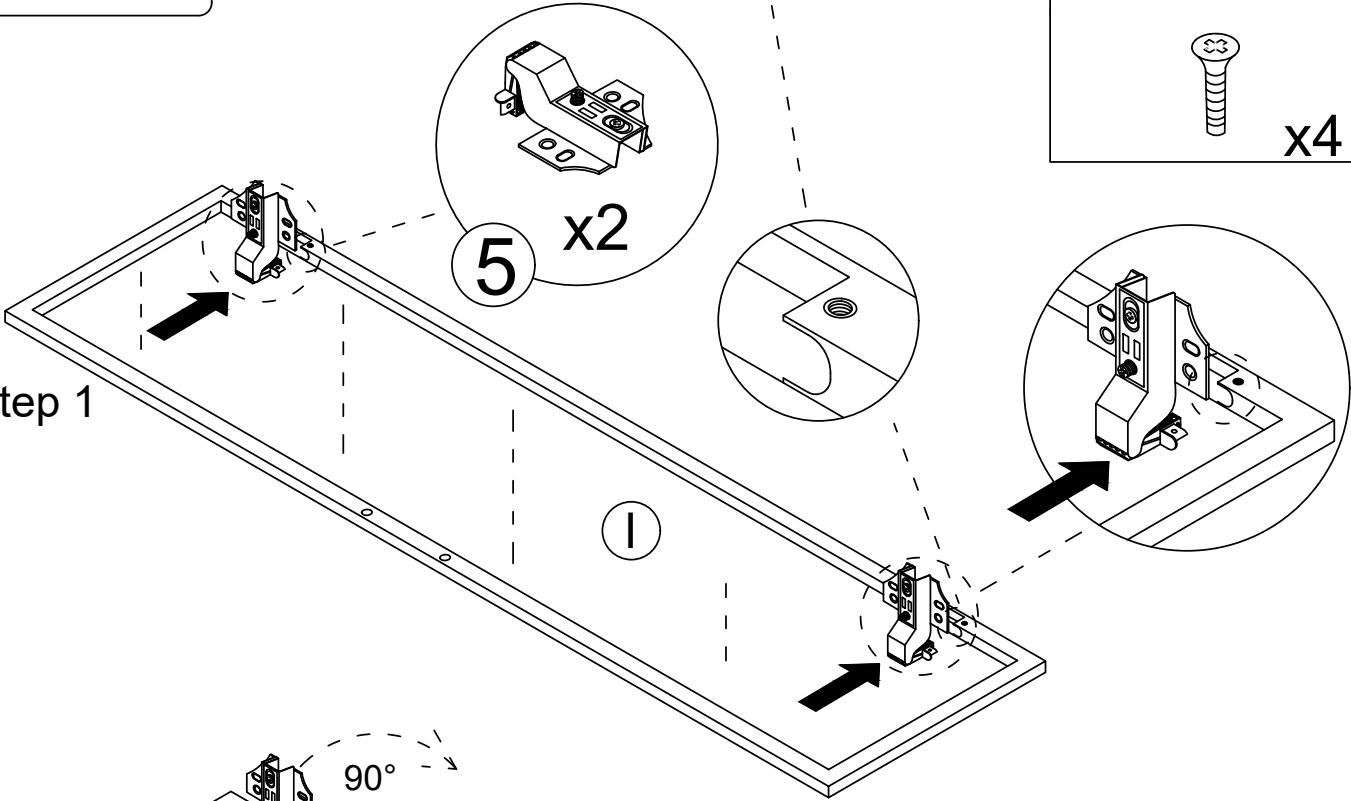


# Step 15

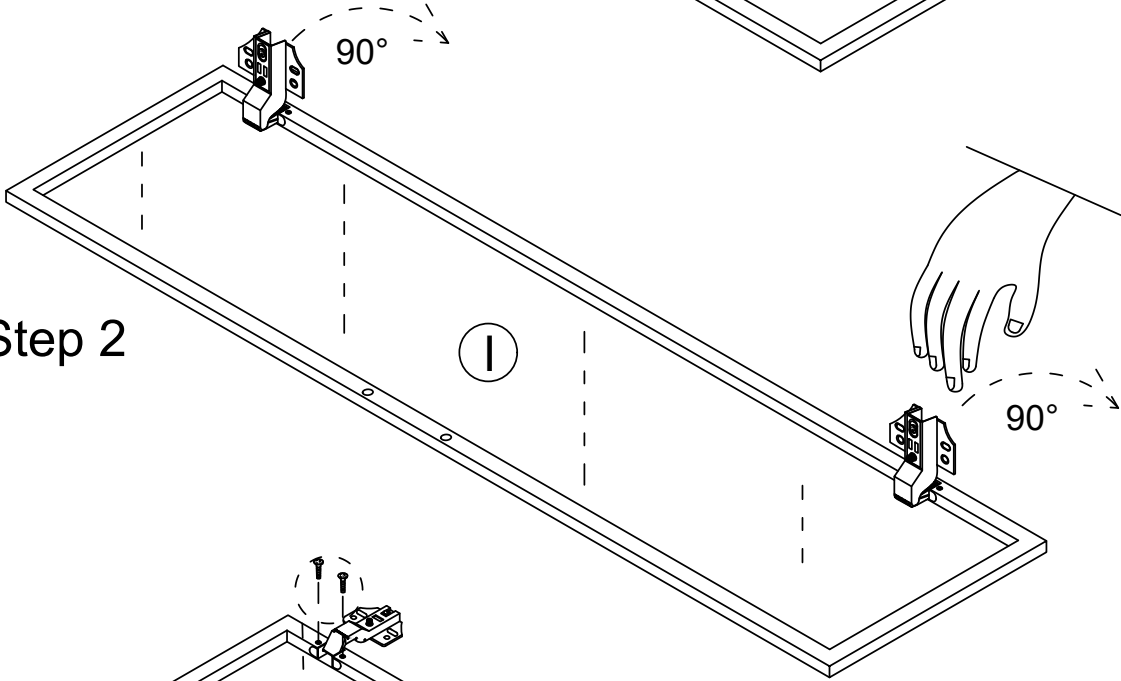
Be careful not to scratch your hand



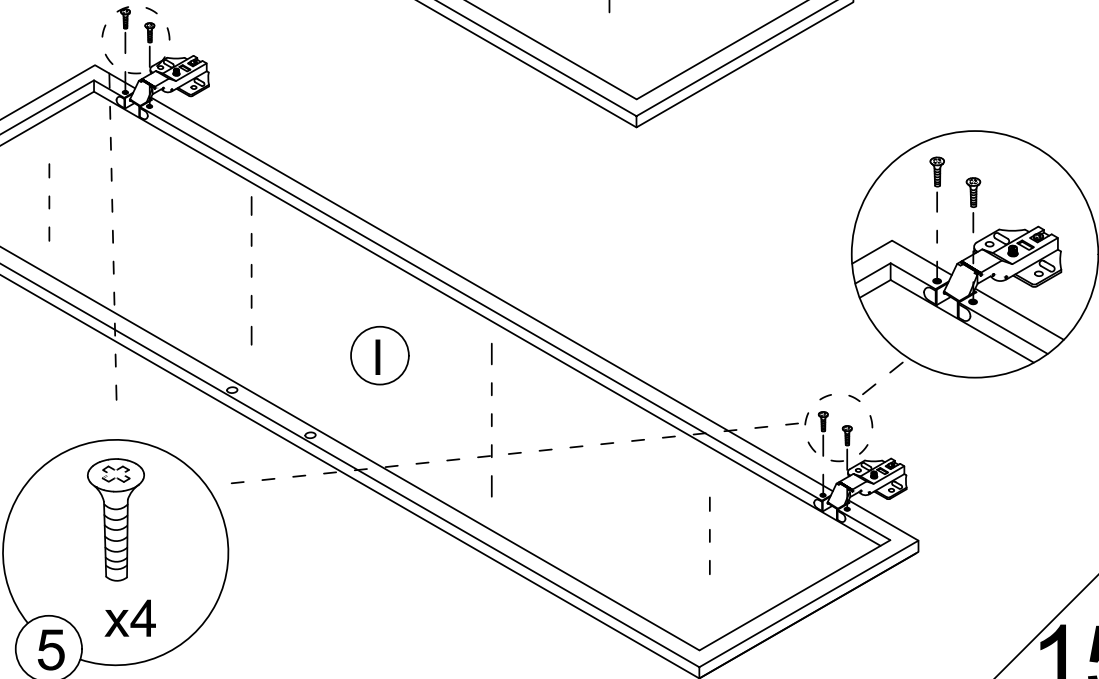
Step 1



Step 2





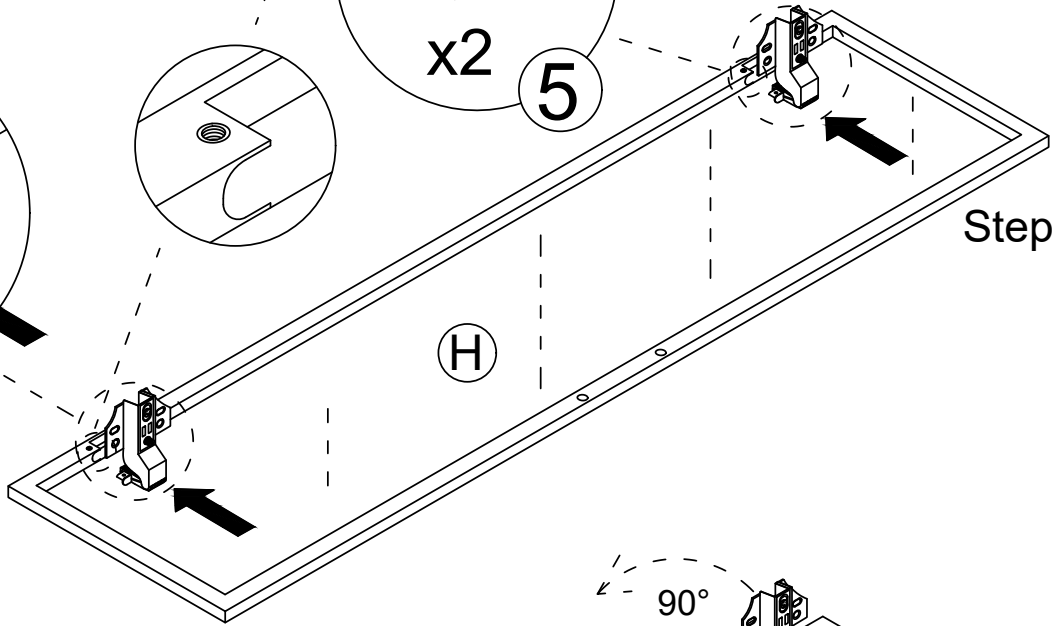
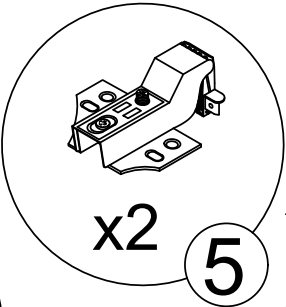
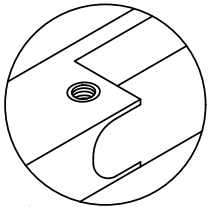
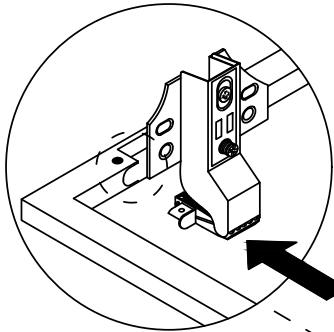
Step 3



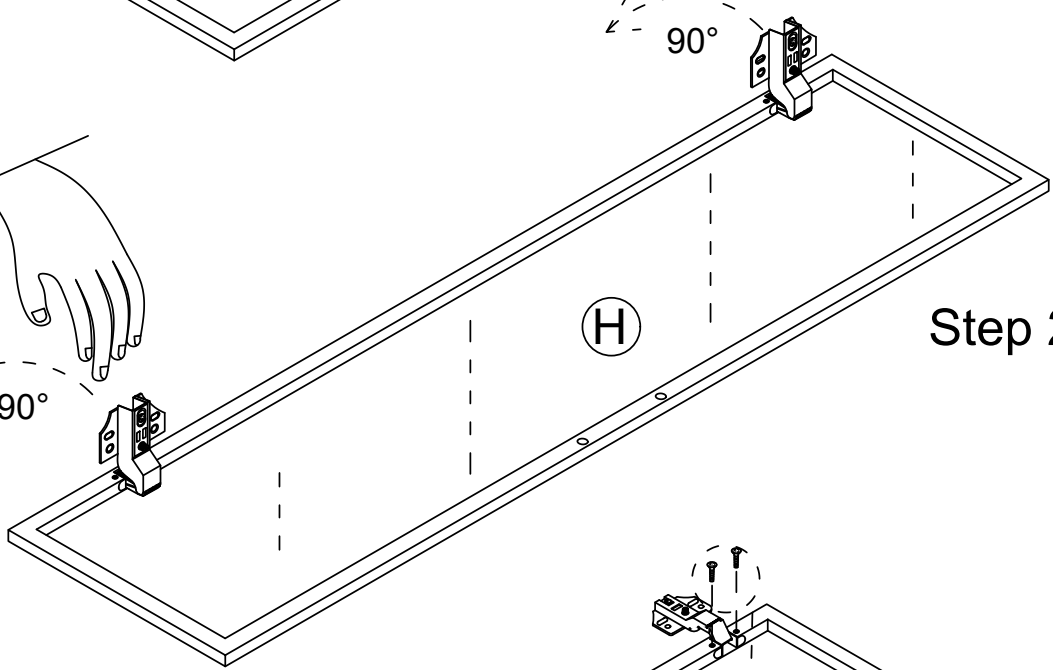
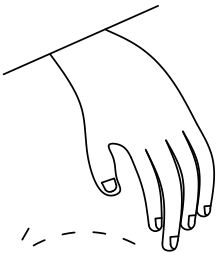
# Step 16

Be careful not to scratch your hand

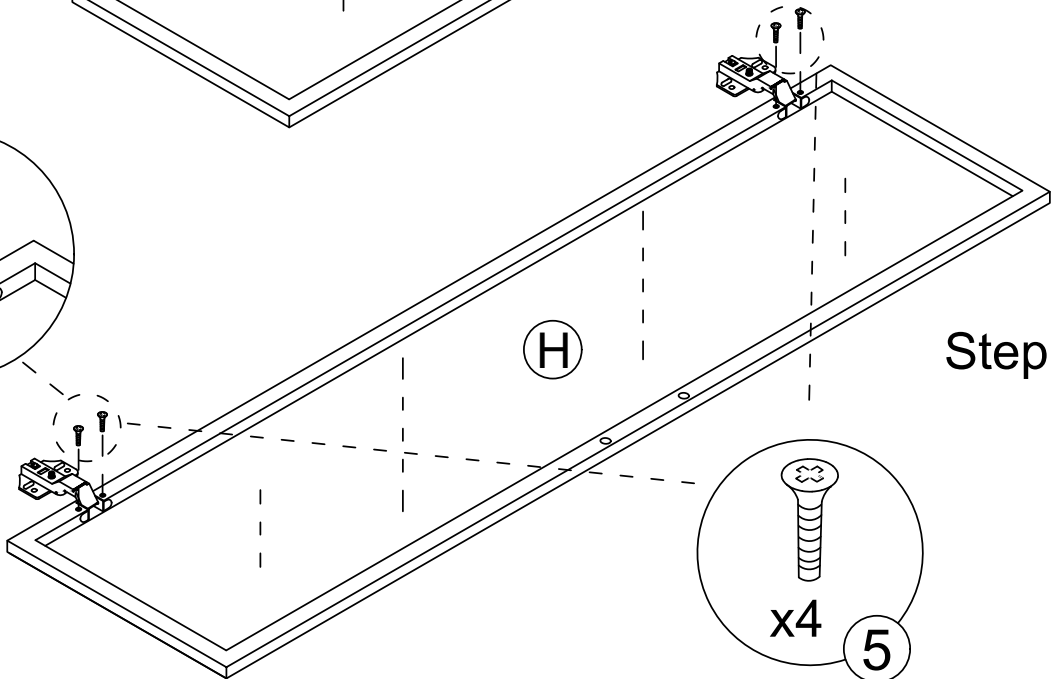
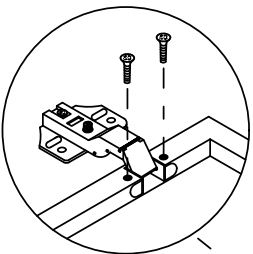
5  x2  
 x4



Step 1

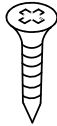


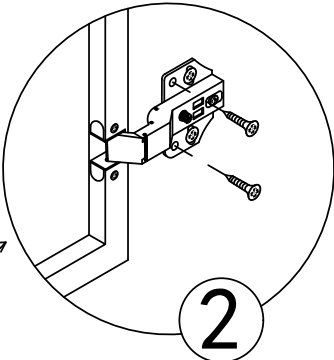
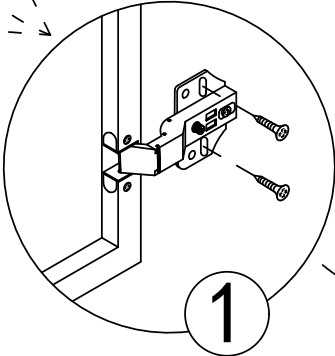
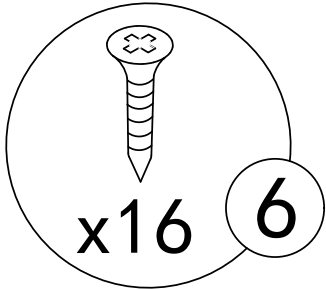
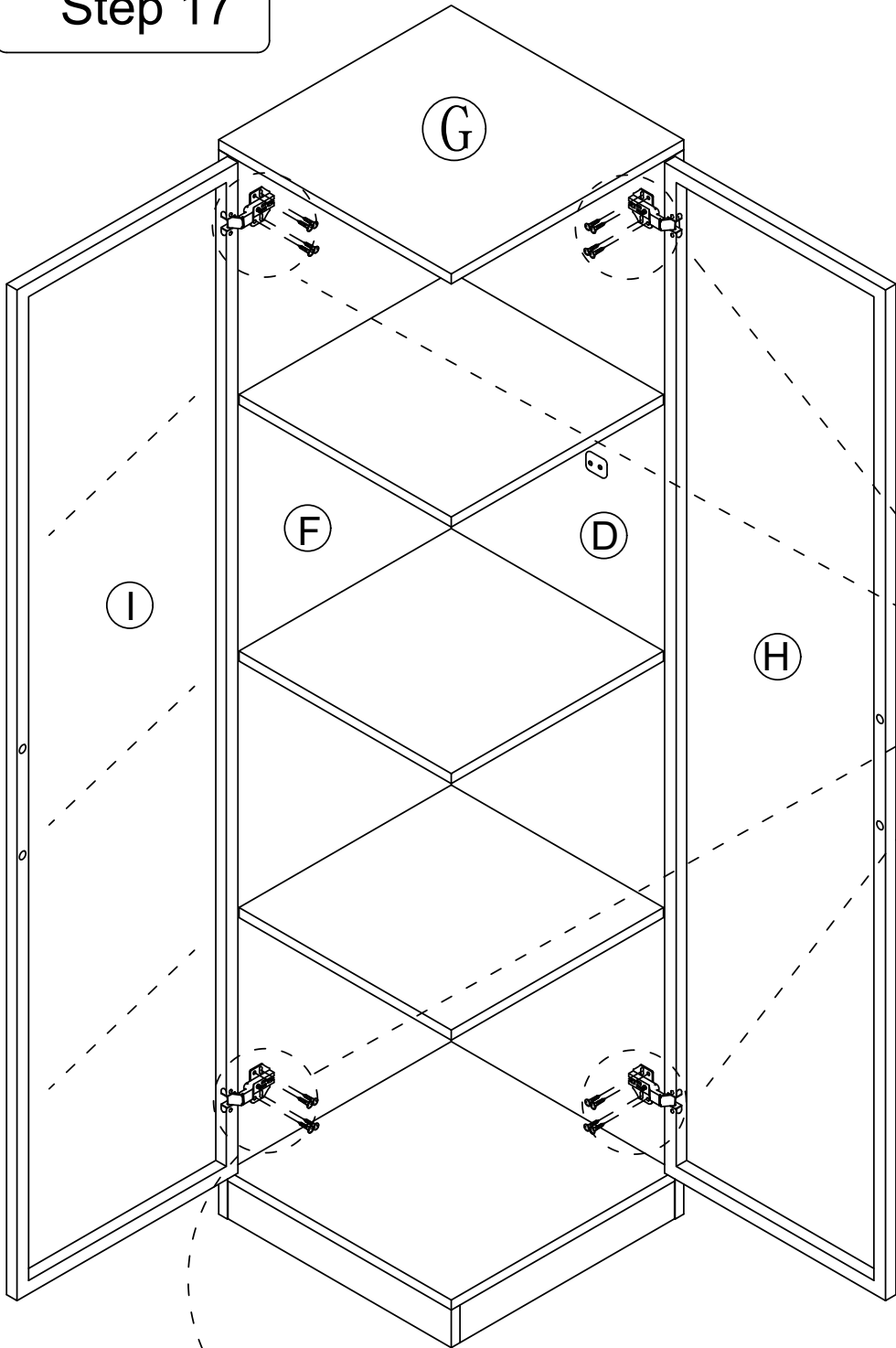
Step 2



Step 3

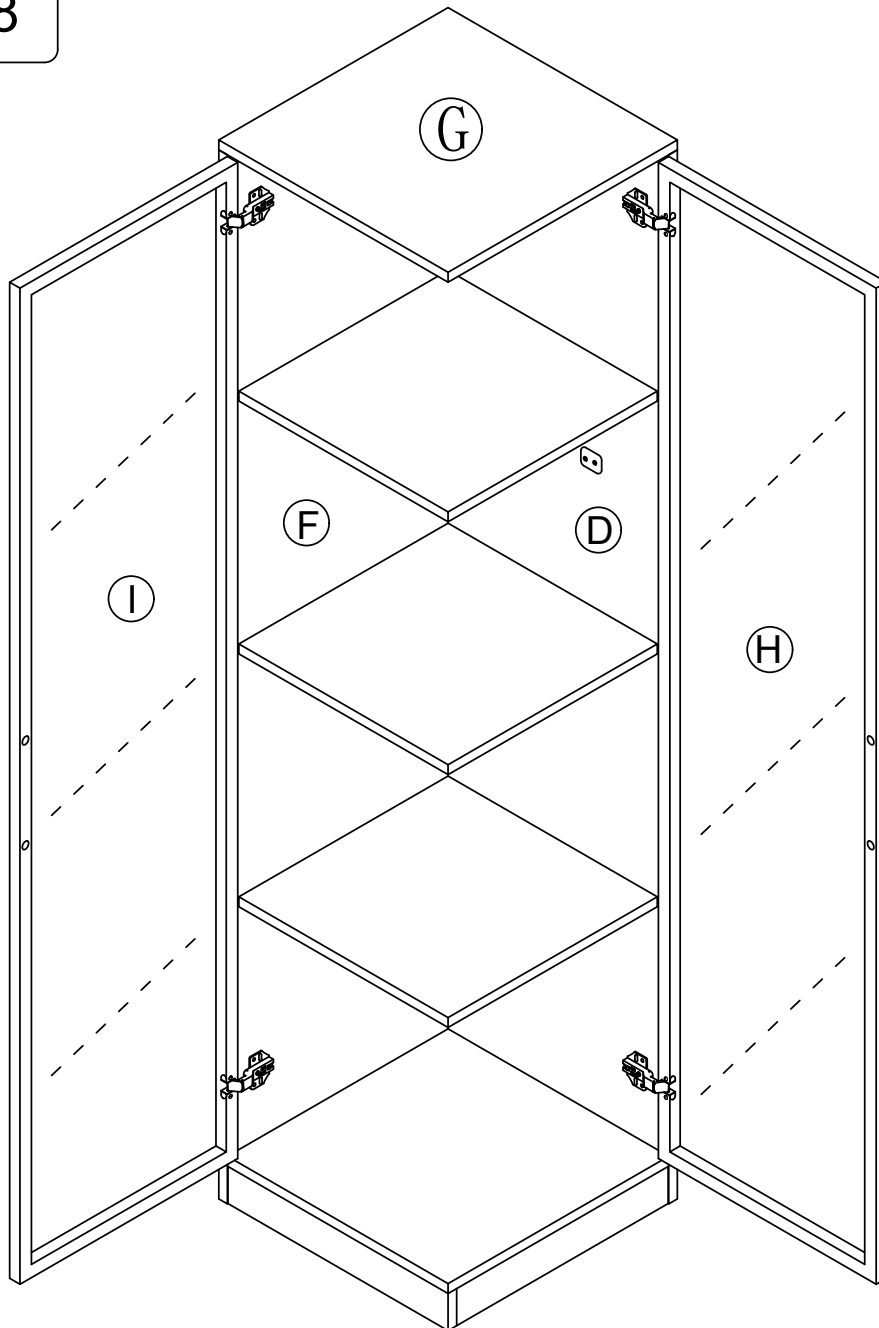
Step 17

6  x16

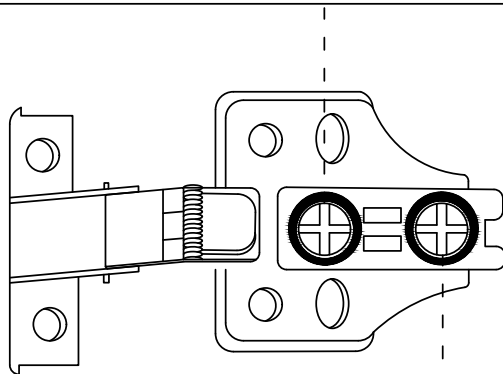


First lock the elliptical hole, then lock the fixed hole

## Step 18



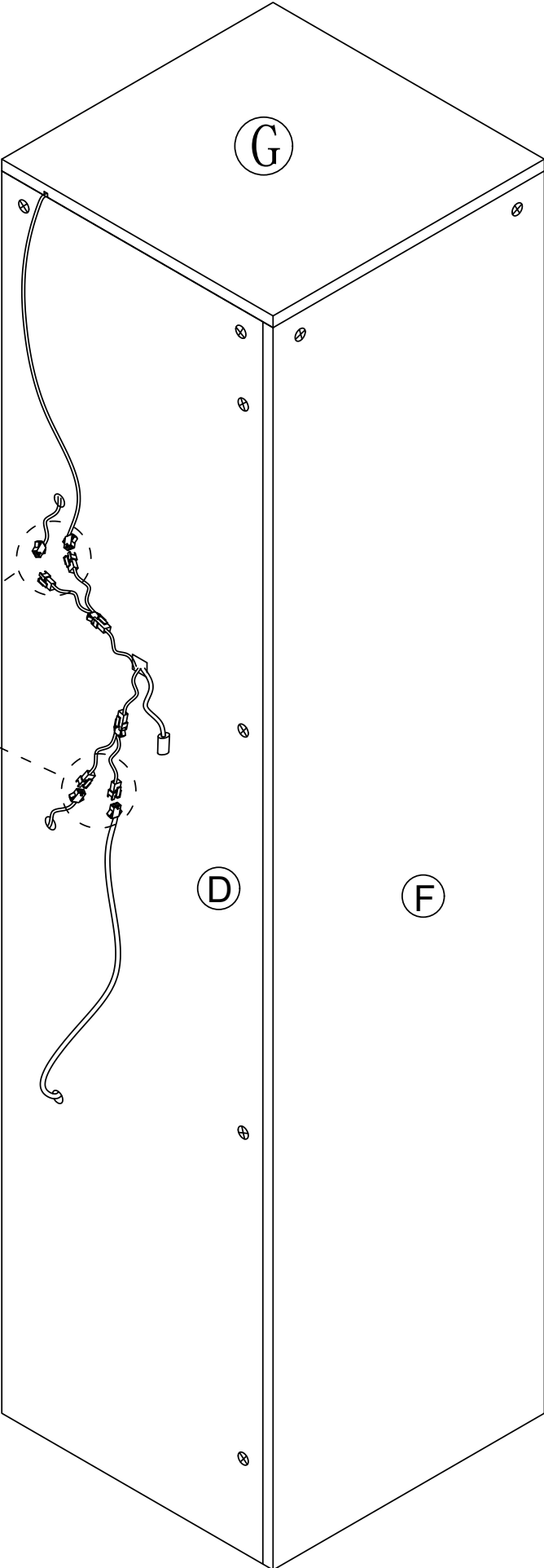
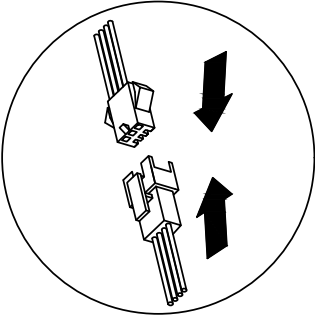
Turning this screw can effectively adjust the size of the door gap.



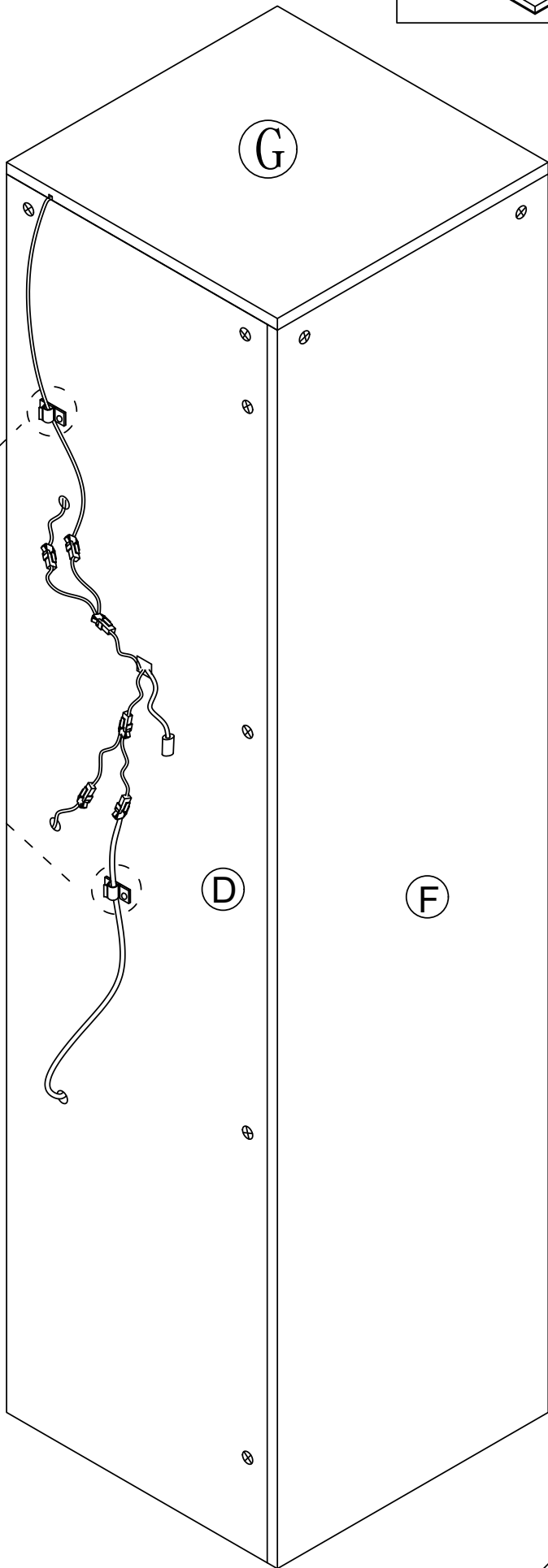
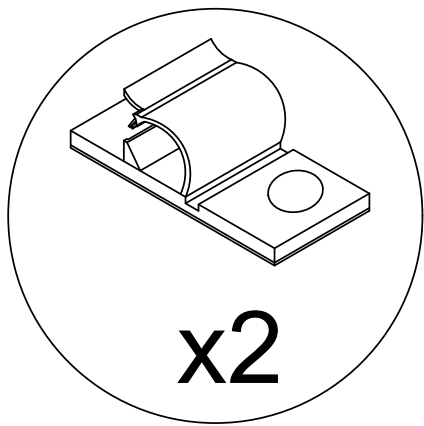
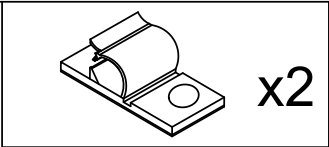
Turn this screw to adjust the door panel to be flat with the side panel.



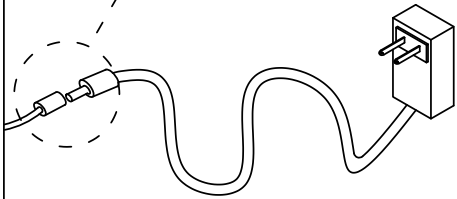
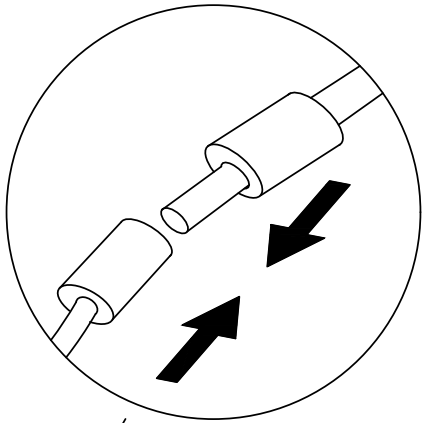
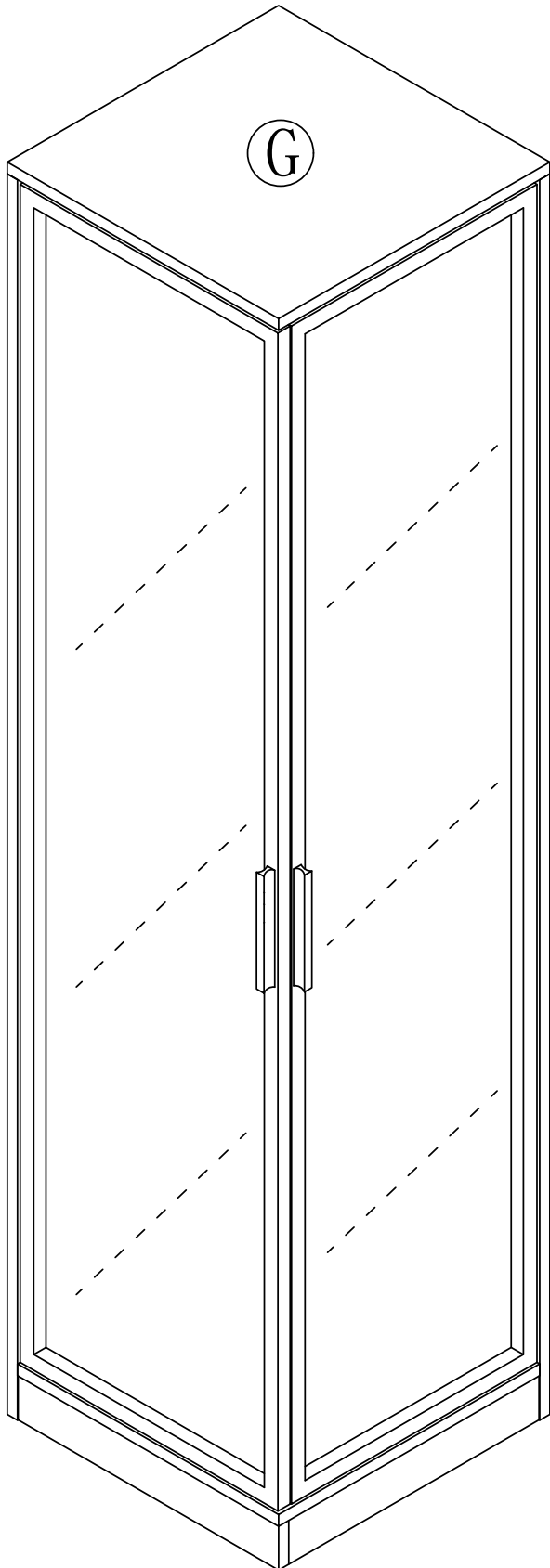
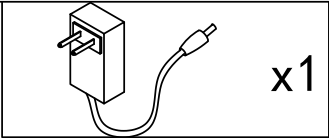
Step 20



Step 21

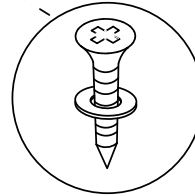
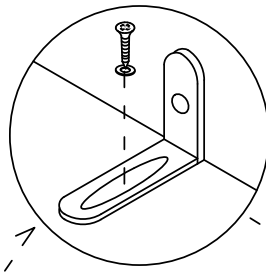
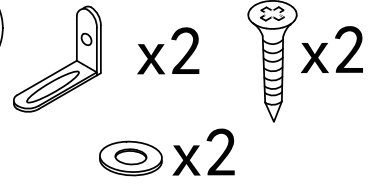


Step 22



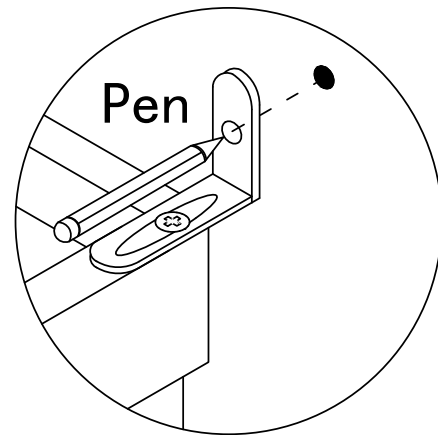
# Step 23

8

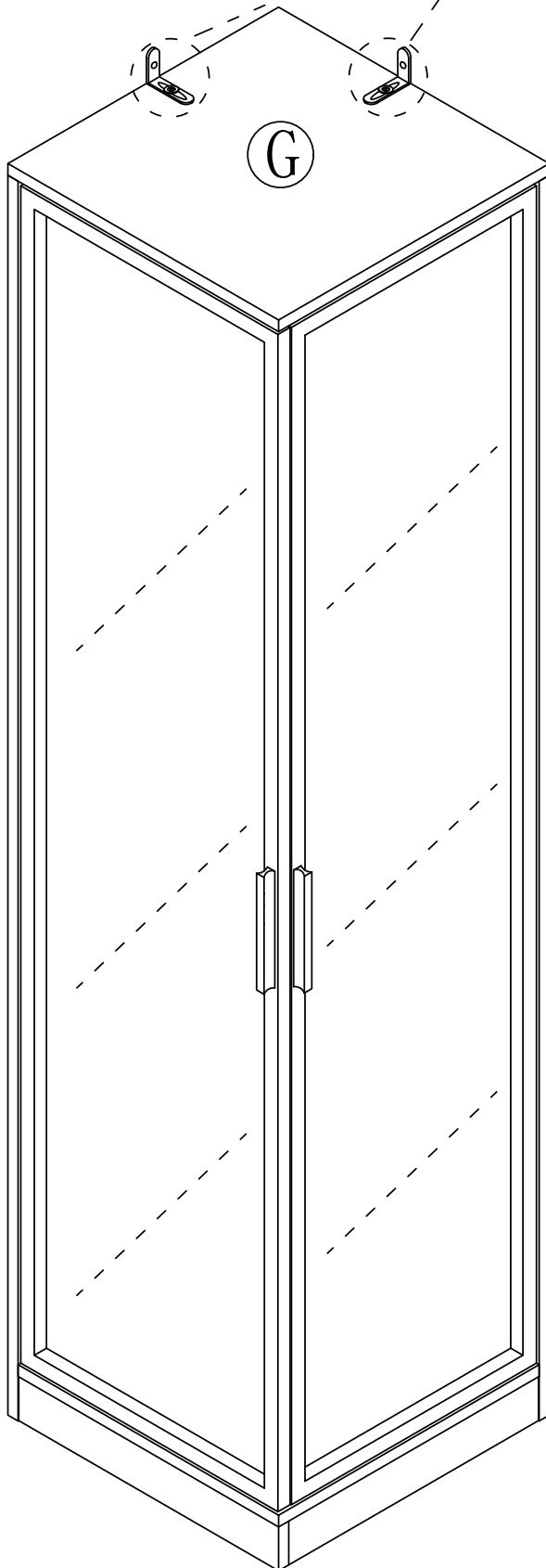


3.5x14mm


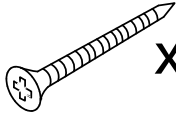

Install the anti fall hardware on the cabinet as shown in the picture first



Then mark the wall with a pen through the holes in the anti-fall hardware

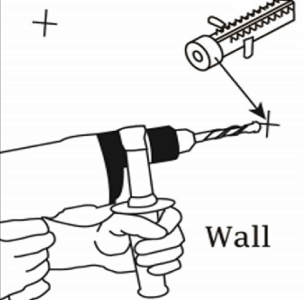


# Step 24

- 8  x2
-  x2  x2

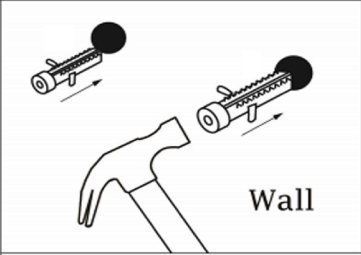
**Wall Mount**

+

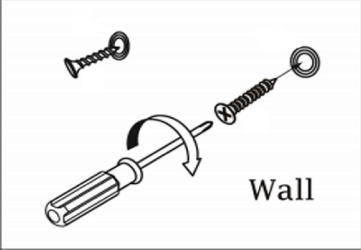


Wall

Drill the hole after measuring and marking position.

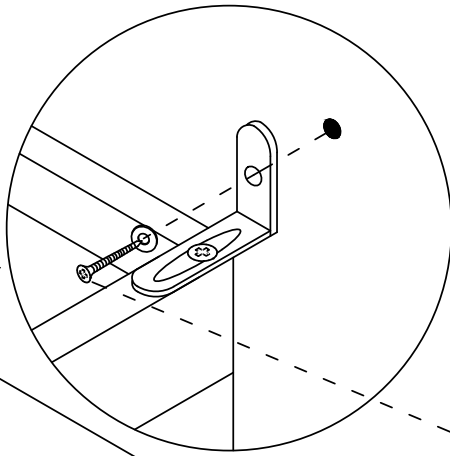


Wall

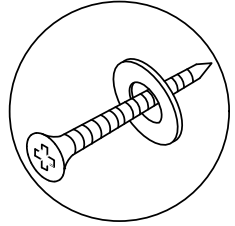


Wall

Drill the hole with an electric drill and punch in the colloidal particles

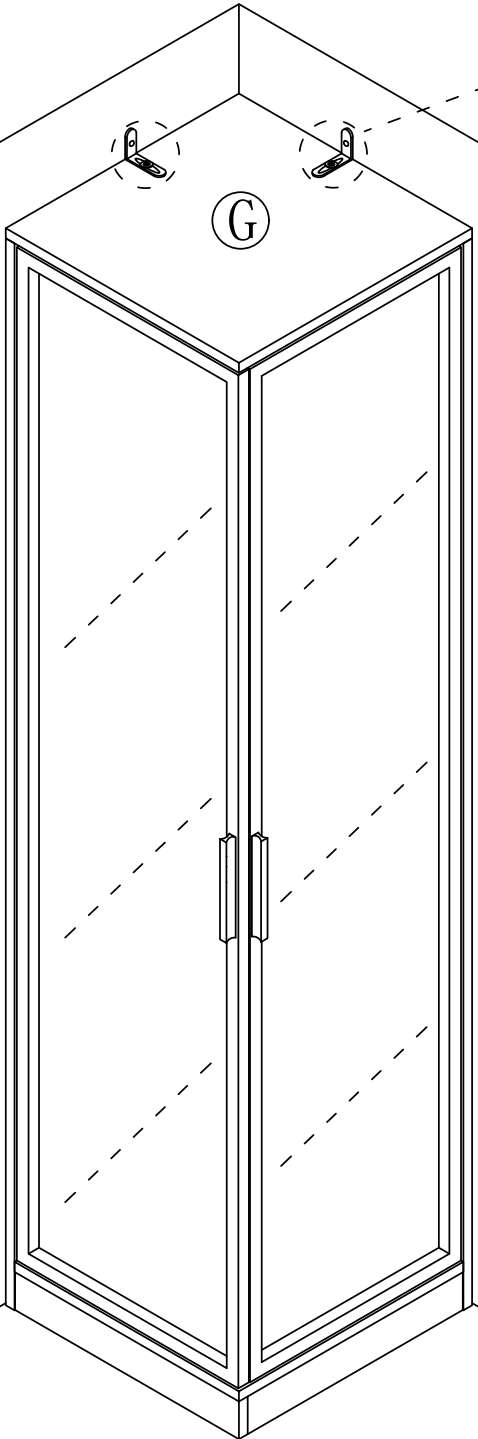


4x45mm



wall

wall



Fasten the cabinet to the wall

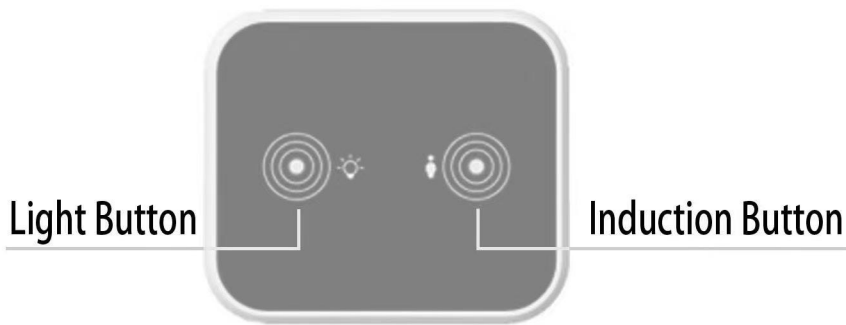
# User's Guide

Thank you for purchasing this product. To use this product, please plug it into a 12V DC power supply. Please use if the product works normally after connecting to power.

## Introduction

The box is an intelligent controller with 2 touch buttons. It can turn ON/OFF the light, change light colors, and adjust the light luminance.

## Product Show



### ATTENTION PLEASE

1. If there is no touch response suddenly, Re-plug the power to reset the touch static electricity.
2. If bubbles appear on the panel, remove the protective film.

## Operation



This touch button is used to turn on/off, change colors, and adjust brightness.

- A. Short touch -> lighting on -> short touch -> change light color -> short touch -> change light color -> short touch -> lighting off. B. Long touch -> adjust the luminance



This touch button is used to turn on/off the induction function.

- A. Short touch to turn on the induction function. It can auto-turn on the light when people are close to the controller in 1 meters. It can auto power off the light when the body is far away from the controller after 30 seconds.
- B. Long touch to turn off the induction function.
- C. Note: When you touch the light button to change the light modes, the induction function will automatically turn off. It is best to turn on this function after selecting the light color and adjusting the brightness you want.