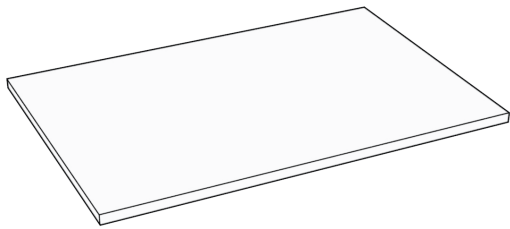


Assembly Manual

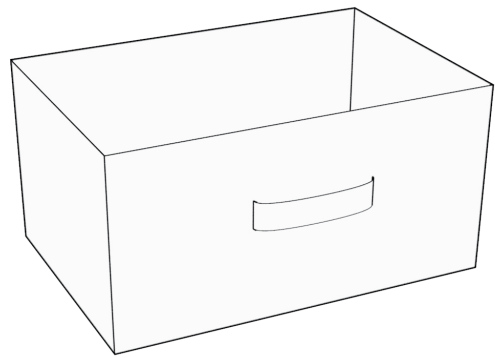


1



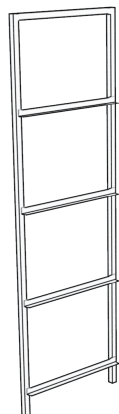
1pc

2



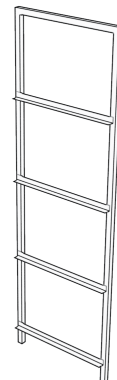
4pc

3



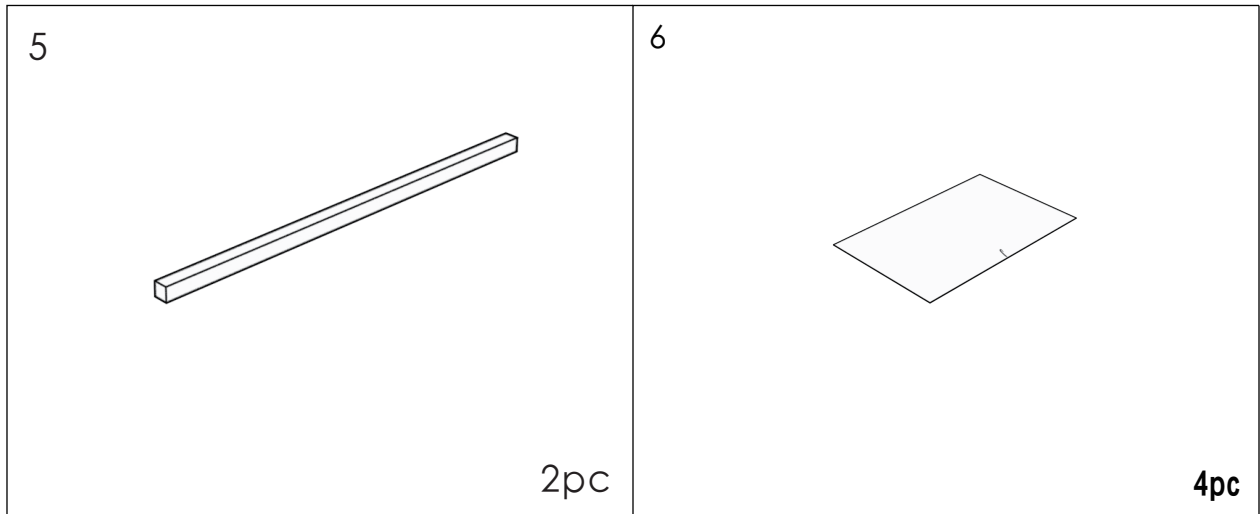
1pc


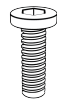
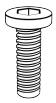

4

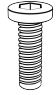



1pc

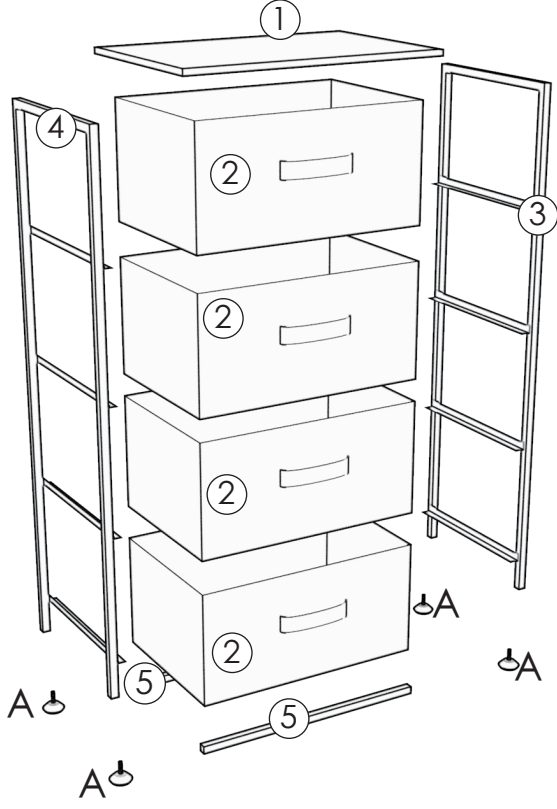
Assembly Manual



Hardware Accessories								
NO.	PICTURE	SIZE	QTY		NO.	PICTURE	SIZE	QTY
A			4		B		M6 * L25mm	4
C		M6 * L30mm	4		D			1

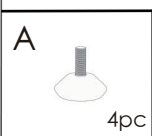
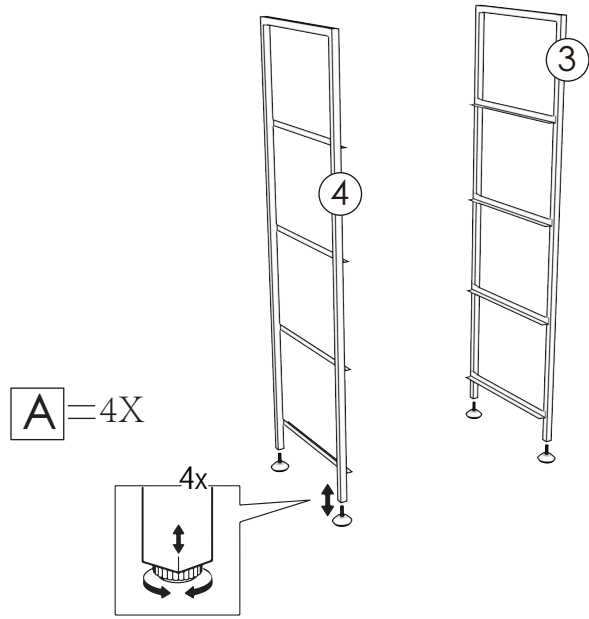
SPARE								
NO.	PICTURE	SIZE	QTY		NO.	PICTURE	SIZE	QTY
B		M6*L25mm	1		C		M6*L30mm	1

Exploded View



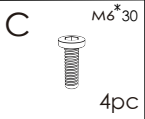
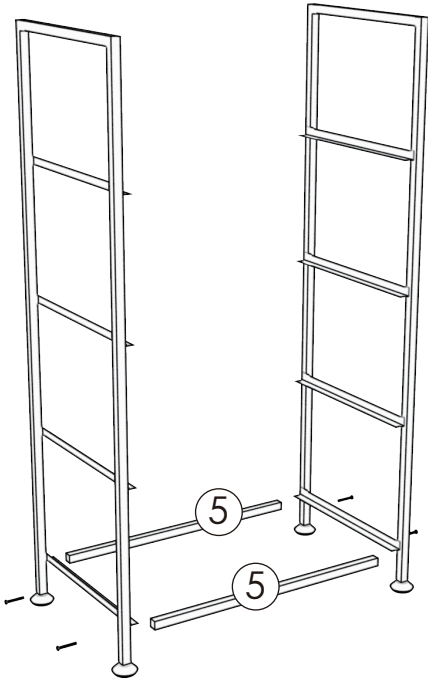
Installation procedures

step 1

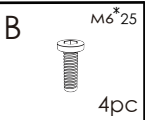
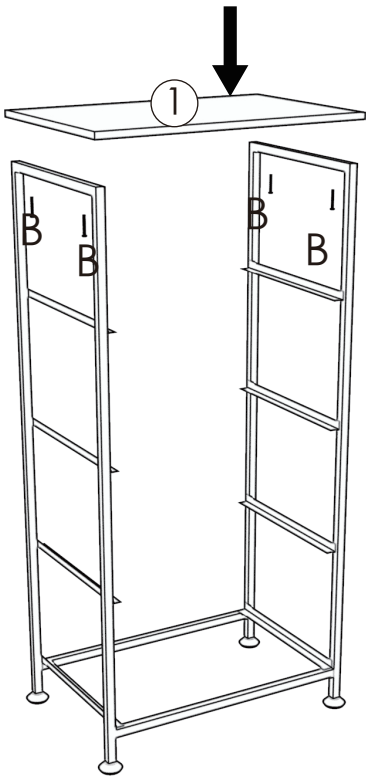


step 2

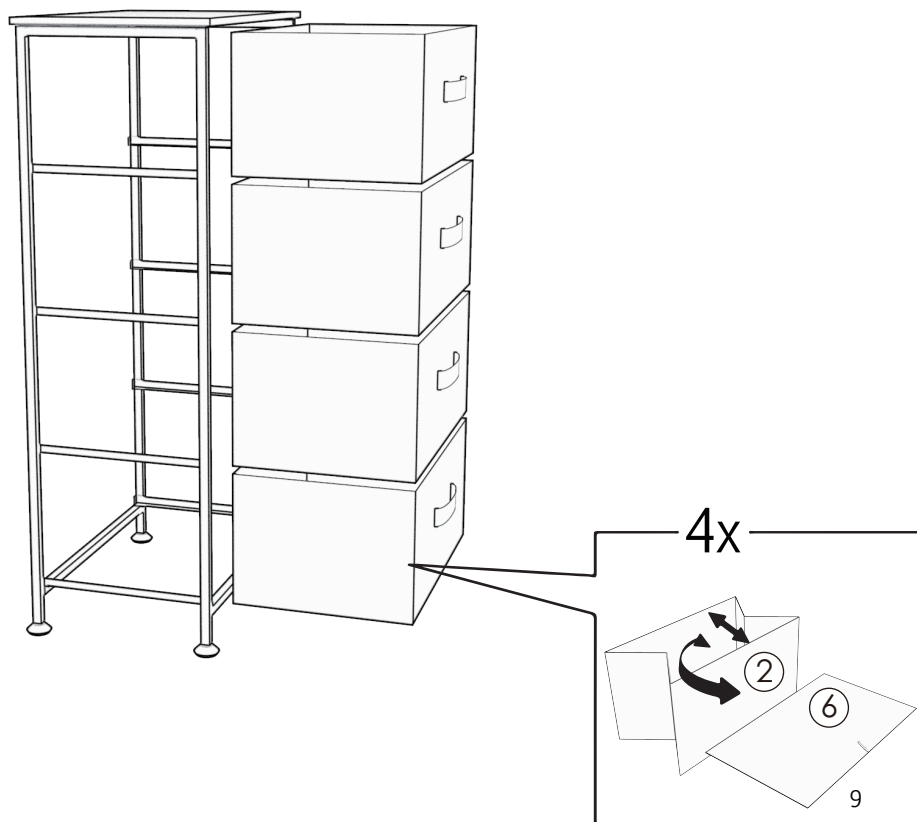
C=4X



step 3



step 4



COMPLETED DRAWING

