



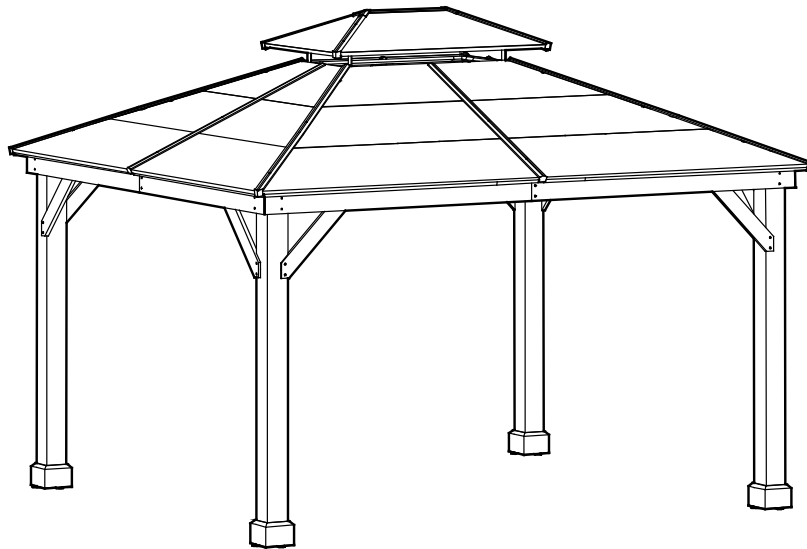
10'x12'

HARDTOP GAZEBO

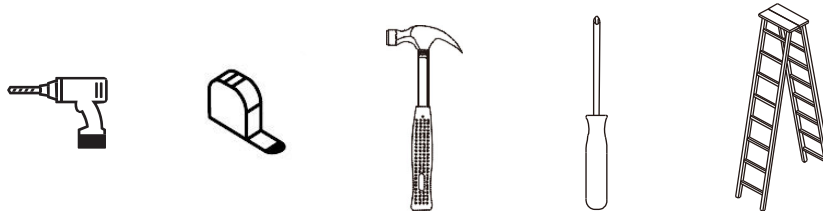
WITH CEDAR WOOD POST

ARTICLE# 185650

ASSEMBLY INSTRUCTIONS



**Note: The gazebo needs to be installed in cooperation with five people.
The following tools are not included and needed for assembly:**



Pistol Drill Tape Measure Hammer Phillips Screwdriver Ladder

If you have comments or questions, please contact BJ's Wholesale Club at 800-BJS-CLUB.

If you have any issues with the product, do not return the product back to the store.

Make sure you have all the parts and hardware as identified on the parts list.

Do not assemble if there are missing pieces.

Gazebo should be stored indoors during inclement weather such as heavy rain, snow or wind.

**For any questions, replacement parts or issues about our product,
contact Sunjoy Customer Service at 1-866-578-6569 anytime 24 hours/7 days a week or email
bj@sunjoygroup.com.**

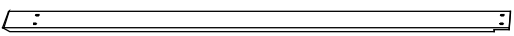
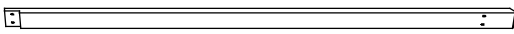
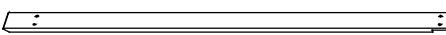
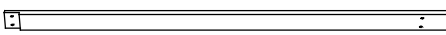


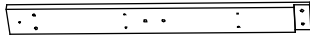
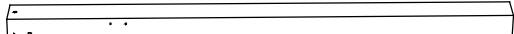





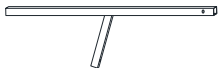




Important Safety Instructions




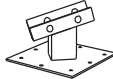



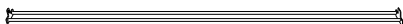
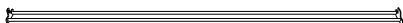


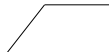
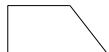
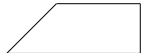




Warning! To reduce the risk of serious injury, read the following safety instructions before assembling and using the gazebo.

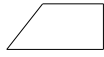
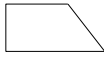
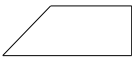








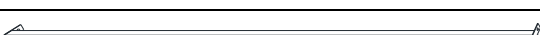
Caution! Always keep children under close supervision while they are using or around this product. Never leave children unattended.

- This product is intended for outdoor use only.
- The product should be assembled on a flat stable surface.
- Do not assemble the gazebo on unstable surfaces.
- Ensure the location and clearance of your gazebo is acceptable.
- The gazebo must be anchored with stakes into the ground for added safety. It is recommended that it should not be permanently attached to a concrete floor or platform.
- Arrange the necessary manpower when assembling or moving the product.
- Some parts may contain sharp edges. Wear protective gloves and glasses if necessary.
- Keep children and pets away while setting up the gazebo.
- Check all nuts and bolts periodically for tightness. When required, tighten them again.
- Repairing and replacing parts should be done by a qualified technician.
- Remove all excess snow from the roof.
- If the product is not being used for long periods of time (e.g. winter), it should be stored in a clean, dry environment.
- Do not put a Liquid Propane or Wood Burning fire pit or fireplace inside the product.
- Do not climb or place heavy objects onto the gazebo roof.
- Retain the original packaging to store and protect the gazebo during the winter months.
- Do not use or enter the gazebo if the following conditions exist:
 1. Visible movement of supports, roofing panels or a sagging roof.
 2. Unusual noise from the gazebo.
 3. Deformed roof panels.
 4. Damaged or missing bolts/fasteners.
- Please check your HOA, Local, and State Governments prior to purchasing and assembling gazebos. These local organizations may require permits and specific requirements for installation.
- Maintain your instruction manual for future reference.
- Warranty: Please retain your receipt for proof of purchase.

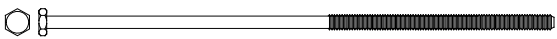
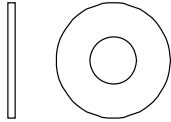
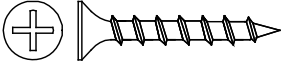
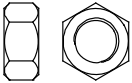
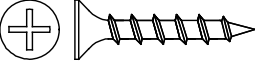
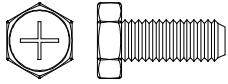
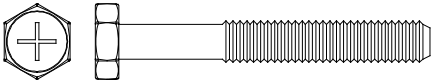
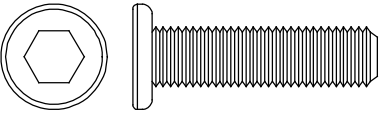
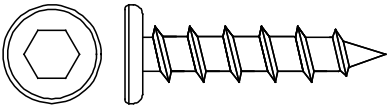
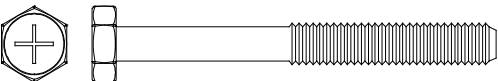
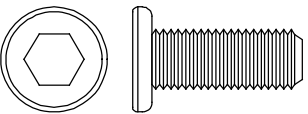
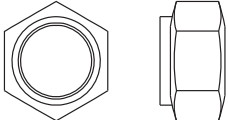
Part List

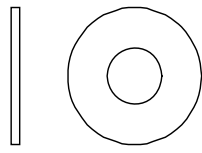
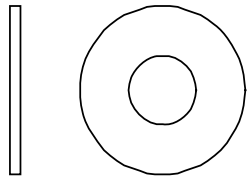
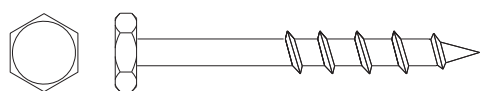
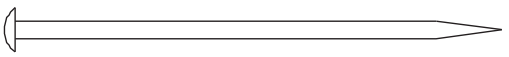
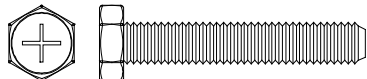



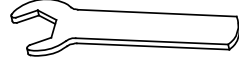

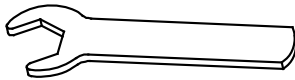
Description	Label	Part Number	Qty	Part Image
Long left beam	01	P000401052	2	
Long right beam	02	P000401054	2	
Short left beam	03	P000401056	2	
Short right beam	04	P000401058	2	
Long beam	05	P000401060	4	
Short beam 1	06	P000401049	4	
Short beam 2	07	P000401050	4	
Post	08	P000200544	4	
Base cover	09	P006100201	16	
Arc support 1	10	P005000525	4	
Arc support 2	11	P005000526	4	
Big top frame	A1	P00050057901	2	
Big top bar	B1	P00050058001	2	
Small top support	C1	P00060069601	4	
Beam Small top connector	D1	P00060069501	1	
Hook	E1	P005800001	1	
Top roof small panel 1	F1	P00070024801	2	
Top roof small panel 2	G1	P00070024901	2	

Small top cover	H1	P00080011501	4	
Small top roof cover	I1	P00080011401	1	
Base	E2	P00010014301	4	
Slanting bar connector	F2	P00050058101	4	
Middle beam connector	G2	P00050058201	4	
Long pipe 1	R2a	P00570020301	2	
Long pipe 2	R2b	P00570020401	2	
Short pipe 1	S2a	P00570020501	2	
Short pipe 2	S2b	P00570020601	2	
Top slanting bar	P3	P00060069801	4	
Big top middle beam	B3	P00060069701	4	
Long side left roof panel 1	C3	P00070025901	2	
Long side right roof panel 1	D3	P00070026001	2	
Long side left roof panel 2	E3	P00070025701	2	
Long side right roof panel 2	F3	P00070025801	2	
Long side left roof panel 3	G3	P00070025501	2	
Long side right roof panel 3	H3	P00070025601	2	
Short side roof panel	I3	P00070025001	2	

Short side left roof panel 1	J3	P00070025101	2	
Short side right roof panel 2	K3	P00070025201	2	
Short side left roof panel 2	L3	P00070025301	2	
Short side right roof panel 3	M3	P00070025401	2	
Big roof panel cover	N3	P00080011601	4	
Top slanting bar	O3	P00080011701	4	
Big roof top beam (short side) 1	W1	P00060069901	4	
Big roof top beam (short side) 2	W3	P00060070001	4	
Big roof top beam (short side) 3	W5	P00060070101	4	
Big roof top beam (long side) 1	X1	P00060070201	4	
Big roof top beam (long side) 2	X3	P00060070301	4	
Big roof top beam (long side) 3	X5	P00060070401	4	

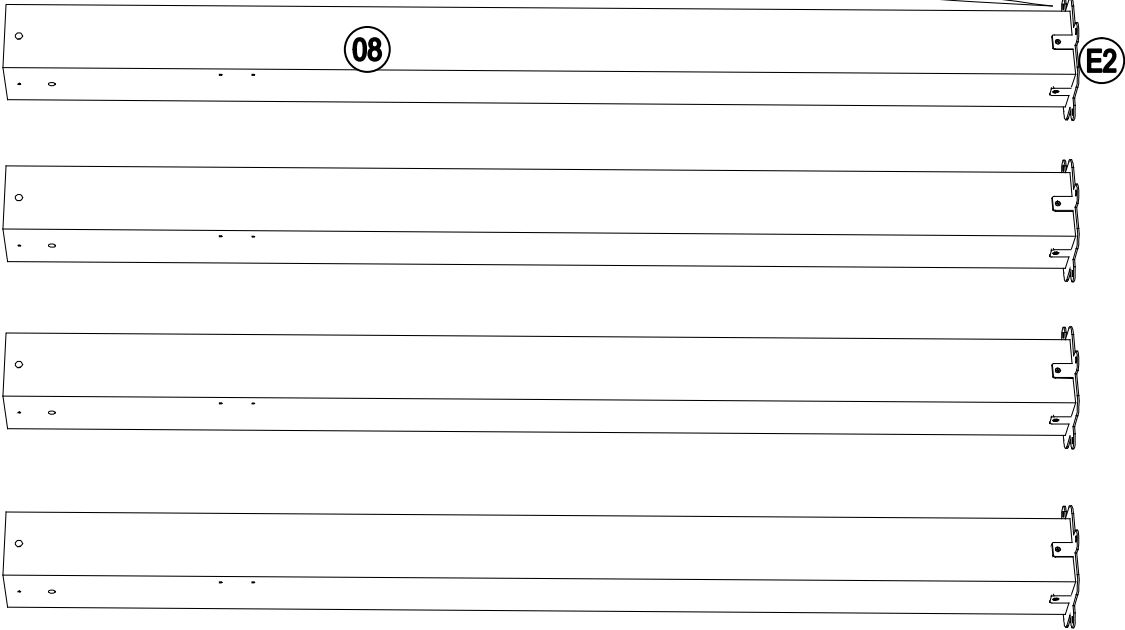
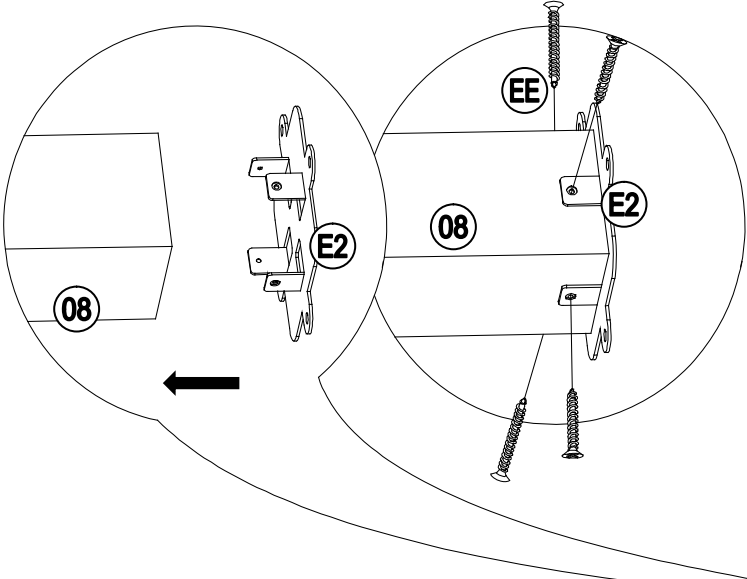
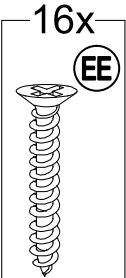
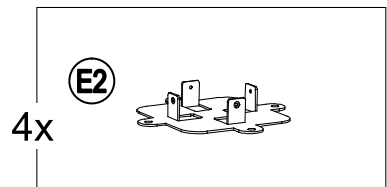
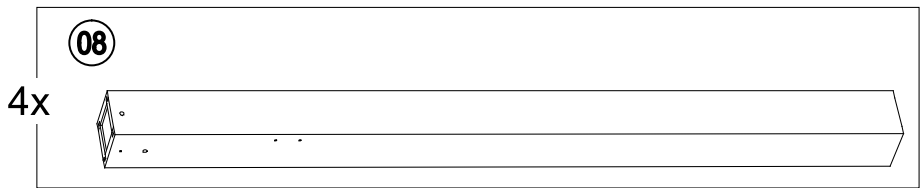
Hardware Pack

AA	Bolt M10*205	H010010276	8	
BB	Flat Washer M6	H050030001	202	
CC	Screw M5*35	H030050037	128	
DD	Nut M6	H040010004	12	
EE	Screw M5*25	H030050036	64	
FF	Bolt M6*15	H010020011	152	
GG	Bolt M6* 45	H010020016	16	
HH	Bolt M8*35	H010030083	16	
II	Bolt M8*35	H030030010	16	
JJ	Bolt M6*55	H010020009	14	
KK	Bolt M8*25	H010030084	24	
LL	Non-slip Nuts M10	H040050020	8	

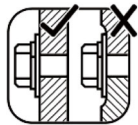
MM	Flat Washer M8	H050030002	56	
NN	Flat Washer M10	H050030003	24	
OO	Screw M10*80	H030010031	8	
PP	Stake $\Phi 8*180$	H070010003	8	
QQ	Bolt M6*35	H010020013	8	
RR	M3 Drill	H090990002	2	
SS	T-Nut M8*20	H040090005	16	
VV	T-Nut M8*8	H040090004	24	
Z1	Wrench M6	H090010017	2	
Z2	Allen Key M8	H090030005	1	
Z4	Wrench M10	H090010015	2	

1

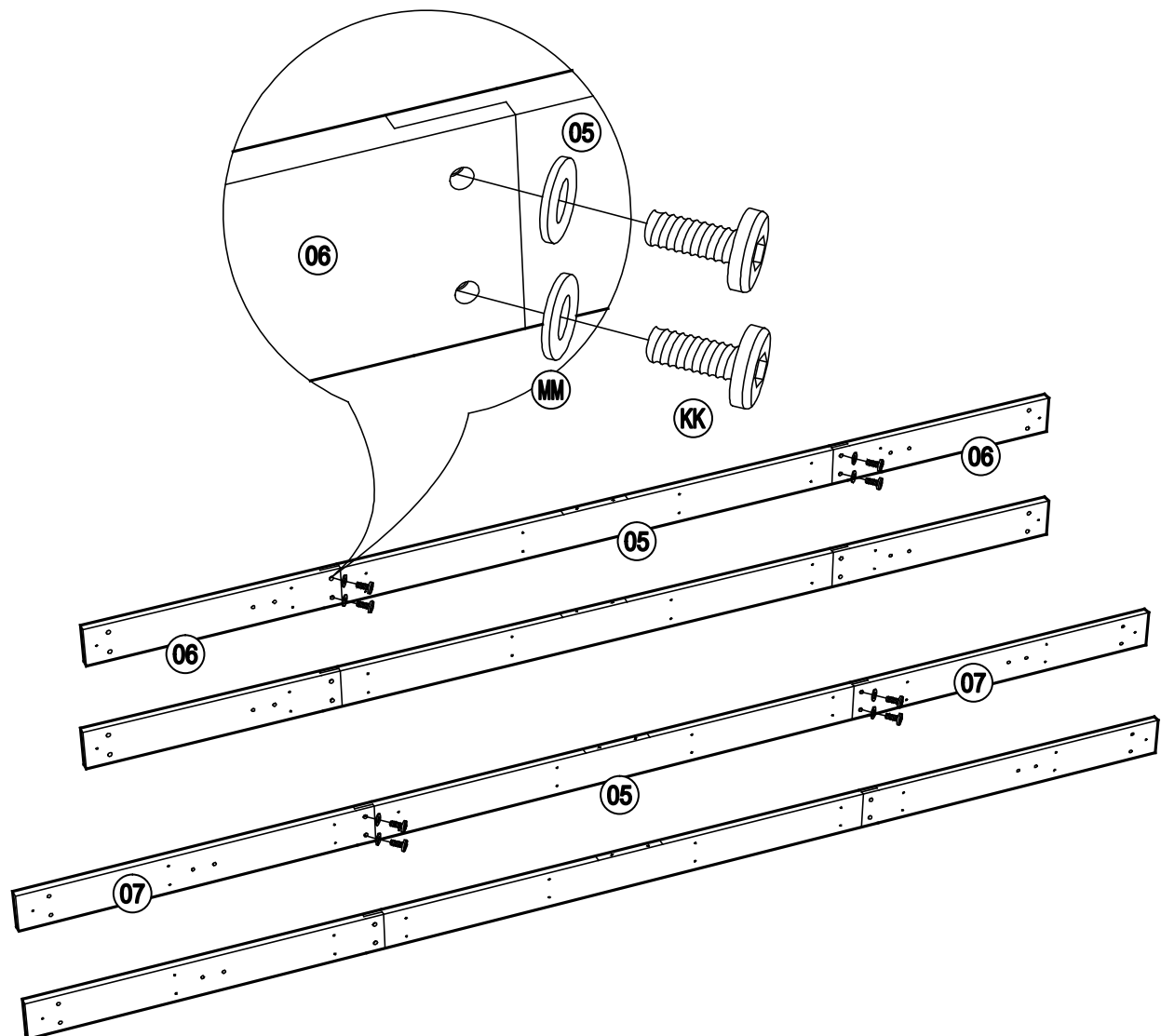
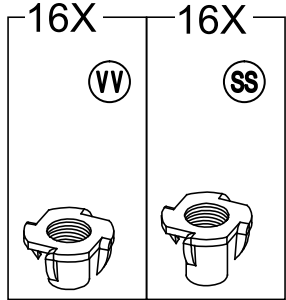
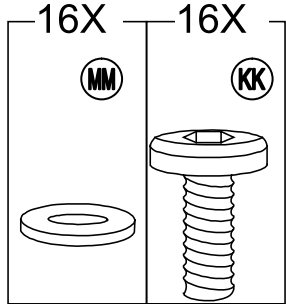
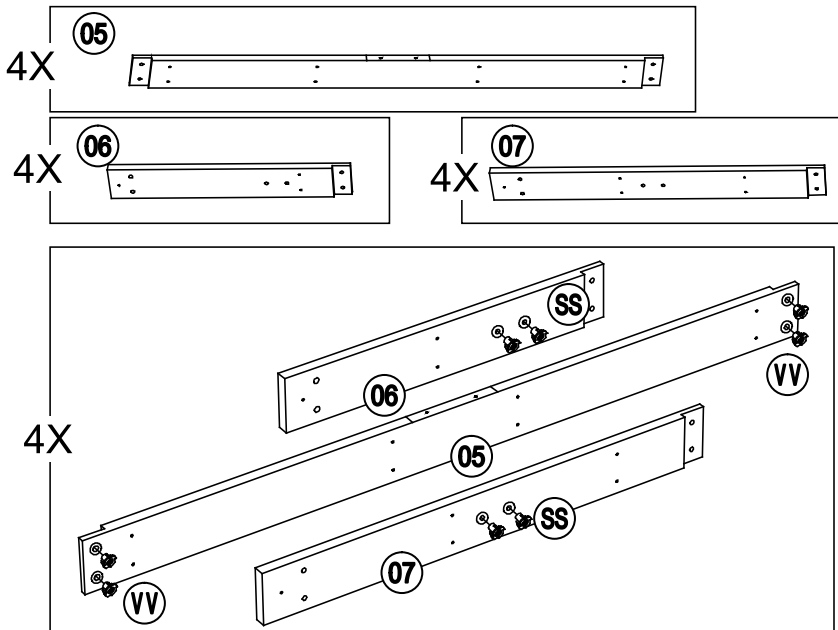
Install the post base.



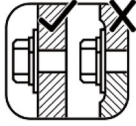
2



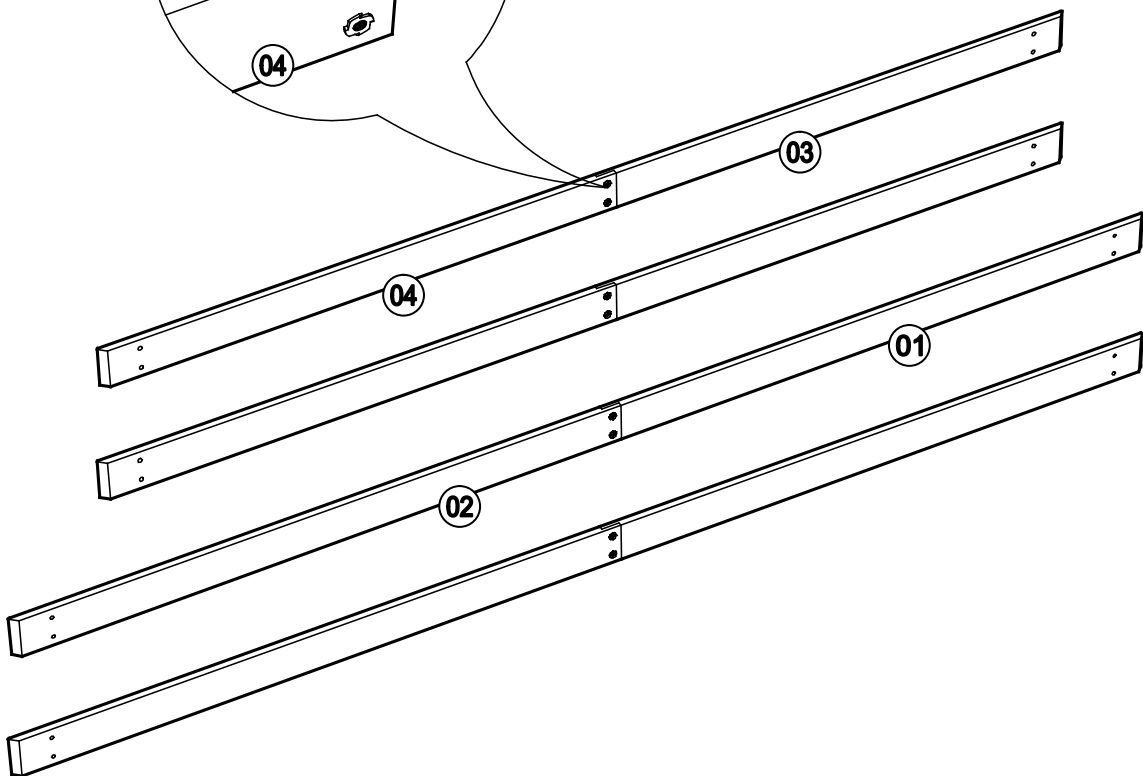
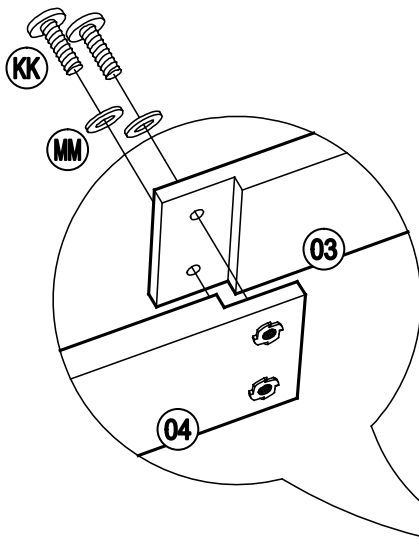
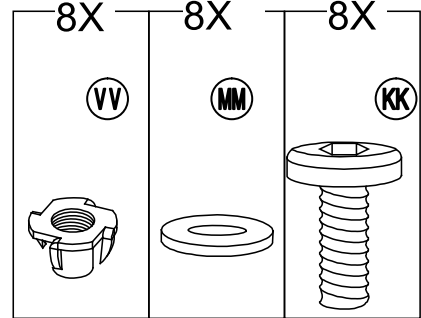
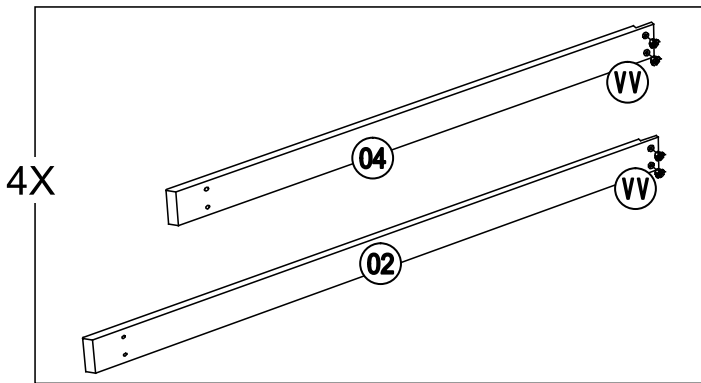
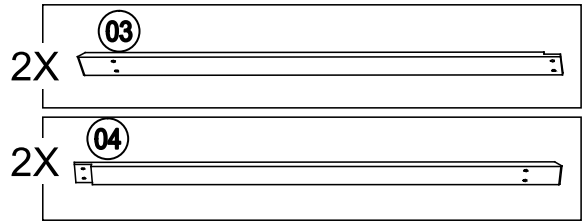
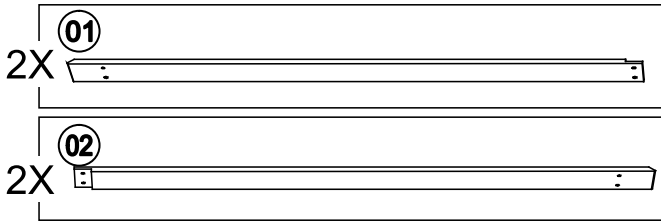
Connect the Long beam to short beam.



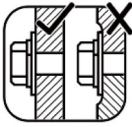
3



Install the Long Beam & Short Beam.

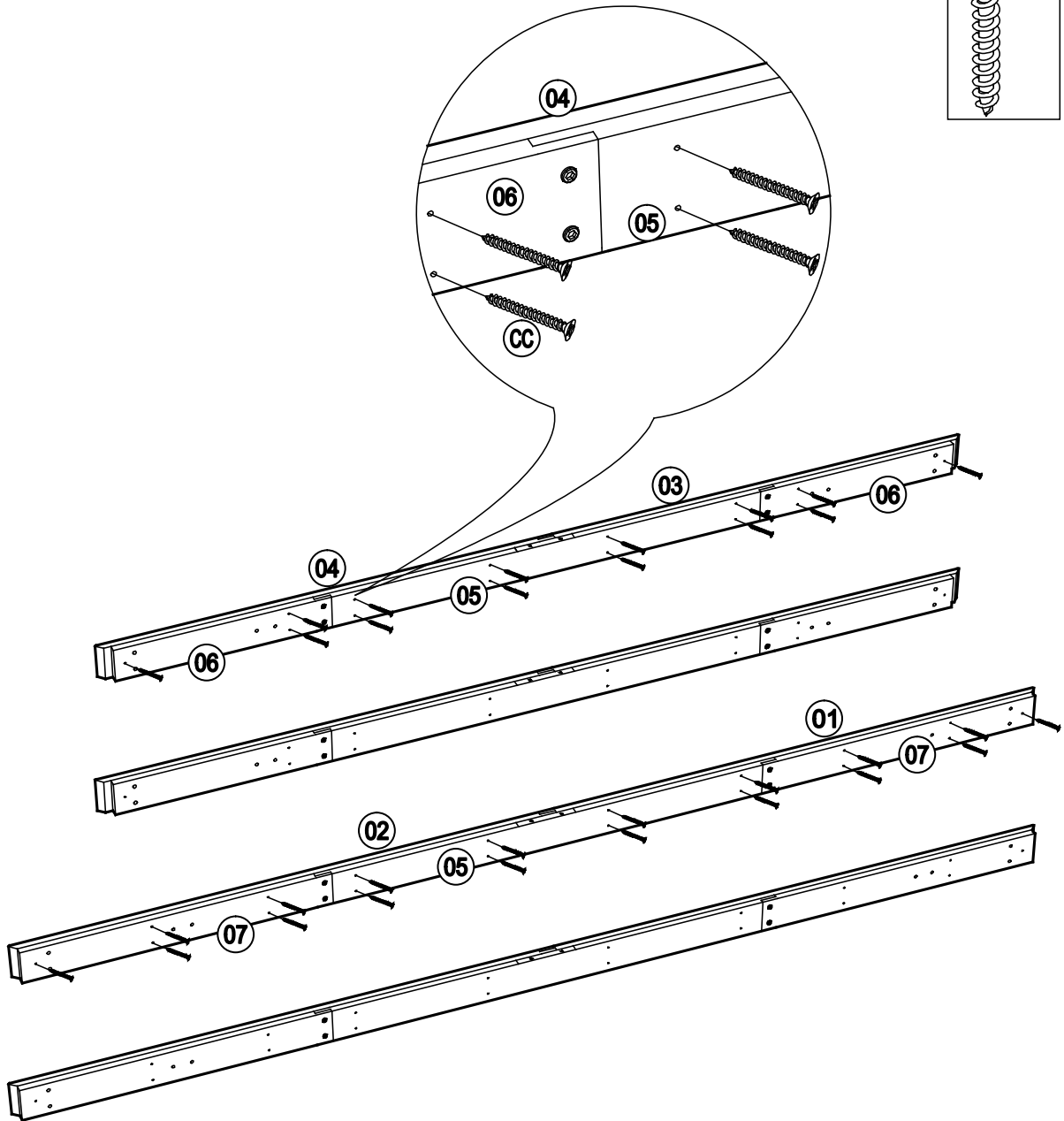
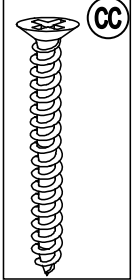


4



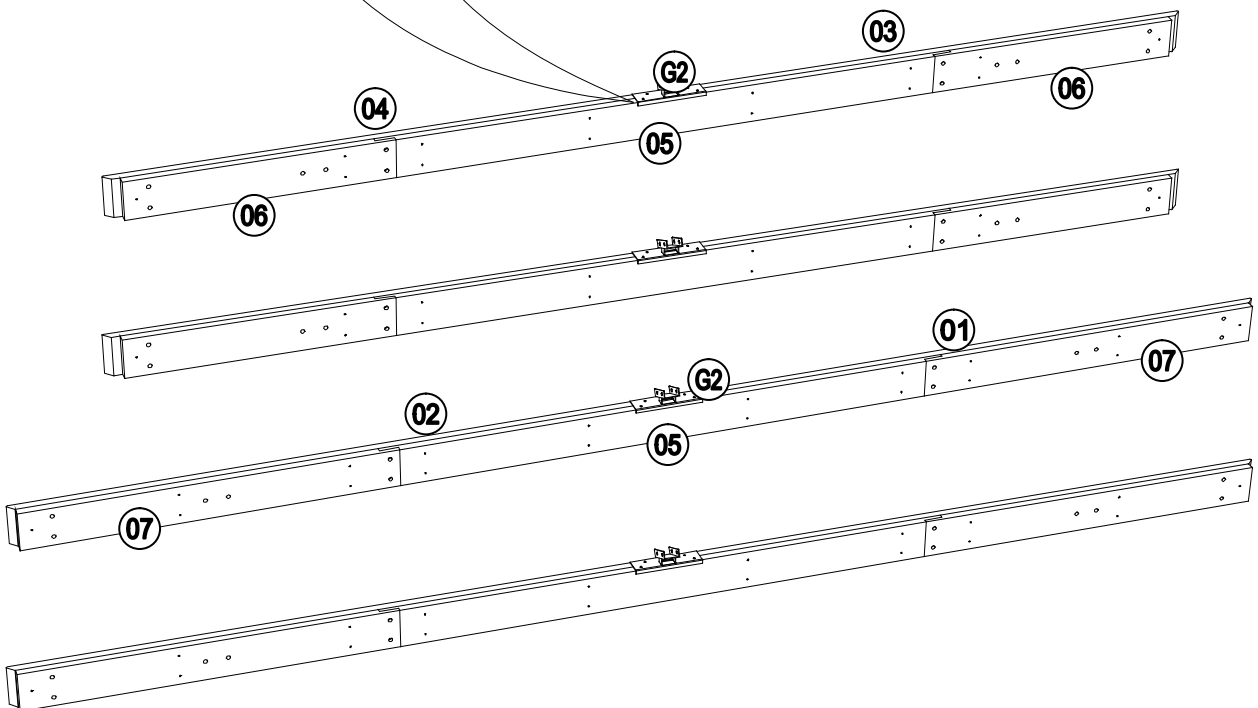
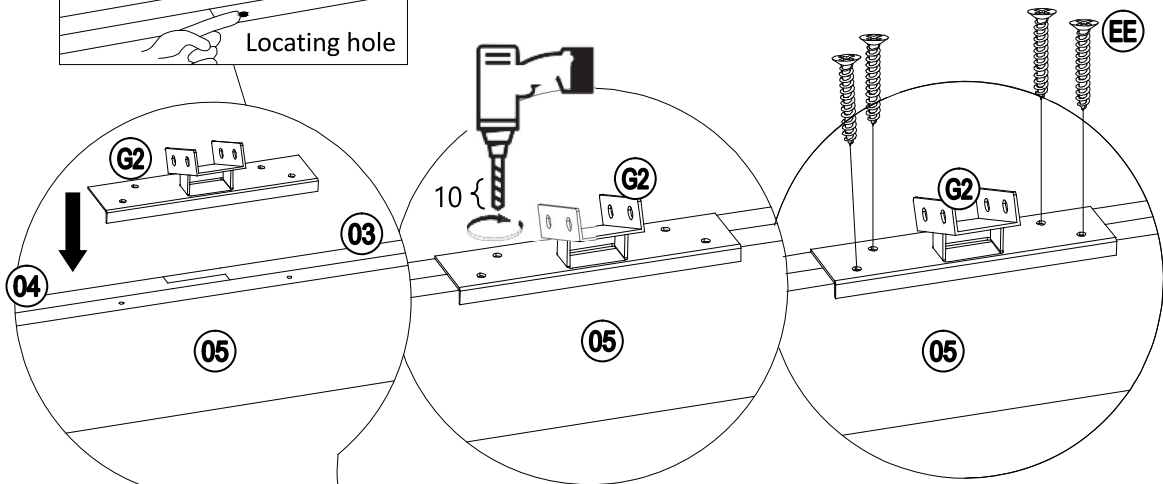
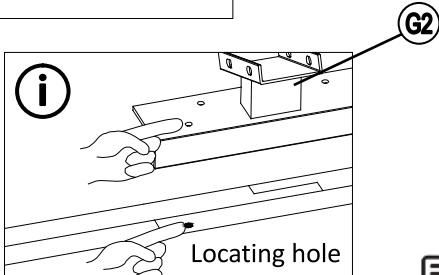
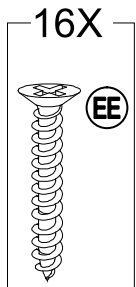
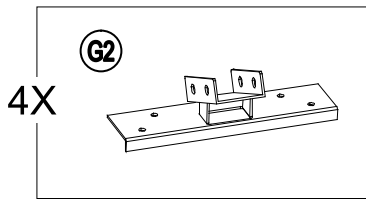
Tighten the Screw.

64X

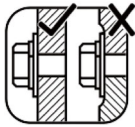


5

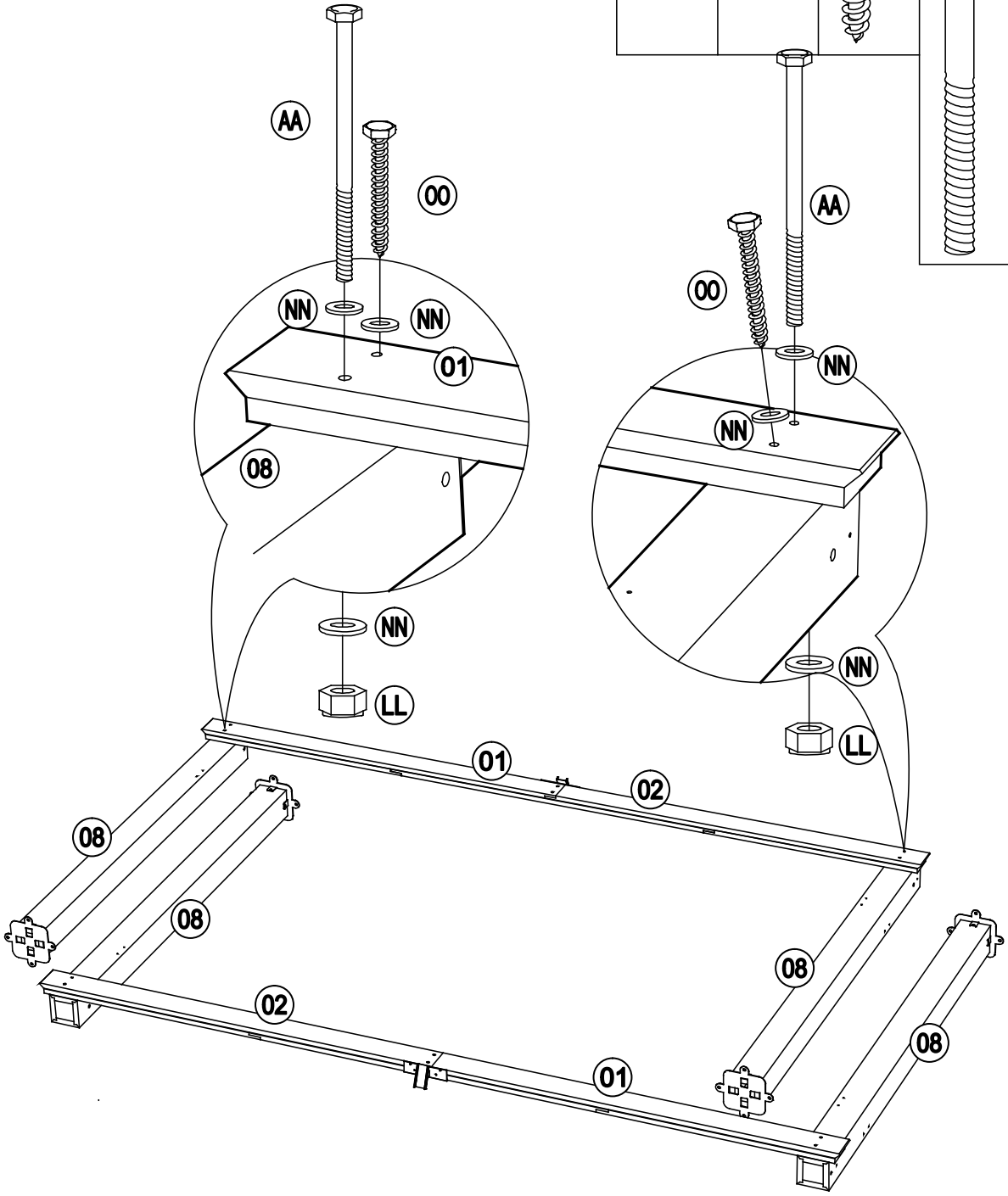
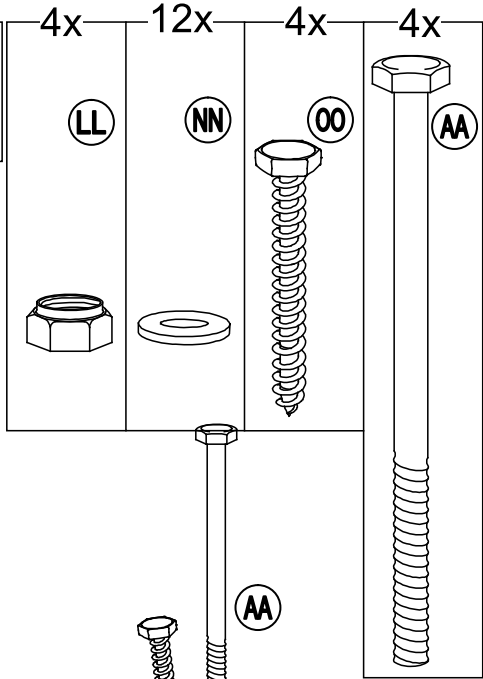
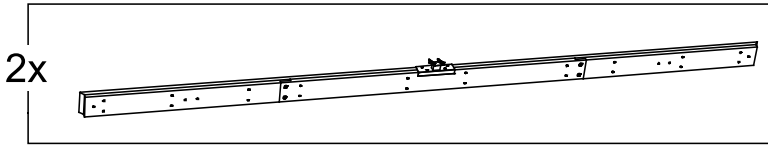
Install the Middle beam connector.



6



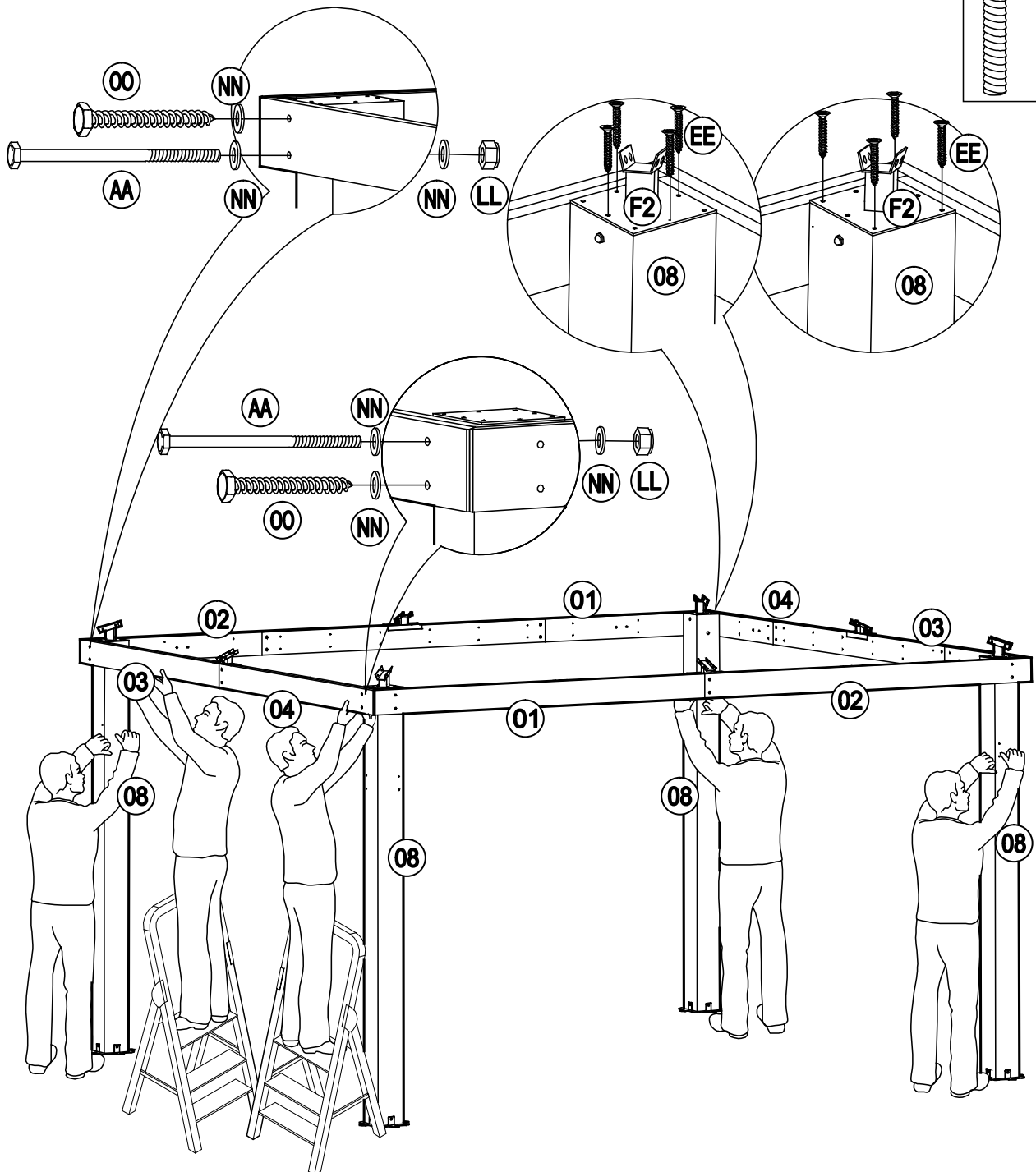
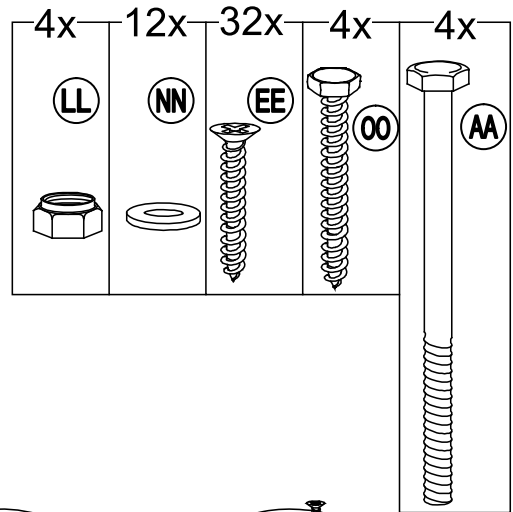
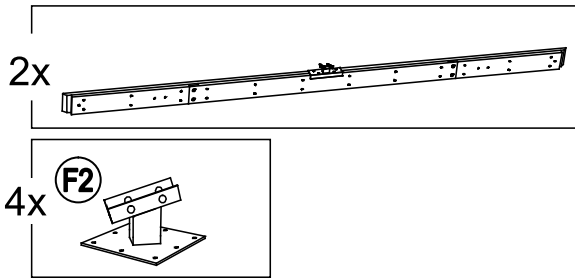
Connect the Beam to the post.



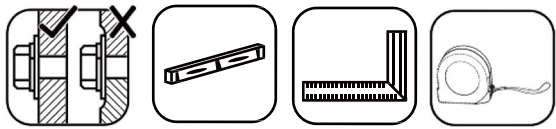
7



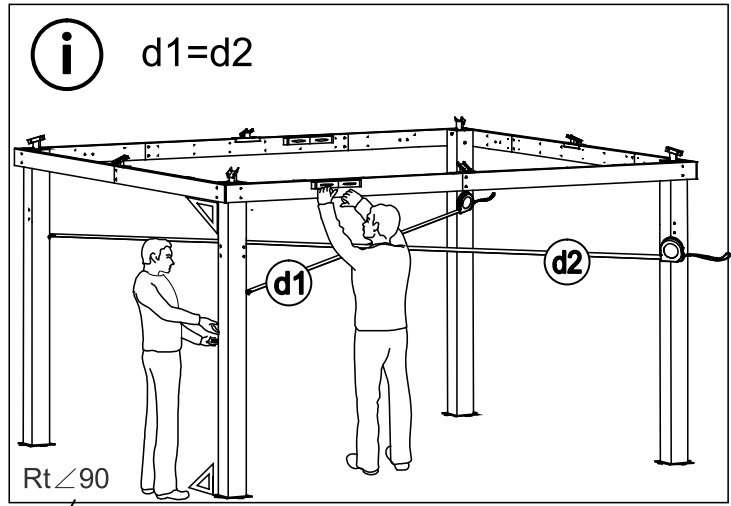
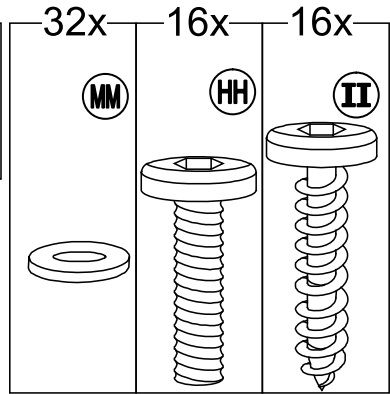
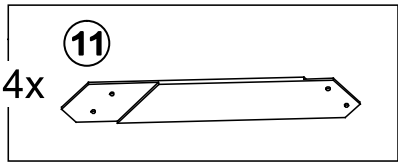
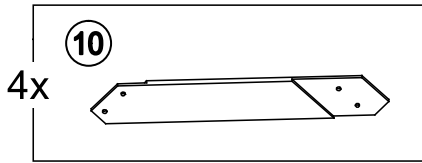
Connect the Beam to the post.



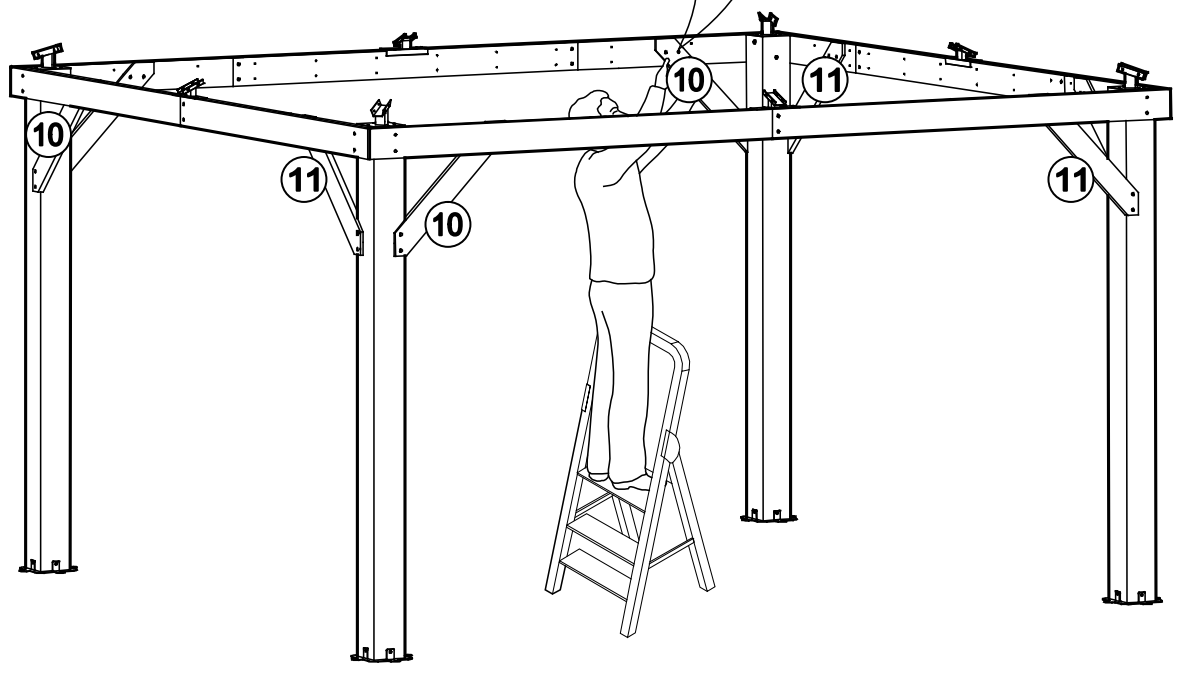
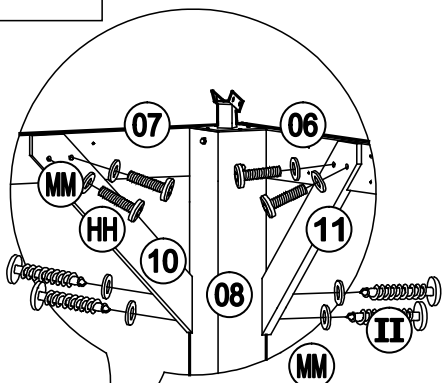
8



Install the Arc support.

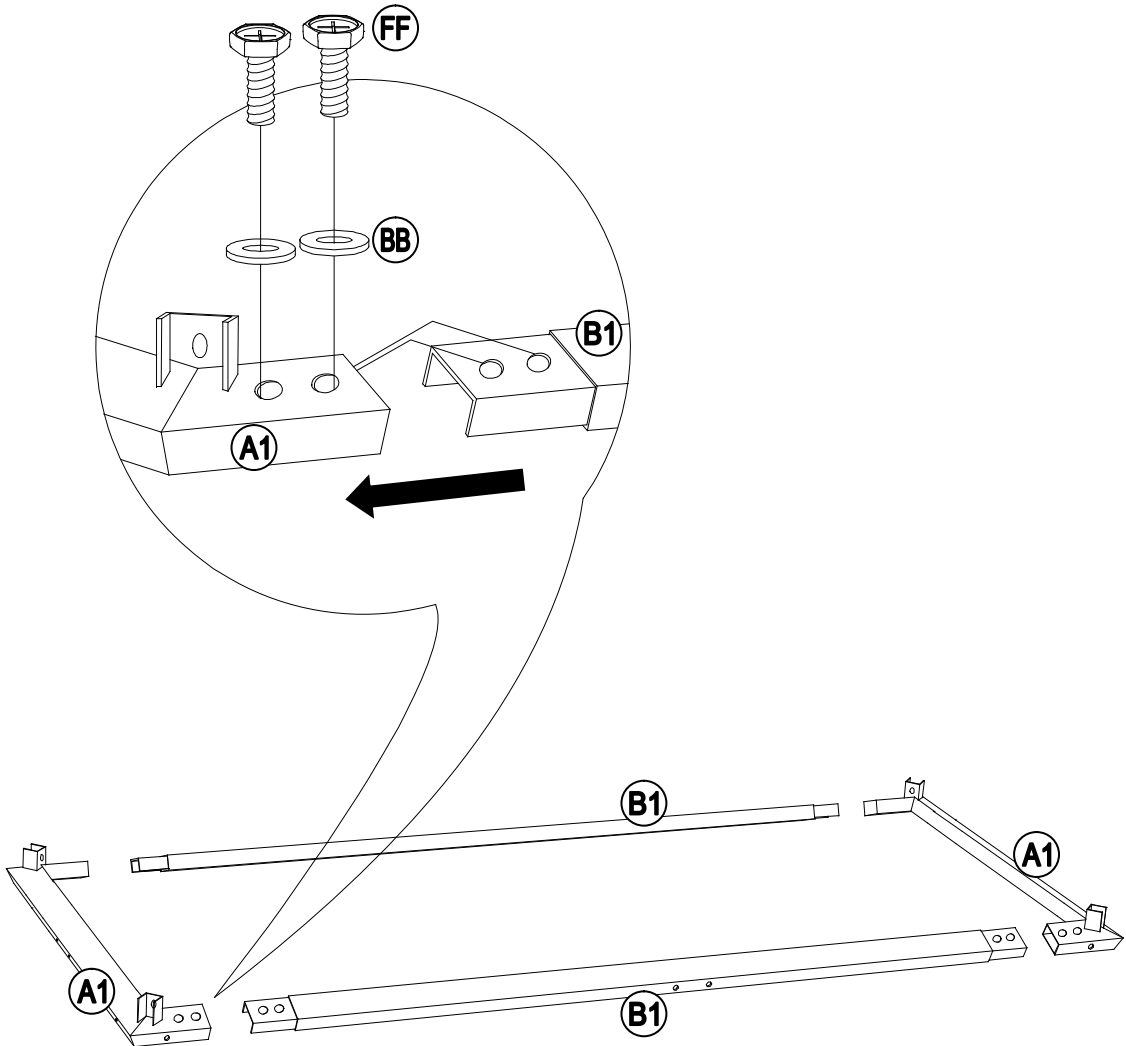
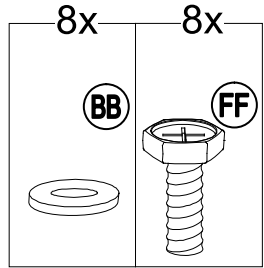
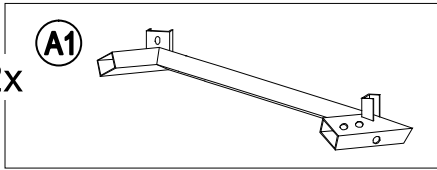
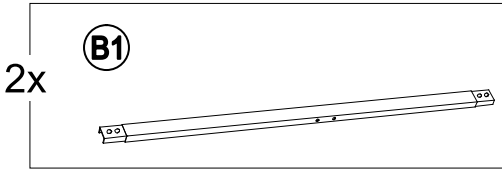


Assembly Tip:
We advise to measure the distance between d1 & d2 to ensure that they are equal in distance. In addition, best to use a Bubble Level Gauge to ensure all the posts are upright.



9

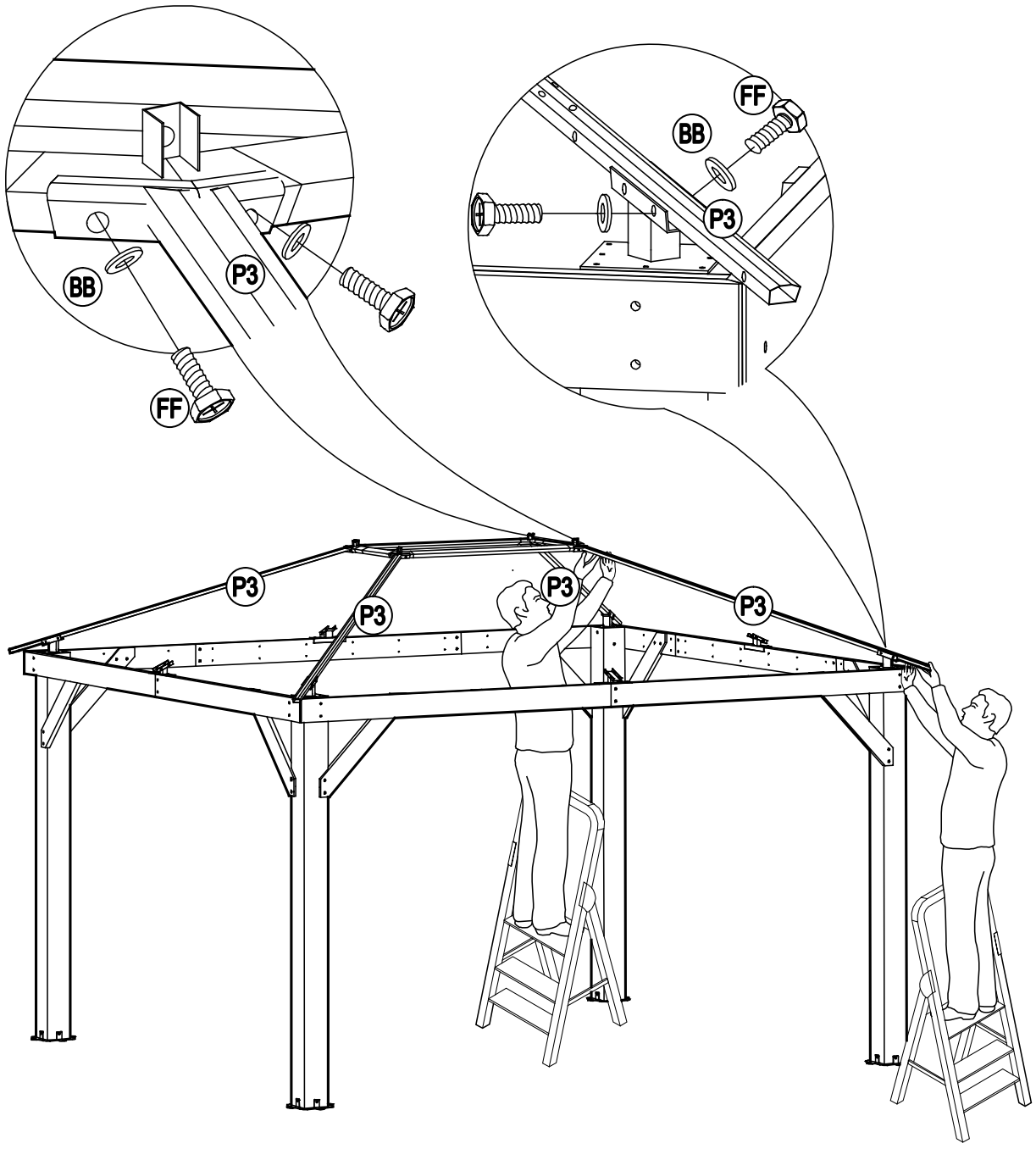
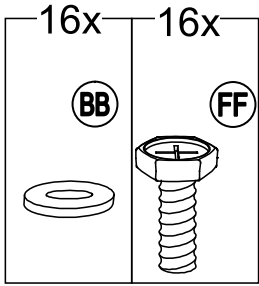
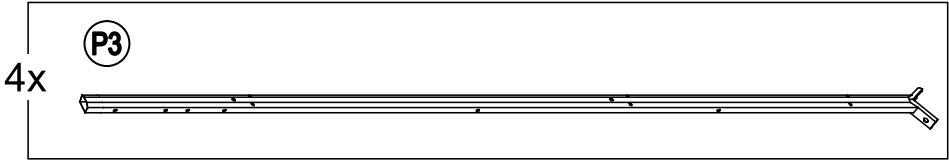
Connect the Big top frame to Big top bar.



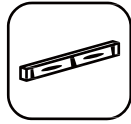
10



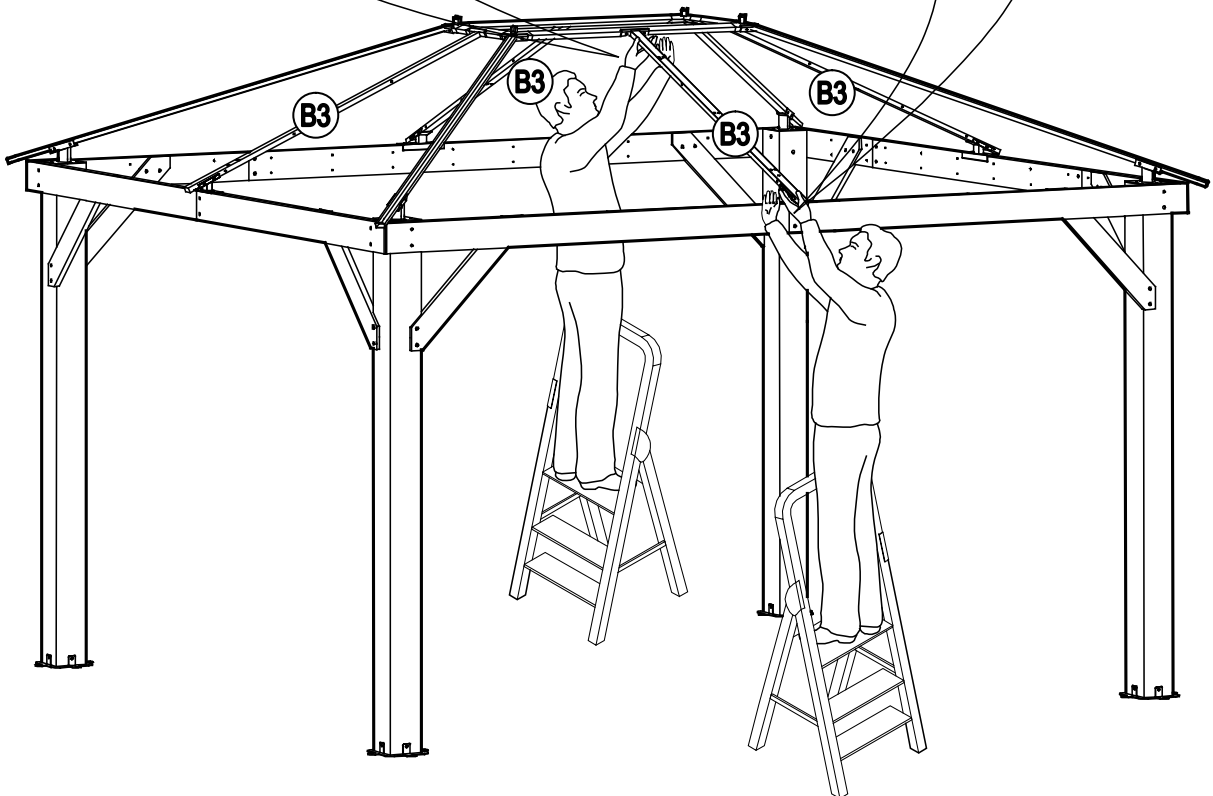
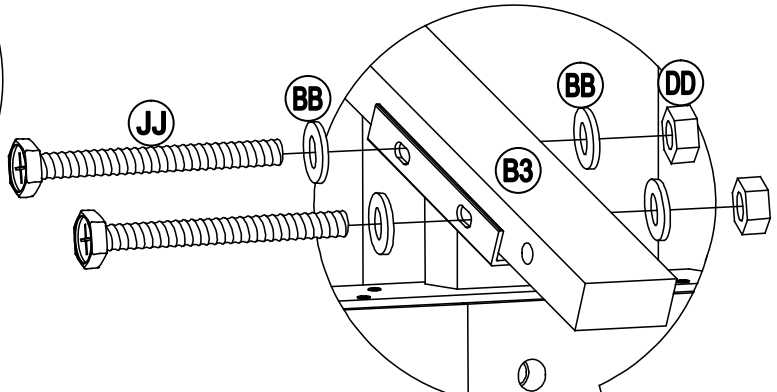
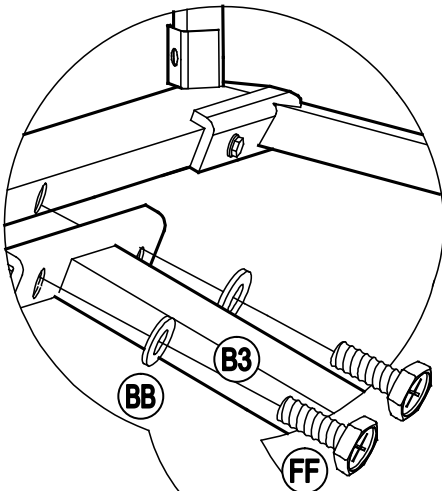
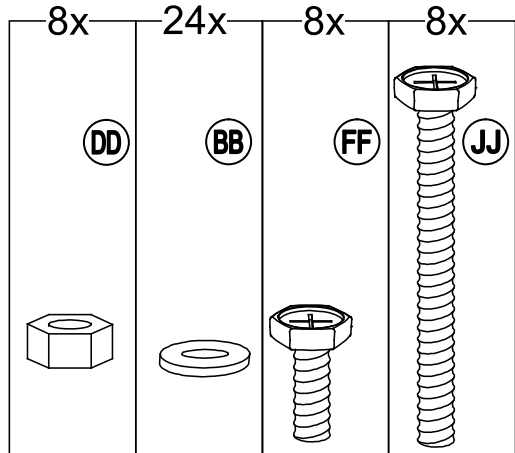
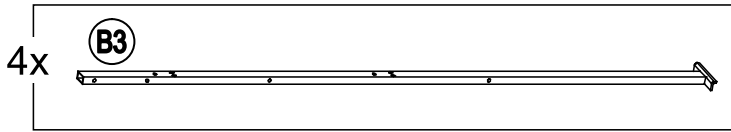
Install the Top slanting bar.



11

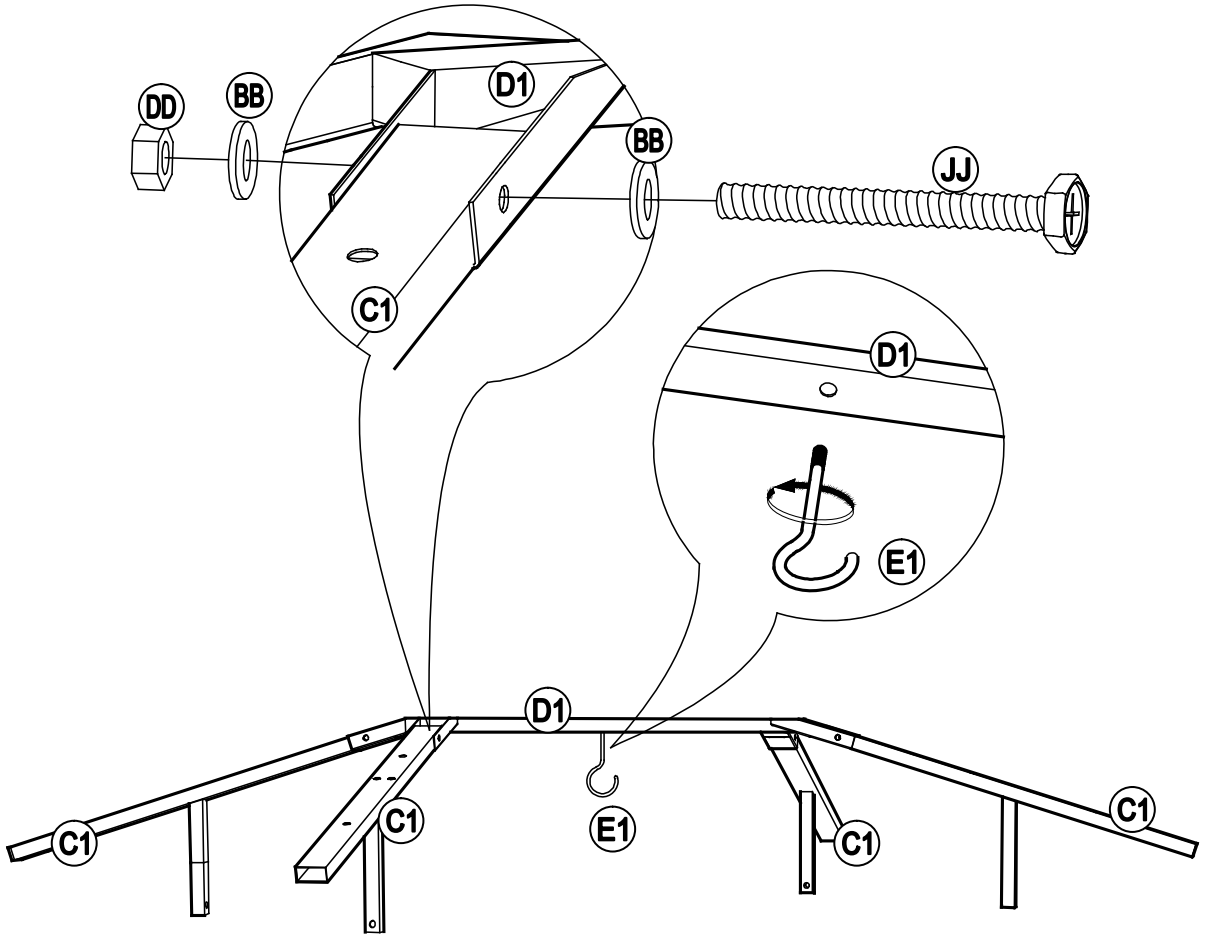
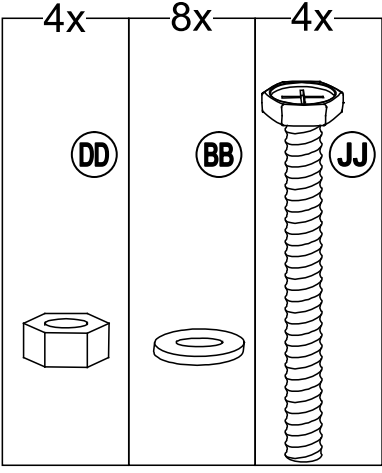
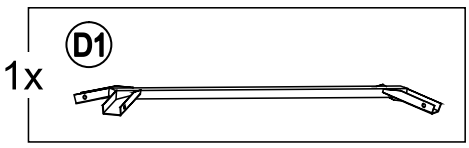
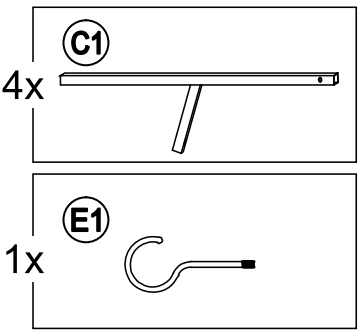


Install the Big top middle beam.



12

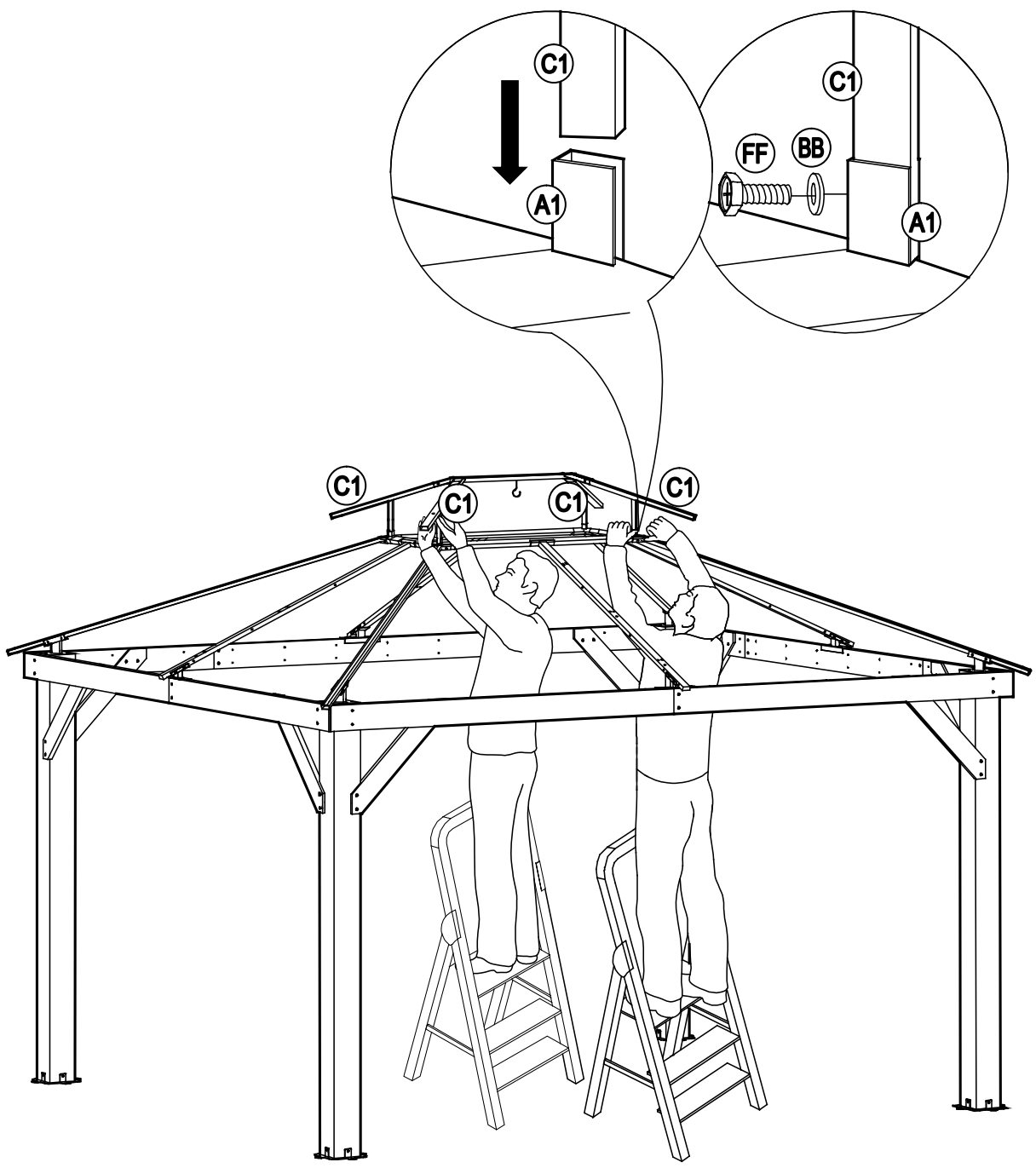
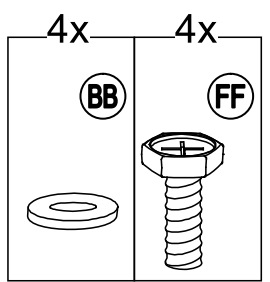
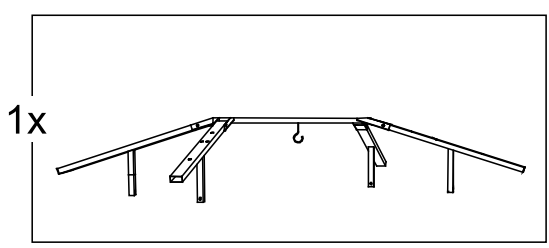
Install the Small top support (C1) & Beam Small top connector (D1) & Hook(E1).



13



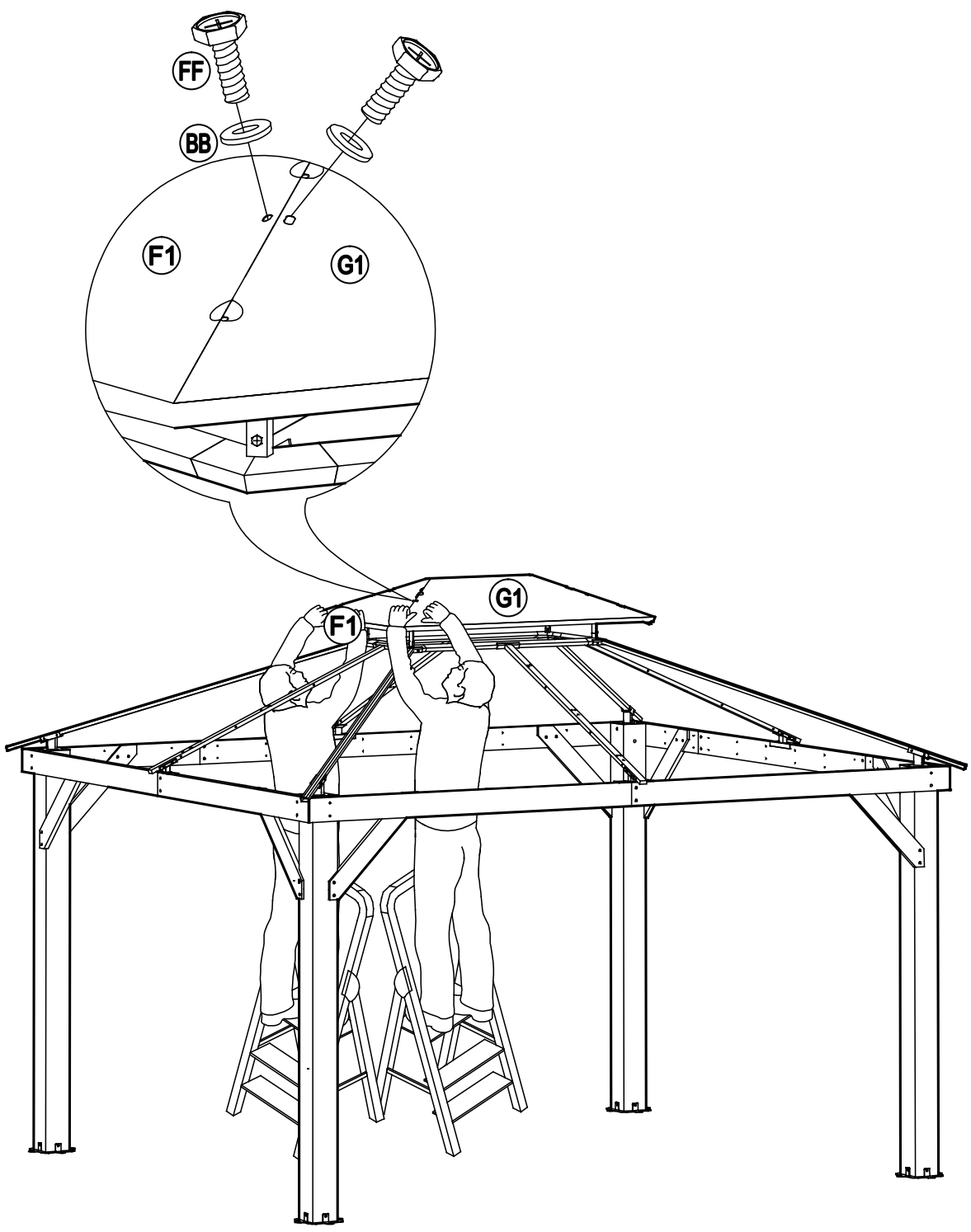
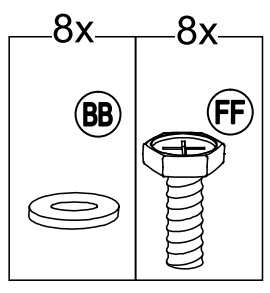
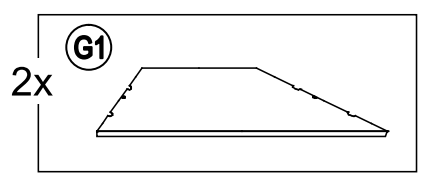
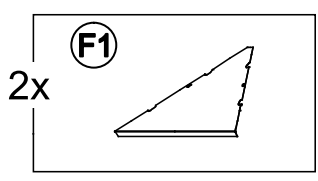
Connect the Installed 12 step to roof.



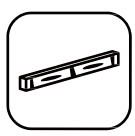
14



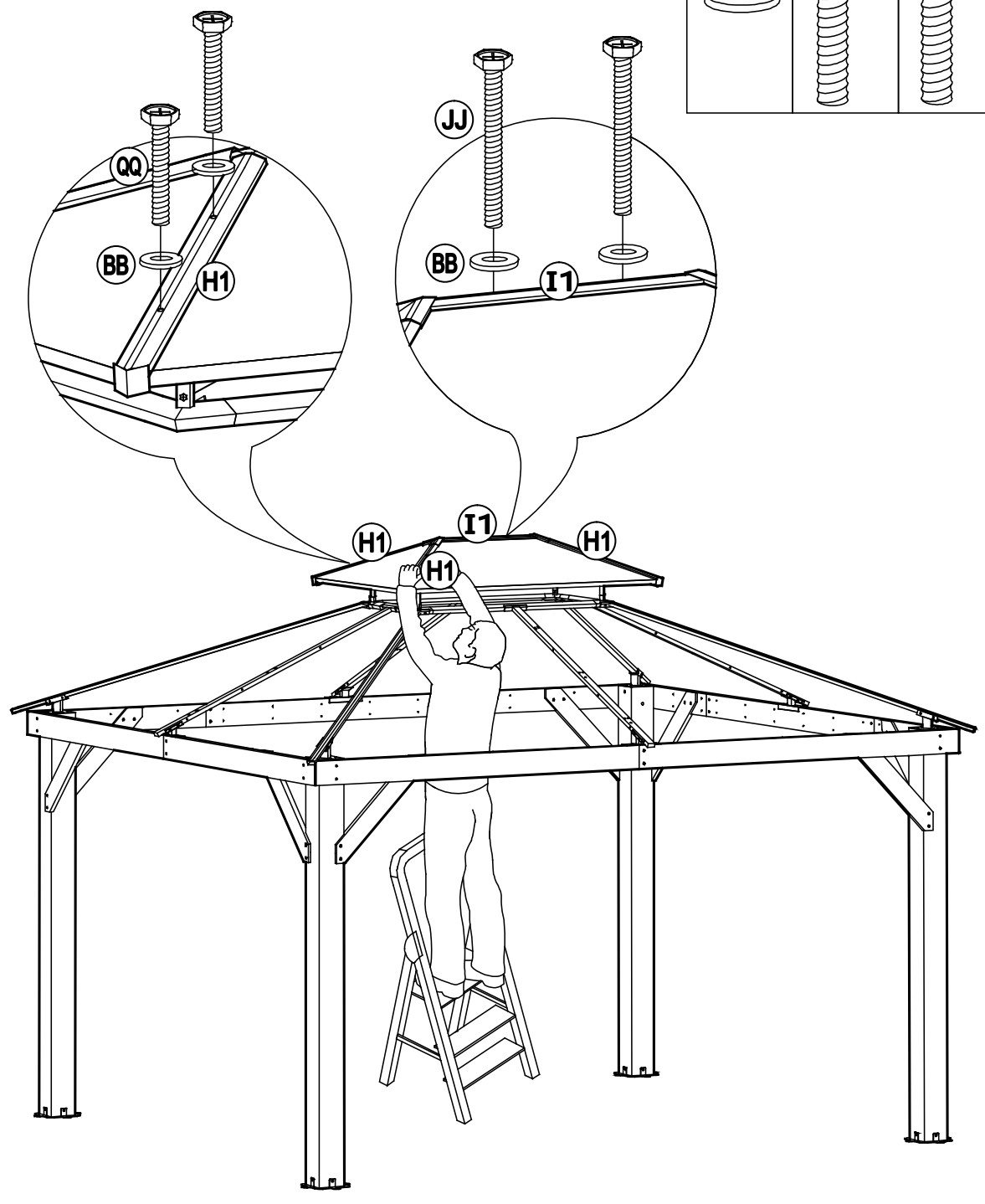
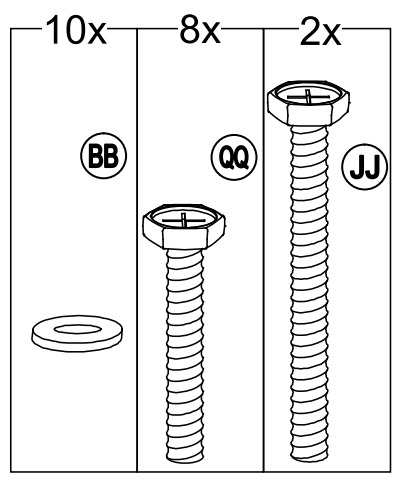
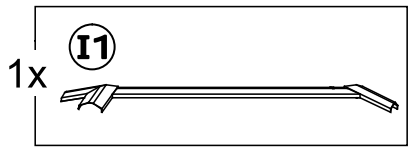
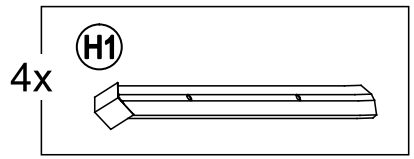
Install the Top roof small panel.



15



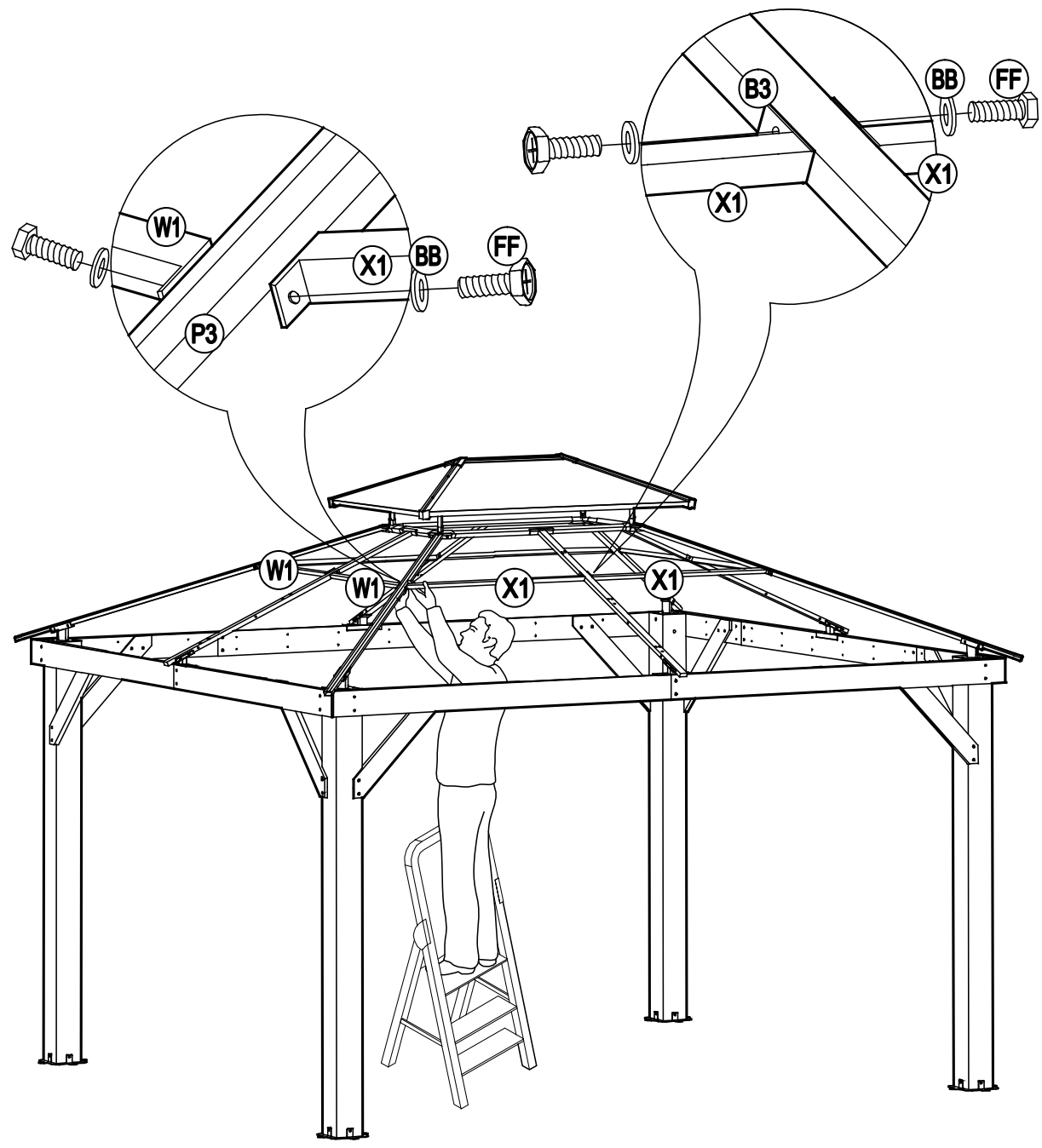
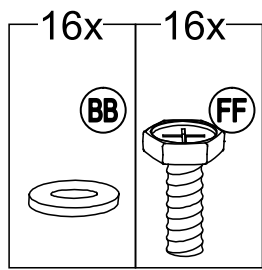
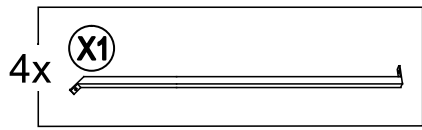
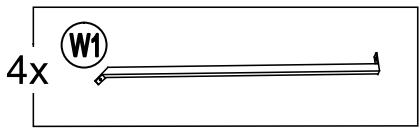
Install the Small top cover (H1) & Small top roof cover(I1).



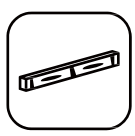
16



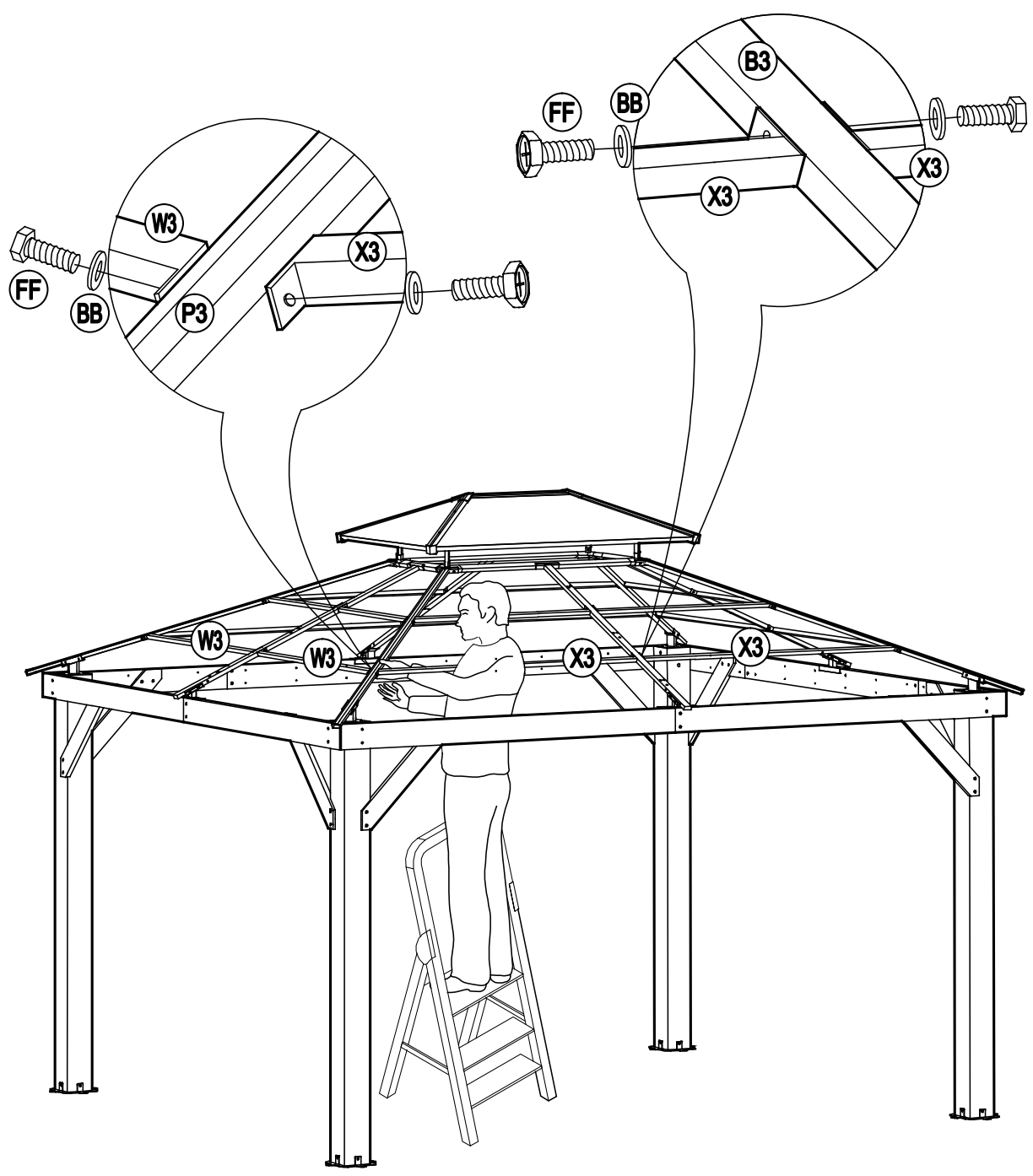
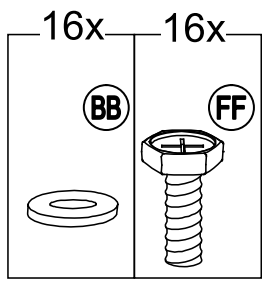
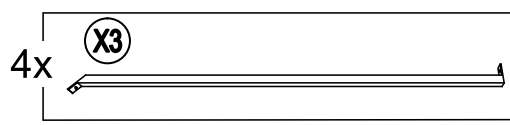
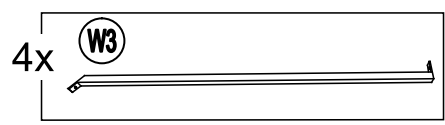
Install the Big roof top beam.



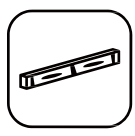
17



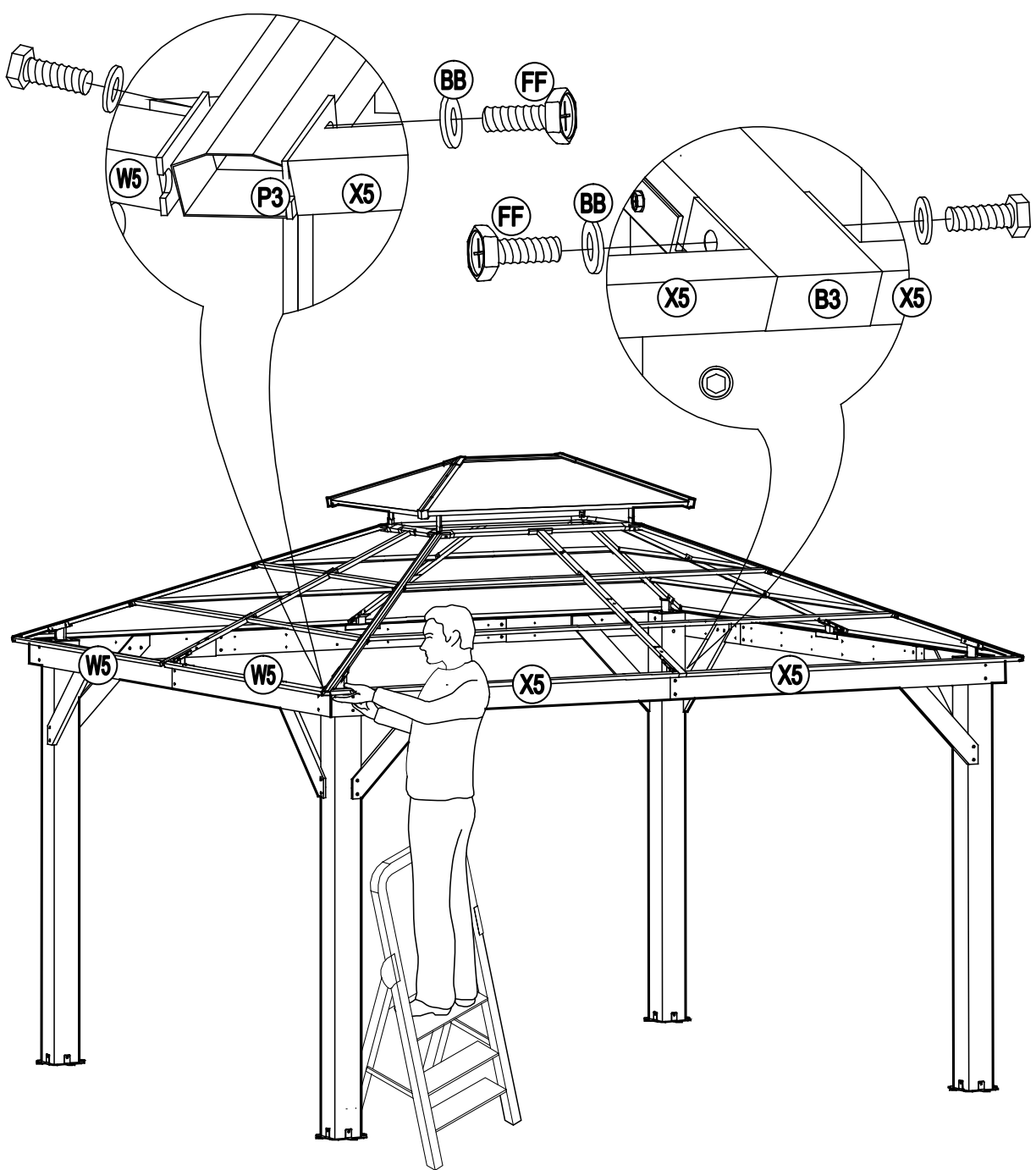
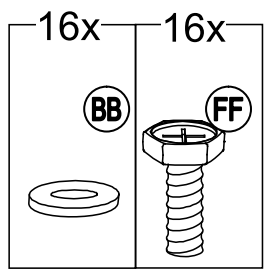
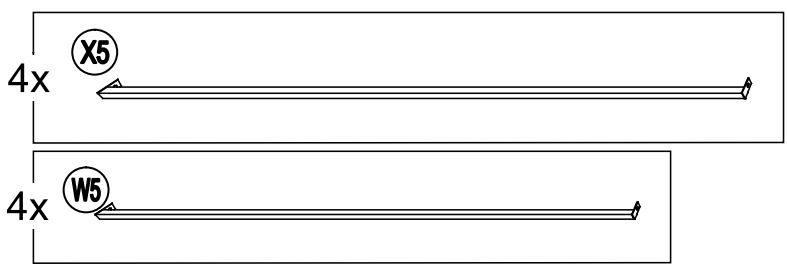
Install the Big roof top beam.



18

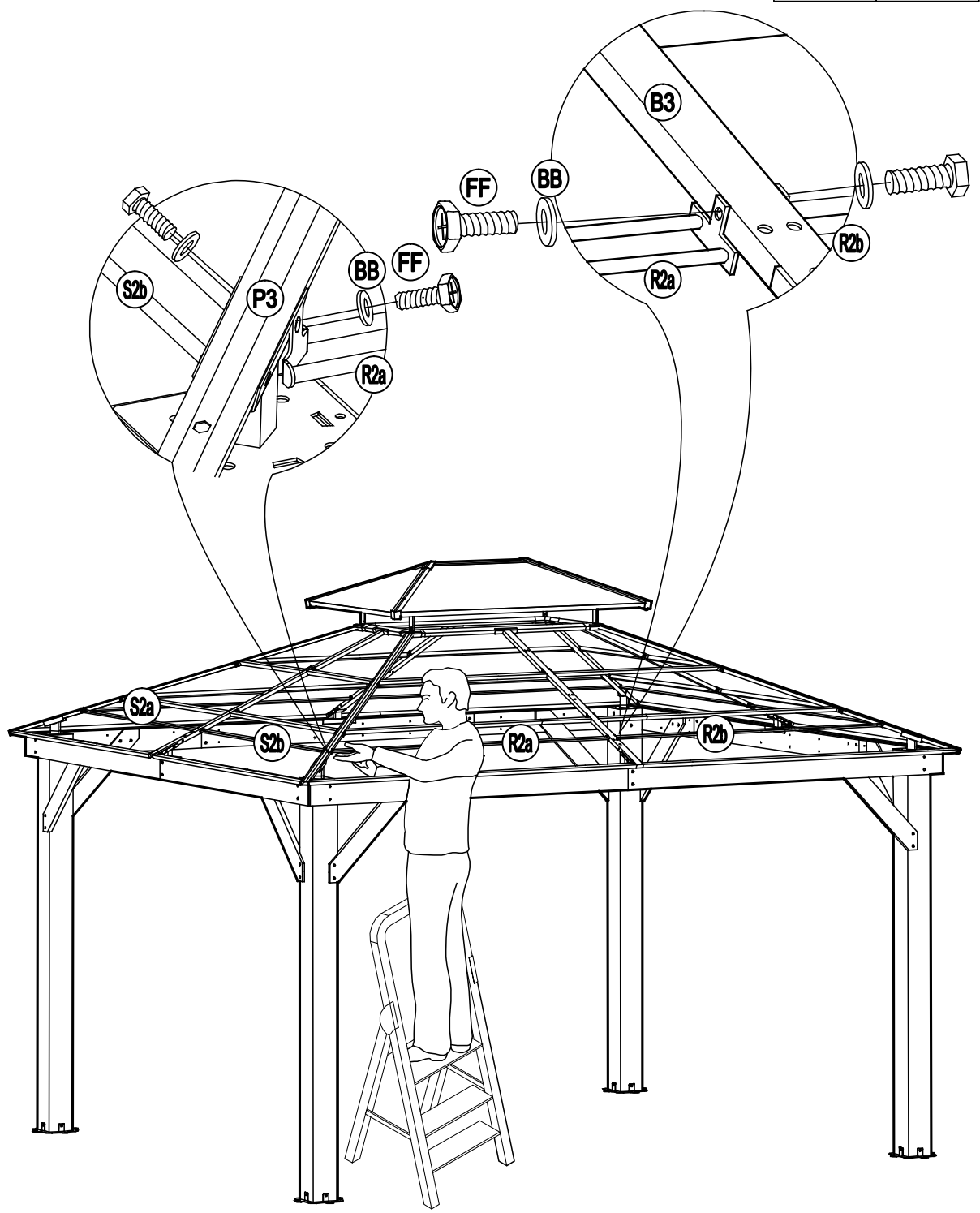
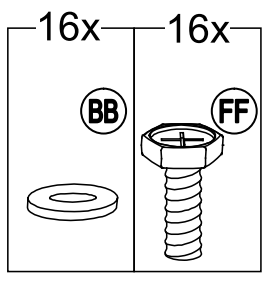
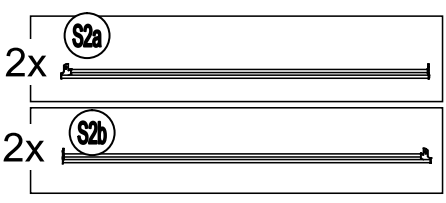
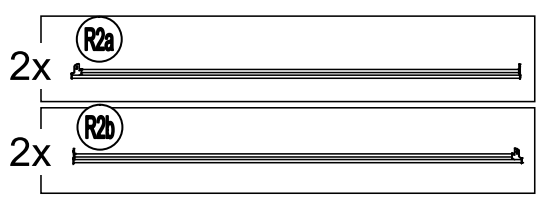


Install the Big roof top beam.



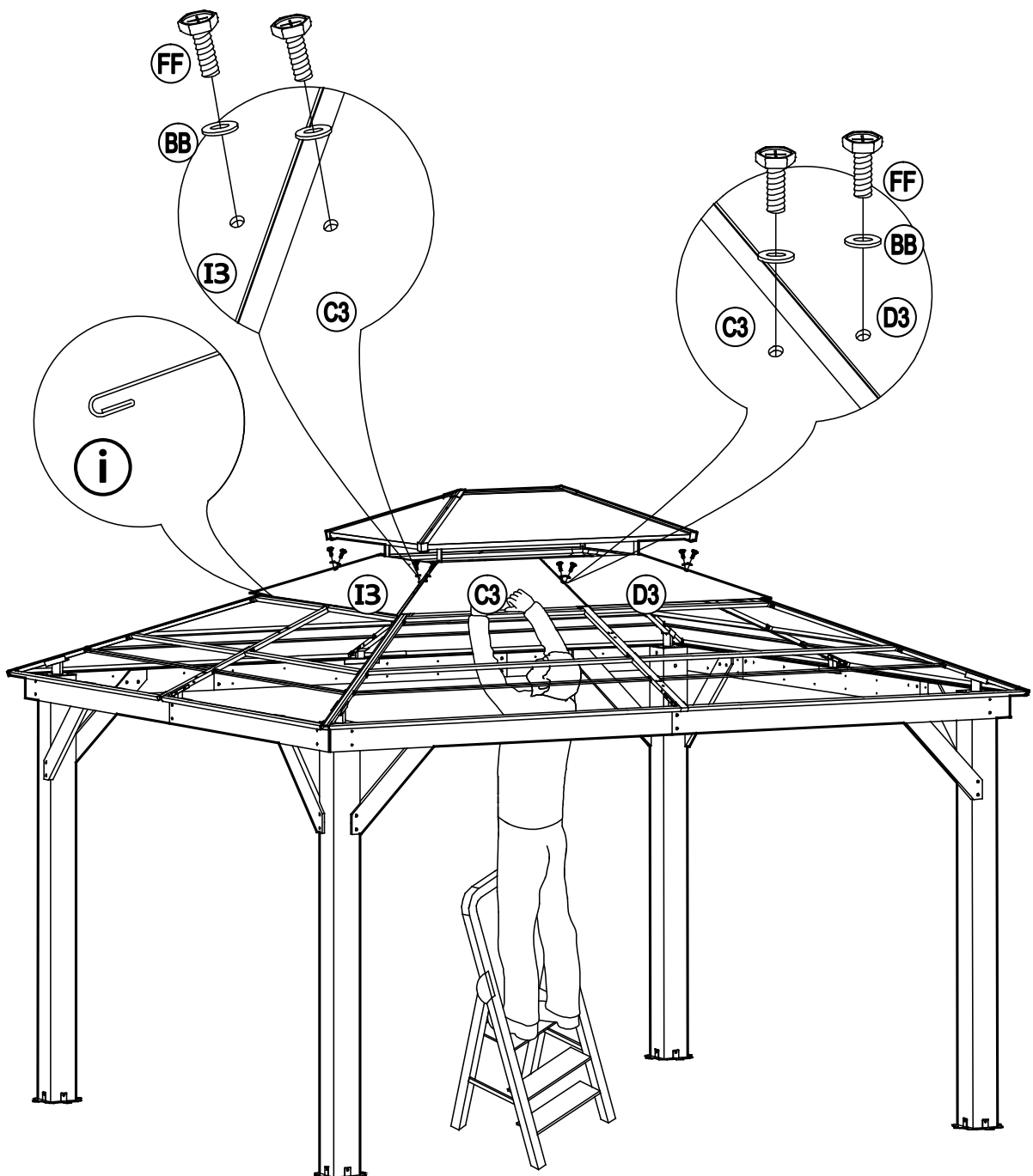
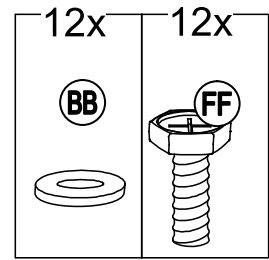
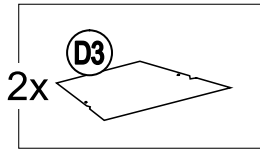
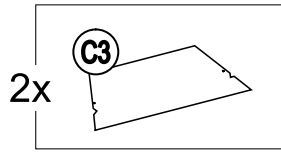
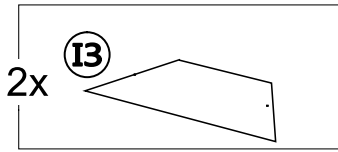
19

Install the Long pipe.



20

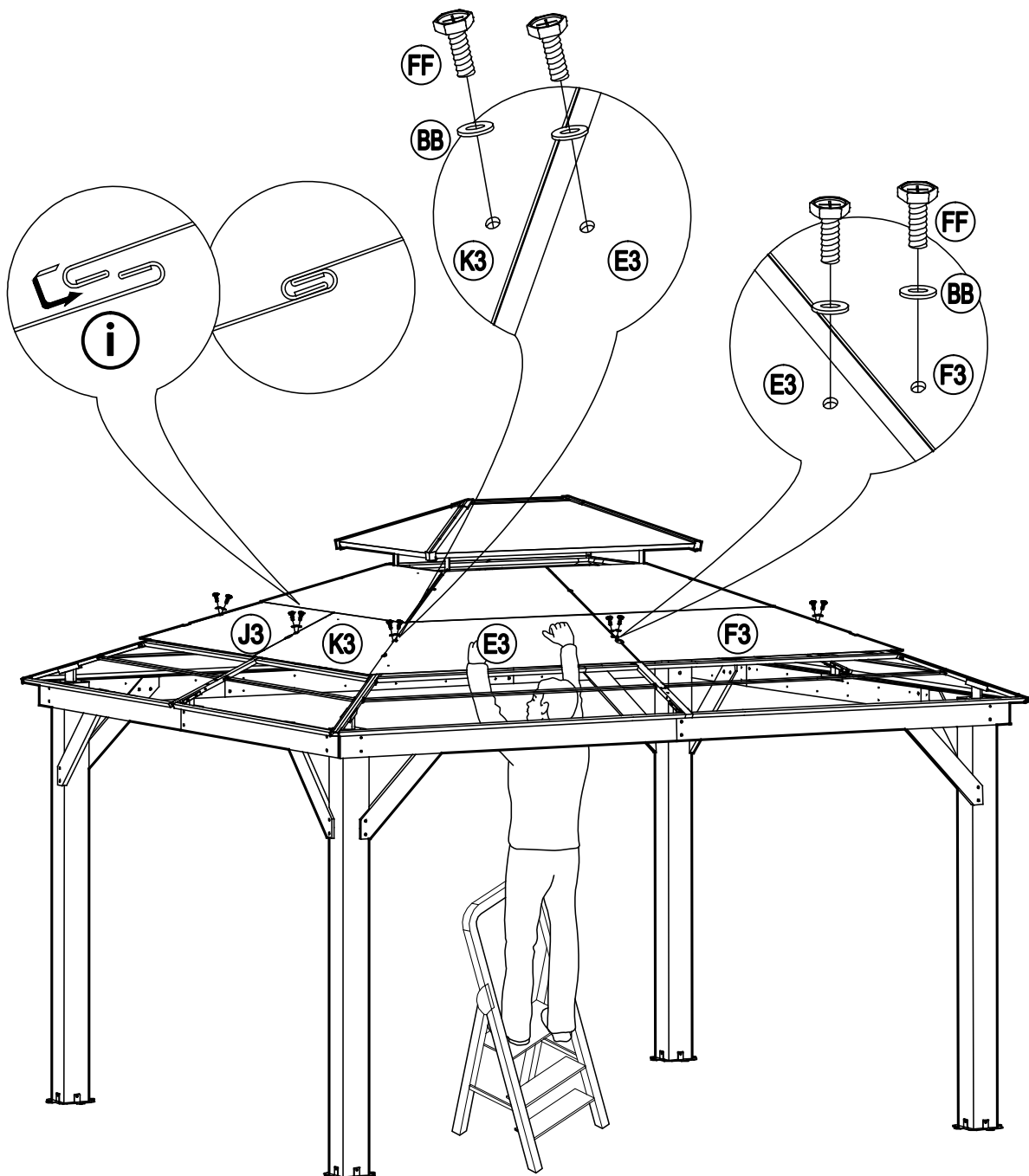
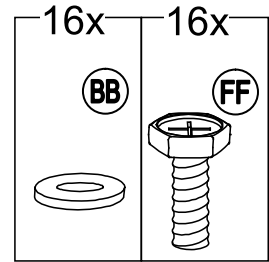
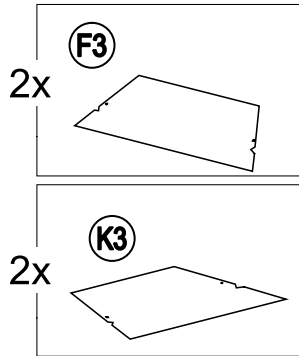
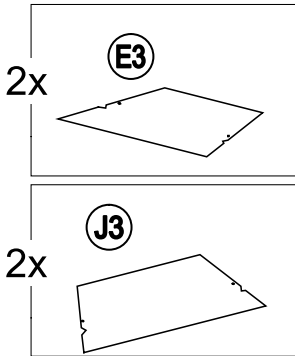
Install roof panel.



21



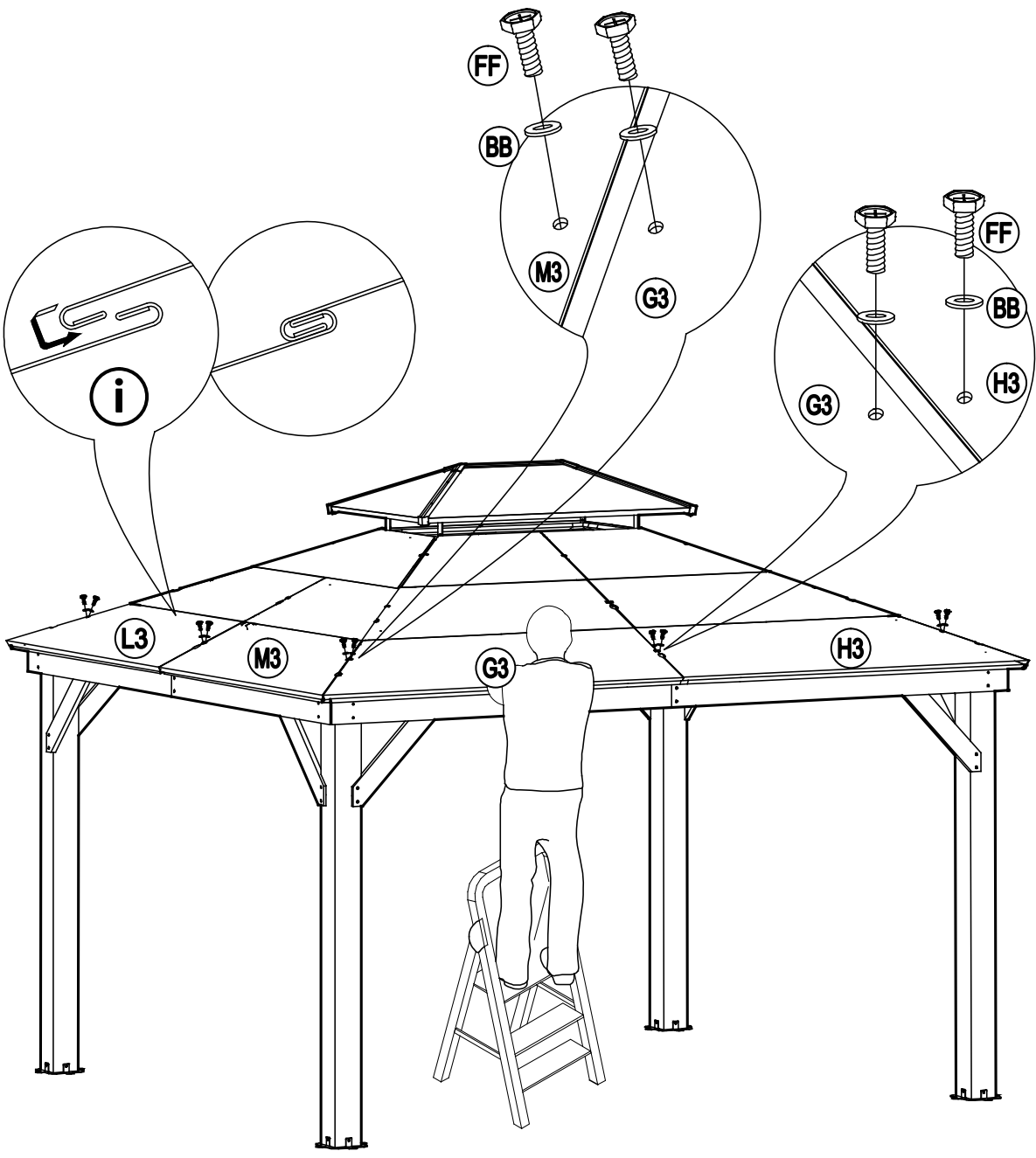
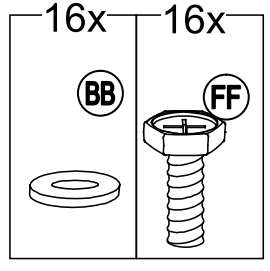
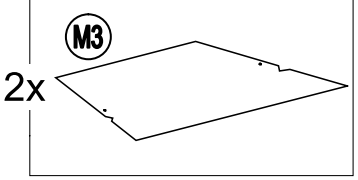
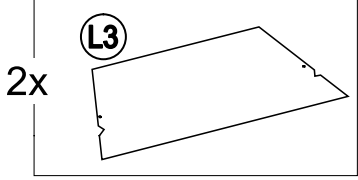
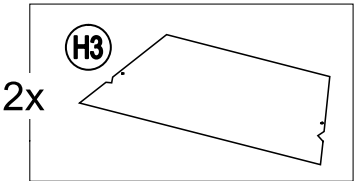
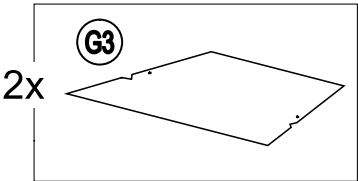
Install roof panel.



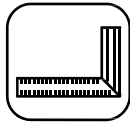
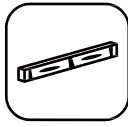
22



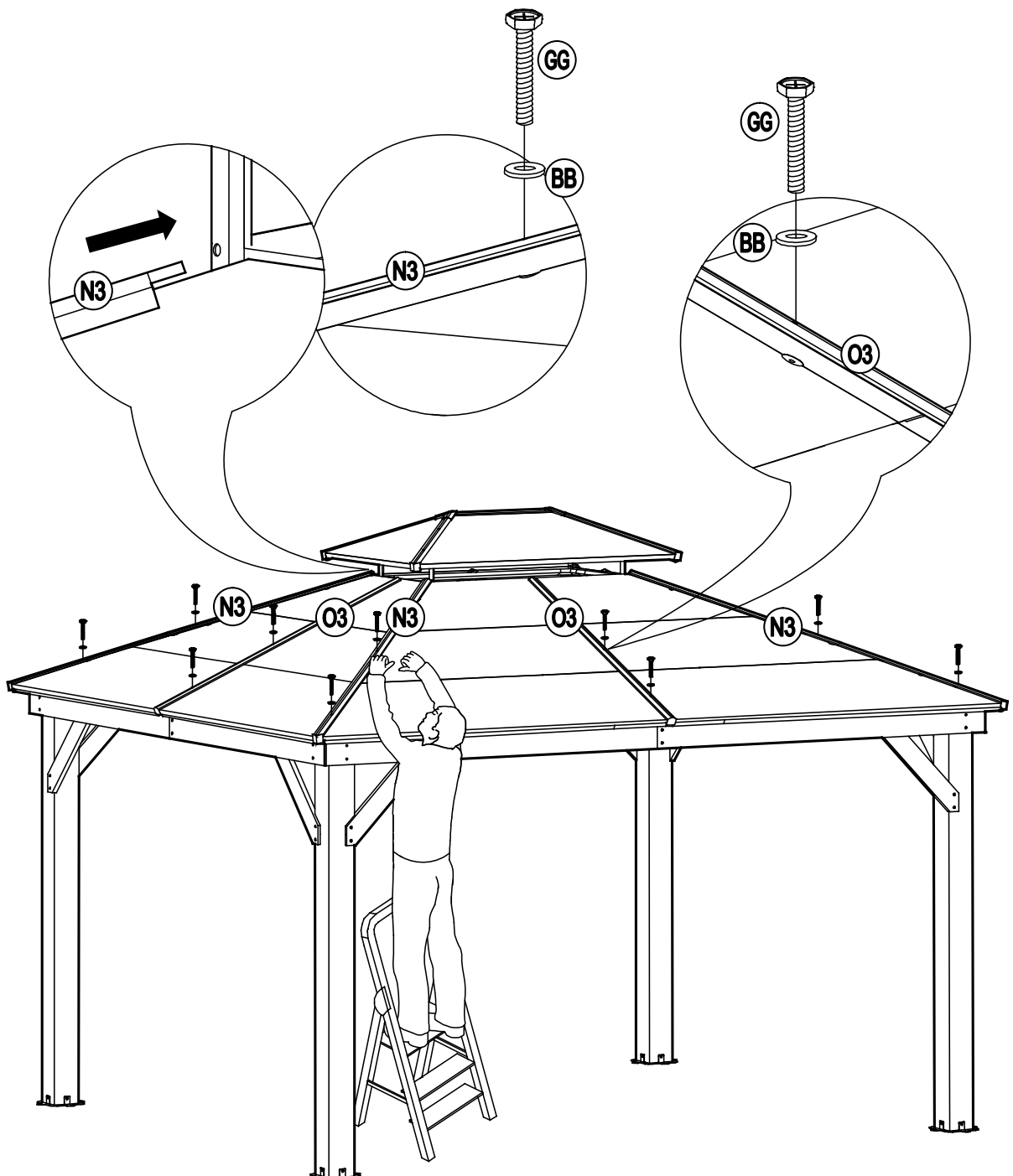
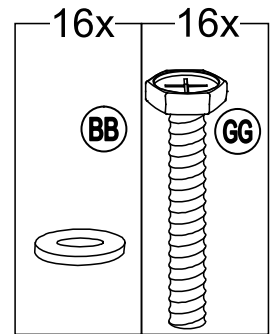
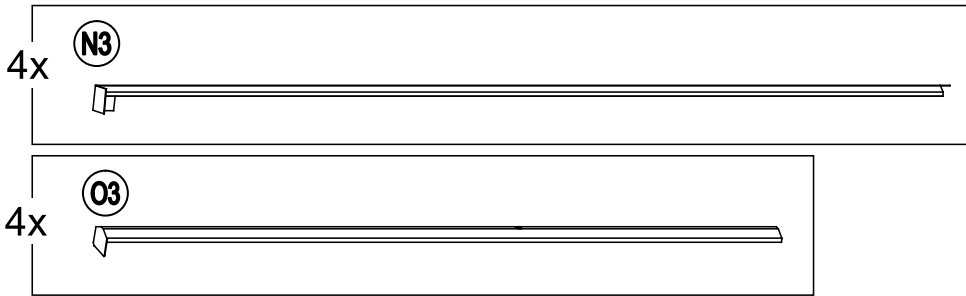
Install roof panel.



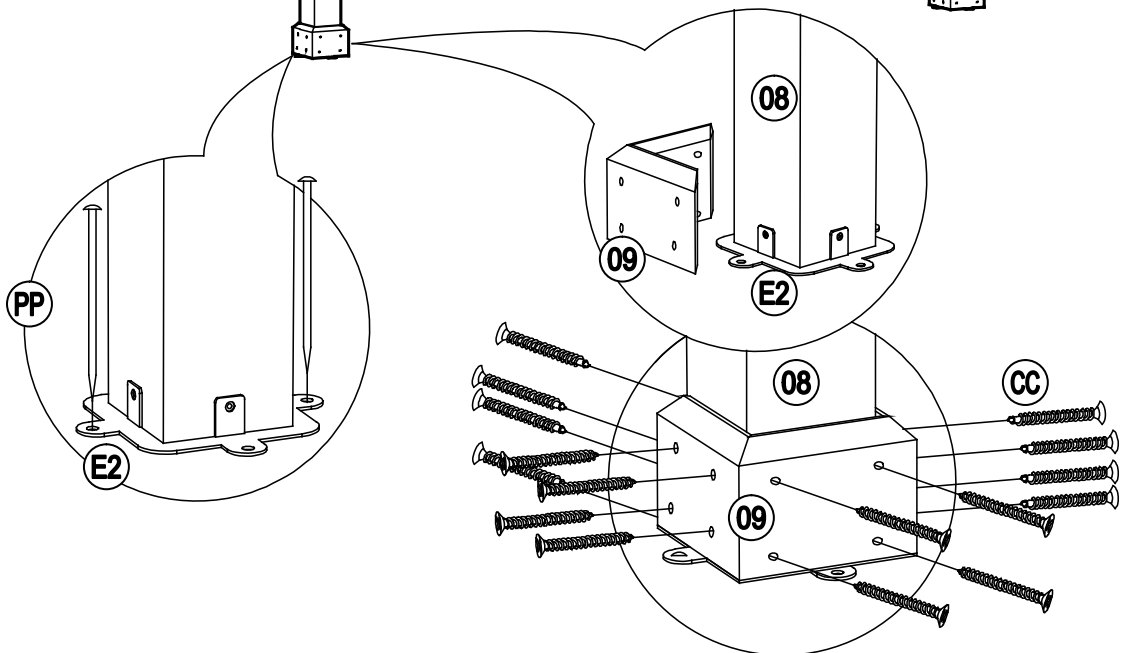
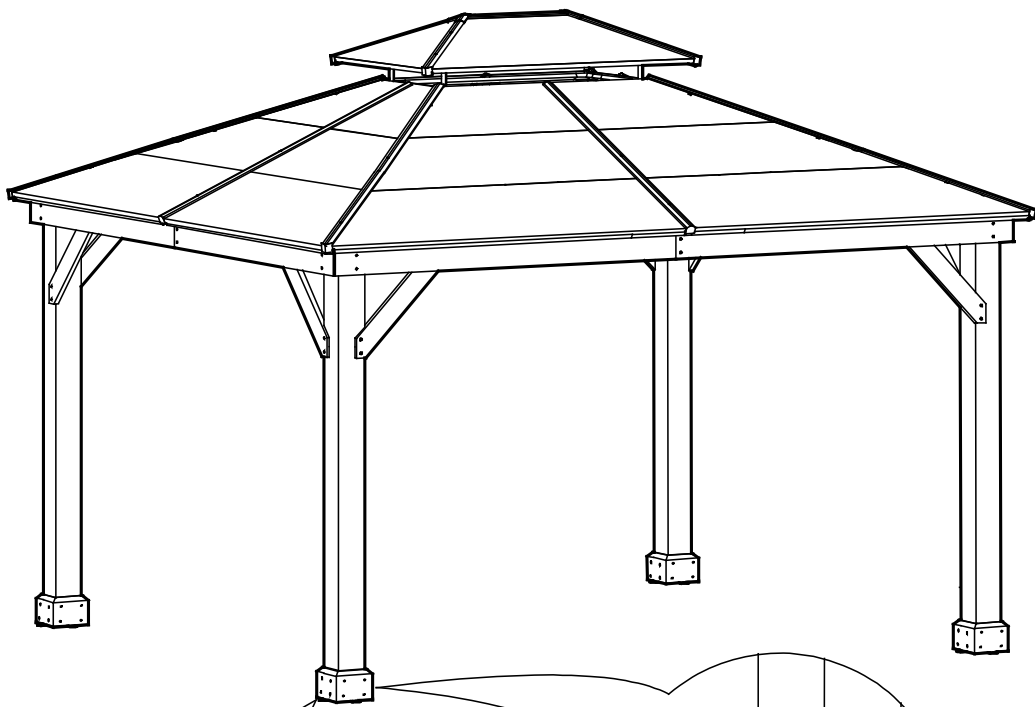
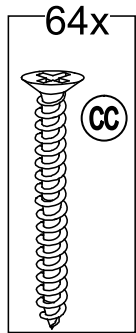
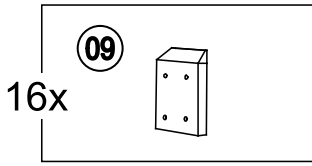
23



Install the Big roof panel cover (N3) & Top slanting bar (O3).



Secure the assembled gazebo to the lawn with the stakes (PP).



Cleaning and Maintenance

- Check all screws and nuts periodically for tightness, fastening them again as required.
- Disassemble the gazebo in the reverse order of the assembly steps. Always disassemble the gazebo completely. A partially disassembled gazebo is not stable enough to resist wind and bad weather, and therefore can be damaged and/or cause damage.
- Clean the gazebo with mild soap and water. Rinse thoroughly, and wait until the product is dry before reassembling it.
- Remove all excess snow from the roof.
- Do not use bleach, acid, or other abrasive cleaners on the canopies or frame parts.
- Steel components for this gazebo are treated with rust inhibiting paint. However, due to the nature of steel, surface oxidation (rusting) will occur if these protective coatings are scratched. This is not a defect and thus not covered by the warranty, to minimize this condition, it is recommended to use care when assembling and handling the product to prevent scratching the paint. Should any scratching or damage occur, it is recommended to cover the scratch immediately with rust inhibiting paint(not included). Surface rust can also be easily removed with a very light application of regular cooking oil or WD-40. If surface oxidation (rusting) occurs and if no measure is taken to prevent this, the oxidation may start dripping onto deck or patio and caused damaging stains, which may be difficult to remove. This can be prevented if the above-mentioned measures are taken to keep the product from oxidizing.
- Keep instruction manual for future reference.
- Keep the original packaging to store the gazebo.

Warranty

- Carefully check all packaging materials before discarding. Do not assemble if there are missing pieces. For comments or questions please contact BJ's Wholesale Club at 800-BJS-CLUB.
- Please do not return this product to the store. For technical assistance on assembly or replacement parts call Sunjoy Group at 1(866) 578-6569 anytime 24 hour /7 days a week or Email bj@sunjoygroup.com or visit www.sunjoyonline.com to place your order or fax your parts replacement order form together with your purchase receipt to 951-667-3447 for assistance.