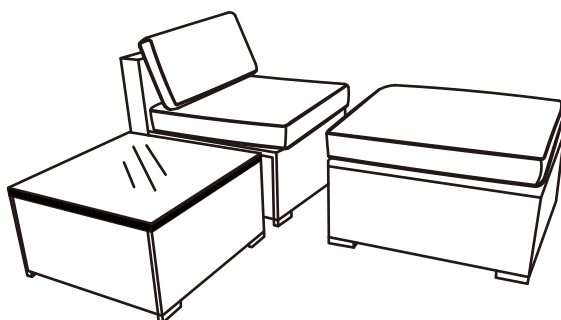


1xArmless Sofa+ 1xOttoman+1xTable





**IMPORTANT, RETAIN FOR
FUTURE REFERENCE:
READ CAREFULLY.**

Safety

- For domestic use only.
- Always use on firm level ground.
- Don't tighten all the bolts before the product is fully assembled.
- It would be useful to ask someone to help you assemble the product.
- Periodic structural checks of this product should be undertaken, do not use if you have any doubts about its fitness for purpose.
- Do not stand on the seat.
- Do not let children play with this product.
- Maximum load per seat: 250 lbs.

At the beginning of the season

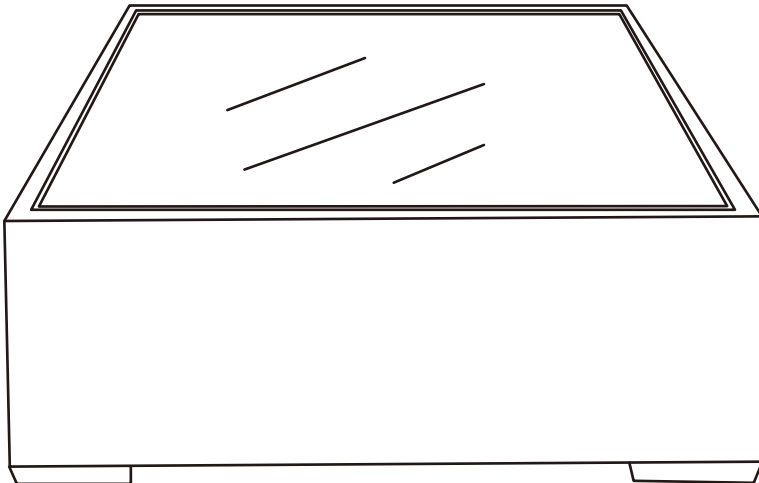
- Check to ensure that all components and fixings of this product are secure, do not use if you have any doubts about its fitness for purpose.

At the end of the season

- This product should be stored under cover during prolonged spells of adverse weather (wet or cold) and also during the winter (ideally in a garden shed or garage).
- Always clean and dry thoroughly before storage.

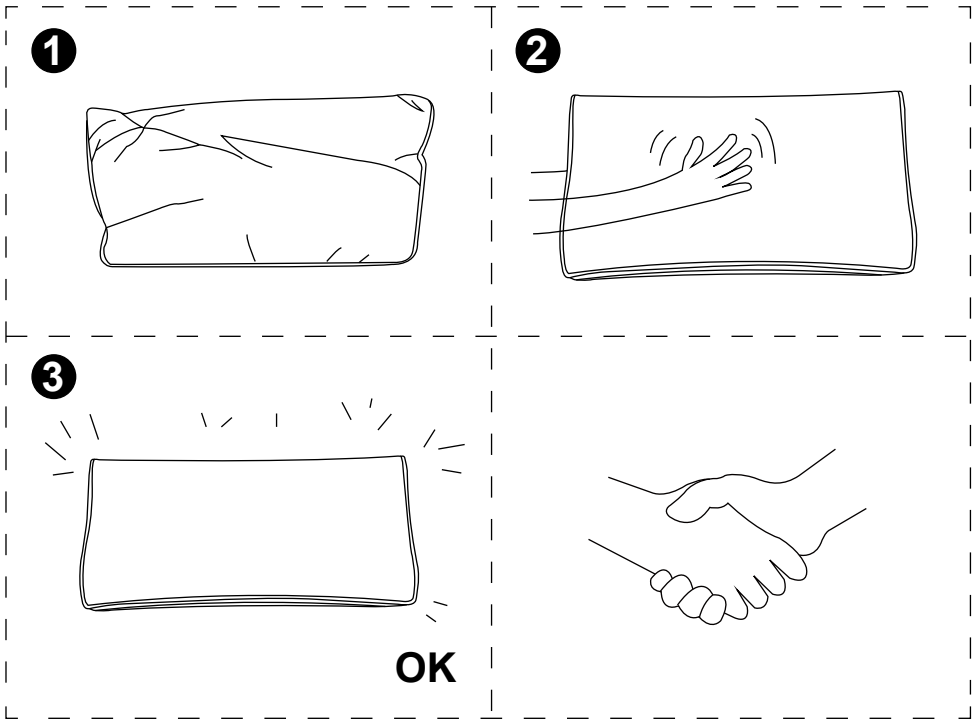
Safety for tempered glass

- ✓ If the glass is chipped or broken, stop using the table and consult us for help.
- ✓ Do not place very hot or very cold items on the glass surface unless adequately thick table mats are used to prevent such items from coming into contact with the glass.
- ✓ Do not sit or stand upon the glass surface.
- ✓ Do not use the glass as a chopping surface. Do not strike the glass with hard or pointed items.
- ✓ When moving the table, do so using 2 adults and hold the frame tight to prevent the glass from falling out.

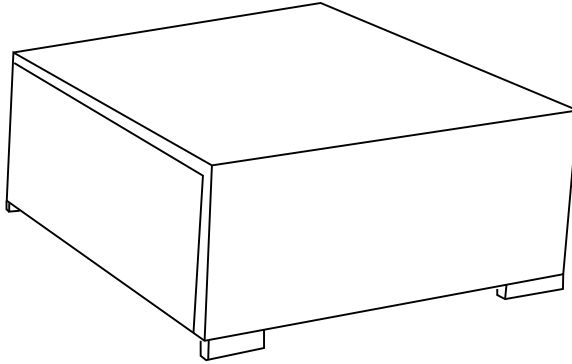


Tips for Cushions

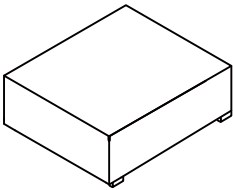
In order to compress the package, we put the cushions in the gap of some parts. So there may be crinkle on the fabric. Don't worry. Just flap every corner of the cushion evenly and it will get back into its original shape soon.



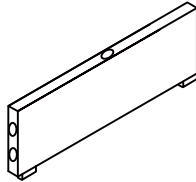
Ottoman



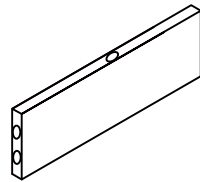
ASSEMBLY PARTS LIST



(H)x1 Top Panel



(O)x1 Side Panel



(P)x1 Side Panel

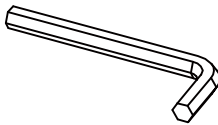


x8



x8

M6x35 Bolt/Washer 8pcs



(L)x1 Hex Wrench



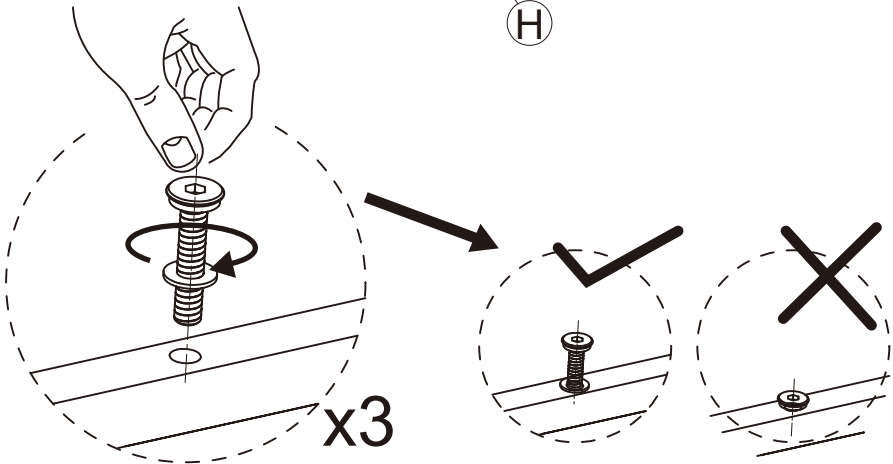
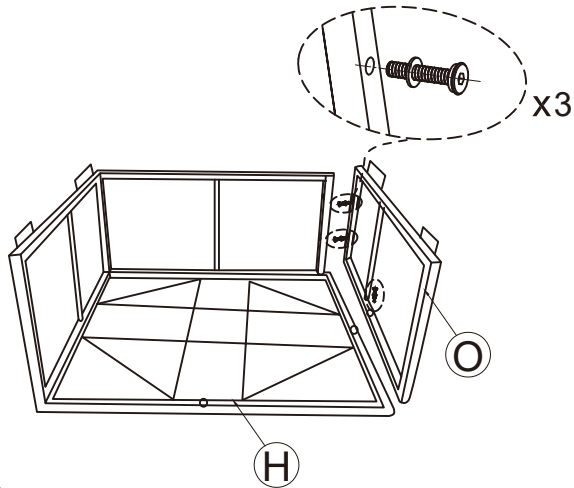
Important:

Hand tighten all the bolts to line up all the pieces .
Then tighten all the bolts down.

ASSEMBLY STEPS

1

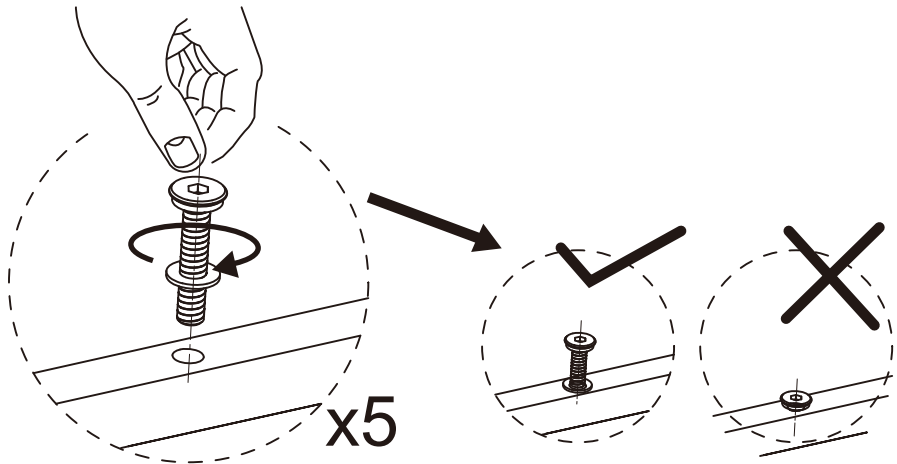
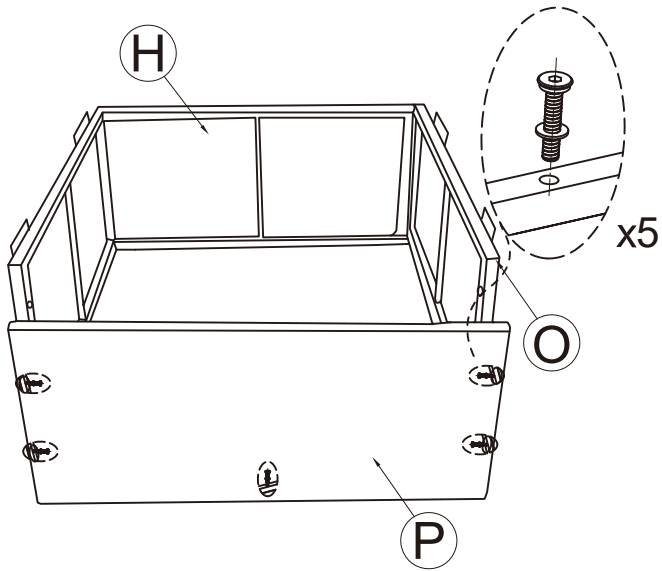
Attach the top panel (H) to the side panel (O) with bolts (M6X35) and washers. Do this in 3 places.



NOTE: DO NOT TIGHTEN THE BOLTS COMPLETELY.

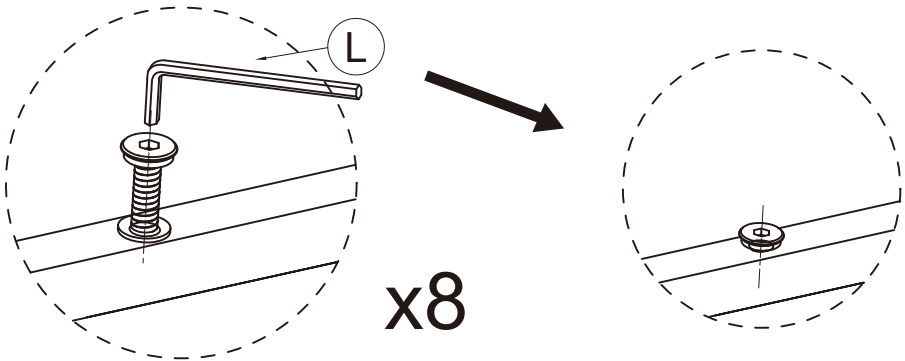
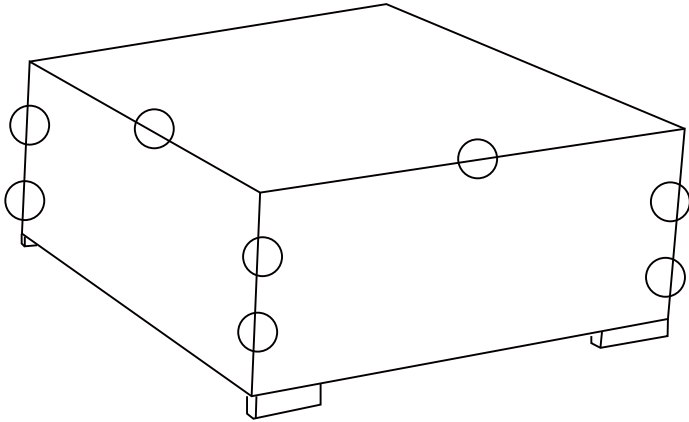
2

Attach the side panel (P) to the top panel (H) & side panel (O) with bolts (M6X35) and washers. Do this in 5 places.



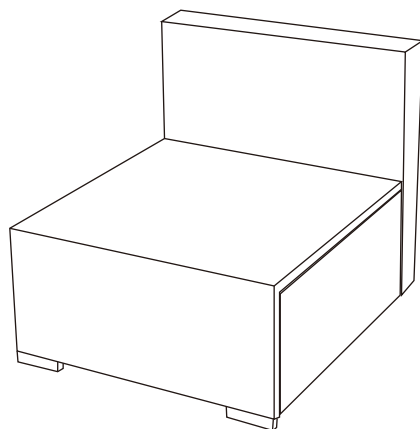
NOTE: DO NOT TIGHTEN THE BOLTS COMPLETELY.

3 Tighten all 8 Bolts into place with Allen Key (L).

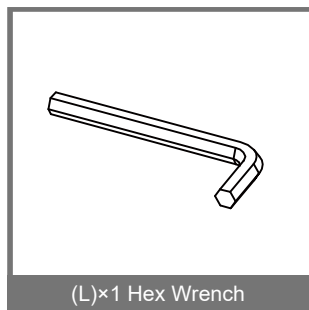
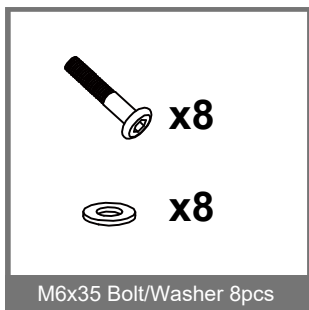
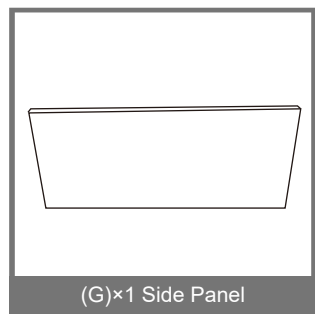
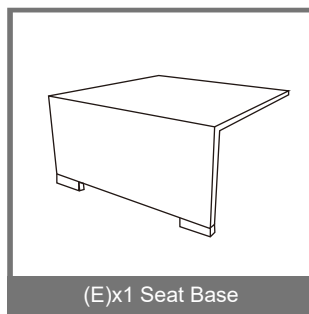
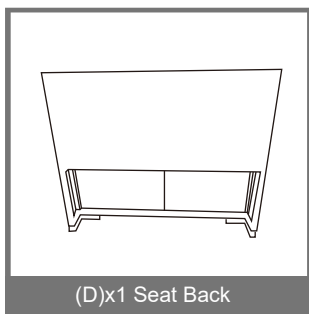


NOTE:IF ANY BOLT HOLES CANNOT BE ALIGNED,
LOOSEN ALL THE BOLTS AND GO BACK STEP
1 AND RESTART ASSEMBLY.

Armless Sofa



ASSEMBLY PARTS LIST



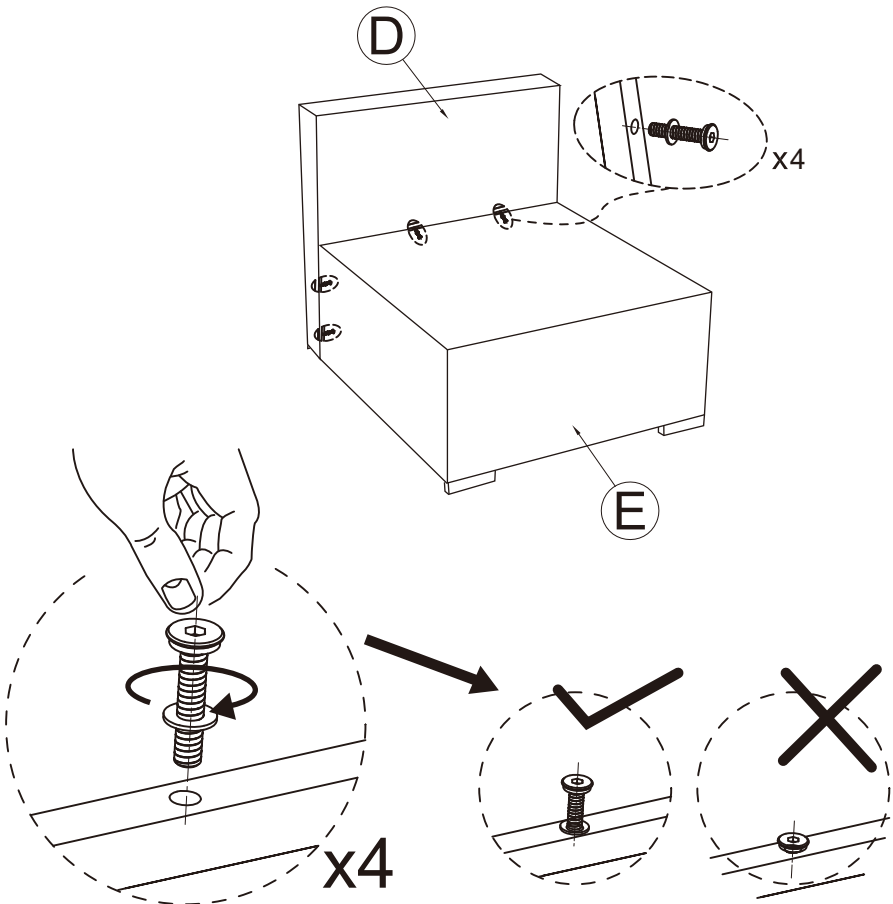


Important:

Hand tighten all the bolts to line up all the pieces .
Then tighten all the bolts down.

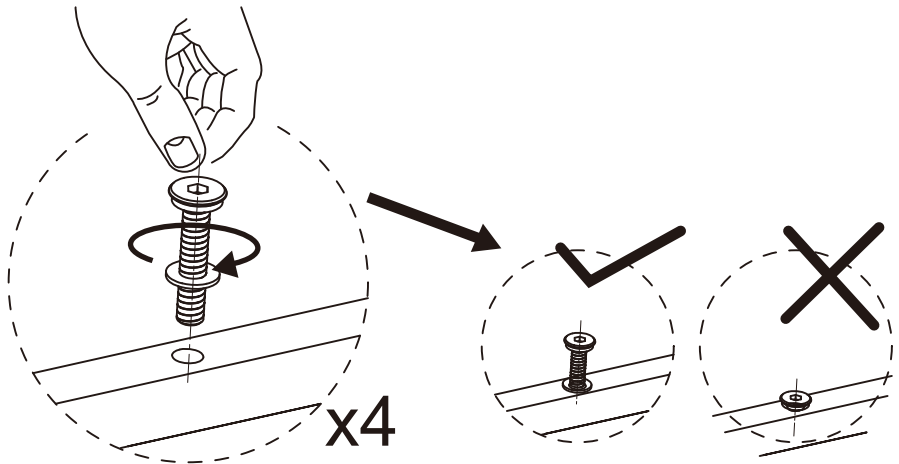
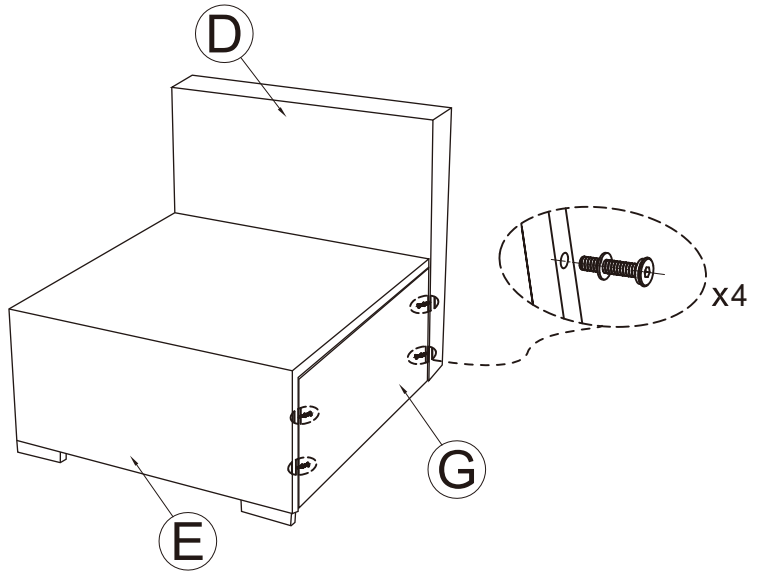
ASSEMBLY STEPS

- 1 Attach the seat back (D) to the seat base (E) with bolts (M6X35) and washers. Do this in 4 places.



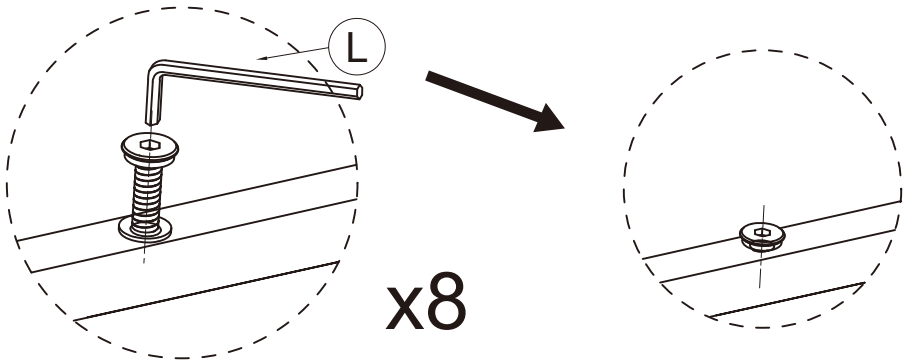
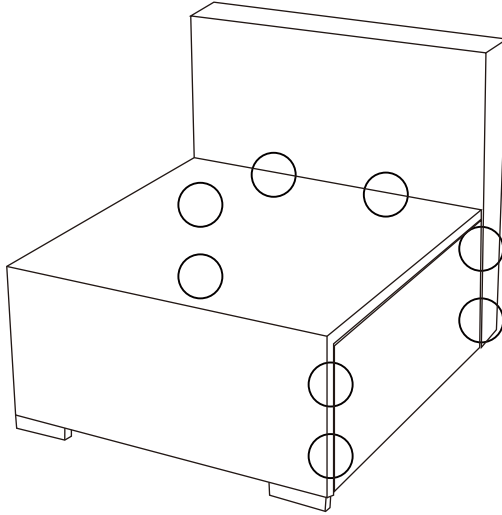
NOTE: DO NOT TIGHTEN THE BOLTS COMPLETELY.

- 2** Attach the side panel (G) to the seat back (D) and seat base (E) with bolts (M6X35) and washers. Do this in 4 places.



NOTE: DO NOT TIGHTEN THE BOLTS COMPLETELY.

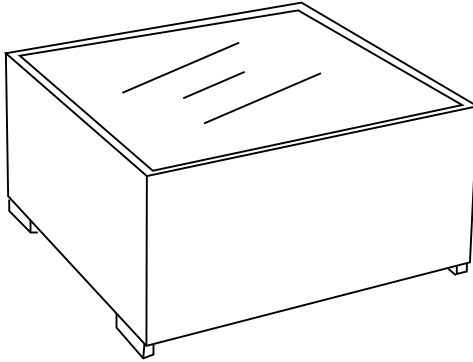
3 Tighten all 8 Bolts into place with Allen Key (L).



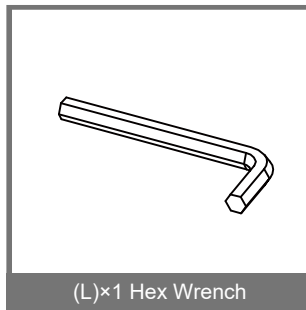
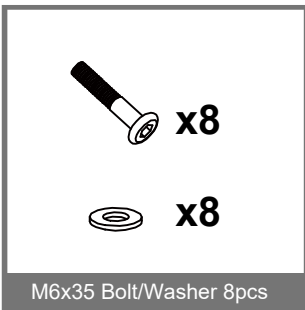
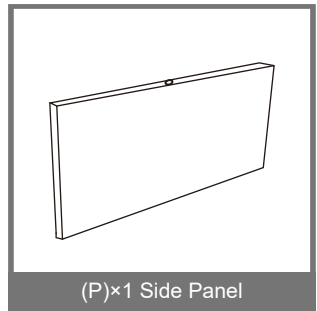
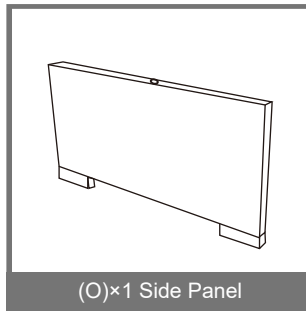
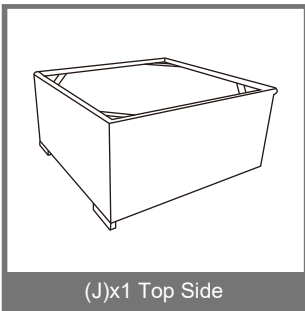
x8

NOTE: IF ANY BOLT HOLES CANNOT BE ALIGNED,
BOLTS LOOSEN ALL THE BOLTS AND GO BACK STEP
1 AND RESTART ASSEMBLY.

Table



ASSEMBLY PARTS LIST



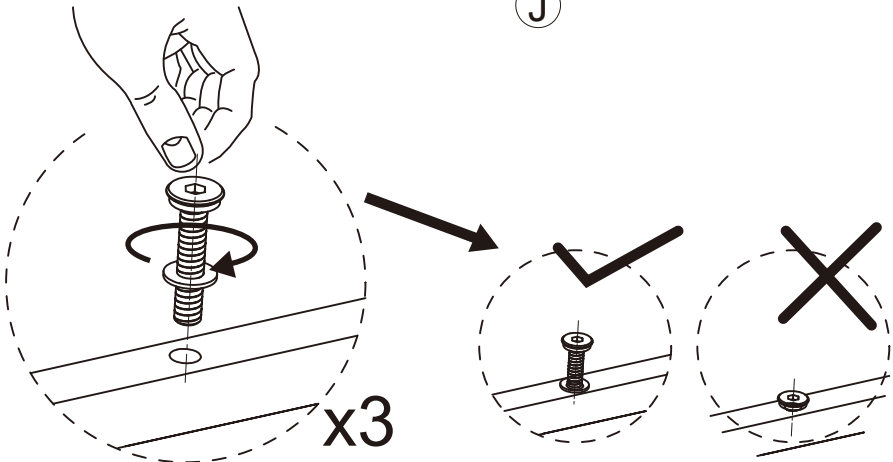
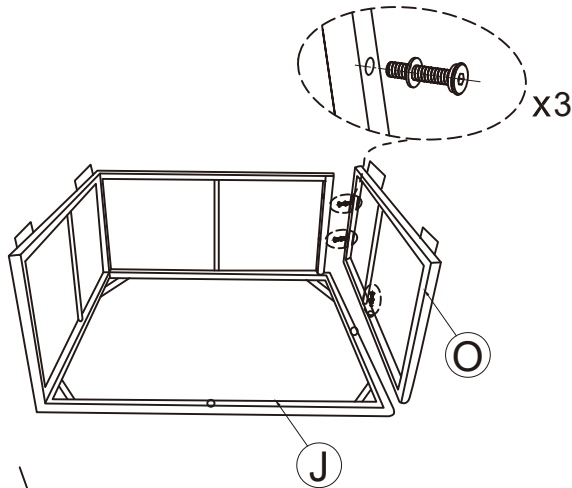


Important:

Hand tighten all the bolts to line up all the pieces .
Then tighten all the bolts down.

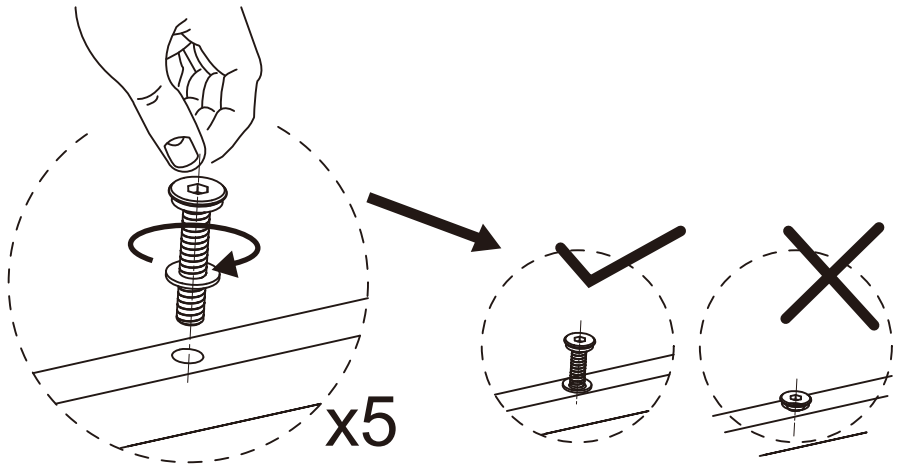
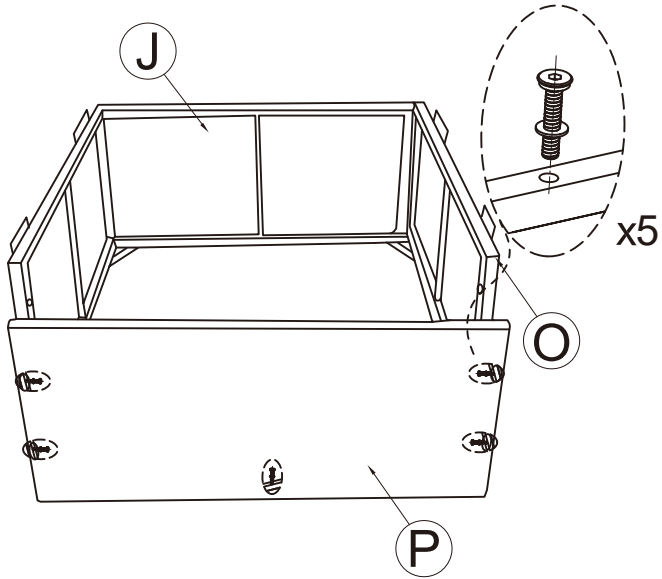
ASSEMBLY STEPS

- 1 Attach the side panel (O) to the top side (J) with bolts (M6X35) and washers. Do this in 3 places.



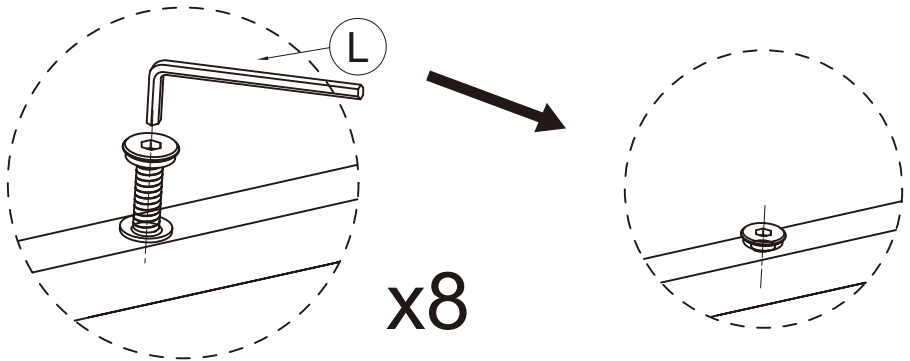
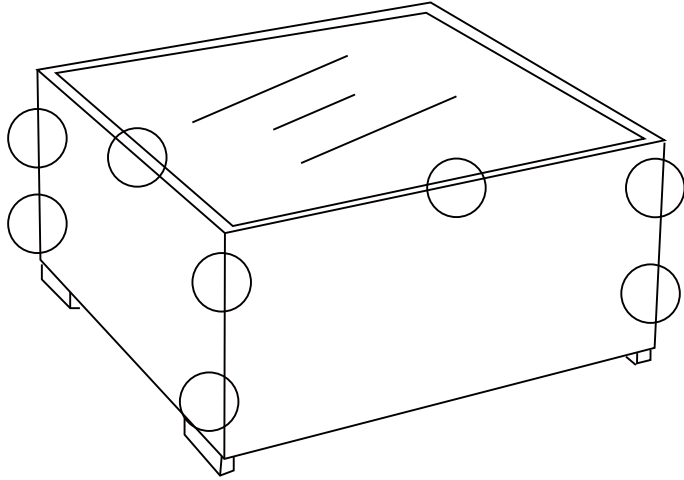
NOTE: DO NOT TIGHTEN THE BOLTS COMPLETELY.

- 2** Attach the side panel (P) to the side panel (O) and top side (J) with bolts (M6X35) and washers. Do this in 5 places.



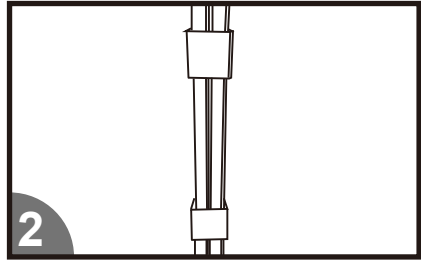
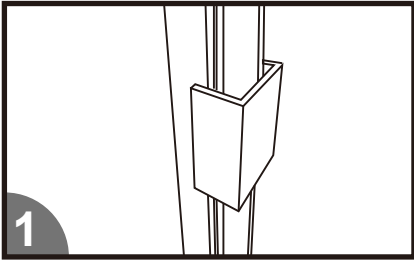
NOTE: DO NOT TIGHTEN THE BOLTS COMPLETELY.

3 Tighten all 8 Bolts into place with Allen Key (L).



NOTE:IF ANY BOLT HOLES CANNOT BE ALIGNED,
LOOSEN ALL THE BOLTS AND GO BACK STEP
1 AND RESTART ASSEMBLY.

SECTIONAL SOFA CONNECTOR MANUAL



-
- Sectional outdoor wicker patio sofa is very light weight in nature and subject to movement.
 - These high quality fasteners prevents movement between modules to maintain the aesthetically good look of your modular patio furniture set.
 - Two fasteners are recommended between Two adjoining module.