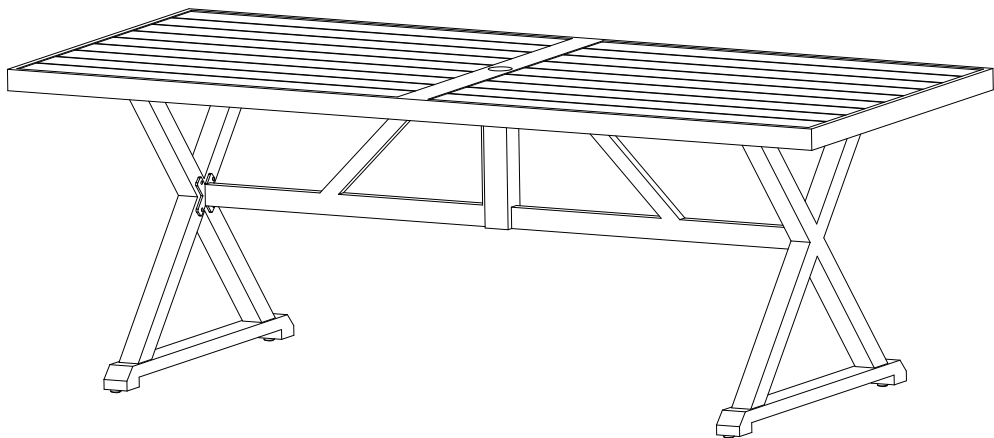




# Outdoor Dining Table

## Model#:970423



**Read the instructions before use of this product.**

Please keep this instruction manual for future reference.

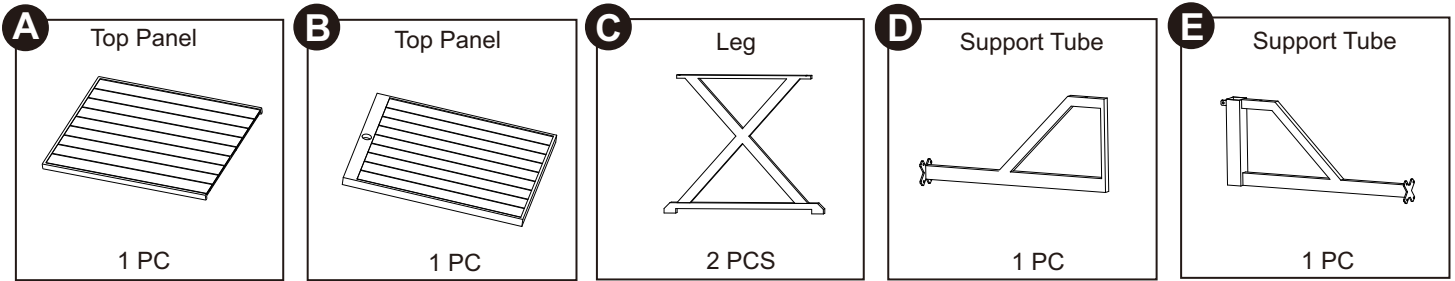
## ⚠ NOTICE

- Please keep children away during assembly. This item contains small parts that can be dangerous for children. Children should always be under direct adult supervision while using this product.
- Do not discard any of the packaging until you have checked that you have all of the parts and fittings required.
- Carefully remove the contents from the package. If any parts are missing, broken, damaged, do not attempt to use the product until they have been obtained.
- Make sure that each bolt needed for all steps matches the corresponding figure ensure proper assembly.
- Please do not exceed the weight limitations of this item.
- Do not stand on or use any part of this item as a step ladder.
- Firmly secure all bolts, screws and knobs before use.
- Be aware that some parts are heavy and have sharp edges.
- Do not use or store this item in the proximity of open flame or flammable/combustible chemicals.

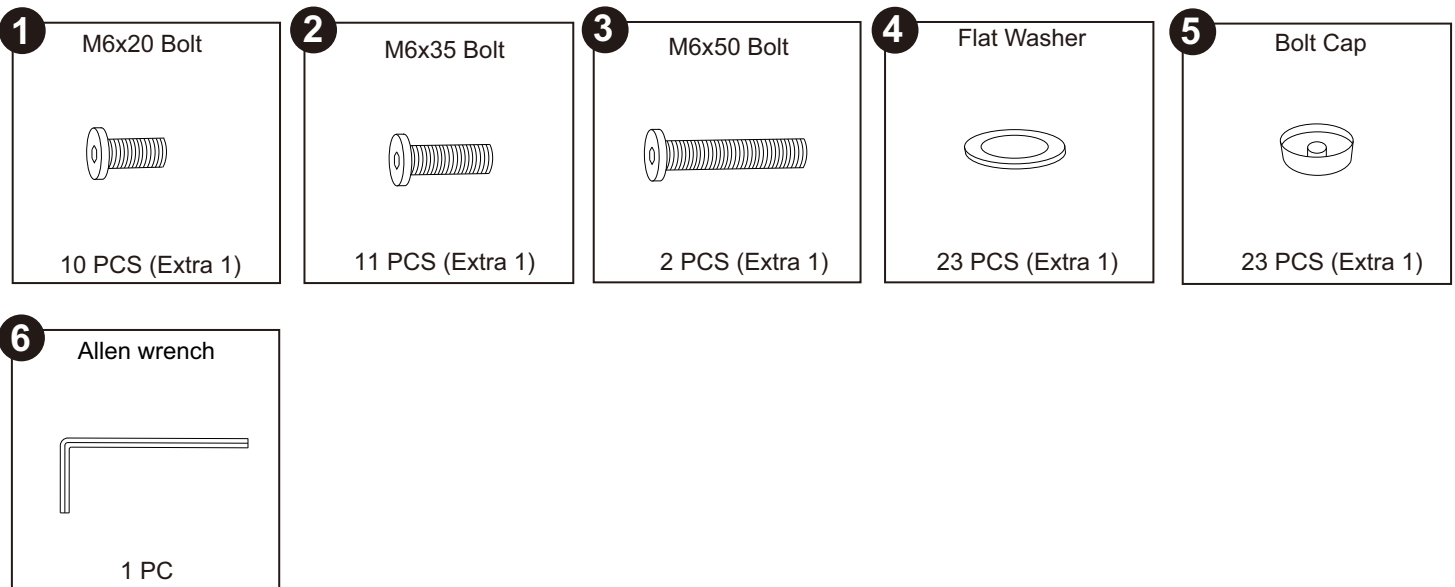
## CLEANING AND MAINTENANCE

- Clean frame with mild soapy water, rinse thoroughly. Dry frame parts completely. Do not use bleach, acid, or other solvents on the fabric and metal parts.
- If outdoor furniture is caught during a sudden rain storm, please make sure to drain any water that may have accumulated inside the frame and dry completely.
- We recommend the use of furniture covers to protect when not in use, and store properly during inclement weather and the winter/rainy seasons.
- Inspect and tighten all bolts on a regular basis to ensure proper performance and safety.
- In order to prolong the life and beauty of your outdoor furniture, we recommend storing it in a dry and protective area during off season periods.

## PARTS

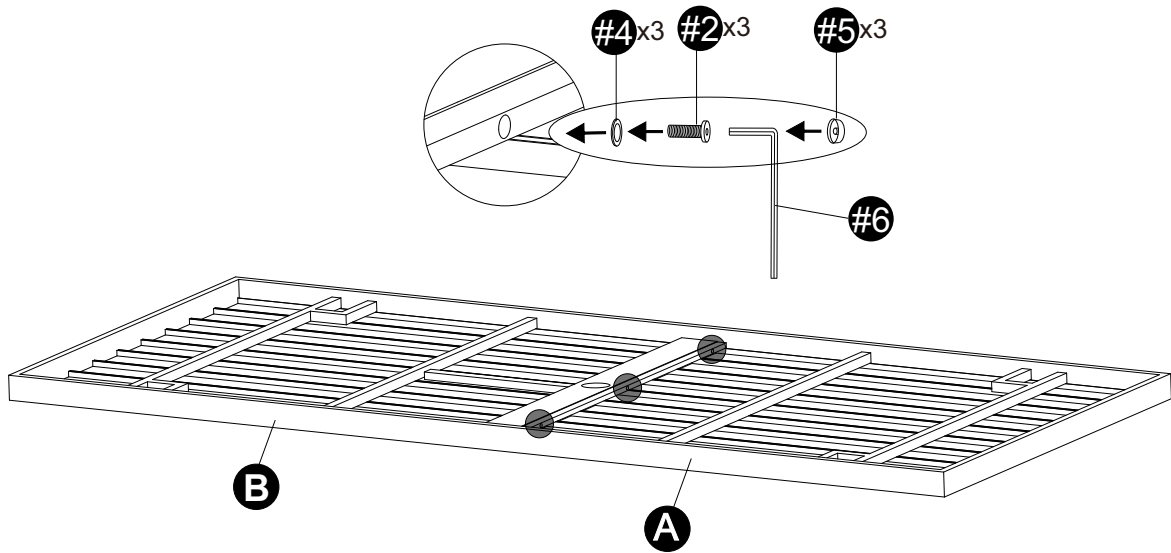


## HARDWARE



**PARTS**

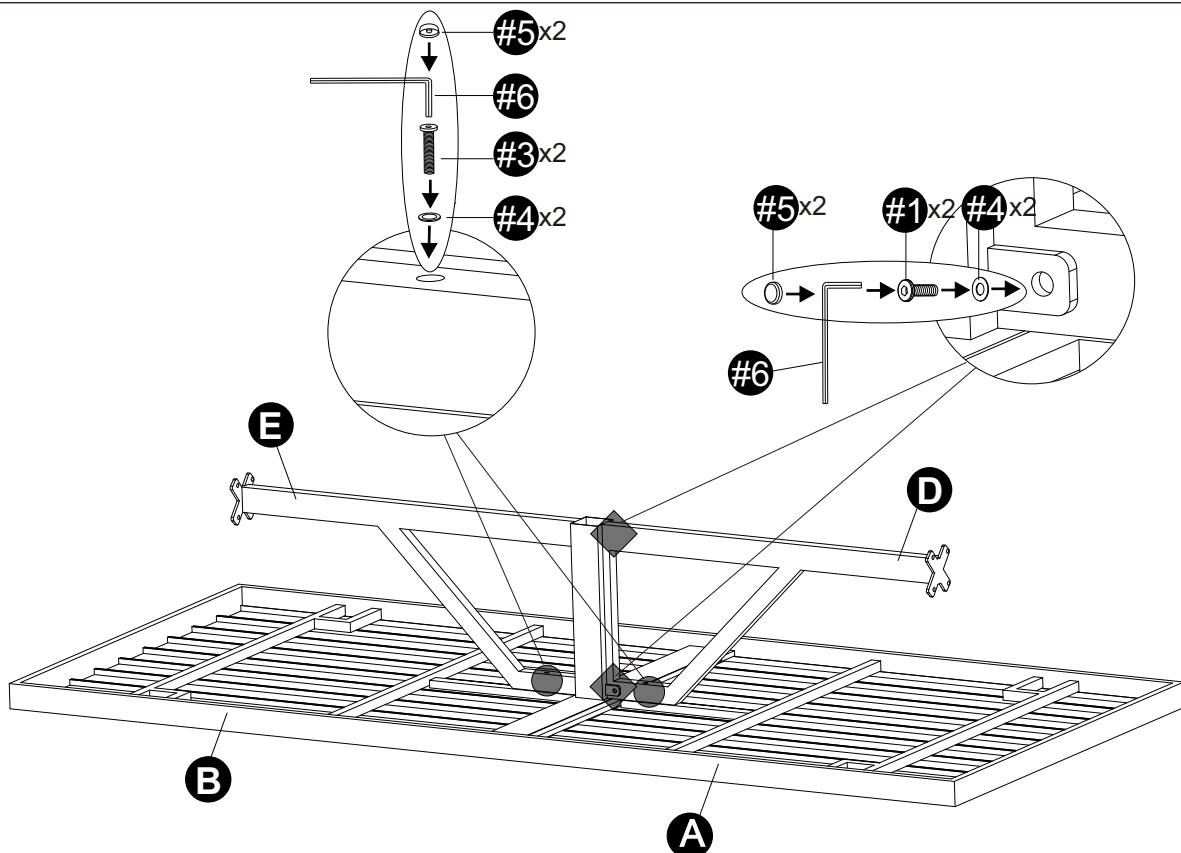
**1**



Attach top panel (A) to top panel (B) using bolts (2), flat washers (4), bolt caps (5) and allen wrench (6).

NOTE: Please do not fully tighten bolts until unit is fully assembled.

**2**

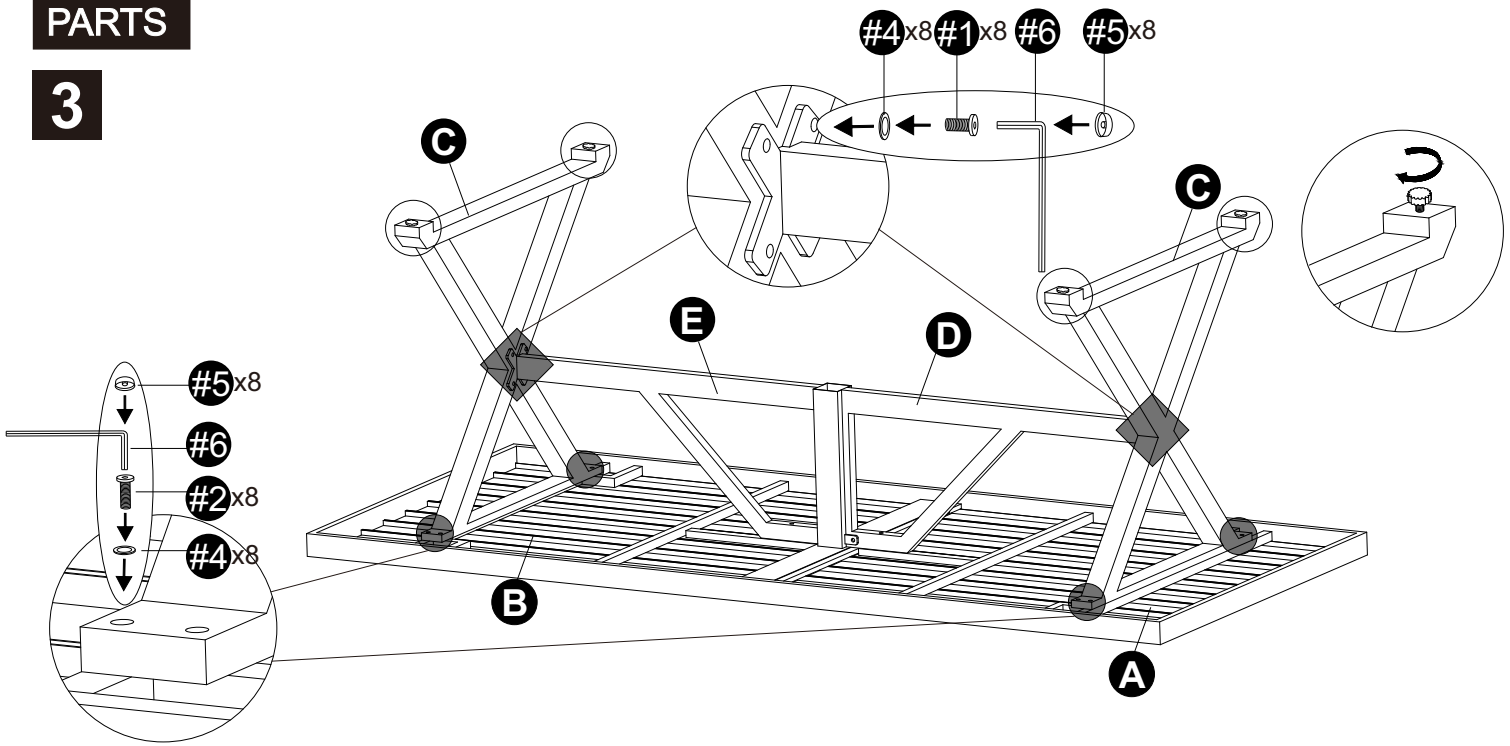


Attach support tube (D & E) to top panel (A & B) using bolts (1&3), flat washers (4), bolt caps (5) and allen wrench (6).

NOTE: Please do not fully tighten bolts until unit is fully assembled.

**PARTS**

**3**

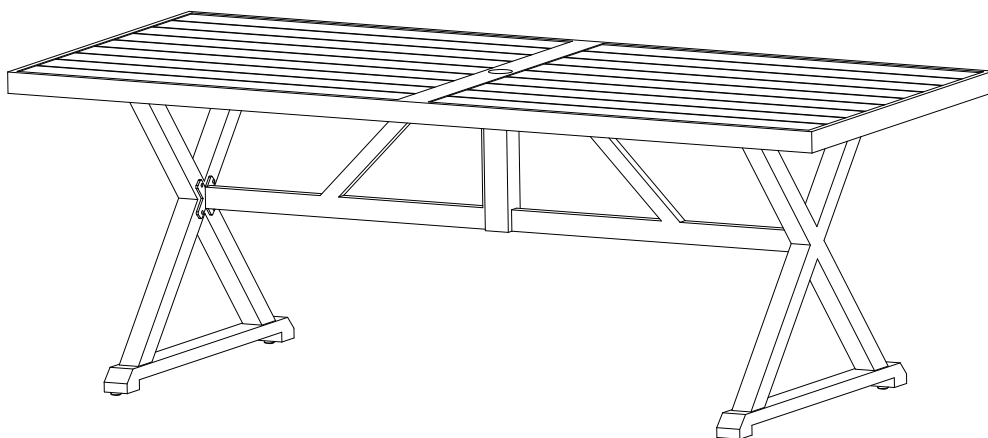


Attach legs (C) to top panel (A & B) and support tube (D & E) using bolts (1&2), flat washers (4), bolt caps (5) and allen wrench (6).

NOTE: Please fully tighten all bolts at this time.

NOTE: It is important to adjust levelers once fully assembled and upright. Extend adjustable leveler until it's firmly in contact with the floor. If relocating, adjust leveler as needed until it's firmly in contact with the floor in new location.

**4**



Carefully turn unit upright.

ENJOY YOUR PRODUCT NOW!



PEAKHOME FURNISHINGS INC.  
970 Roosevelt #202, Irvine, CA 92620

**Check out more great products:  
[www.peakhomefurnishings.com](http://www.peakhomefurnishings.com)**

**CONTACT US; WE'RE HERE 7 DAYS A WEEK TO HELP YOU!**



1-818-963-1558



[phf@peakhomefurnishings.com](mailto:phf@peakhomefurnishings.com)

If we missed your call, please leave a detailed message including your name and phone number. We will call back as soon as possible.

#### **SOCIAL MEDIA**

Follow us on our Social Media by uploading a picture of our brands furnishings in your home, you will have chance to get our newest product free.



[Facebook.com/Peak-Home-Furnishings-Inc-103544141243786/](https://www.facebook.com/Peak-Home-Furnishings-Inc-103544141243786/)



[Instagram.com/peakhomefurnishings](https://www.instagram.com/peakhomefurnishings)



[Twiter.com/peakhomefurnis1](https://twitter.com/peakhomefurnis1)