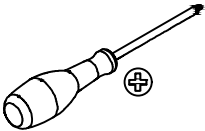
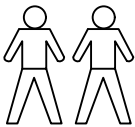
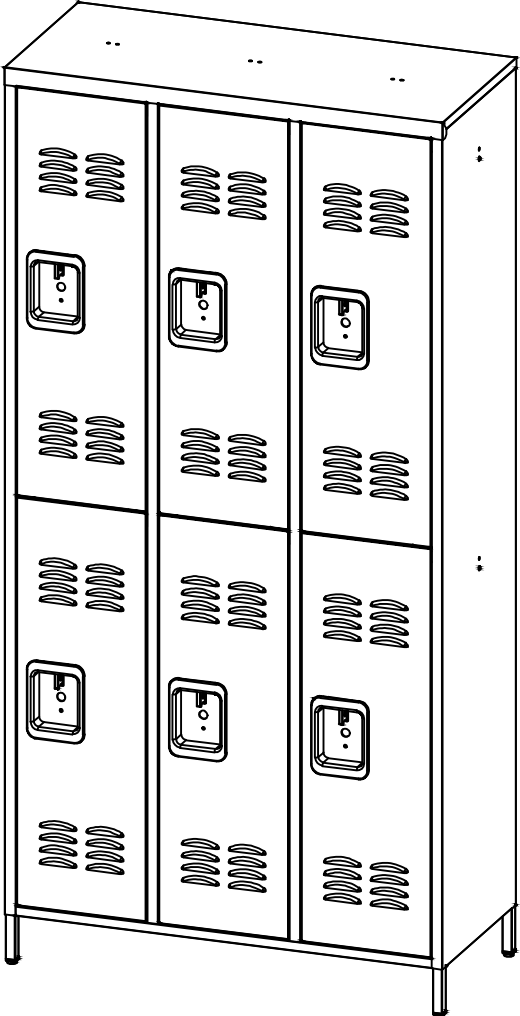
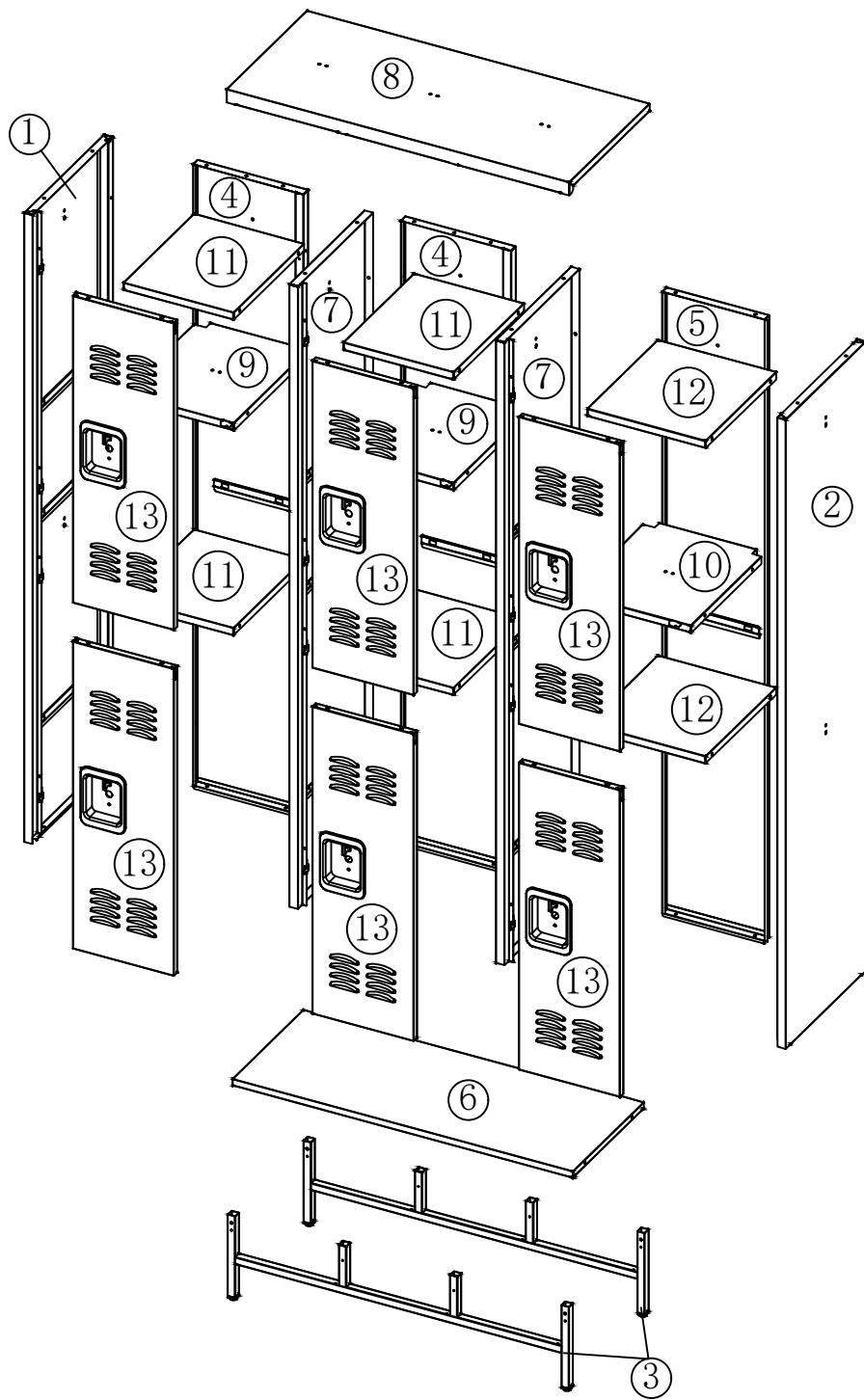


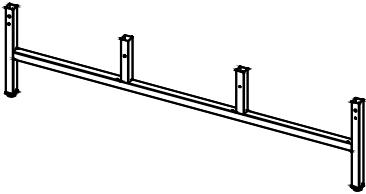
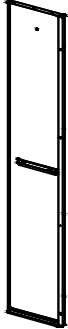

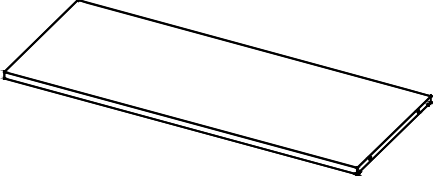


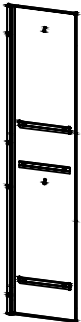
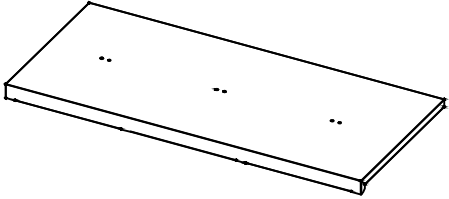
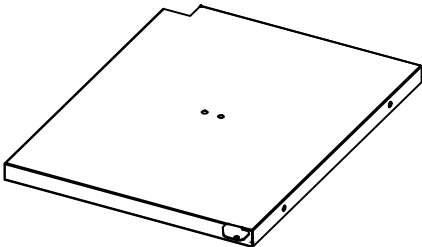
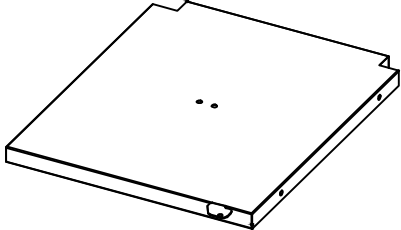
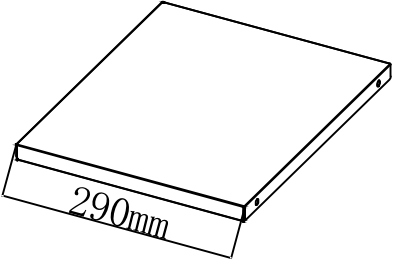
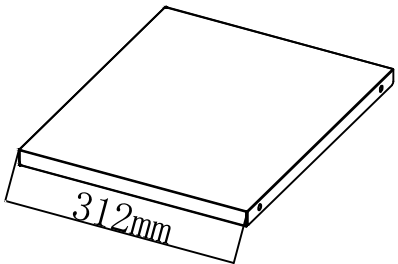
# Metal Storage Locker Instructions





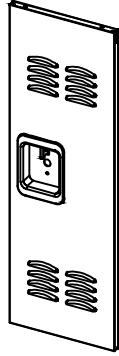
# Accessories

1-Left Panel	1PC	2-Right Panel	1PC
			
3-Cross Leg	2PCS	4-Left Back Panel	2PCS
			
5-Right Back Panel	1PC	6-Bottom Panel	1PC
			

7-Middle Side Pante	2PCS	8-Top Panel	1PC
			
9-Left Shelf 9	2PCS	10-Right Shelf 10	1PC
			
11-Left Shelf 11	4PCS	12-Right Shelf 12	2PCS
			

13-Door

6PCS



A \* 41



M5\*12MM

B \* 28



M5

C \* 12



D \* 6



E \* 2



M8 M5\*30MM M5

F \* 12



G \* 3



H \* 6

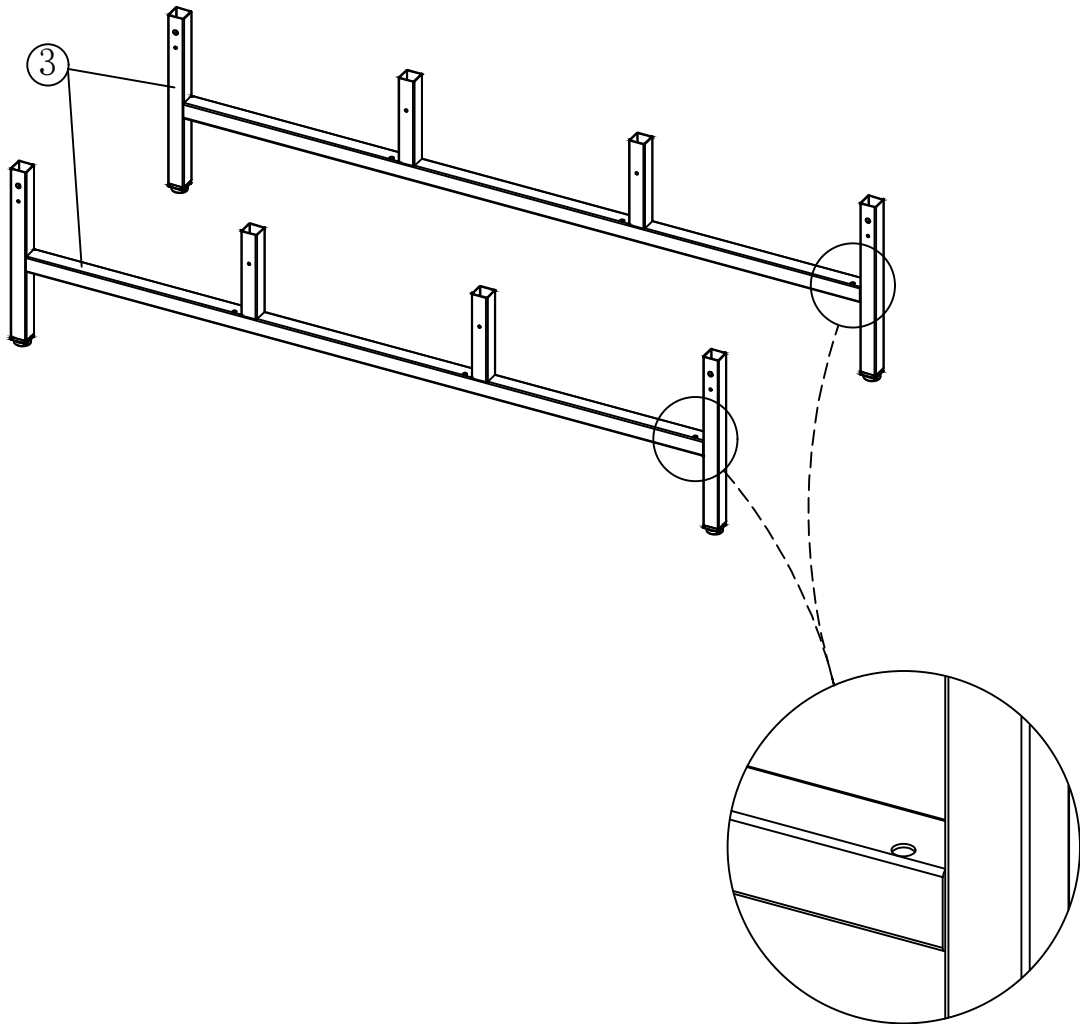


Spare

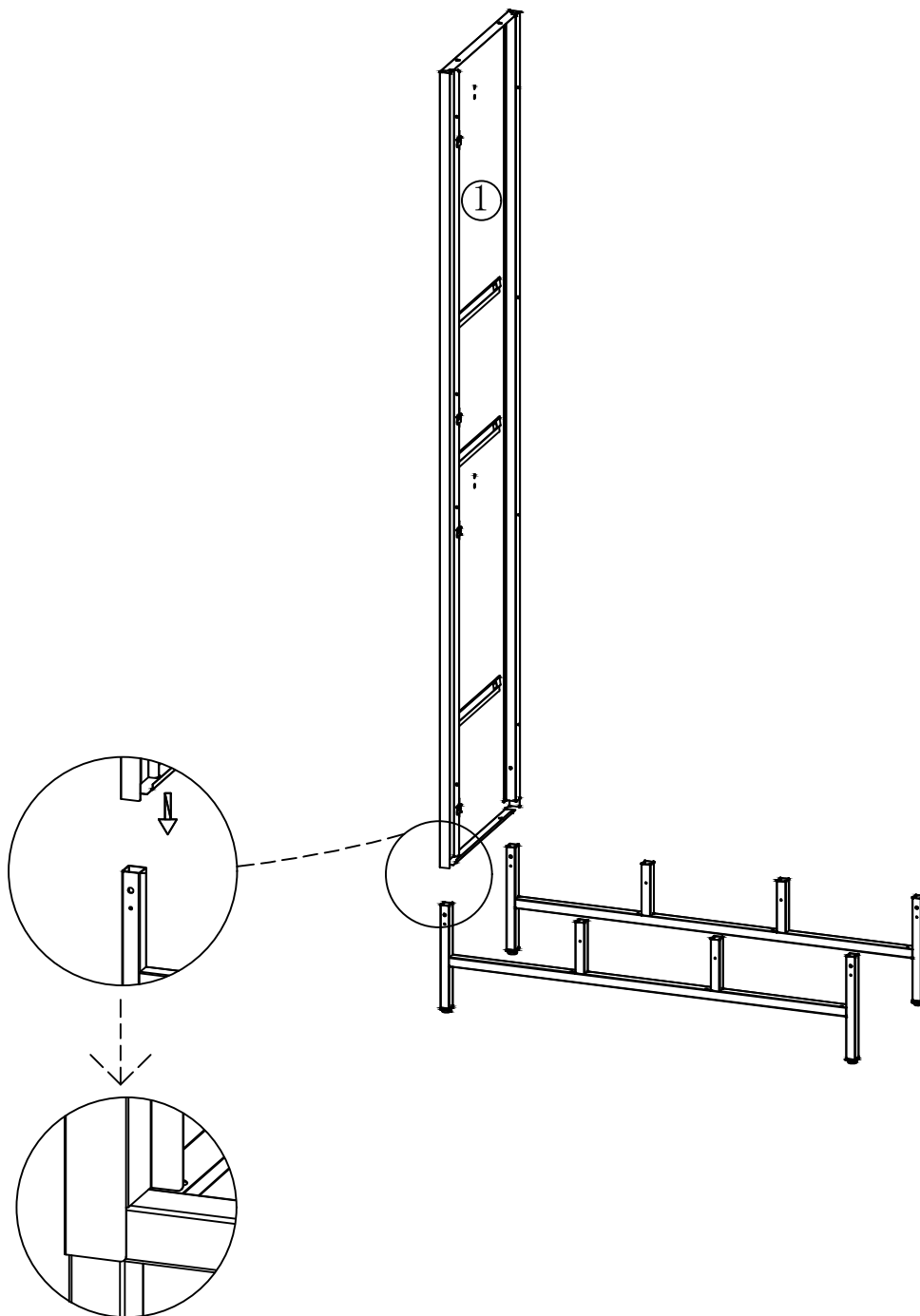


# Installation Steps

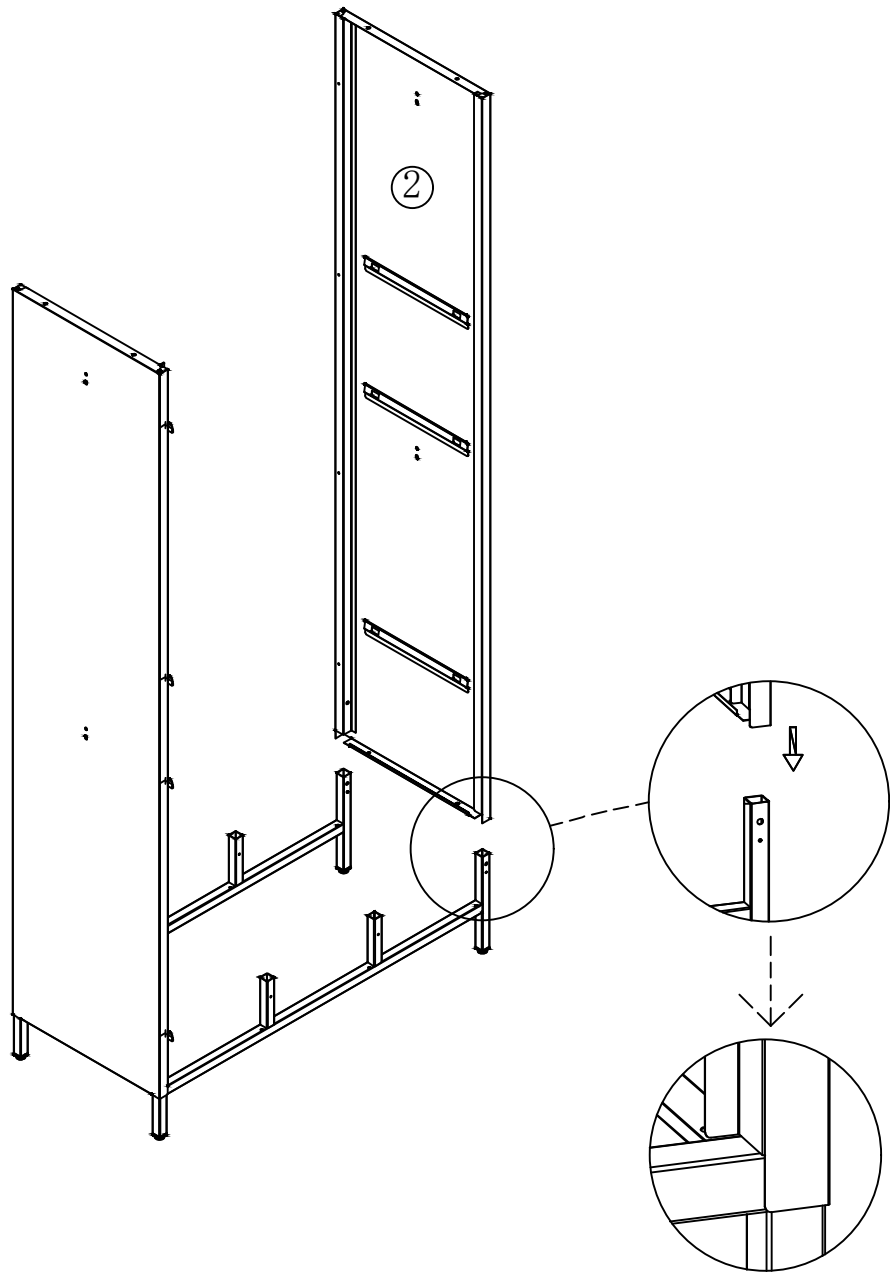
Step 1: Prepare two Part 3 (Pay attention to the direction)




Step 2: Insert Part 1 into Part 3

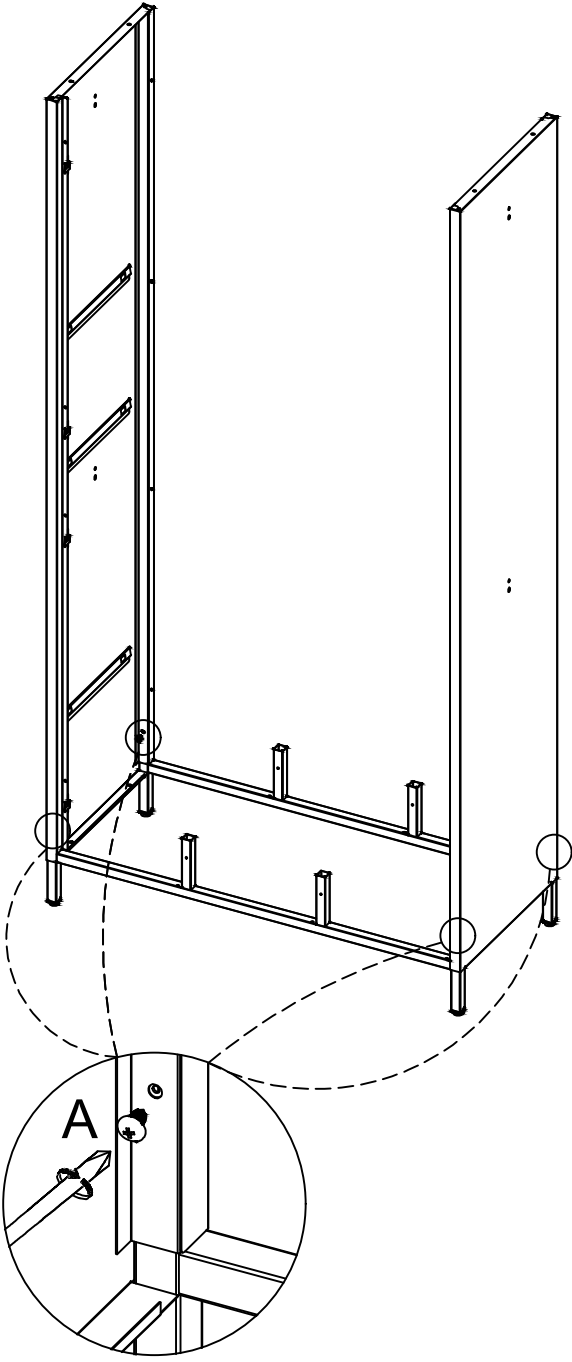
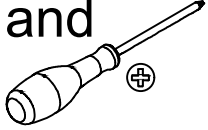


Step 3: Insert Part 2 into Part 3

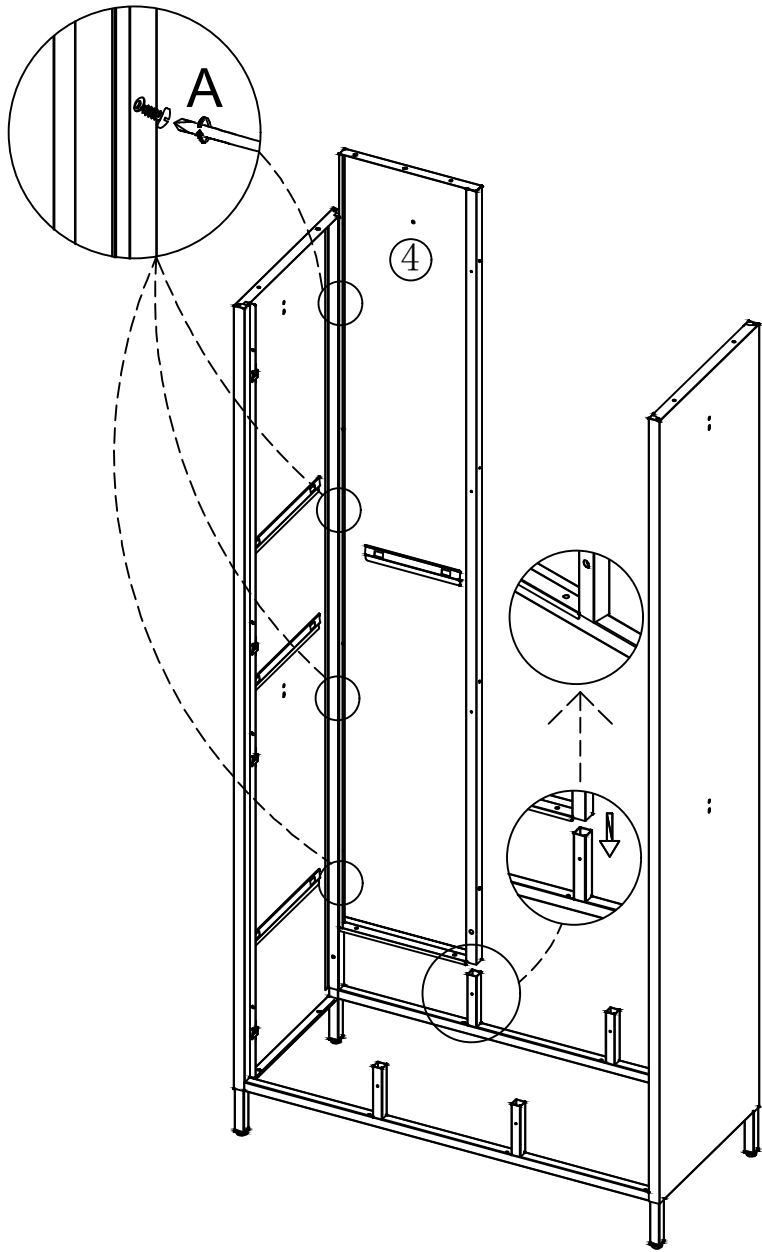


A\*4  
  
M5\*12MM

Step 4: Connect Part 1, Part 2 and Part 3 with Part A



A*4	Step 5: Install Part 4 with Part A	
 M5*12MM		

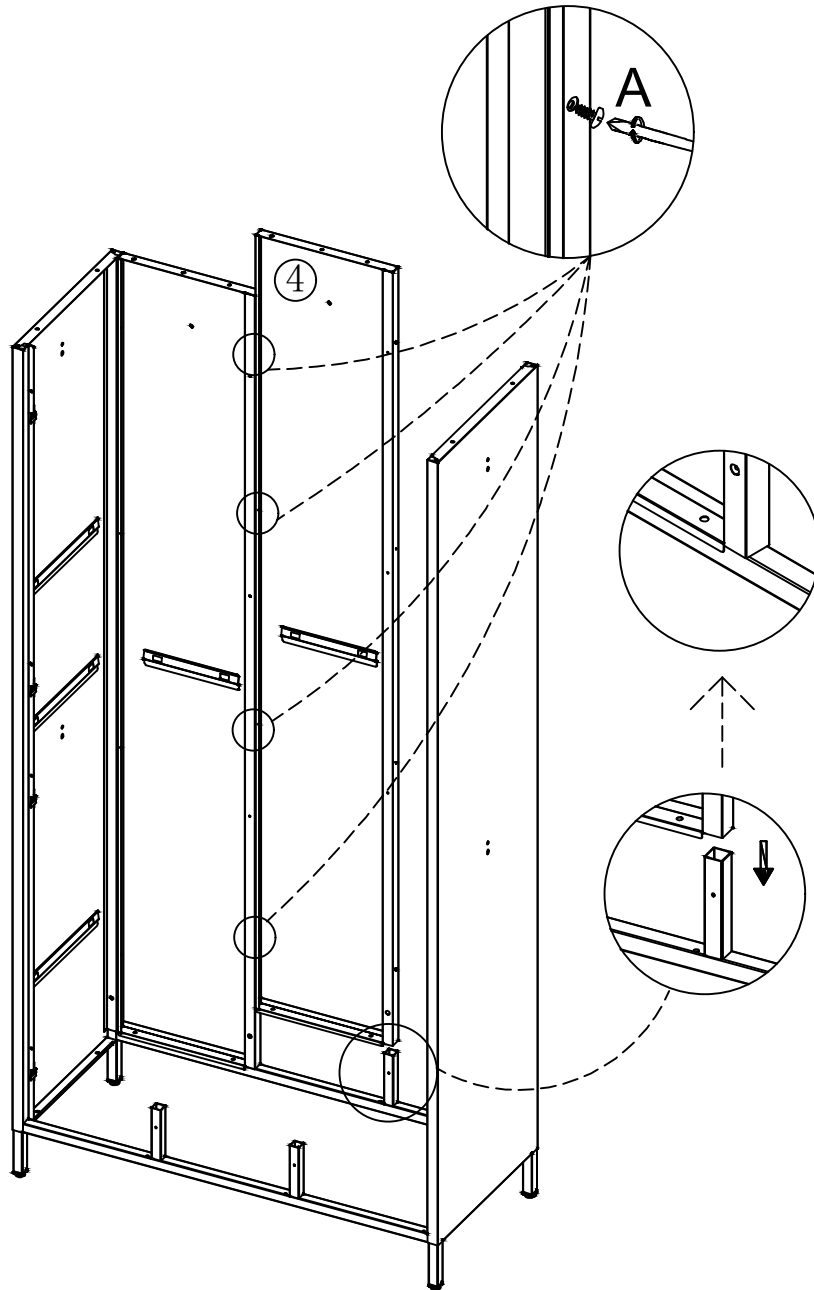
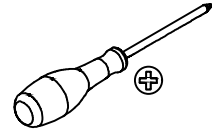


A\*4

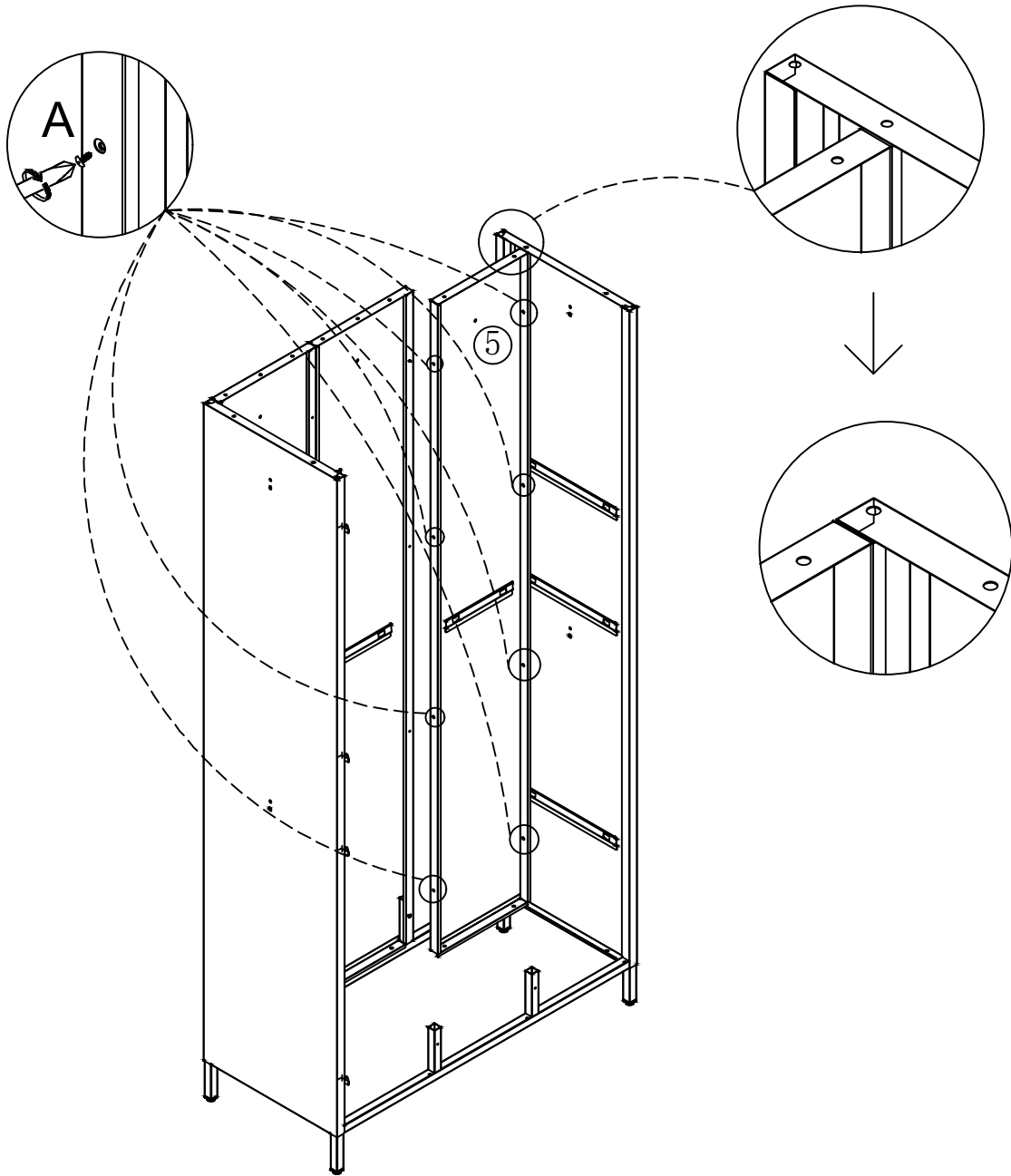


M5\*12MM

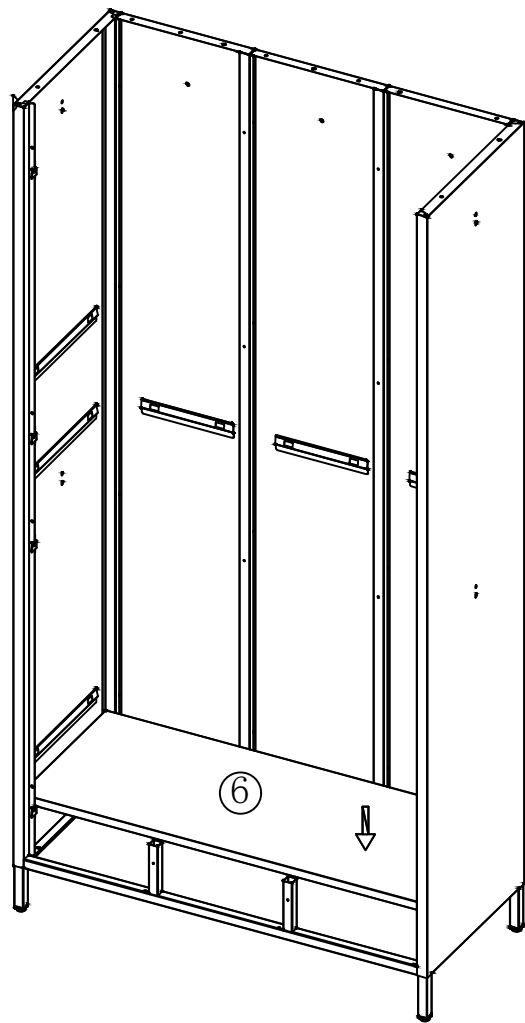
Step 6: Install another  
Part 4 with Part A



A*8	Step 7: Install Part 5 with Part A	
 M5*12MM		

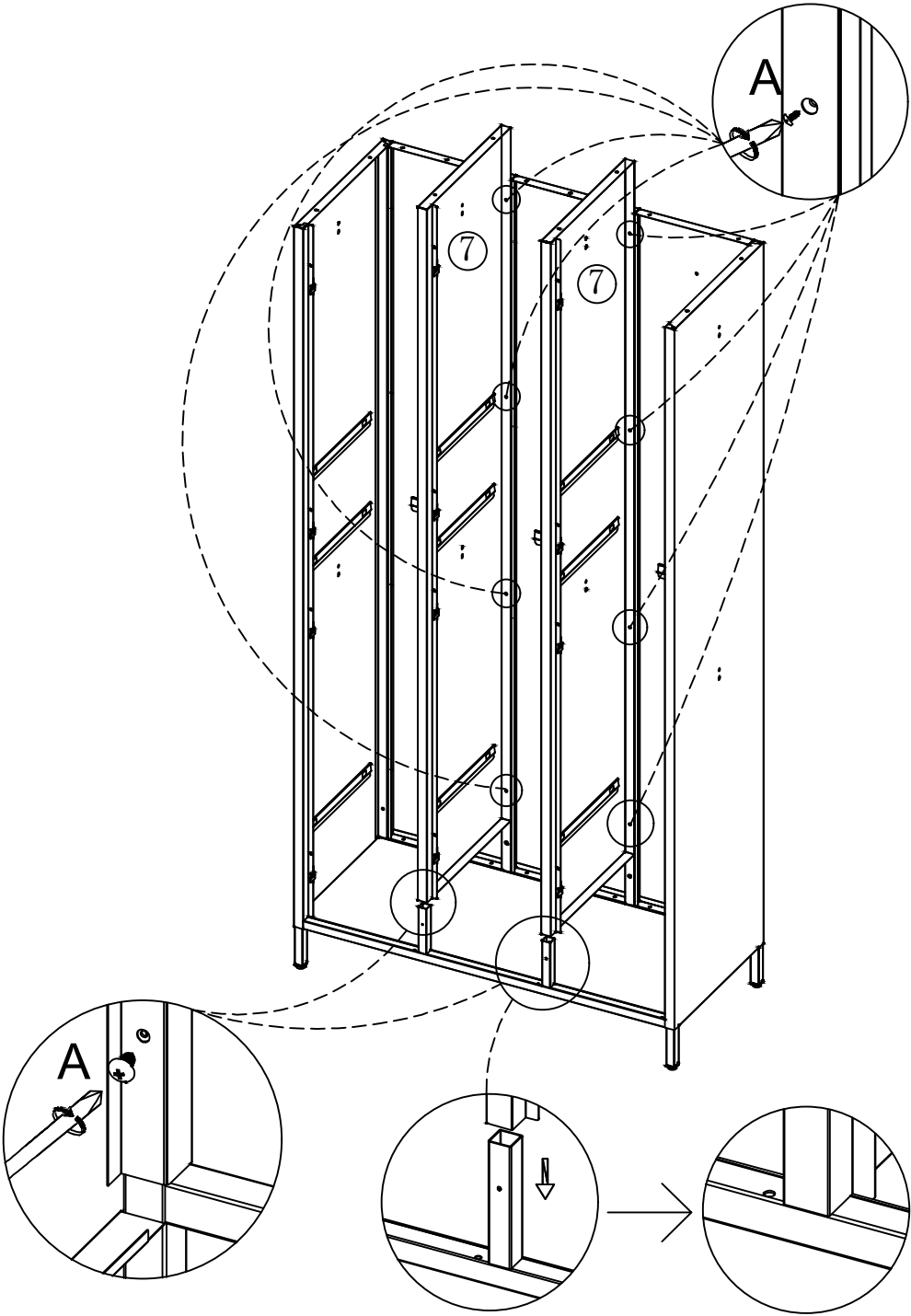
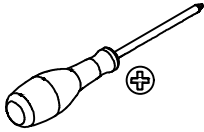



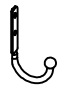
Step 8: Put Part 6 on Part 3

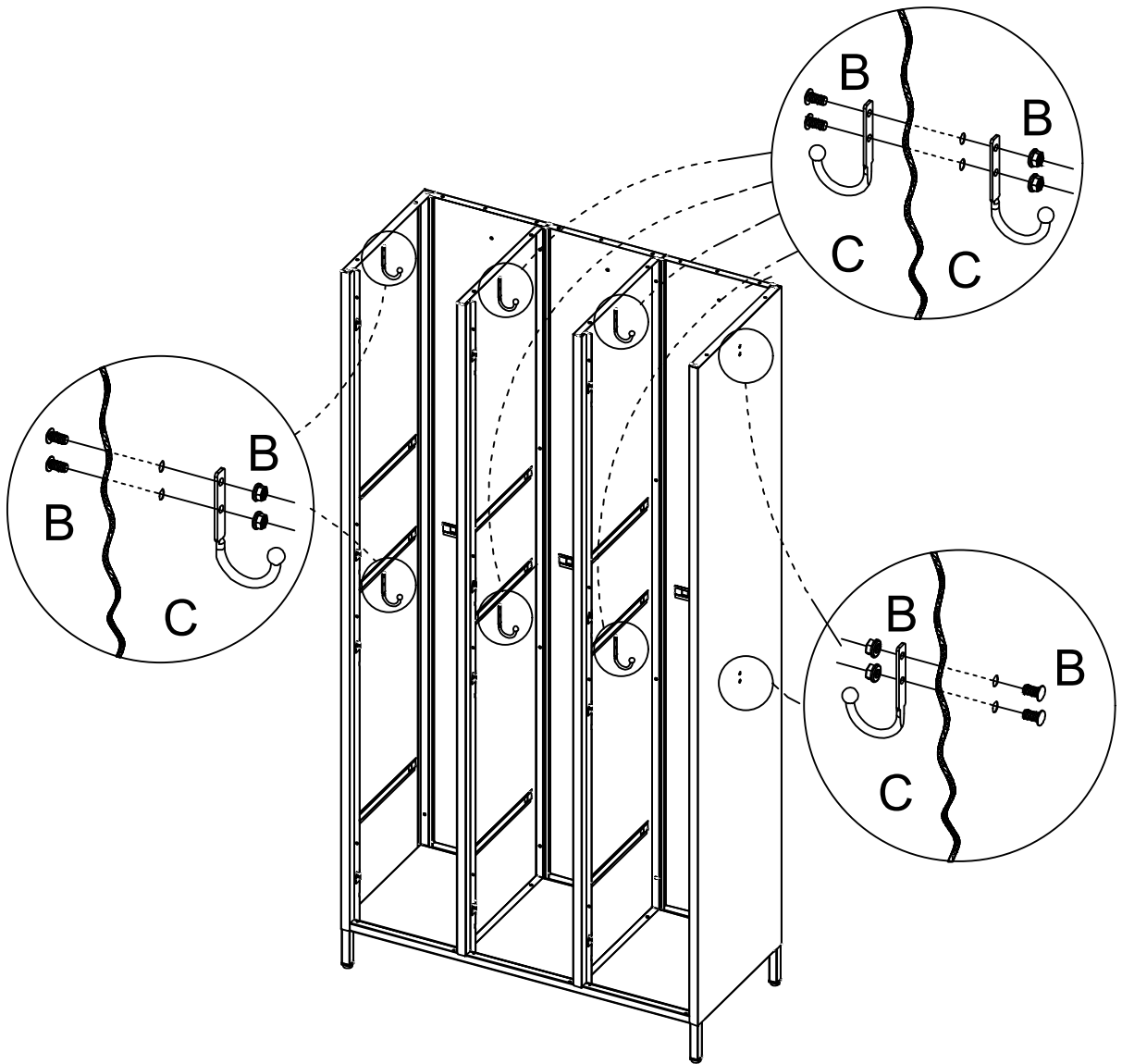




A\*10  
M5\*12MM

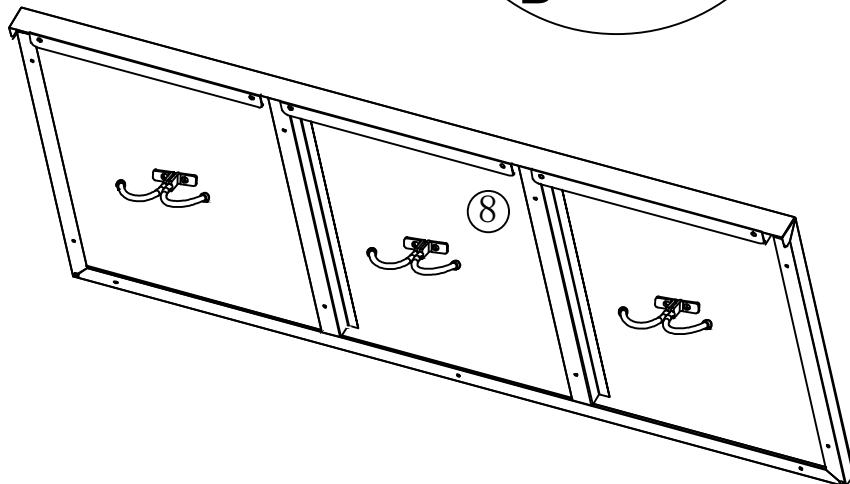
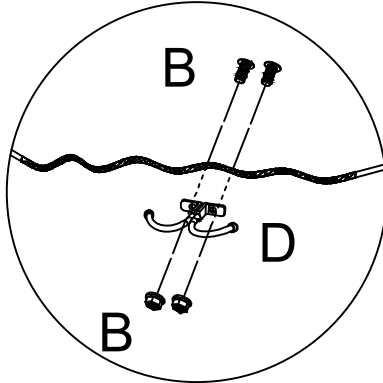
### Step 9: Install Part 7 with Part A



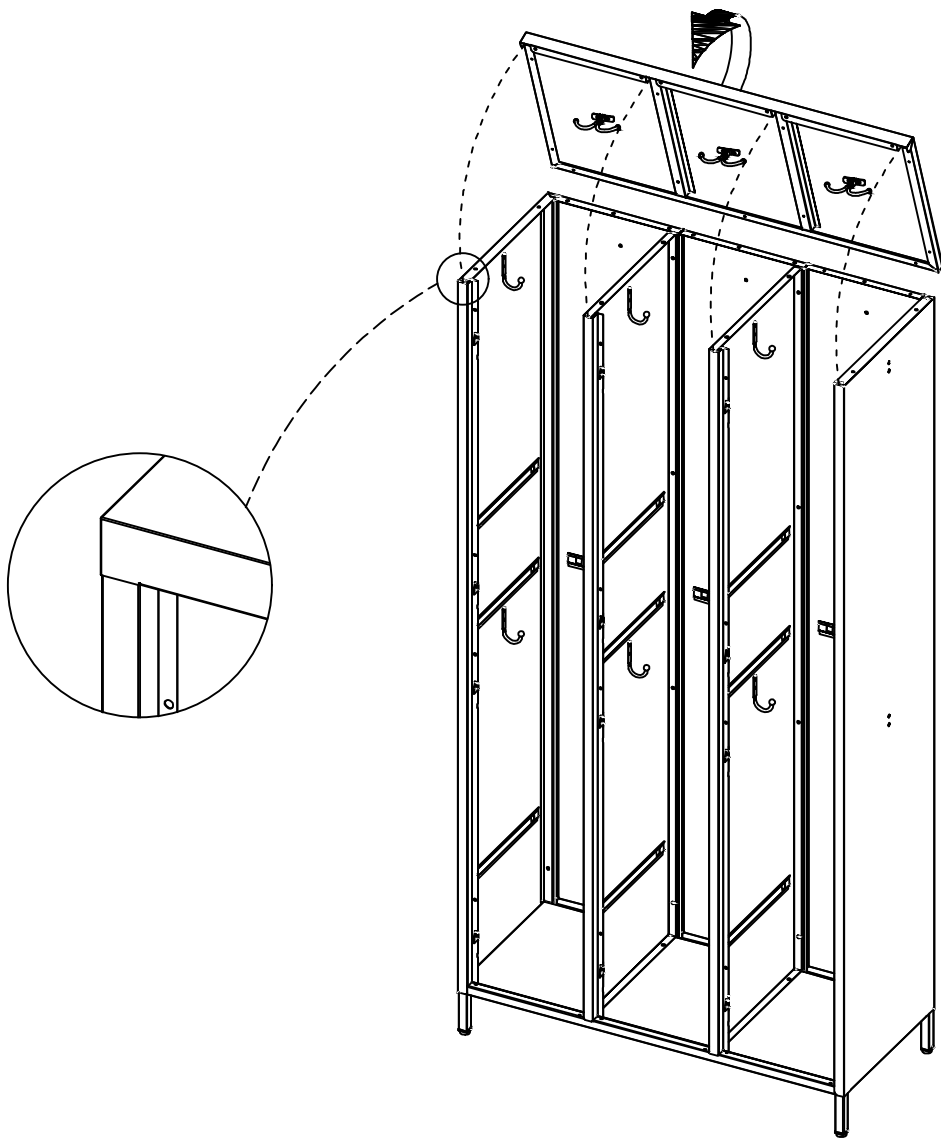
B*16	C*12	Step 10: Install Part C with Part B
		



B*6	D*3	Step 11: Install Part D on Part 8 with Part B
		

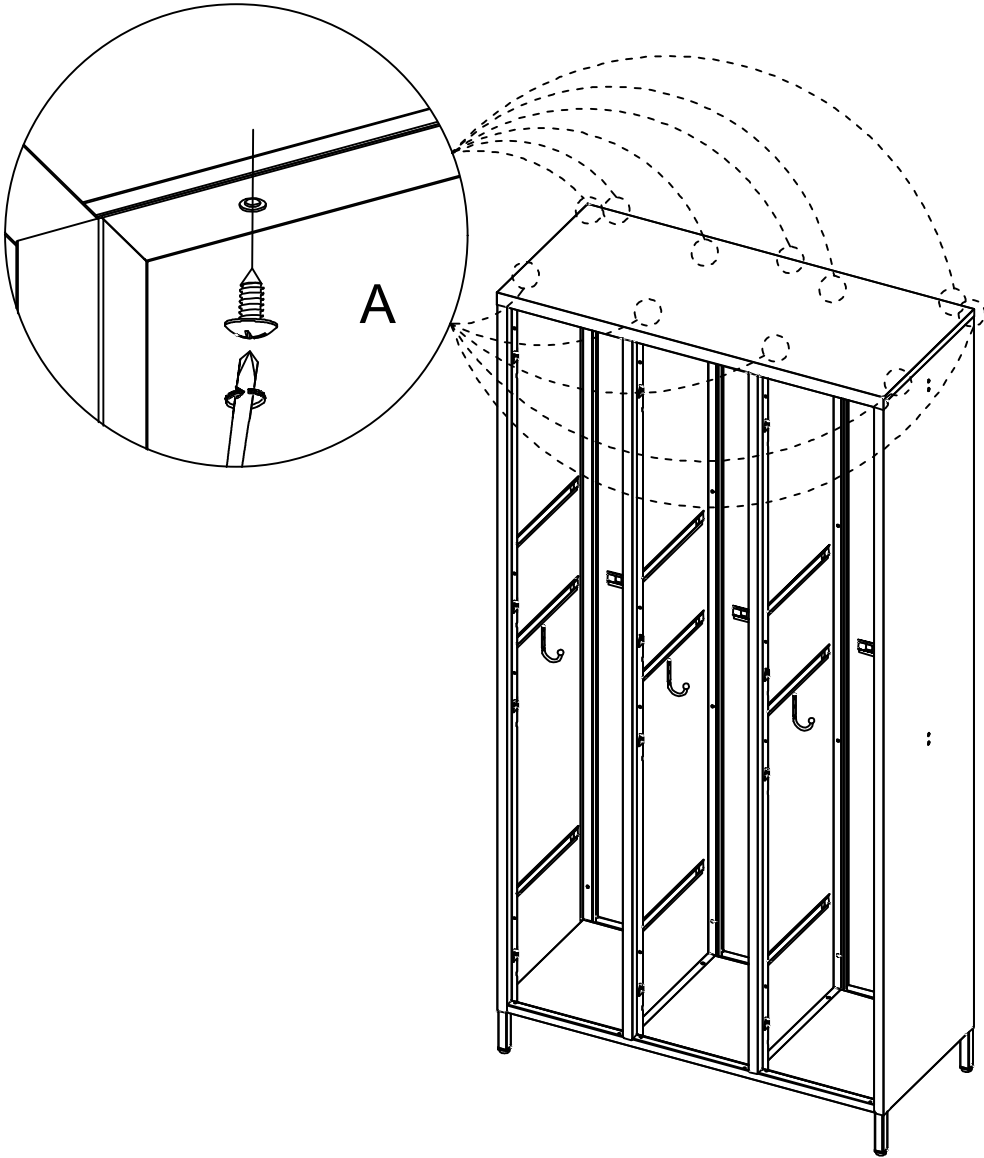
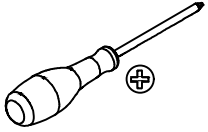





Step 12: Install Part 8



A\*11  
M5\*12MM

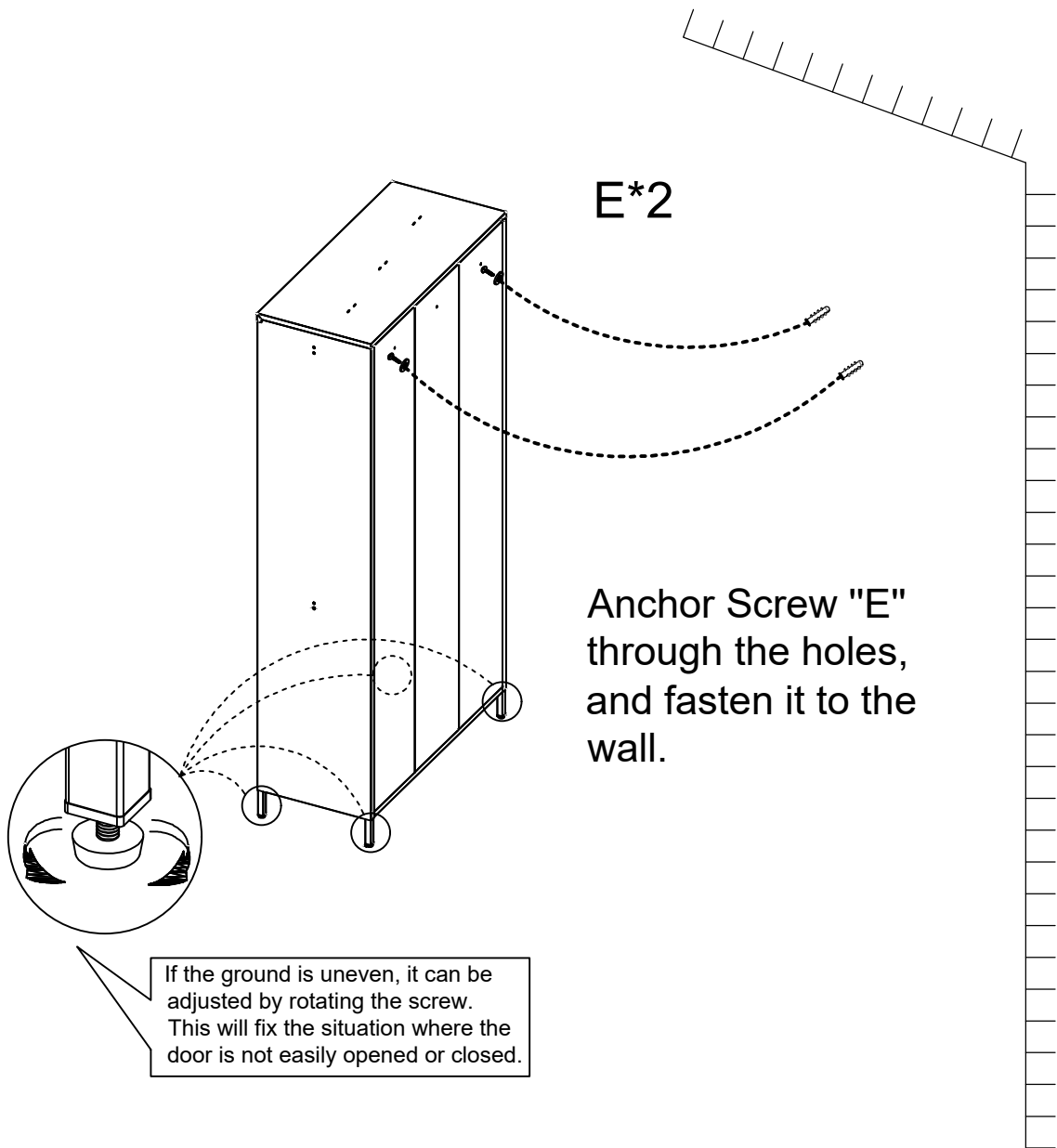
Step 13: Install Part 8 with Part A



Step 14:	E*2		
	 M8	 M5*30MM	 M5



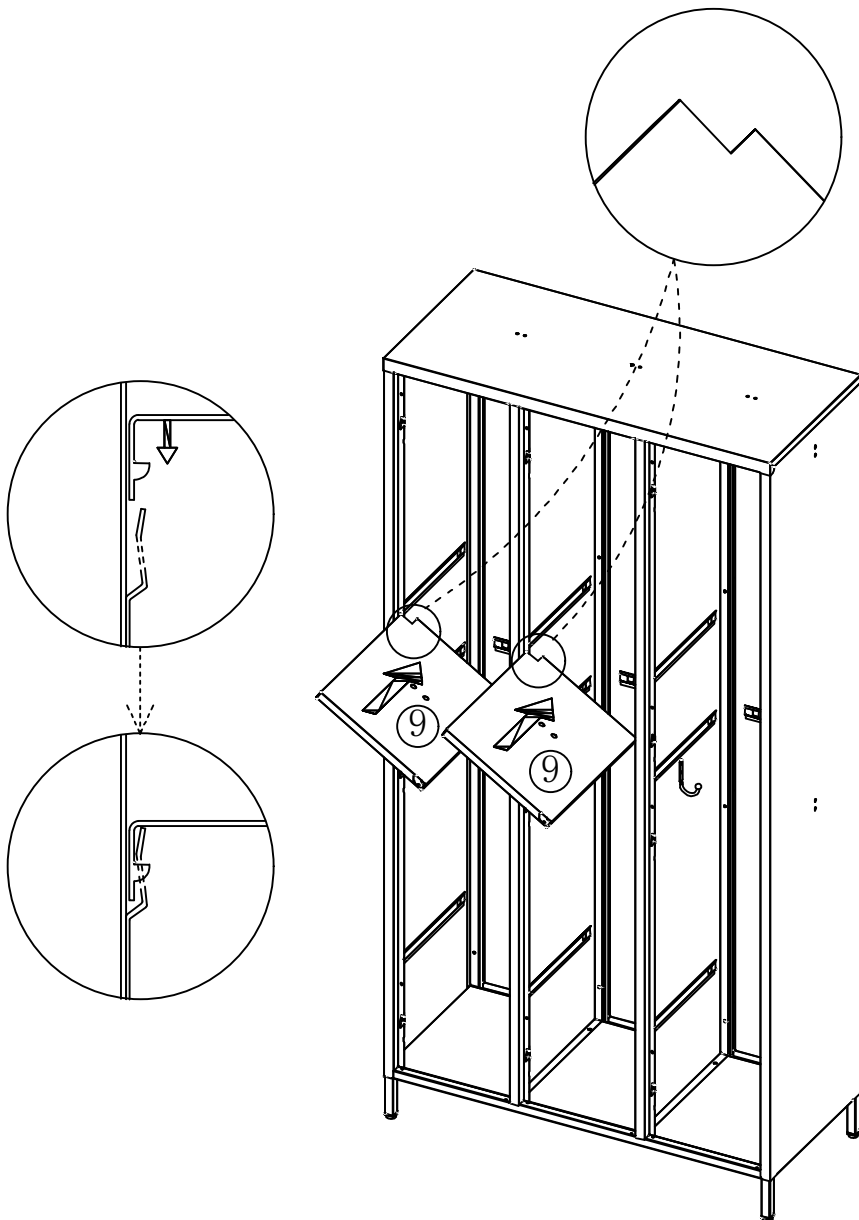
This step can help you  
fix the cabinet on the  
wall.



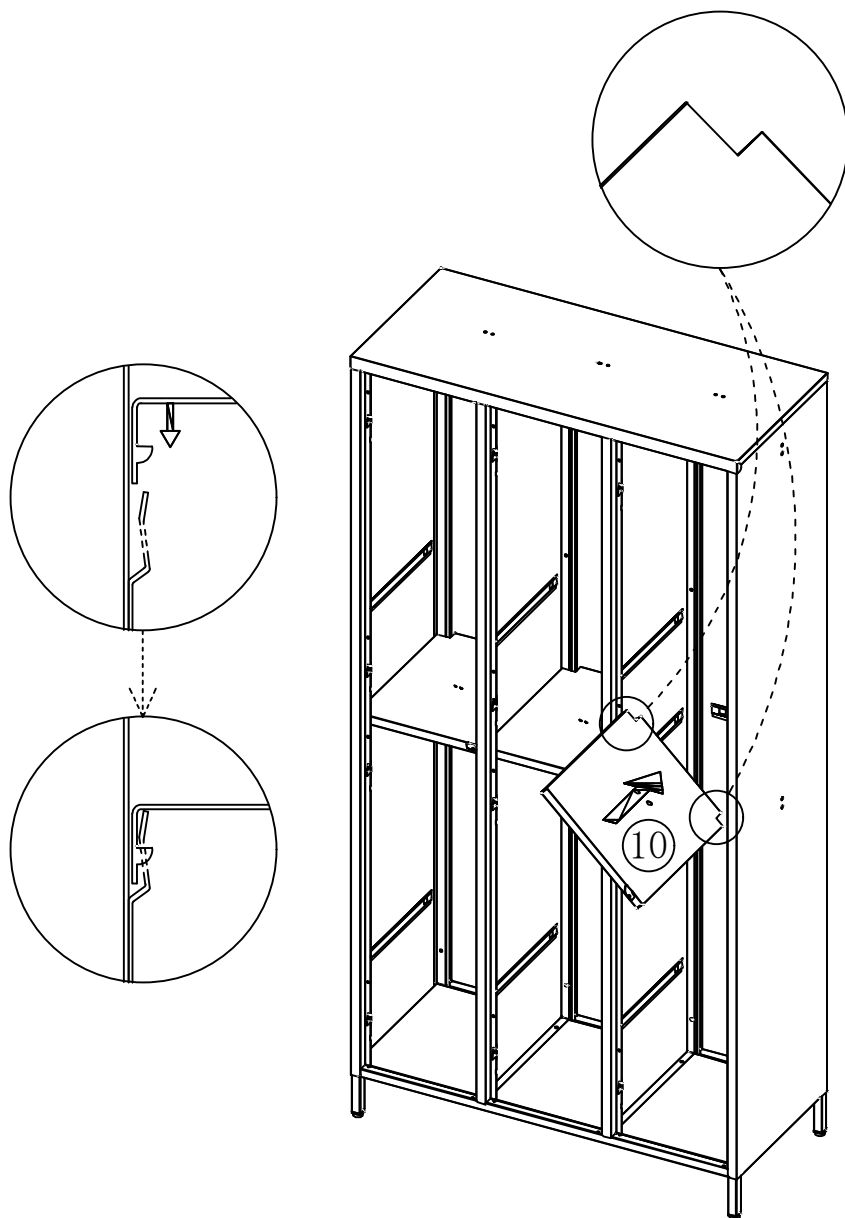
Anchor Screw "E"  
through the holes,  
and fasten it to the  
wall.


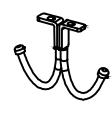
If the ground is uneven, it can be  
adjusted by rotating the screw.  
This will fix the situation where the  
door is not easily opened or closed.

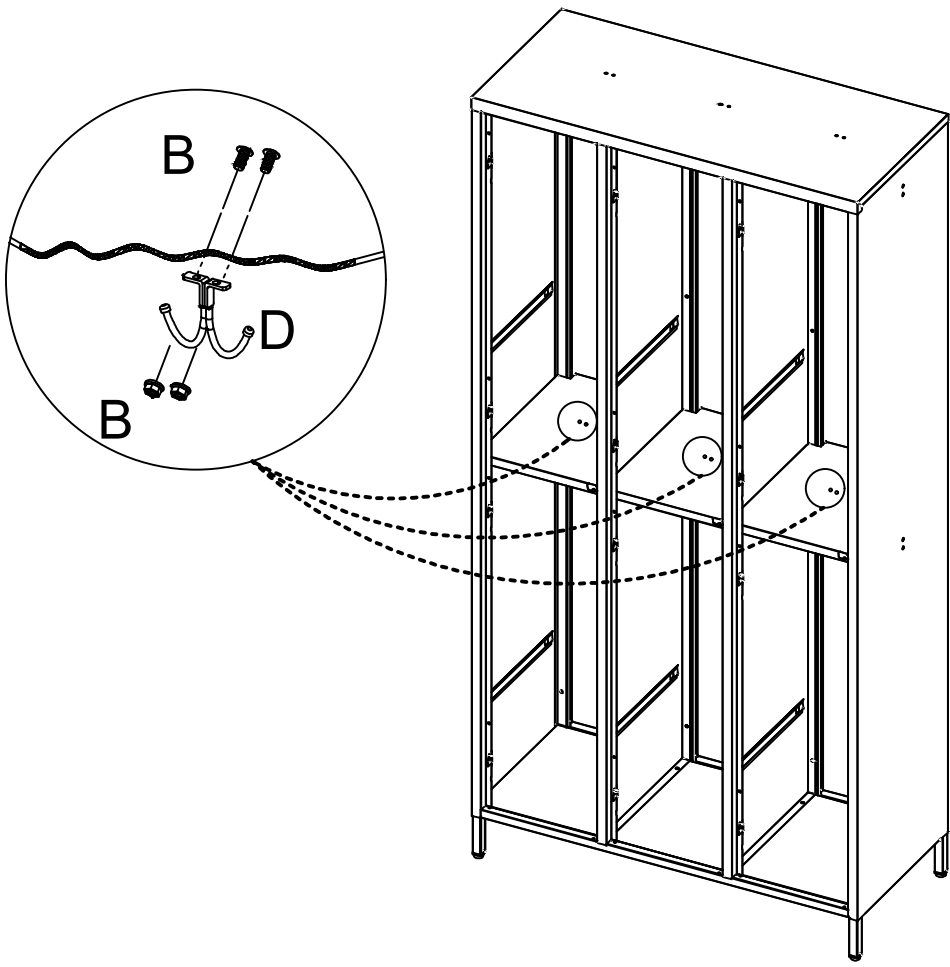
## Step 15: Install Part 9



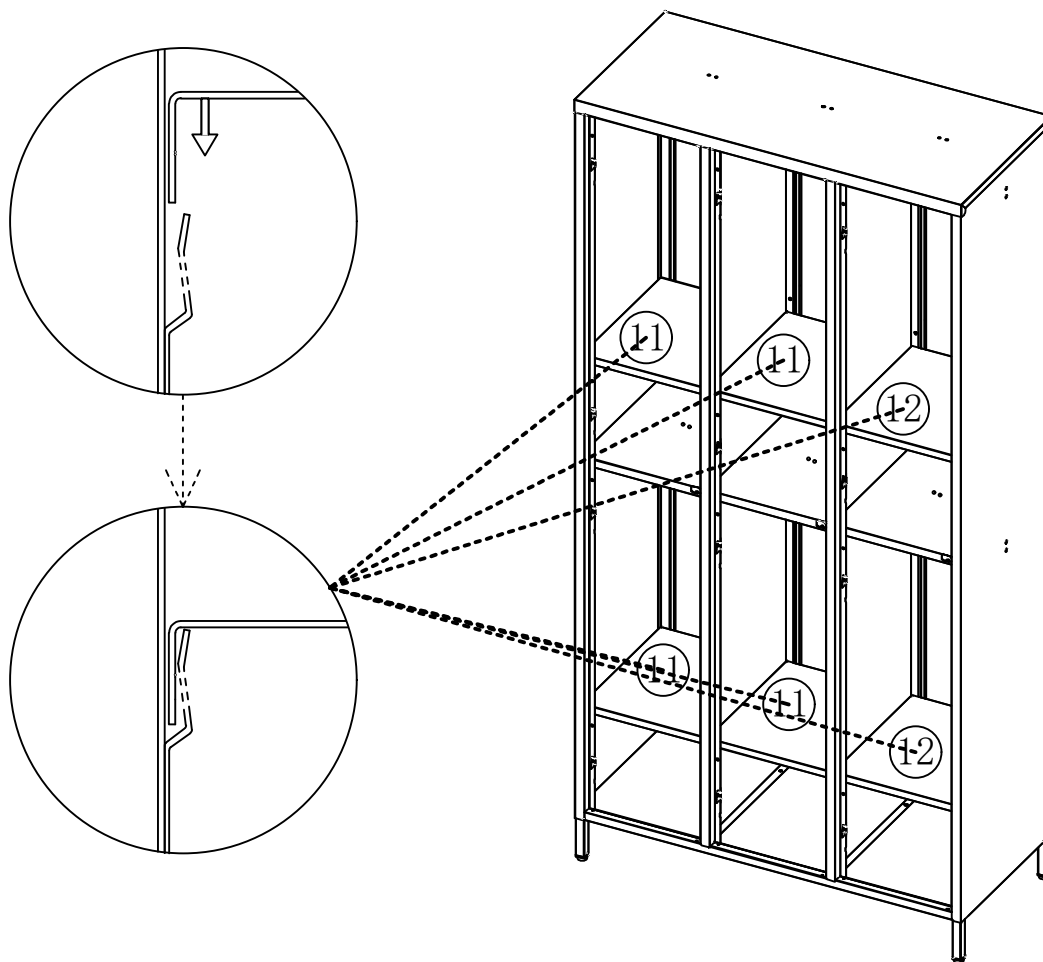
## Step 16: Install Part 10



B*6	D*3	Step 17: Install Part D on Part 9 and Part 10 with Part B
		



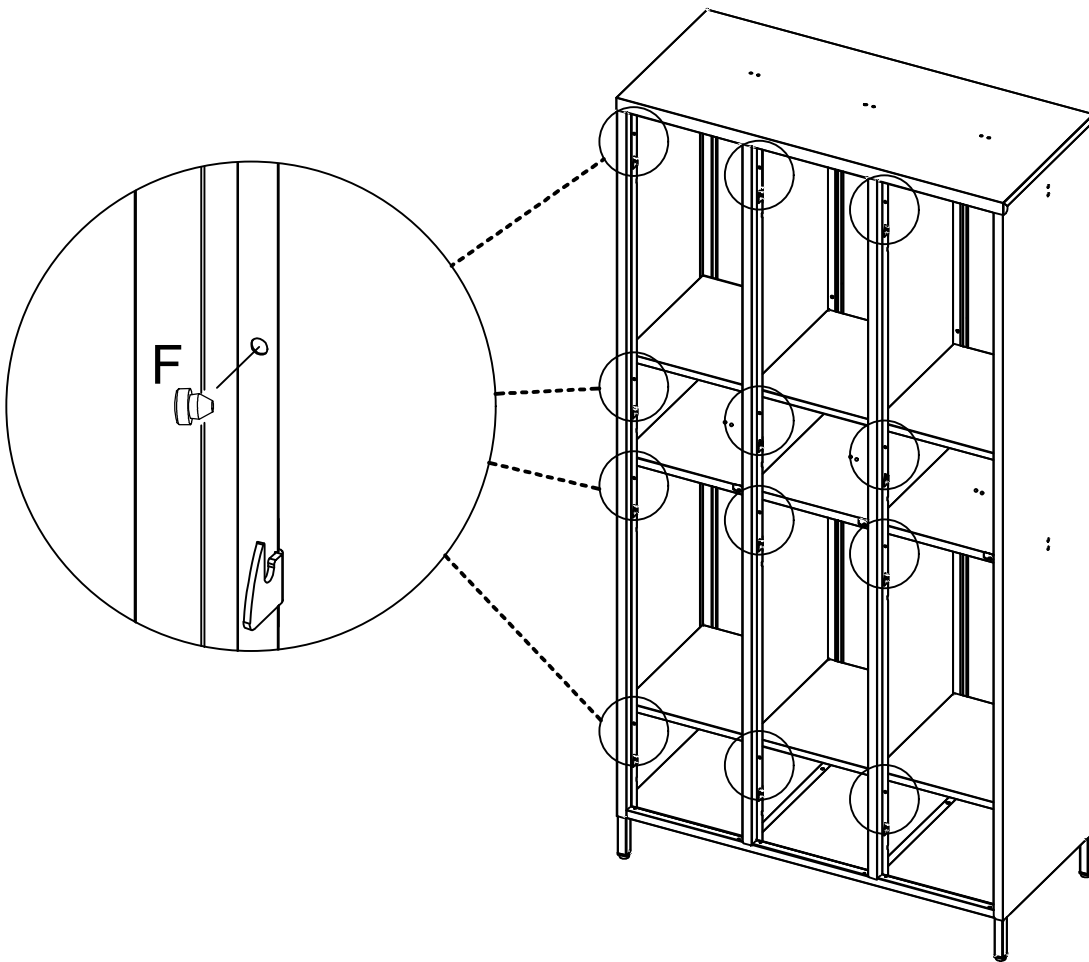
Step 18: Install parts 11 and 12





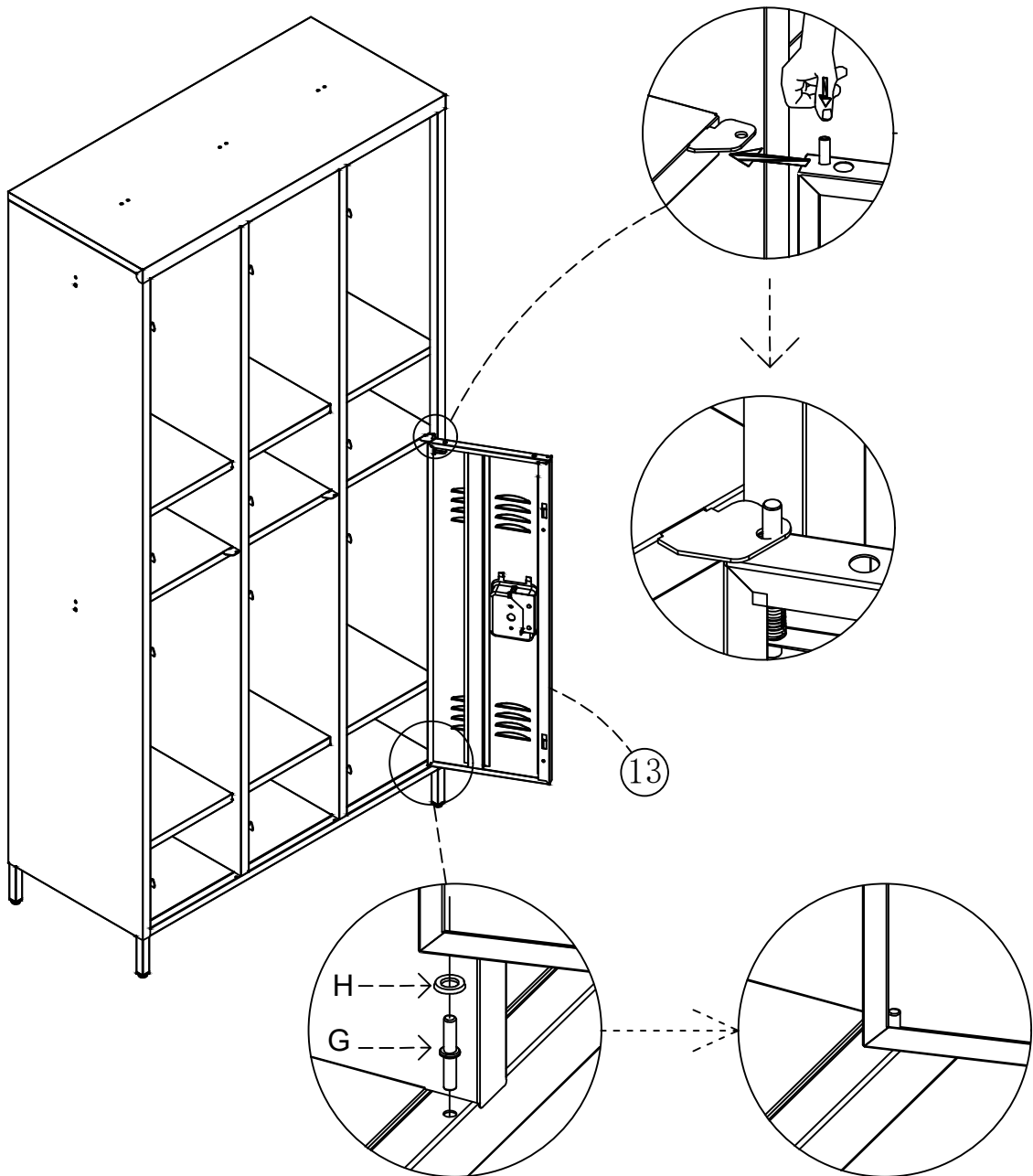
F\*12



## Step 19: Install Part F



G*3	H*6	Step 20: Install the doors (Part 13)
		



Step 21: Install all the doors

