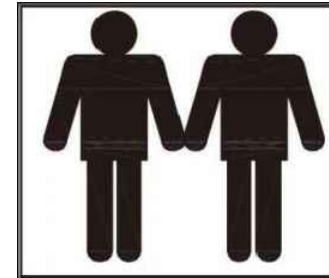
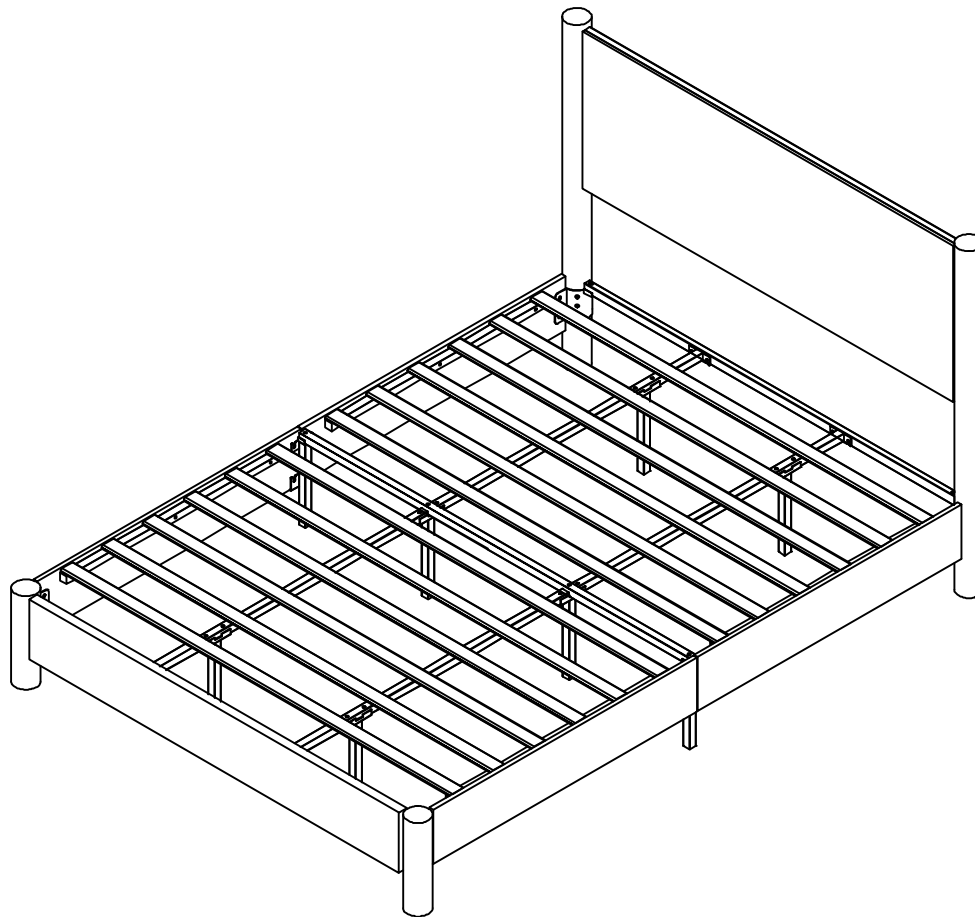


Assembly Instruction

Note:

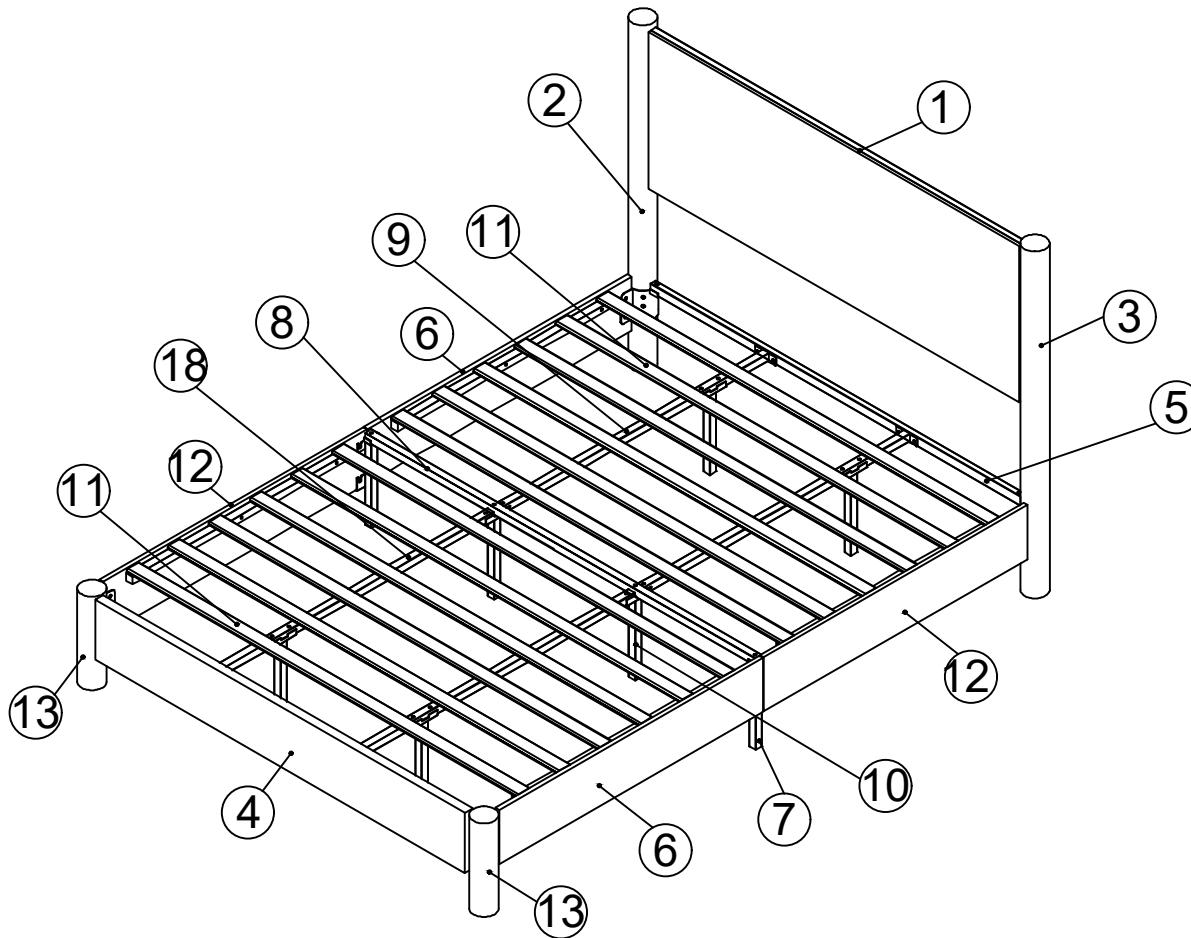
1. Should be assembled on flat ground to keep balance.
2. Before completing the installation, do not tighten the screws.



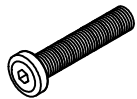
It needs at least two people to install.



Before starting the assembly, you must read the whole manual and follow the instructions.



Hardware arts



Ⓐ M6x40
2pcs



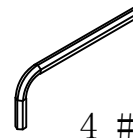
Ⓑ M8x18
36pcs



Ⓒ M8x35
38pcs



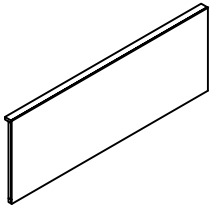
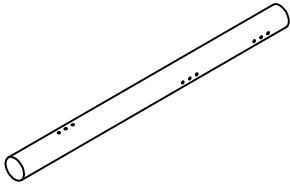
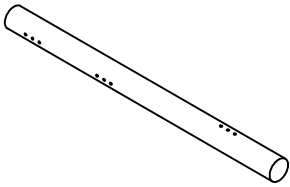
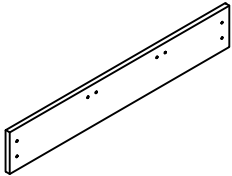
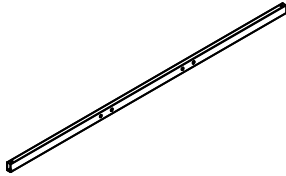
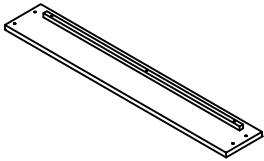

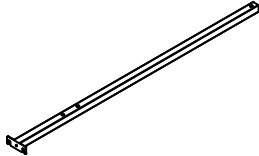
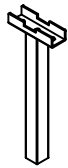
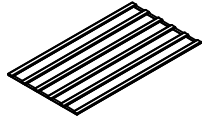
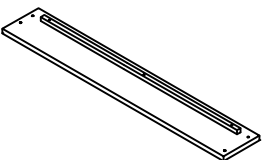
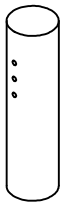
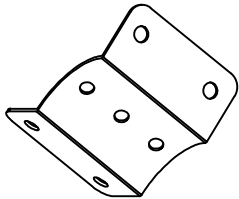
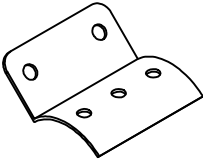
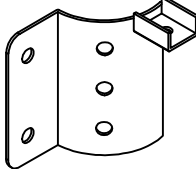
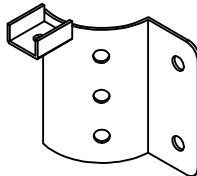
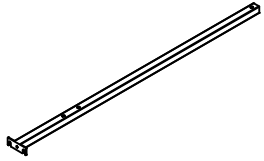
Ⓓ M8x45
2pcs





Ⓔ 4 #
1pc

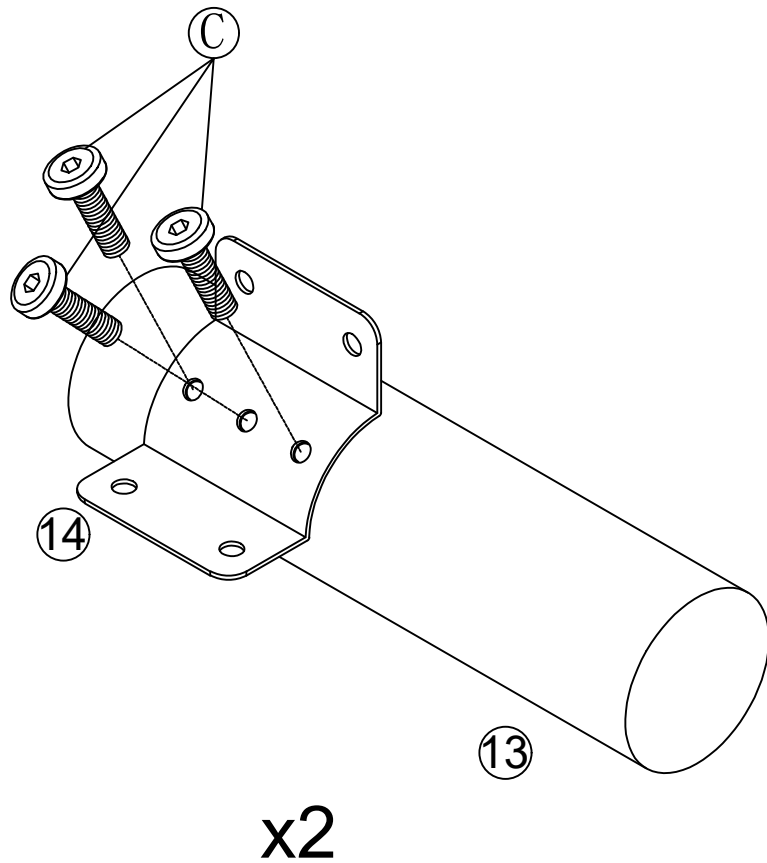
Assembly Instruction



Part list

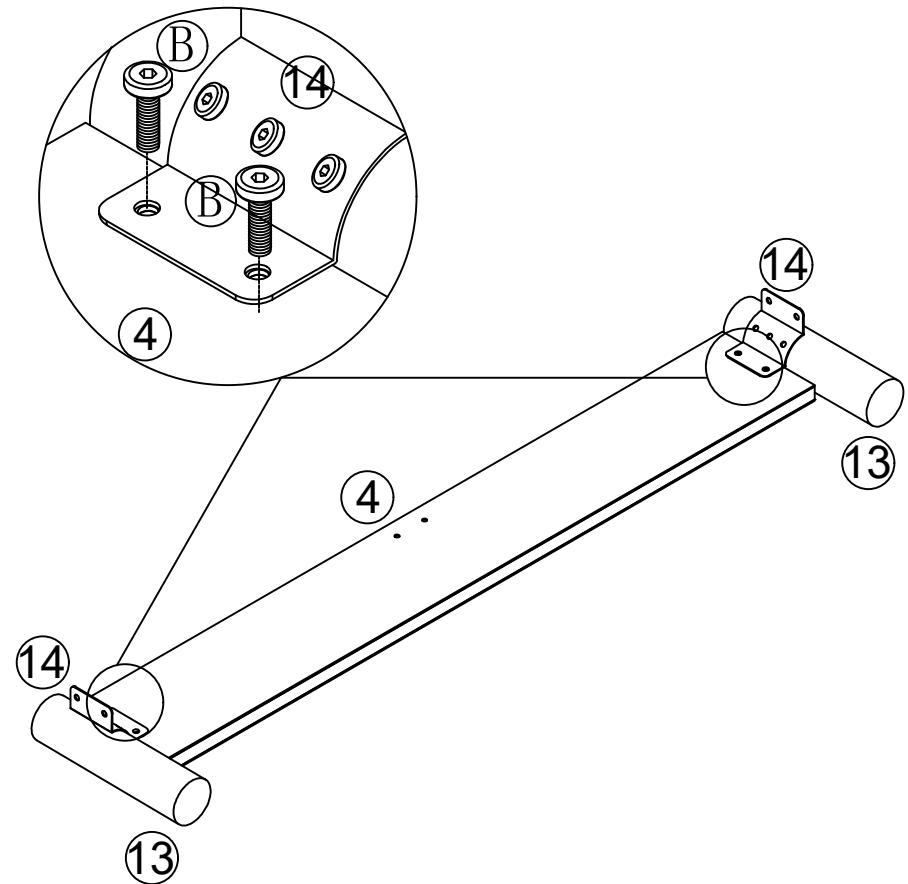
 <p>① 1 PC</p>	 <p>② 1 PC</p>	 <p>③ 1 PC</p>	 <p>④ 1 PC</p>	 <p>⑤ 1 PC</p>	 <p>⑥ 2 PCS</p>
 <p>⑦ 2 PCS</p>	 <p>⑧ 1 PC</p>	 <p>⑨ 2 PCS</p>	 <p>⑩ 6 PCS</p>	 <p>⑪ 2 PCS</p>	 <p>⑫ 2 PCS</p>
 <p>⑬ 2 PCS</p>	 <p>⑭ 2 PCS</p>	 <p>⑮ 4 PCS</p>	 <p>⑯ 1 PC</p>	 <p>⑰ 1 PC</p>	 <p>⑱ 2 PCS</p>

Assembly Instruction



C	 M8x35	6pcs
E		1pc

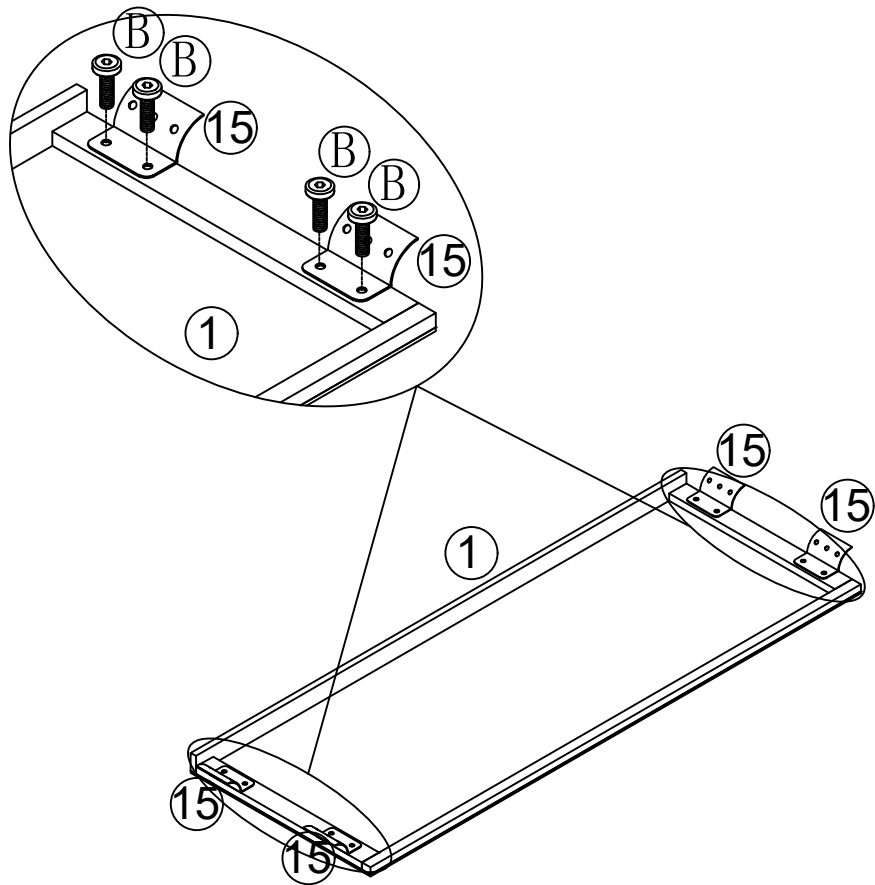




B	 M8x18	4pcs
E		1pc

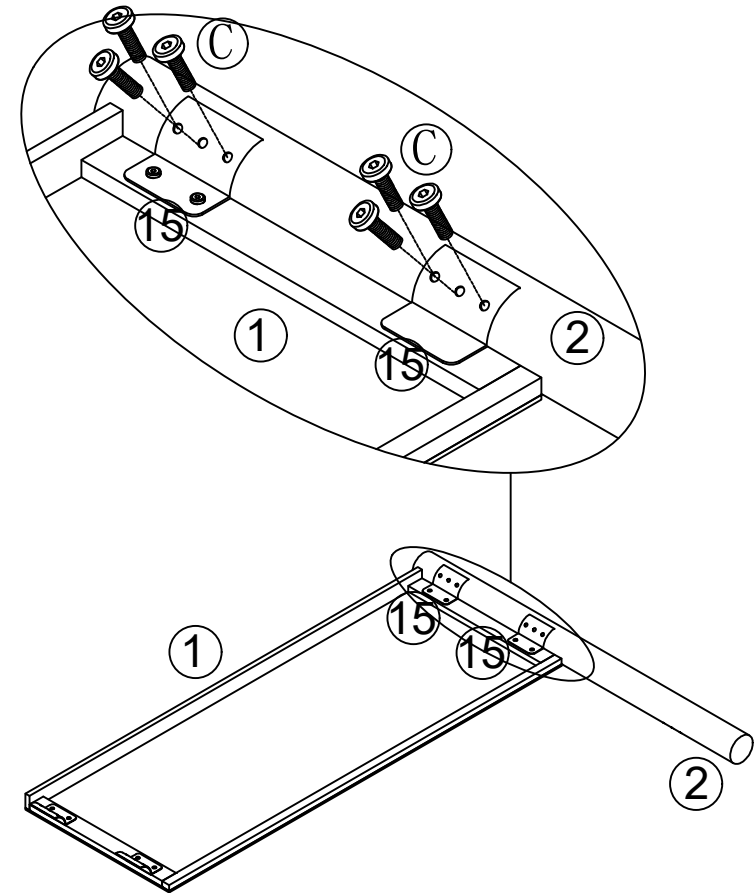


Assembly Instruction



B	 M8x18	8pcs
E		1pc

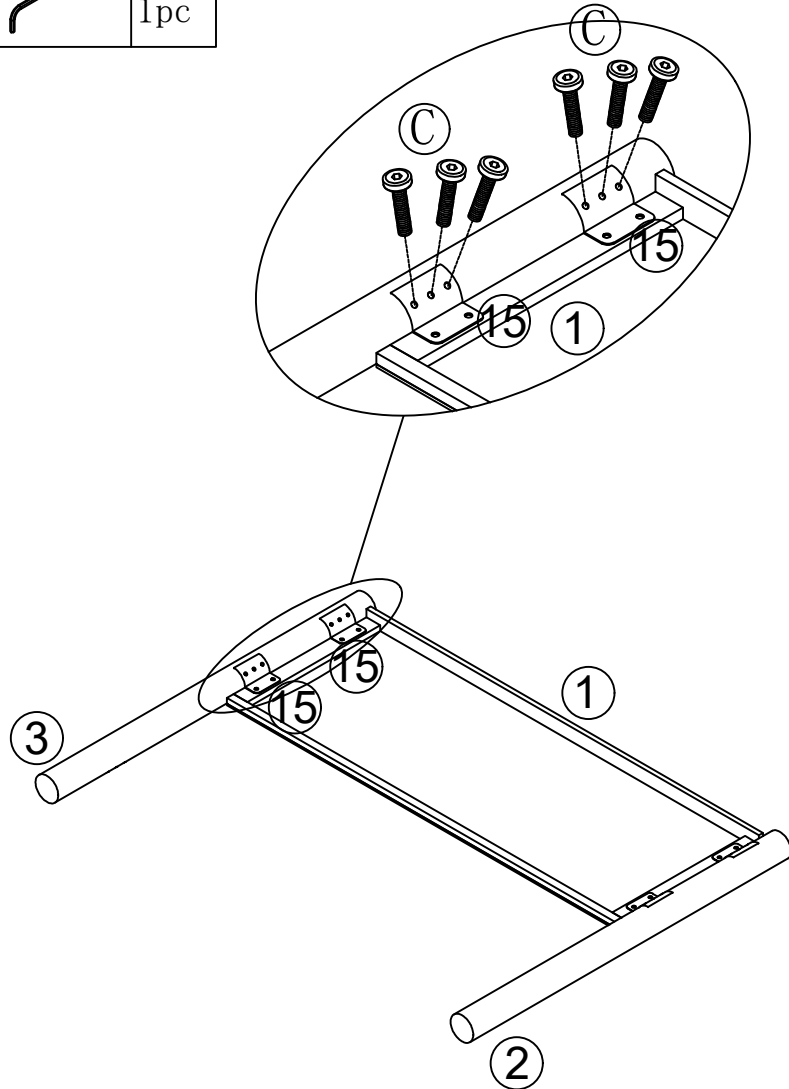




C	 M8x35	6pcs
E		1pc

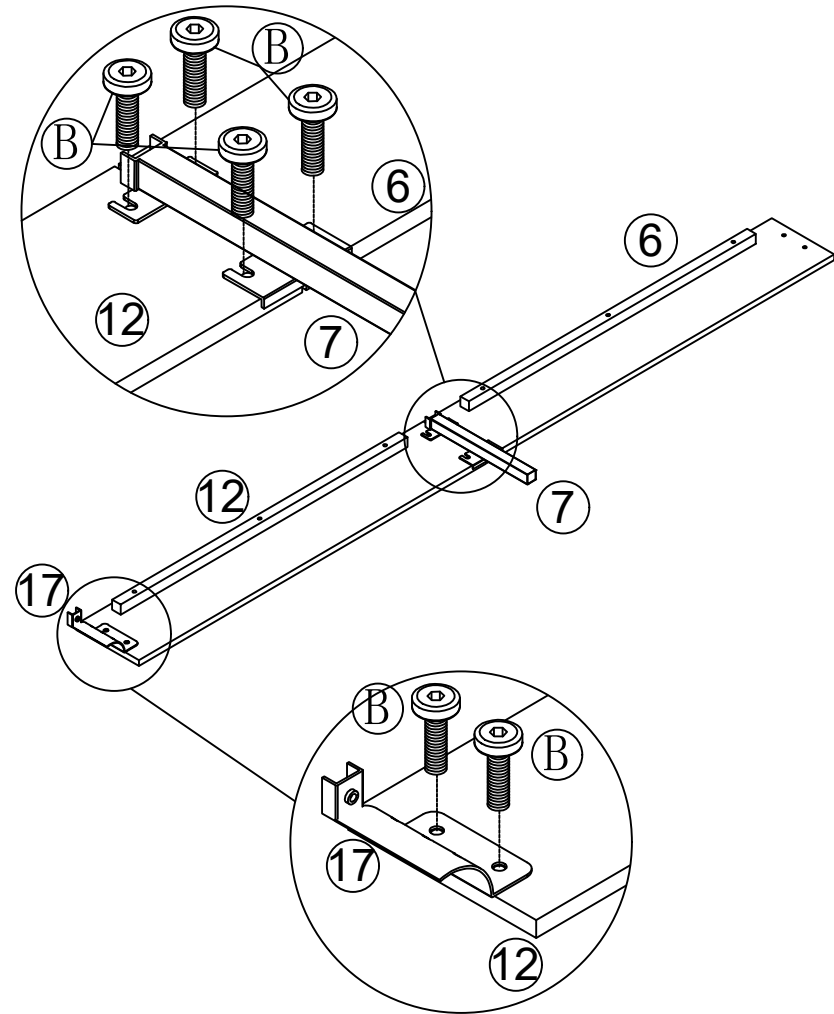


Assembly Instruction



C	 M8x35	6pcs
E		1pc

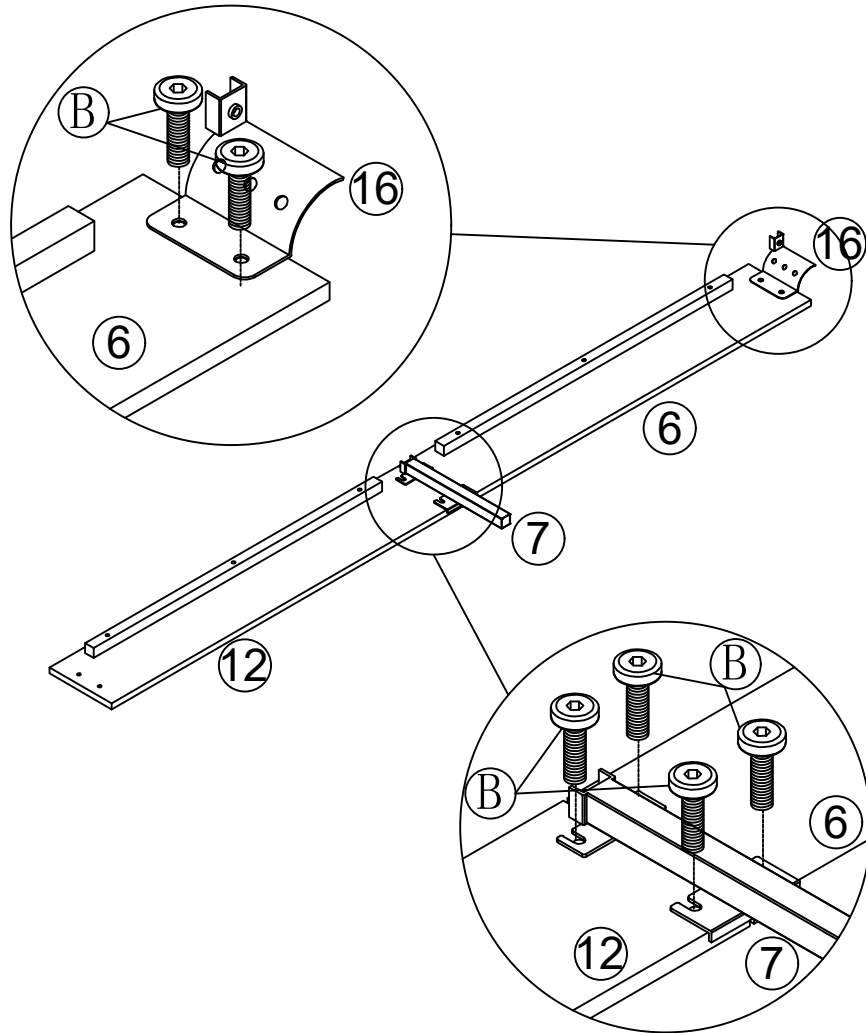




B	 M8x18	6pcs
E		1pc

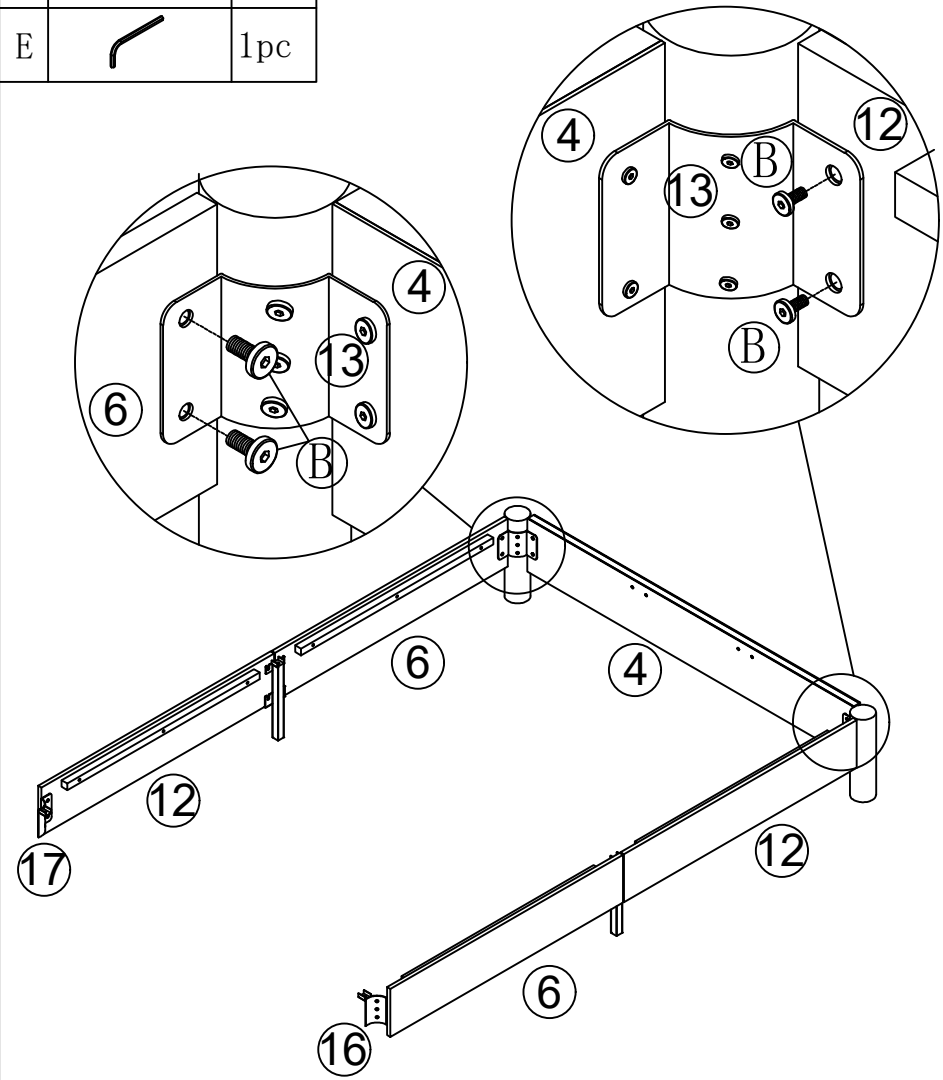


Assembly Instruction



B	 M8x18	6pcs
E		1pc

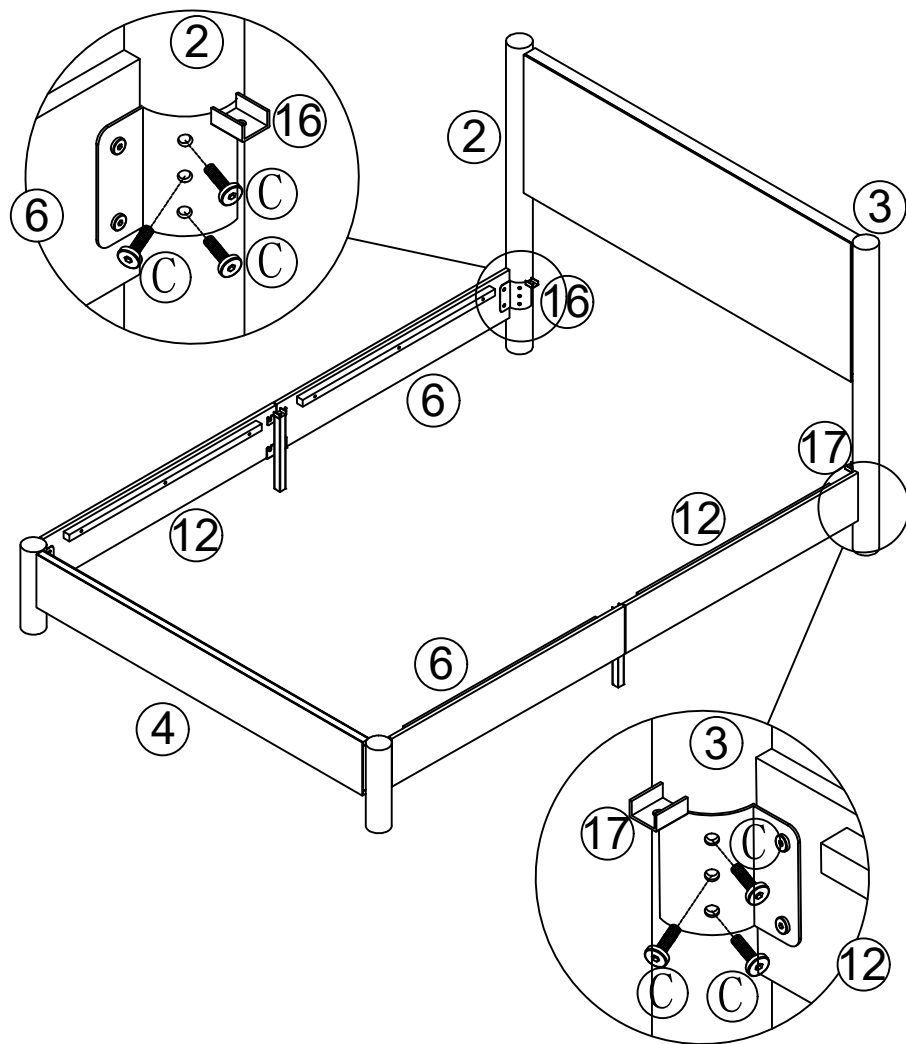




B	 M8x18	4pcs
E		1pc

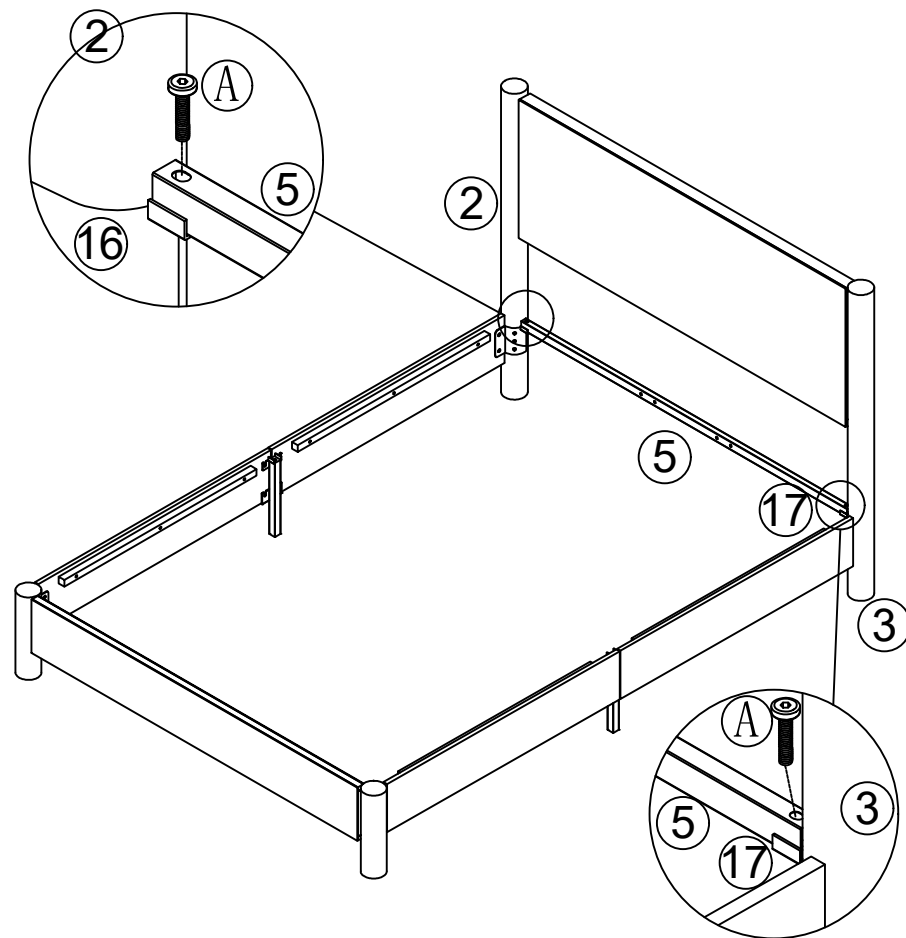


Assembly Instruction




C	 M8x35	6pcs
E		1pc

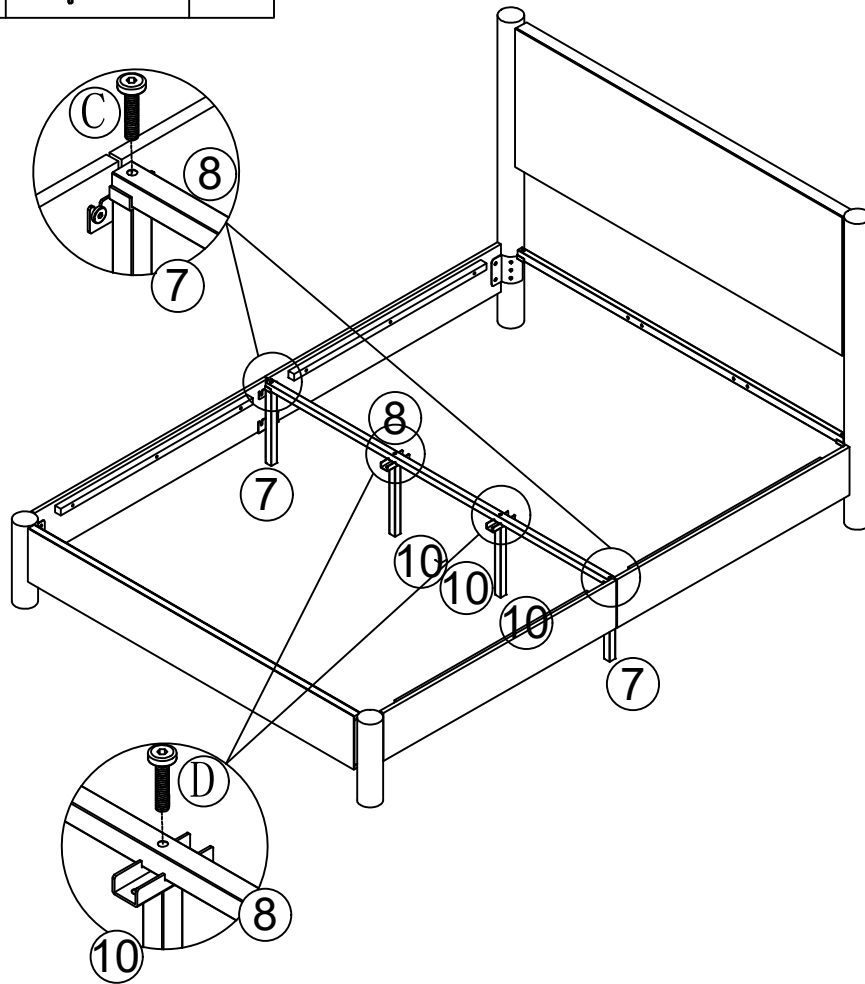




A	 M6x40	2pcs
E		1pc

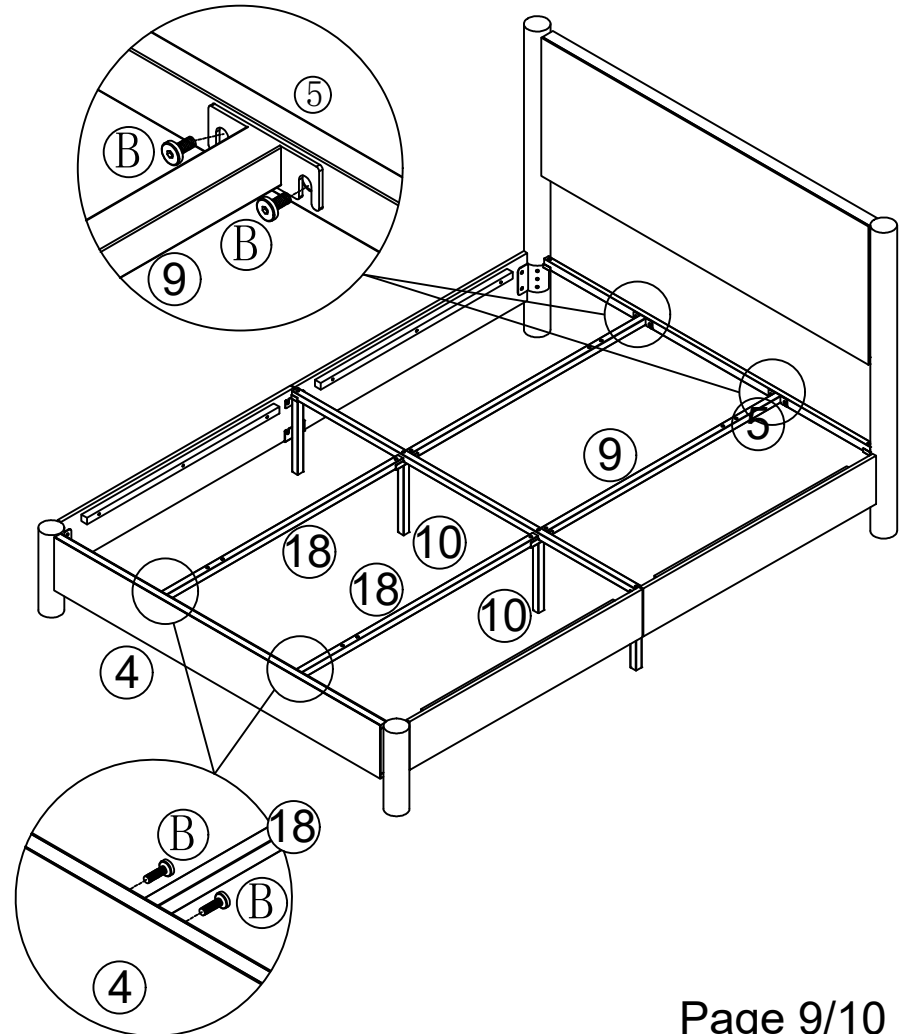


Assembly Instruction



C	 M8x35	2pcs
D	 M8x45	2pcs
E		1pc



B	 M8x18	8pcs
E		1pc



Assembly Instruction

C	 M8x35	12pcs
E		1pc

