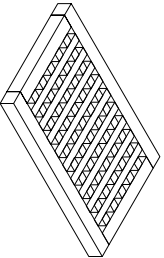
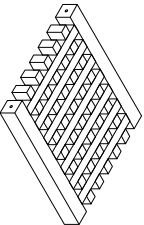
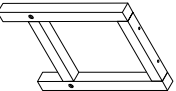


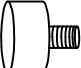



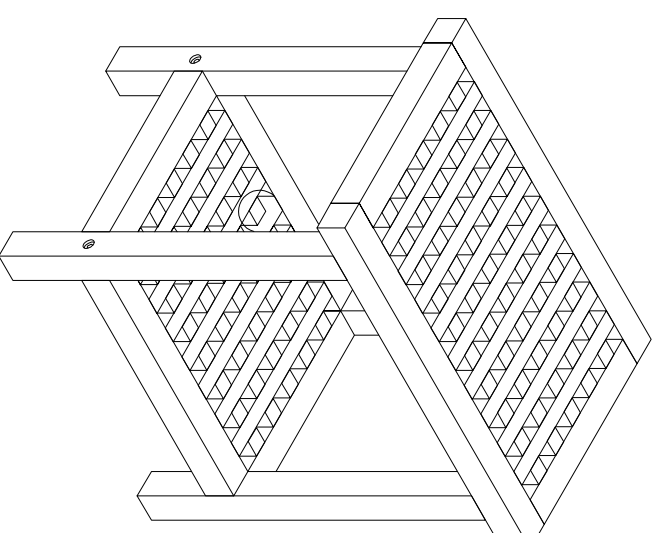
JONATHAN Y

MODEL#STL1003

Product Dimension: 11.8"D x 18.1"W x 17.7"H

Part List and Hardware List

1	Face Cluster 1		1x
2	Face Cluster 2		1x
3	Legs		2x
A	Bolt	 M6x50 mm	4x
B	Screw	 M6x60 mm	4x
C	Foot Cap		4x
D	Allen Key	 M4	1x



If there are any questions relating to defects, missing parts, assembly issues or replacements, please send a detailed email to [cs@jonathany.com](mailto:cs@jonathany.com).

