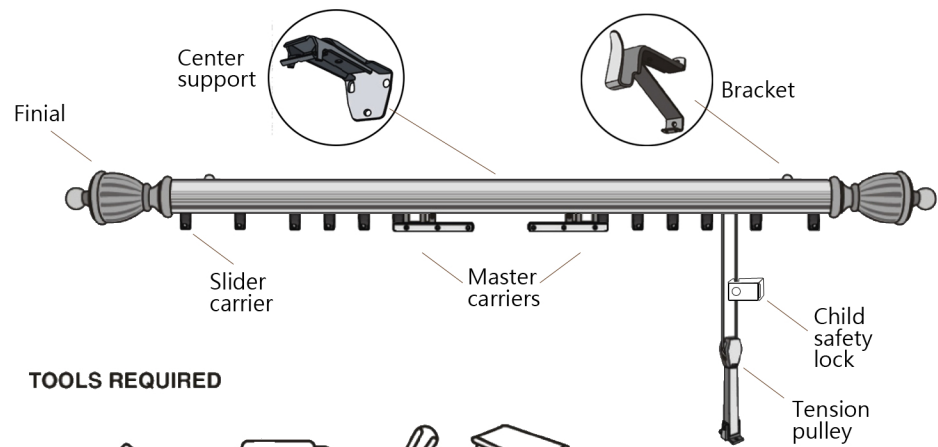
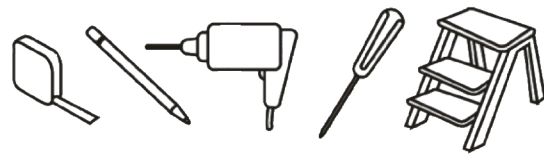


## DECORATIVE TRAVERSE INSTALLATION INSTRUCTIONS



### TOOLS REQUIRED



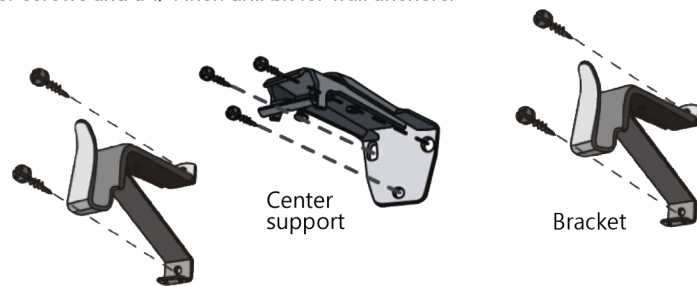
PLEASE READ

**Adapter A are used with screw-in base finials**  
**Adapter B are used with slide-on finials**

### 1 INSTALLATION OF BRACKETS AND CENTER SUPPORTS

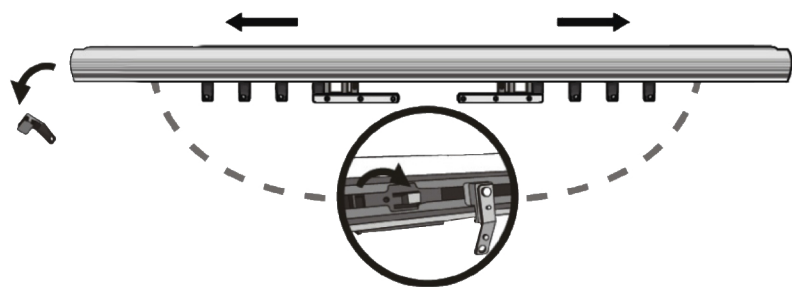
Measure carefully, using a measuring tape. Height: Determine location where bottom of drapery will be then add 1-1/2 inch to drapery length to allow for the height of the rod and add an additional 1 inch (minimum) for floor clearance for full length drapes. Width: Ready made draperies generally require 4 inch for return to the wall on each side and 4 inch for center overlap - thus a total of 12 inch must be subtracted from the actual width of the drapery panels. The instructions that come with your draperies should inform you of the actual amount allocated for the return and overlap. For a one way draw installation there is only one return and no overlap.

Mark bracket location with a pencil, and make sure brackets and center supports are level. Center supports should be evenly spaced between the outer brackets and placed where the outer and inner rod meet. Attach each bracket using the 1-1/4 inch screws. Use wall anchors when attaching to hollow drywall. Use a 3/32 inch drill bit for screws and a 1/4 inch drill bit for wall anchors.

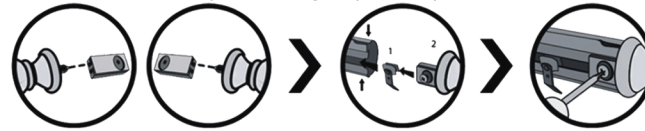


### 2 REMOVE EXTRA SLIDERS

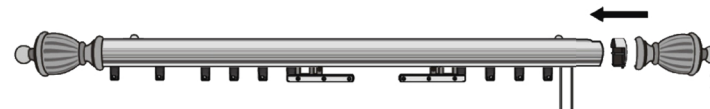
Count the number of sliders needed for your draperies and then remove the extra ones. One slide is required for each pleat and one for each master carrier (2 masters for Center Draw, 1 master for one way draw). Remove slides by pressing down on stop switch and slide out of the end of rod.



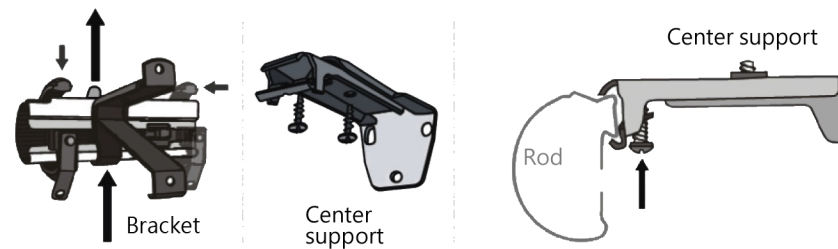
**3 ATTACH FINIALS TO ROD (ADAPTER A)**  
 Attach finial adapter to finial by screwing the finial into the adapter's top hole as shown below. Ensure that adapter is screwed in completely until it is flush with the finial's base. Next, insert one slider along with the assembled finial adapter into the end of the rod. The grooves in the slides and adapters should correspond with the inside edges of the rod. Compress the top and bottom of the edge of the rod (directions shown in arrow in below images) while sliding in the finial adapter. Ensure the edges of the rod are fully inserted into the finial's opening. It will expand and lock the finial in place when released. Finally tighten the screw on the adapter securely. Repeat the process for the other side.



**SLIDE FINIAL INSERTS INTO ENDS OF ROD AND THEN ATTACH DECORATIVE FINIALS TO THE ENDS OF ROD (ADAPTER B)**



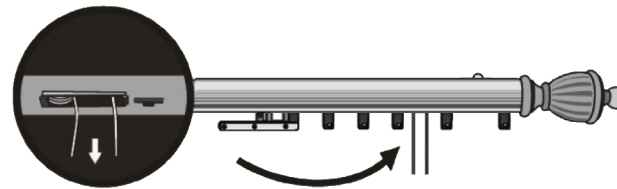
**4 ATTACH ROD TO BRACKETS**  
 Loosen cord completely and slide tension pulley and child safety lock all the way down the cord. Extend the rod as necessary to set it onto the end brackets through the slots on both ends of the rod making sure there is one slide between the finial and the bracket on each side or one side for the one way draw. Attach the center support(s) to the rod as illustrated. The top of the center support bracket rests on top of the rod. Then loosen the metal clamp so that it engages the ridge on the back of the rod and then tighten it against the ridge to hold the rod firmly in place. To adjust bracket if needed, loosen the screw on the bracket slightly, then adjust and re-tighten.



**5 CENTER THE MASTER CARRIERS**  
 After extending the rod, it is necessary to re-center the master carriers by hand. Slide the master carriers to the opposite ends of the rod as far as they will go. Pull the cords completely tight, then slip the cord under the tab on the underlap master carrier as illustrated.



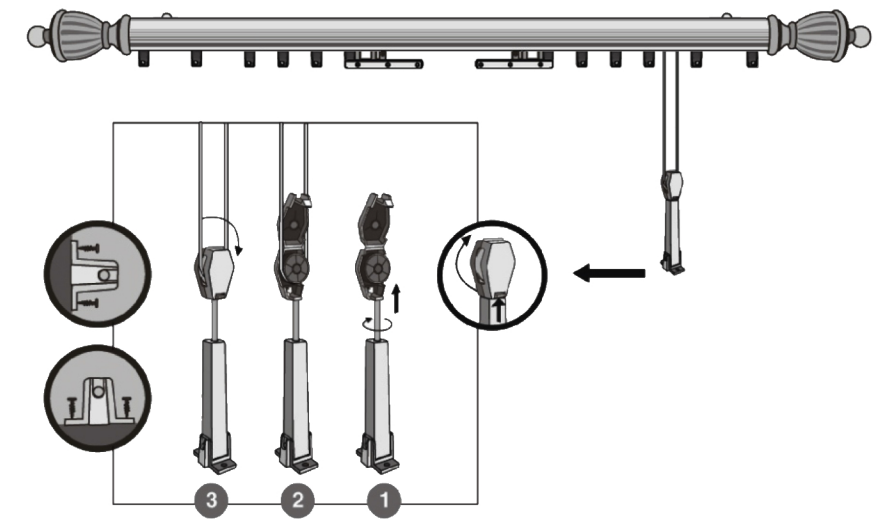
**a NOTE:** The amount of overlap can be adjusted by unscrewing the master carrier arms and repositioning them. To reverse cord position from the right side to the left side, simply pull the cord out from the pulley on the left side of the rod. The master carriers will need to be re-centered as described above.



**b** To convert the rod to be one way right / left draw, separate the inner/ outer rod segments and remove desired omitted side's master carrier and sliders. If converting rod to be one way left, remove the right master's overlap arm and use it to replace the left master's underlap arm. Slide the remaining sliders in behind the remaining master carrier and put the rod back together.



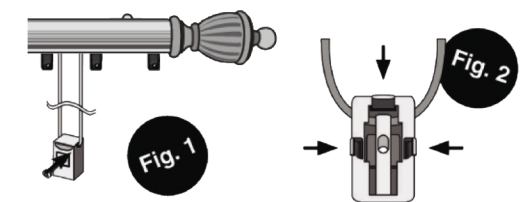
**6 ATTACH THE TENSION PULLEY**  
 The tension pulley can be attached to a wall, window sill or floor as desired using 1-1/4" screws (note that the base can be temporarily removed from the tension pulley to make attachment easier)



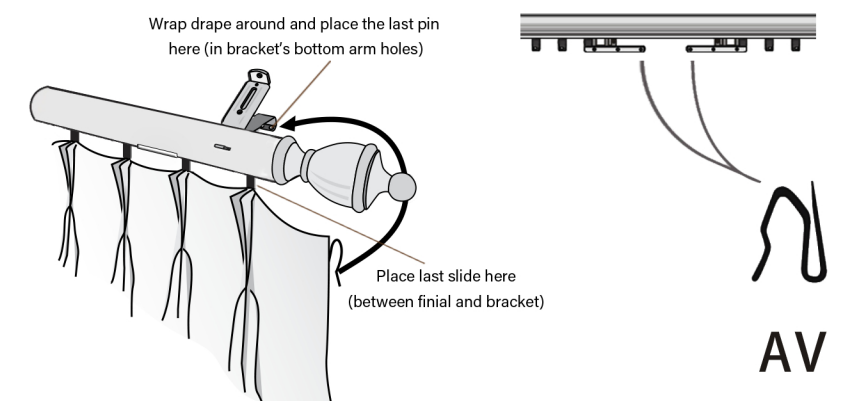
**a** To adjust the cord length, close the drapes fully having the 2 master carriers meet in the middle of the rod. Then carefully untie the knot behind the right master carrier and pull both ends of the cord loop (2 strings) out fully until the cord loop has been pulled through and there is the desired amount of tension. Have a partner pull the head of the tension pulley up till it's fully extended while you pull the cords to ensure proper tension. Trim the excess and retie the knot by wrapping the cord ends around a finger and then pulling them through. Place the knot under the master carrier's tab.

**7 CHILD SAFETY CORD LOCK:** These secure the cord to the wall to protect small children. Guide is pre-attached to the cord. Mount the guide to the wall at the desired height using the included screw. Tighten the screw until the cord slides through the device freely. (See Fig. 1)

**CHILD SAFETY CORD LOCK REMOVAL:** Open the the three clips on the back of the device. (See Fig. 2) Split the lock open and remove the cord lock.



**8 HANG THE DRAPERIES**  
 Start at the master carrier on each side. Reverse the first pin on the overlap master (attach the hook of the pin from behind the carrier arm - see illustration) then attach each pleat to a slide arm. The ends of the drapery (not the pleat) can be pinned to the end bracket on each side of the rod to create a "return" to the wall. See illustration.



AV