

# 5 PCS Patio Conversation Set

## USE AND CARE GUIDE



**Chair x 2    3-Seat sofa X 1**  
**Coffee table X 1    Ottoman X 1**

---

**Questions, problems, missing parts?**

Before returning to the store, please contact our Customer Service

---

### **THANK YOU**

We appreciate the trust and confidence you have placed in our store by purchasing this 5 PCS Patio Conversation Set. We strive to continually create quality products designed to enhance your home. Visit us online to see our full line of products available for your home improvement needs.

# Table of Contents

<b>Table of Contents</b> .....	<b>01</b>
<b>Important Safety Information</b> .....	<b>02</b>
- Product Caution .....	<b>02</b>
- Safety Warnings .....	<b>02</b>
<b>Warranty</b> .....	<b>03</b>
<b>Pre-Installation</b> .....	<b>03</b>
- Planning Installation .....	<b>03</b>
- Hardware Included .....	<b>04</b>
<b>Installation</b> .....	<b>06</b>
<b>Care and Cleaning</b> .....	<b>19</b>

# Important Safety Information

## Product Caution

### Before You Start

- Important: Retain these instructions for future reference.
- When you are ready to start, make sure that you have the right tools, plenty of space and a clean, dry area for assembly.
- Unwrap all packaging materials and place the components on top of the carton box or on a clean floor to prevent it from scratching.
- Check the pack and make sure you have all the parts listed.
- Do not use power tools to construct this product.
- Ensure that this product is fully assembled as illustrated before use.

## Safety Warnings

- Use this furnishing only for its intended use as described in these instructions. Do not use attachments not recommended by the manufacturer.
- Do not move the furniture set while it is occupied. Failure to obey this caution could result injury.
- When placing in the desired location, ensure that all legs are resting on the same surface.
- To prevent damage, place all parts on a soft surface during assembly.
- This set was made for the explicit purpose of providing outdoor functions and is not to be used as a toy. This product is intended for normal outdoor use; However, the manufacturer recommends storing and/or covering this product when any formidable/severe weather is approaching.
- If any parts are missing, broken, damaged, or worn, stop using this product until repairs are made and/or factory replacement parts are installed.
- Reconfirm that all bolts, screws, and knobs are secure every 90 days.
- This product should only be used on firm, level ground.
- Keep small parts out of reach of children.
- Do not tighten screws until fully assembled.
- Do not overtighten screws or bolts.
- Do not sit on the arms of the chair.

# Warranty

## 1 YEAR FRAME, WEAVE AND FABRIC WARRANTY

### What Is Covered

We warrant the frame, weave and fabric to be free of manufacturing defects to the original purchaser for 1 year. For glass table top we warrant 30 days from the date of purchase.

### What Is Not Covered

This warranty does not cover commercial use, hardware, acts of nature, reuse, freezing and abusive use. In addition, purchased parts are not covered under this warranty. We reserve the right to make substitutions with similar merchandise, if the model in question is no longer in production.

## Pre-Installation

### Planning Installation

To prevent damage, place all parts on a soft surface during assembly. Remove all protective caps before beginning assembly



TABLE  
200 LBS  
CAPACITY

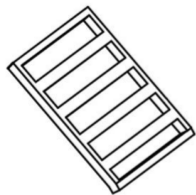


CHAIR  
300 LBS  
CAPACITY

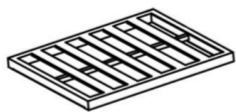


RECOMMENDED  
FOR 2 PEOPLE  
ASSEMBLY

Parts Included



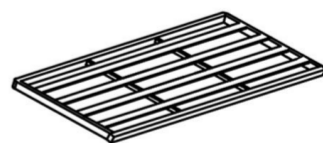
**A1**  
(2pcs)



**B1**  
(2pcs)



**C1**  
(3pcs)



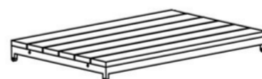
**A2**  
(1pc)



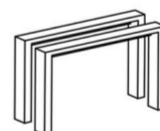
**B2**  
(1pc)



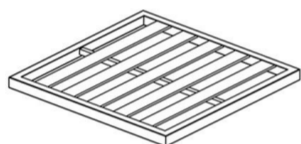
**C2**  
(3pcs)



**B3**  
(1pc)



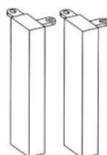
**C3**  
(2pcs)



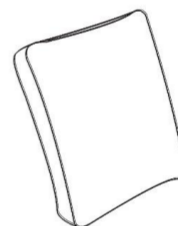
**B4**  
(1pc)



**C4-1**  
(2pcs)



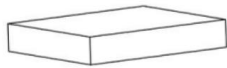
**C4-2**  
(2pcs)



**D**  
(5pcs)



**E**  
(5pcs)



**F**  
**(1pc)**



**M1**  
**(1pc)**



**M2**  
**(1pc)**



**1**  
**(8pcs)**  
**M6X15**



**2**  
**(12pcs)**  
**M6X25**



**3**  
**(20pcs)**  
**M6X30**



**4**  
**(8pcs)**  
**M6X55**



**5**  
**(48pcs)**



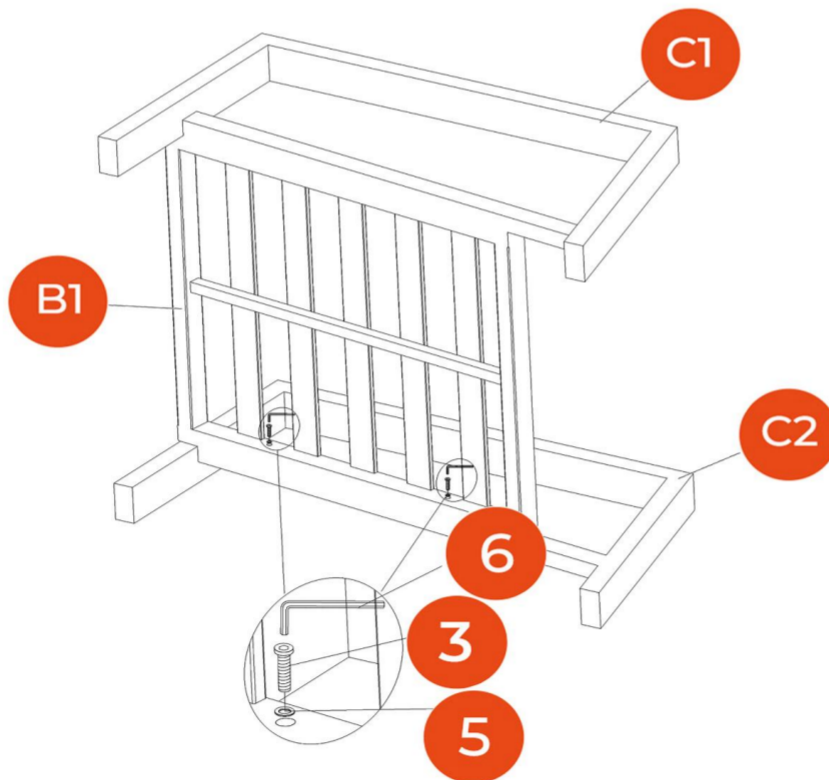
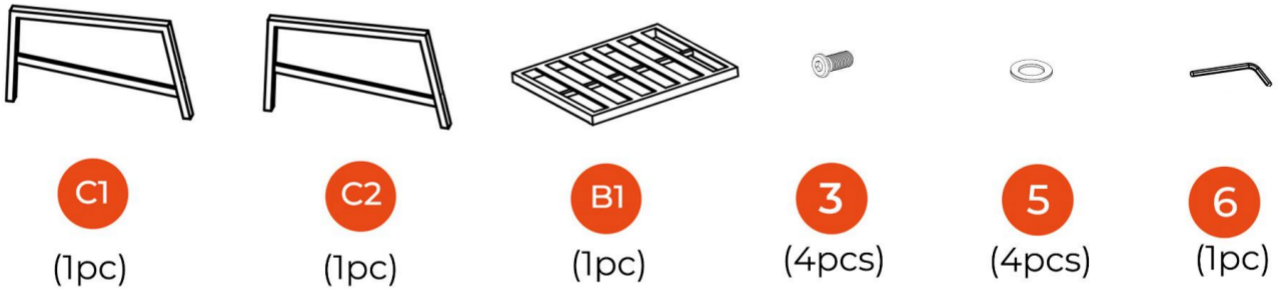
**6**  
**(1pc)**

Part	Description	Quantity
A1	Chair Back Frame	2
B1	Chair Seat Frame	2
C1	Chair Left Armrest	3
A2	3-Seat Sofa Back Frame	1
B2	3-Seat Sofa Seat Frame	1
C2	Chair Right Armrest	3
B3	Coffee Tabletop	1
C3	Coffee Table Leg	2
B4	Ottoman Seat Frame	1
C4-1	Ottoman Leg 1#	2
C4-2	Ottoman Leg 2#	2
D	Chair Back Cushion	5
E	Chair Seat Cushion	5
F	Ottoman Seat Cushion	1
M1	Middle Leg 1#	1
M2	Middle Leg 2#	1
1	Bolt(M6X15 MM)	8
2	Bolt(M6X25 MM)	12
3	Bolt(M6X30 MM)	20
4	Bolt(M6X55 MM)	8
5	Washer	48
6	Allen Key	1



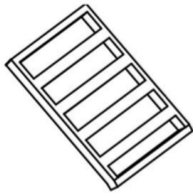
## STEP 1.1

Check all parts on list and lay them on a clean and soft surface. Attach armrests (C1 & C2) to seat frame (B1) with bolts(3) and washers(5) using allen key(6). Do not tightern all the bolts completely untill all bolts are in place.



## STEP 1.2

Attach the back frame(A1) to the armrests (C1 & C2) with bolts(3) and washers(5) using allen key(6). Attach the back frame(A1) to the seat frame (B1) with bolts(4) and washers(5) using allen key(6). Tighten all bolts completely in this step.



**A1**

(1pc)



**3**

(2pcs)



**4**

(2pcs)



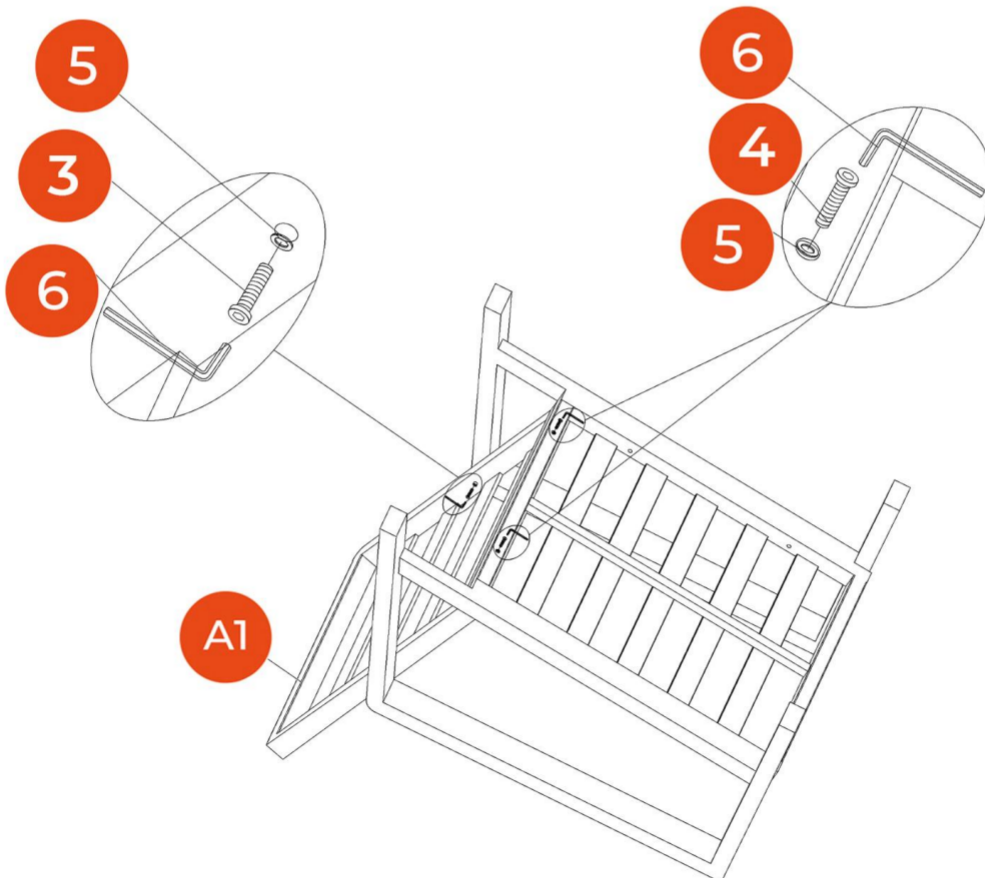
**5**

(4pcs)



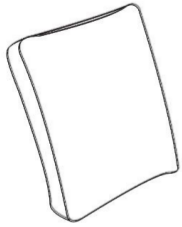
**6**

(1pc)

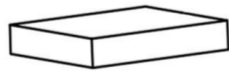


## STEP 1.3

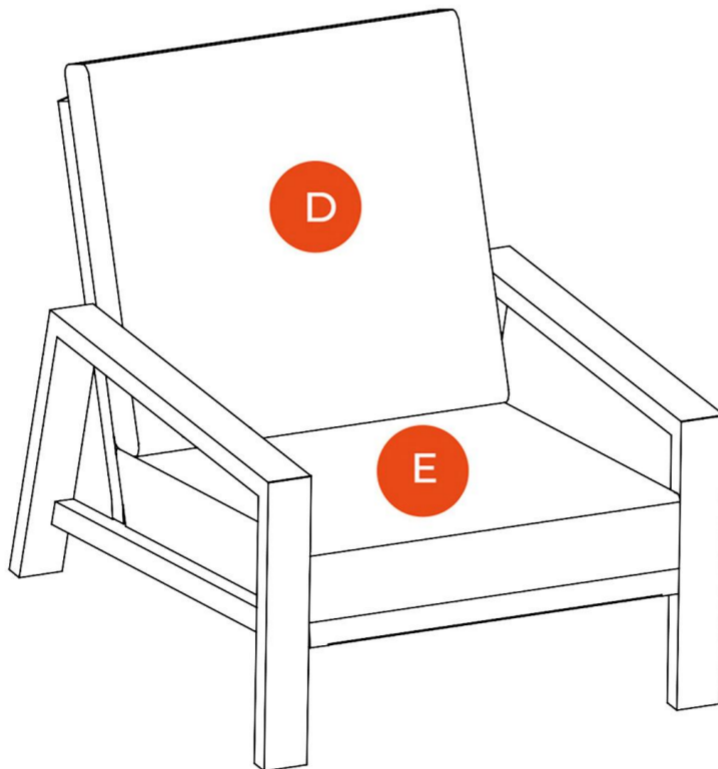
Reverse the chair to upright position ,then put the seat cushion(E) and back cushion(D) on it. Repeat the Step 1.1 to Step 1.3 to get the 2nd chair ready.



**D** (1pc)

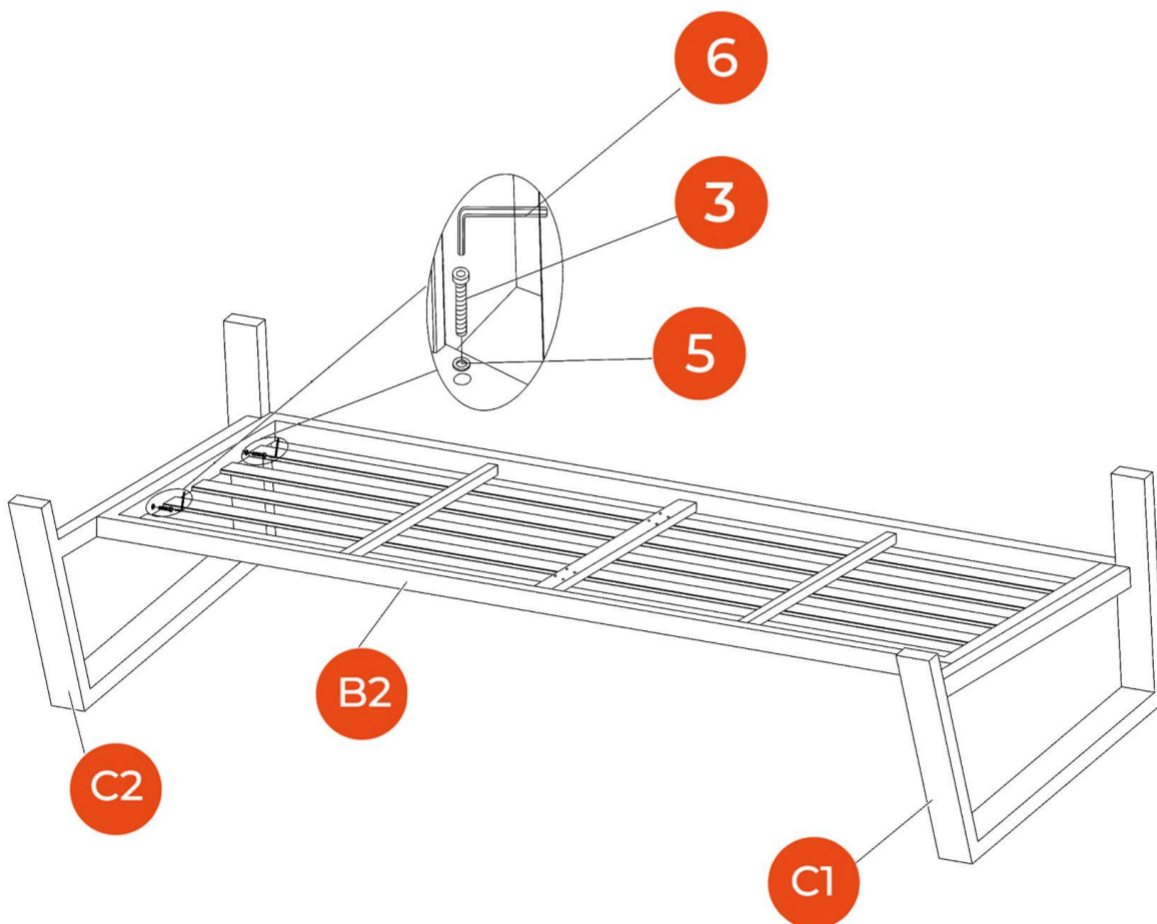
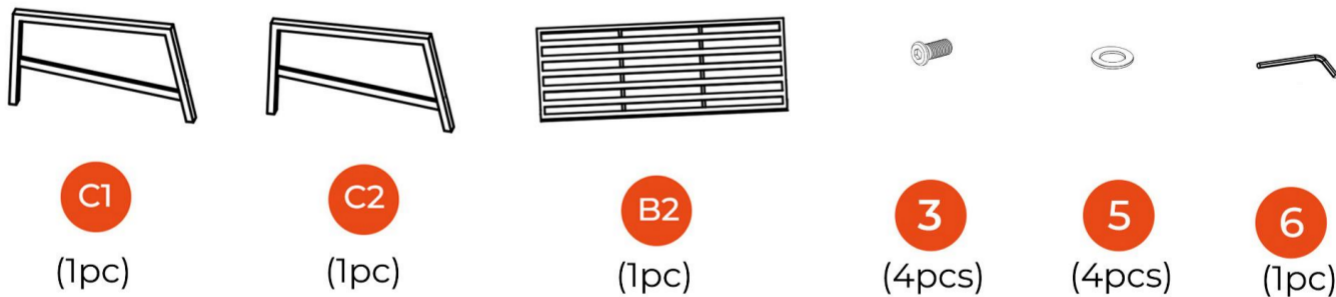


**E** (1pc)



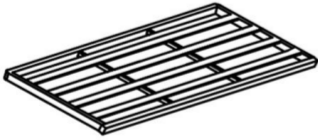
## STEP 2.1

Attach armrests (C1 & C2) to seat frame (B2) with bolts(3) and washers(5) using allen key(6). Do not tighten all the bolts completely until all bolts are in place.



## STEP 2.2

Attach the back frame(A2) to the armrests (C1 & C2) with bolts(3) and washers(5) using allen key(6). Attach the back frame(A2) to the seat frame(B2) with bolts(4) and washers(5) using allen key(6). Tighten all bolts completely in this step.



**A2**  
(1pc)



**3**  
(2pcs)



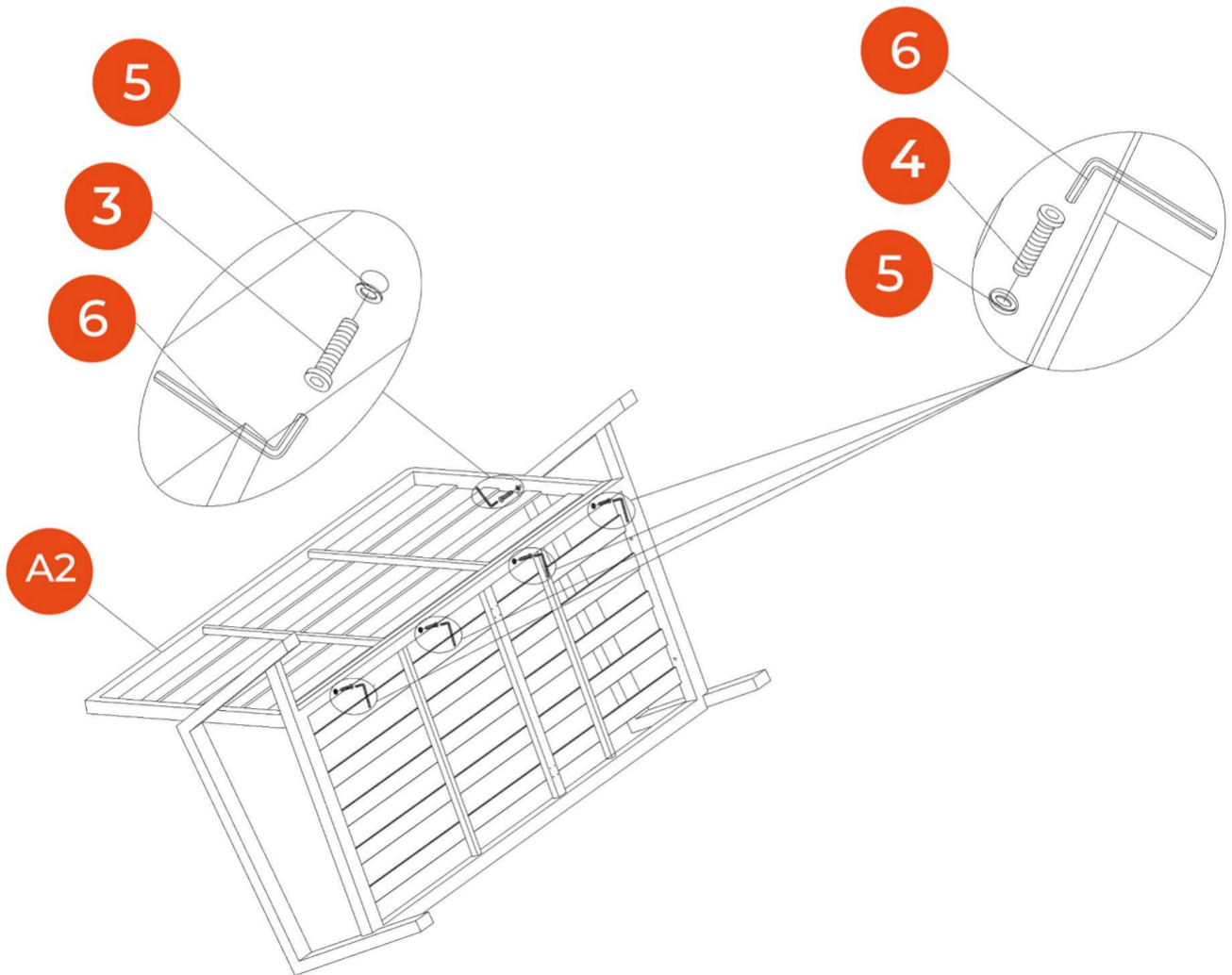
**4**  
(4pcs)



**5**  
(6pcs)

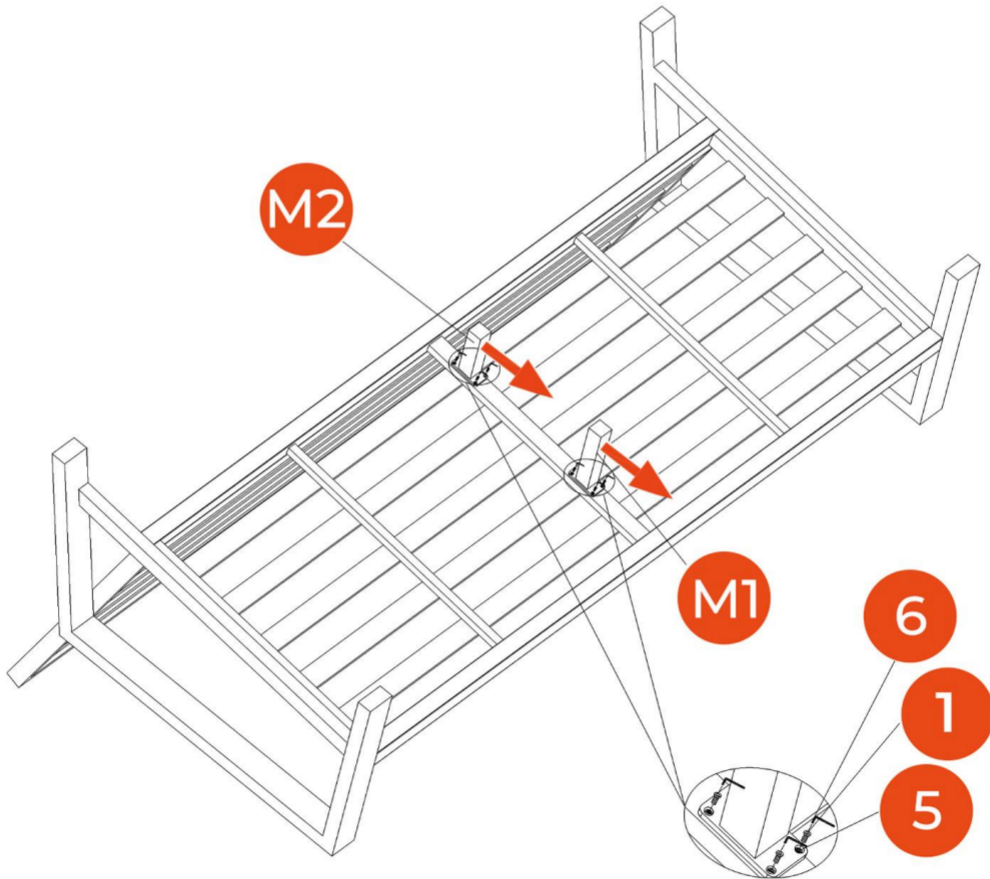


**6**  
(1pc)



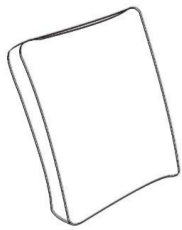
## STEP 2.3

Attach the middle leg(M1)and middle leg(M2) to the seat frame(B2) with bolts(1) and washers(5) using allen key(6). Do make sure the middle legs( M1 & M2) are placed according to the arrow pointed direction on the middle legs otherwise you will do it wrong.

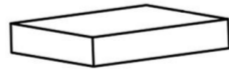


## STEP 2.4

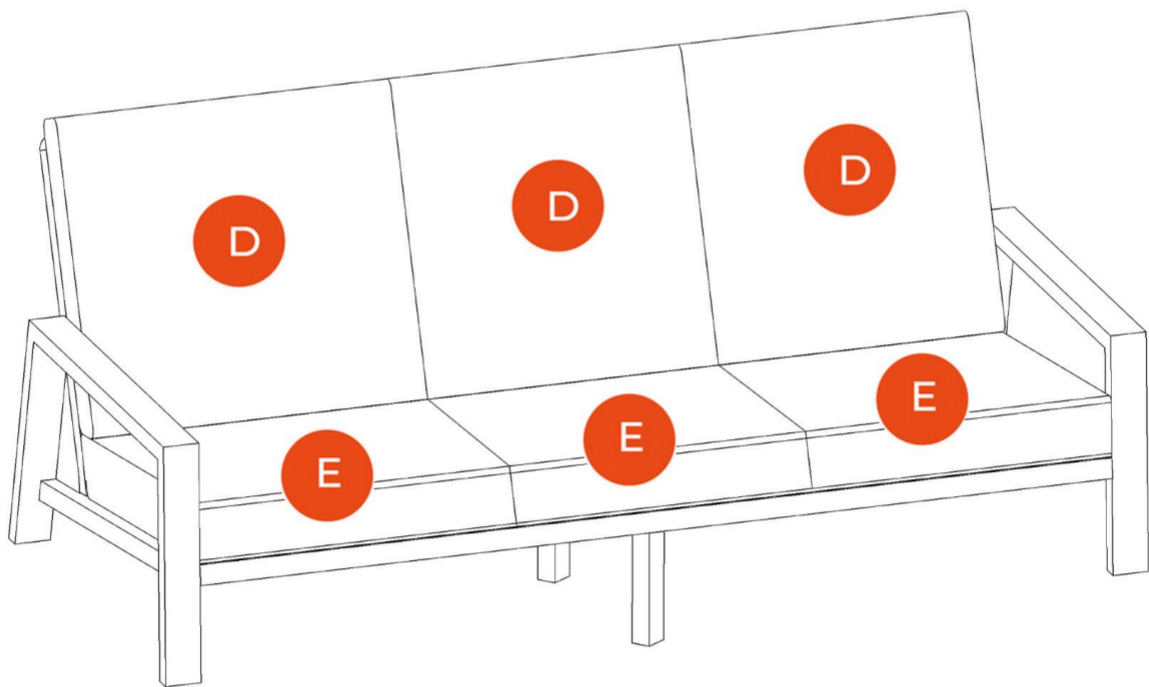
Reverse the 3-seat sofa to upright position ,then put the seat cushion(E) and back cushion(D) on it.



**D** (3pcs)

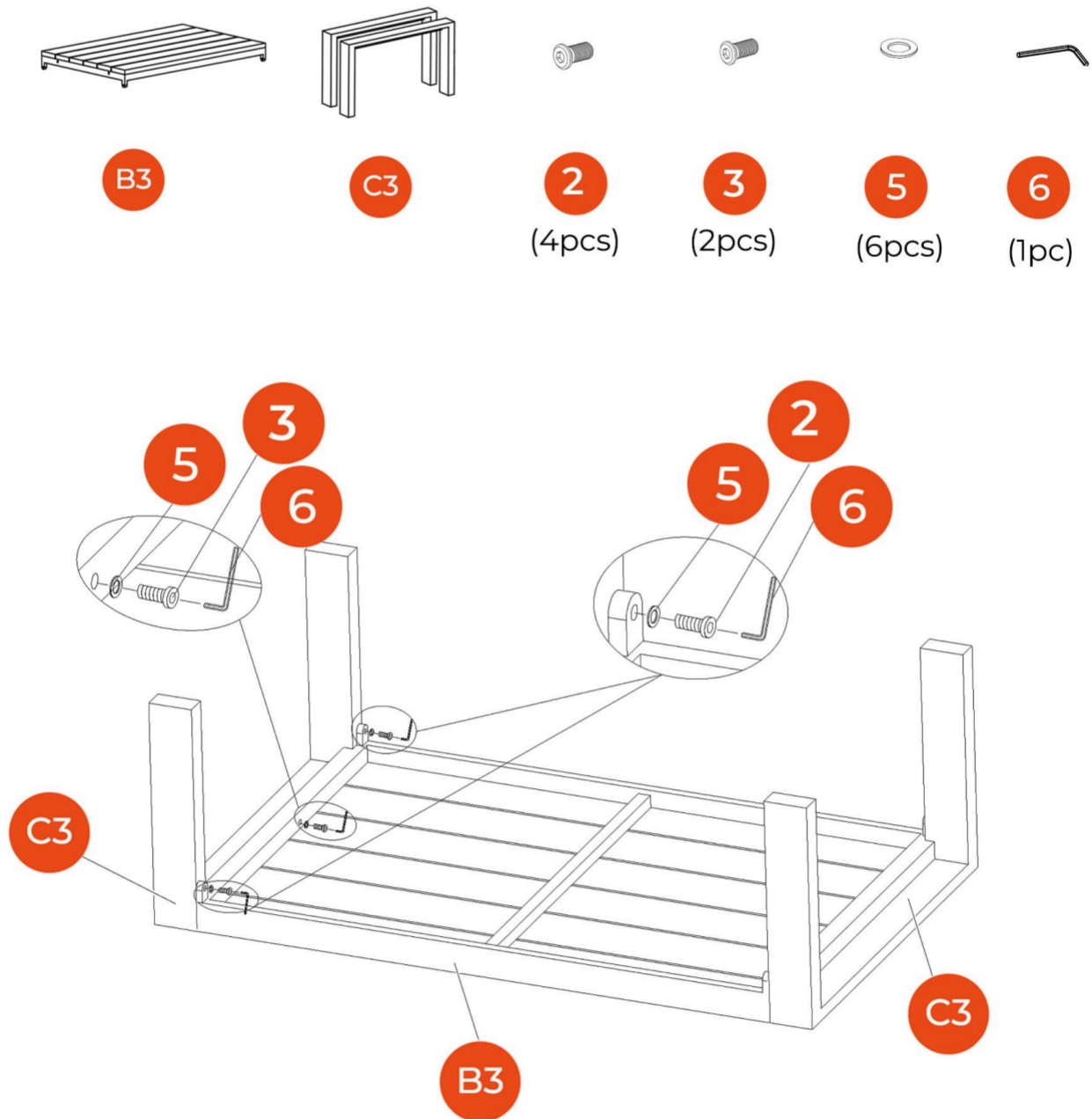


**E** (3pcs)



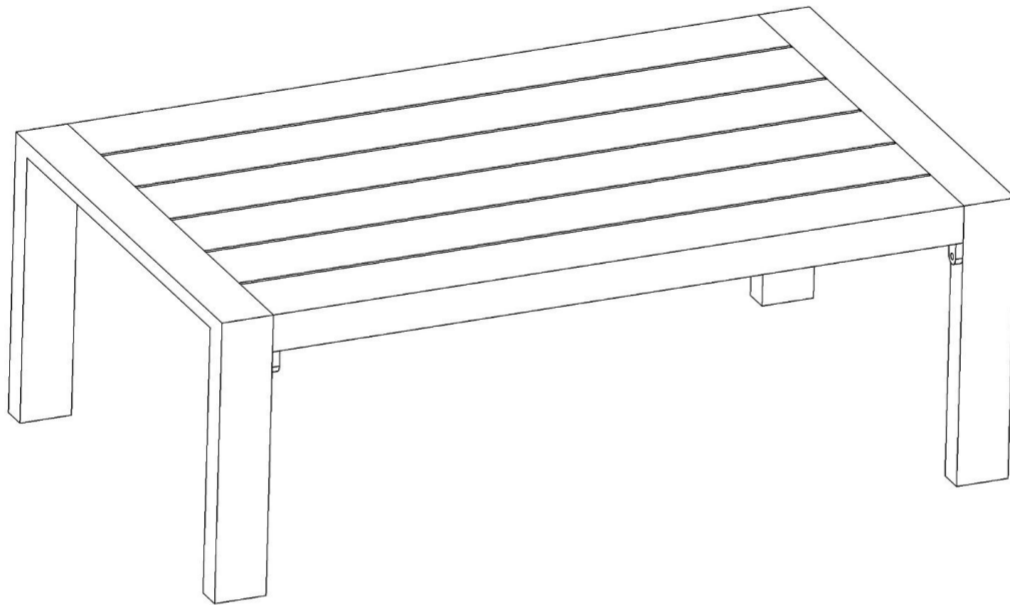
### STEP 3.1

Lay the coffee tabletop(B3) on a soft and clean surface. Attach table leg(C3) to it with bolts(2),bolts(3) and washers(5) using allen key(6). Tighten all bolts completely when bolts are in place.



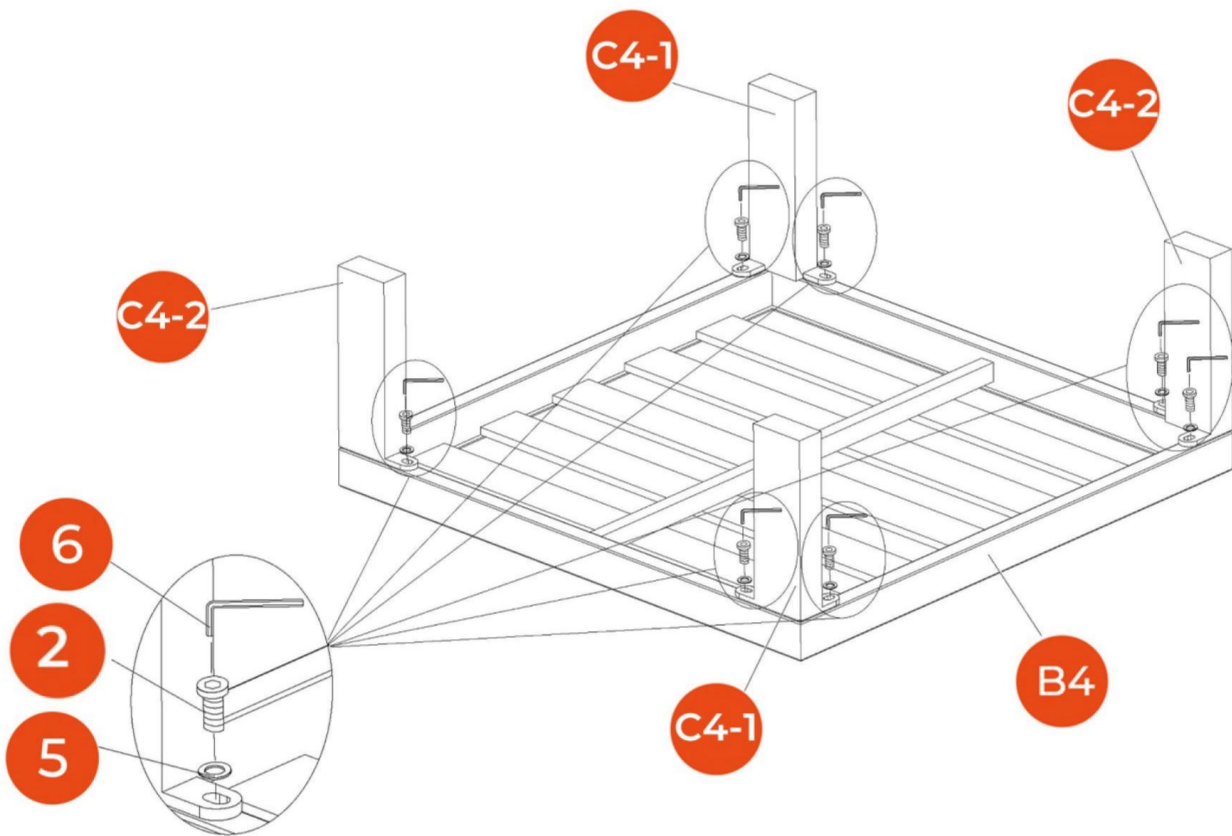
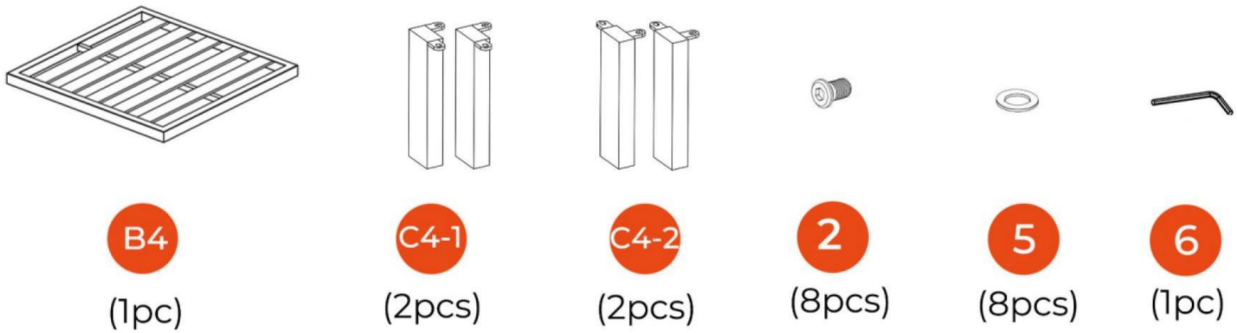
## STEP 3.2

Reverse the coffee table to upright position.



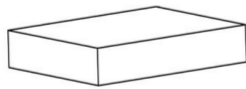
## STEP 4.1

Lay the ottoman seat (B4) on a soft and clean surface. Attach the legs (C4-1&C4-2) to it with bolts (2) and washers (5) using allen key (6). Tighten all bolts completely when all are in place.



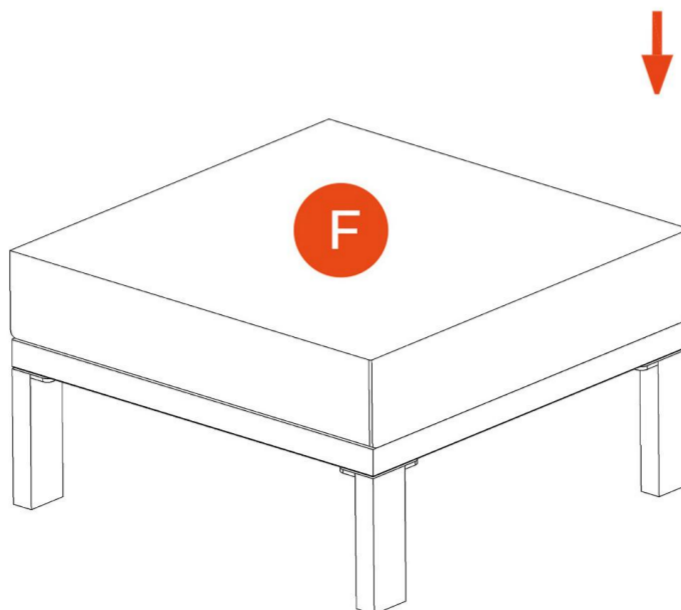
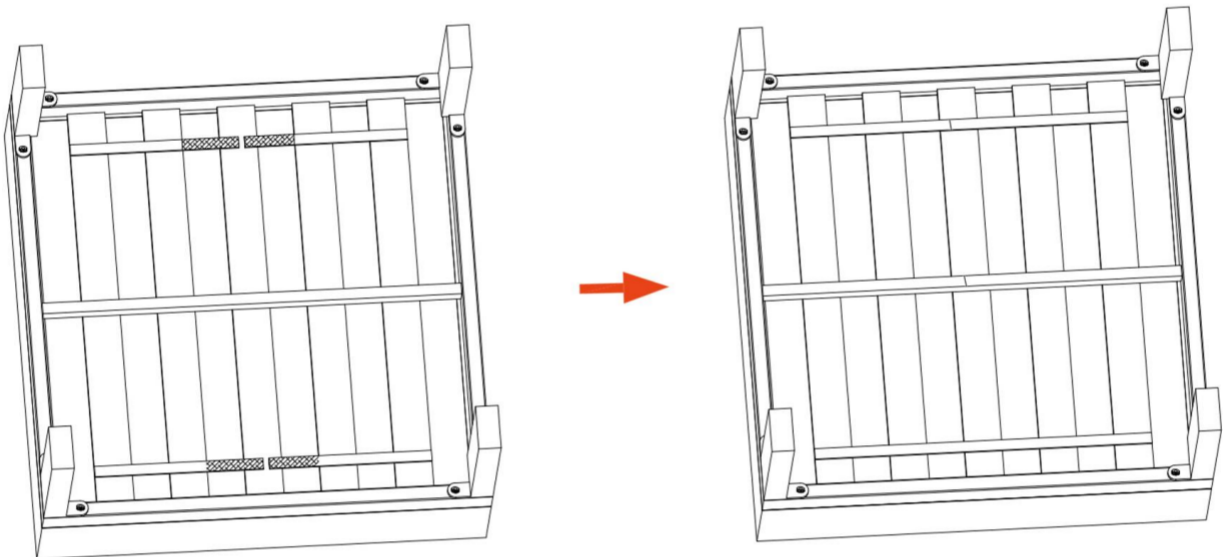
## STEP 4.2

Secure the cushion (F) onto the ottoman seat (B4) using the strap with velcro underneath the cushion(F) , then reverse the ottoman to upright position.



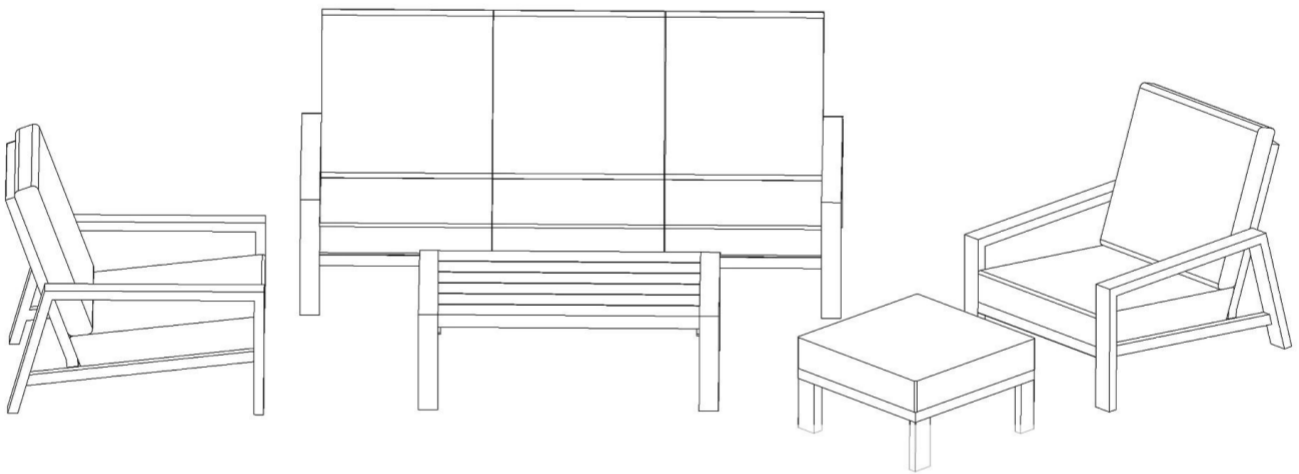
F

(1pc)



## STEP 5.1

When all products are assembled, move them to your desired place to put them. Now you can enjoy this set.



## Care and Cleaning

- To clean wipe with a sponge and warm soapy water then wipe with a dry, clean cloth.
- Do not use solvent based cleaners or detergents as they can bleach or damage the product.
- Cushions are not suitable for dry cleaning and are not machine washable. They are sponge clean only.
- Clean the fabric using warm soapy water only. The product must be thoroughly dried afterwards to prevent mildew or mould stains from forming. Most stains can be removed with a mild soap.
- Never use a pressure hose or washer to clean the product.
- Never use scourers, abrasives or chemical cleaners.
- Wipe clean with a soft dry cloth.
- Store the product in a cool dry place. Before storage ensure that it is clean and dry.
- We recommend the use of furniture covers to protect your product when not in use. During bad weather and winter months the product should be stored in a cool dry place.
- To clean metal frame, use a soft cloth moistened in lukewarm soap and water. Then buff with a dry clean cloth.