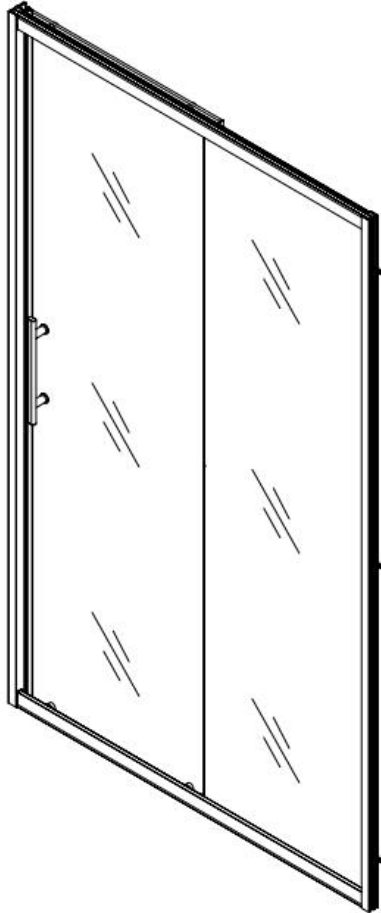


# Installation Manual

## Shower Door



**NHLF0111FCP-NA 48x72" Polished Chrome**  
**NHLF0111FMB-NA 48x72" Matte Black**



This product is heavy and may require two people to install.

## Precautions

Thank you for choosing ANNWA shower doors. To ensure the best experience, please read this manual carefully before use and follow the instructions. After reading, please properly keep the manual.

### Upon Product Delivery

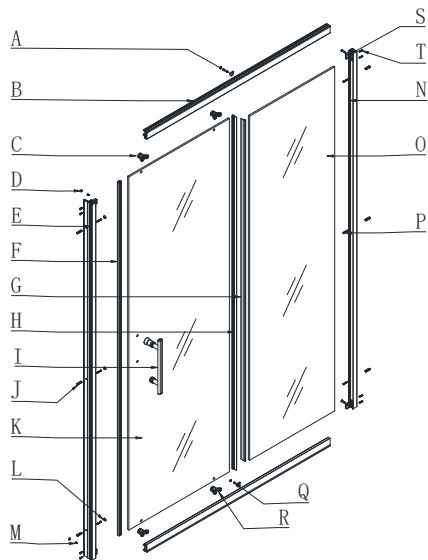
Please inspect the product immediately after receipt to ensure there is no shipping damage, missing parts, or manufacturing defects.

### Important Notes

- It is your responsibility to ensure installation complies with all local building and plumbing codes, as requirements vary by location. ANNWA is not liable for code compliance and returns will not be processed due to non-compliant installations.
- For new construction, complete all plumbing and drainage work before installing the shower door. Use a qualified and licensed plumber if required by local codes.
- Before starting installation, ensure the surface is level, solid, and capable of supporting the unit's weight. Check that the walls are square. Uneven surfaces, curved corners, or misaligned walls can cause serious installation issues. Drilling and minor adjustments may be required during installation.
- Protect all main surfaces during installation. Never place glass directly on tile—use wood or cardboard to protect the edges and corners. Keep corner protectors on until they're ready to be removed.
- Install this unit on a finished threshold and against fully finished walls.
- Do not modify or alter this product in any way. Any type of modification may result in serious injury or death. The manufacturer assumes no responsibility for any consequences arising from such modifications.
- Install this unit on a finished threshold and against fully finished walls.
- Professional installation recommended.
- This product is heavy and may require two people to install.

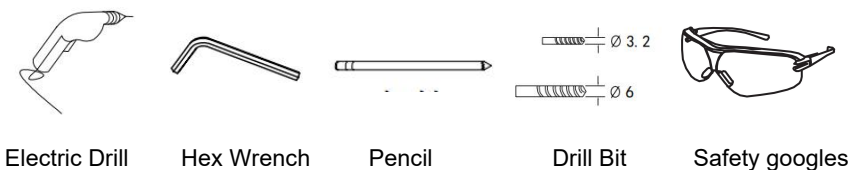
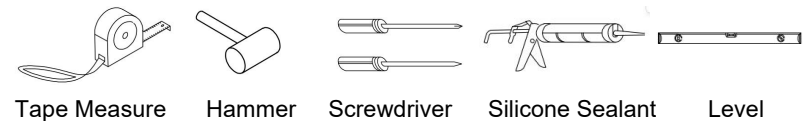
**NOTE:** This door is reversible for right or left-hand door installation. The right-hand door installation is shown as an example throughout this manual.

## Part List

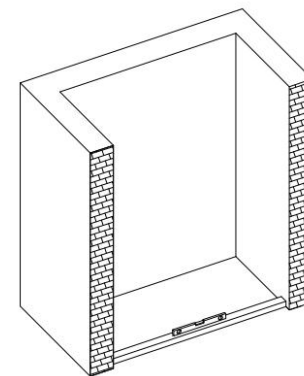


Part#	Illustration	Description	Qty	Part#	Illustration	Description	Qty
A		Glass Clamp	2 pcs	K		Sliding Door Panel	1 pc
B		Header & Threshold	2 pcs	L		Decorative Cap	3 pcs
C		Top Roller	2 pcs	M		Screw	4 pcs
D		Decorative Cap	6 pcs	N		Fixed Door Frame	1 pc
E		Sliding Door Frame	1 pc	O		Fixed Door Panel	1 pc
F		Magnetic Sliding Door Seal	1 pc	P		Screw	6 pcs
G		Fixed Door Panel Seal	1 pc	Q		Threshold Screw	2 pcs
H		Sliding Door Panel Seal	1 pc	R		Bottom Roller	2 pcs
I		Handle	1 pc	S		End Cap	4 pcs
J		Wall Anchor	6 pcs	T		Screw	8 pcs

## Installation Tools



## Preparation

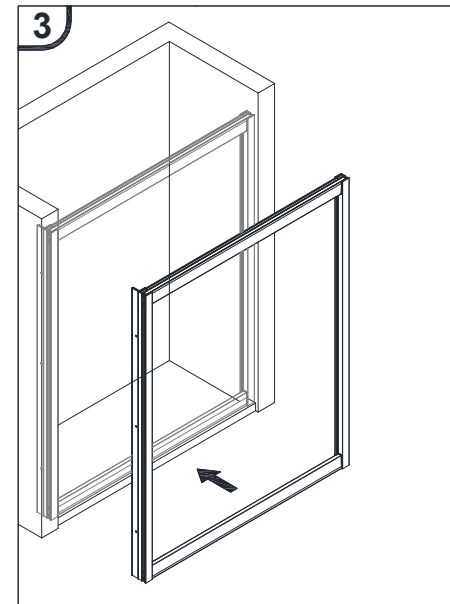
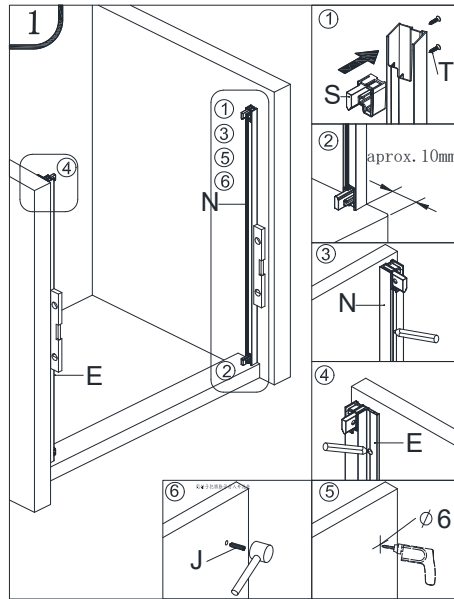


For proper door alignment and operation, confirm that the shower base ledge and walls meet the following requirements. Do not install the door if these requirements are not met.

- The shower base ledge must be level between the walls.
- Confirm the intended installation location, measure the width of the space, and ensure it complies with the product specifications.

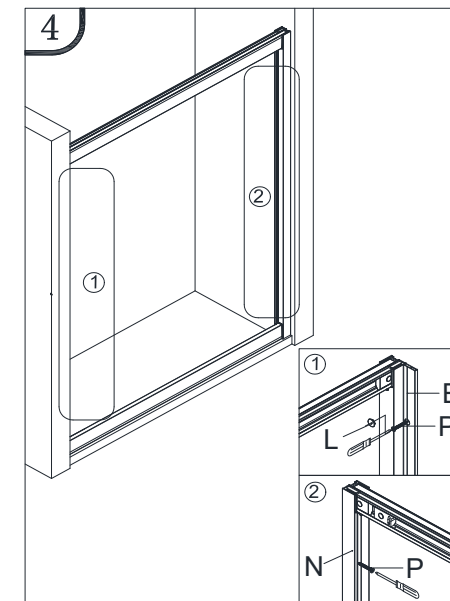
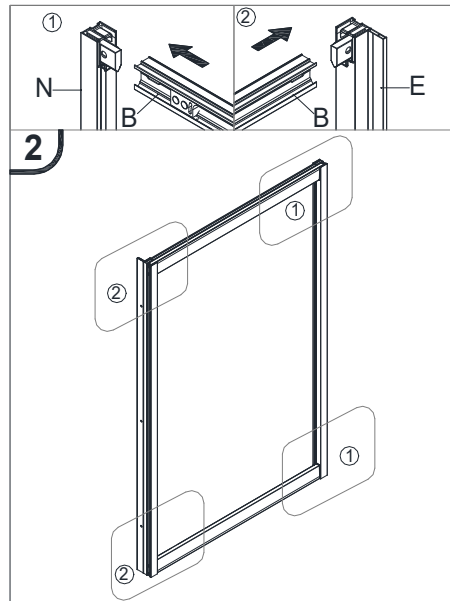
## Installation Steps

- ① Insert end cap "S" into the frames "N and E", tighten screws "T" from the back of frames.
- ② Keep the outer edge of the frame 10mm away from the shower base edge.
- ③ Align fixed door frame "N" vertically to wall, mark holes.
- ④ Align sliding door frame "E" vertically to wall, mark holes.
- ⑤ Drill holes (use 1/4" drill bit) at marked positions.
- ⑥ Insert wall anchors "J" into holes with a hammer.



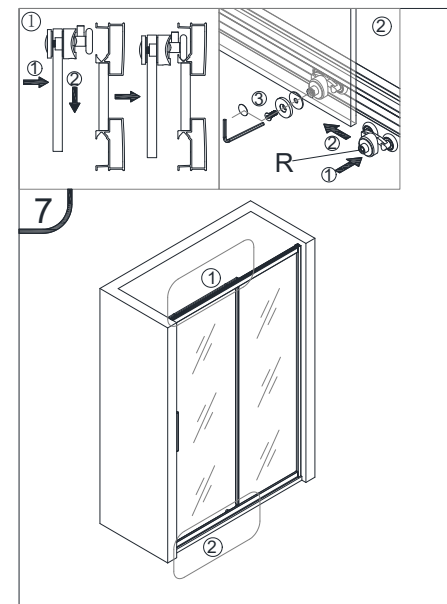
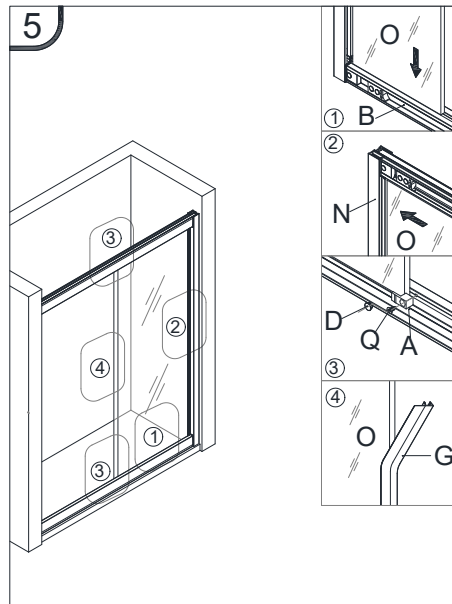
Position the assembled frame at the installation location.

- ① Insert the header and threshold "B" into the fixed door frame "N".
- ② Insert the header and threshold "B" into the sliding door frame "E".



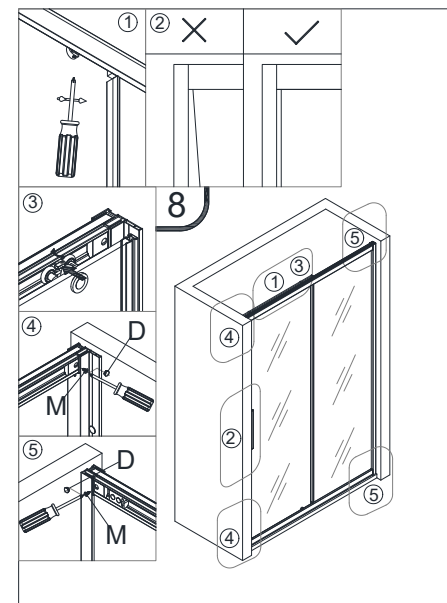
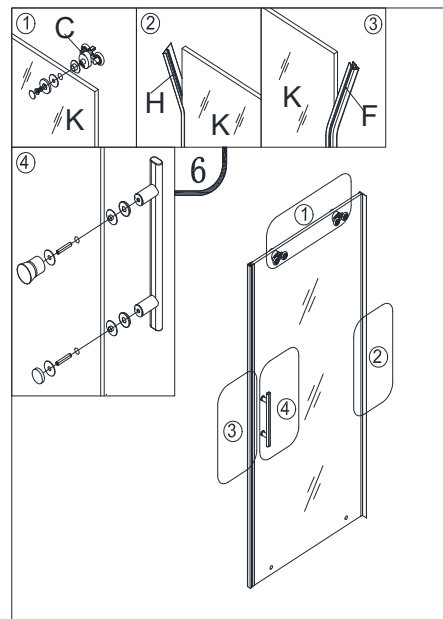
- ① Fasten the sliding door frame "E" to the wall by inserting and tightening the screw "P" through the frame into the wall anchor.
- ② Fasten the fixed door frame "N" to the wall by inserting and tightening the screw "P" through the frame into the wall anchor.

- ① Insert the fixed door panel "O" into the fixed slot of the threshold track "B".
- ② Slide the fixed door panel "O" into the slot of the fixed door frame "N".
- ③ After positioning the fixed door panel, Place glass clamp "A" onto the threshold, tighten screw "Q", and install the decorative cap.
- ④ Install the fixed panel seal "G" onto the glass "O".



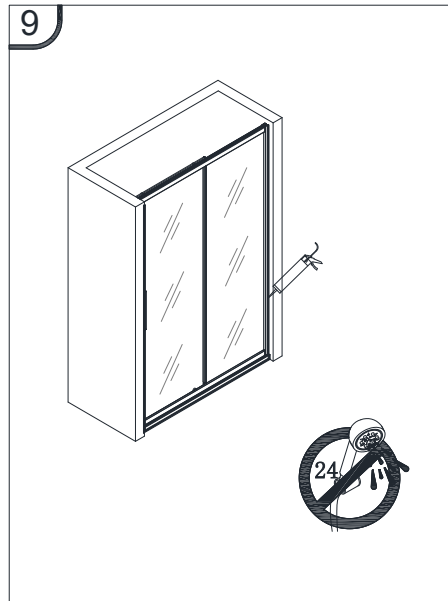
- ① Tilt the top roller "C" into the header track groove.
- ② Insert the bottom roller "R" into the threshold track and tighten the screw with a hex wrench.

- ① Attach the top rollers "C" to the top edge of the sliding door panel "K".
- ② Fit the side seal "H" onto the vertical edge of the door panel "K".
- ③ Attach the magnetic seal "F" on the handle side of the door panel "K".
- ④ Secure the handle "I" to the pre-drilled holes on the door panel.



- ① Use a screwdriver to adjust the top rollers "C" to level the sliding door vertically.
- ② Ensure the sliding door panel is properly aligned and level.
- ③ Rotate the anti-jump component on the top roller "C" 90° inward to secure.
- ④ Tighten with ST4x12 screws "M" and attach the decorative cap "D".
- ⑤ Tighten with ST4x12 screws "M" and attach the decorative cap "D".

Seal both sides and the bottom of the shower doors with silicone. Do not use the shower for 24 hours to allow proper curing.



## Cleaning & Maintenance

- For routine cleaning, use a mild liquid detergent and a soft cloth.
- If stains appear, gently wipe them with a clean, soft towel and a small amount of neutral soap or toothpaste.
- To keep the glass surface shiny, you may use a glass polish when necessary.
- Do not use acidic or alkaline cleaners, or abrasive tools, as they may damage the surface finish of the shower base, glass, or aluminum components.
- Avoid harsh cleaners containing acetone or ammonia. For disinfection, do not use products containing formic acid or formaldehyde, as these may dull or damage the surface.
- Avoid physical impact with the glass, whether by the body or hard objects, during use to prevent injury or damage.
- Periodically check the shower enclosure for any signs of wear or malfunction. If you notice any issues, please contact our customer service team promptly.

## Limited Warranty

Thank you for choosing ANNWA products. In order to protect your rights and interests, please fully understand the following warranty terms.

1. ANNWA shower doors are warranted to the original purchaser to be free from defects in material and workmanship for 18 months from the date of purchase. ANNWA's shower doors are not designed for commercial use; therefore, the warranty of commercial products are invalid.

2. Under the following conditions, customers will not be entitled to the free warranty.

- Beyond the warranty period.
- Failure caused by improper installation, usage and maintenance according to the product manual or
- use in a service environment that does not comply with the provisions of the product manual.
- Product failure or components damage caused by the use of detergent with coarse particles such as decontamination powder or polishing powder, nylon brush, abrasive cloth or sandpaper.
- Product failure or components damage caused by force majeure such as natural disasters (including earthquake, fire hazard, etc.) and other accidents (collision, smashing, stepping, etc.)

### **Foshan Gaoming ANNWA Ceramic Sanitary Ware Co., Ltd**

Address: Sanming Road, Hecheng Subdistrict, Cangjiang Industrial Park, Sanzhou Township, Gaoming District, Foshan, Guangdong Province, China  
Email: [annwahelp@annwa.com.cn](mailto:annwahelp@annwa.com.cn)

