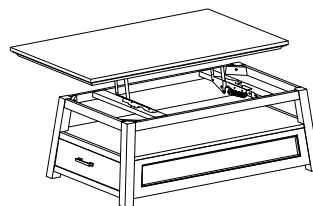




# ASSEMBLY INSTRUCTIONS



#203-910

## TOOLS REQUIRED:

Wrench (Provided, Part D)

Phillips Screwdriver (Not provided)

## BEFORE YOU START:

1. Check the hardwares against the hardware list to make sure all items are present.
2. Assemble your furniture on a soft, flat surface to avoid scratching the finish.
3. **CAUTION:** Do not over tighten screws, nuts or bolts during assembly.
4. Your furniture may require occasional tightening.

## INSTRUCTIONS:

1. Turn the table top on to a clean soft surface.
2. Attach three legs to top panel using Bolt (A), Lock Washer (B) and Flat Washer (C) and tighten with the Allen Wrench (D). As Shown in Figure 1. (Do not tighten Bolt).
3. Attach drawer box shelf to legs using Bolt (A), Lock Washer (B) and Flat Washer (C) and tighten with the Allen Wrench (D). As Shown in Figure 2.
4. Tighten all bolts before setting table back upright.
5. Pull out drawers, align and attach the handles in, then fix with screws. As shown in Figure 3.

Figure 1

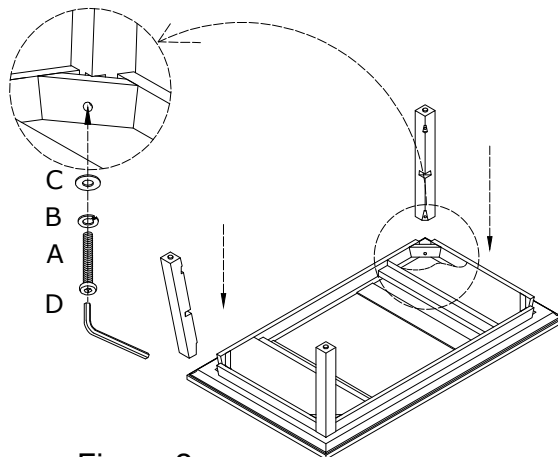


Figure 2

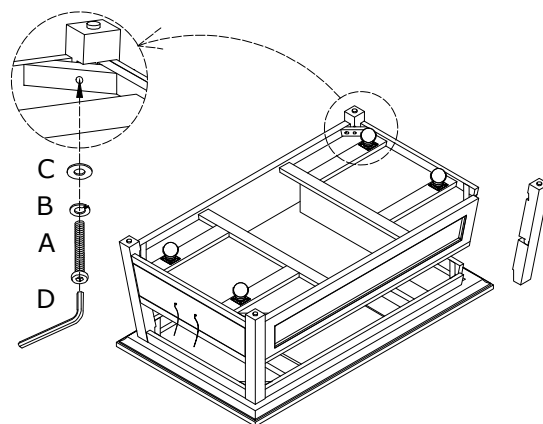
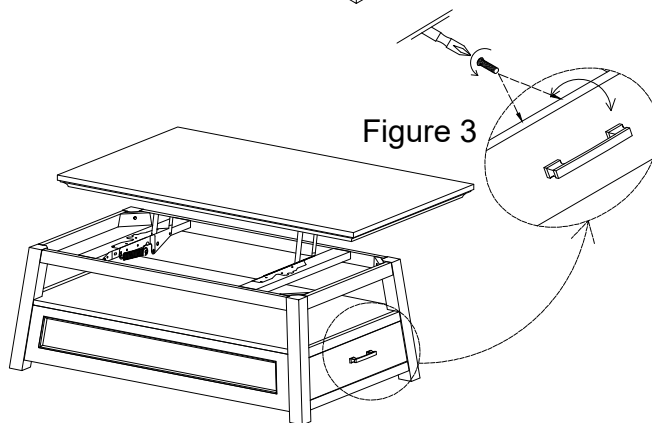
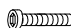





Figure 3



## HARDWARE LIST

HARDWARE LIST			
A		Bolt (Ø1/4"x 1-1/2)	8pcs
B		Lock Washer (Ø1/4")	8pcs
C		Flat Washer (Ø1/4"*Ø19)	8pcs
D		Allen Wrench (4MM)	1pc

