

ASEMBLY INSTRUCTIONS

DESCRIPTION: KING BED

Thank you for purchasing this quality product. Be sure to check all packing material carefully for small parts that may have come loose inside the carton during shipment.

TOOLS REQUIRED (Not provided)



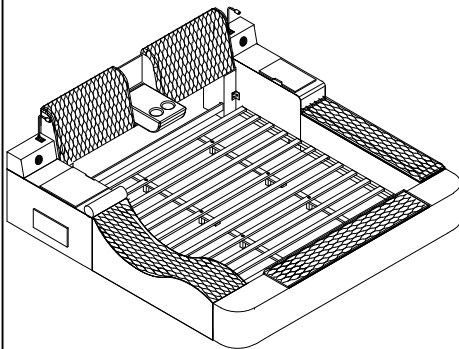
Phillips Screwdriver

PARTS LIST

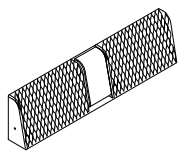
NO.	DESCRIPTION	SKETCH	Q'TY
1.	HEADBOARD PANEL		1PC
2.	RIGHT HEADBOARD LEG		1PC
3.	LEFT HEADBOARD LEG		1PC
4.	BOTTOM RAIL FOR HEADBOARD		1PC
5.	BLUETOOTH SPEAKER RIGHT		1PC
6.	RIGHT NIGHSTAND CASE		1PC
7.	BLUETOOTH SPEAKER LEFT		1PC
8.	LEFT NIGHSTAND CASE		1PC
9.	MASSAGE CASES		1PC
10.	STORAGE SIDERAIL TOP		1PC
11.	STORAGE SIDERAIL END PANEL 1		1PC
12.	STORAGE SIDERAIL END PANEL 2		1PC
13.	STORAGE SIDERAIL BOTTOM PANEL		1PC
14.	STORAGE SIDERAIL DIVIDER		1PC
15.	STORAGE SIDERAIL SIDE PANEL 1		1PC
16.	STORAGE SIDERAIL SIDE PANEL 2		1PC
17.	FOOTBOARD		1PC
18.	SLAT ROLLS		2PCS
19.	SLATS SUPPORT LEGS		8PCS
20.	CENTER SLATS		4PCS

HARDWARE LIST

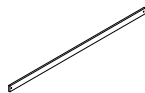
NO.	DESCRIPTION	SKETCH	SIZE	Q'TY
A.	BOLT		5/16" * 25MM	18PCS
B.	SPRING WASHER		5/16"	38PCS
C.	FLAT WASHER		5/16" * 19MM	38PCS
D.	ALLEN KEY		4MM	1PC
E.	BOLT		5/16" * 45MM	14PCS
F.	BOLT		5/16" * 20MM	6PCS
G.	CONNECTION STRAP		65MM	6PCS
H.	SCREW		D8 * 35MM	28PCS
I.	READING LIGHT			2PCS



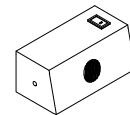
PART LISTS



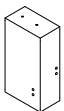
① *1PC



④ *1PC



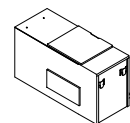
⑦ *1PC



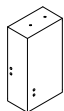
② *1PC



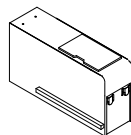
⑤ *1PC



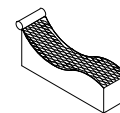
⑧ *1PC



③ *1PC



⑥ *1PC



⑨ *1PC

MADE IN VIETNAM

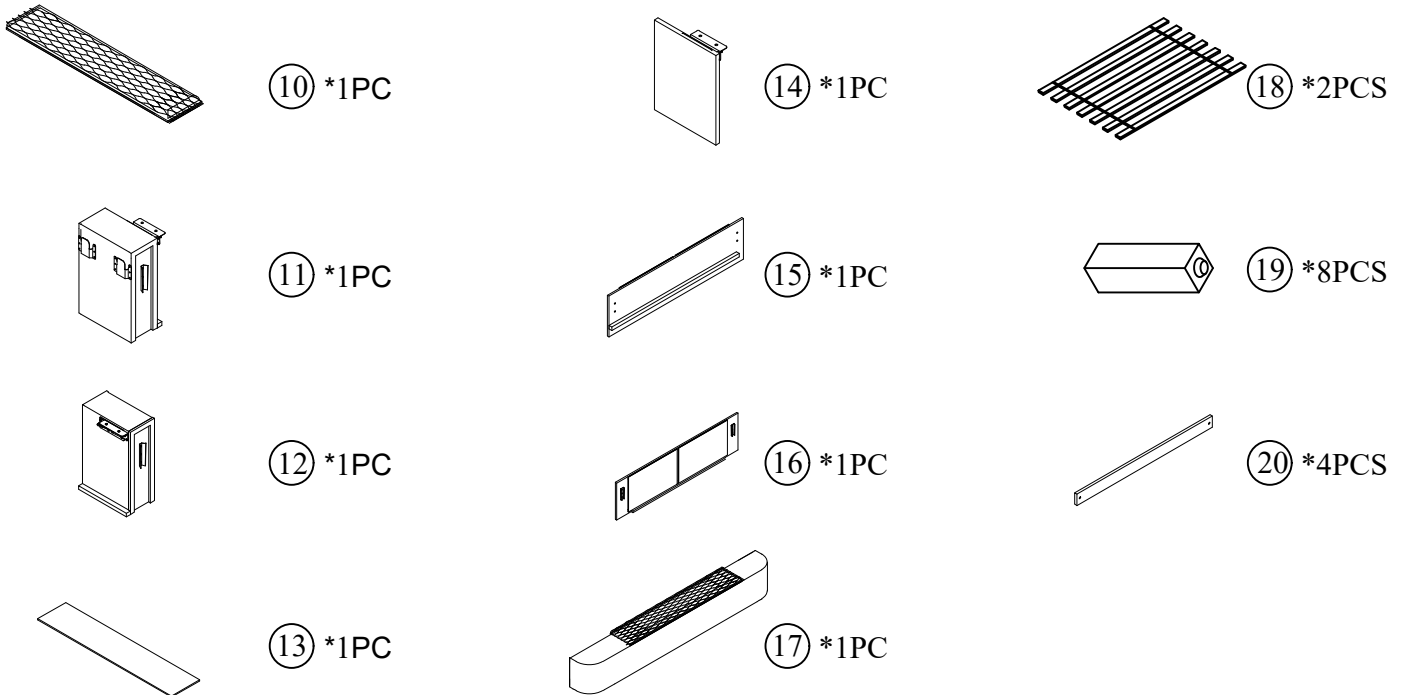
PAGE: 1 OF 10

ASEMBLY INSTRUCTIONS

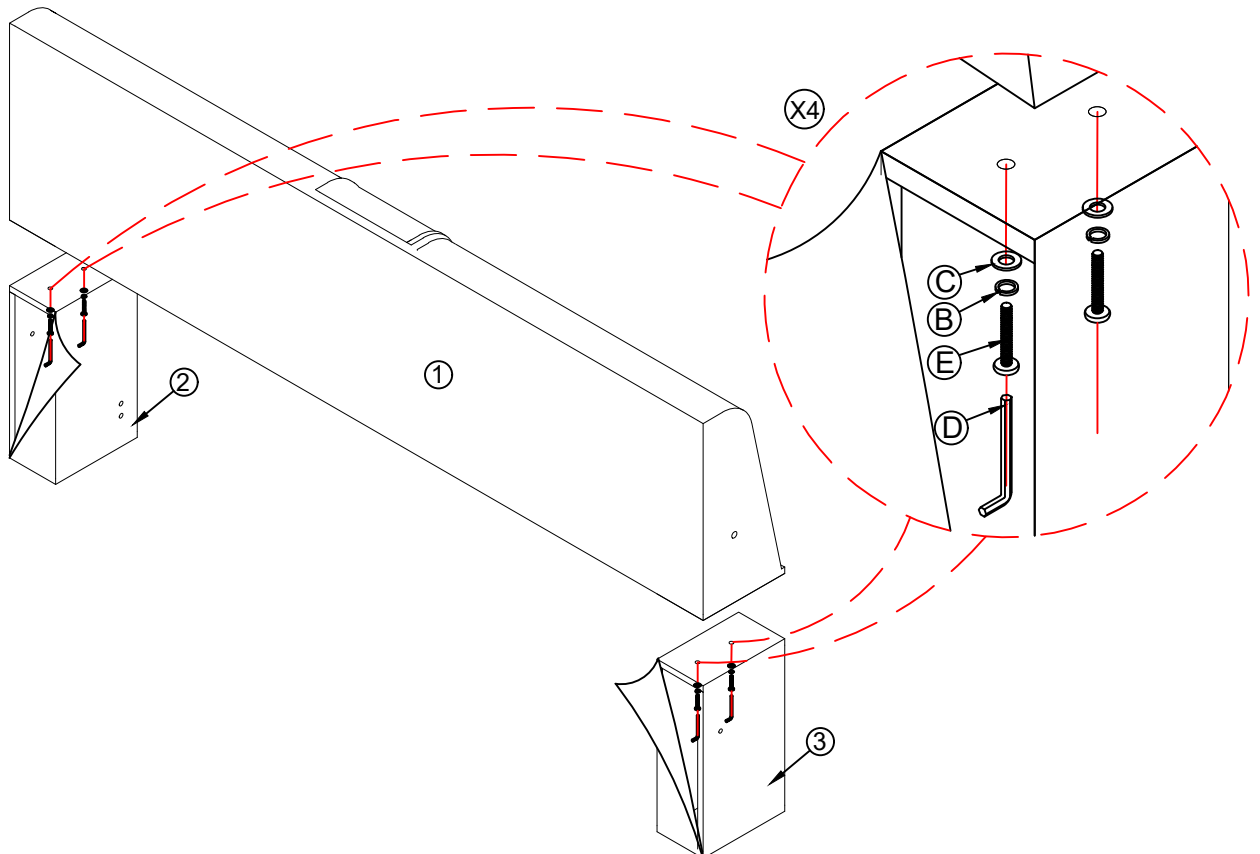
DESCRIPTION: KING BED

Thank you for purchasing this quality product. Be sure to check all packing material carefully for small parts that may have come loose inside the carton during shipment.

PART LISTS



STEP1

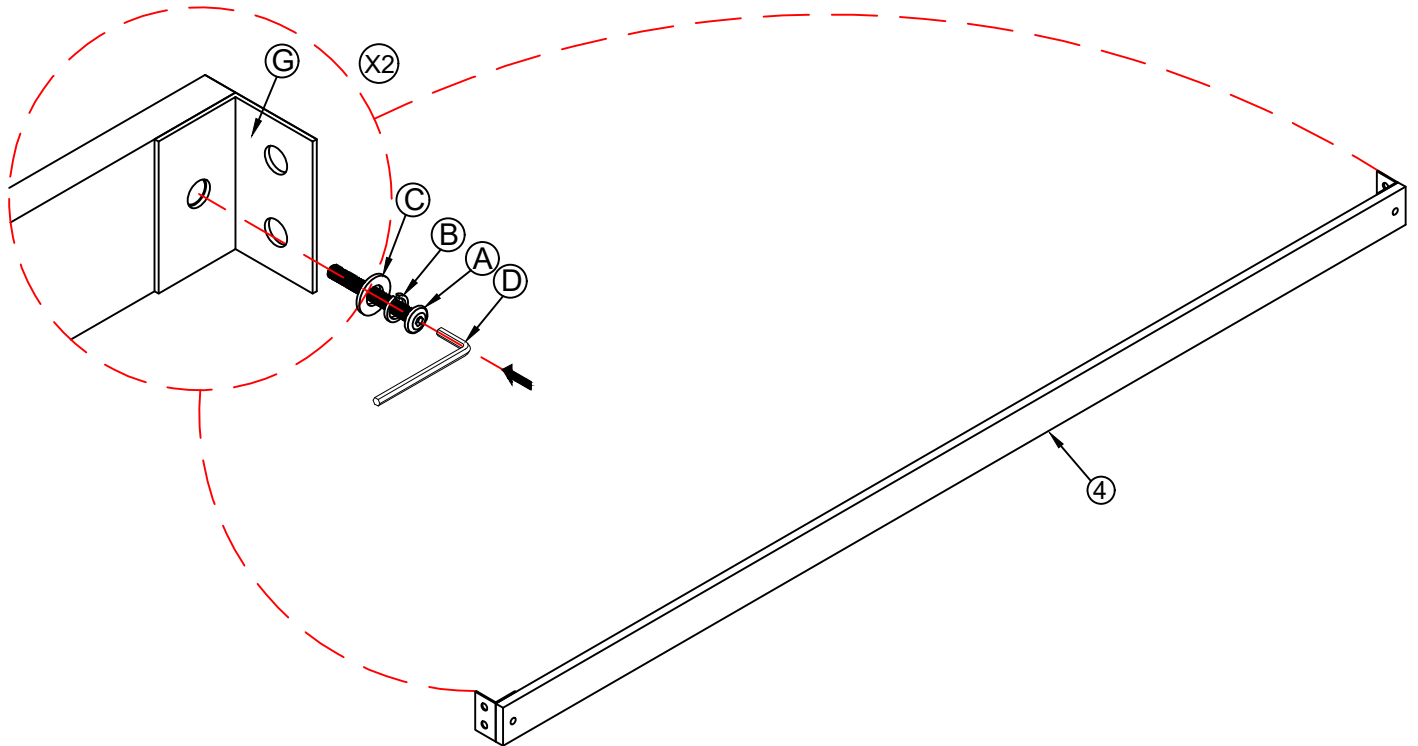


ASEMBLY INSTRUCTIONS

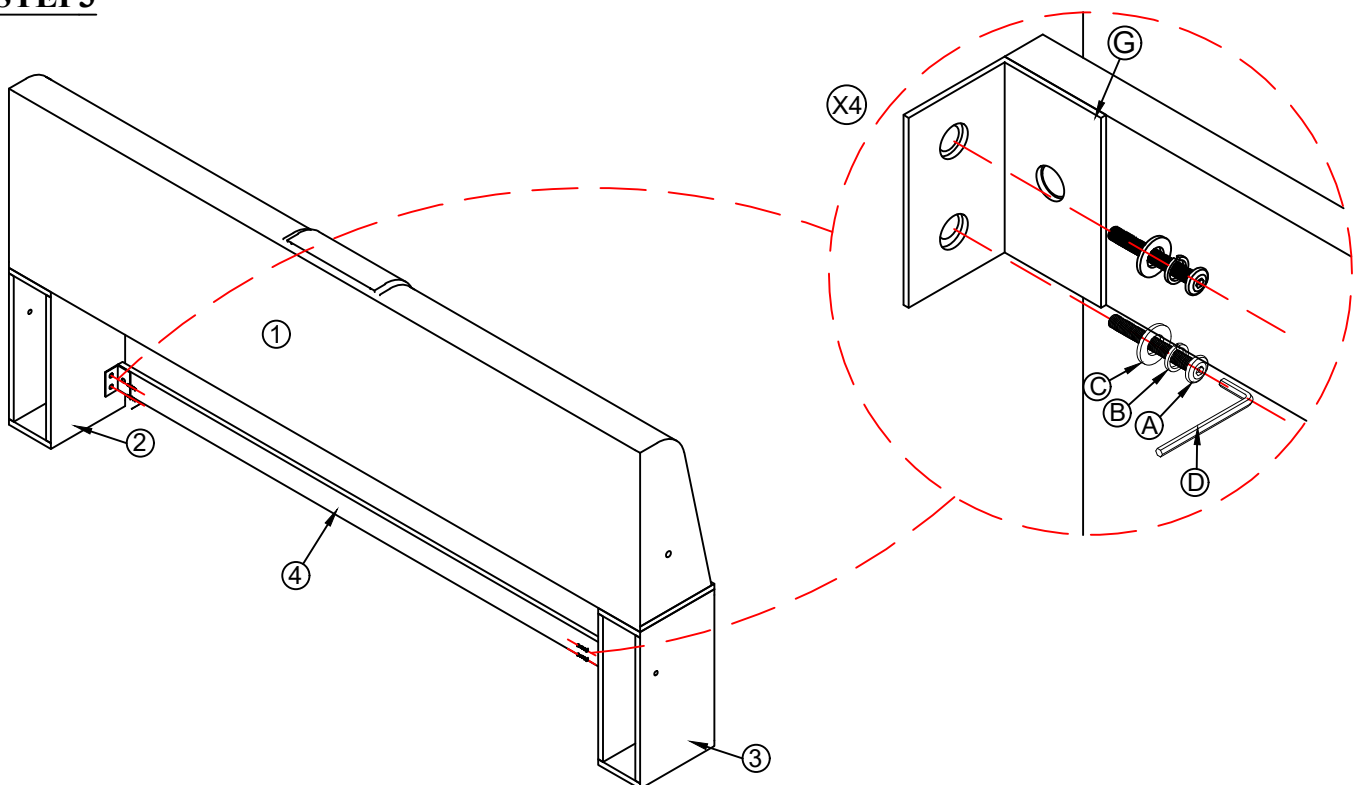
DESCRIPTION: KING BED

Thank you for purchasing this quality product. Be sure to check all packing material carefully for small parts that may have come loose inside the carton during shipment.

STEP2



STEP3

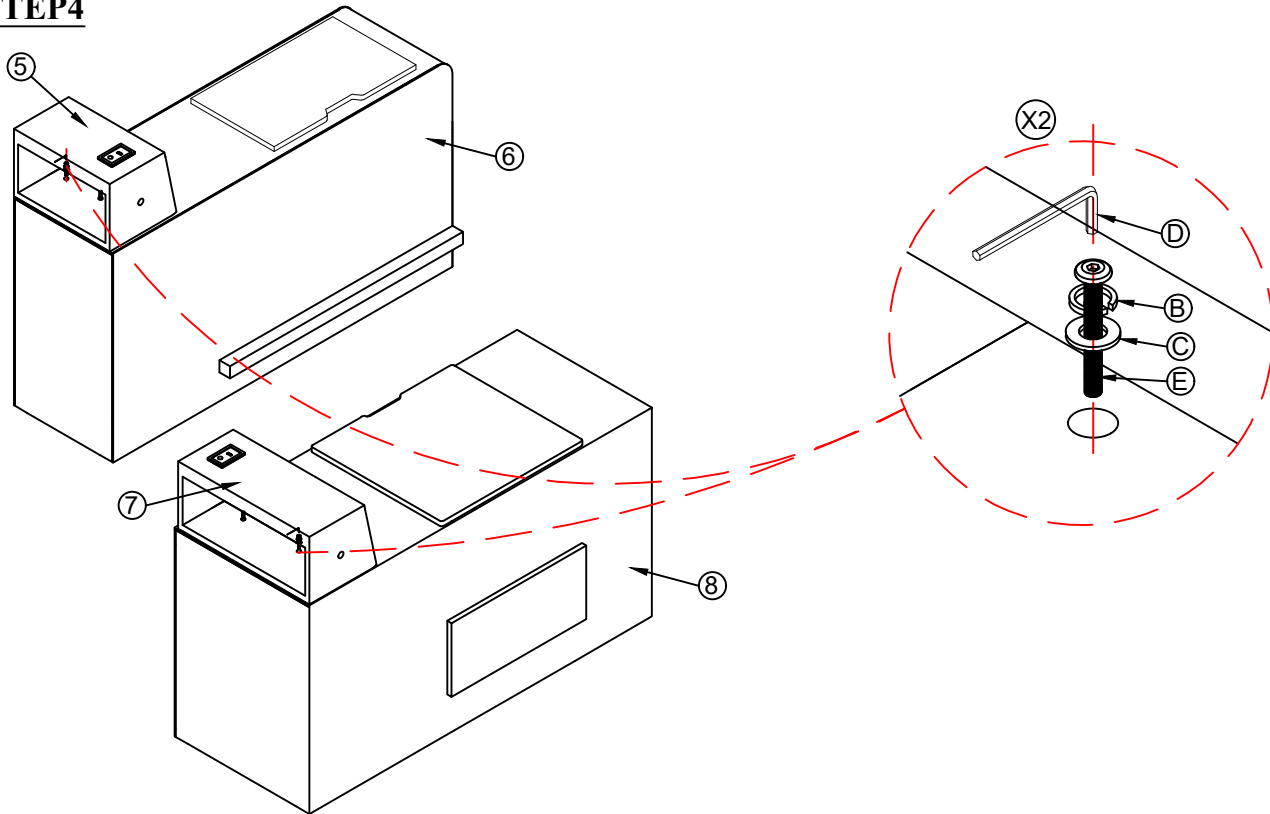


ASEMBLY INSTRUCTIONS

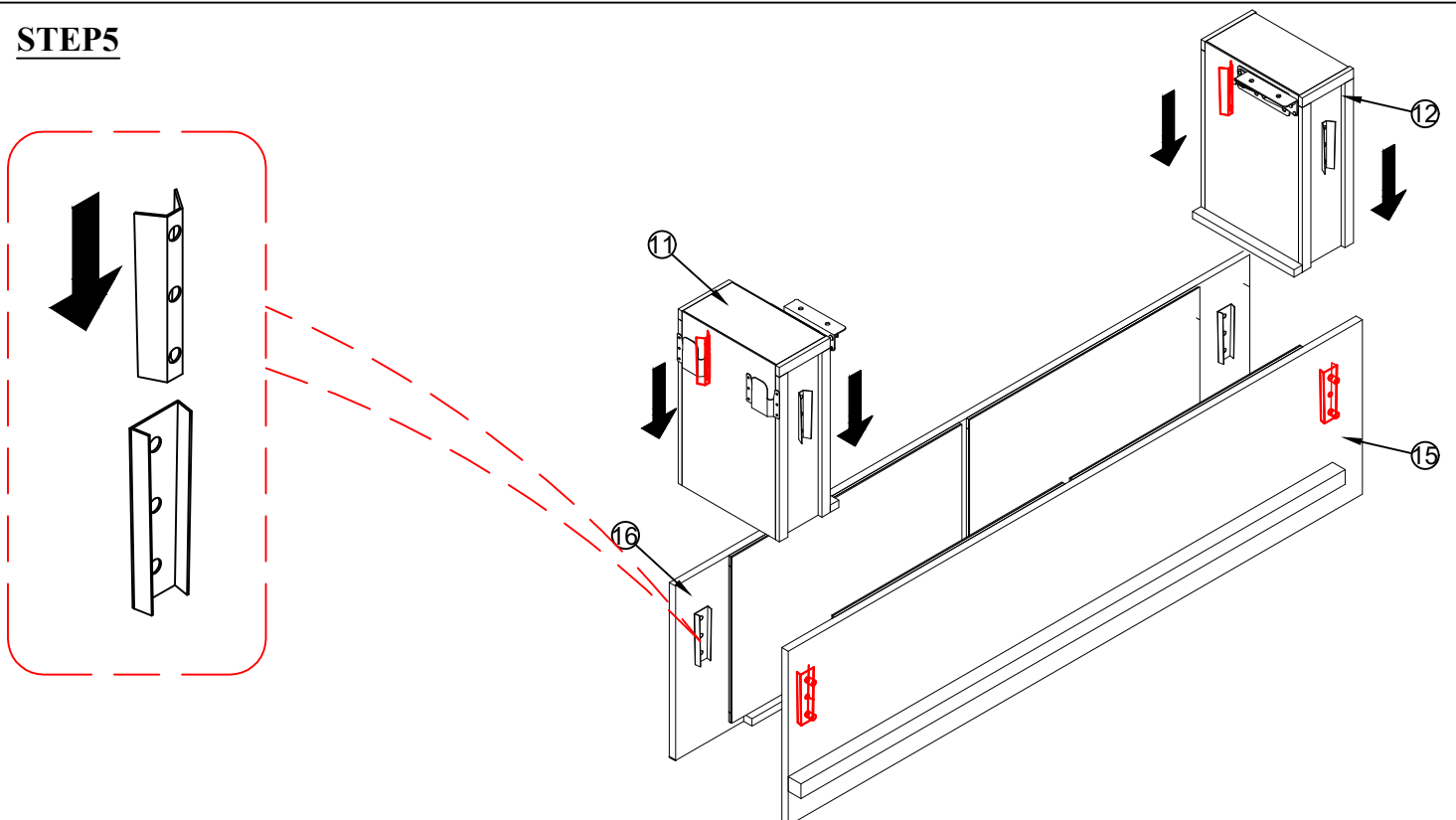
DESCRIPTION: KING BED

Thank you for purchasing this quality product. Be sure to check all packing material carefully for small parts that may have come loose inside the carton during shipment.

STEP4



STEP5

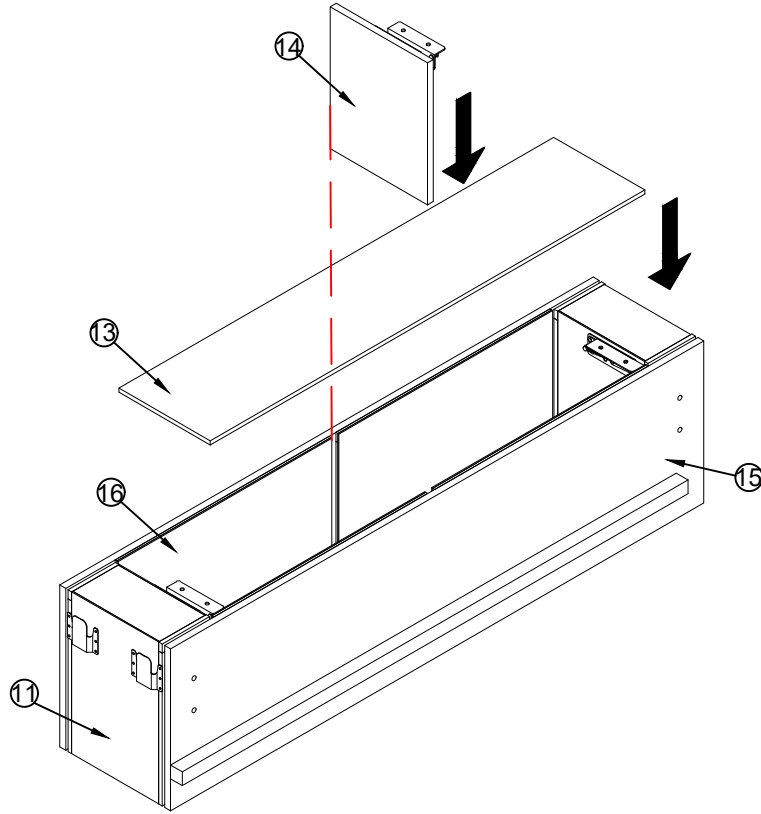


ASEMBLY INSTRUCTIONS

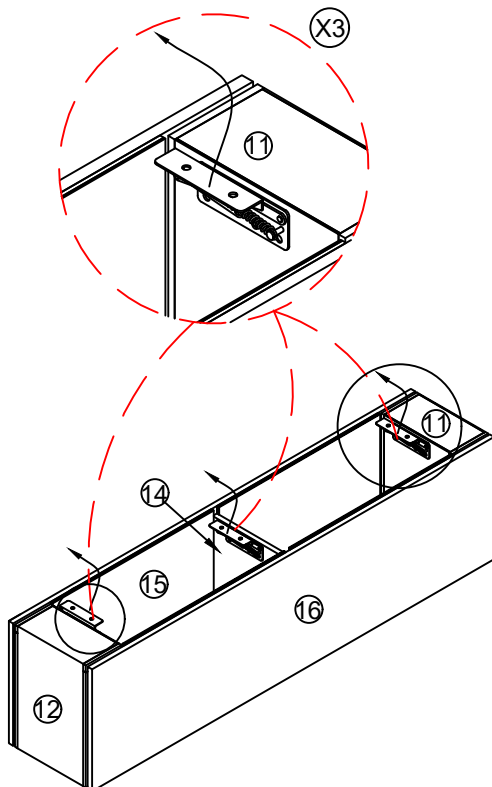
DESCRIPTION: KING BED

Thank you for purchasing this quality product. Be sure to check all packing material carefully for small parts that may have come loose inside the carton during shipment.

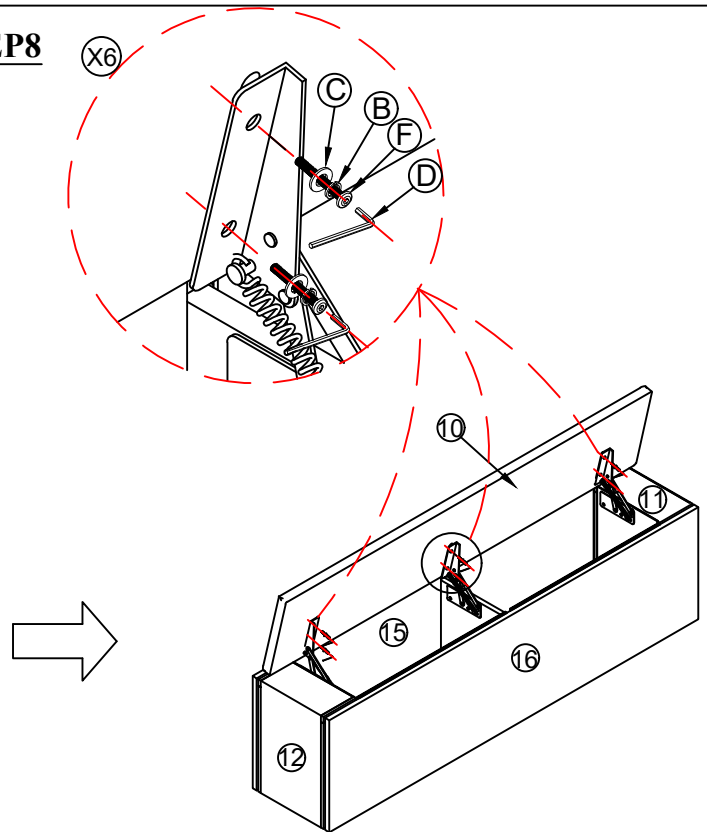
STEP6



STEP7



STEP8

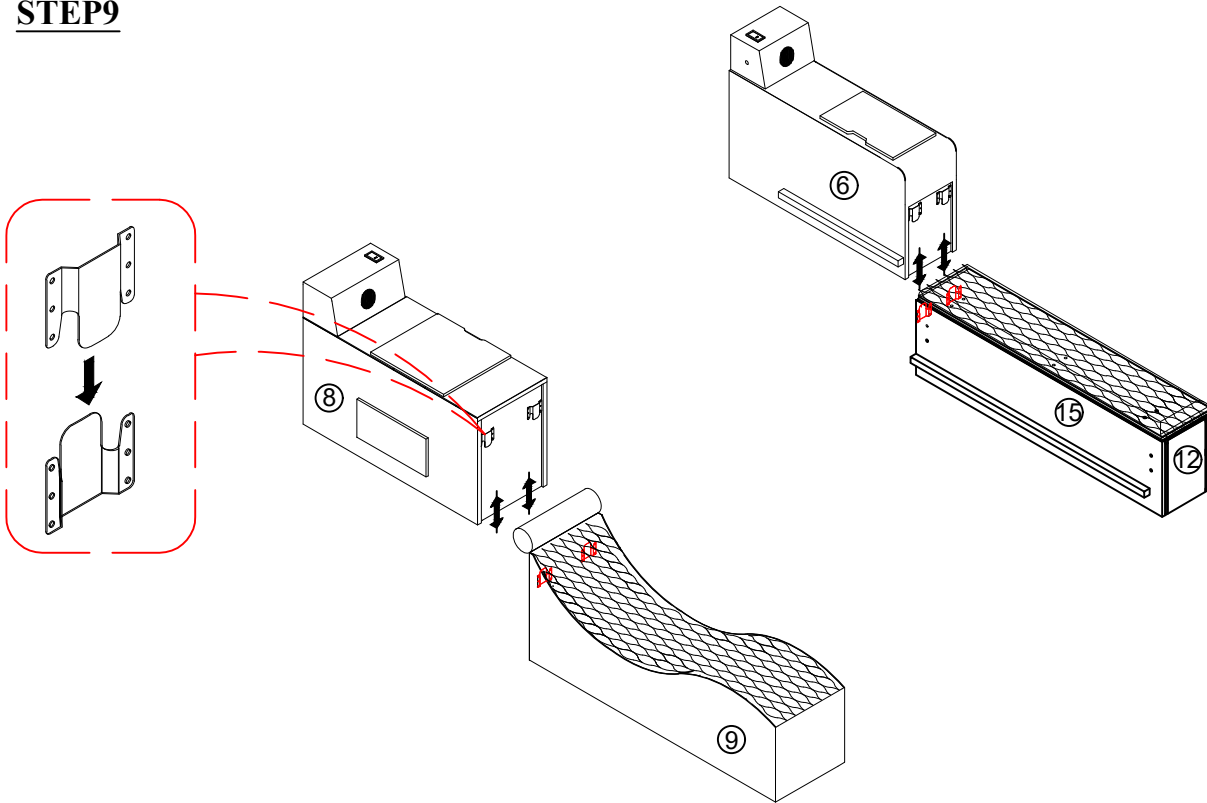


ASEMBLY INSTRUCTIONS

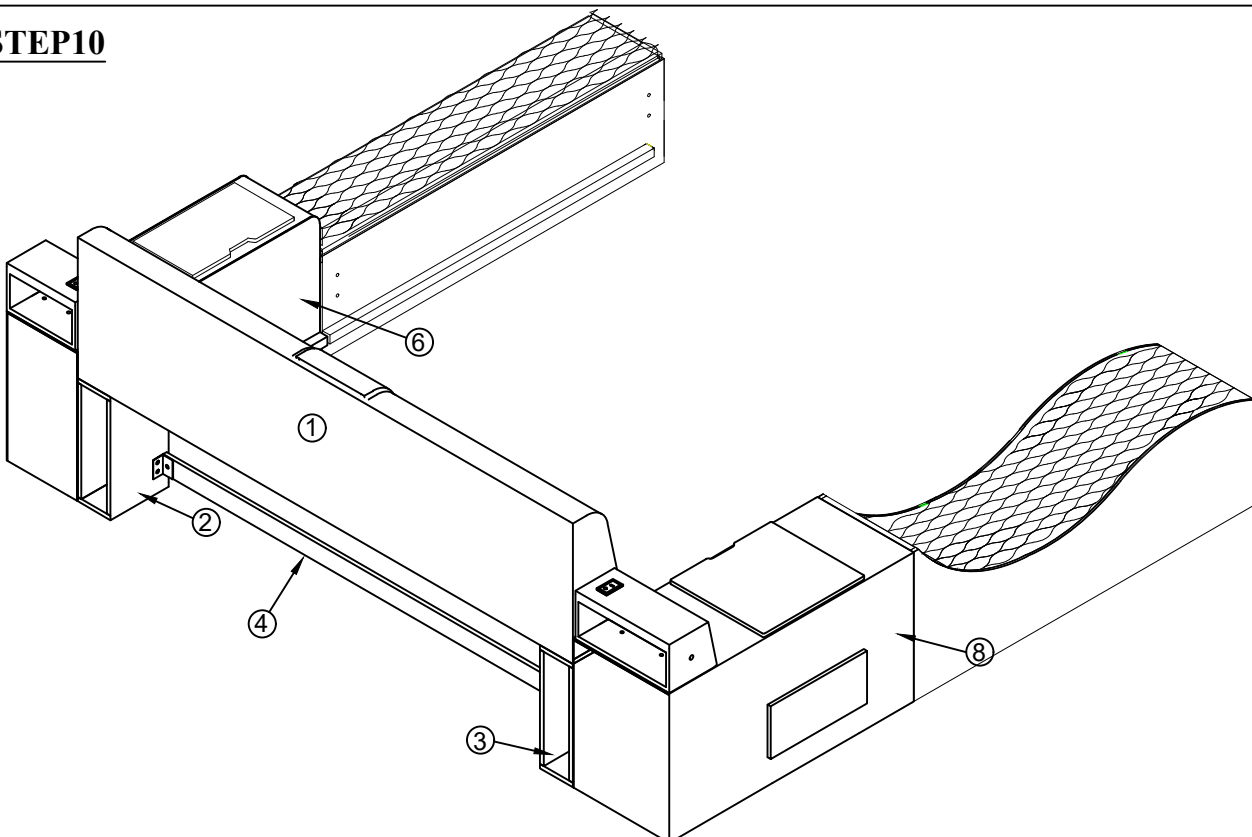
DESCRIPTION: KING BED

Thank you for purchasing this quality product. Be sure to check all packing material carefully for small parts that may have come loose inside the carton during shipment.

STEP9



STEP10

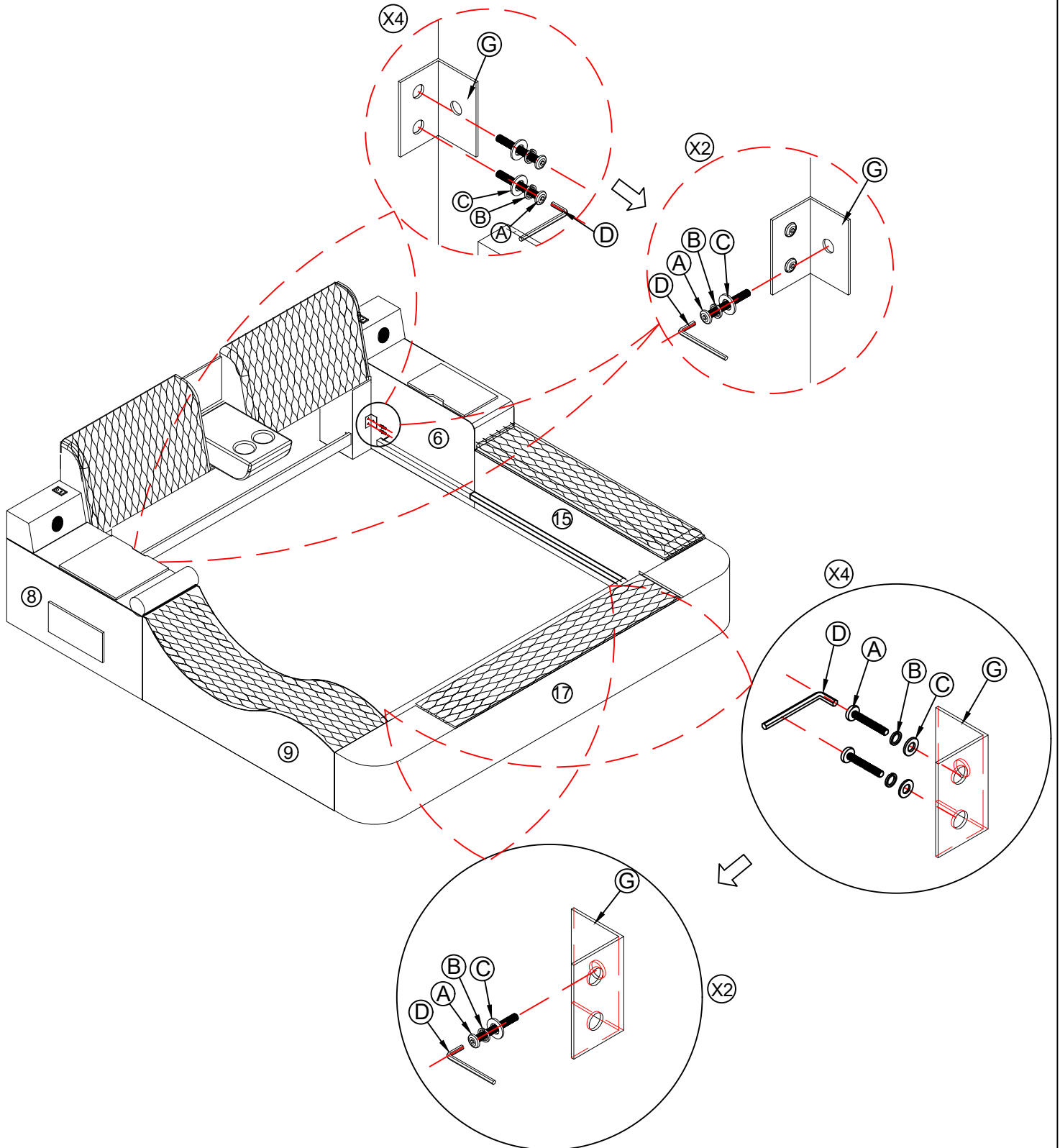


ASEMBLY INSTRUCTIONS

DESCRIPTION: KING BED

Thank you for purchasing this quality product. Be sure to check all packing material carefully for small parts that may have come loose inside the carton during shipment.

STEP11

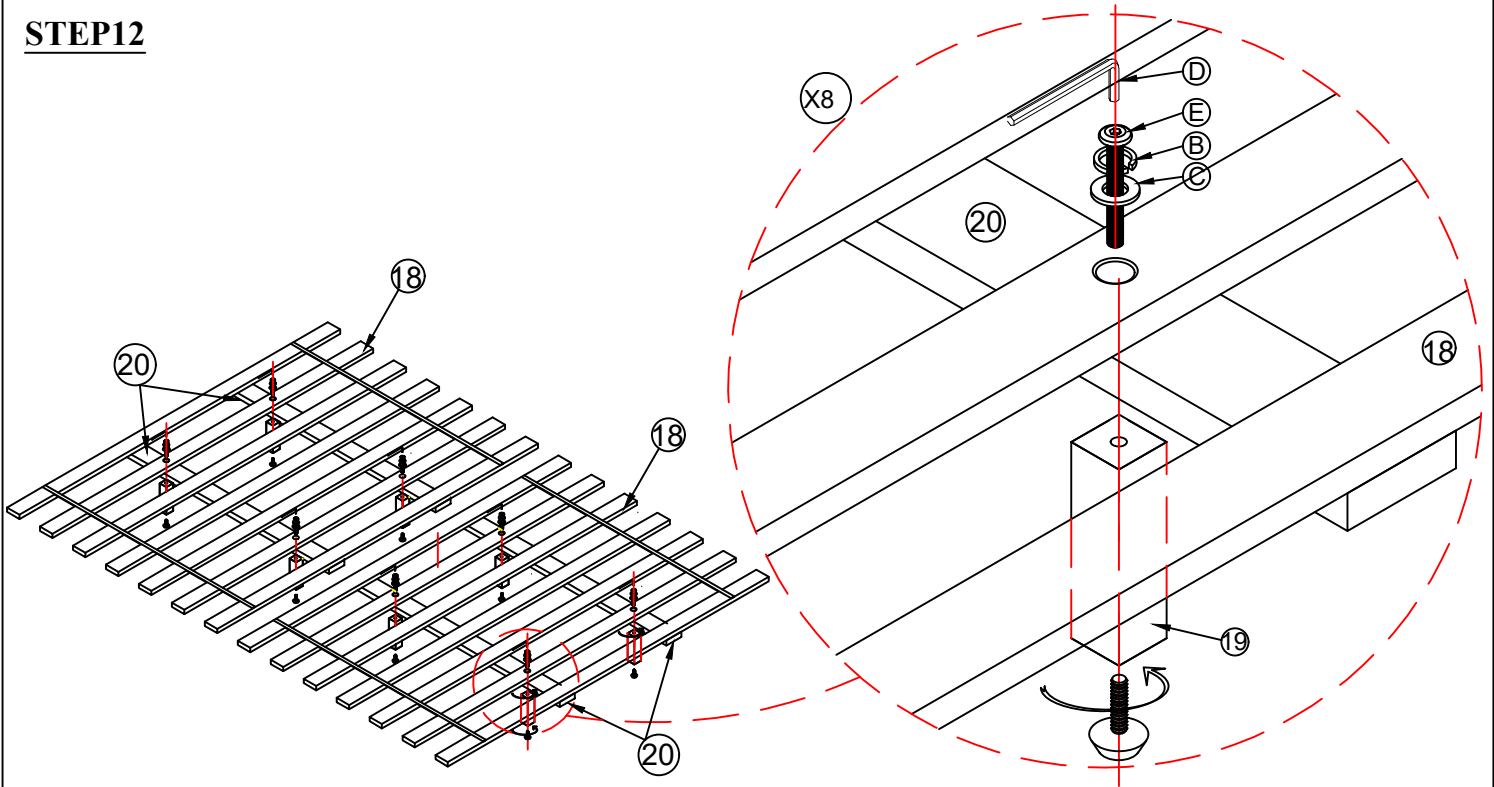


ASEMBLY INSTRUCTIONS

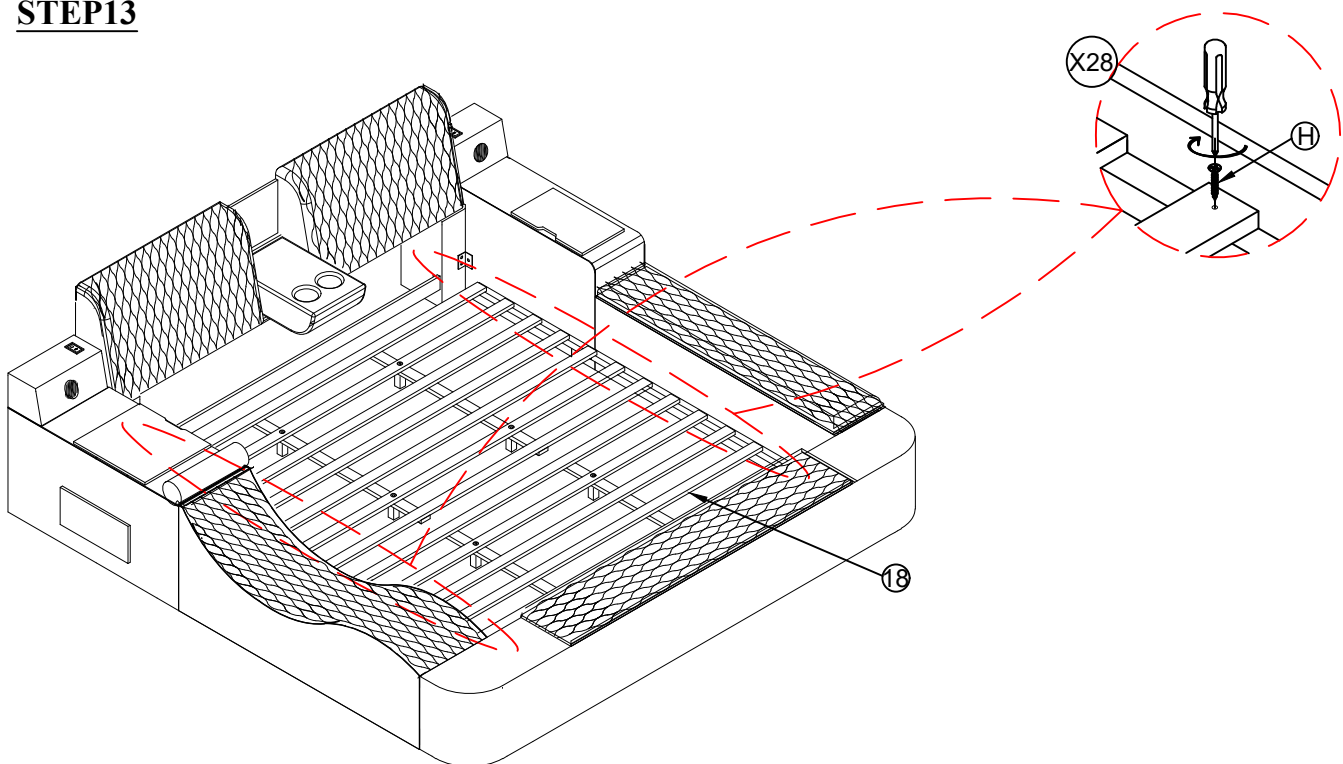
DESCRIPTION: KING BED

Thank you for purchasing this quality product. Be sure to check all packing material carefully for small parts that may have come loose inside the carton during shipment.

STEP12



STEP13

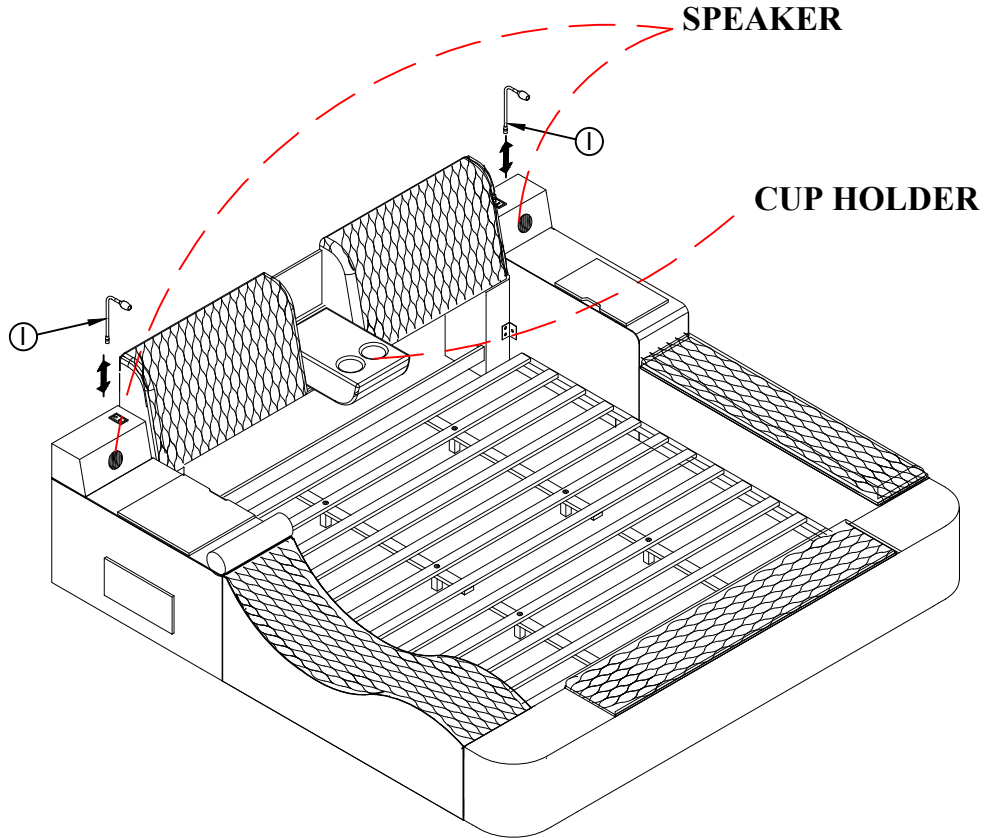


ASEMBLY INSTRUCTIONS

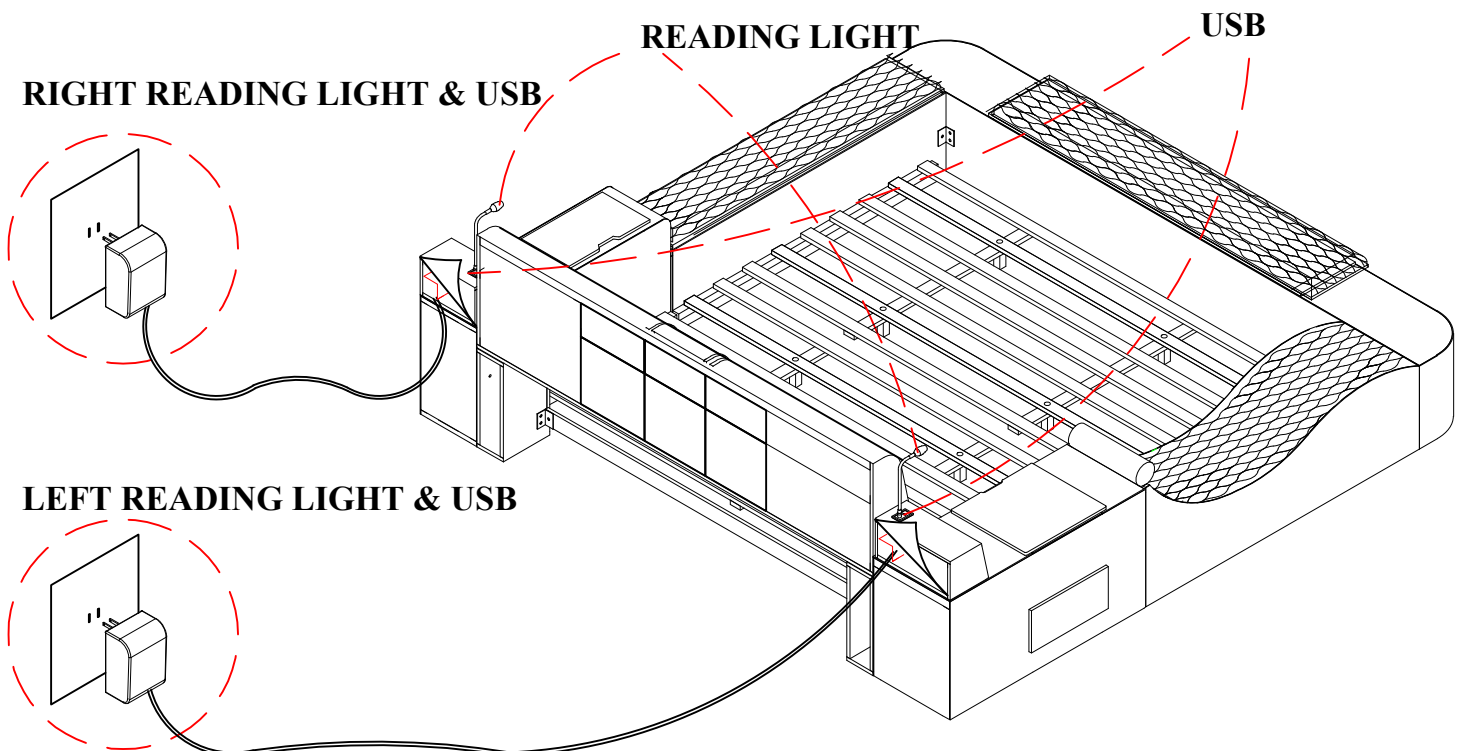
DESCRIPTION: KING BED

Thank you for purchasing this quality product. Be sure to check all packing material carefully for small parts that may have come loose inside the carton during shipment.

STEP14



STEP15



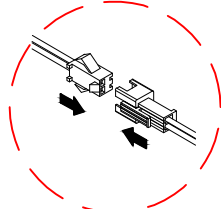
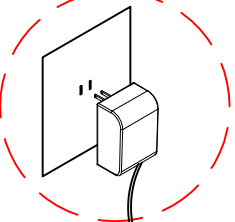
ASEMBLY INSTRUCTIONS

DESCRIPTION: KING BED

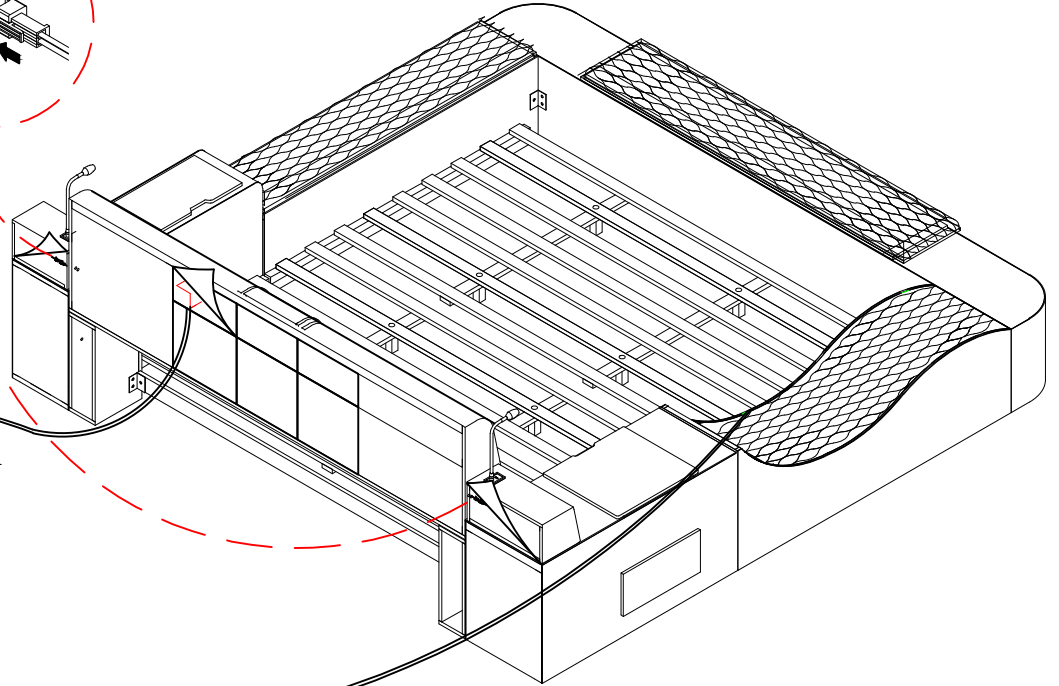
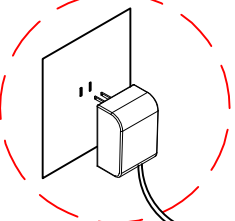
Thank you for purchasing this quality product. Be sure to check all packing material carefully for small parts that may have come loose inside the carton during shipment.

STEP16

SPEAKER



FOR MESSAGE POWER



ASSEMBLY COMPLETE

