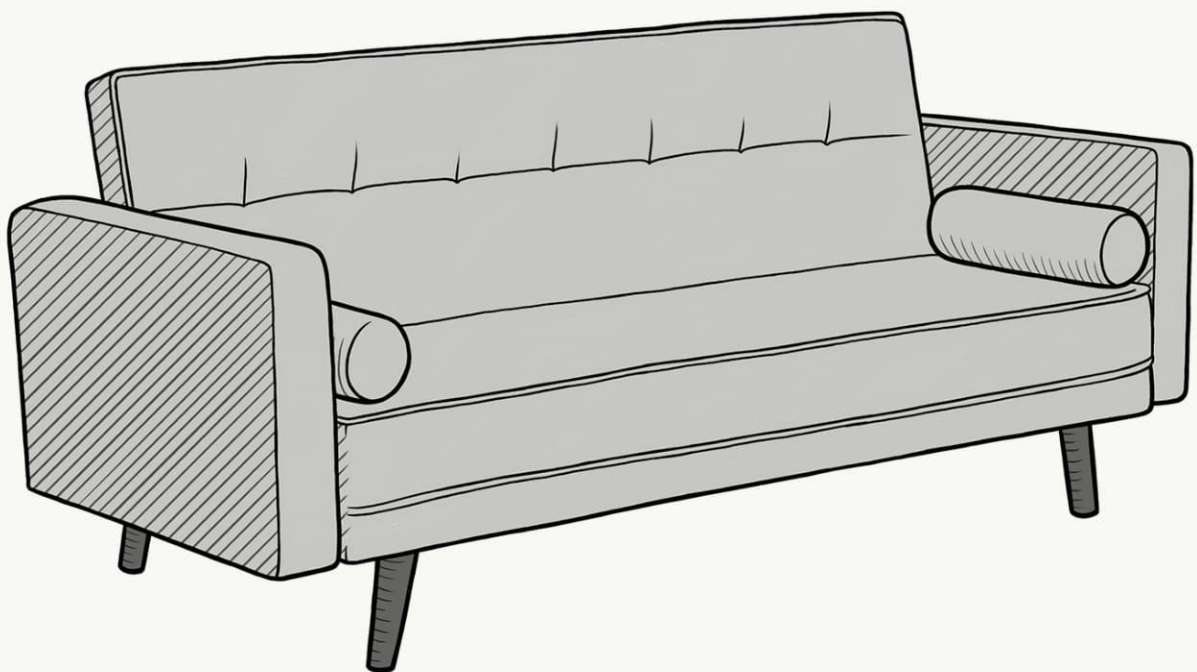


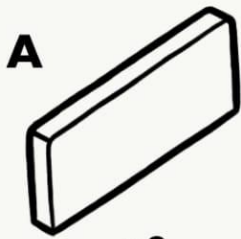
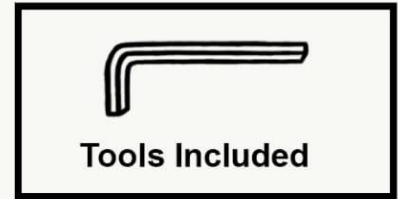
# INSTRUCTION MANUAL



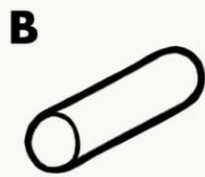
---

Please retain the packaging for a minimum of 30 days or until you are completely satisfied with your product. Charges may apply to replace the packaging if not retained for return purposes.

# Instructions 1



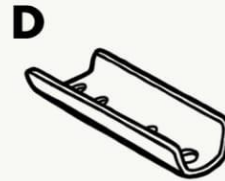
x2



x2



x4



x4

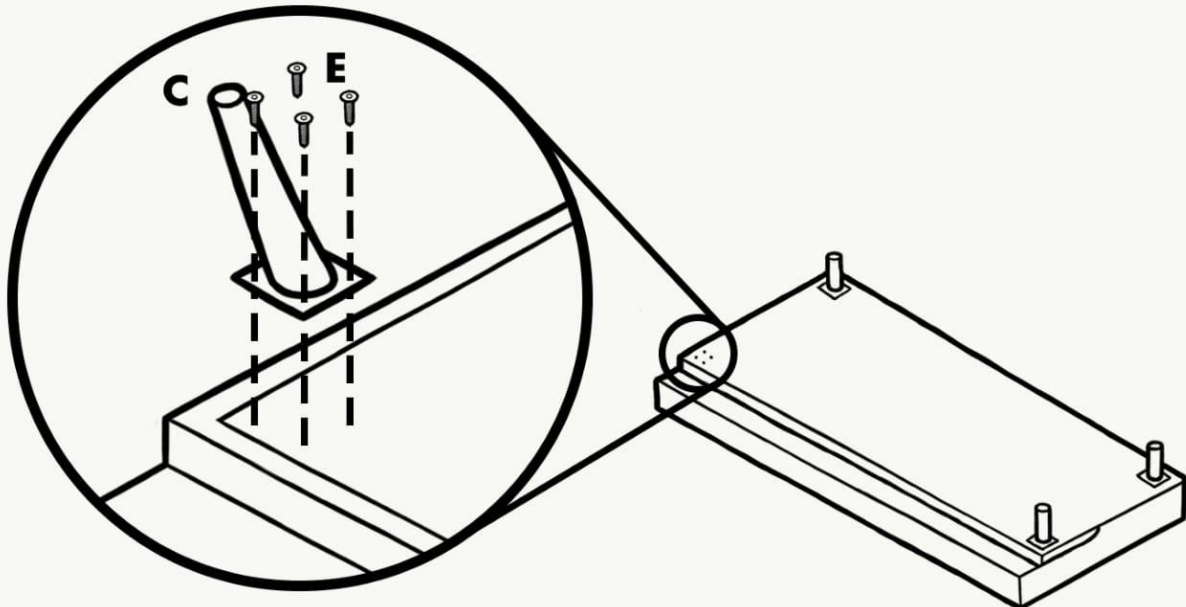


6x25mm

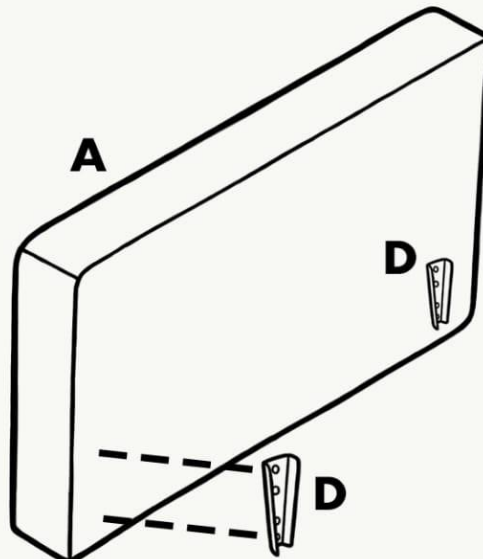


x24

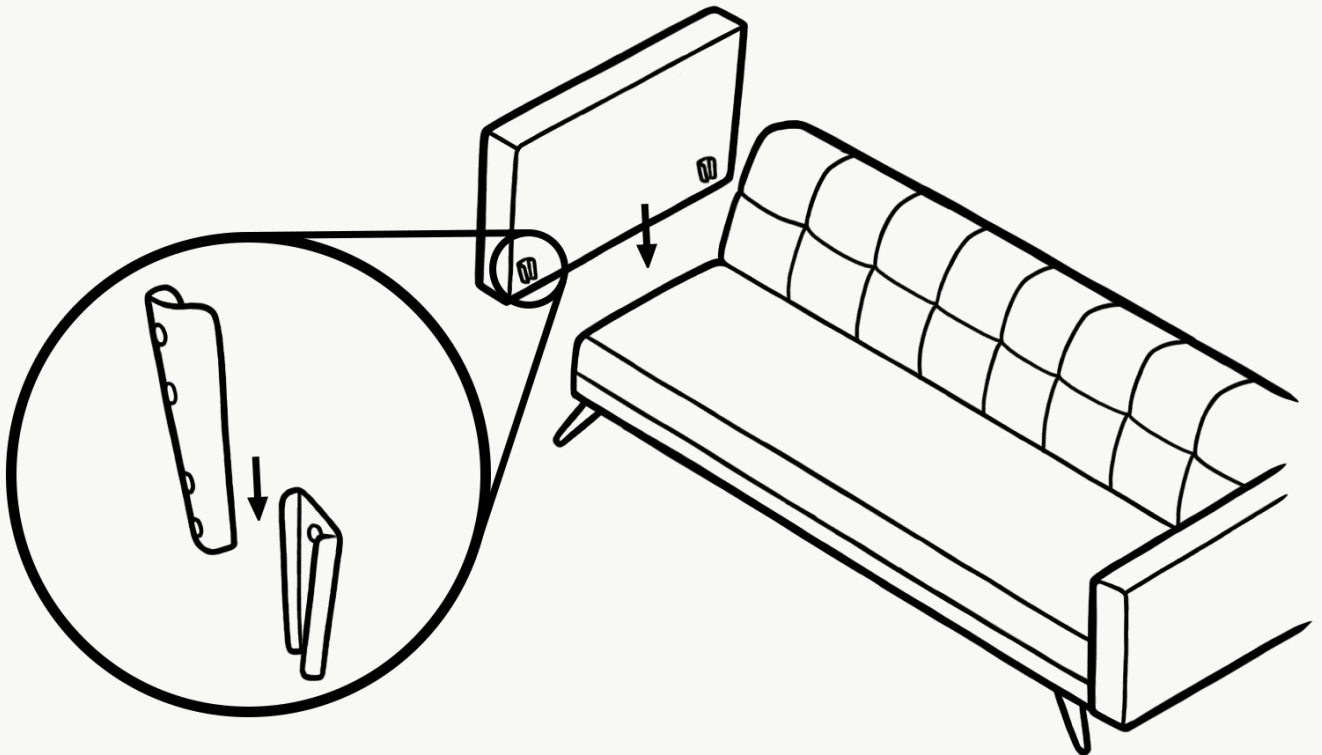
- 1** Screw the couch feet (C) into the holes on the underside of the couch



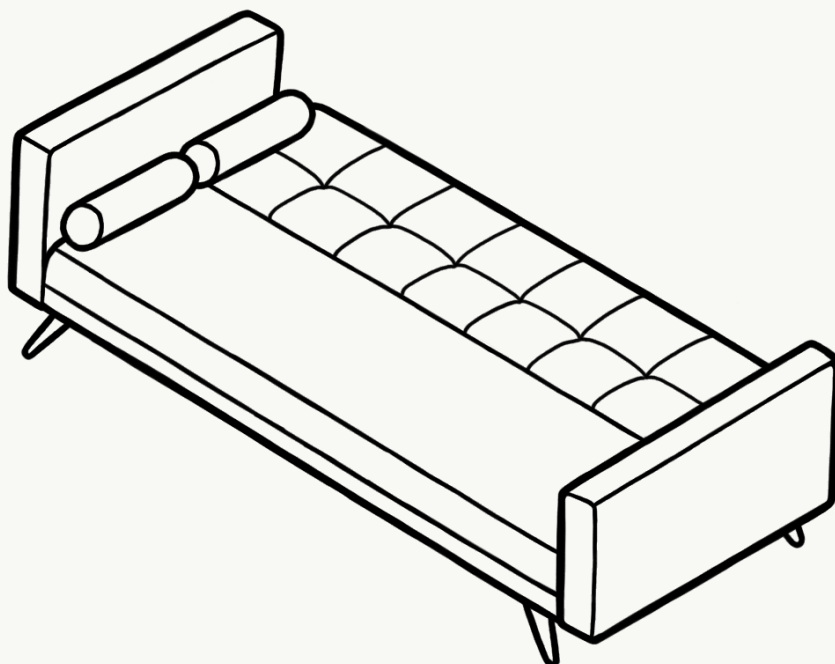
- 2** Screw armrest clasps (D) onto armrest (A), making sure that the narrowest part of the clasp is at the bottom



- 3** Slot the armrests' clasps (D) down into the clasps on the side of the couch



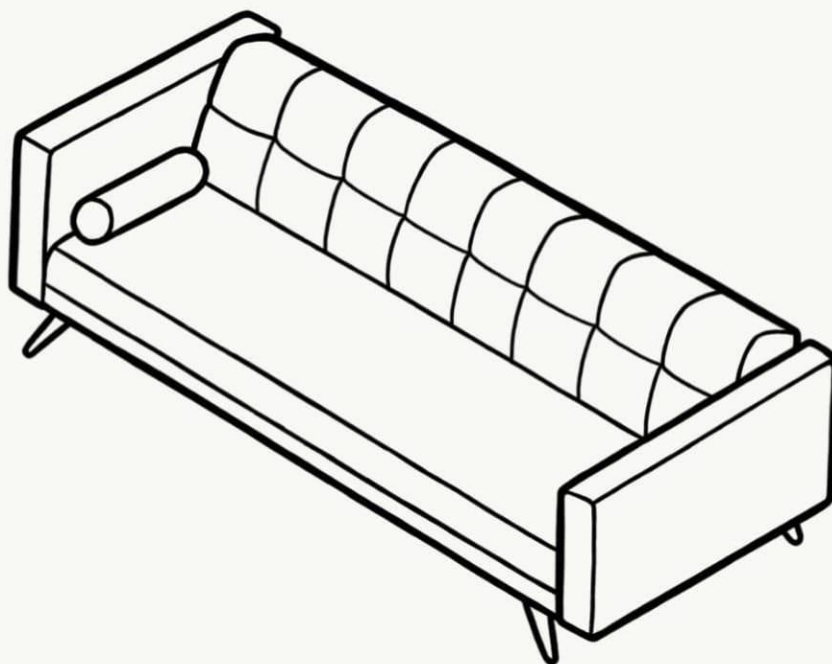
- 4** To turn the couch into a bed, lean backrest forward and then lower it until it is stable. Add cushions (B) as desired



## Instructions 2

5

To turn the bed into a couch, lift up the backrest until it clicks into place and then lower it until it is stable. Add cushions (B) as desired



### Dimensions ( $\pm 3\text{cm}$ )

Couch width: 169cm

Back height: 46cm

Couch depth: 52cm

Seat height: 46cm

Armrest height: 64cm

Under-couch height: 9cm

Thank you for choosing our product.

If you are having difficulty with your product and you need support, please contact us.