

# *ASSEMBLY INSTRUCTIONS*



*Fine Furniture for every stage of life*

***CURIO CABINET***

# ASSEMBLY INSTRUCTIONS

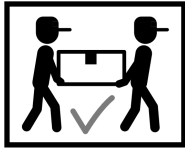
## ASSEMBLY TIPS:

1. Remove hardware from box and sort by size.
2. Please check to see that all hardware and parts are present prior to start of assembly.
3. Please follow attached instructions in the same sequence as numbered to assure fast & easy assembly.



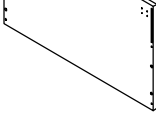


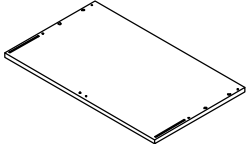

## WARNING!

1. Don't attempt to repair or modify parts that are broken or defective. Please contact the store immediately.
2. This product is for home use only and not intended for commercial establishments.



ASSEMBLY TIME 95 MINUTES

## PARTS IDENTIFICATION

A	TOP PANEL		1PC
B	TOP LEFT PANEL		1PC
C	TOP RIGHT PANEL		1PC
D	MIDDLE PANEL		1PC
E	BOTTOM LEFT PANEL		1PC

ITEM:

# ASSEMBLY INSTRUCTIONS

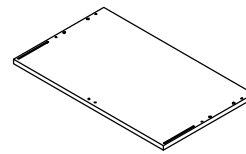
## PARTS IDENTIFICATION

F BOTTOM RIGHT PANEL



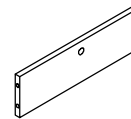
1PC

G BOTTOM PANEL



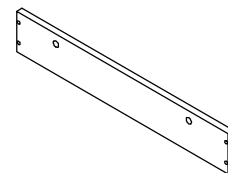
1PC

H LEFT AND RIGHT PANEL



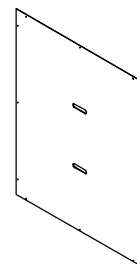
2PCS

I FRONT AND BACK PANEL



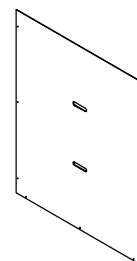
2PCS

J TOP BACK PANEL



1PC

K BOTTOM BACK PANEL

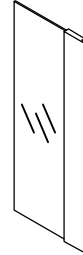


1PC

# ASSEMBLY INSTRUCTIONS

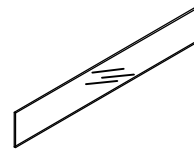
## PARTS IDENTIFICATION

L DOOR PANEL



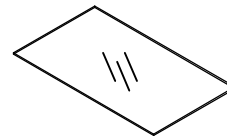
4PCS

M SIDE GLASS



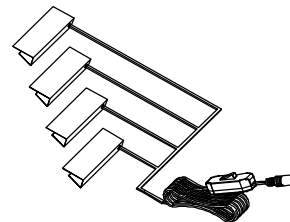
4PCS

N SHELF GLASS



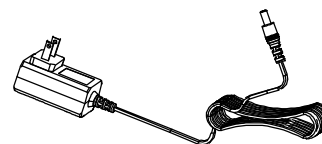
4PCS

O SHELF LIGHT



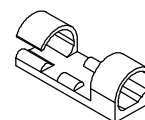
1PC

P POWER ADAPTER



1PC

Q POWER CORD CLAMP


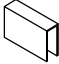










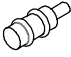




3PCS

# ASSEMBLY INSTRUCTIONS

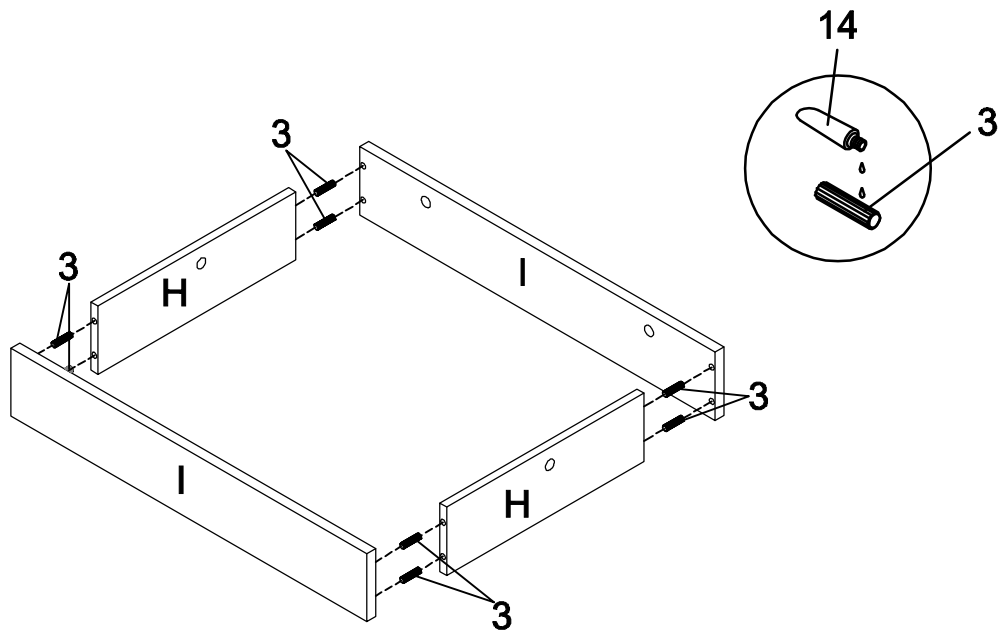
## HARDWARE IDENTIFICATION

Z

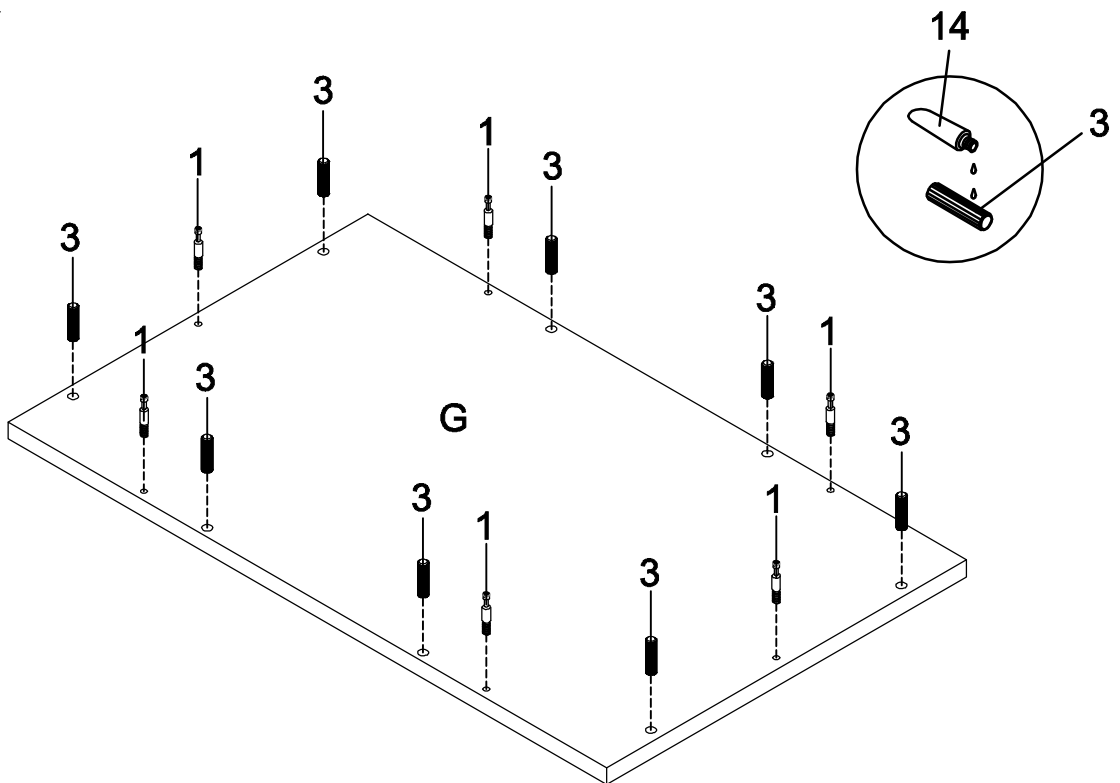
1	CAM-BOLT (6 x 35mm SR)		22PCS	9	METAL CONTACT		4PCS
2	CAM-LOCK ( $\phi$ 15mm SR)		22PCS	10	ADHESIVE		4PCS
3	WOOD DOWEL (8 x 30mm)		24PCS	11	DOOR PIN		8PCS
4	SCREW (3.5 x 15mm)		21PCS	12	STICKER		16PCS
5	SHORT SCREW (3.5 x 8mm)		16PCS	13	LONG WOOD DOWEL (8 x 50mm)		4PCS
6	PUSH-TO-OPEN MECHANISM		4PCS	14	GLUE		1PC
7	SHELF PIN		16PCS	15	ALLEN WRENCH (4mm)		1PC
8	SMALL SHELF PIN		8PCS				

# ASSEMBLY INSTRUCTIONS

**STEP 1** Do not tighten until each step is completed or instructed.

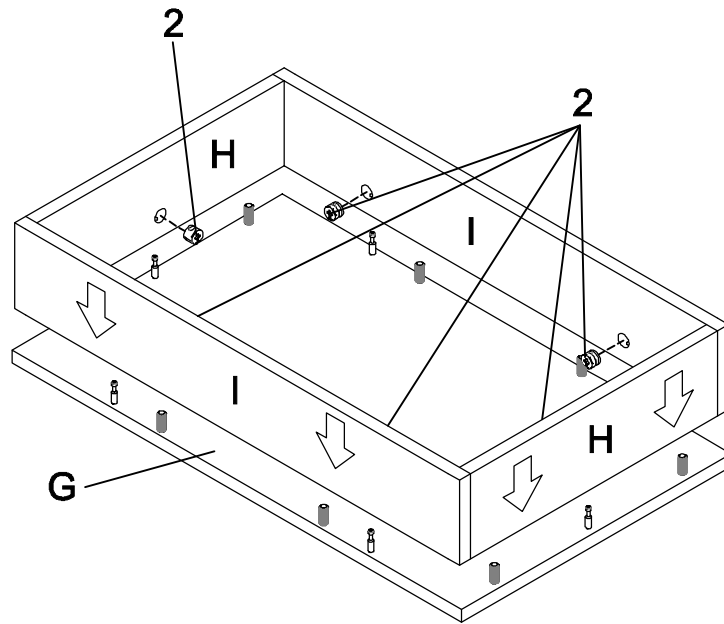


## STEP 2

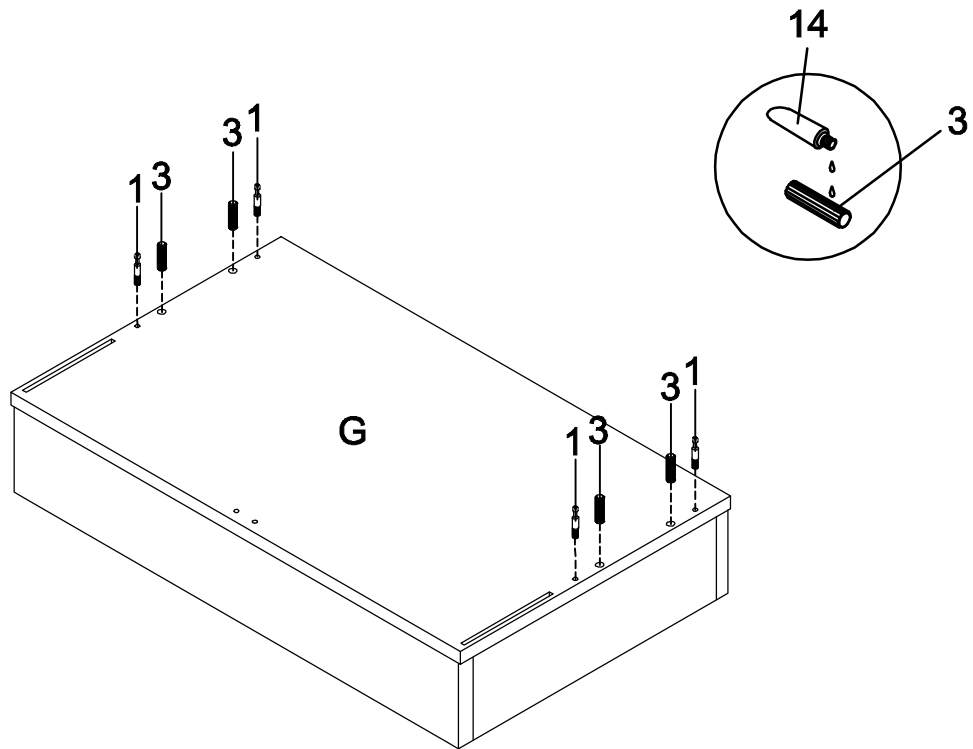


# ASSEMBLY INSTRUCTIONS

## STEP 3

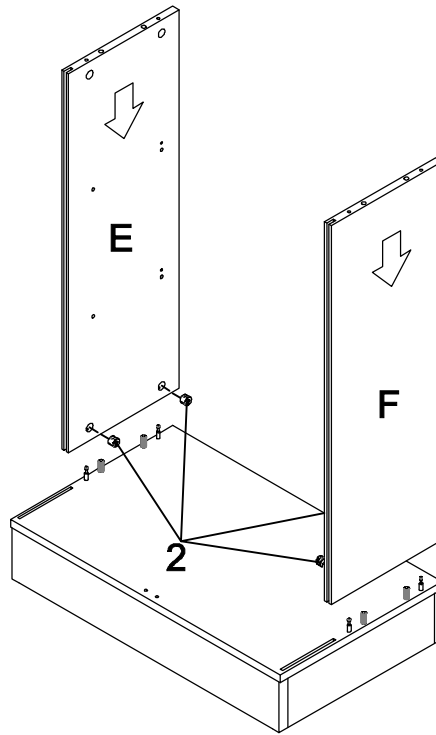


## STEP 4

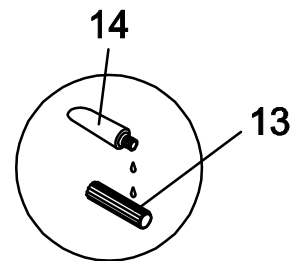
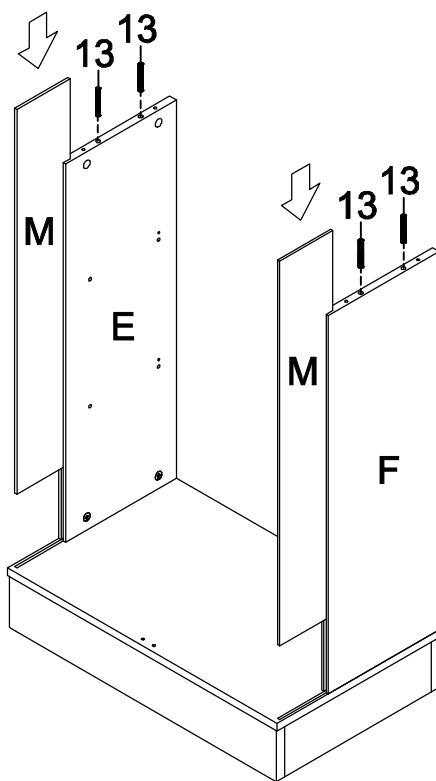


# ASSEMBLY INSTRUCTIONS

## STEP 5



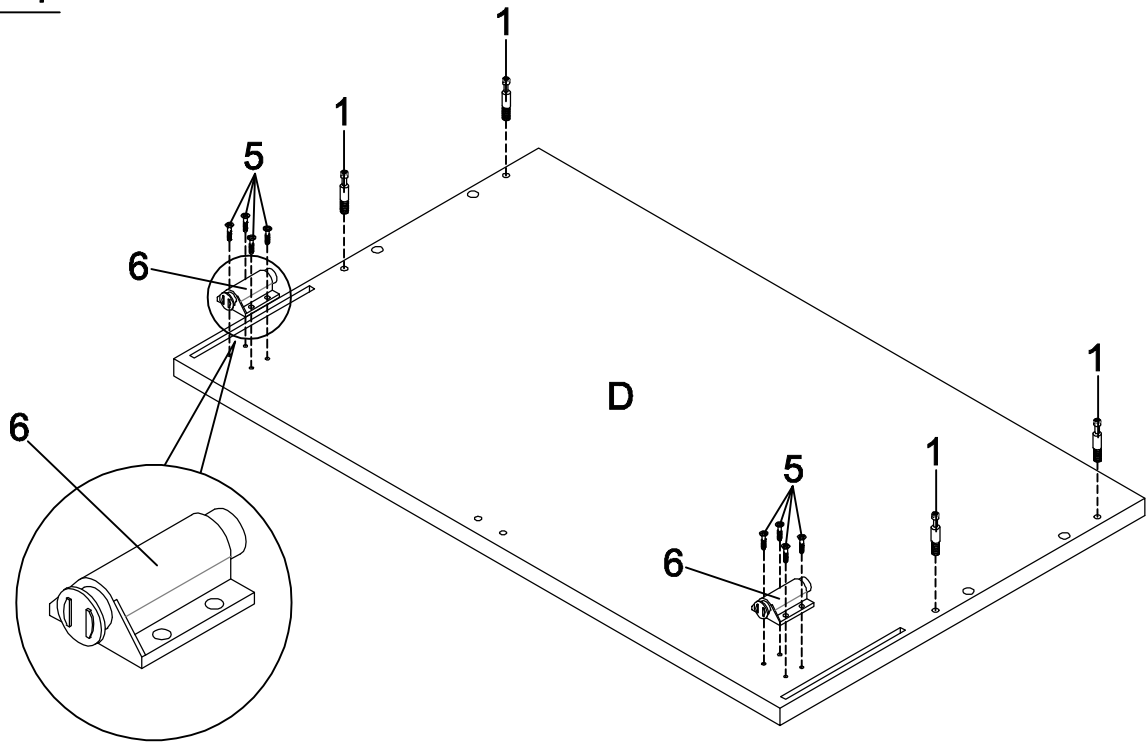
## STEP 6



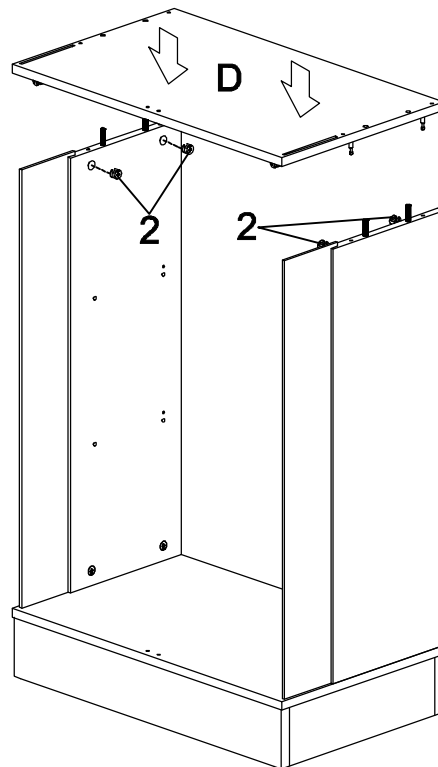


# ASSEMBLY INSTRUCTIONS

## STEP 7

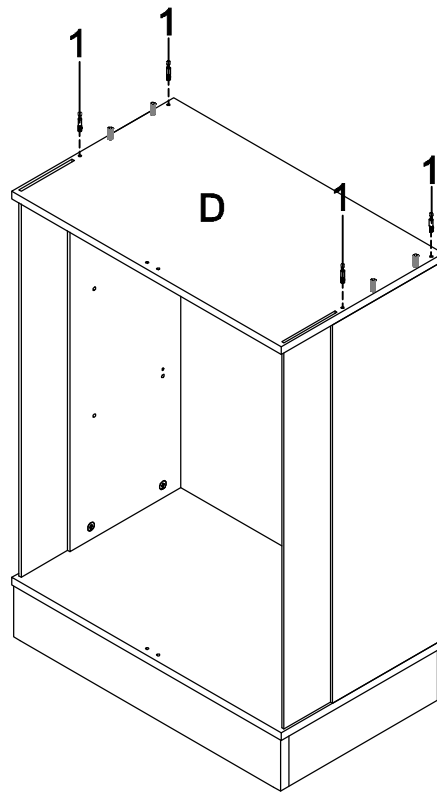


## STEP 8

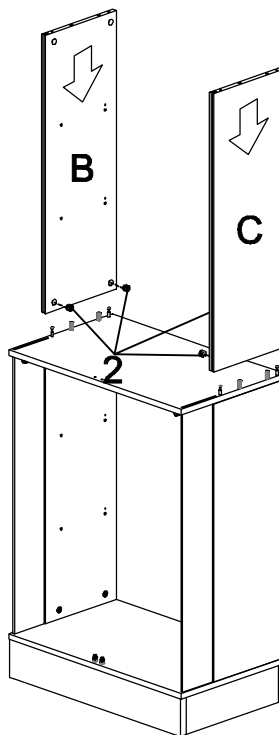


# ASSEMBLY INSTRUCTIONS

## STEP 9

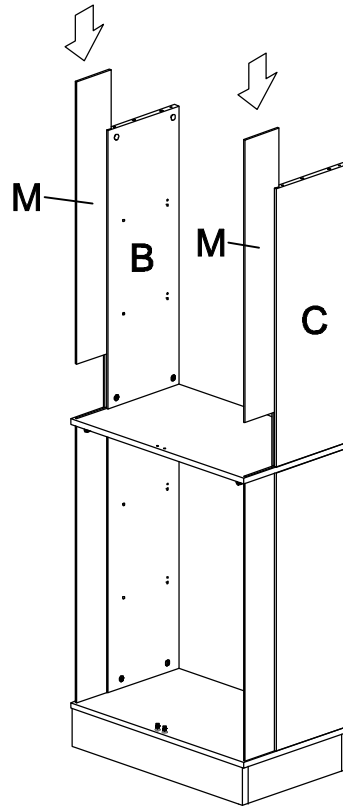


## STEP 10

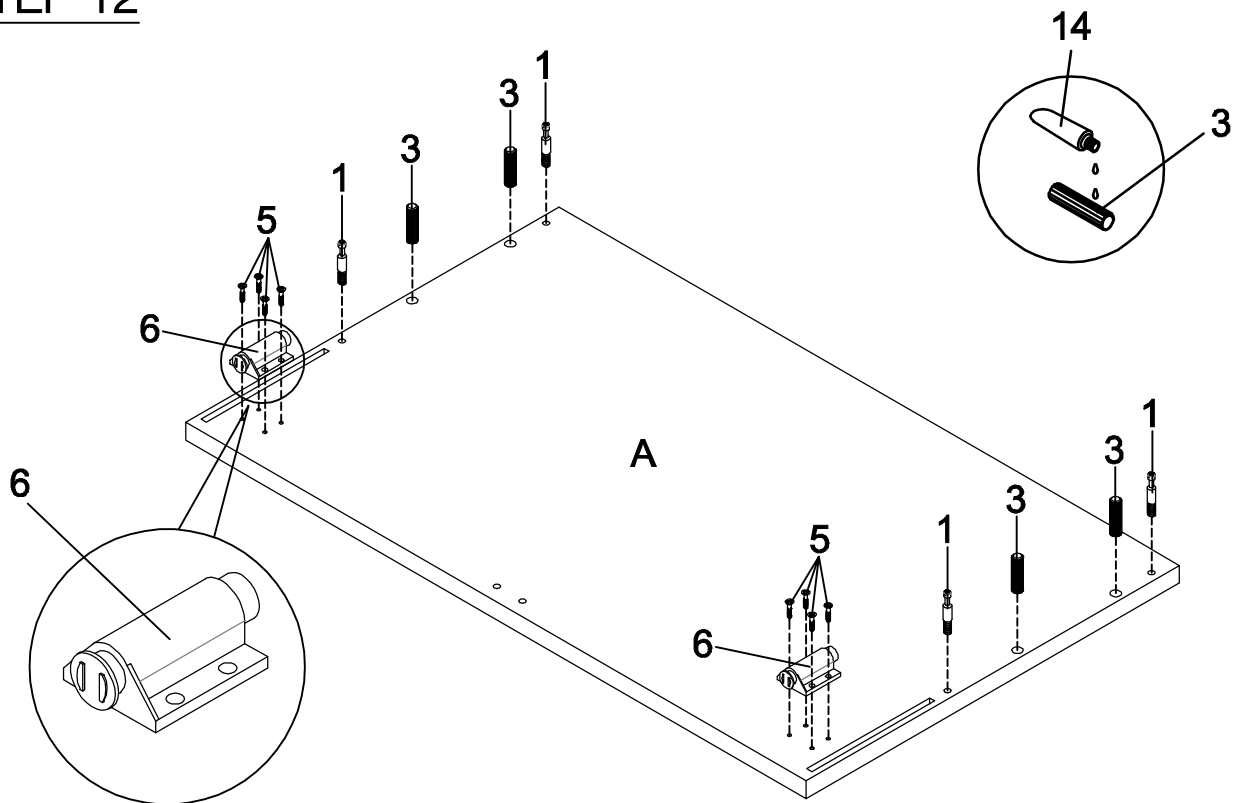


# ASSEMBLY INSTRUCTIONS

## STEP 11

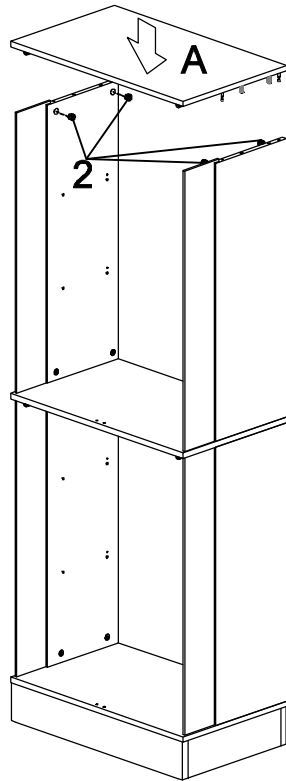


## STEP 12

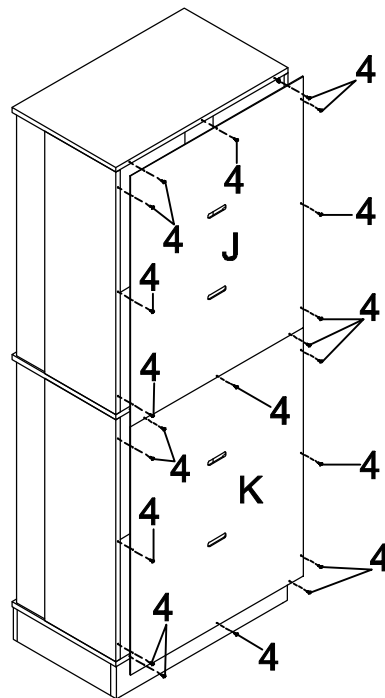


# ASSEMBLY INSTRUCTIONS

## STEP 13

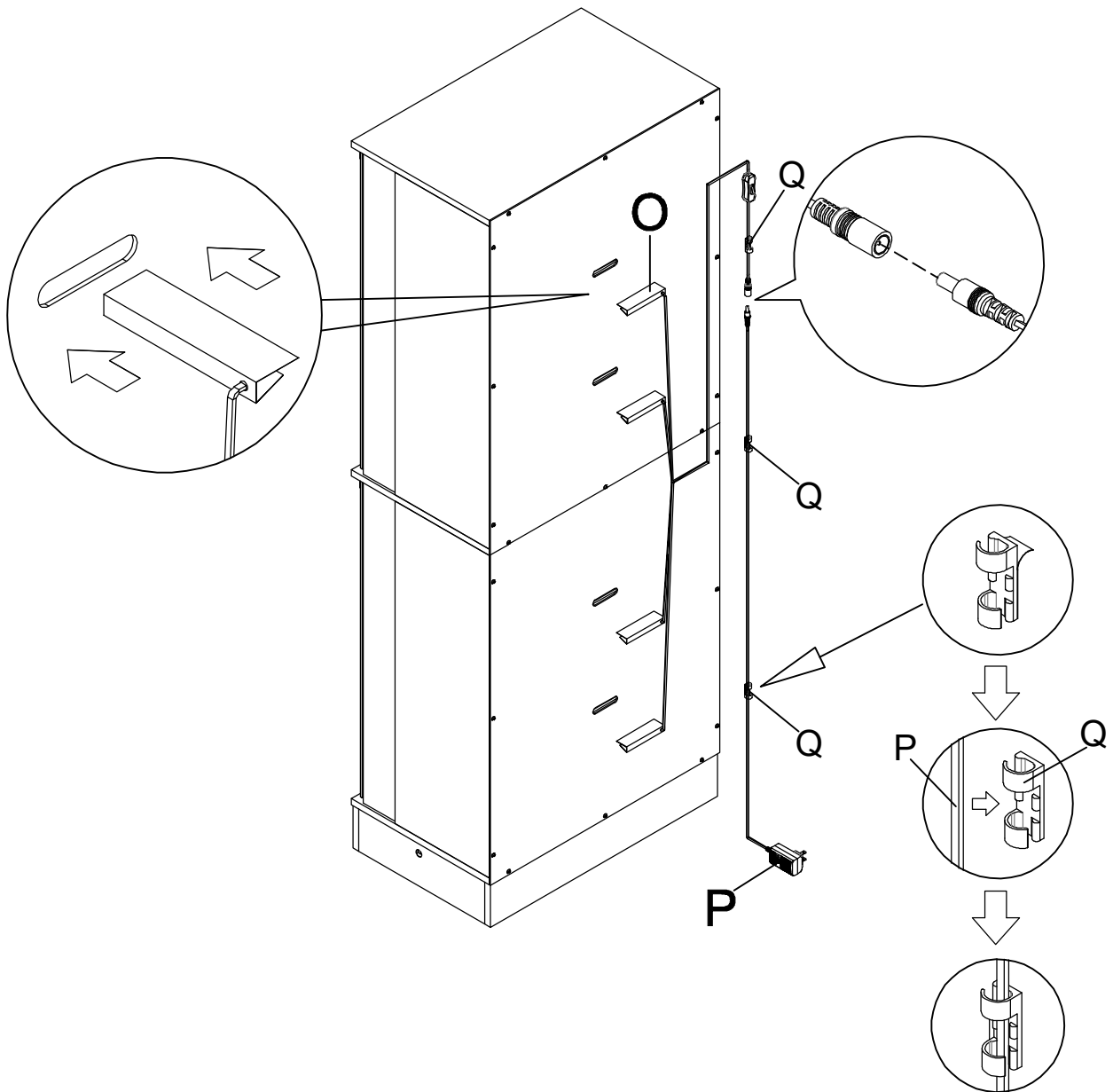


## STEP 14



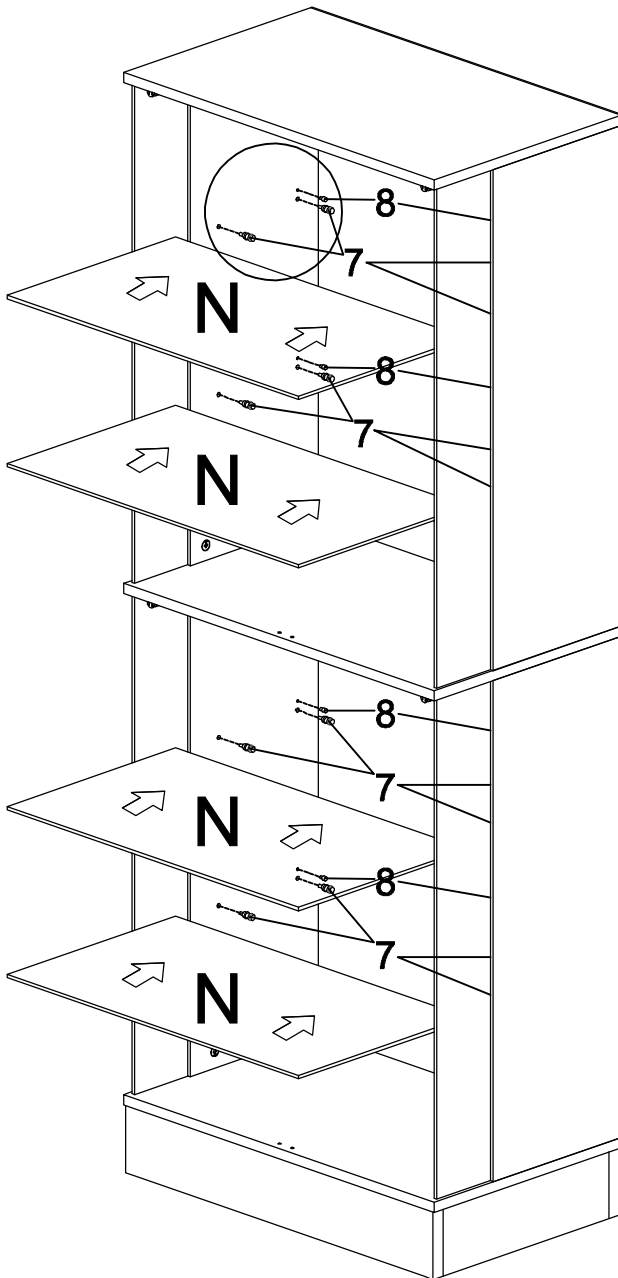
# ASSEMBLY INSTRUCTIONS

## STEP 15

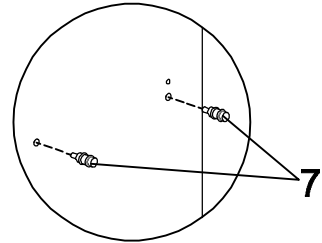


# ASSEMBLY INSTRUCTIONS

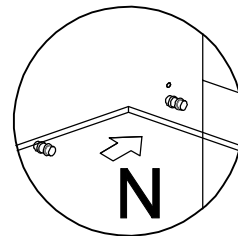
## STEP 16



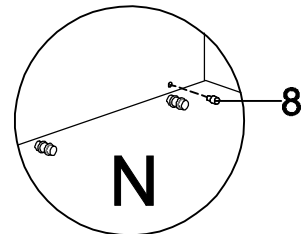
### STEP 1



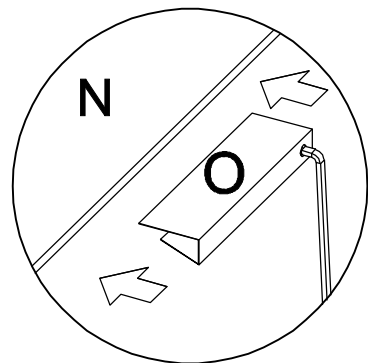
### STEP 2



### STEP 3



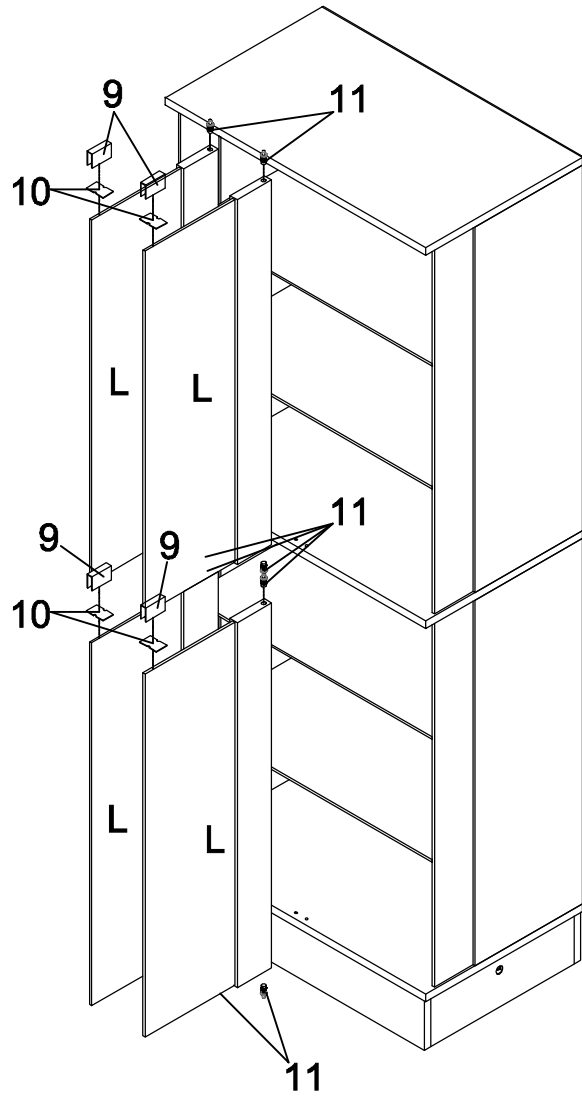
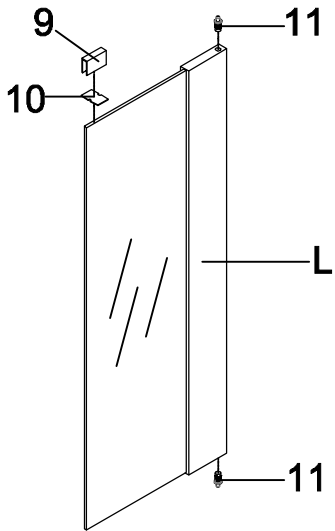
### STEP 4



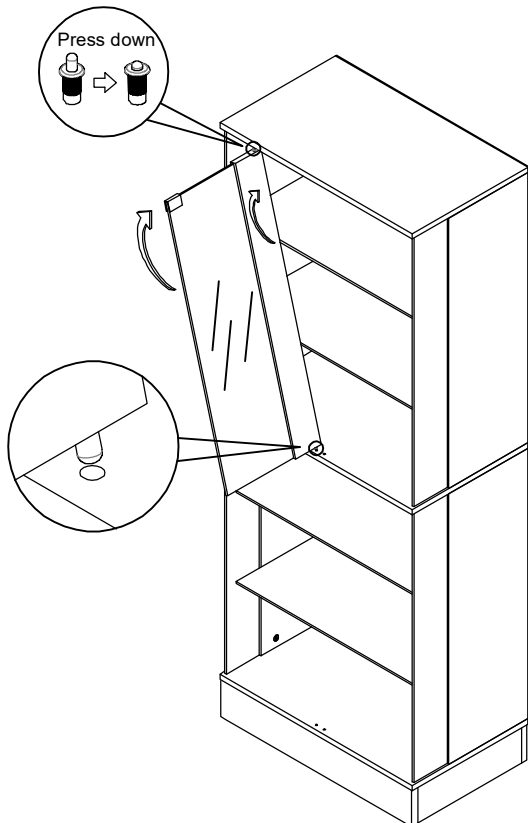
# ASSEMBLY INSTRUCTIONS

## STEP 17

### STEP 1

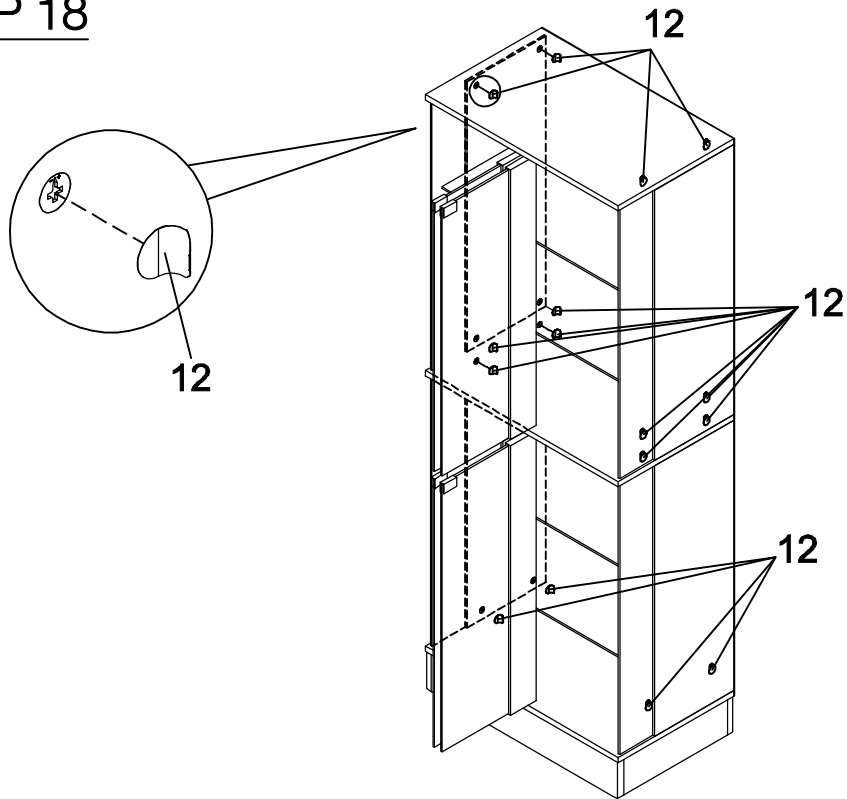


### STEP 2

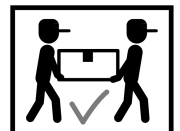
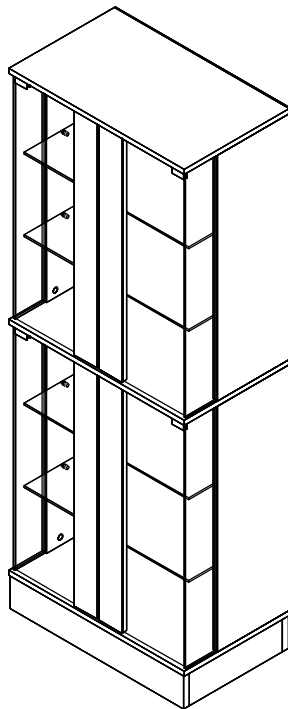


# ASSEMBLY INSTRUCTIONS

## STEP 18



## STEP 19 COMPLETE

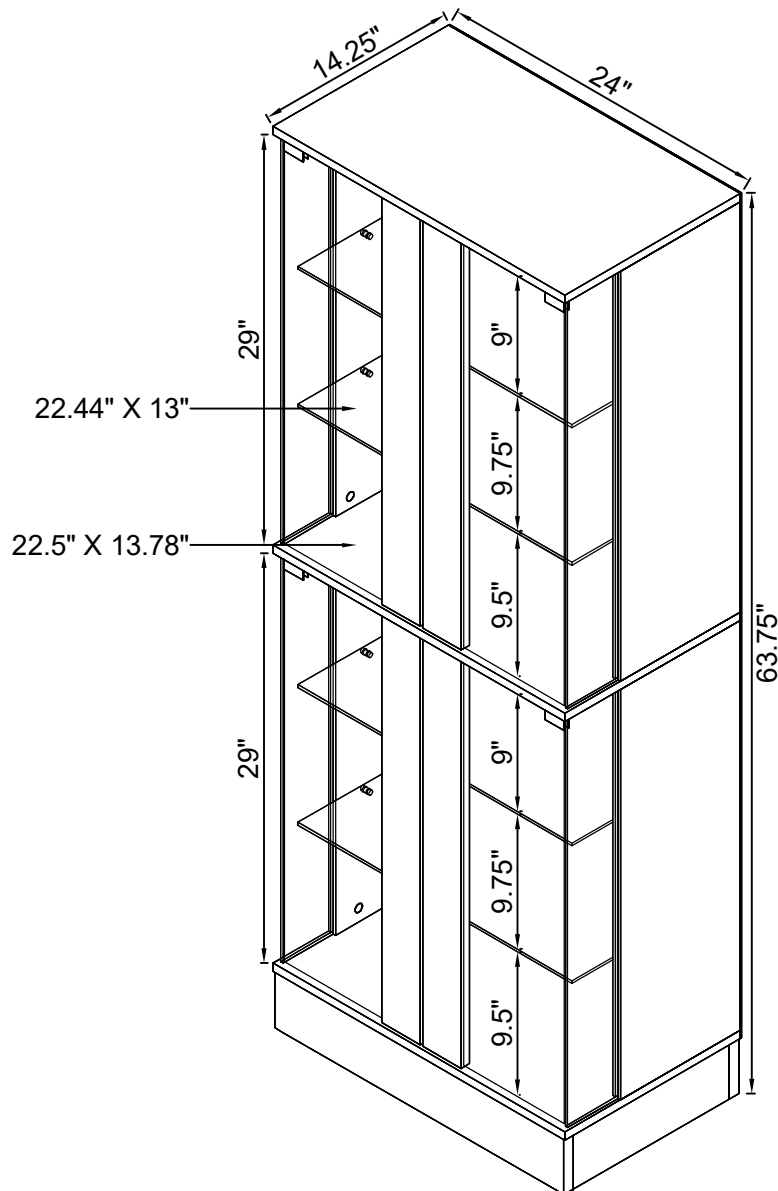




# ASSEMBLY INSTRUCTIONS

**Product Size : 610 X 362 X 1619 H (MM)**

**Product Size : 24" X 14.25" X 63.75"**



Note : Dimension tolerance  $\pm 5\%$

# 950397

## ANTI-TIPPING INSTALLMENT INSTRUCTIONS FURNITURE TIPPING RESTRAINT

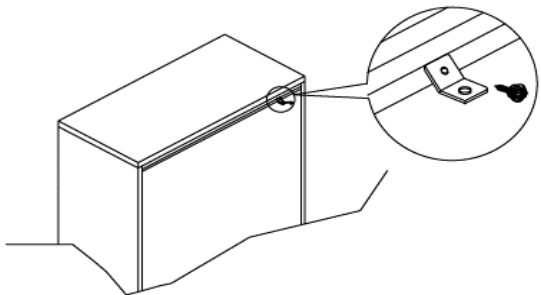
### WARNING

Injury may result from tipping furniture.  
This restraint may protect against tipping furniture.  
Do not allow children to climb on furniture.  
This restraint is not a substitute for proper adult supervision.  
Failure to detach this restraint before moving the furniture may result in injury and damage.

This tip restraint must be attached to a wall stud using long screw enclosed.

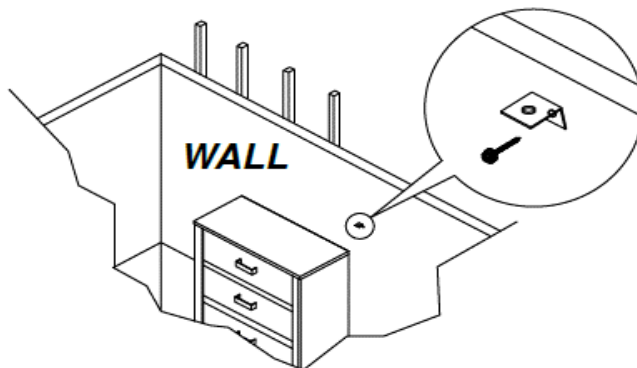
### STEP 1

Attach a bracket securely to the back top rail of the furniture using short screw provided, through the smaller hole.



### STEP 2

Locate the other bracket on the wall over a plastic wall stud and two inches below the mounting bracket secured to the back of the furniture. Attach the wall stud using the long screw provided, through the smaller hole.



### STEP 3

Place the furniture into position so both mounting brackets are vertically in line. Lace the end of the restraint strap through the larger hole in each mounting bracket. Bring both ends together and slide the flat end through the locking end and draw it through until all slack is removed. Confirm that the strap is securely laced and locked.

