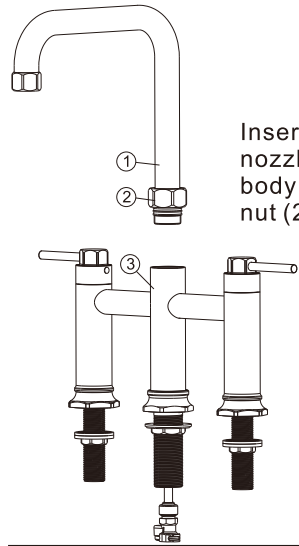


# TWO HANDLE WIDESPREAD KITCHEN FAUCETS

2341302



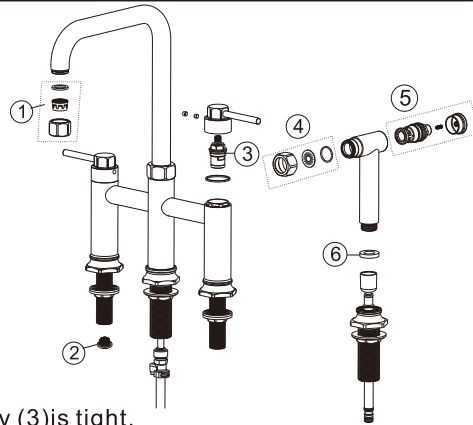
Insert the swing nozzle (1) into main body (3), screw the nut (2) tightly.

With 1.8 gpm are compliant with California water efficiency regulations, Complies with California Proposition 65 and with the Federal Safe Drinking Water Act.  
In areas with extremely low water pressure causing the faucet water flow to be unsatisfactory, replace the 2.2 gpm aerator to improve the water flow in the faucet.

**Cleaning and Care**  
Care should be given to the cleaning of this product. Although its finish is extremely durable, It can be damaged by harsh abrasives or polish. To clean, simply wipe gently with a damp cloth and blot dry with a soft towel.

## Maintenance-Please Email Us

If faucet exhibits very low flow:  
A. Remove and clean aerator (1).  
B. Remove and clean the filter (2) of the hot and cold screw of the faucet.  
C. Remove and clean the aerator (4) of the spray.  
D. Remove and clean the gasket (6) of the spray.  
E. Replace valve assembly (3).  
When reinstalling parts, make sure is tightened securely with a wrench.

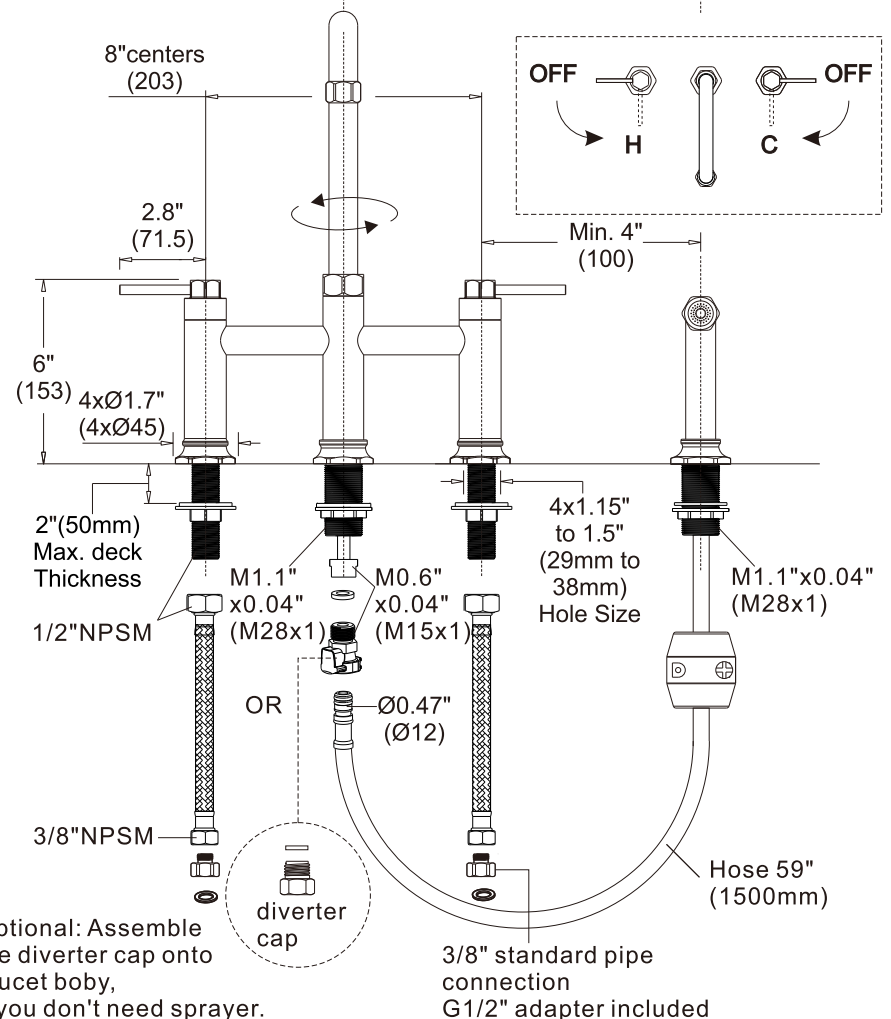
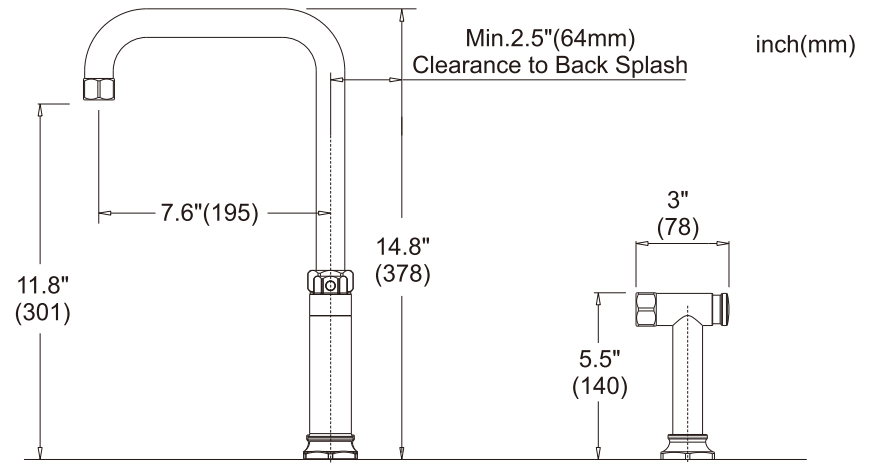


If faucet leaks from under handle:  
Using a wrench, ensure valve assembly (3) is tight.  
If leak persists—SHUT OFF WATER SUPPLIES. Replace valve assembly (3).  
When reinstalling parts, make sure is tightened securely with a wrench.

If faucet leaks from spout outlet—SHUT OFF WATER SUPPLIES.  
Replace valve assembly (3). When reinstalling parts, make sure is tightened securely with a wrench.

Install valve assembly (3) correctly for proper handle rotation. Replacement DST valves are shipped in the HOT orientation. For COLD valve operation, lift the stop, rotate it 90 degrees clockwise and push it back down into position. Install valve with arrow toward spout.

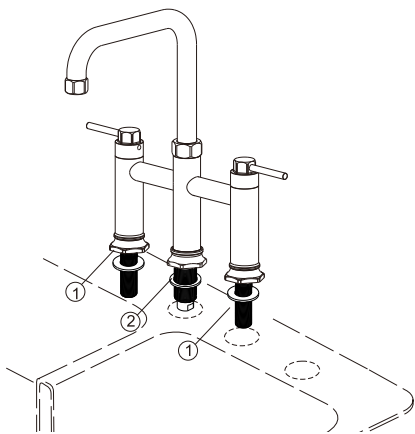
If faucet leaks from spray outlet—SHUT OFF WATER SUPPLIES.  
Replace valve assembly (5). When reinstalling parts, make sure is tightened securely with a wrench.



Optional: Assemble the diverter cap onto faucet body, if you don't need sprayer.

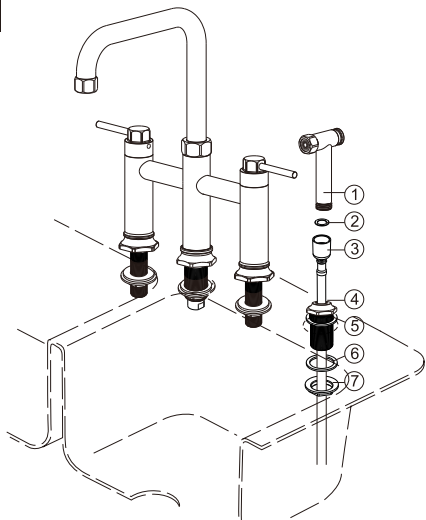
3/8" standard pipe connection  
G1/2" adapter included

1



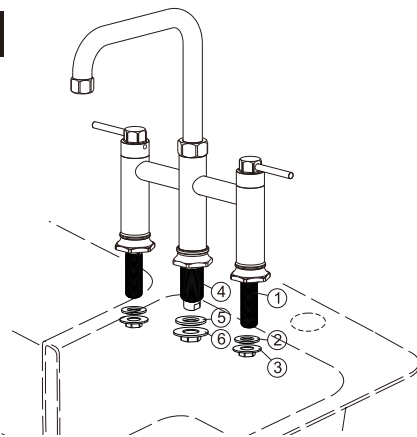
1. Make sure attach the gasket(1)(2) to the faucet body.
  2. Slide faucet down through mounting hole on sink.
- Option: If sink is uneven, use silicone under the gasket.

3



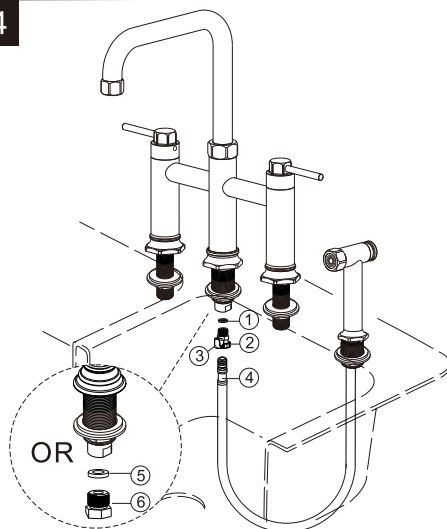
1. Mount spray support assembly(4) with washer(5) into far right hole in sink.
2. secure end valve with washer(6) and brass nut(7) and tighten.
3. Insert spray hose (3) down through spray support(4).
4. Attach spray (1) to hose (3), with gasket (2) between connection.

2



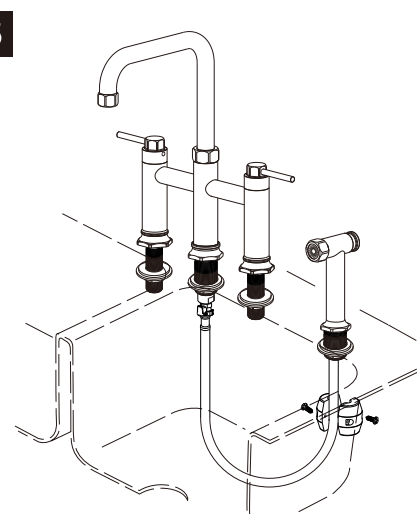
1. Place gasket(2) over mounting stud (1) under sink.
2. Screw hexagonal lock nut (3) on to mounting stud (1) and tighten.
3. Place gasket(5) over mounting stud (4) under sink.
4. Screw hexagonal lock nut (6) on to mounting stud (4) and tighten.

4



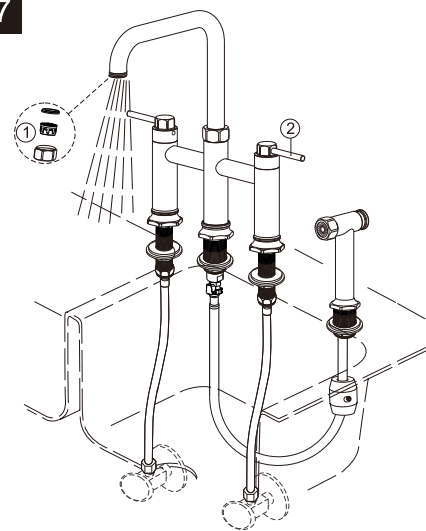
1. Attach quick connects (2) to the faucet , with gasket (1) between-connection.
  2. Attach pull-out hose (3) on quick connects (2). Press the quick connects firmly.
  3. You choose not to have a side spray later on.
- Optional: Assemble the diverter cap (6) to the faucet , with gasket(5) between connection.

5



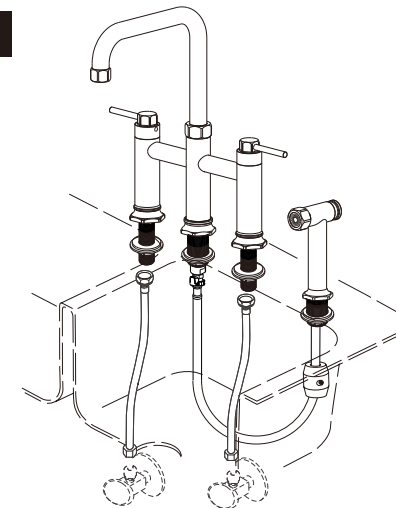
- Attach weight ball(1) to pull-out hose (2)

7



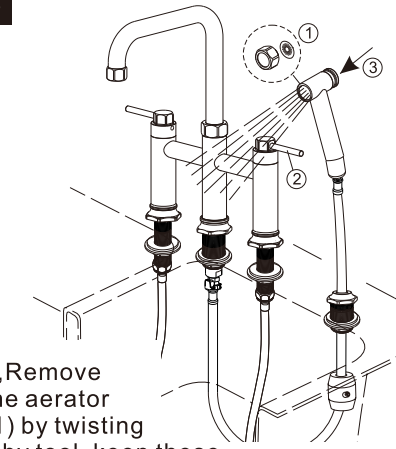
1. Remove the aerator(1) by hand , turn faucet handles (2) to the full on mixed position.
2. Turn on hot and cold water supplies and flush water lines for one minute. Important: This flushes away any debris that could cause damage to internal parts. Verify theseal is attached to aerator then reinstall. Check all connections for leaks. Re-tighten if necessary, but do not overtighten.

6



- Attach waterlines ,do not overtighten. Waterlines: 3/8" hot & cold hoses, If the angle is G1/2", please use G3/8" standard pipe connection G1/2" adapter included .

8



1. Remove the aerator (1) by twisting it by tool, keep these components carefully.
2. turn faucet handles (2) to the full on mixed position.
3. press the spray button and let it flush for a minute. Important: This flushes away any debris that could cause damage to internal parts. Verify theseal is attached to spray then reinstall. Check all connections for leaks. Re-tighten if necessary, but do not overtighten.