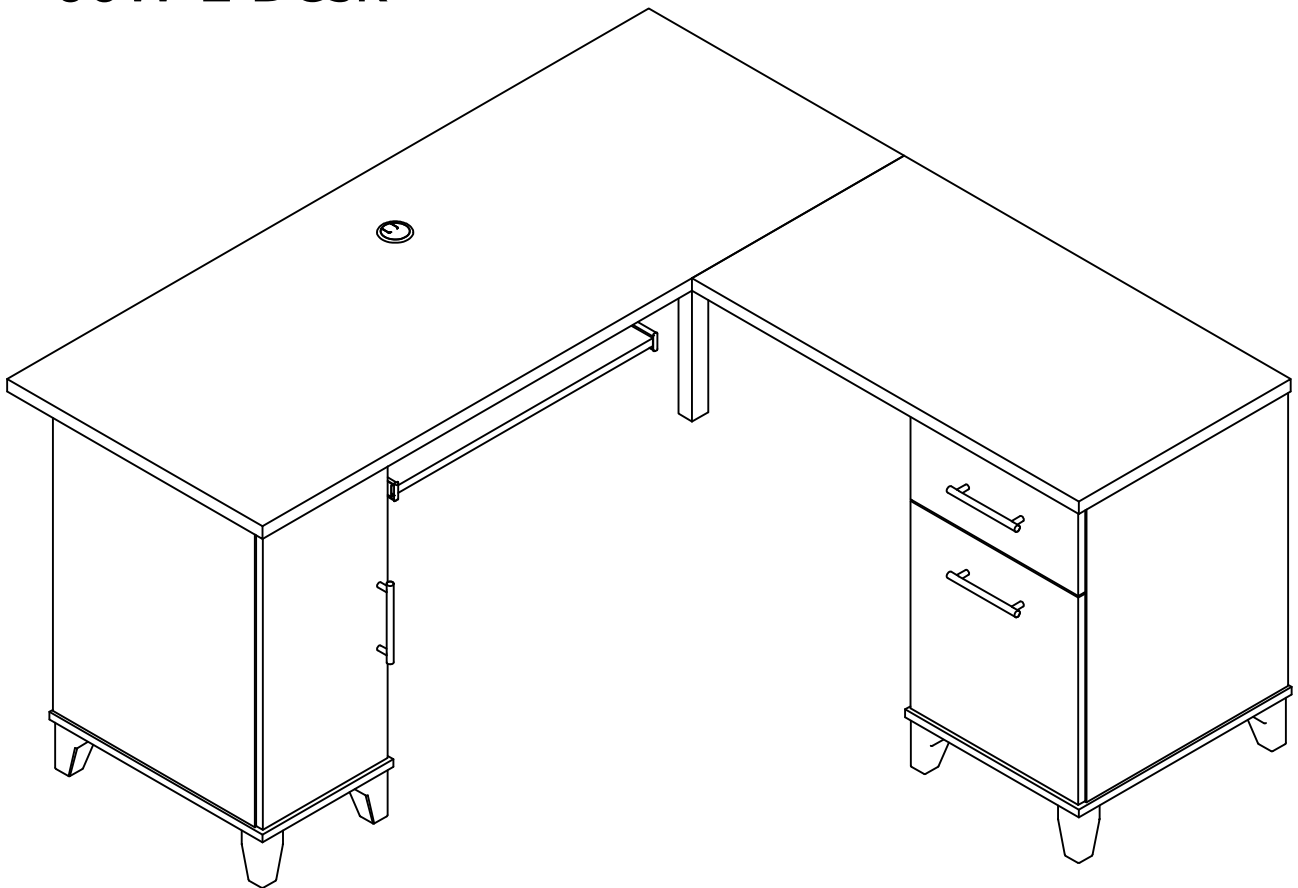


Installation & Assembly

60W L Desk



Get Ready to Assemble

For best results, keep these tips in mind:

- ① We know you want to finish this assembly as quickly as possible, but trust us: you'll have a better experience if you take it one step at a time.
- ② Give yourself some room to work near where you want the fully assembled product.
- ③ If your floor isn't carpeted, assemble this product on the empty carton to avoid scratching.
- ④ Do you have a friend who owes you a favor? Some steps may go a little easier with a second set of hands.

DOs

- ✔ Use a #2 Phillips head screwdriver (or other handheld tools as indicated)
- ✔ Wear safety glasses at all times during assembly
- ✔ Carefully follow the instructions in this guide and complete all steps in order
- ✔ Give us a call if you're having trouble with a particularly tricky step

DON'Ts

- ✘ We know power tools are quick and easy, but you shouldn't use them when assembling this product (unless otherwise specified)
- ✘ Never move your furniture with items inside or resting on the surface
- ✘ Do not attempt to use this product before all steps have been completed

IMPORTANT SAFETY INFORMATION



PLEASE READ WARNINGS

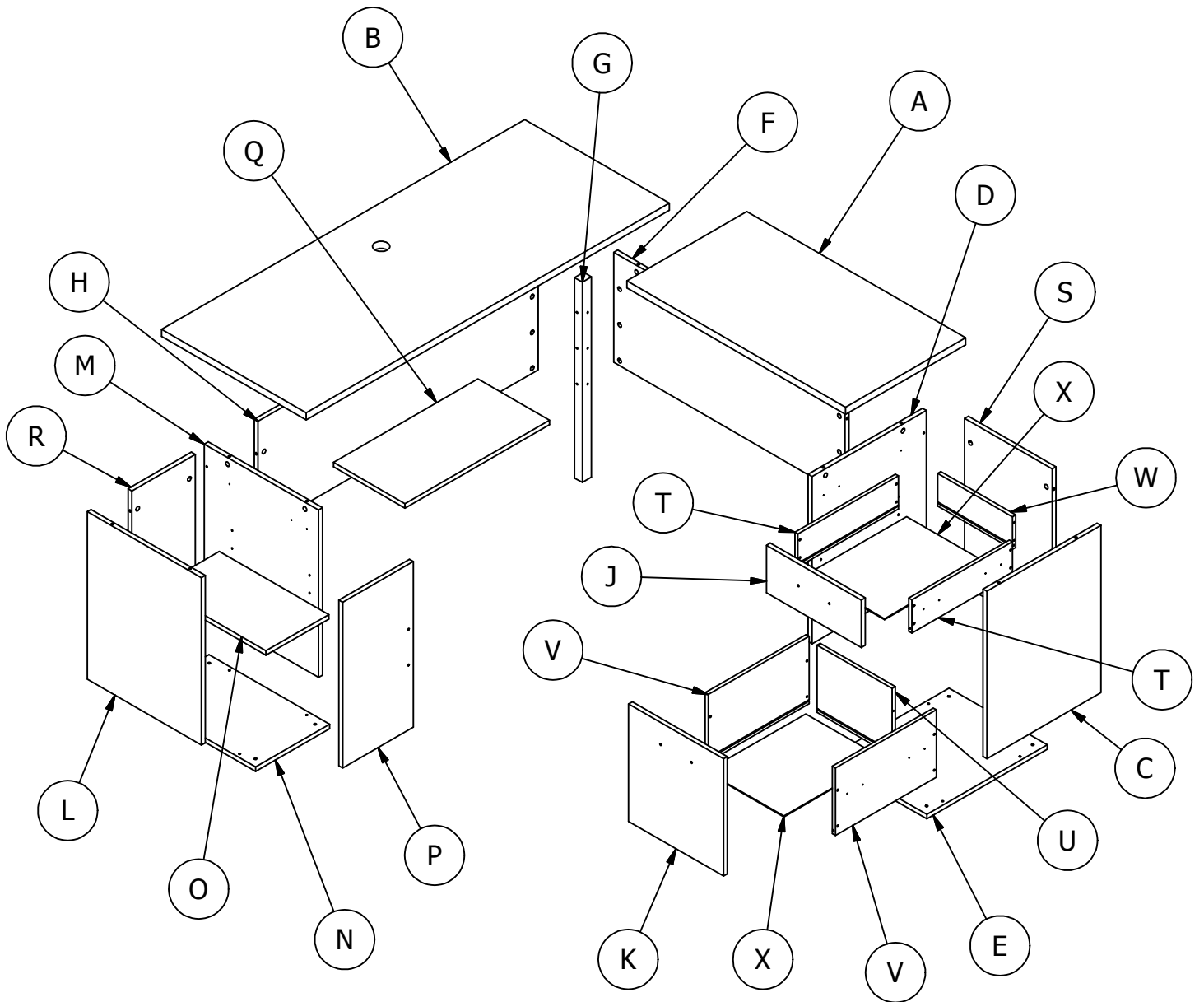
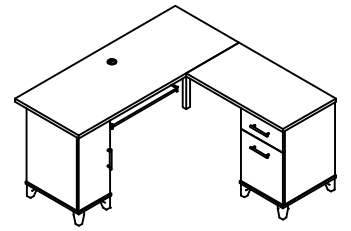
Improper use can cause safety hazards, or damage to your furniture and household items.

Warning	Do	Don't	Why it's important
Serious injury may occur.	<ul style="list-style-type: none">Assemble following all instructions using all indicated parts and hardware provided.	<ul style="list-style-type: none">Do not move unit when loaded.Do not load with a television or other heavy equipment.Do not exceed the maximum load limits stated in the instructions.	Improper assembly, use or loading can lead to product instability, tip-over or collapse.

Advertencia	Hacer	No	Por qué es importante
Se pueden producir lesiones graves.	<ul style="list-style-type: none">Ensamble siguiendo todas las instrucciones utilizando todas las piezas y ferretería indicados provistos.	<ul style="list-style-type: none">No mueva la unidad cuando esté cargada.No cargue con un televisor u otro equipo pesado.No exceda los límites máximos de carga establecidos en las instrucciones.	El ensamblaje, uso o carga inadecuados pueden provocar inestabilidad del producto, vuelco o colapso.

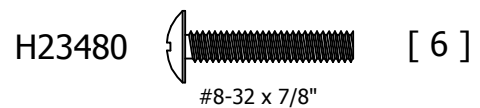
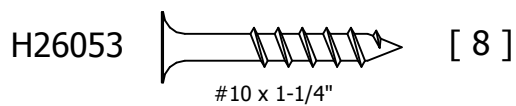
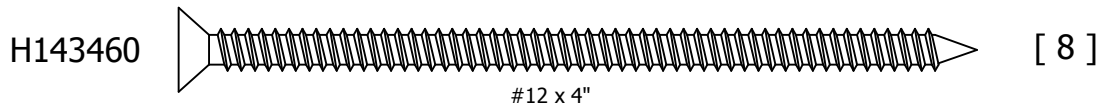
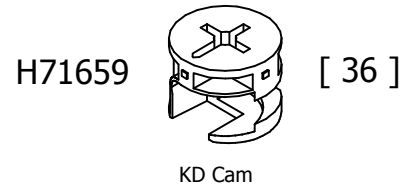
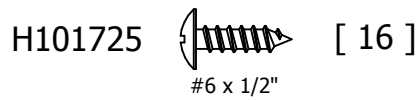
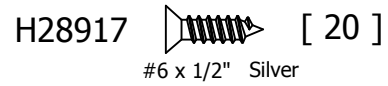
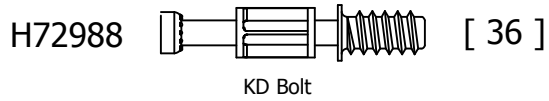
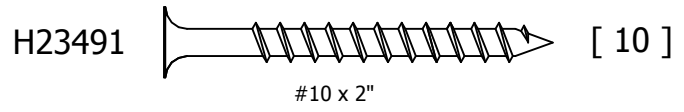
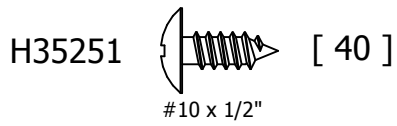
Avertissement	Faire	Ne le fais pas	Pourquoi c'est important
Des blessures graves peuvent survenir.	<ul style="list-style-type: none">Assemblez en suivant toutes les instructions en utilisant toutes les pièces et le matériel indiqués fournis.	<ul style="list-style-type: none">Ne déplacez pas l'unité lorsqu'elle est chargée.Ne chargez pas avec un téléviseur ou un autre équipement lourd.Ne dépassez pas les limites de charge maximale indiquées dans les instructions.	Un assemblage, une utilisation ou un chargement incorrects peuvent entraîner une instabilité du produit, un renversement ou un effondrement.

Get to know your Boards



Get to know your Fasteners

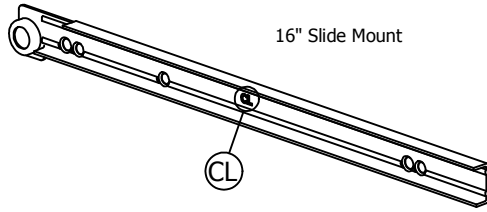
Fasteners are shown actual size.



Get to know your Hardware

Hardware not to scale.

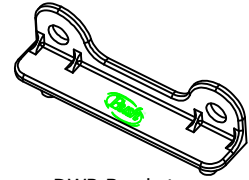
Q89897



16" Slide Mount

[1]

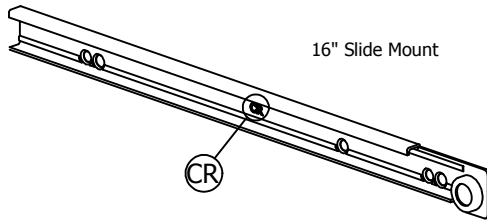
H100445



DWR Bracket

[2]

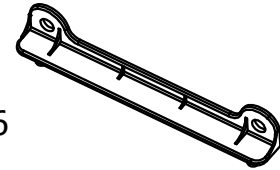
Q89897



16" Slide Mount

[1]

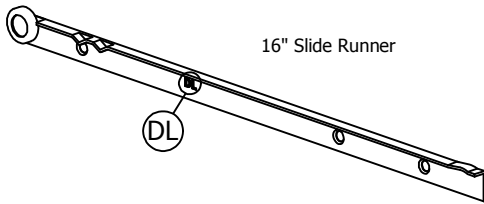
H100446



Drawer Bracket

[2]

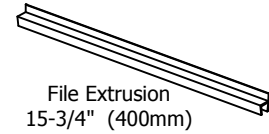
Q89897



16" Slide Runner

[1]

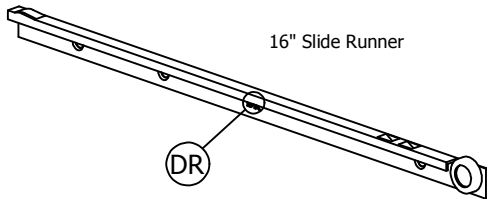
H162488



File Extrusion
15-3/4" (400mm)

[2]

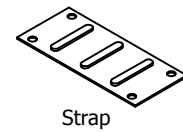
Q89897



16" Slide Runner

[1]

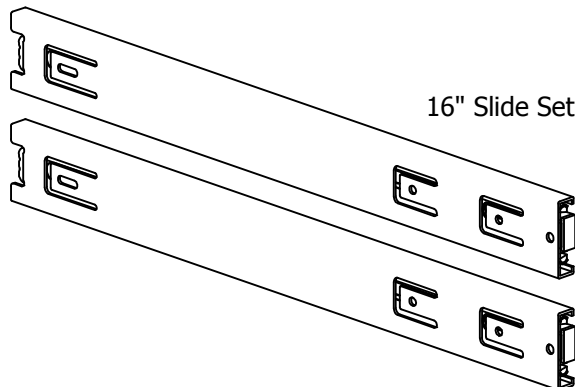
H39922



Strap

[2]

Q162813



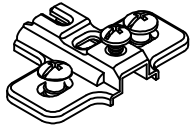
16" Slide Set

[1]

Get to know your Hardware

Hardware not to scale.

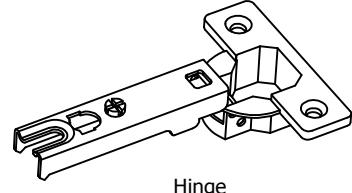
H126364



[2]

Mounting Plate

H126359



[2]

Hinge

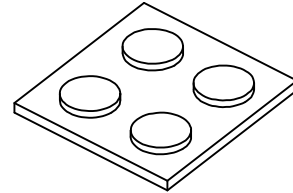
H23604



[4]

Shelf Pin

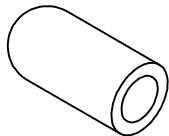
H77351



[2]

Bumper (4) per pack

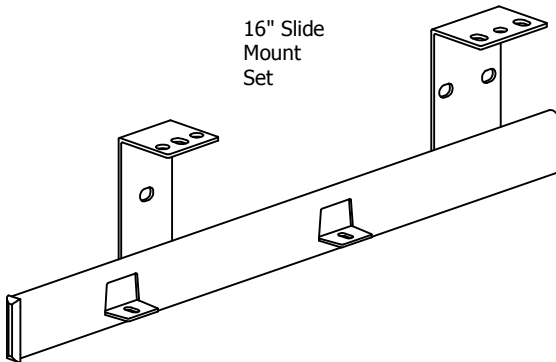
H126396



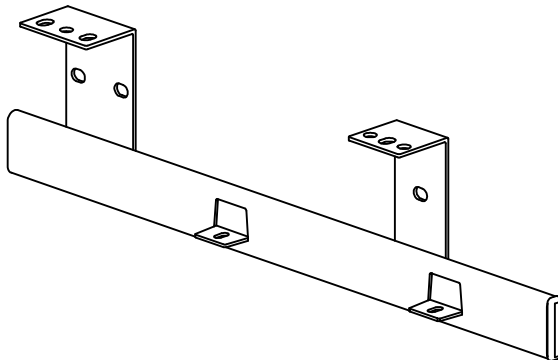
[4]

Shelf Pin Sleeve

16" Slide
Mount
Set



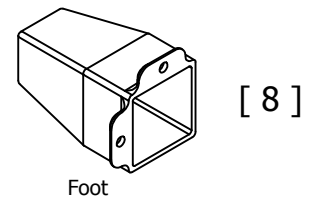
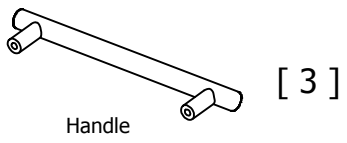
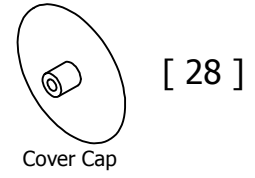
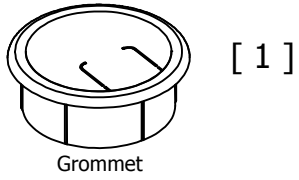
Q92805



[1]

Get to know your Hardware

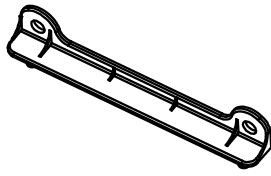
Hardware not to scale.



STEP 1

Prepare Drawer Fronts

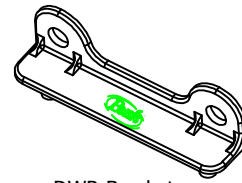
H100446



[2]

Drawer Bracket

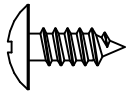
H100445



[2]

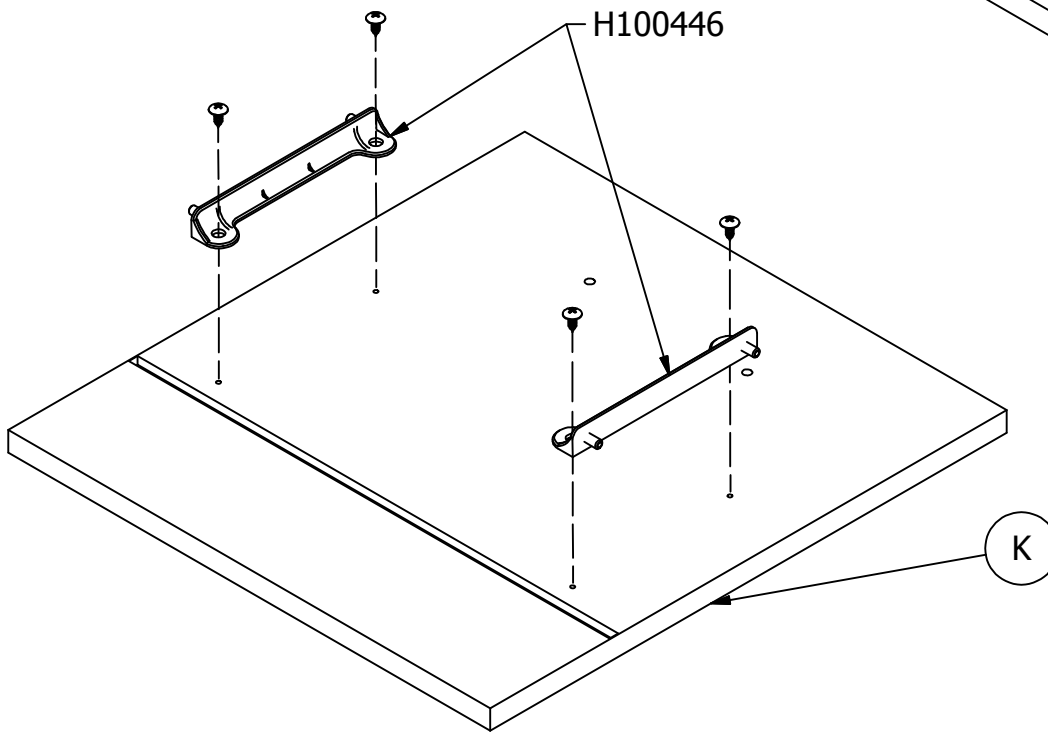
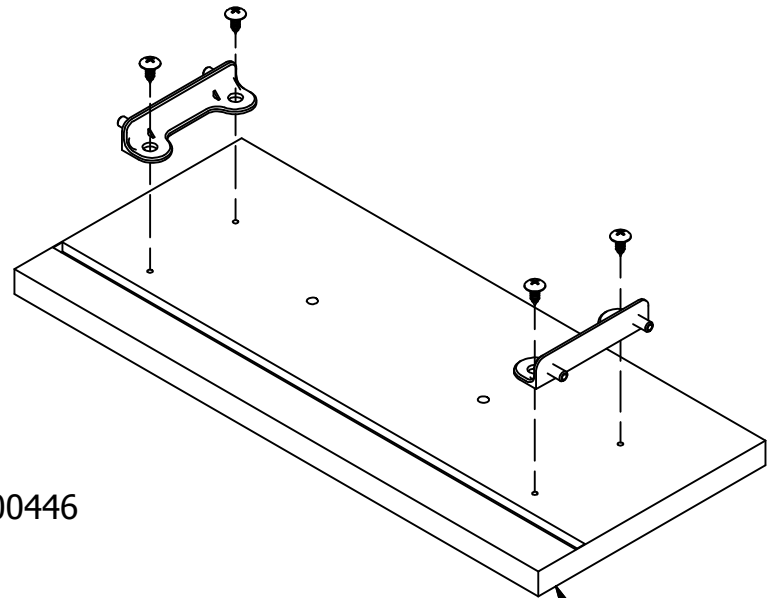
DWR Bracket

H35251




[8]

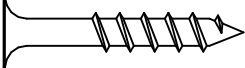
#10 x 1/2"

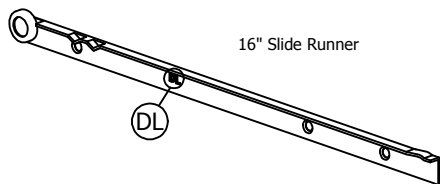
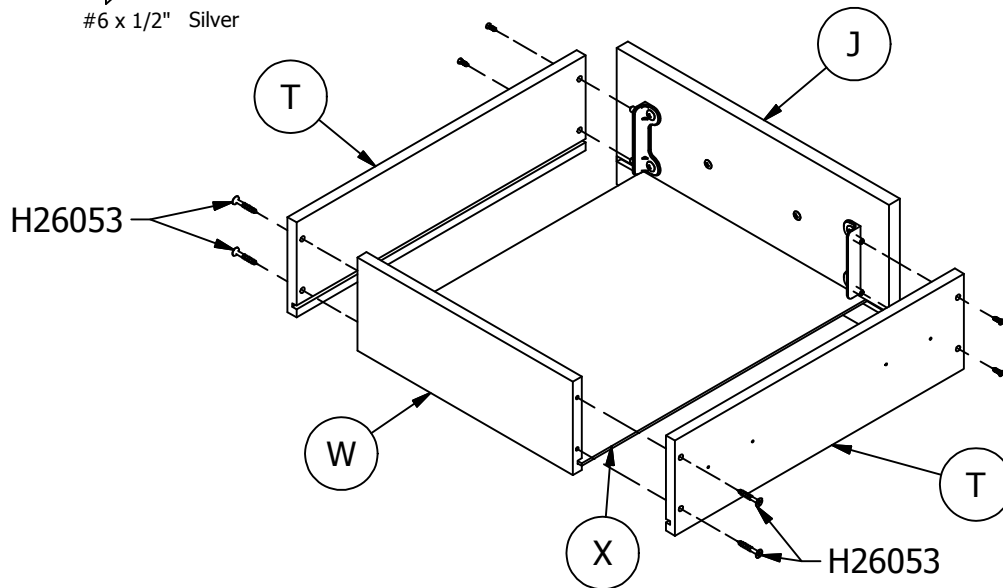


STEP 2

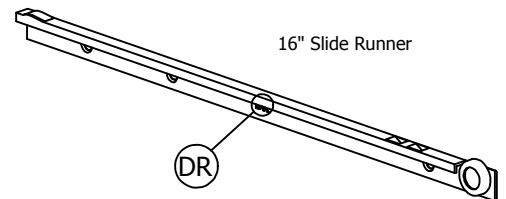
Assemble Drawers

H28917  [4]
#6 x 1/2" Silver

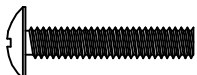
H26053  [4]
#10 x 1-1/4"

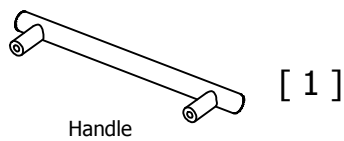


16" Slide Runner

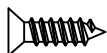


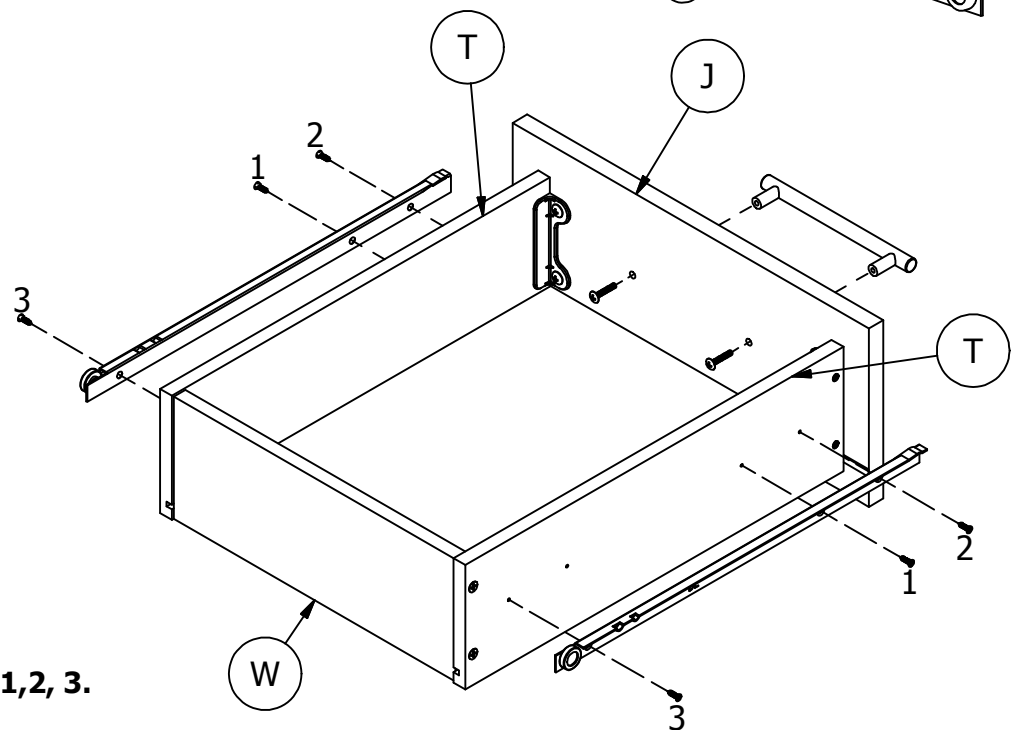
16" Slide Runner

H23480  [2]
#8-32 x 7/8"



[1]

H28917  [6]
#6 x 1/2" Silver



Tighten screws in order shown 1,2,3.
Atornille en orden indicado 1,2,3.
Serrer les vis dans la façon montrée 1,2,3.

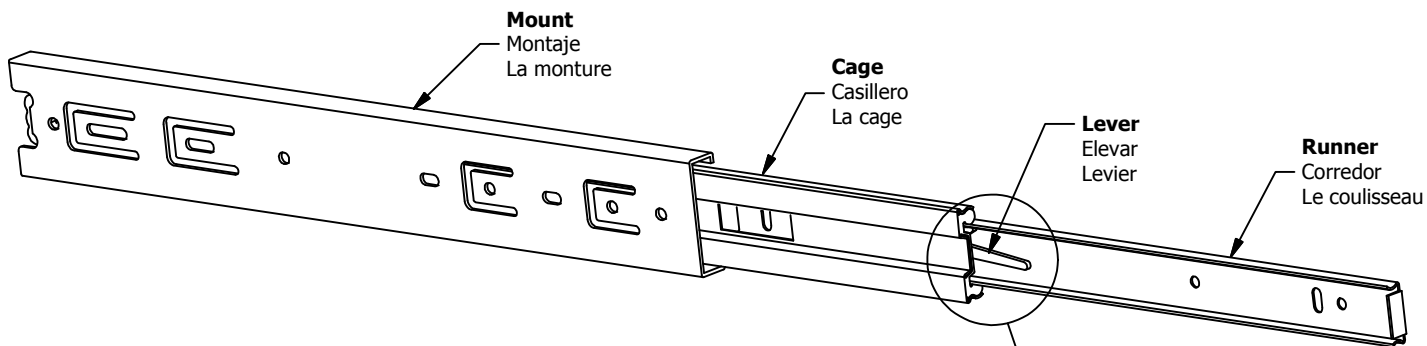
STEP 3

Separate Slide

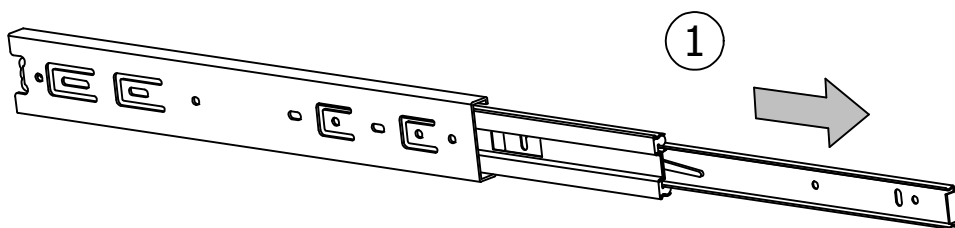
**Slides Must Be Separated Before Assembly.
After Separated, Set Aside Until Needed for Assembly.**

Las diapositivas deben separarse antes del montaje.
Después de la separación, déjelo a un lado hasta que sea necesario.

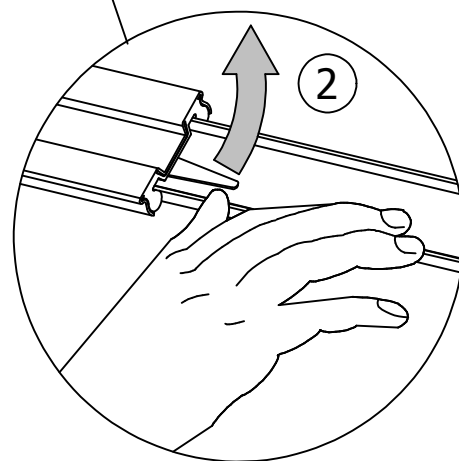
Les glissières doivent être séparées avant l'assemblage.
Après la séparation, mettez de côté jusqu'au moment de l'assemblage.



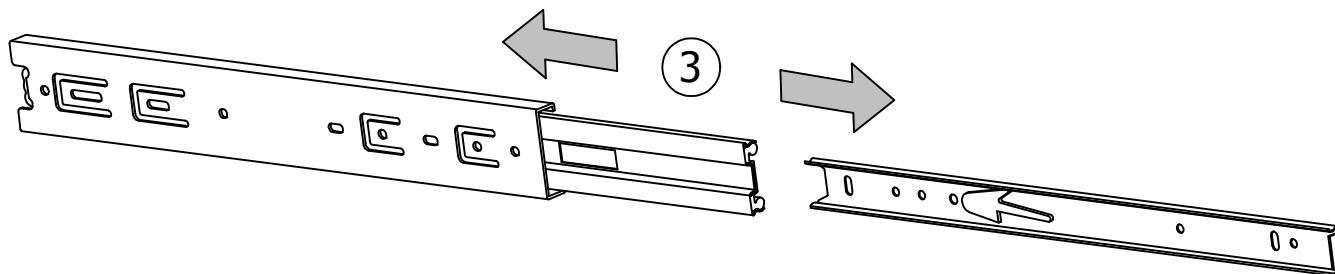
STEP 1: Extend Slide
Extender la diapositiva
Extendre la diapositive



STEP 2: Push Lever UP
Empujar hacia arriba
Lever le levier




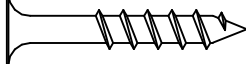
STEP 3: Remove Runner
Quitar el corredor
Enlever le coureur

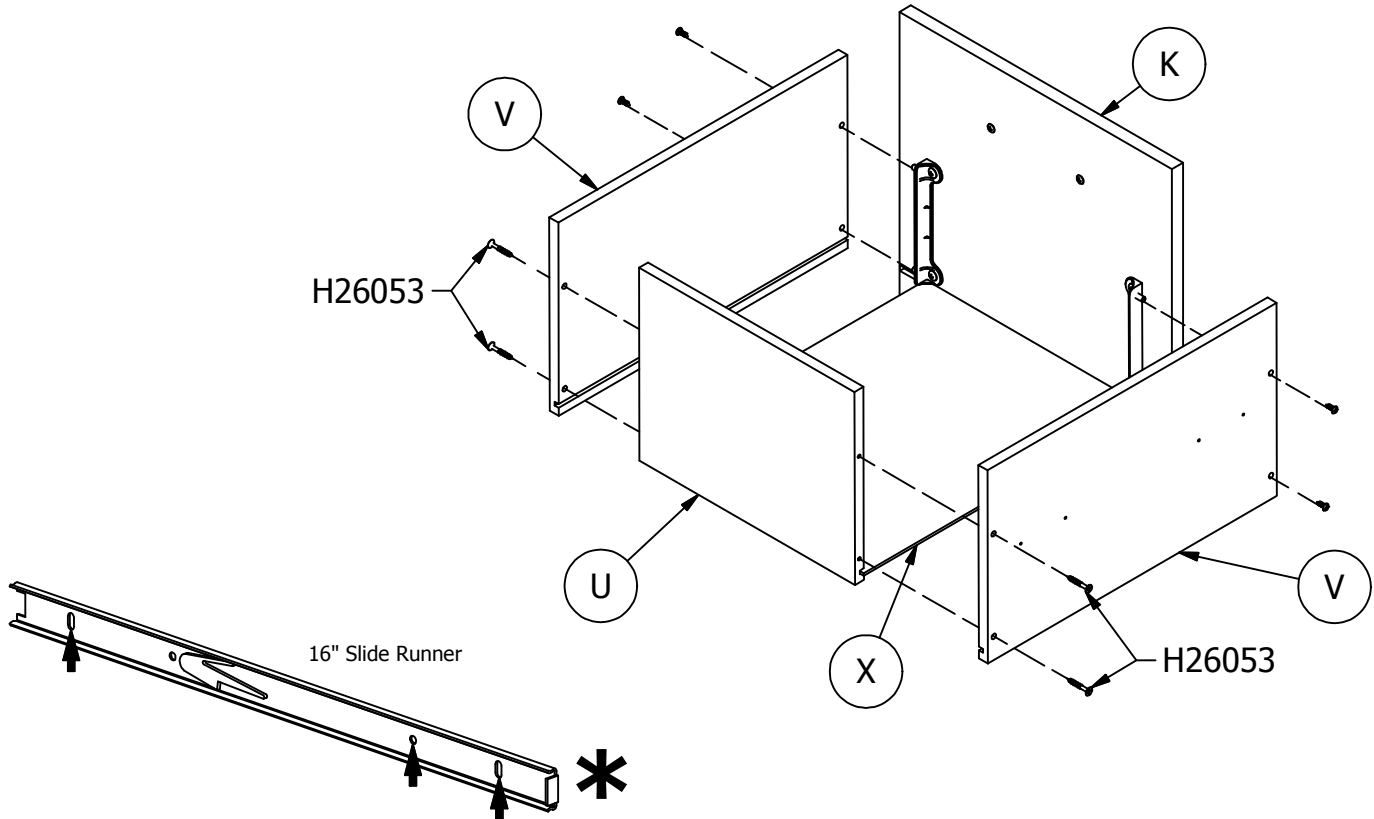



STEP 4

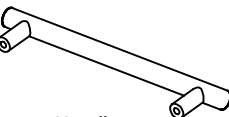
Assemble Drawers

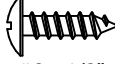
H101725  [4]
#6 x 1/2"

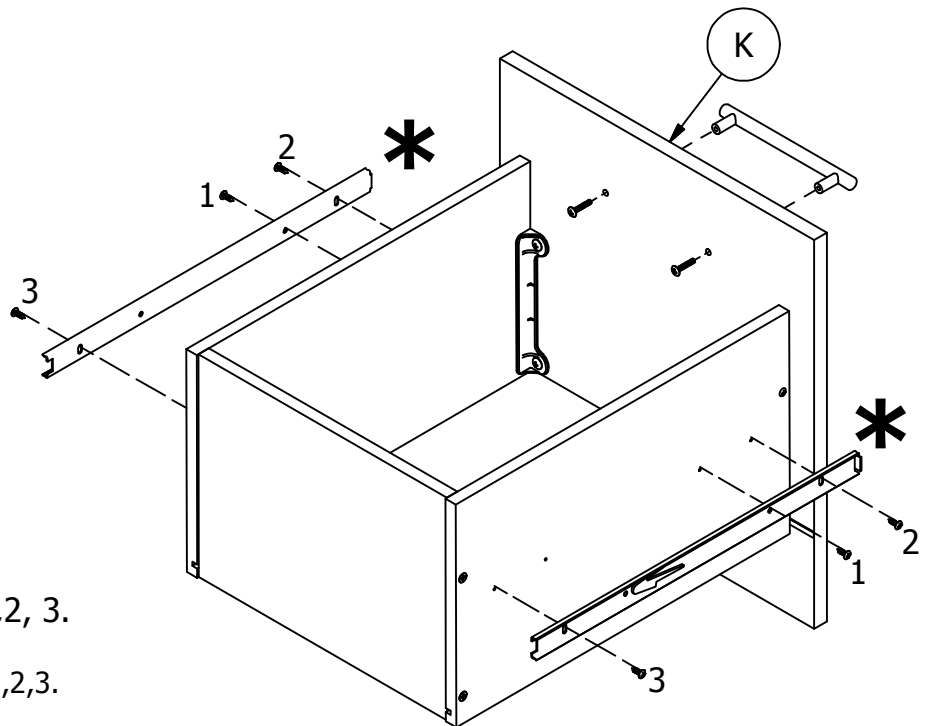
H26053  [4]
#10 x 1-1/4"



H23480  [2]
#8-32 x 7/8"

 [1]
Handle

H101725  [6]
#6 x 1/2"

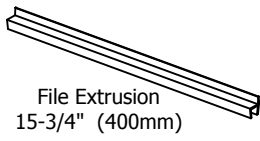


Tighten screws in order shown 1,2, 3.
Atornille en orden indicado 1,2,3.
Serrer les vis dans la facon montrée 1,2,3.

STEP 5

Build Drawers

H162488

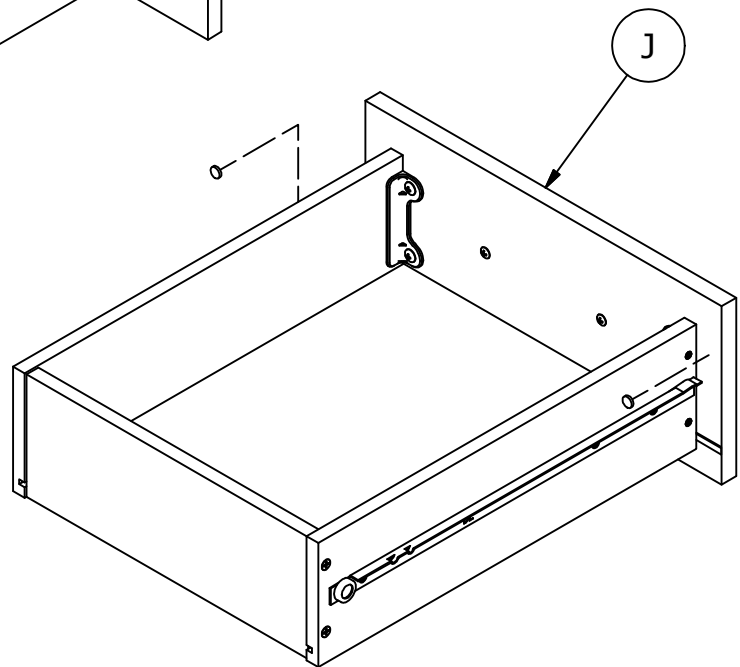
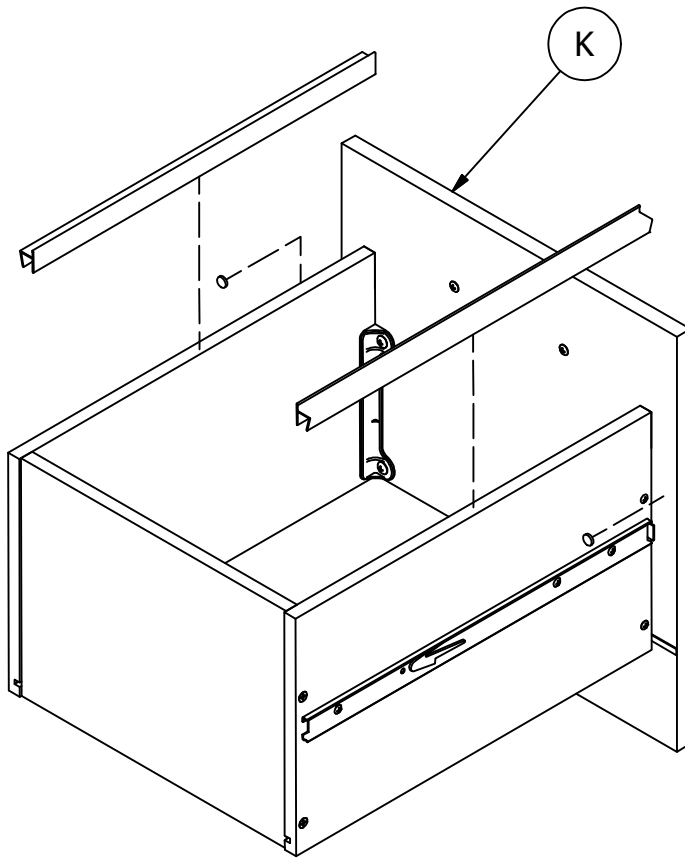


[2]

H77351

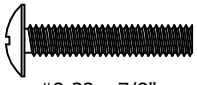


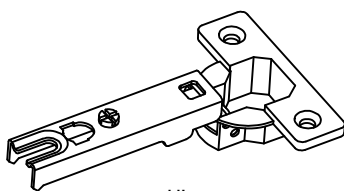
[4]




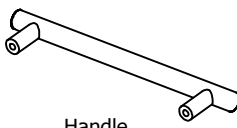
STEP 6


Prepare Cabinet Door

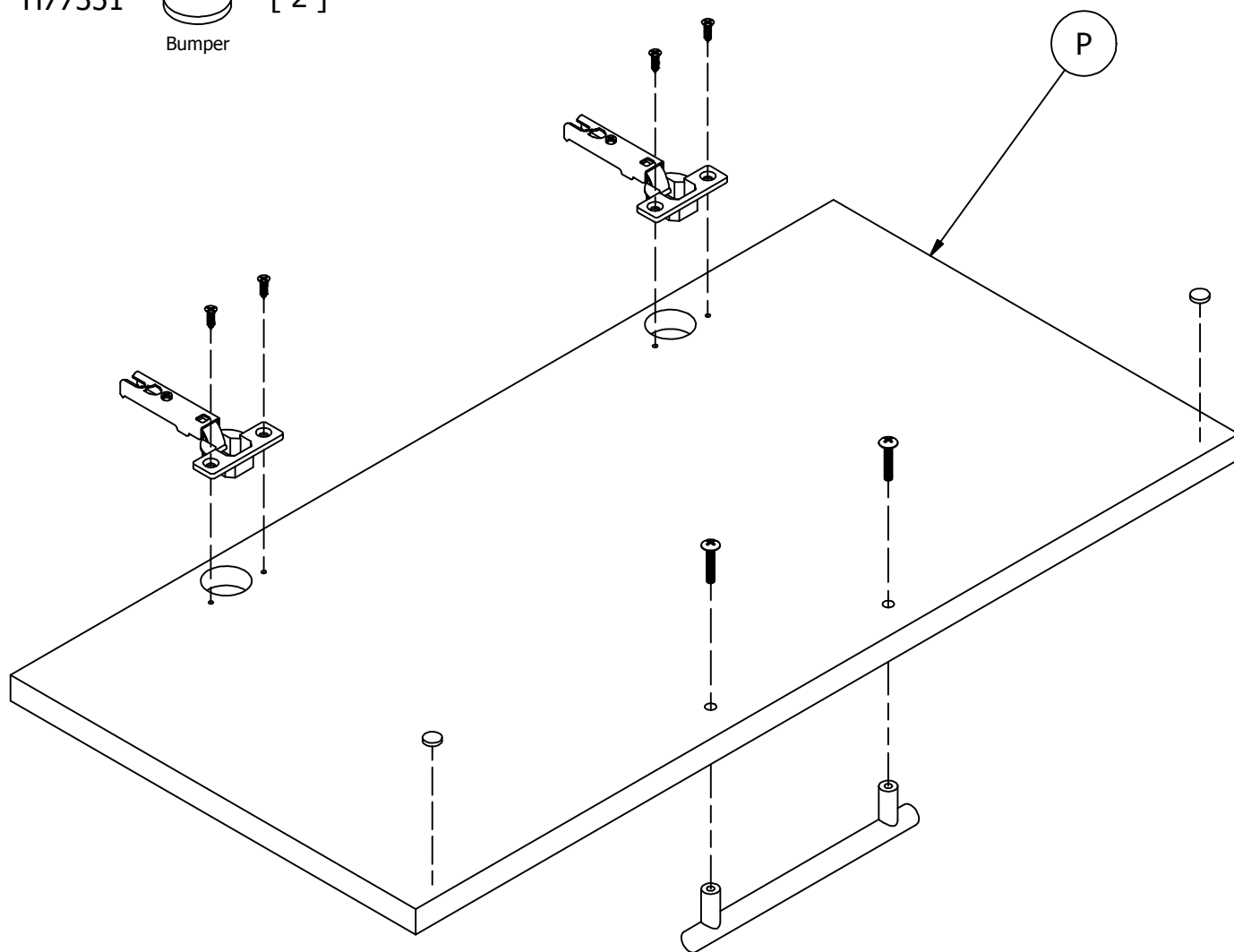
H23480  [2]
#8-32 x 7/8"

H126359  [2]
Hinge

H28917  [4]
#6 x 1/2" Silver

 [1]
Handle

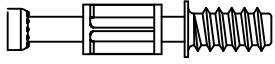
H77351  [2]
Bumper



STEP 7

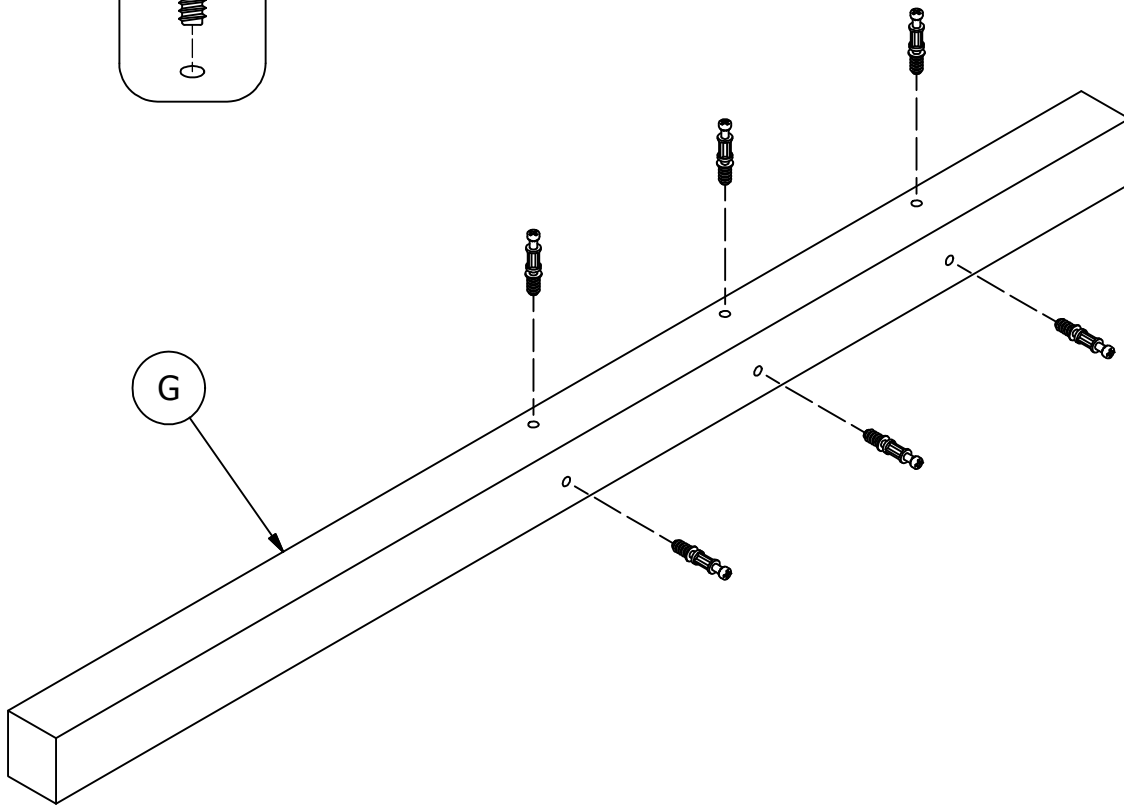
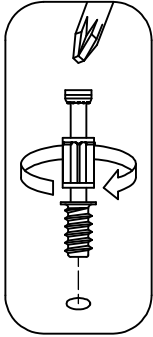
Prepare Rear Leg

H72988



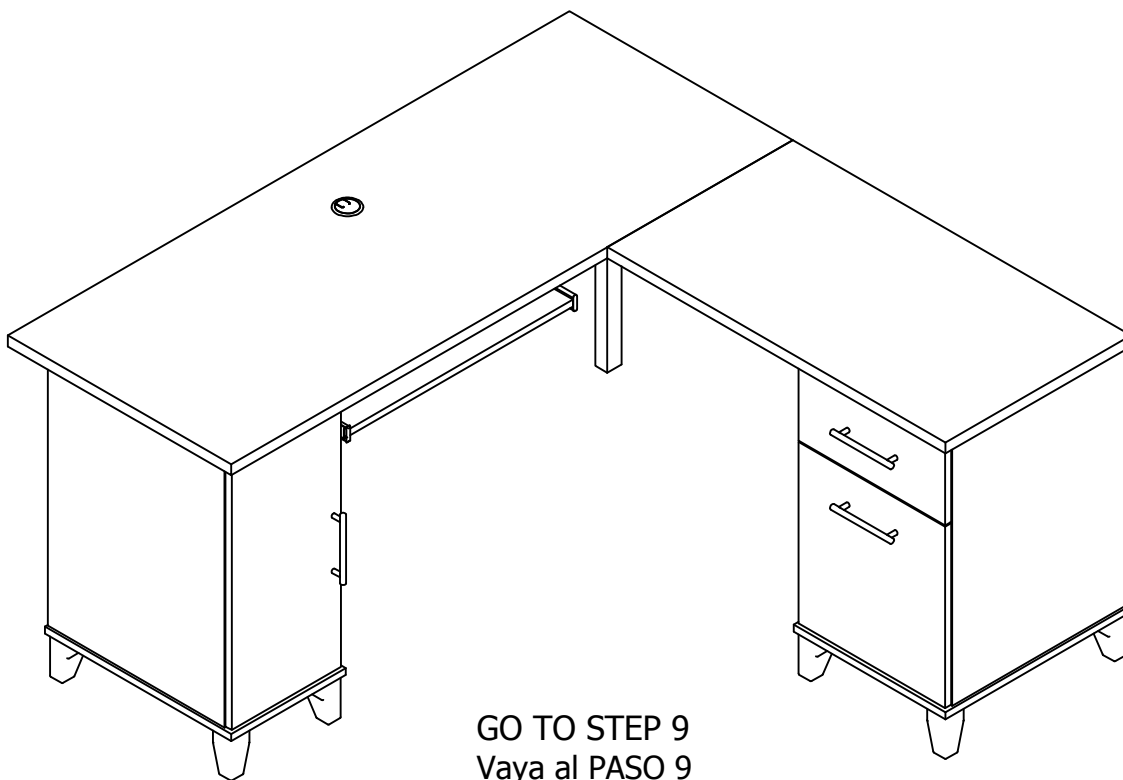
[6]

KD Bolt

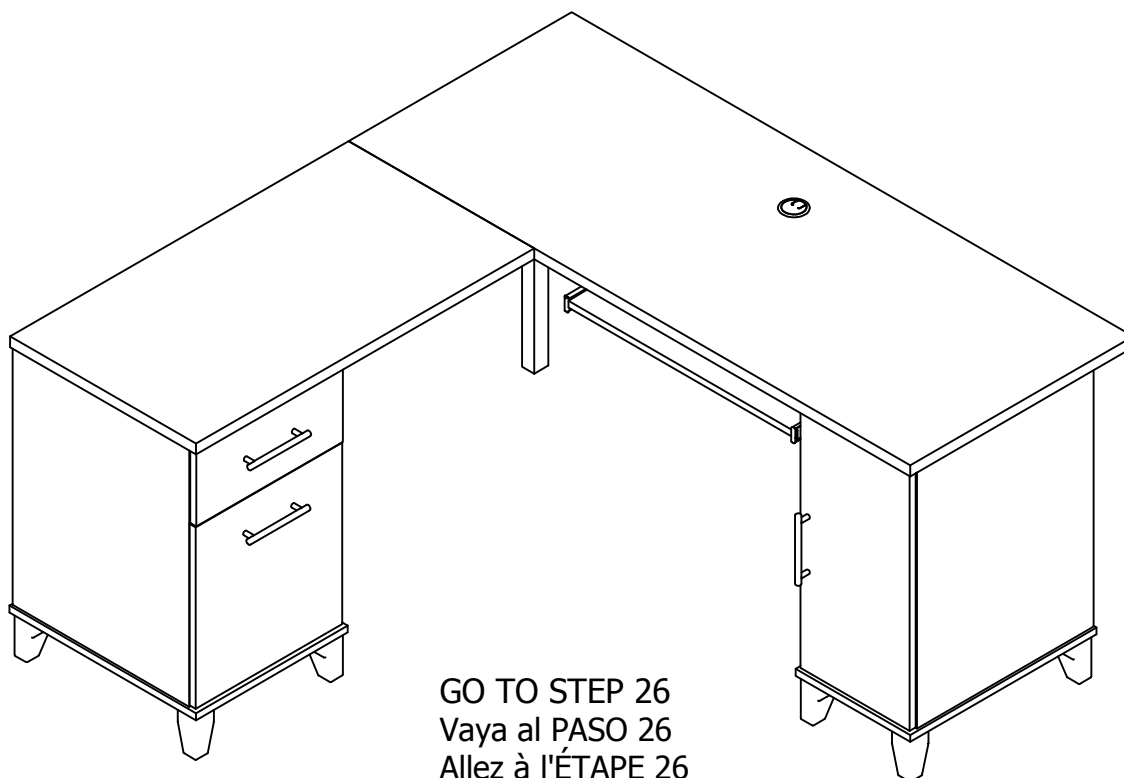


STEP 8

Assembly Options



GO TO STEP 9
Vaya al PASO 9
Allez à l'ÉTAPE 9



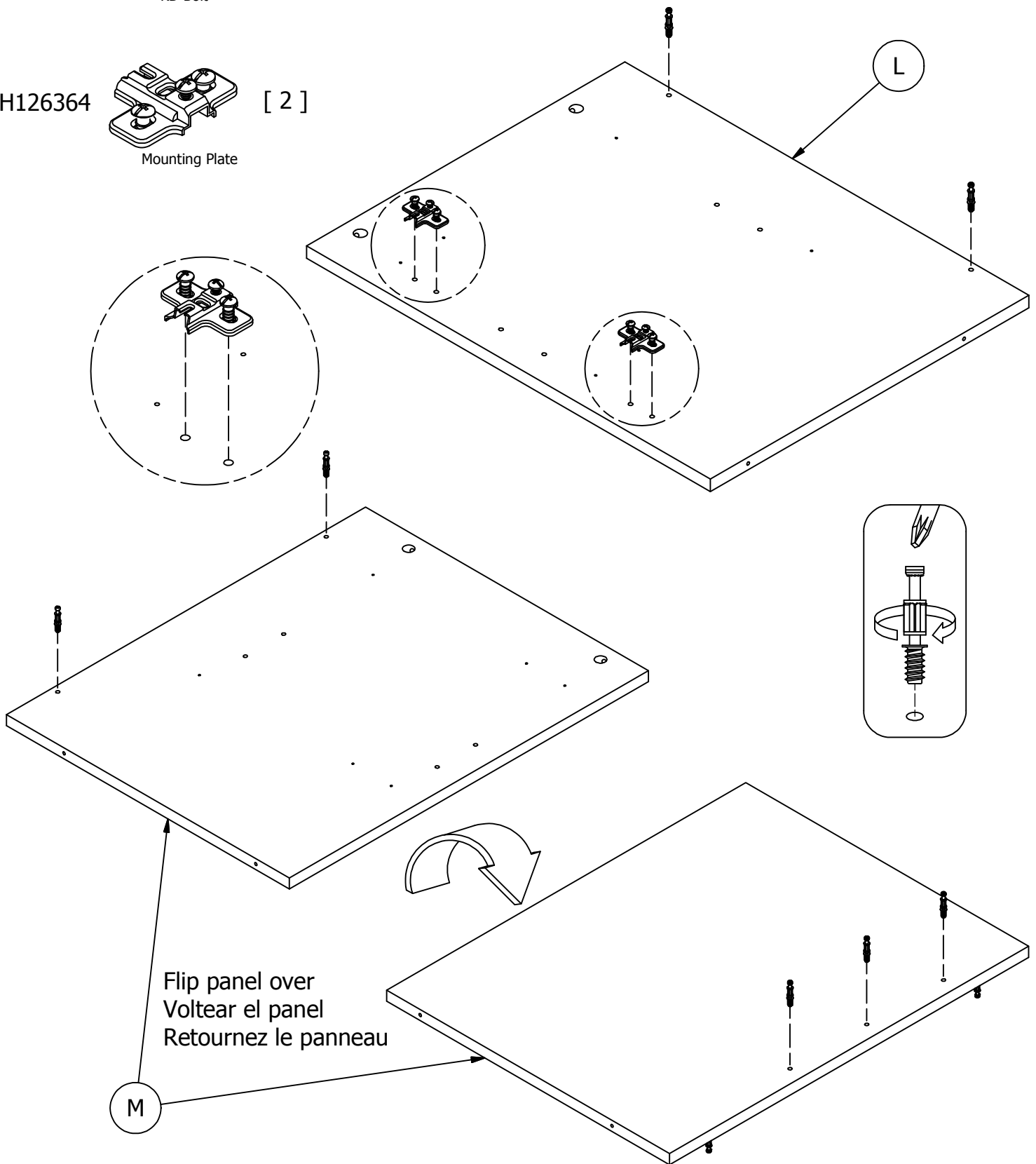
GO TO STEP 26
Vaya al PASO 26
Allez à l'ÉTAPE 26

STEP 9

Prepare Cabinet Sides

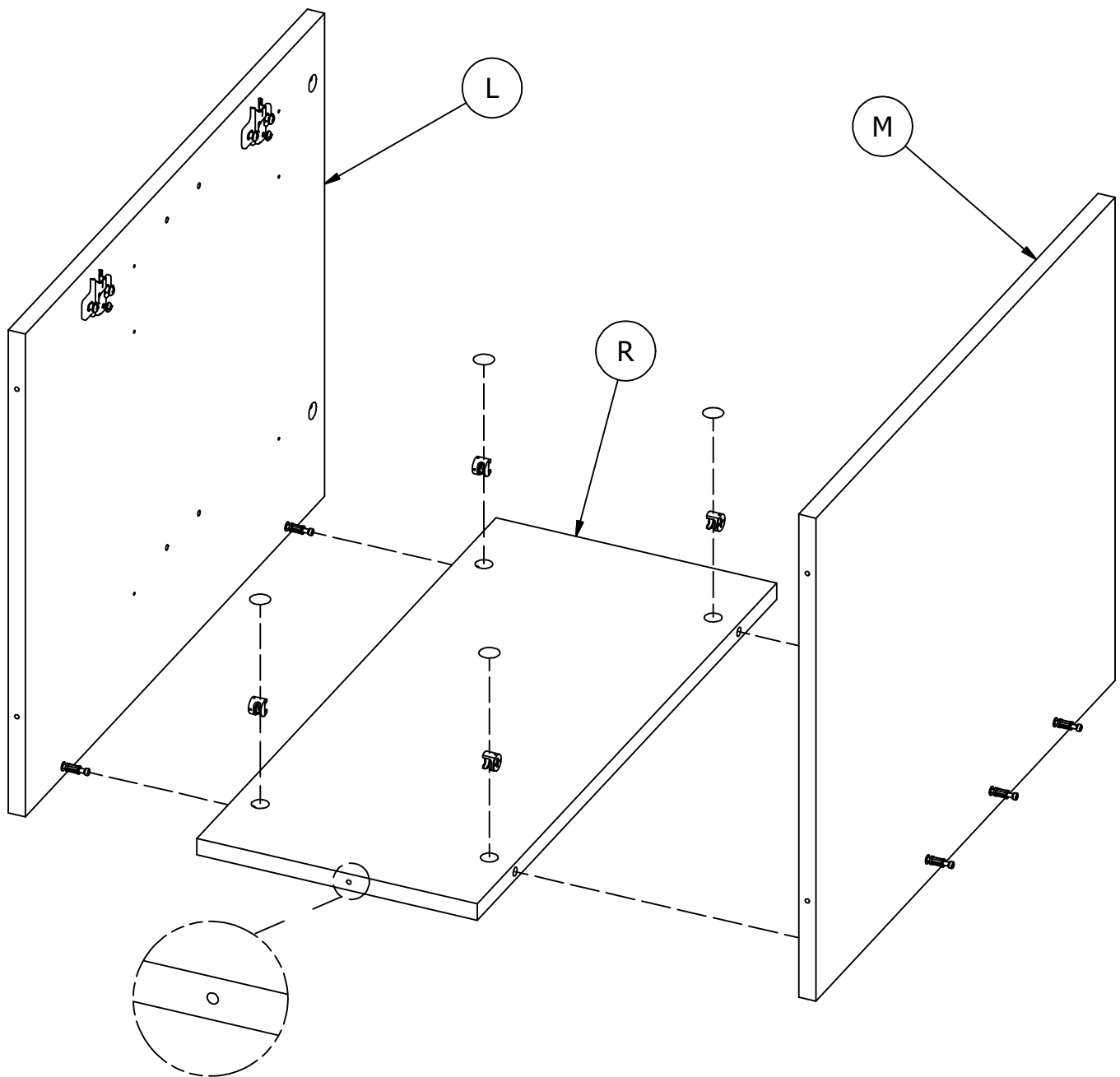
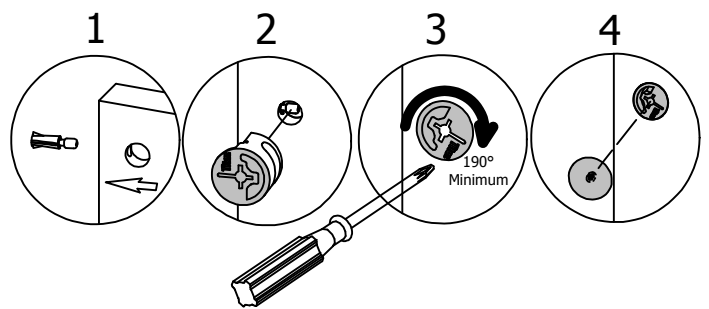
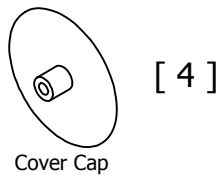
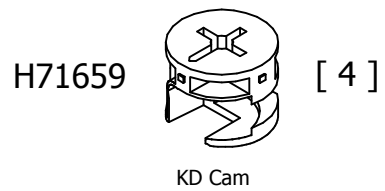
H72988 [7]
KD Bolt

H126364 [2]
Mounting Plate



STEP 10

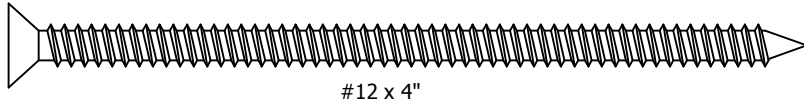
Assemble Cabinet



STEP 11

Assembly Cabinet Base

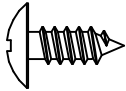
H143460



[4]

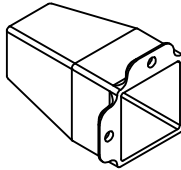
#12 x 4"

H35251



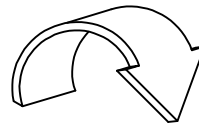
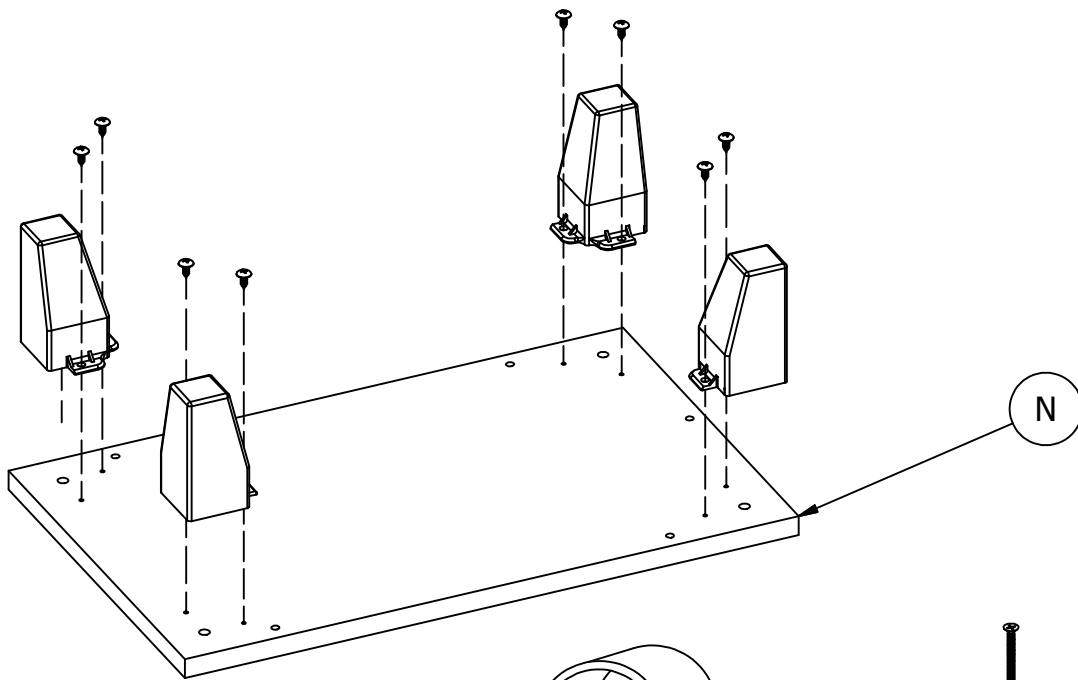
[8]

#10 x 1/2"

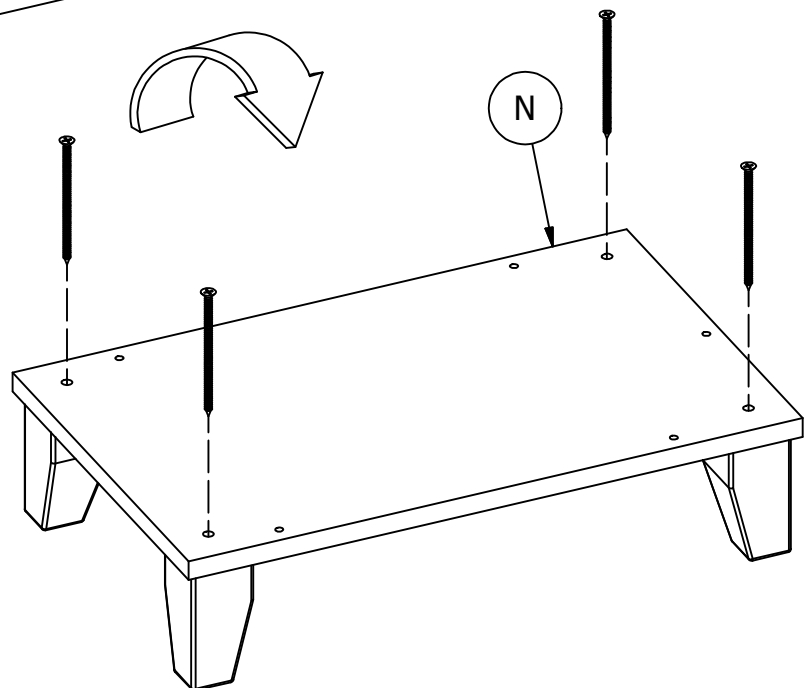


[4]

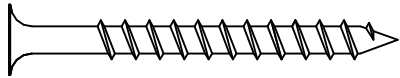
Foot



Flip panel over
Voltear el panel
Retournez le panneau

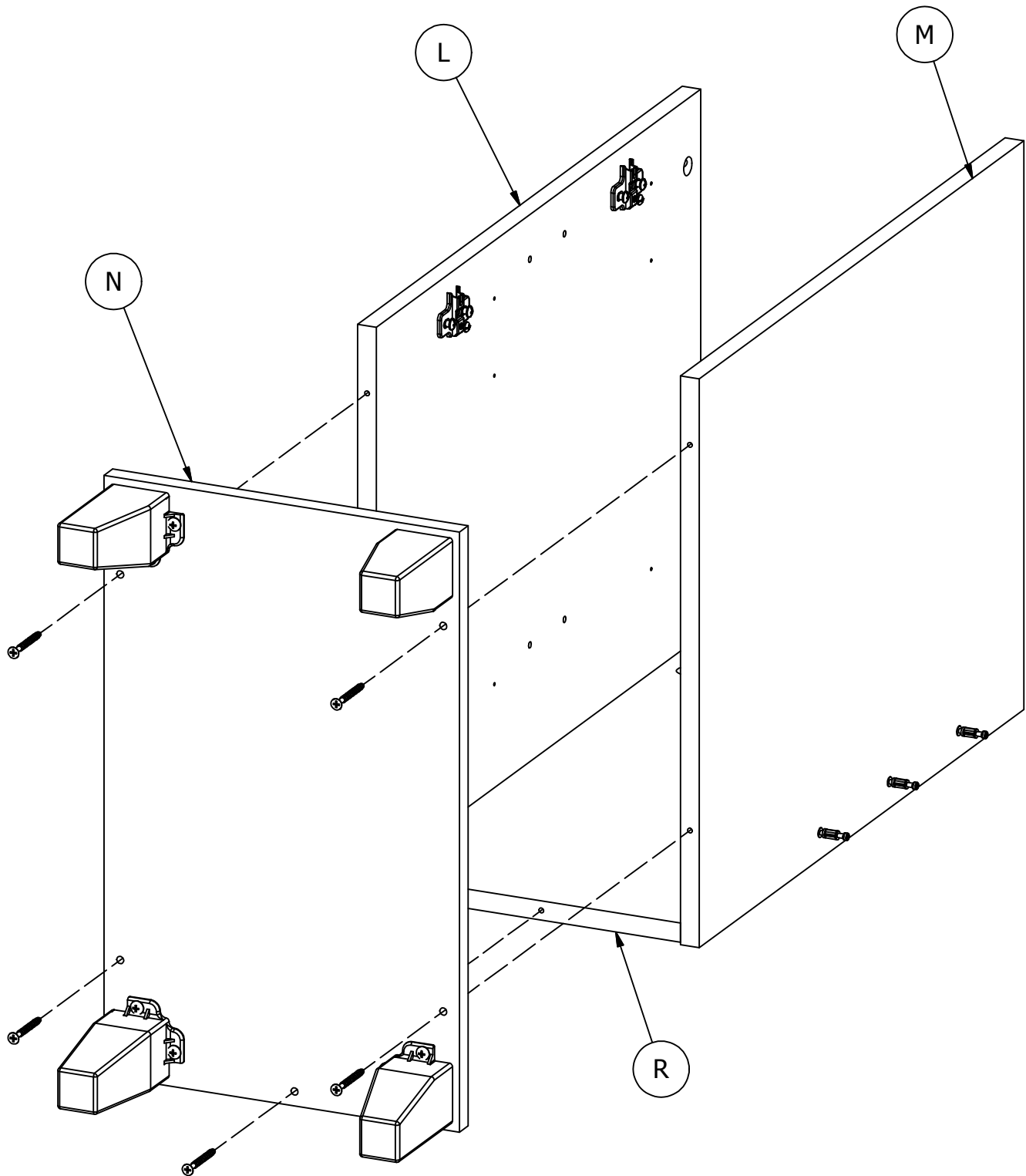


H23491



[5]


#10 x 2"




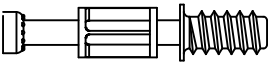
STEP 13

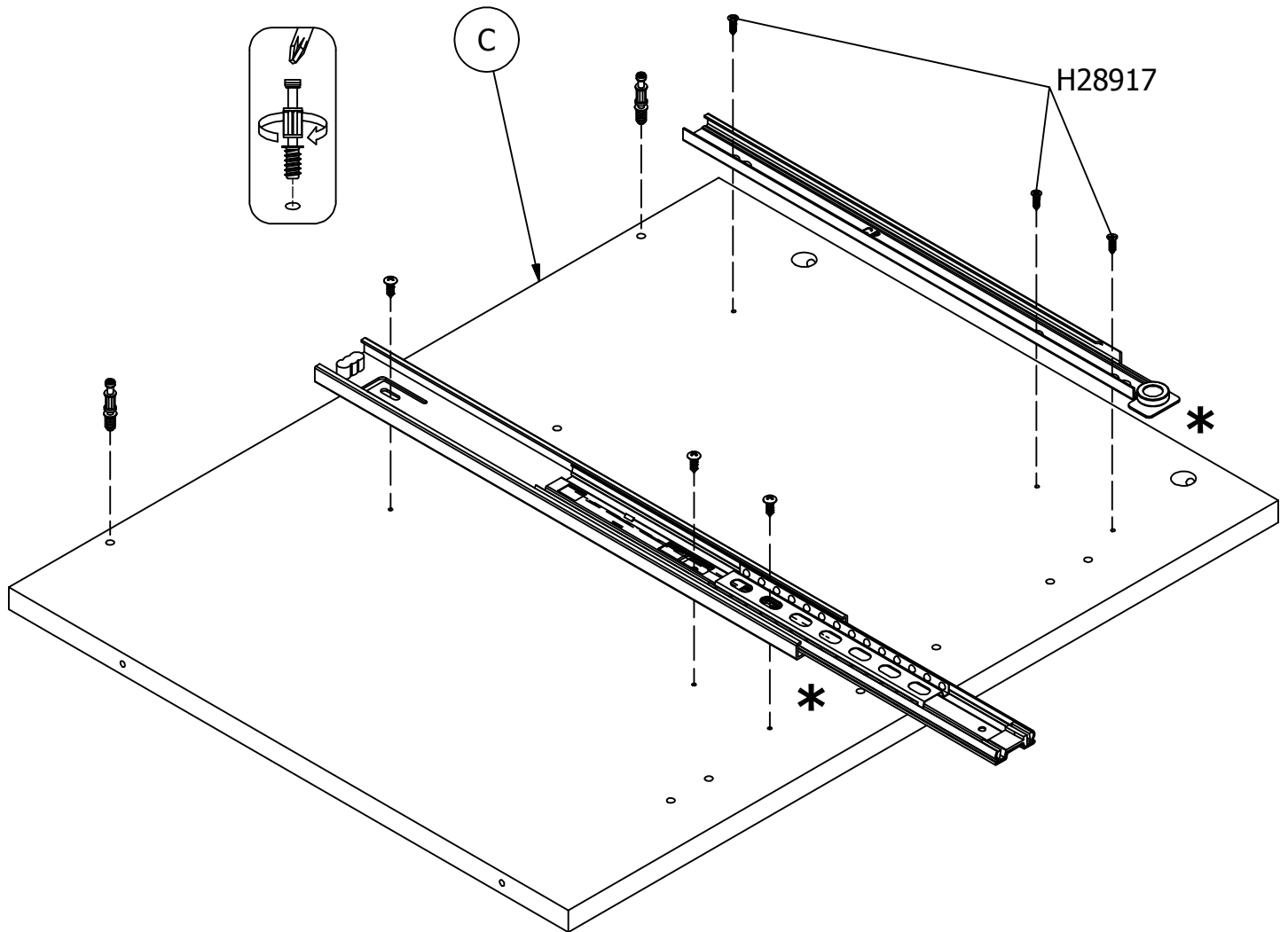
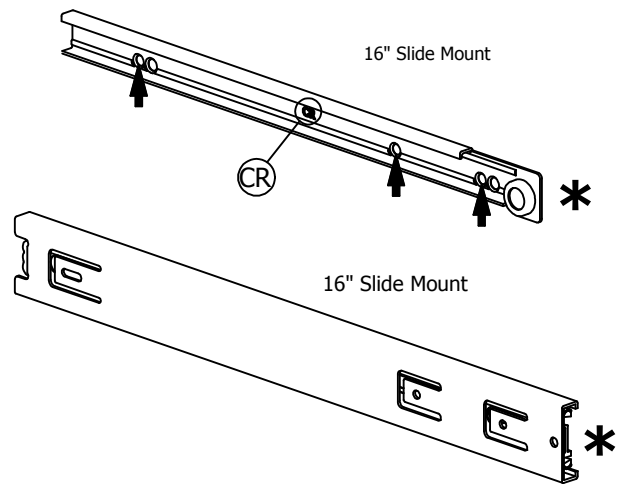
Prepare Cabinet Sides

A187451G

H28917  [3]
#6 x 1/2" Silver


H101725  [3]
#6 x 1/2"


H72988  [2]
KD Bolt

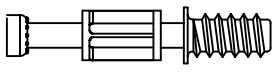


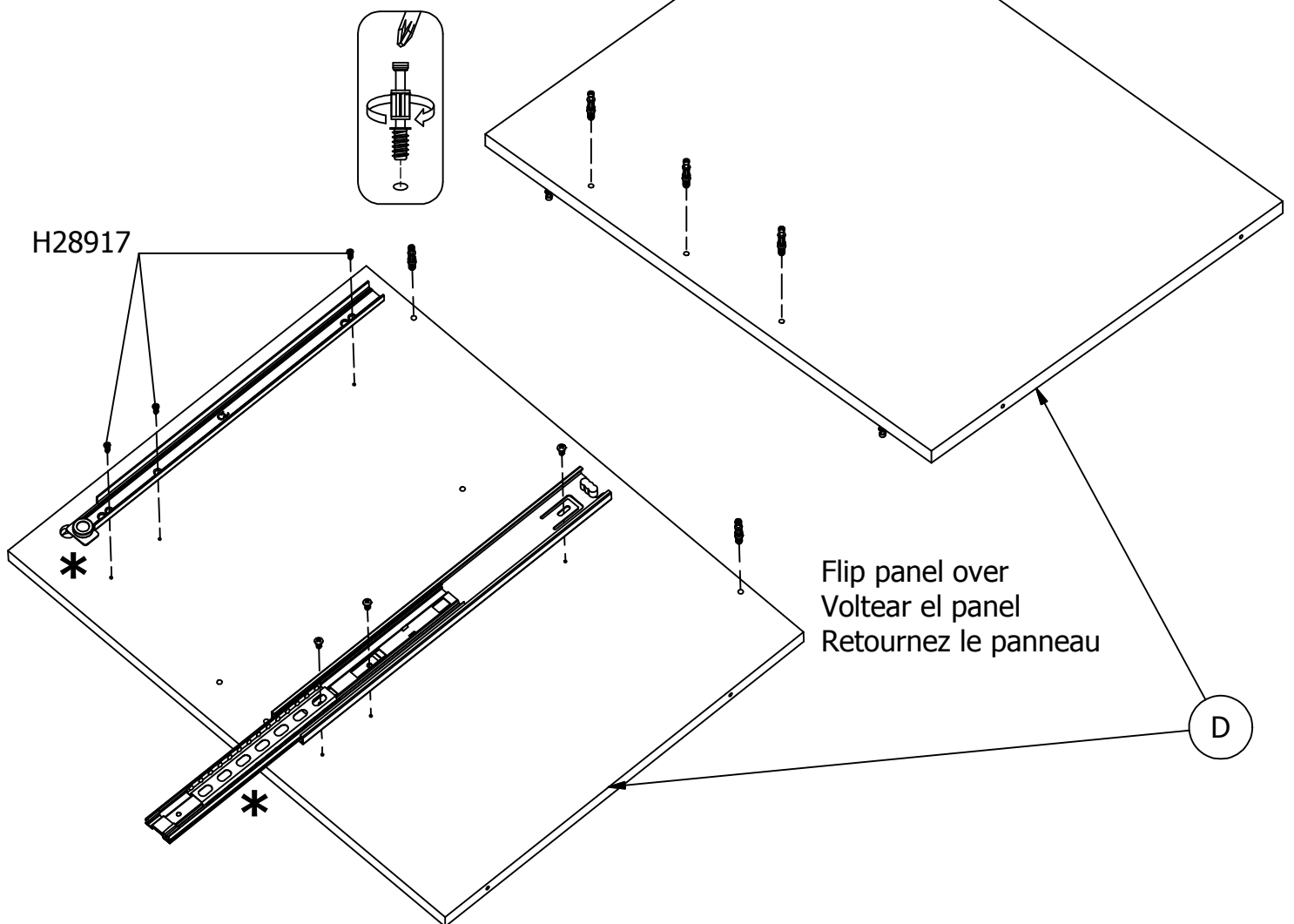
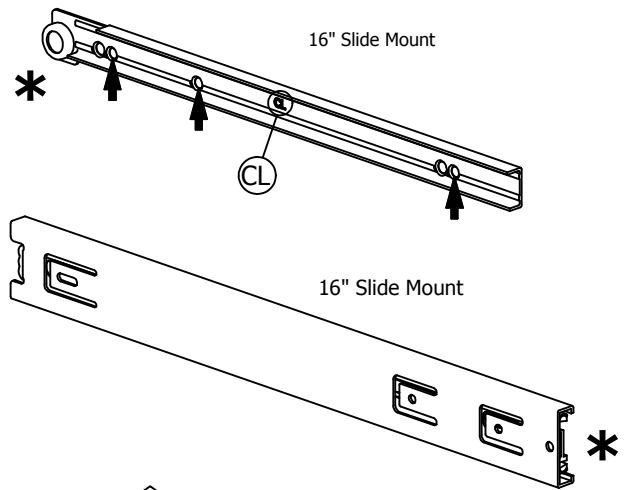
STEP 14

Prepare Cabinet Sides

H28917  [3]
#6 x 1/2" Silver

H101725  [3]
#6 x 1/2"

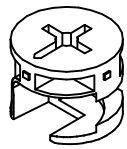
H72988  [5]
KD Bolt



STEP 15

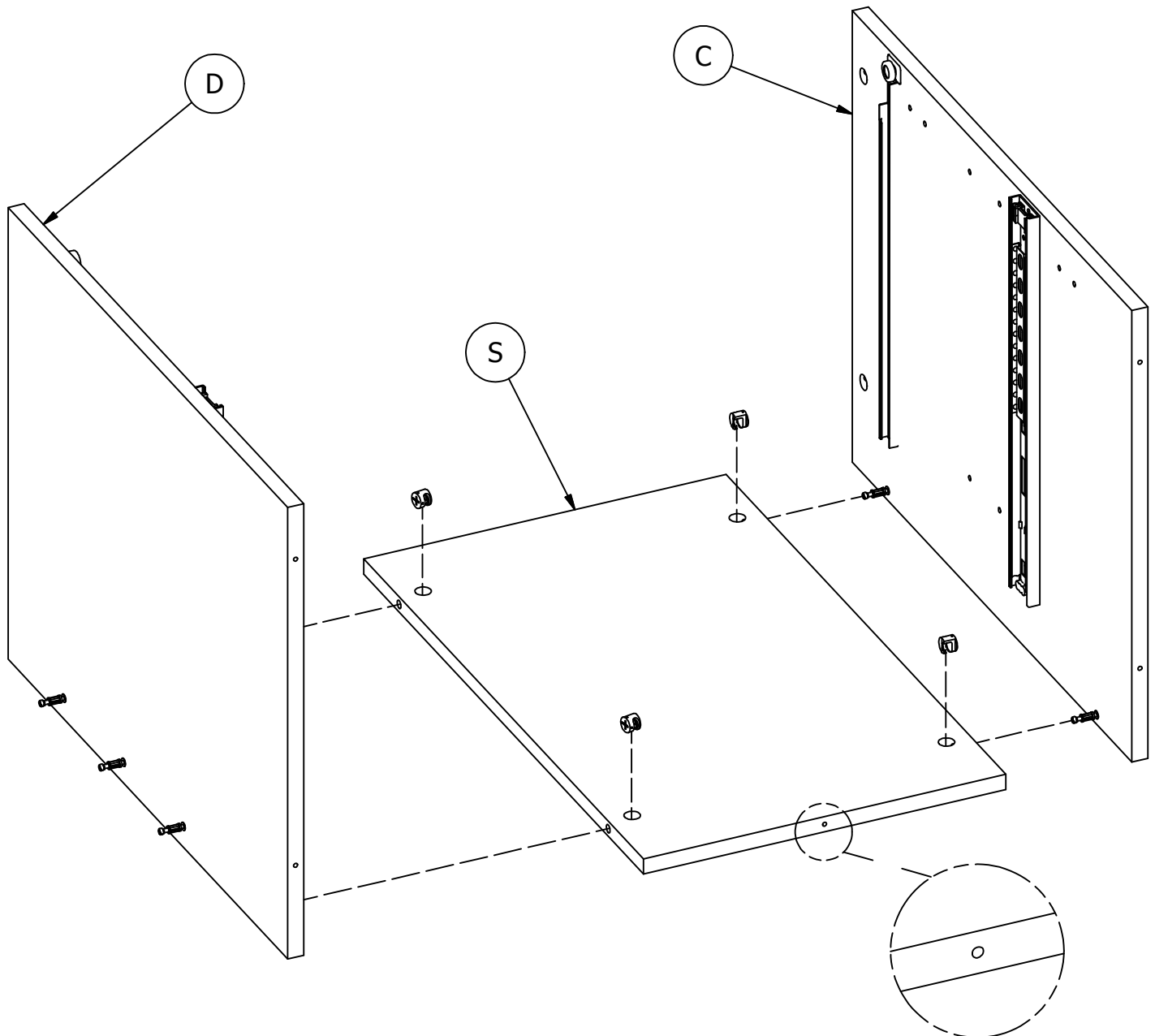
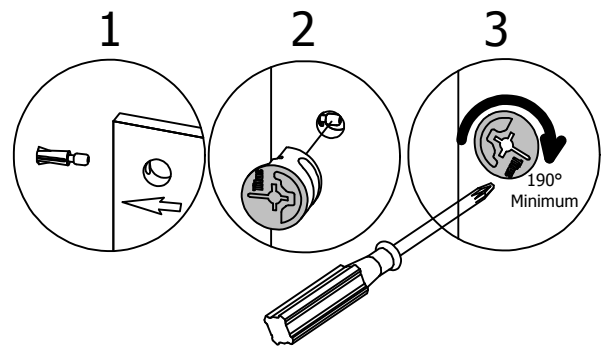
Assemble Pedestal

H71659



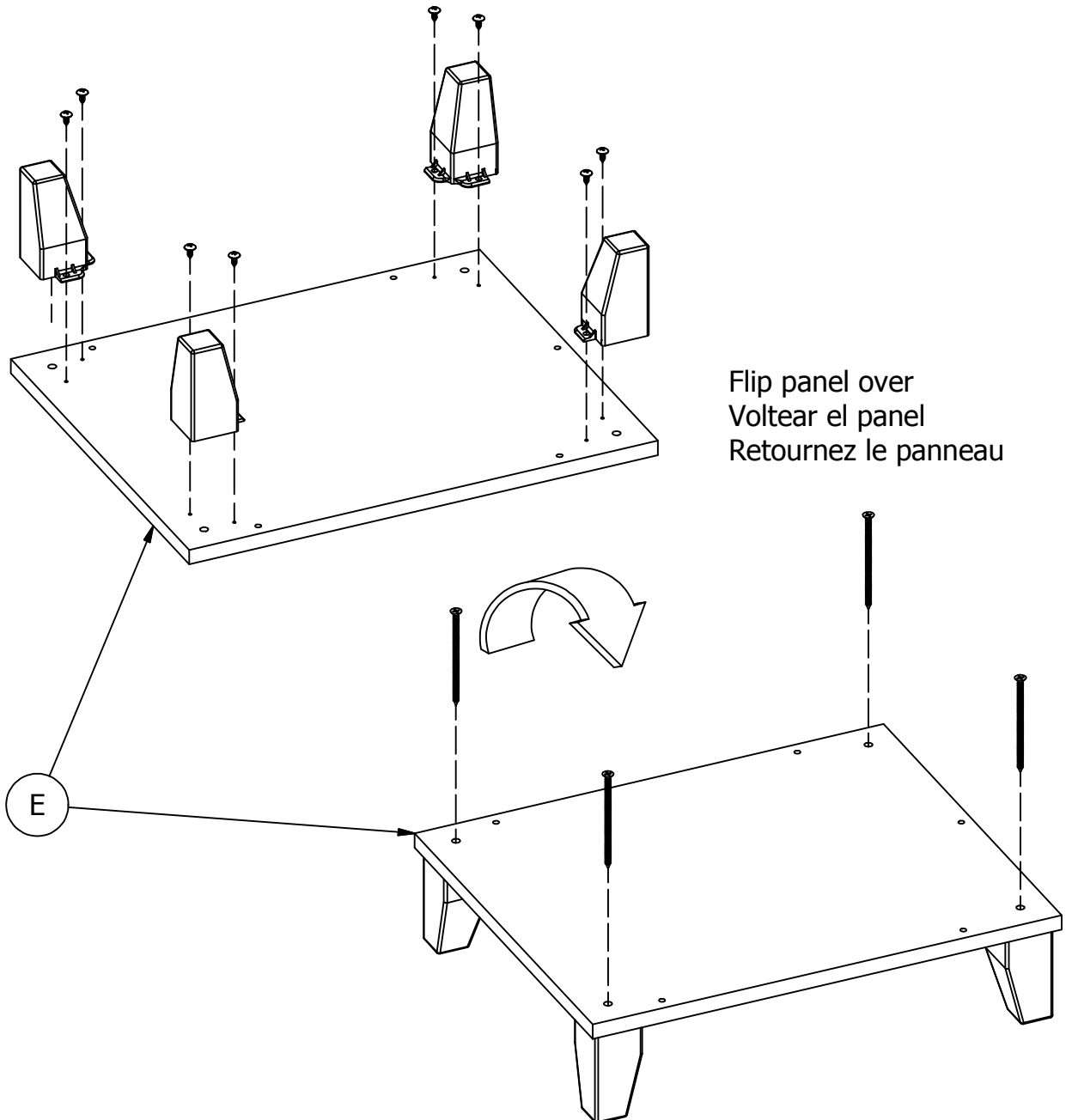
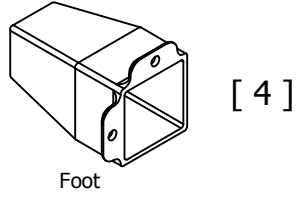
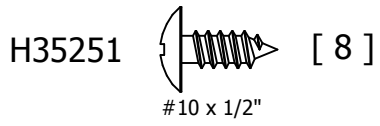
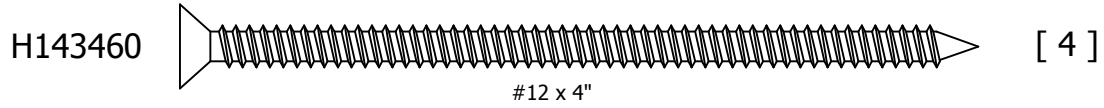
[4]

KD Cam



STEP 16

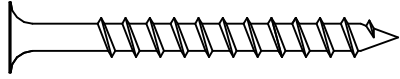
Prepare Cabinet Base



STEP 17

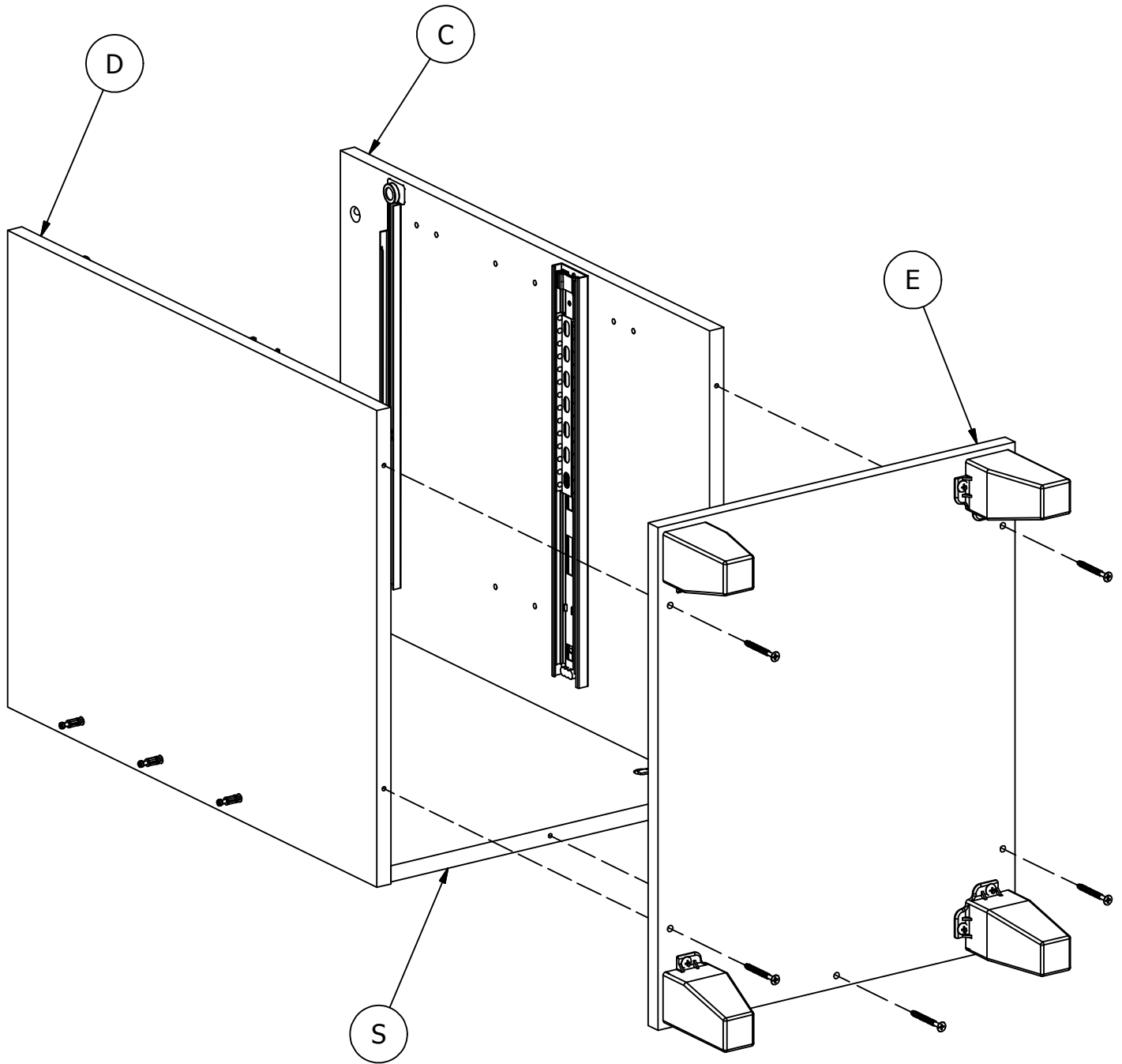
Assemble Cabinet

H23491



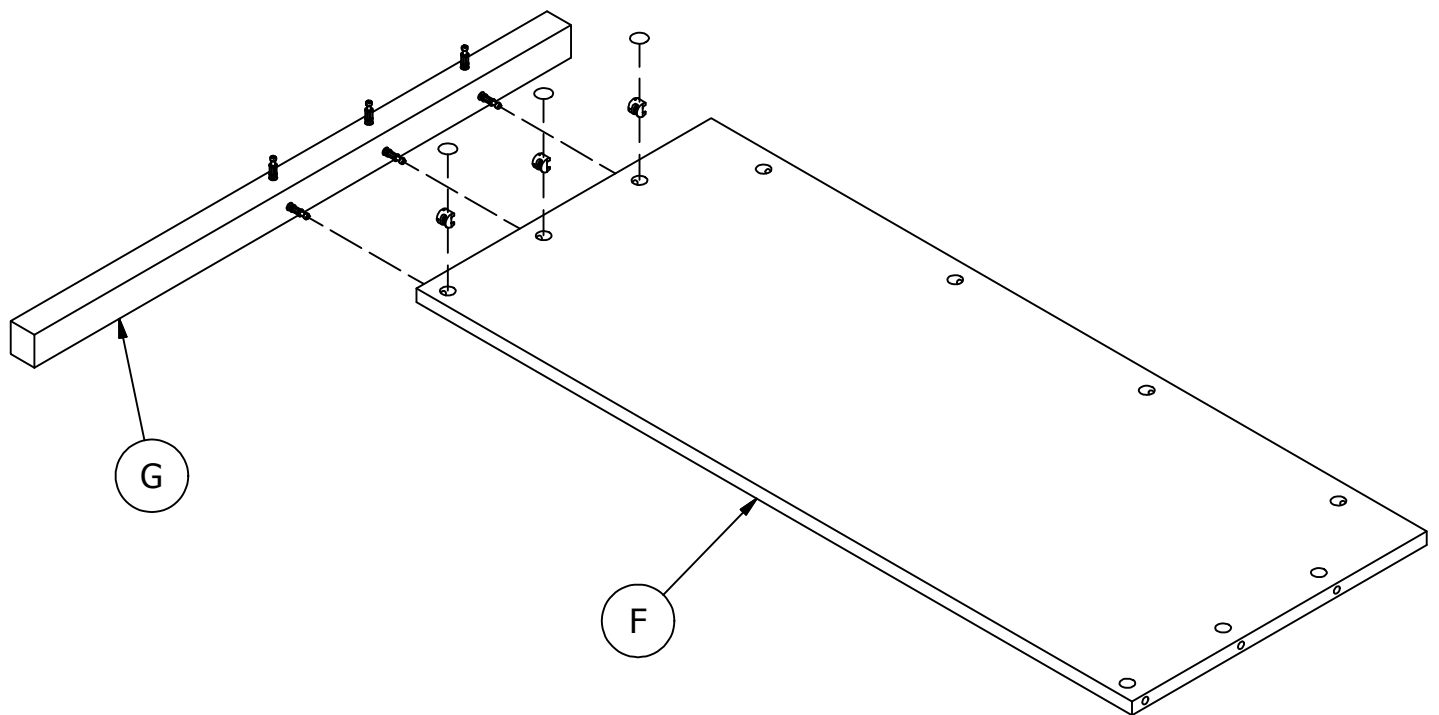
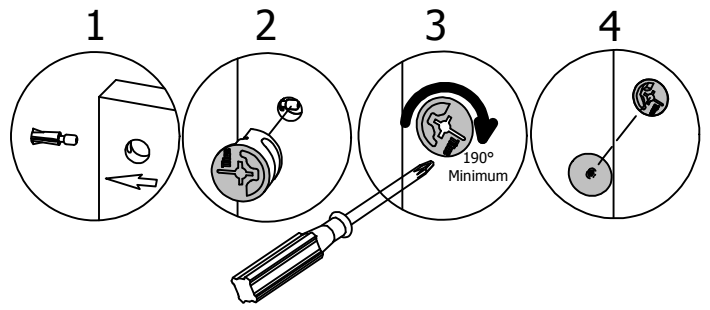
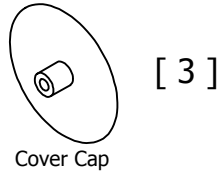
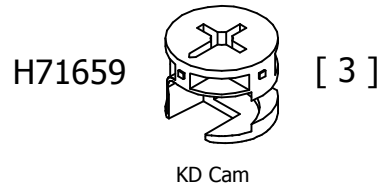
[5]

#10 x 2"



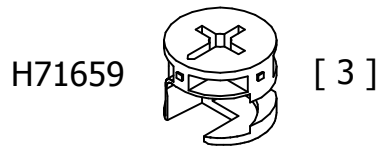
STEP 18

Assemble Modesty Panel

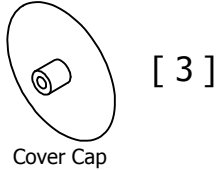


STEP 19

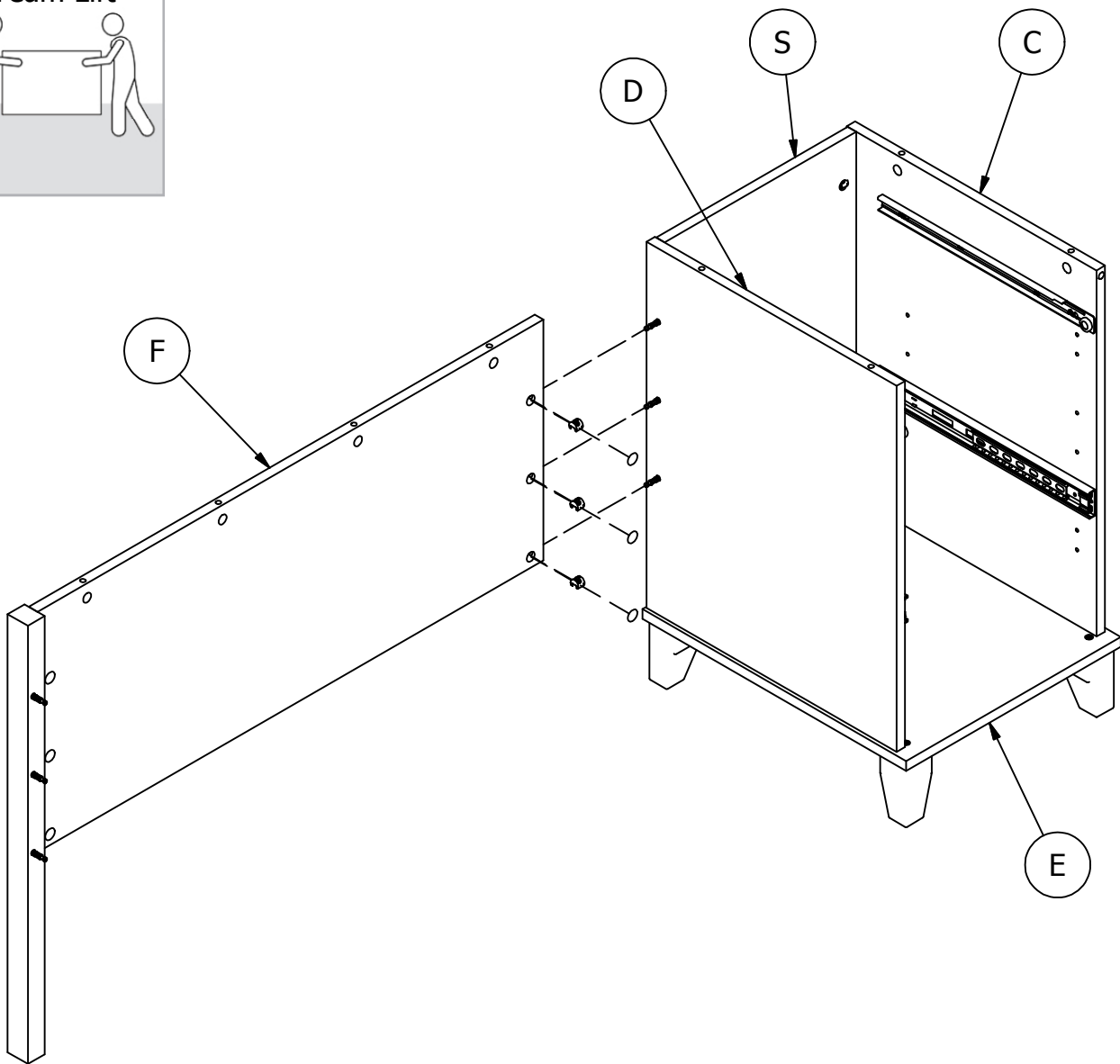
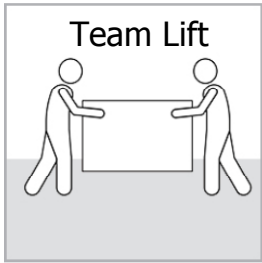
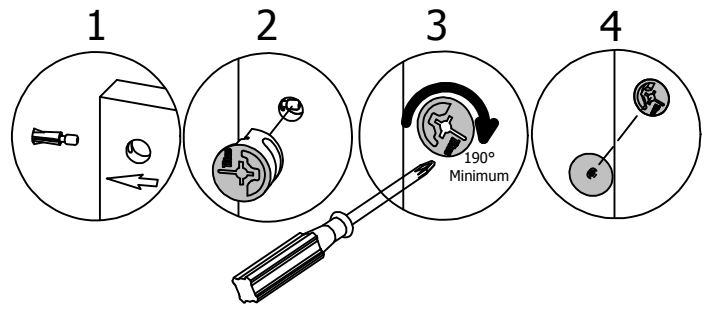
Assemble Modesty Panel to Cabinet



KD Cam

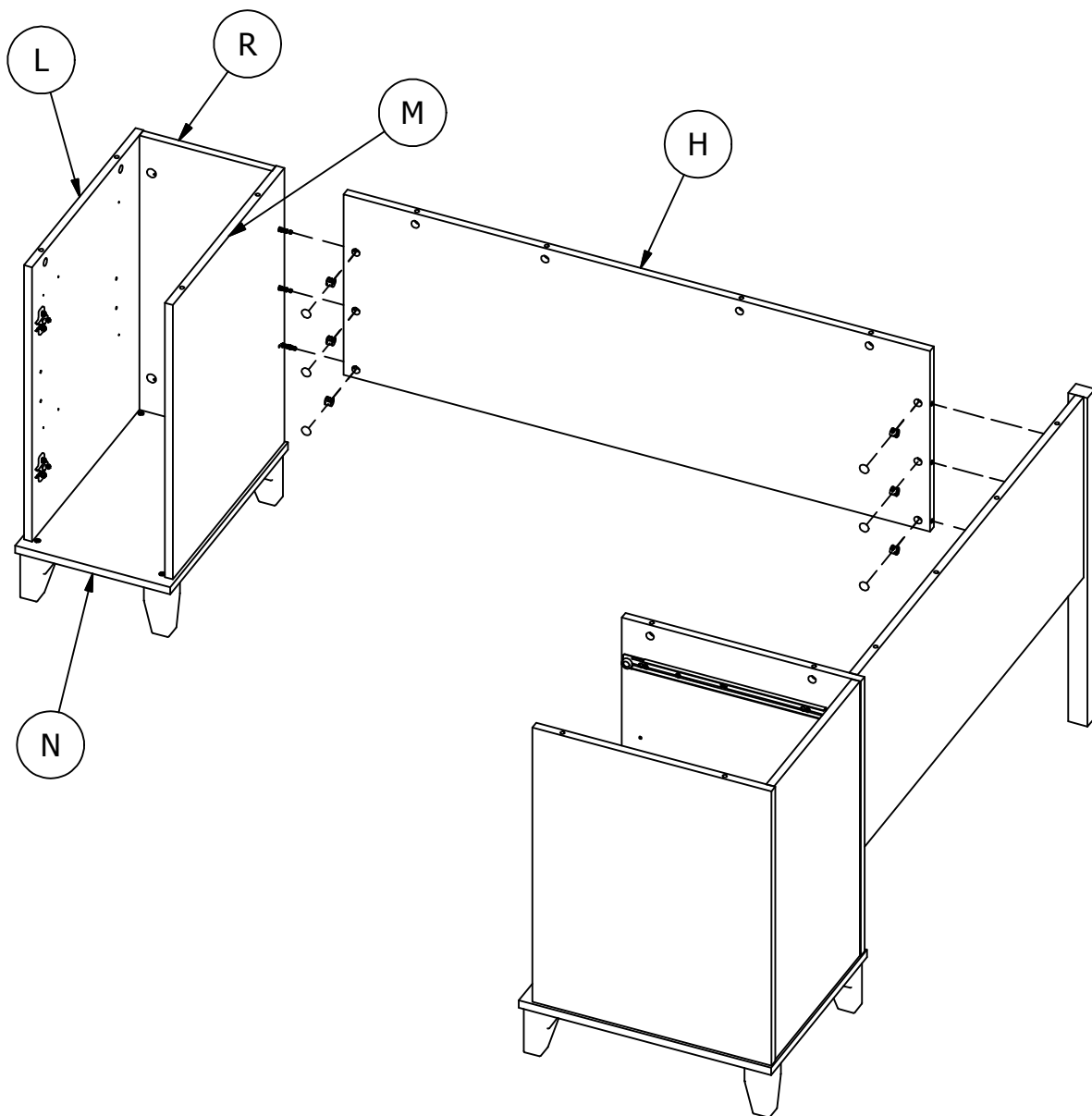
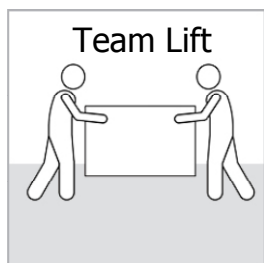
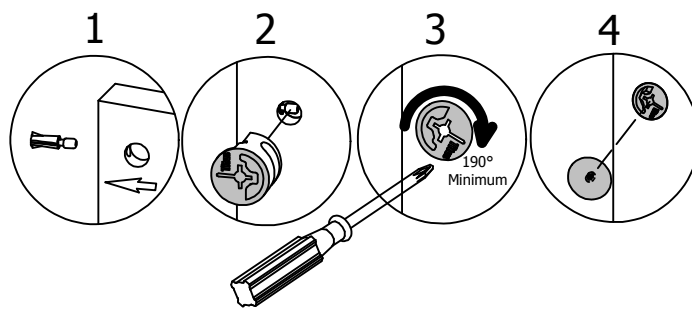
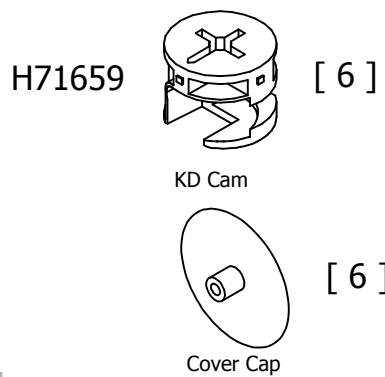


Cover Cap




STEP 20

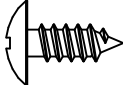
Assemble Modesty Panel to Cabinet

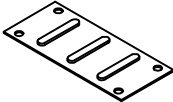


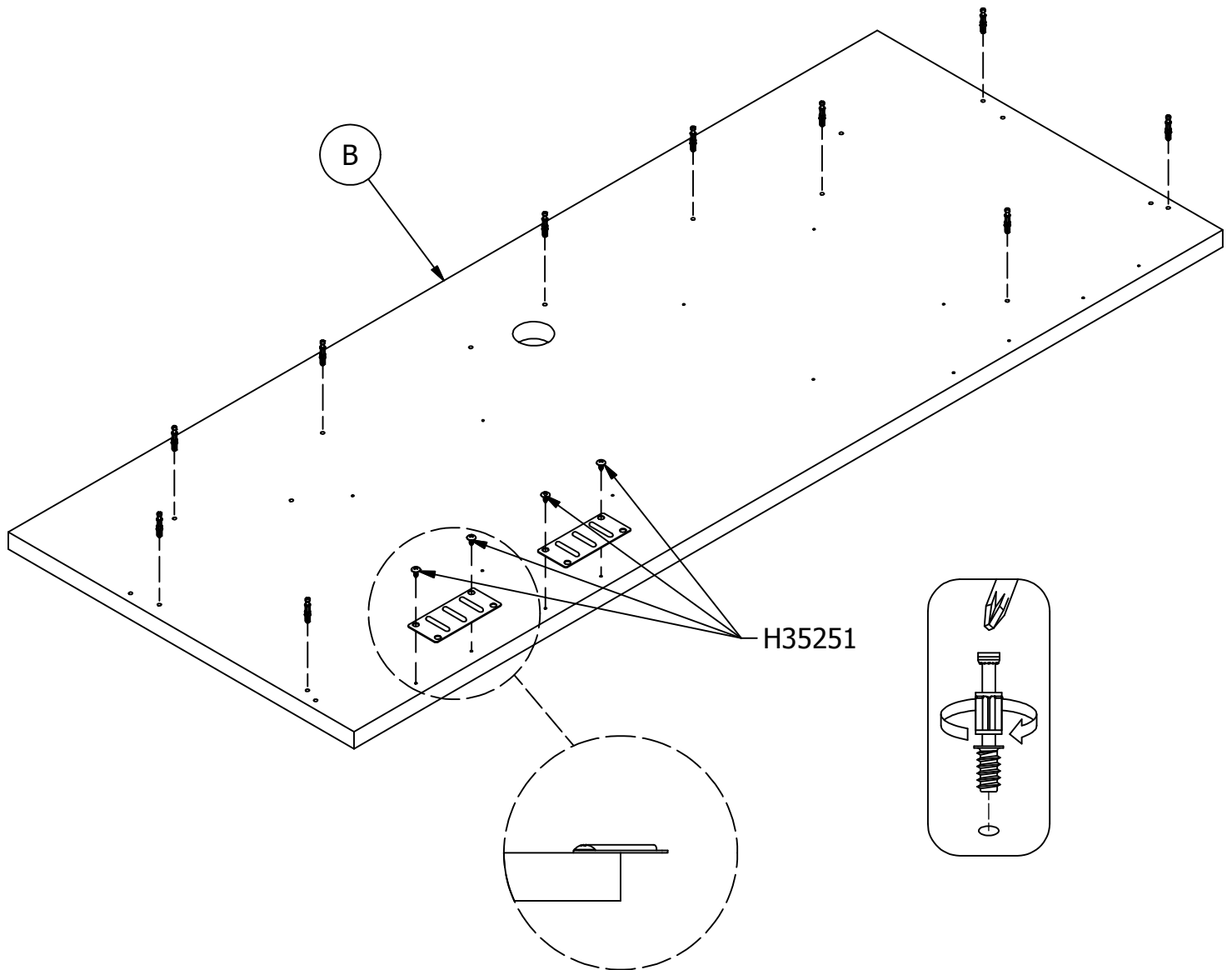
STEP 21

Prepare Work Surface

H72988  [10]
KD Bolt

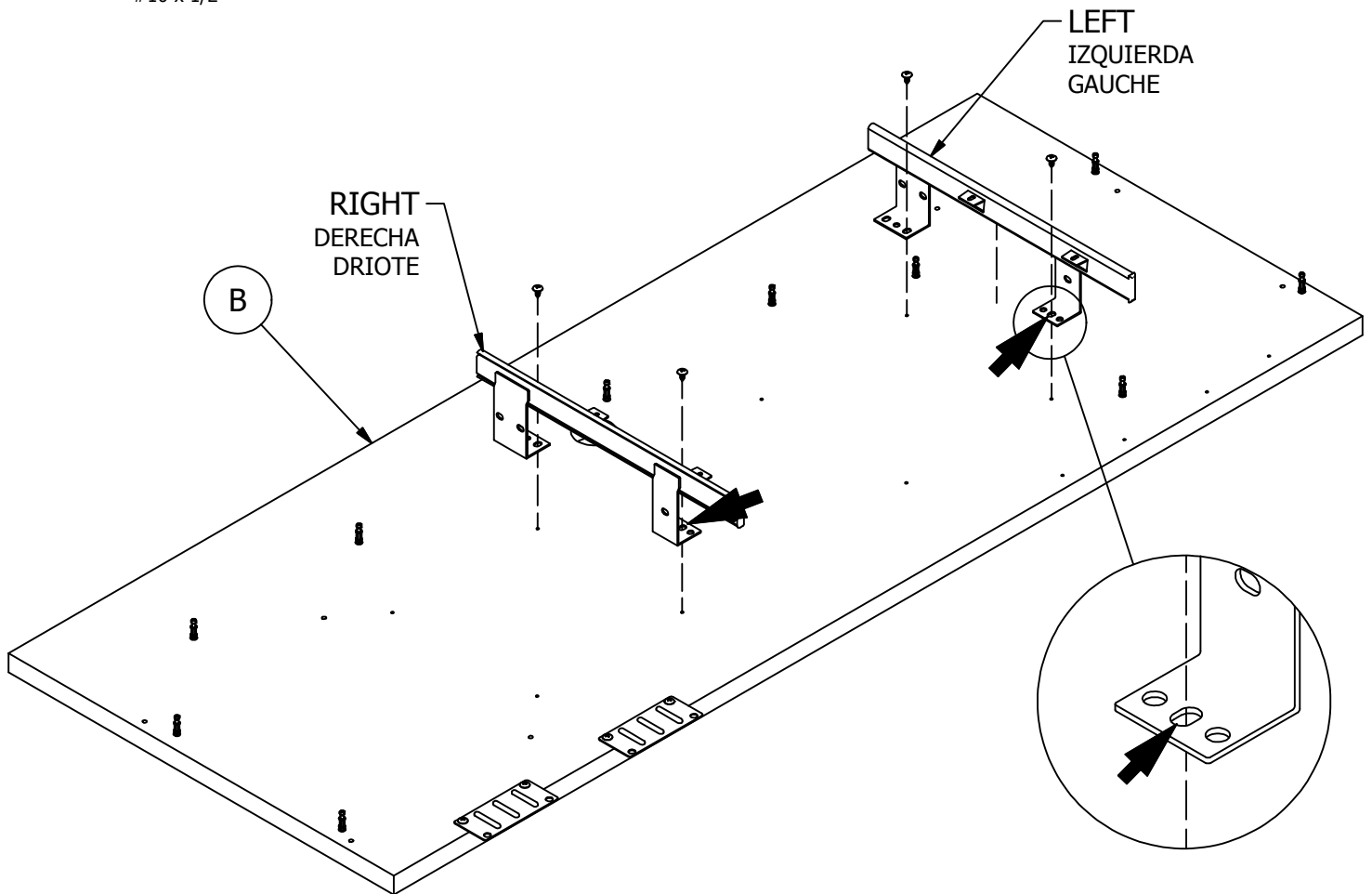
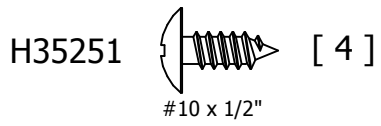
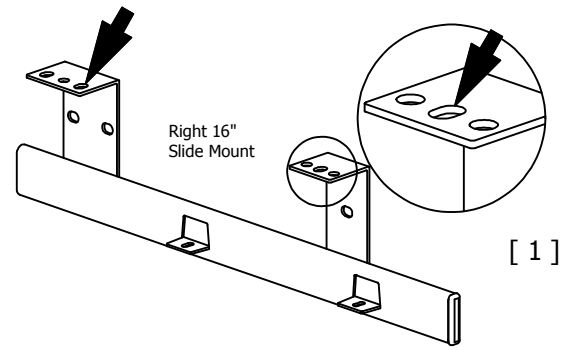
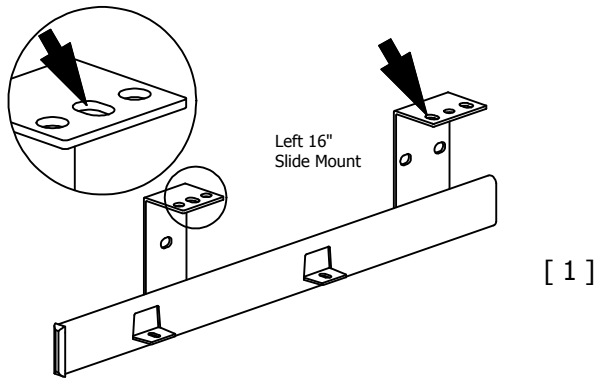
H35251  [4]
#10 x 1/2"

H39922  [2]
Strap



STEP 22

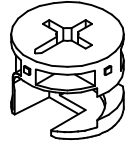
Assemble Keyboard Slides



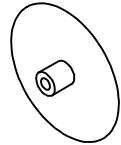
STEP 23

Assemble Work Surface

H71659 [10]
KD Cam

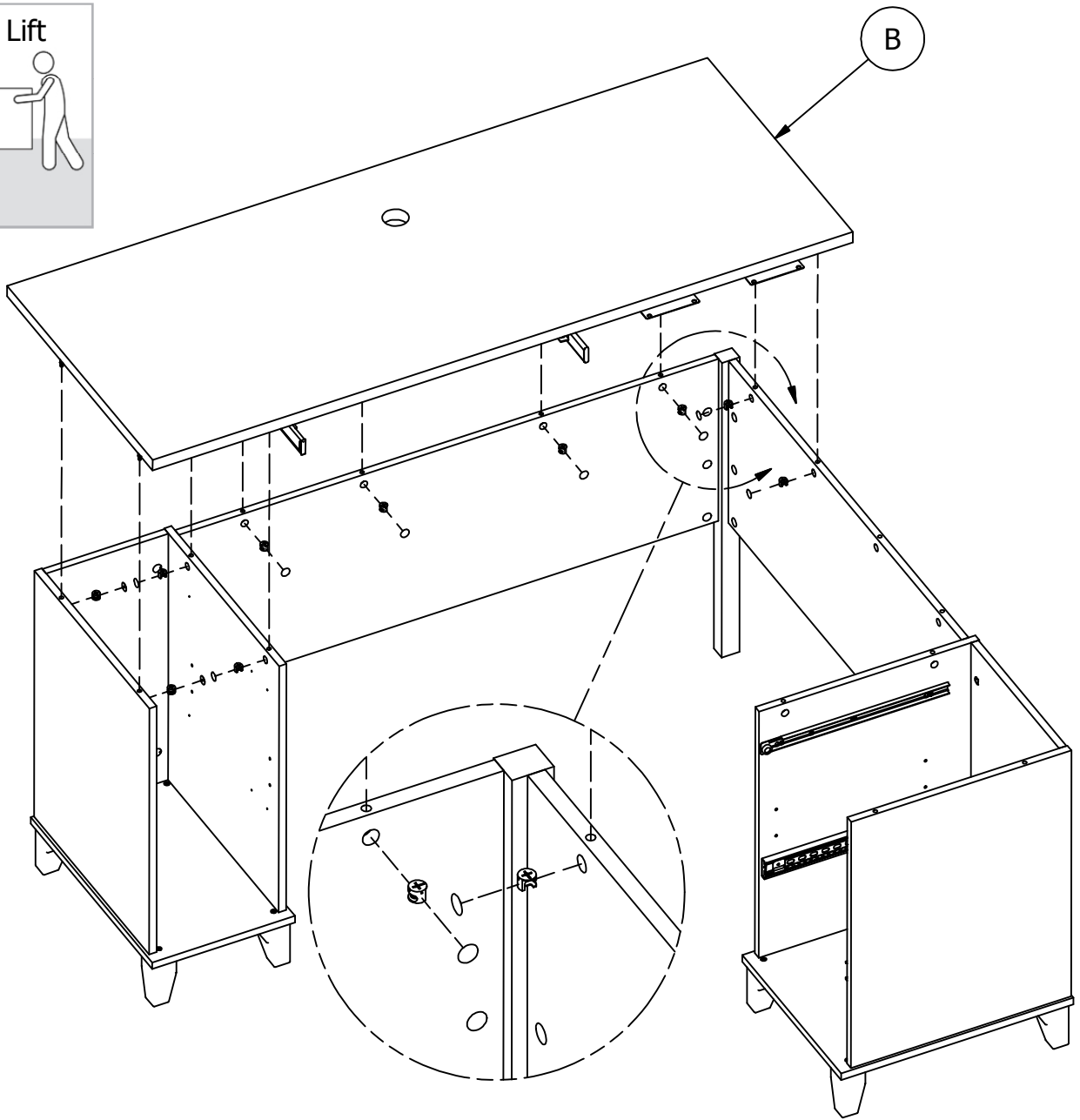
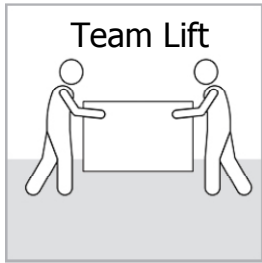
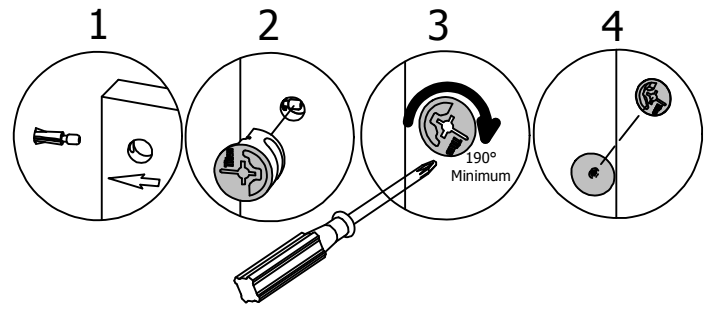


KD Cam



Cover Cap

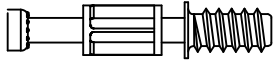
[10]



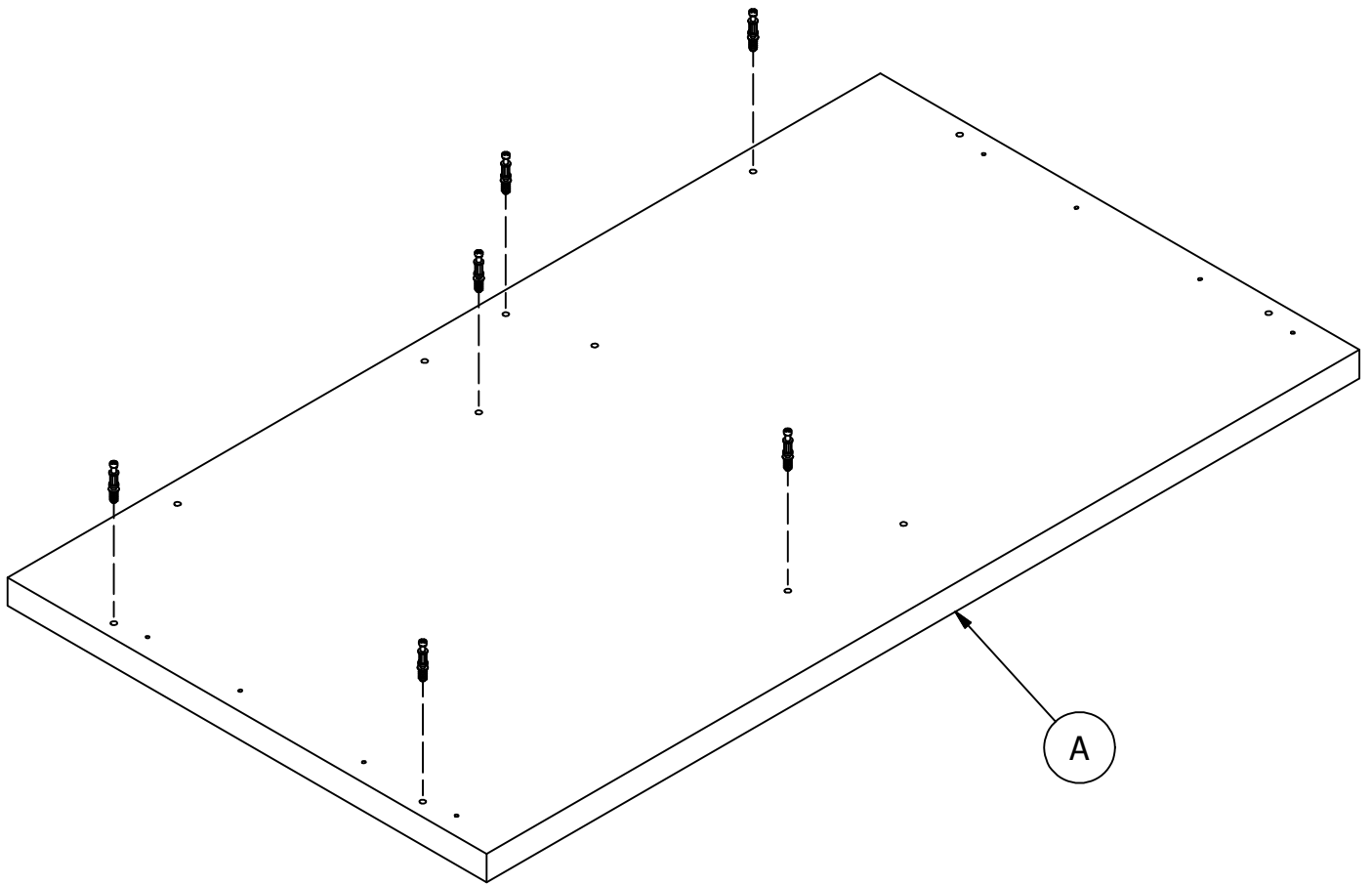
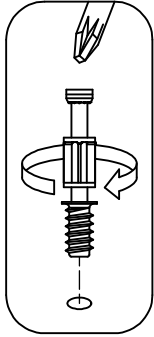
STEP 24

Prepare Work Surface

H72988 [6]



KD Bolt



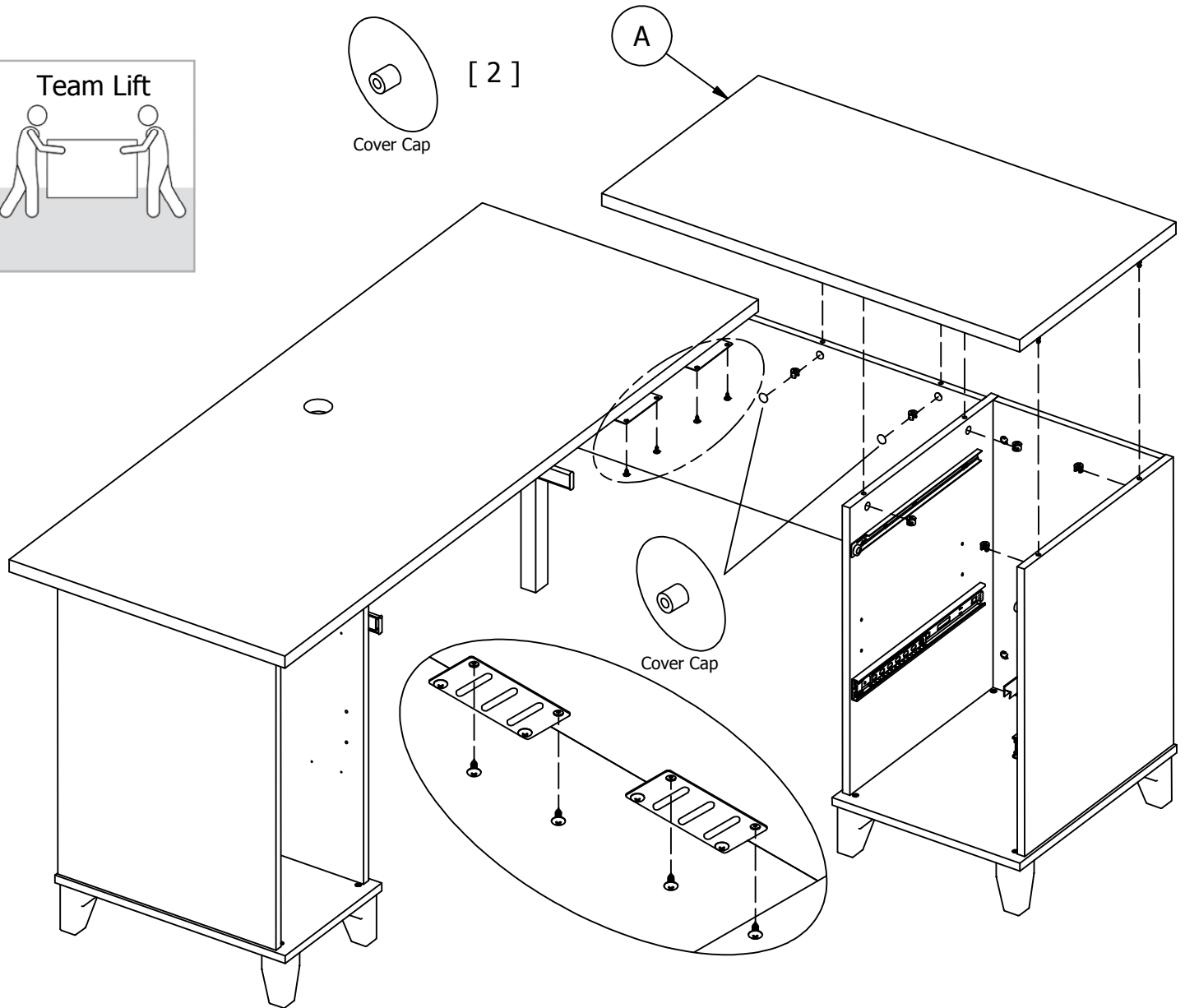
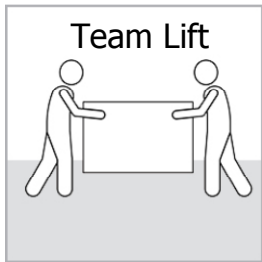
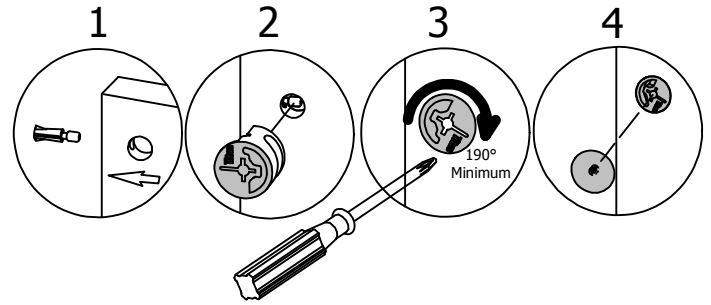
STEP 25

Assemble Work Surface

H71659 [6]
KD Cam

H35251 [4]
#10 x 1/2"

[2]
Cover Cap



Go to Step 43 to finish Assembly.

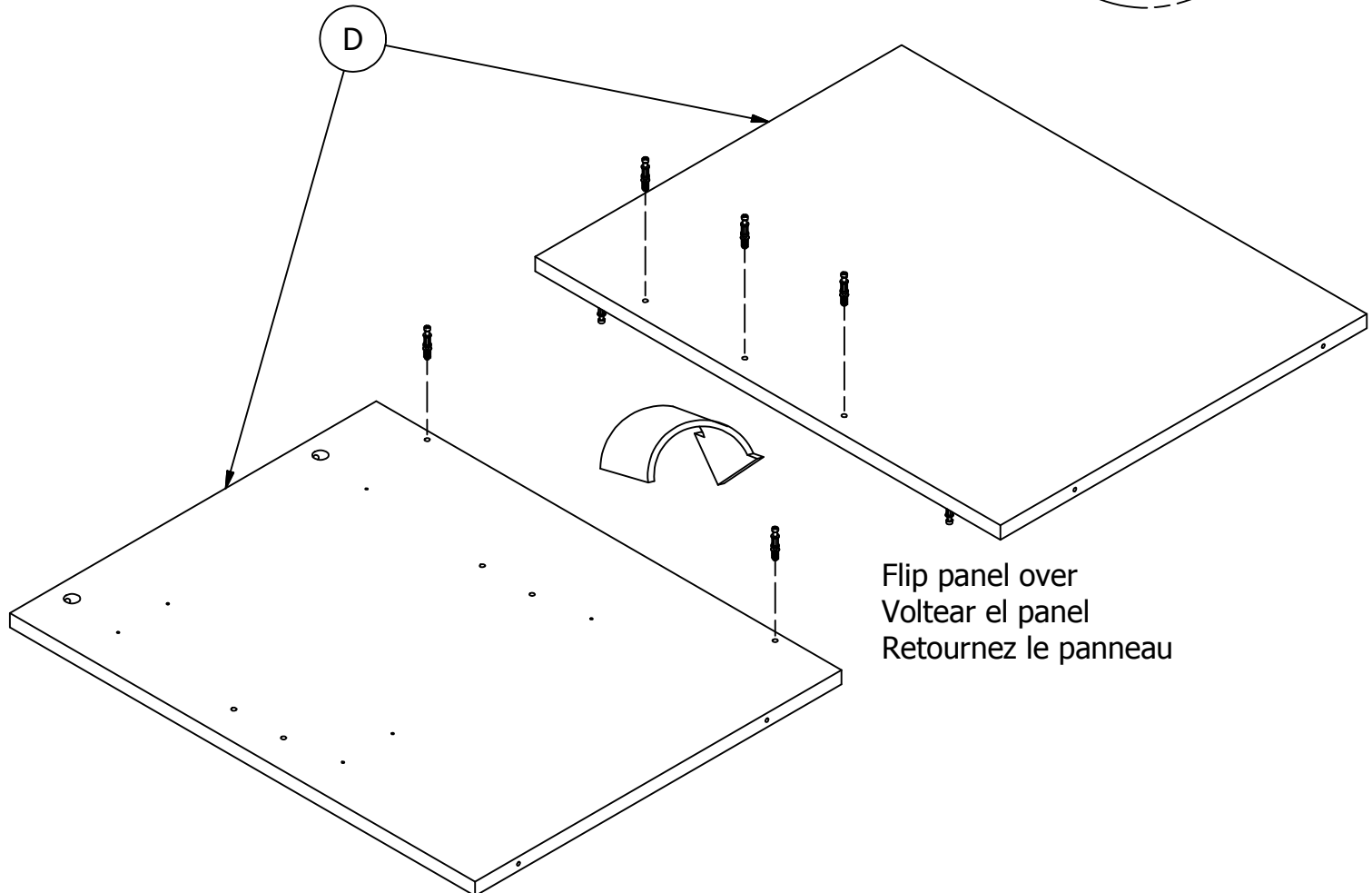
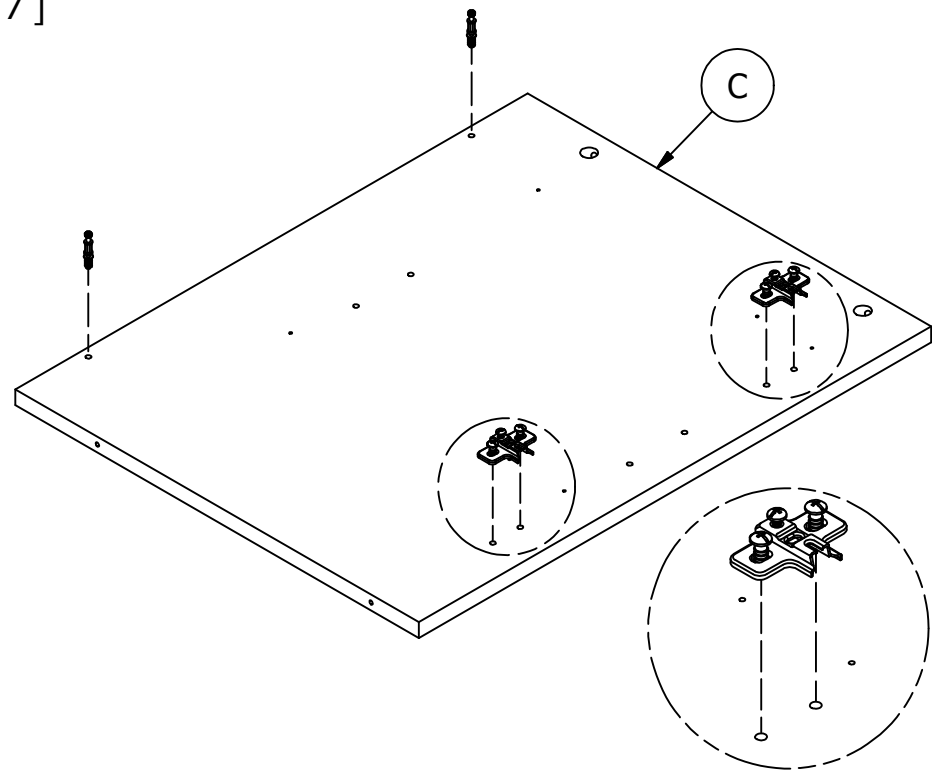
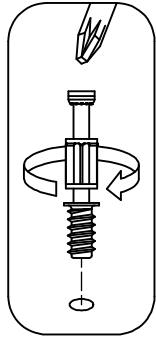
Vaya al paso 43 para terminar el ensamblaje.
Passez à l'étape 43 pour terminer l'assemblage.

STEP 26

Prepare Cabinet Sides

H72988 [7]
KD Bolt

H126364 [2]
Mounting Plate

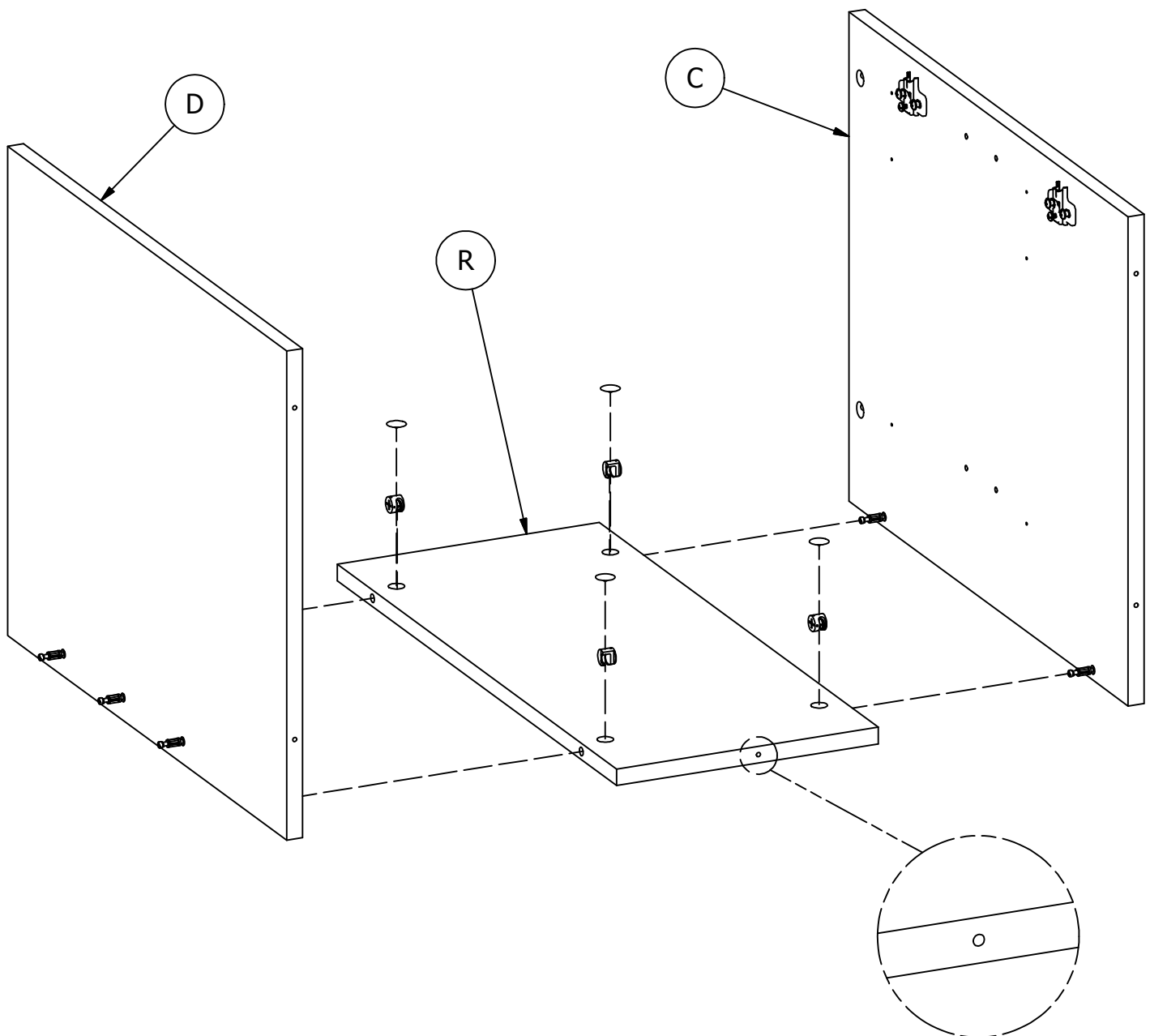
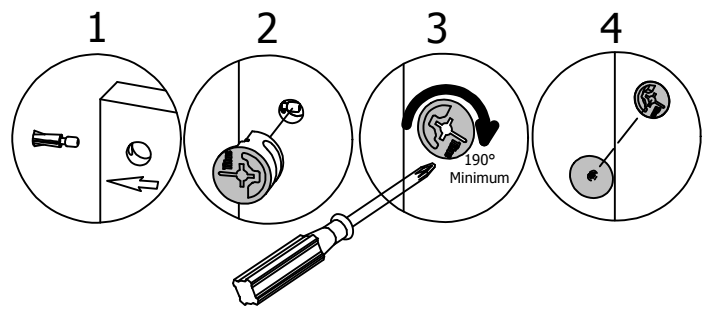


Flip panel over
Voltear el panel
Retournez le panneau

STEP 27

Assemble Cabinet

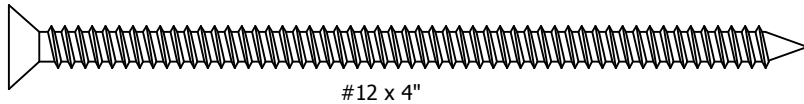
- H71659 [4]
KD Cam
- [4]
Cover Cap



STEP 28

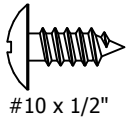
Assemble Cabinet Base

H143460

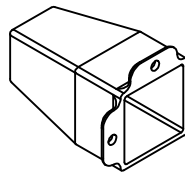


[4]

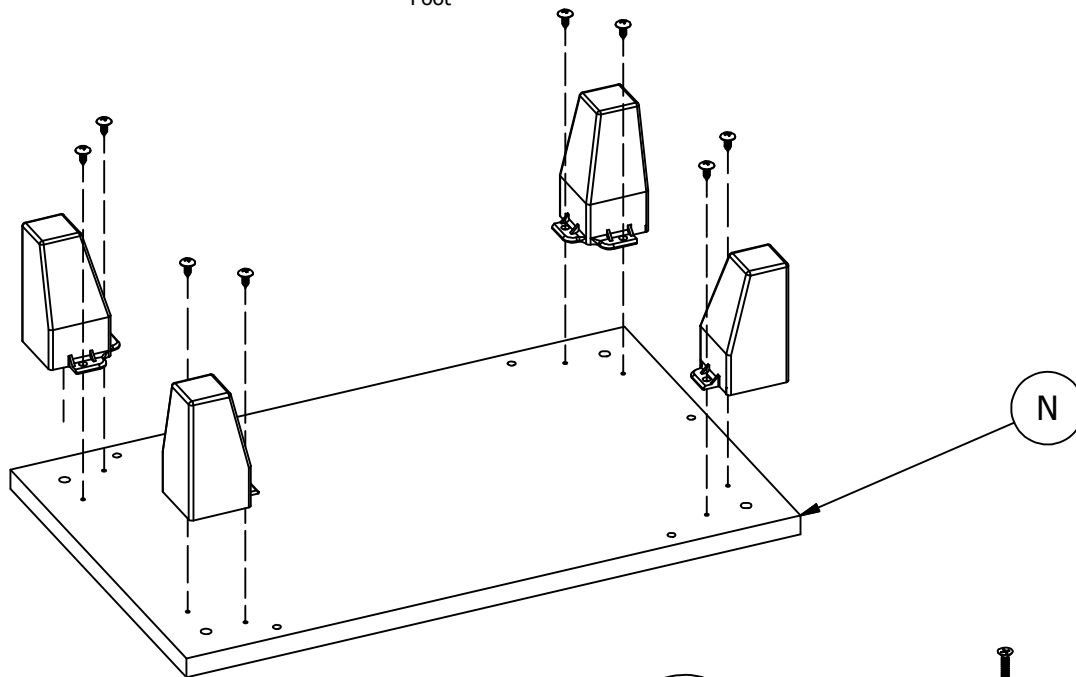
H35251



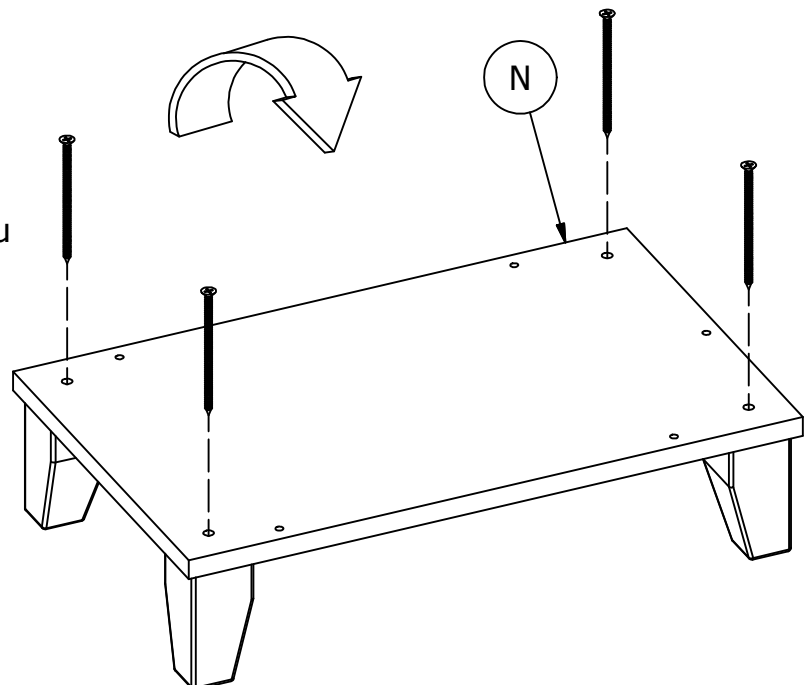
[8]



[4]



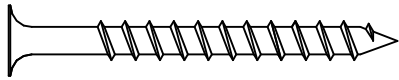
Flip panel over
Voltear el panel
Retournez le panneau



STEP 29

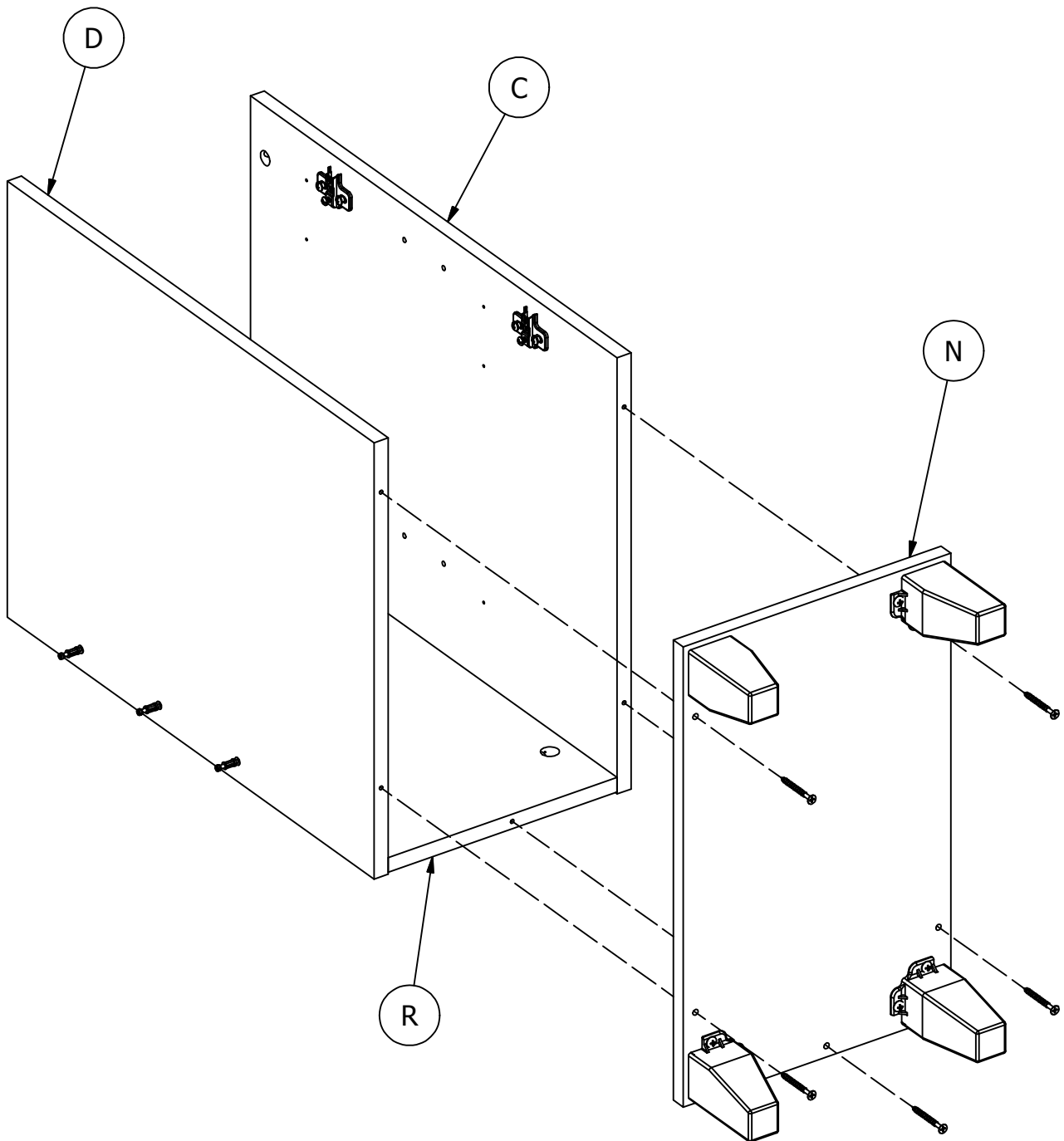
Assemble Cabinet

H23491



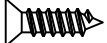
[5]


#10 x 2"

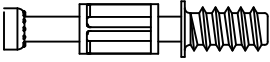


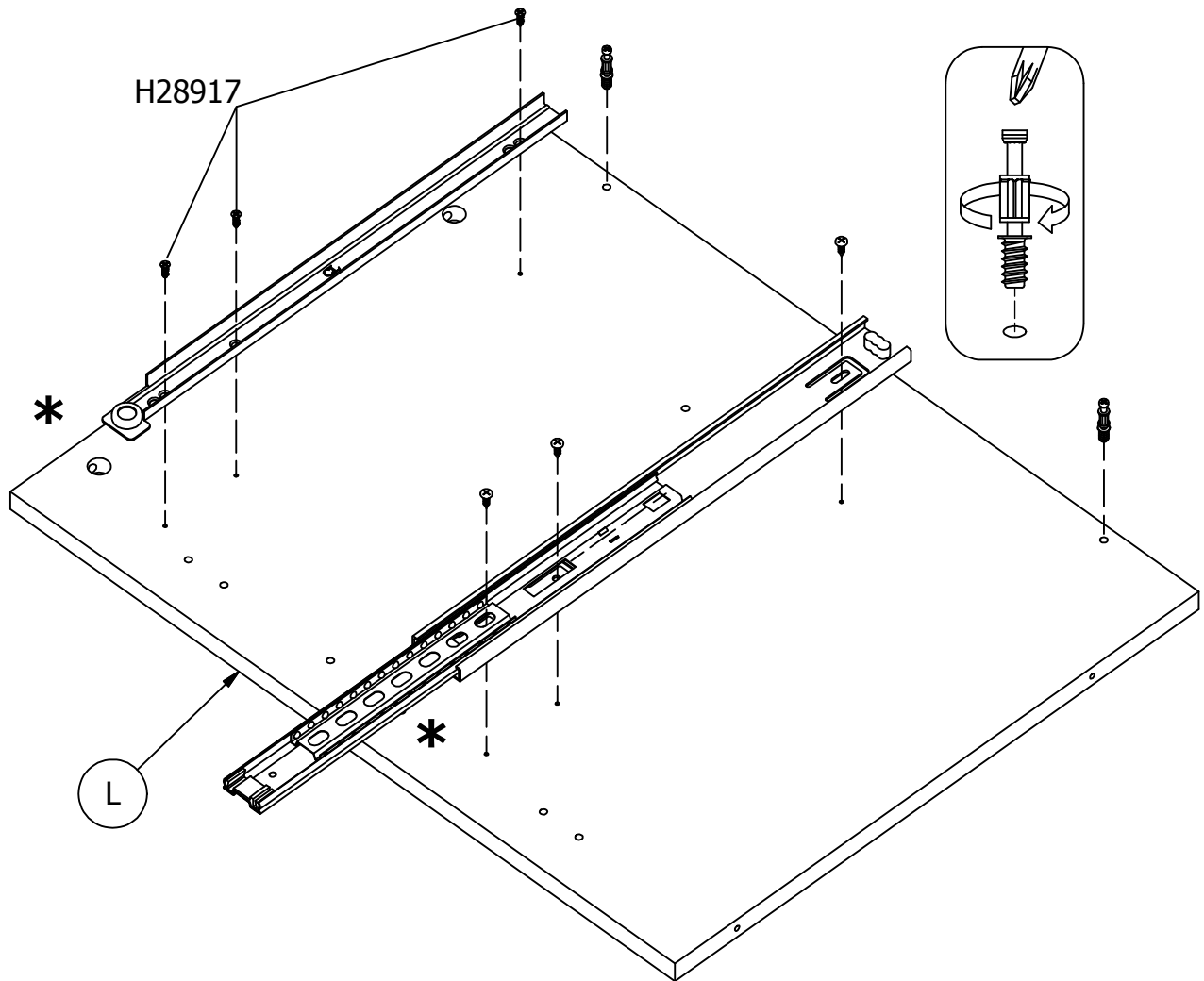
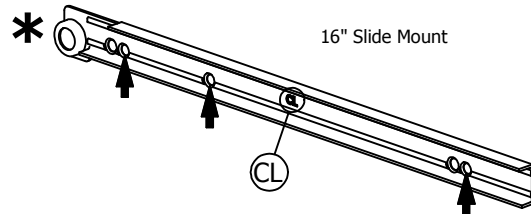
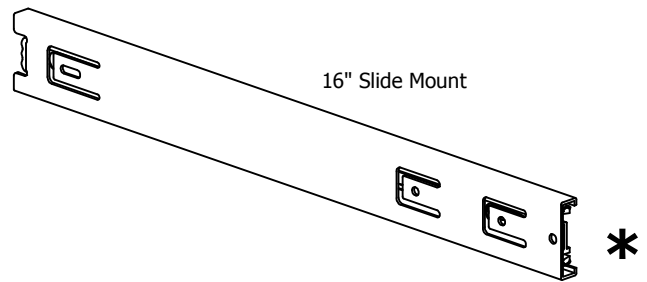
STEP 30

Prepare Cabinet Sides

H28917  [3]
#6 x 1/2" Silver


H101725  [3]
#6 x 1/2"


H72988  [2]
KD Bolt

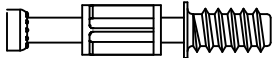


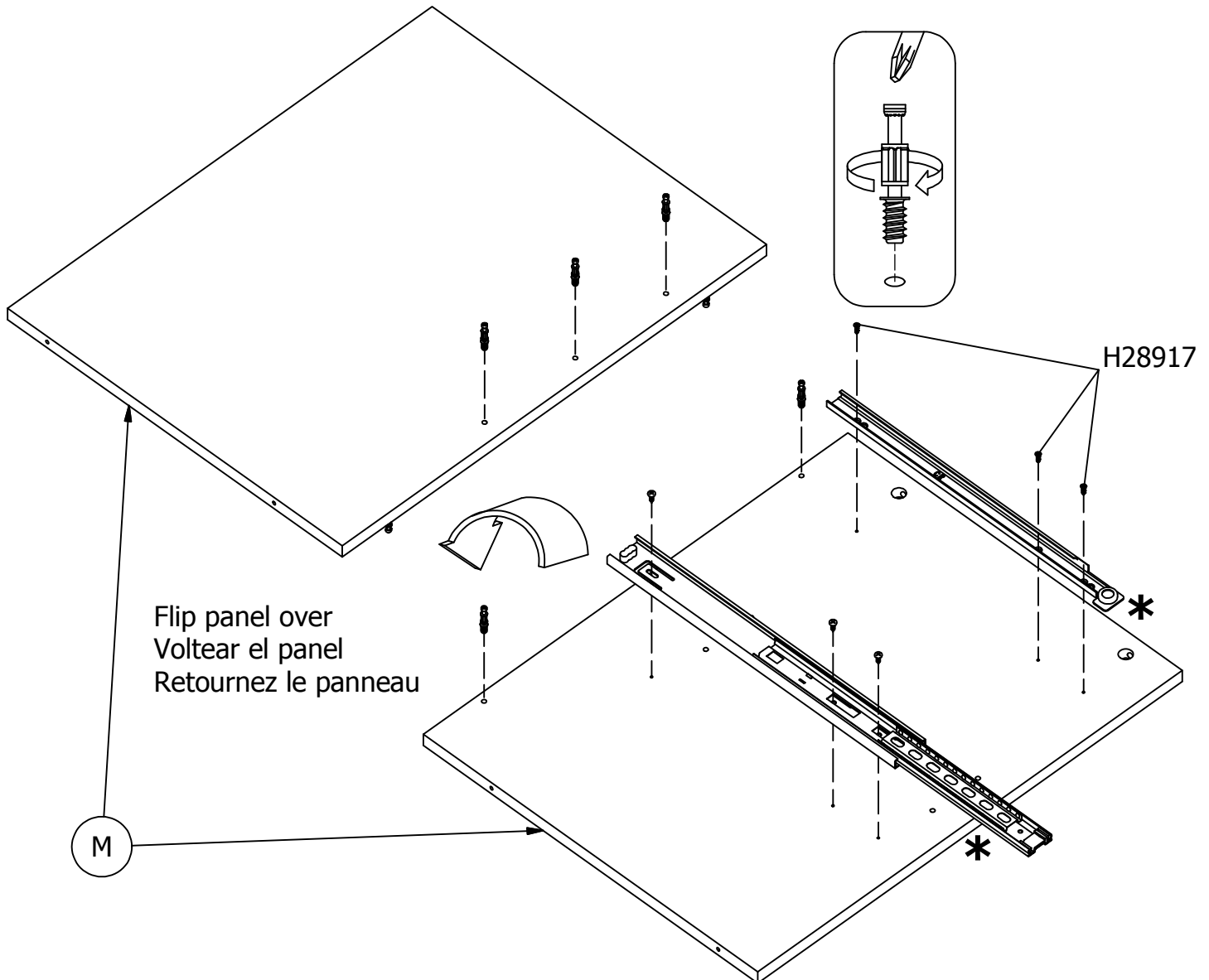
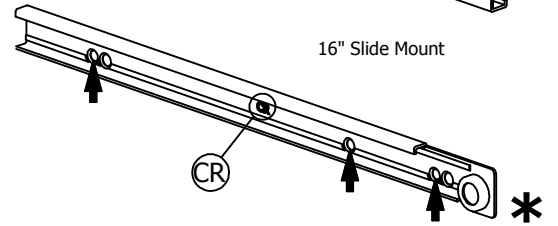
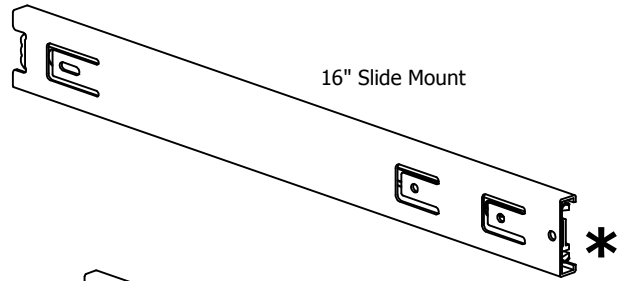
STEP 31

Prepare Cabinet Sides

H28917  [3]
#6 x 1/2" Silver

H101725  [3]
#6 x 1/2"

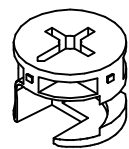
H72988  [5]
KD Bolt



STEP 32

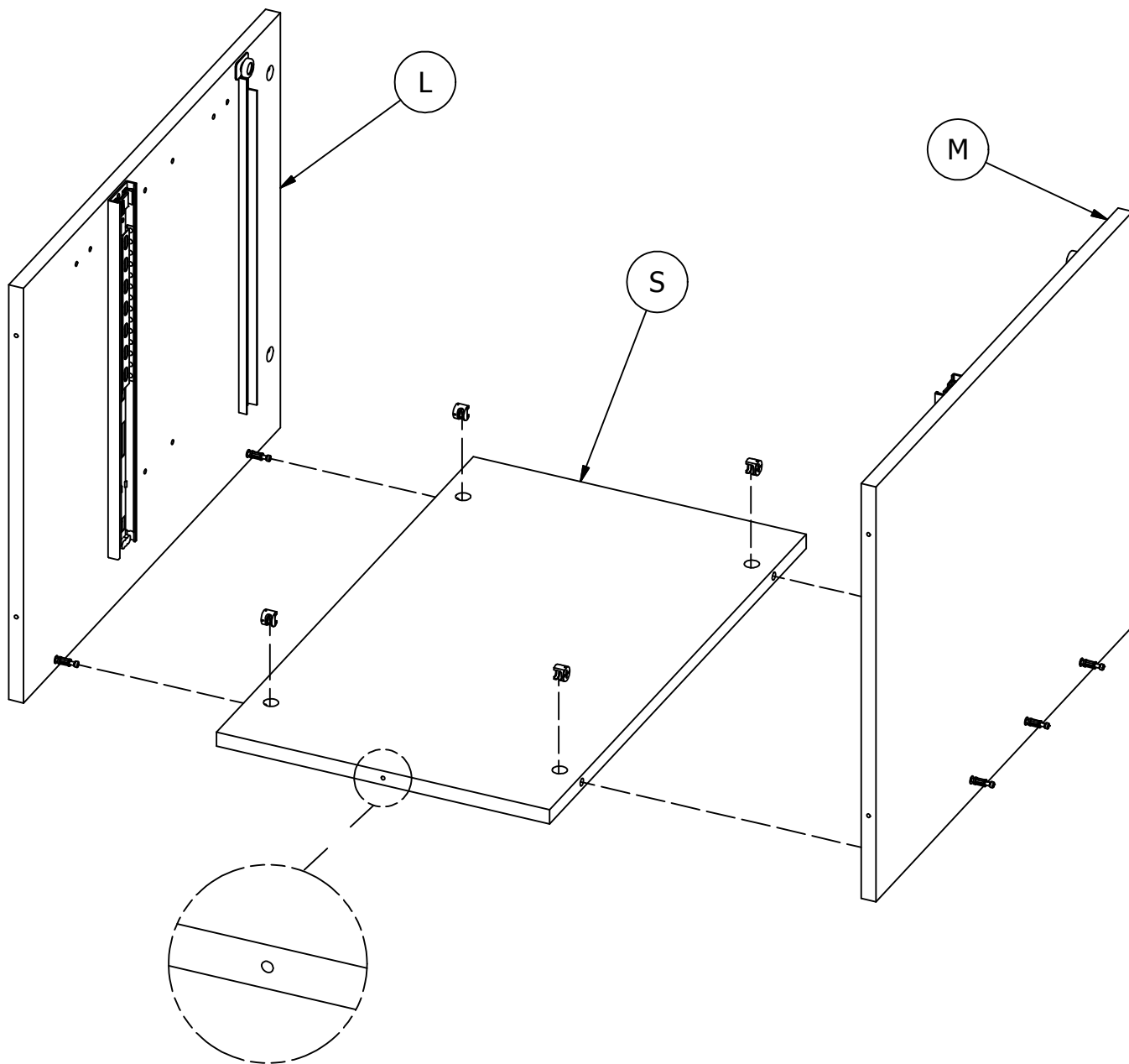
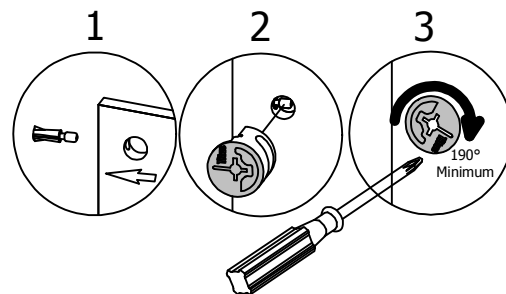
Assemble Cabinet

H71659



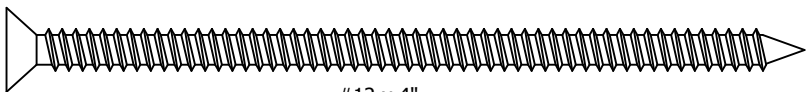
[4]

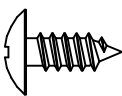
KD Cam

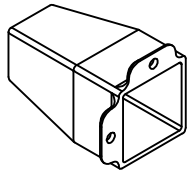


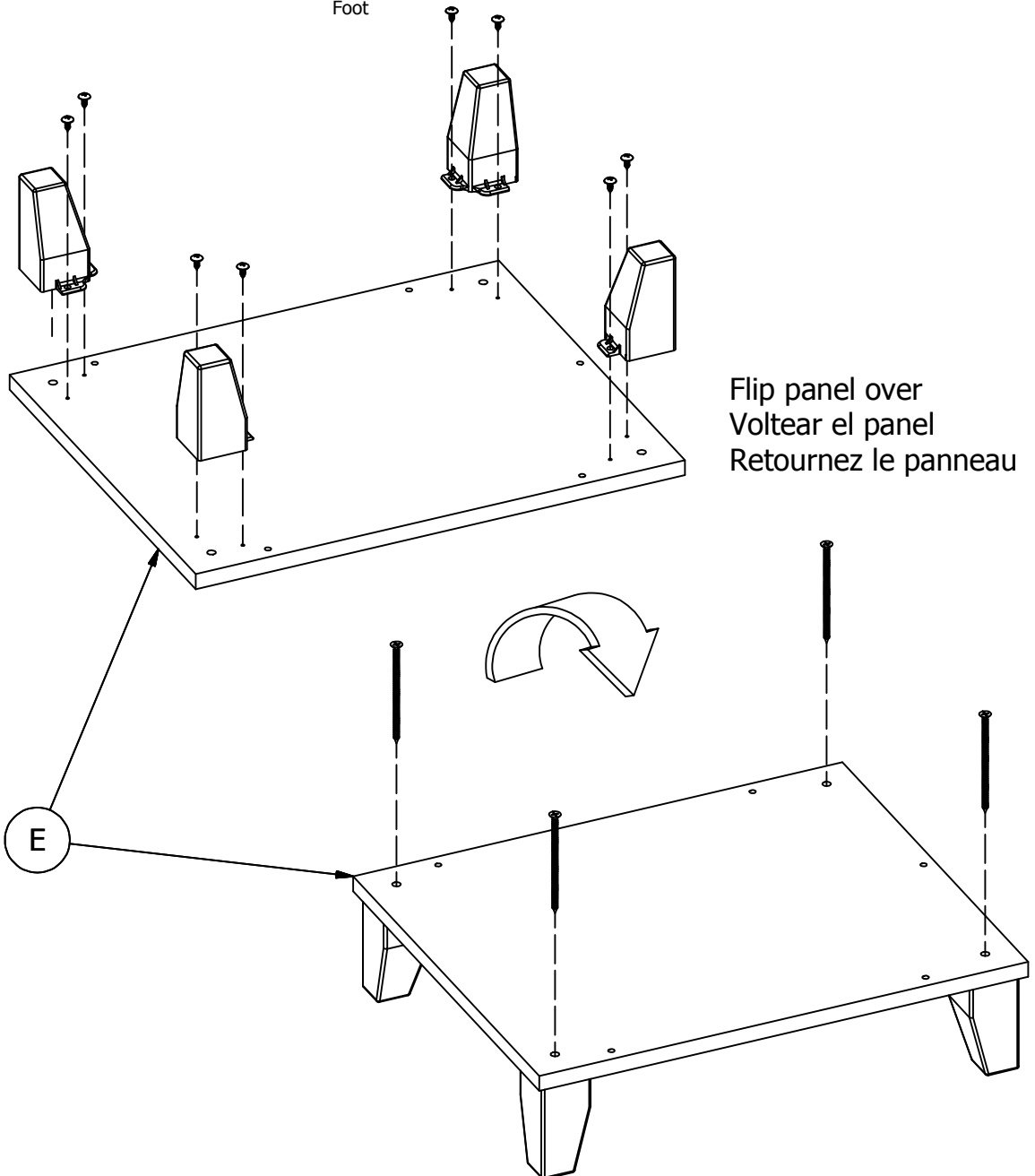
STEP 33

Assemble Cabinet Base

H143460  [4]
#12 x 4"

H35251  [8]
#10 x 1/2"

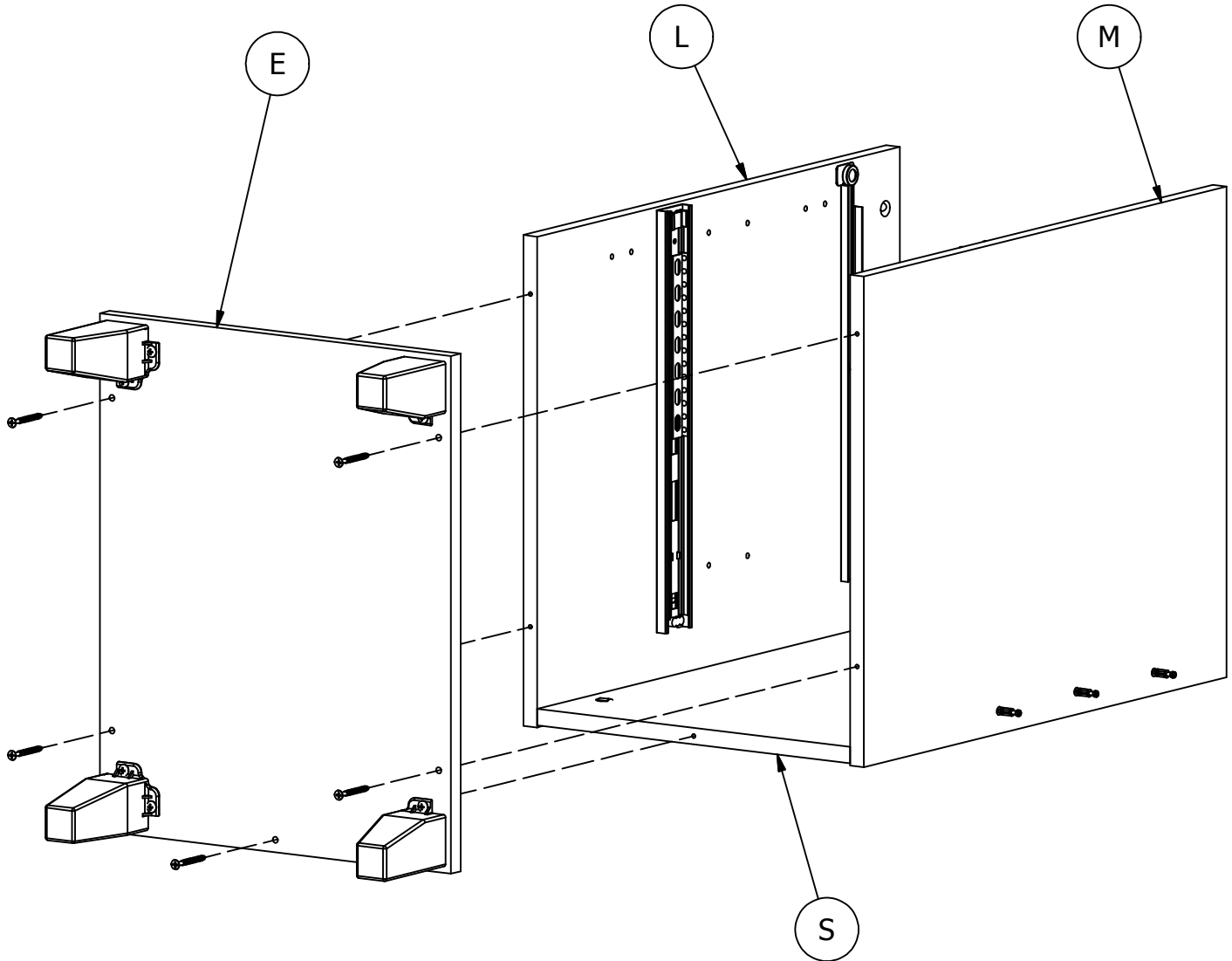
 [4]
Foot



STEP 34

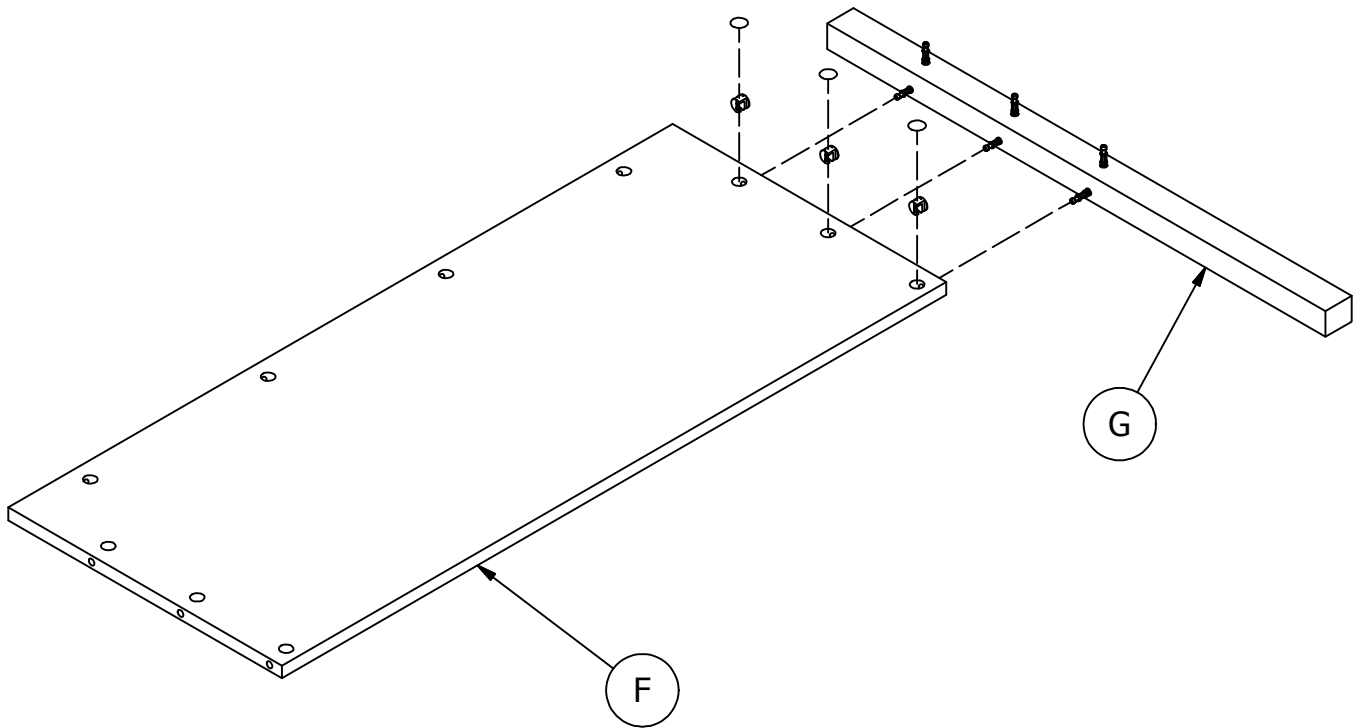
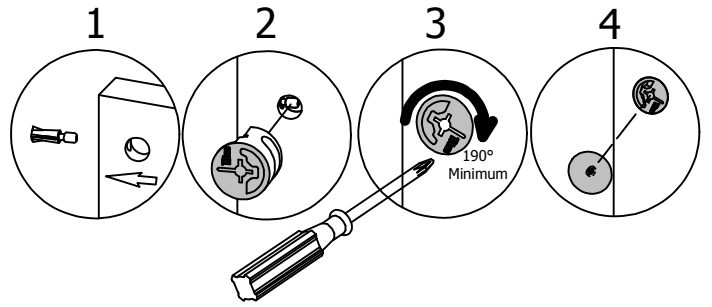
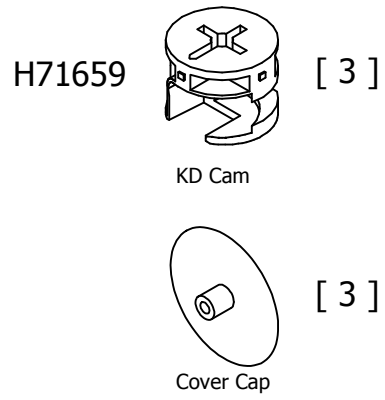
Assemble Cabinet

H23491 [5]
#10 x 2"



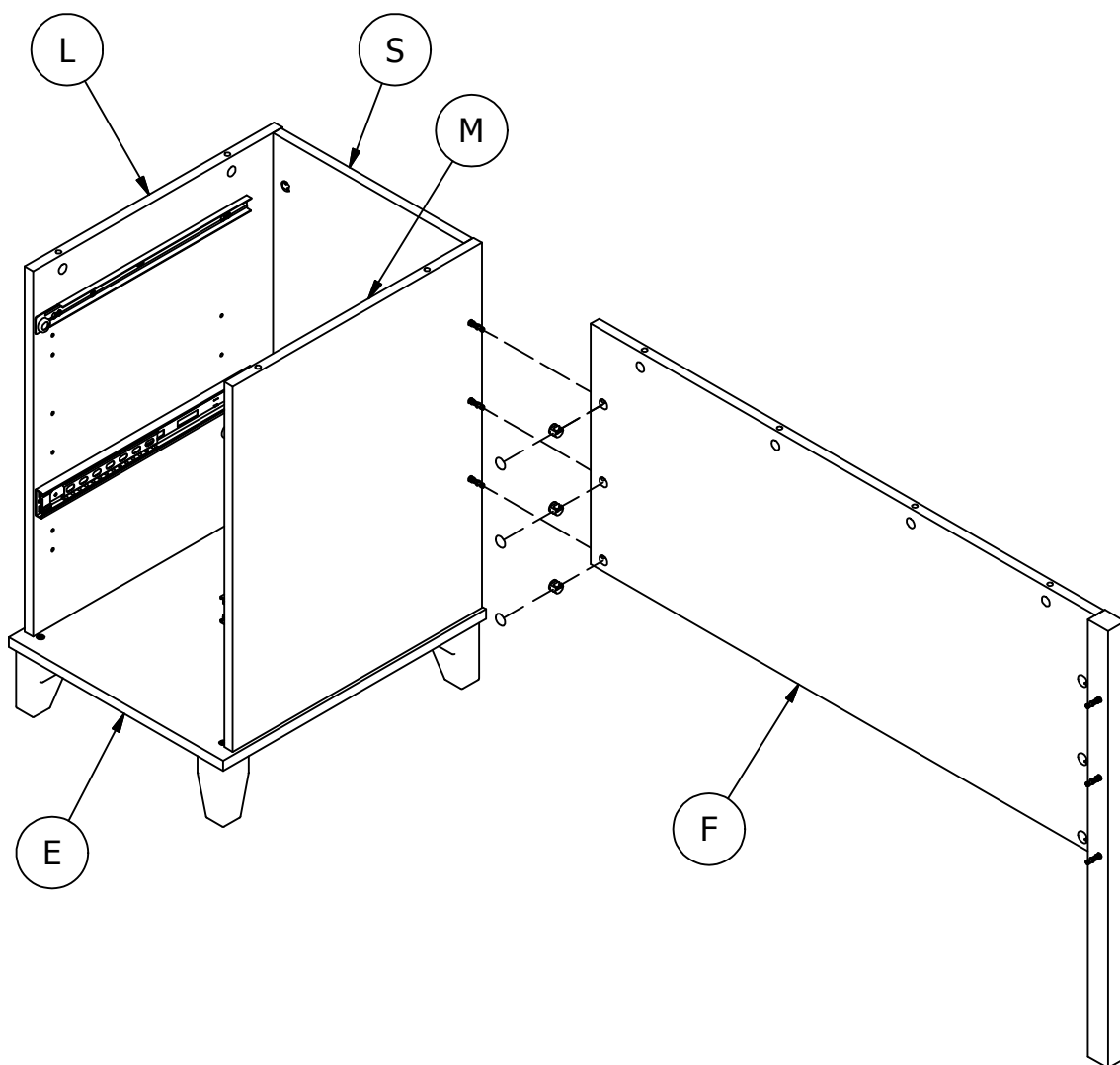
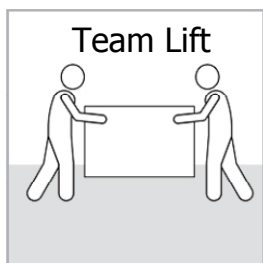
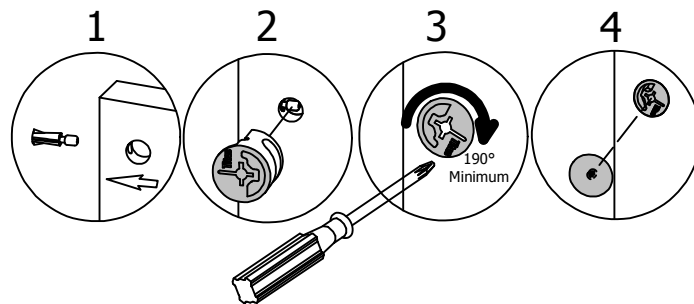
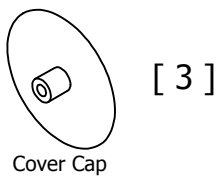
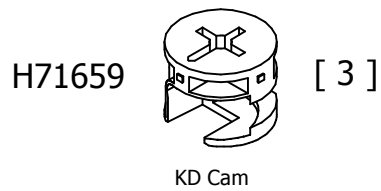
STEP 35

Assemble Modesty Panel



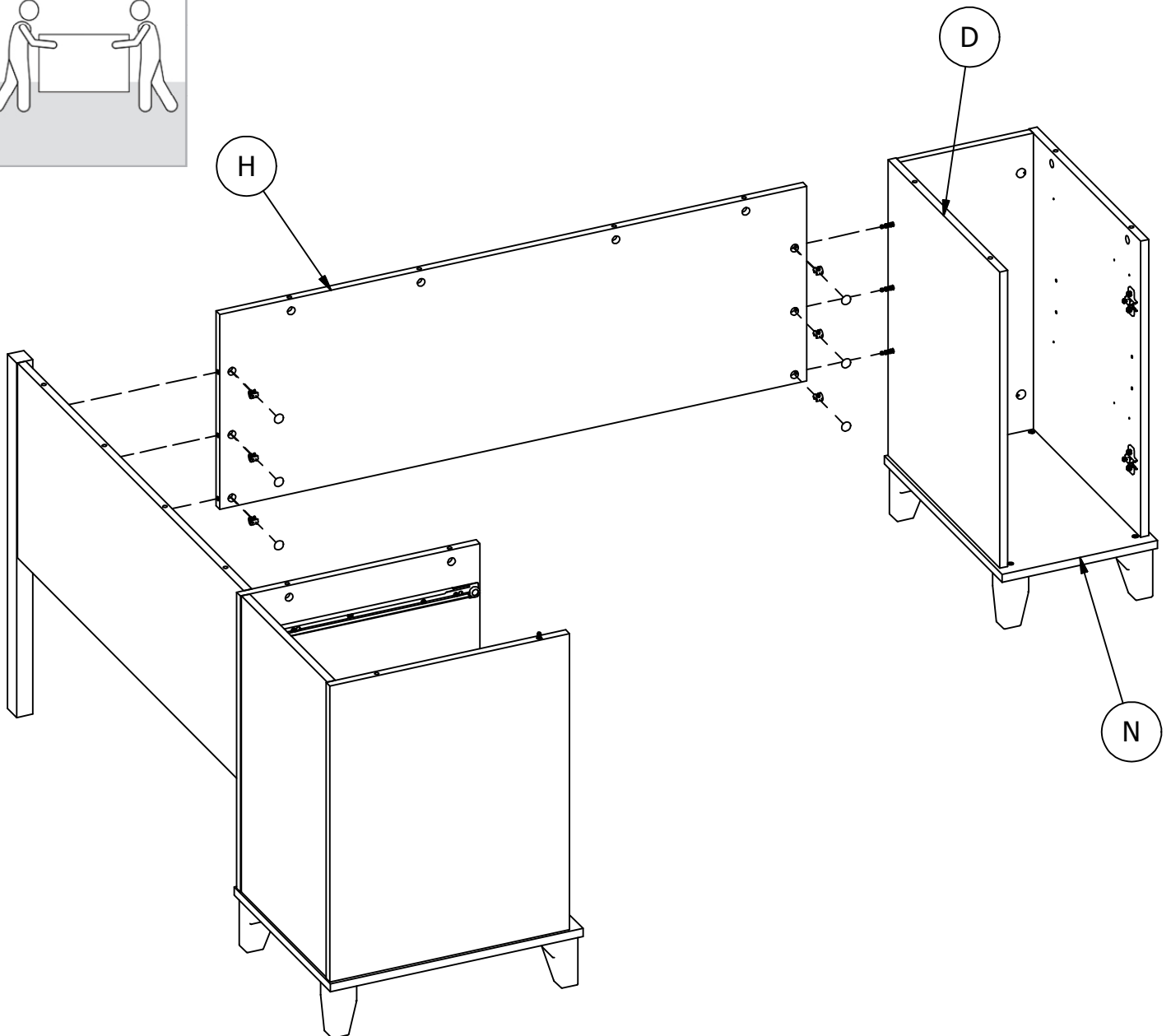
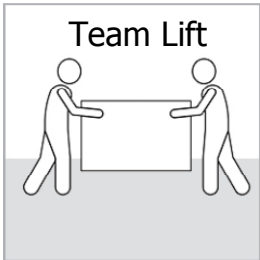
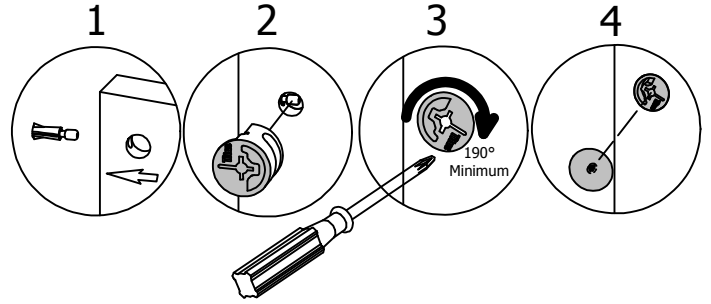
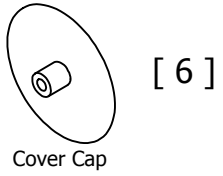
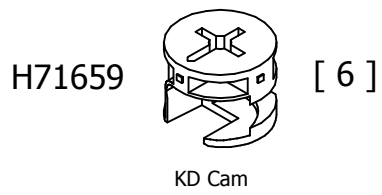
STEP 36

Assemble Modesty Panel to Cabinet



STEP 37

Assemble Modesty Panel to Cabinet



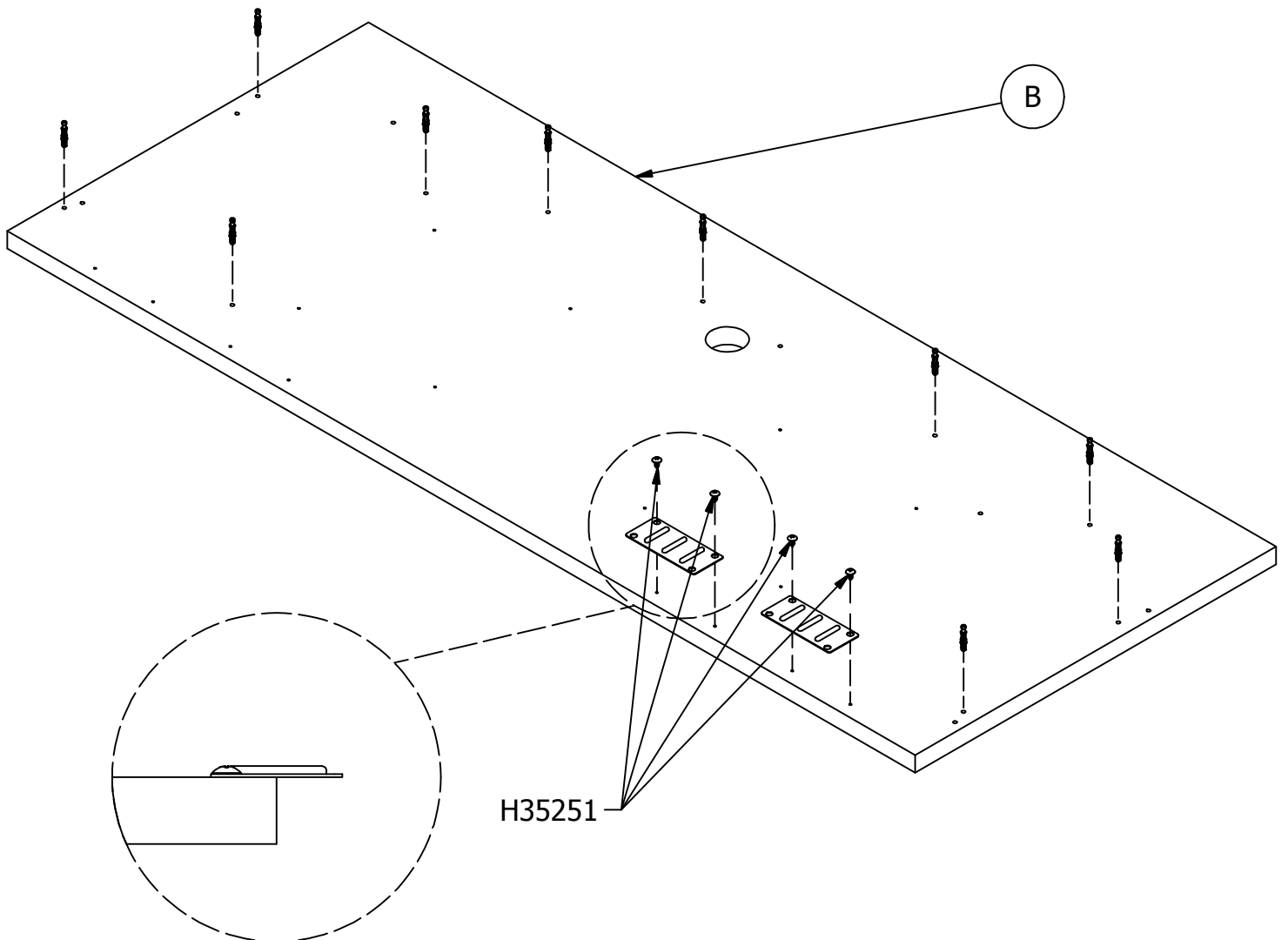
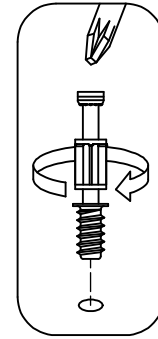
STEP 38

Prepare Work Surface

H72988 [10]
KD Bolt

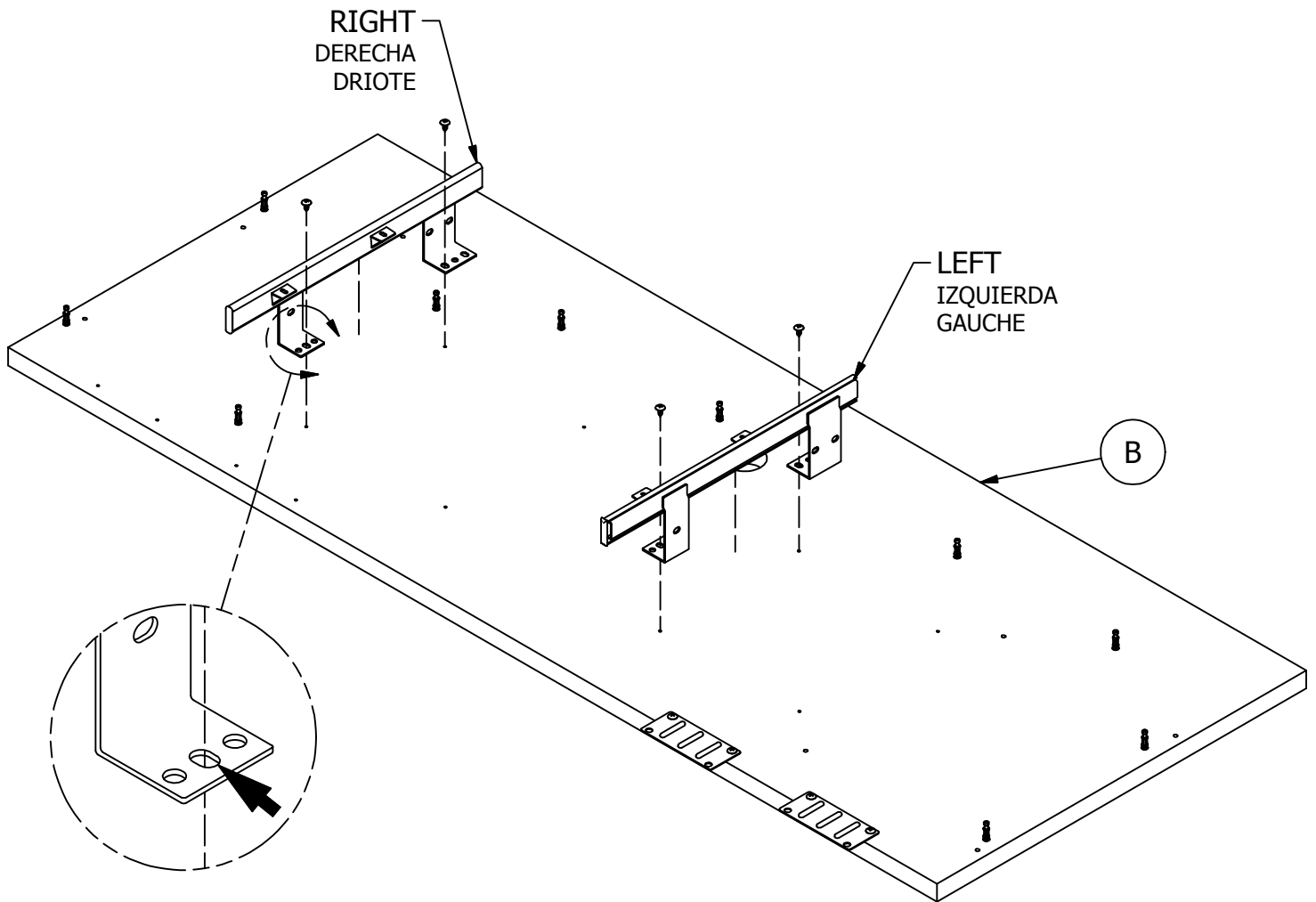
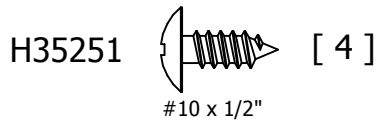
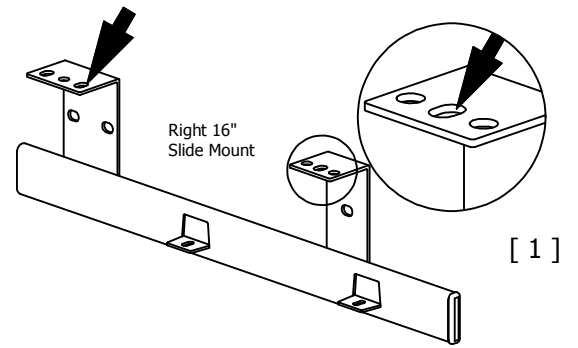
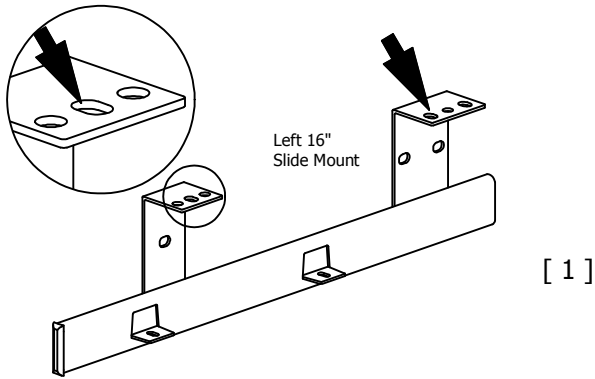
H35251 [4]
#10 x 1/2"

H39922 [2]
Strap



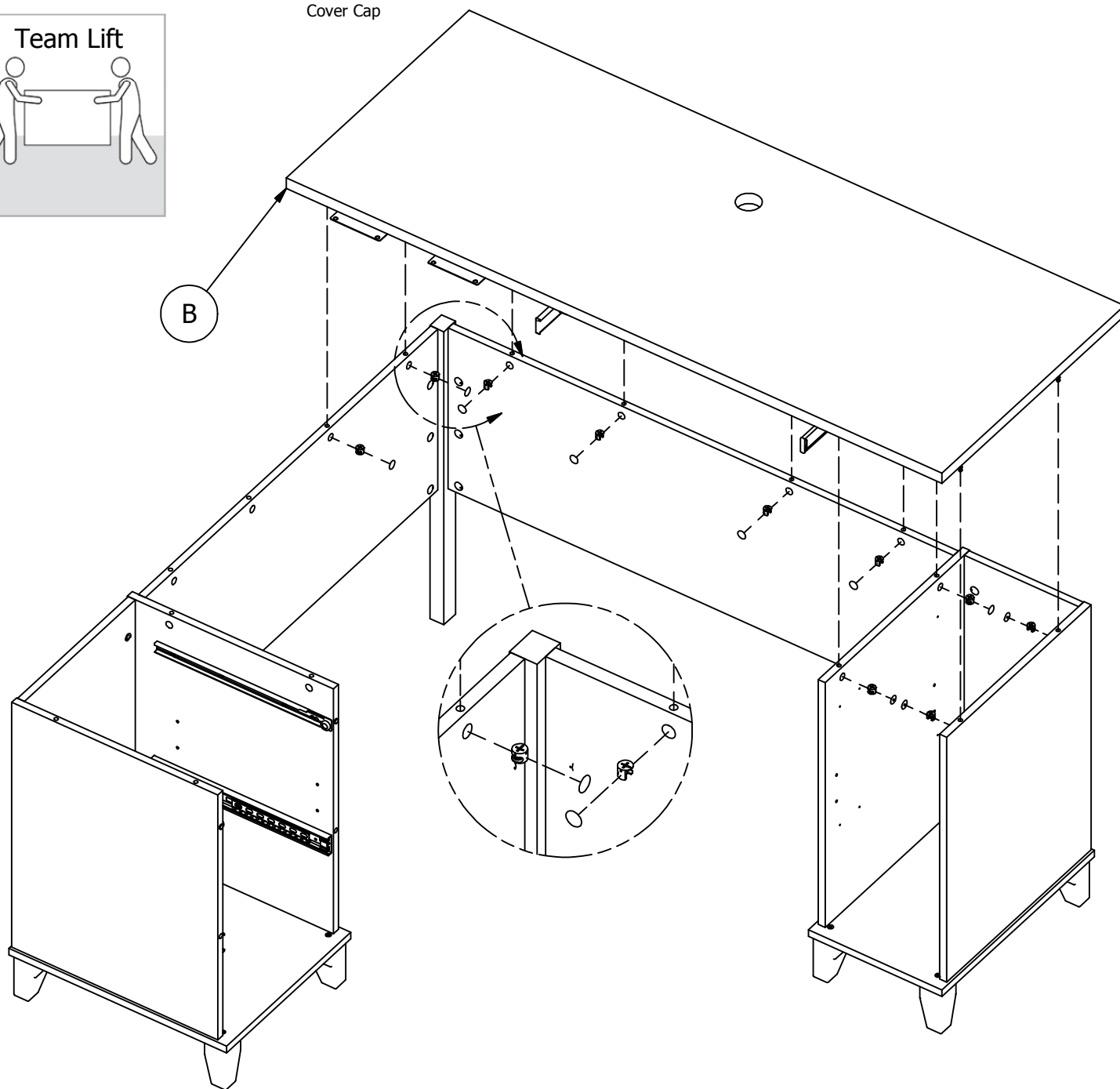
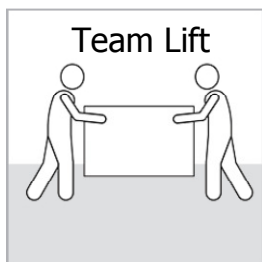
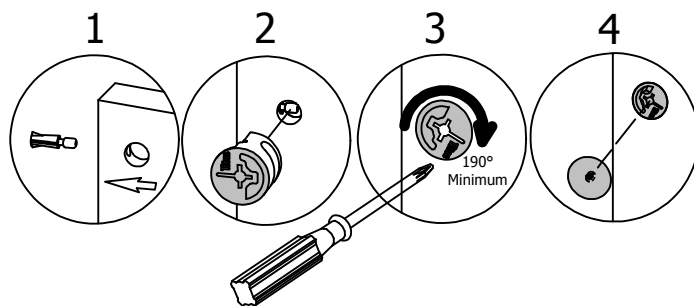
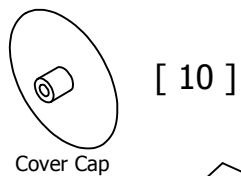
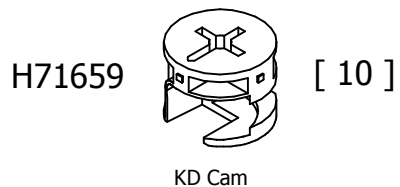
STEP 39

Prepare Work Surface



STEP 40

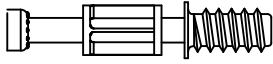
Assemble Work Surface



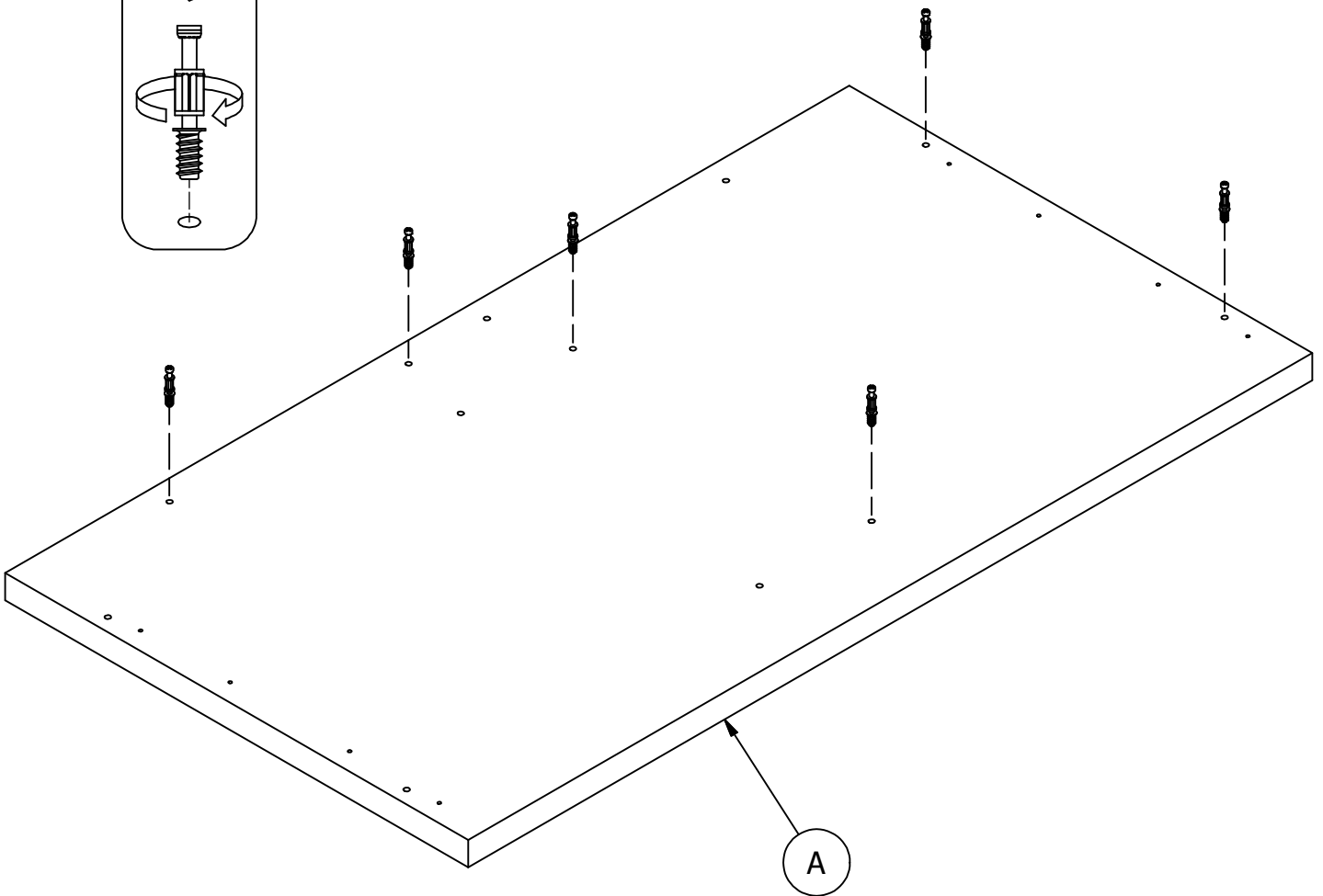
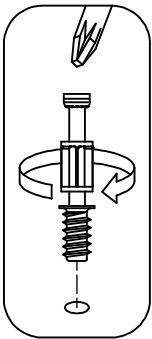
STEP 41

Prepare Work Surface

H72988 [6]



KD Bolt



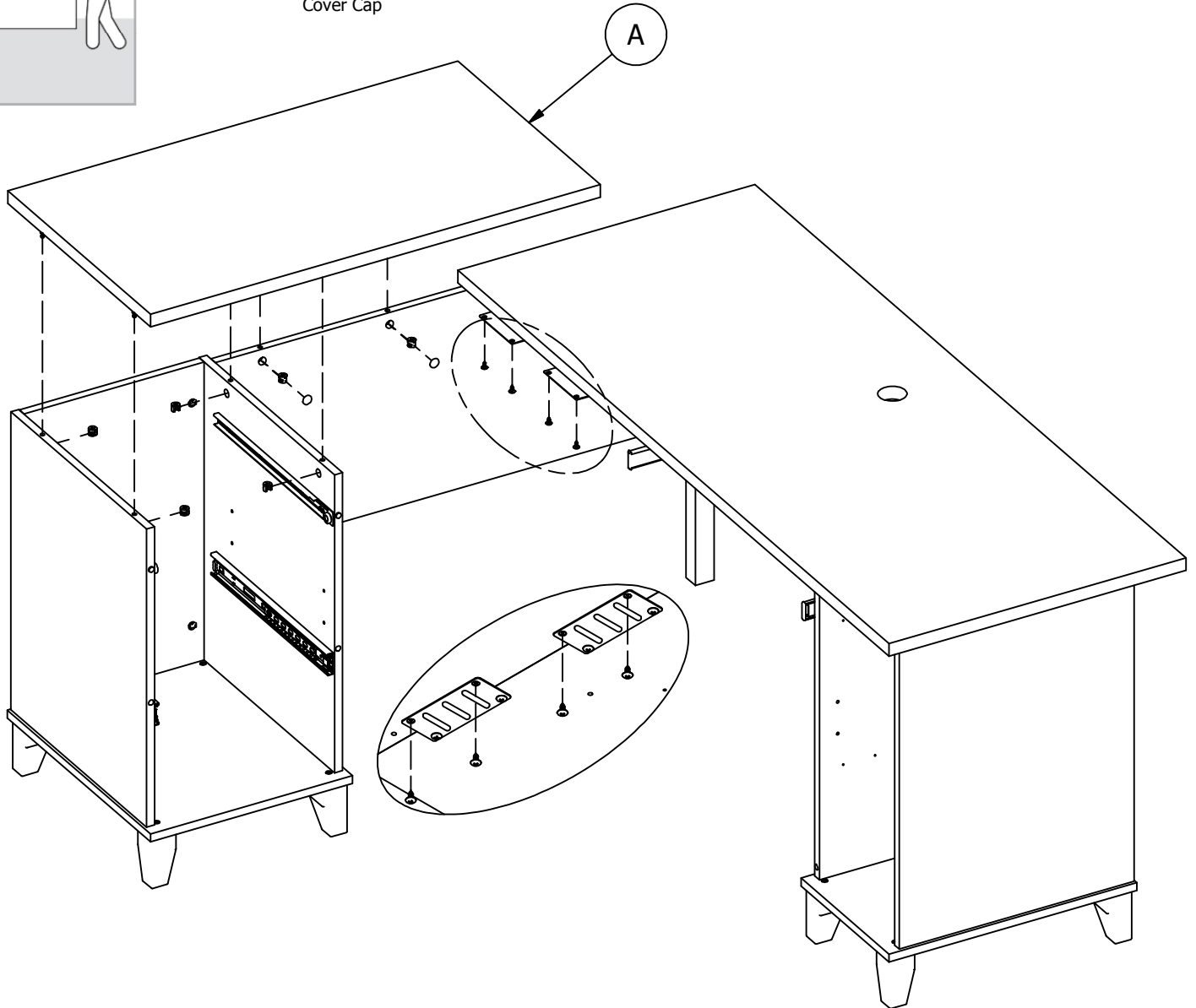
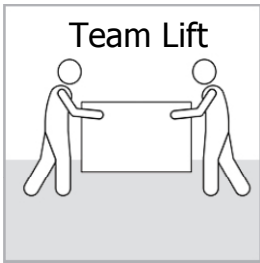
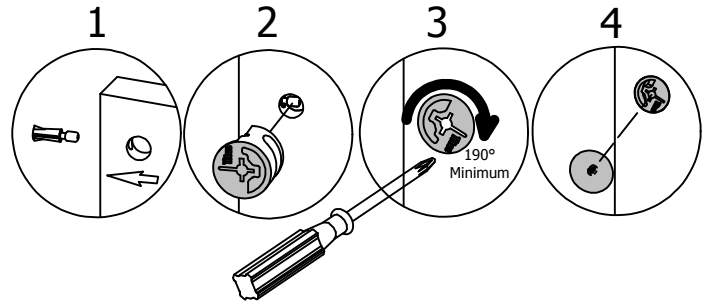
STEP 42

Assemble Work Surface

H71659 [6]
KD Cam

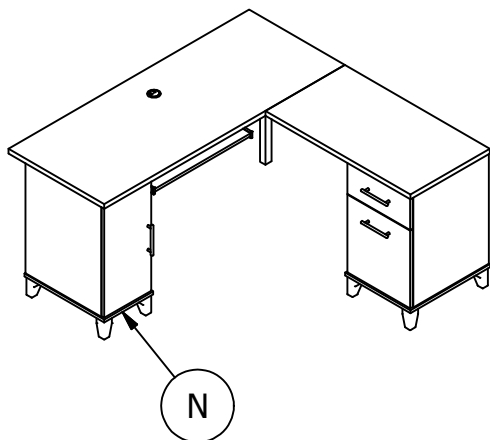
H35251 [4]
#10 x 1/2"

[2]
Cover Cap

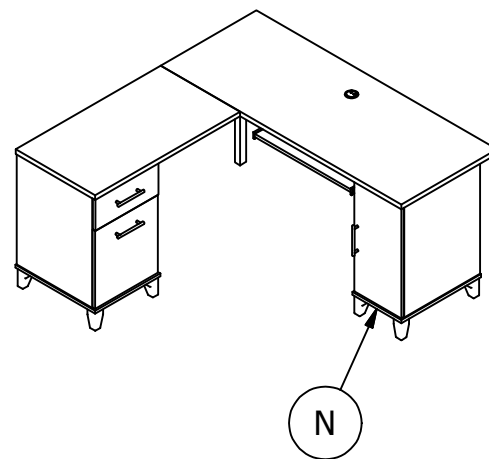


STEP 43

Assemble Adjustable Shelf



Or



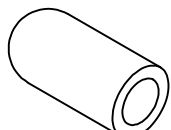
H23604



[4]

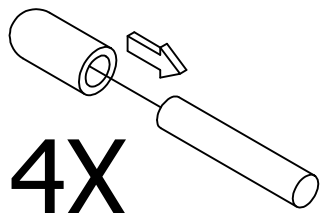
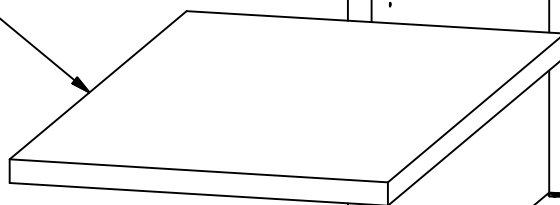
Shelf Pin

H126396

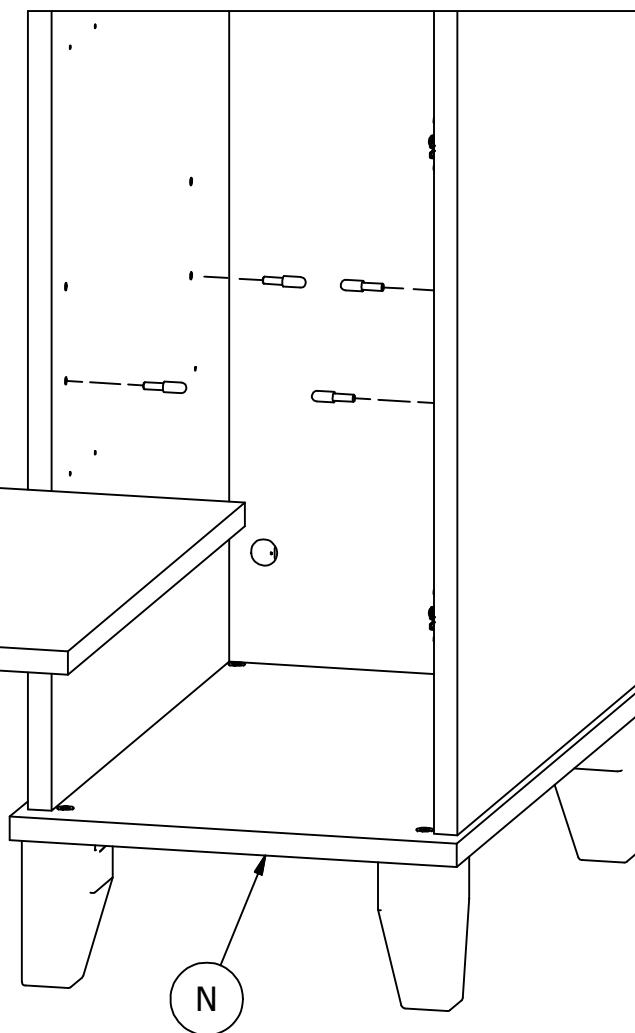


[4]

Shelf Pin Sleeve

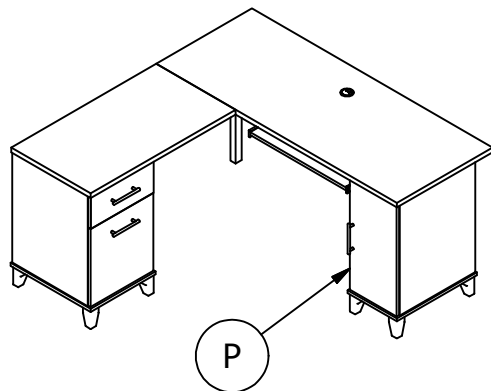


4X

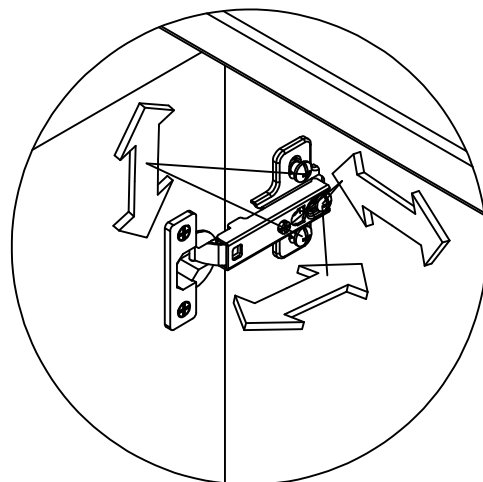
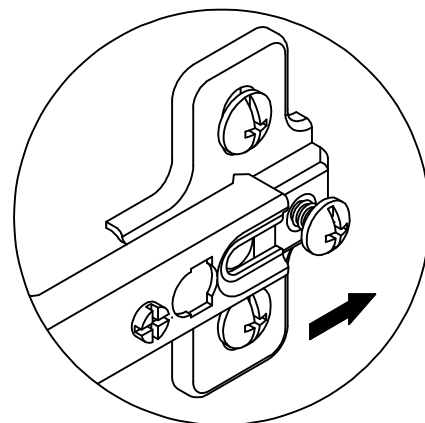
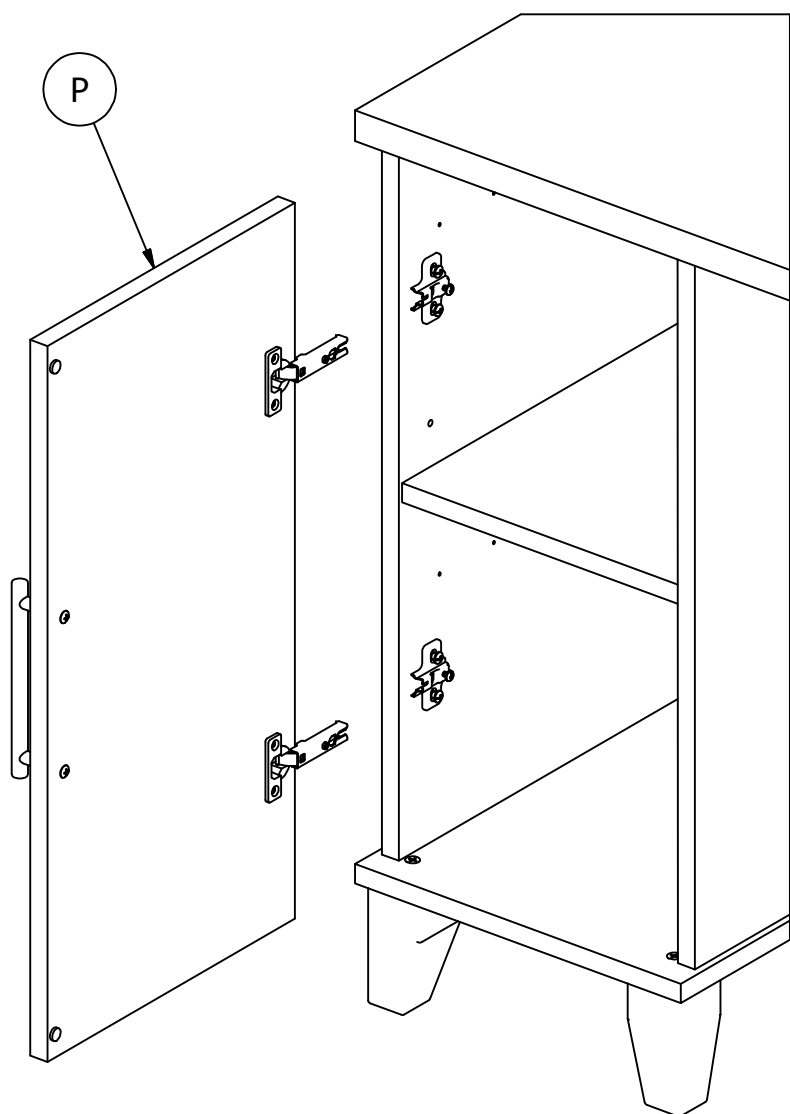
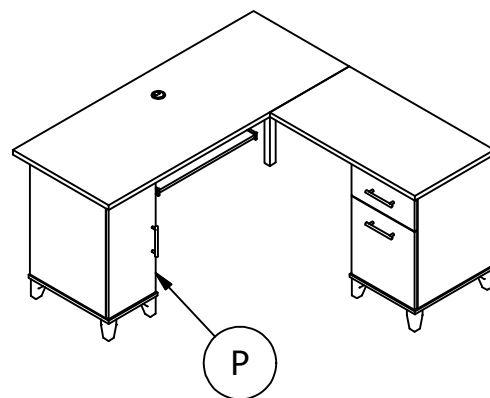


STEP 44

Assemble and Adjust Door

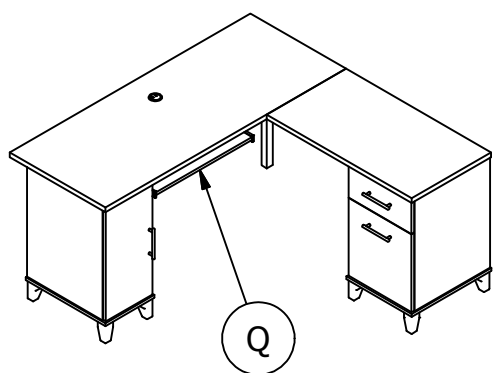


Or

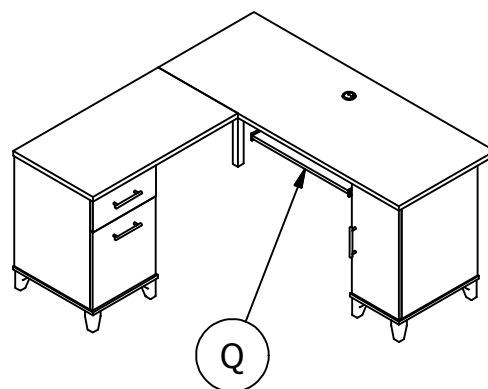


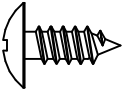
STEP 45

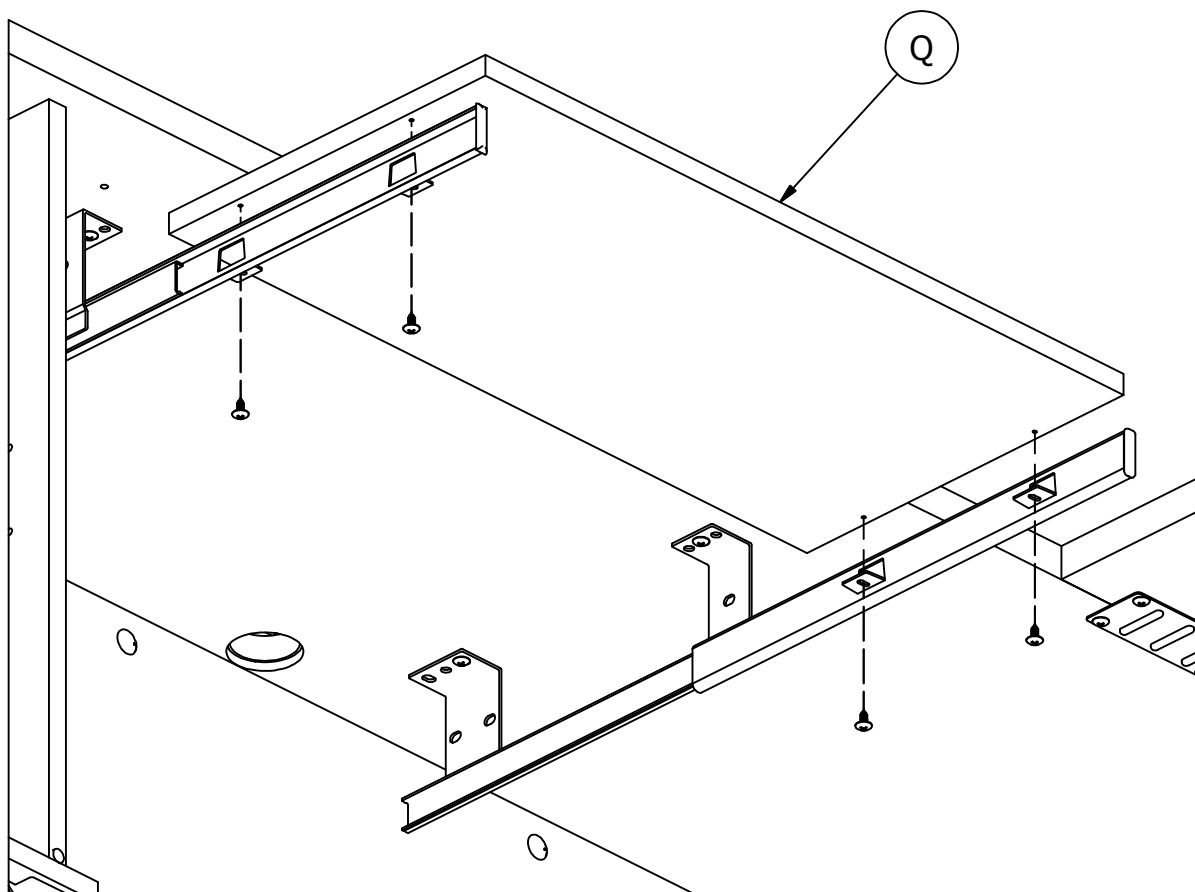
Assemble Keyboard Shelf



Or

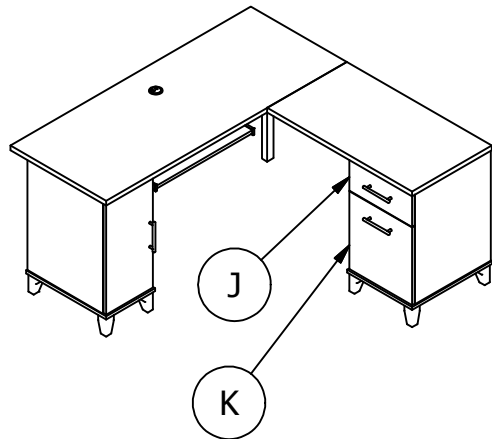


H35251  [4]
#10 x 1/2"

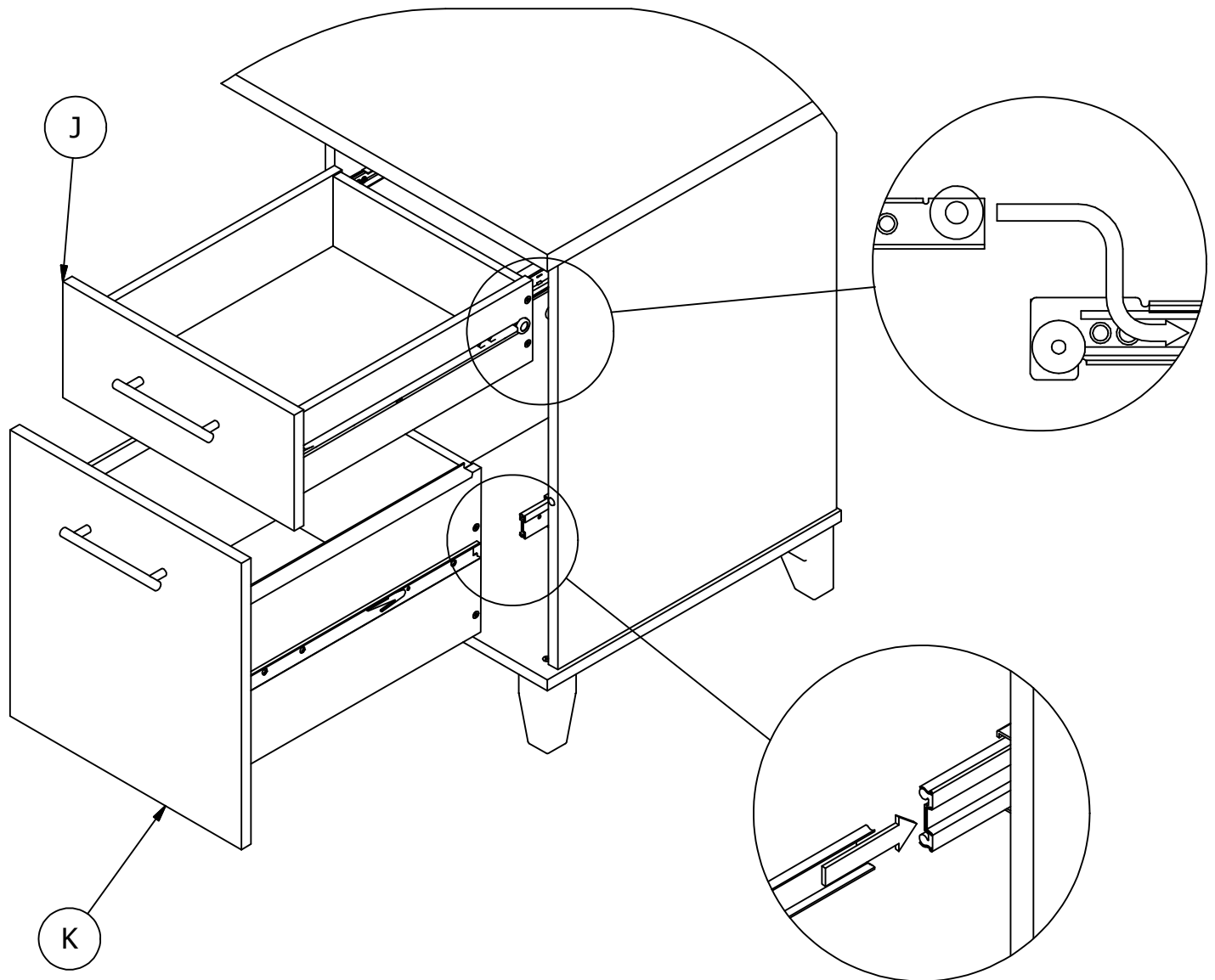
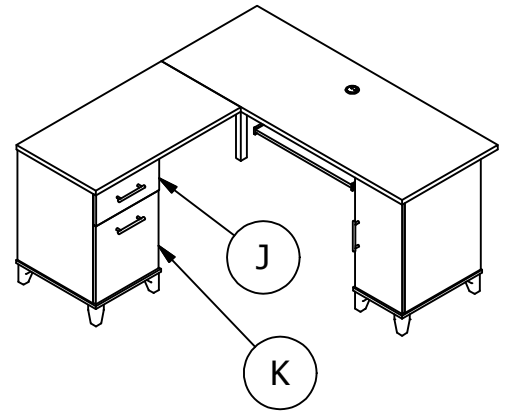


STEP 46

Insert Drawers



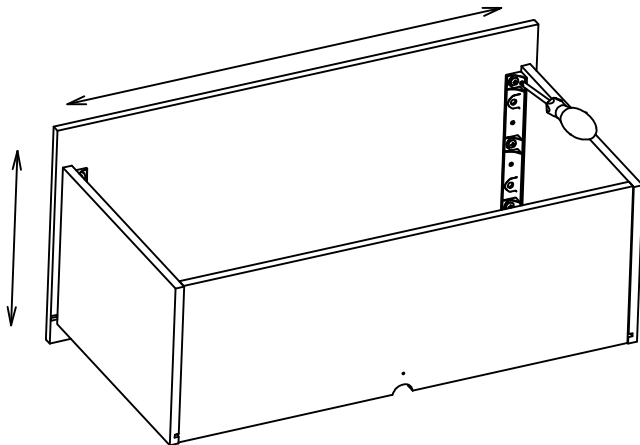
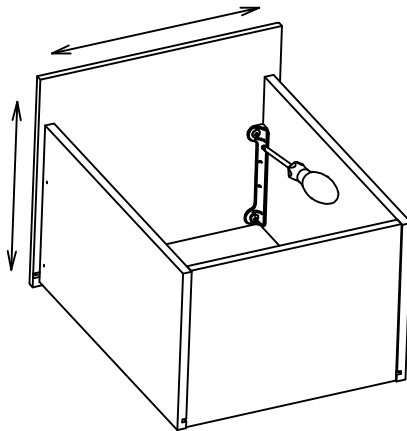
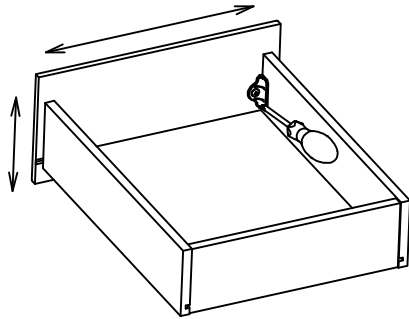
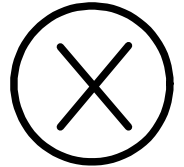
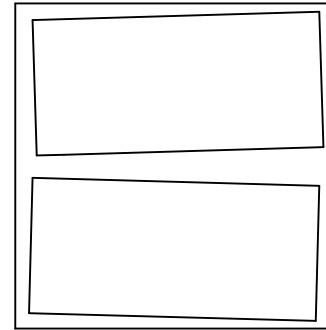
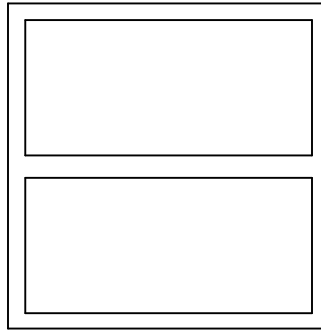
Or



STEP 47

Adjust Drawer Fronts

DRAWER FRONT VIEW



REQUIRED TOOL: PHILLIPS SCREWDRIVER

HERRAMIENTA REQUERIDA: DESTORNILLADOR PHILLIPS
OUTIL REQUIS: TOURNEVIS CRUCIFORME



1. LOOSEN SCREWS.
2. ADJUST DRAWER FRONTS.
3. TIGHTEN SCREWS.

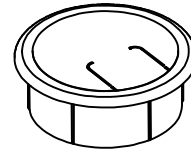
1. Afloje los tornillos
2. Ajustar frentes de cajón
3. Apriete los tornillos

1. Desserrer les vis
2. Ajuster les façades des tiroirs
3. Serrer les vis

STEP 48

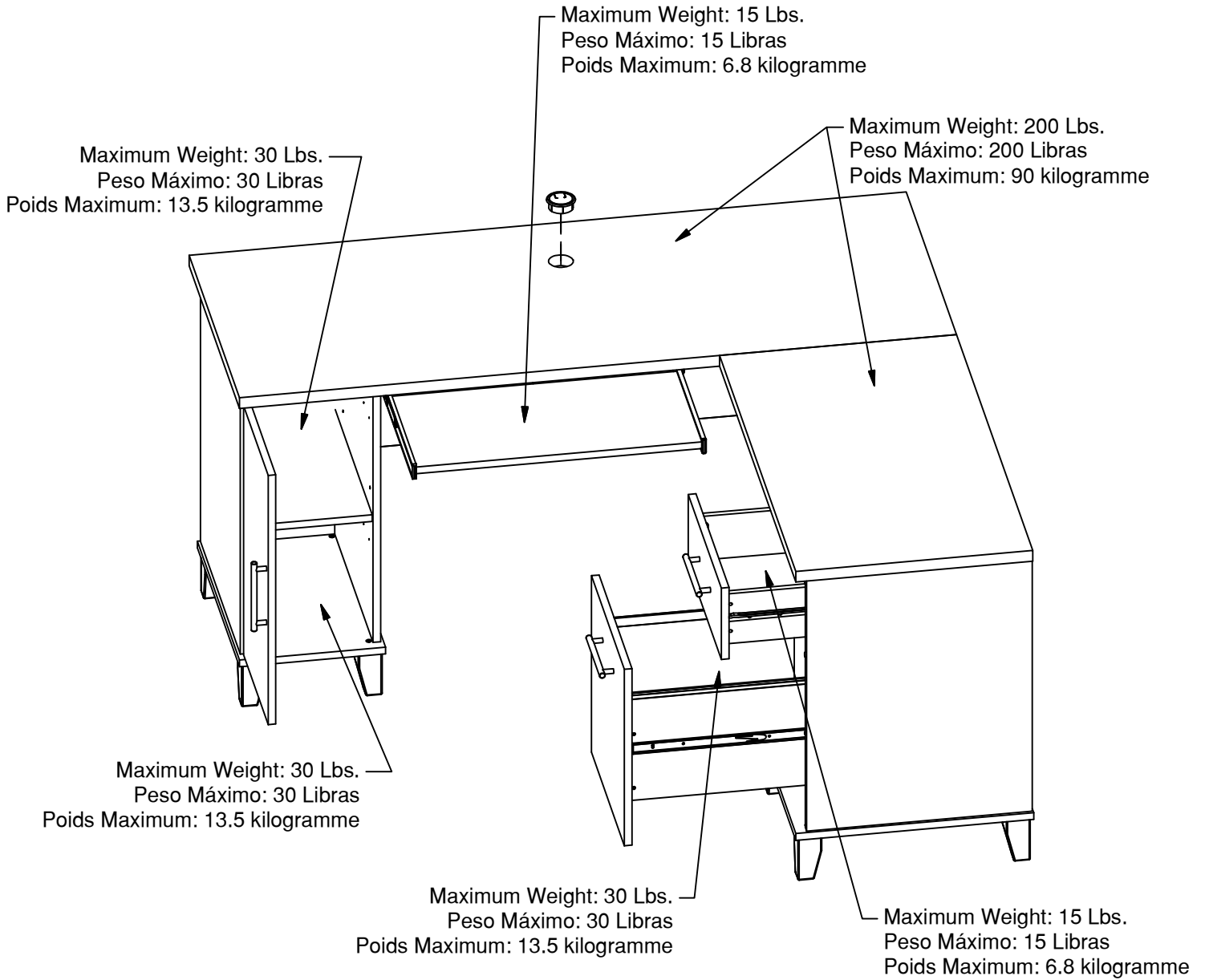
Grommet Insert and Loading

Gently clean surfaces with a damp sponge eraser.



Grommet

[1]

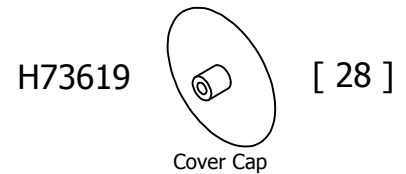
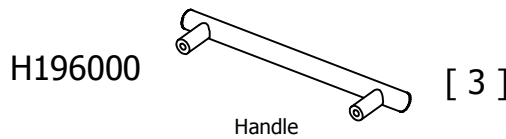
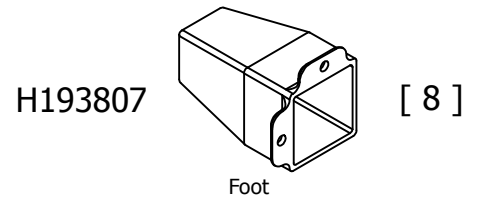
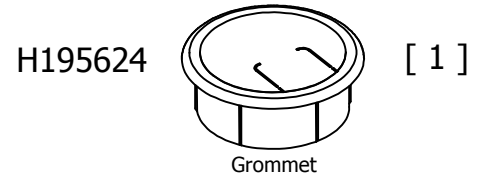


Congratulations! You are all done. If you have any questions or concerns, please call.

PARTS LIST

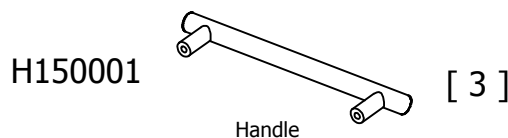
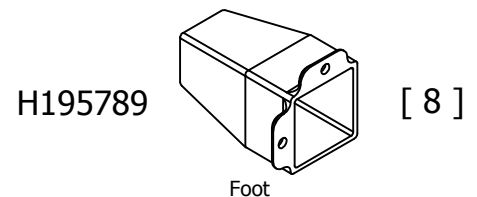
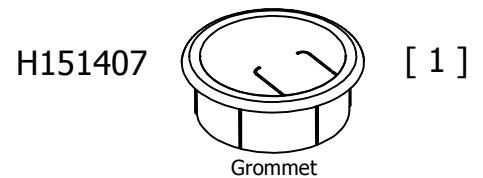
WC81030

A	W200553	[1]	N	W196055	[1]
B	W200552	[1]	O	W200724	[1]
C	W196045	[1]	P	W193865	[1]
D	W196046	[1]	Q	W200559	[1]
E	W196047	[1]	R	W193867	[1]
F	W196085	[1]	S	W193868	[1]
G	W196049	[1]	T	W106489	[2]
H	W196084	[1]	U	W176195	[1]
J	W193859	[1]	V	W107681	[2]
K	W193860	[1]	W	W107685	[1]
L	W196053	[1]	X	W87410	[2]
M	w196054	[1]			



WC81130

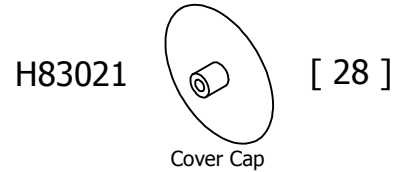
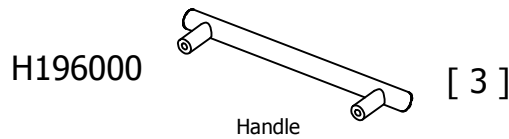
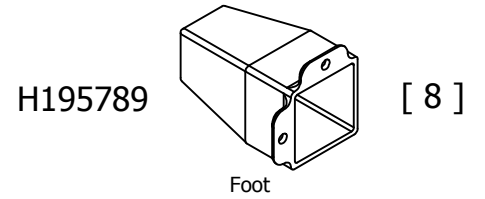
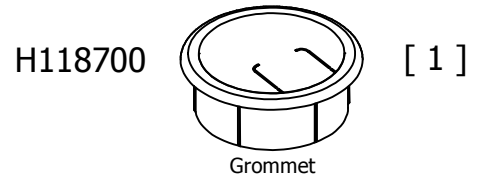
A	W200498	[1]	N	W200467	[1]
B	W200495	[1]	O	W200468	[1]
C	W200457	[1]	P	W200469	[1]
D	W200458	[1]	Q	W200472	[1]
E	W200459	[1]	R	W200470	[1]
F	W200497	[1]	S	W200471	[1]
G	W200461	[1]	T	W106489	[2]
H	W200496	[1]	U	W176195	[1]
J	W200463	[1]	V	W107681	[2]
K	W200464	[1]	W	W107685	[1]
L	W200465	[1]	X	W87410	[2]
M	W200466	[1]			



PARTS LIST

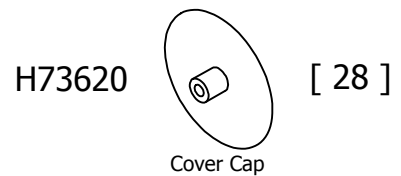
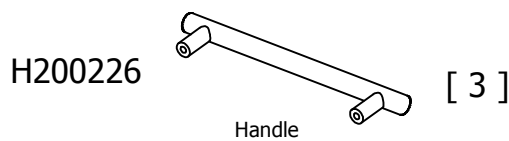
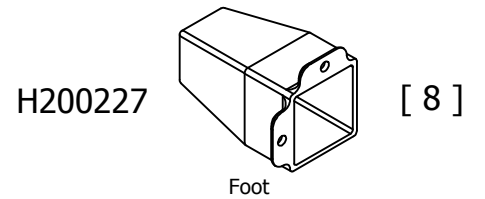
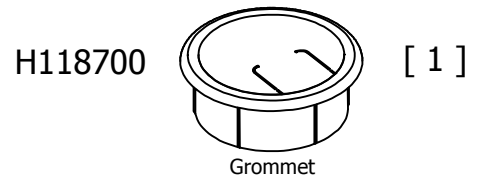
WC81230

A	W195879	[1]	N	W195848	[1]
B	W195876	[1]	O	W195849	[1]
C	W195838	[1]	P	W195850	[1]
D	W195839	[1]	Q	W195853	[1]
E	W195840	[1]	R	W195851	[1]
F	W195878	[1]	S	W195852	[1]
G	W195842	[1]	T	W106489	[2]
H	W195877	[1]	U	W176195	[1]
J	W195844	[1]	V	W107681	[2]
K	W195845	[1]	W	W107685	[1]
L	W195846	[1]	X	W87410	[2]
M	W195847	[1]			



WC81330

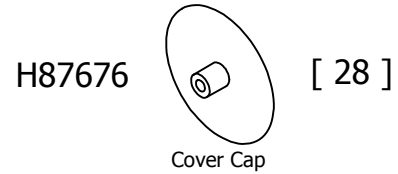
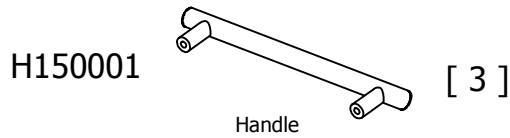
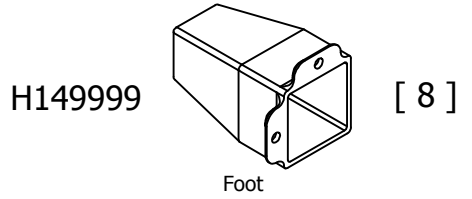
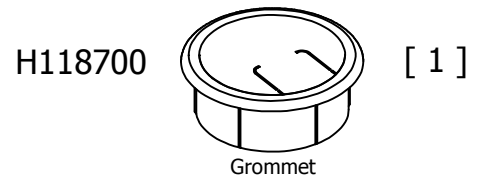
A	W200404	[1]	N	W200373	[1]
B	W200401	[1]	O	W200374	[1]
C	W200363	[1]	P	W200375	[1]
D	W200364	[1]	Q	W200378	[1]
E	W200365	[1]	R	W200376	[1]
F	W200403	[1]	S	W200377	[1]
G	W200367	[1]	T	W106489	[2]
H	W200402	[1]	U	W176195	[1]
J	W200369	[1]	V	W107681	[2]
K	W200370	[1]	W	W107685	[1]
L	W200371	[1]	X	W87410	[2]
M	W200372	[1]			



PARTS LIST

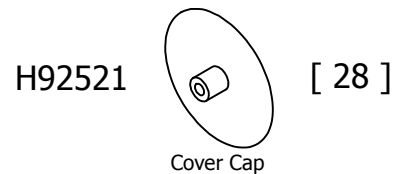
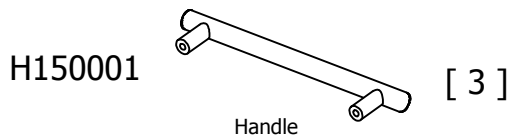
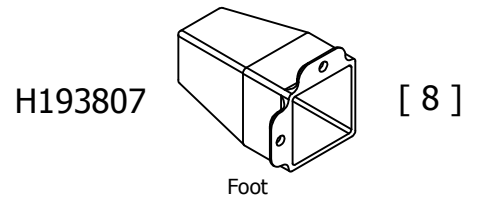
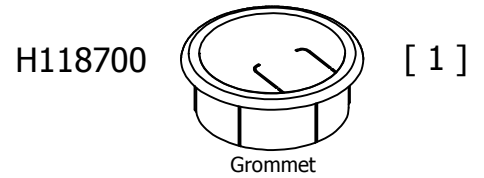
WC81430C

A	W187442	[1]	N	W187372	[1]
B	W187439	[1]	O	W187373	[1]
C	W187362	[1]	P	W187374	[1]
D	W187363	[1]	Q	W195729	[1]
E	W187364	[1]	R	W187376	[1]
F	W187441	[1]	S	W187377	[1]
G	W187366	[1]	T	W106489	[2]
H	W187440	[1]	U	W176195	[1]
J	W187368	[1]	V	W107681	[2]
K	W187369	[1]	W	W107685	[1]
L	W187370	[1]	X	W87410	[2]
M	W187371	[1]			



WC81530

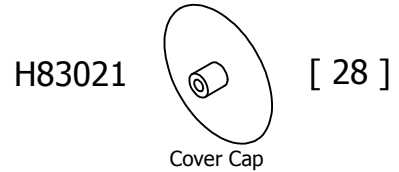
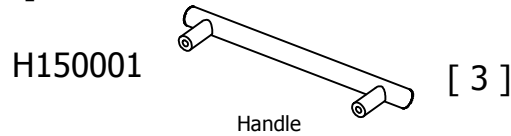
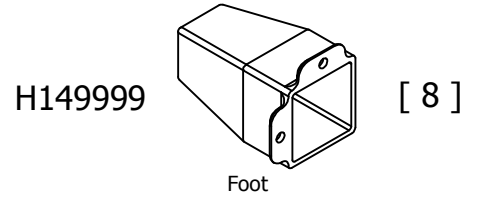
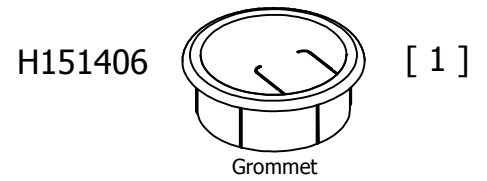
A	W193872	[1]	N	W193863	[1]
B	W193869	[1]	O	W193864	[1]
C	W193853	[1]	P	W193865	[1]
D	W193854	[1]	Q	W195730	[1]
E	W193855	[1]	R	W193867	[1]
F	W193871	[1]	S	W193868	[1]
G	W193857	[1]	T	W106489	[2]
H	W193870	[1]	U	W176195	[1]
J	W193859	[1]	V	W107681	[2]
K	W193860	[1]	W	W107685	[1]
L	W193861	[1]	X	W87410	[2]
M	W193862	[1]			



PARTS LIST

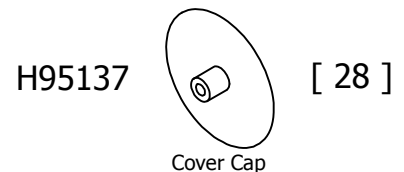
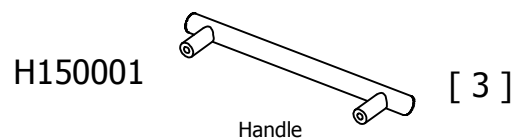
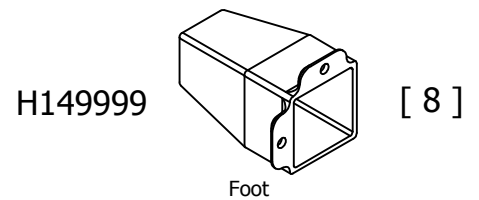
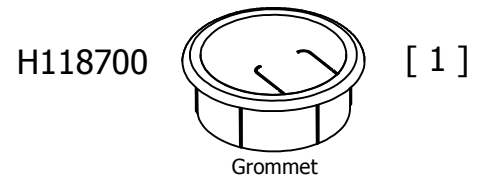
WC81630

A	W186367	[1]	N	W186350	[1]
B	W186368	[1]	O	W186375	[1]
C	W186351	[1]	P	W186365	[1]
D	W186352	[1]	Q	W195731	[1]
E	W186353	[1]	R	W186363	[1]
F	W186369	[1]	S	W186364	[1]
G	W186354	[1]	T	W106489	[2]
H	W186370	[1]	U	W176195	[1]
J	W186355	[1]	V	W107681	[2]
K	W186356	[1]	W	W107685	[1]
L	W186357	[1]	X	W87410	[2]
M	W186358	[1]			



WC81730C

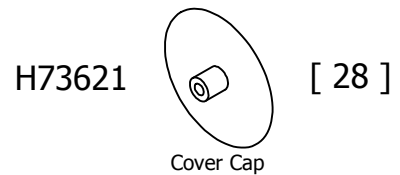
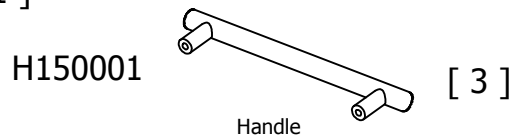
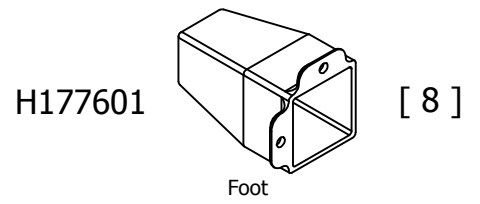
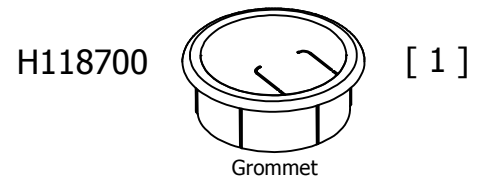
A	W187446	[1]	N	W187390	[1]
B	W187443	[1]	O	W187391	[1]
C	W187380	[1]	P	W187392	[1]
D	W187381	[1]	Q	W195732	[1]
E	W187382	[1]	R	W187394	[1]
F	W187445	[1]	S	W187395	[1]
G	W187384	[1]	T	W106489	[2]
H	W187444	[1]	U	W176195	[1]
J	W187386	[1]	V	W107681	[2]
K	W187387	[1]	W	W107685	[1]
L	W187388	[1]	X	W87410	[2]
M	W187389	[1]			



PARTS LIST

WC81830C

A	W187450	[1]	N	W187408	[1]
B	W187447	[1]	O	W187409	[1]
C	W187398	[1]	P	W187410	[1]
D	W187399	[1]	Q	W195733	[1]
E	W187400	[1]	R	W187412	[1]
F	W187449	[1]	S	W187413	[1]
G	W187402	[1]	T	W106489	[2]
H	W187448	[1]	U	W176195	[1]
J	W187404	[1]	V	W107681	[2]
K	W187405	[1]	W	W107685	[1]
L	W187406	[1]	X	W87410	[2]
M	W187407	[1]			



WC81930

A	W196086	[1]	N	W196055	[1]
B	W196083	[1]	O	W196056	[1]
C	W196045	[1]	P	W196057	[1]
D	W196046	[1]	Q	W196060	[1]
E	W196047	[1]	R	W196058	[1]
F	W196085	[1]	S	W196059	[1]
G	W196049	[1]	T	W106489	[2]
H	W196084	[1]	U	W176195	[1]
J	W196051	[1]	V	W107681	[2]
K	W196052	[1]	W	W107685	[1]
L	W196053	[1]	X	W87410	[2]
M	W196054	[1]			

