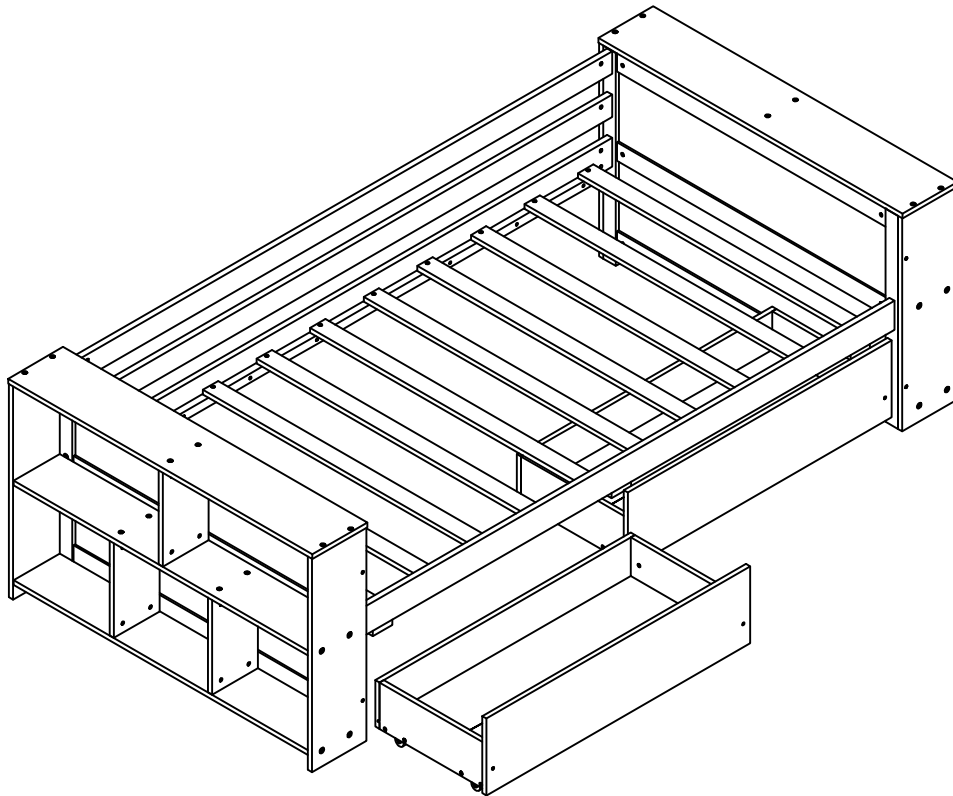
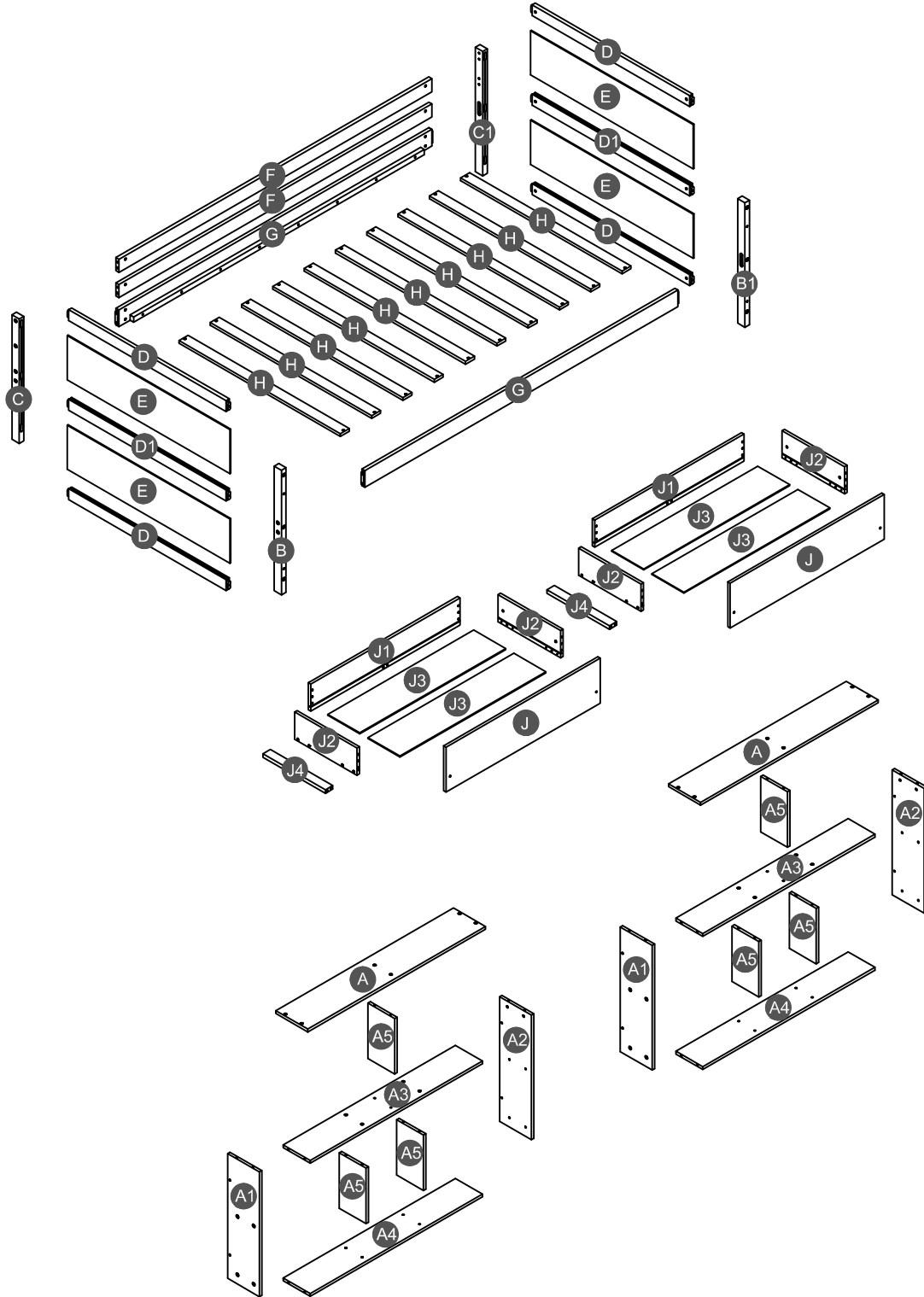


# ASSEMBLY INSTRUCTIONS

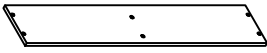
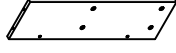
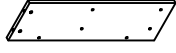
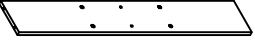
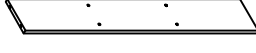
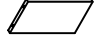

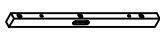




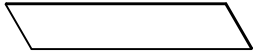






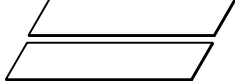

## TWIN DAY BED WITH BOOKCASE AND 2 DRAWERS



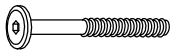
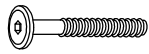



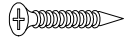
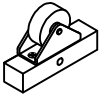
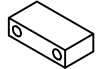
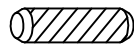
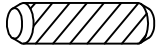

# Detail View



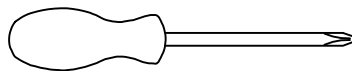
# Part List

<p><b>A</b></p>  <p>Top panel - 2pcs</p>	<p><b>A1</b></p>  <p>Side panel (Left) - 2pcs</p>	<p><b>A2</b></p>  <p>Side panel (Right) - 2pcs</p>
<p><b>A3</b></p>  <p>Shelf panel - 2pcs</p>	<p><b>A4</b></p>  <p>Bottom panel - 2pcs</p>	<p><b>A5</b></p>  <p>Divider panel - 6pcs</p>
<p><b>B</b></p>  <p>Leg (Left Front) - 1pc</p>	<p><b>B1</b></p>  <p>Leg (Right Front) - 1pc</p>	<p><b>C</b></p>  <p>Leg (Left Back) - 1pc</p>
<p><b>C1</b></p>  <p>Leg (Right Back) - 1pc</p>	<p><b>D</b></p>  <p>Horizontal bar - 4pcs</p>	<p><b>D1</b></p>  <p>Divider Horizontal bar - 2pcs</p>
<p><b>E</b></p>  <p>Side panel - 4pcs</p>	<p><b>F</b></p>  <p>Long guard rail - 2pcs</p>	<p><b>G</b></p>  <p>Side rail - 2pcs</p>
<p><b>H</b></p>  <p>Slats - 10pcs</p>	<p><b>J</b></p>  <p>Front drawer panel - 2pcs</p>	<p><b>J1</b></p>  <p>Back drawer panel - 2pcs</p>
<p><b>J2</b></p>  <p>Left / right drawer panel - 4pcs</p>	<p><b>J3</b></p>  <p>Drawer bottom - 4pcs</p>	<p><b>J4</b></p>  <p>Support drawer - 2pcs</p>

# Hardware List

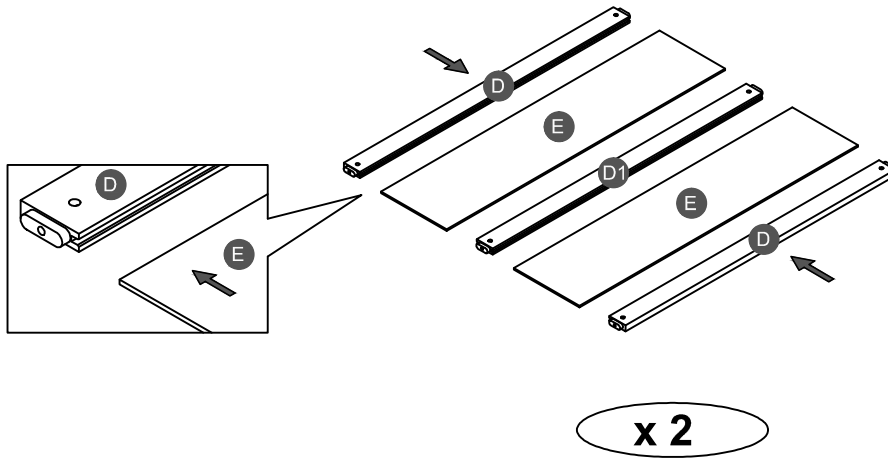
<b>1</b>  (Ø15)1/4"*80mm	<b>2</b>  (Ø12)1/4"*60mm	<b>3</b>  (Ø12)1/4"*30mm
Hex-Head bolts (24pcs)	Hex-Head bolts (56pcs)	Hex-Head bolts (8pcs)
<b>4</b>  (1/4")4.5*58mm	<b>5</b>  1/4"*15 (9.5mm)	<b>6</b>  Ø4*30mm
Allen key (1pc)	Horizontal-Hole bolts(80pcs)	Wood screws (42pcs)
<b>7</b>  100*54*20 mm	<b>8</b>  70*35*19 mm	<b>9</b>  Ø8*30mm
Wheels (8pcs)	Drawer stopper (3pcs)	Wood dowel (24pcs)
<b>10</b>  Ø10*40mm	<b>11</b>  Ø10*20mm	
Wood dowel (4pcs)	Wood dowel (8pcs)	

## ASSEMBLY TOOLS REQUIRED ( NOT INCLUDED )

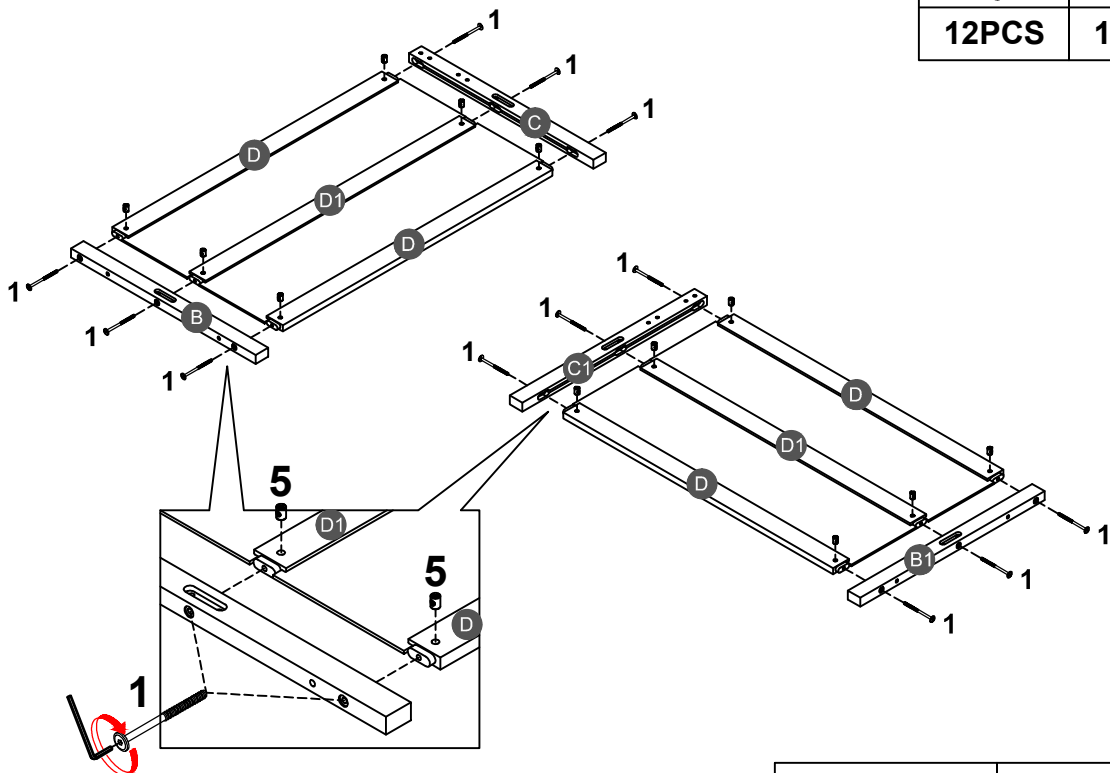




PLEASE BE CAREFUL DO NOT DAMAGE THE HOLE POSITION WHEN YOU USE POWER TOOLS !

**STEP 1:**

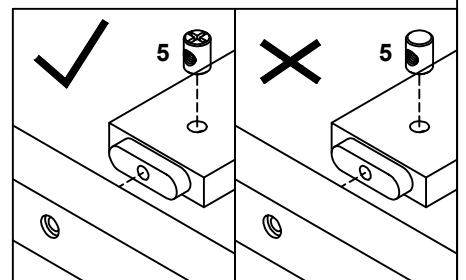


**STEP 2:**


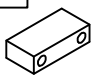


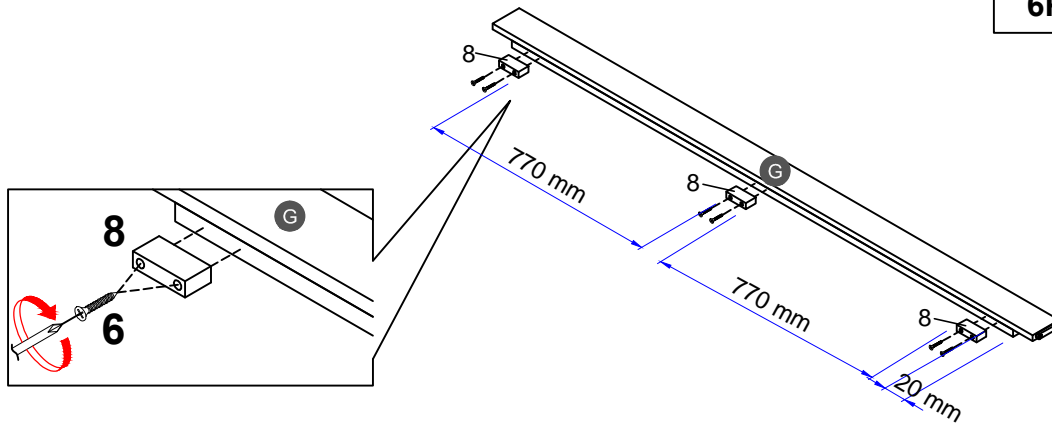
<b>1</b>	<b>5</b>
	
<b>12PCS</b>	<b>12PCS</b>

Note: Part 5 will face up with the "x" mark on it, otherwise it cannot be tightened






**STEP 3:**

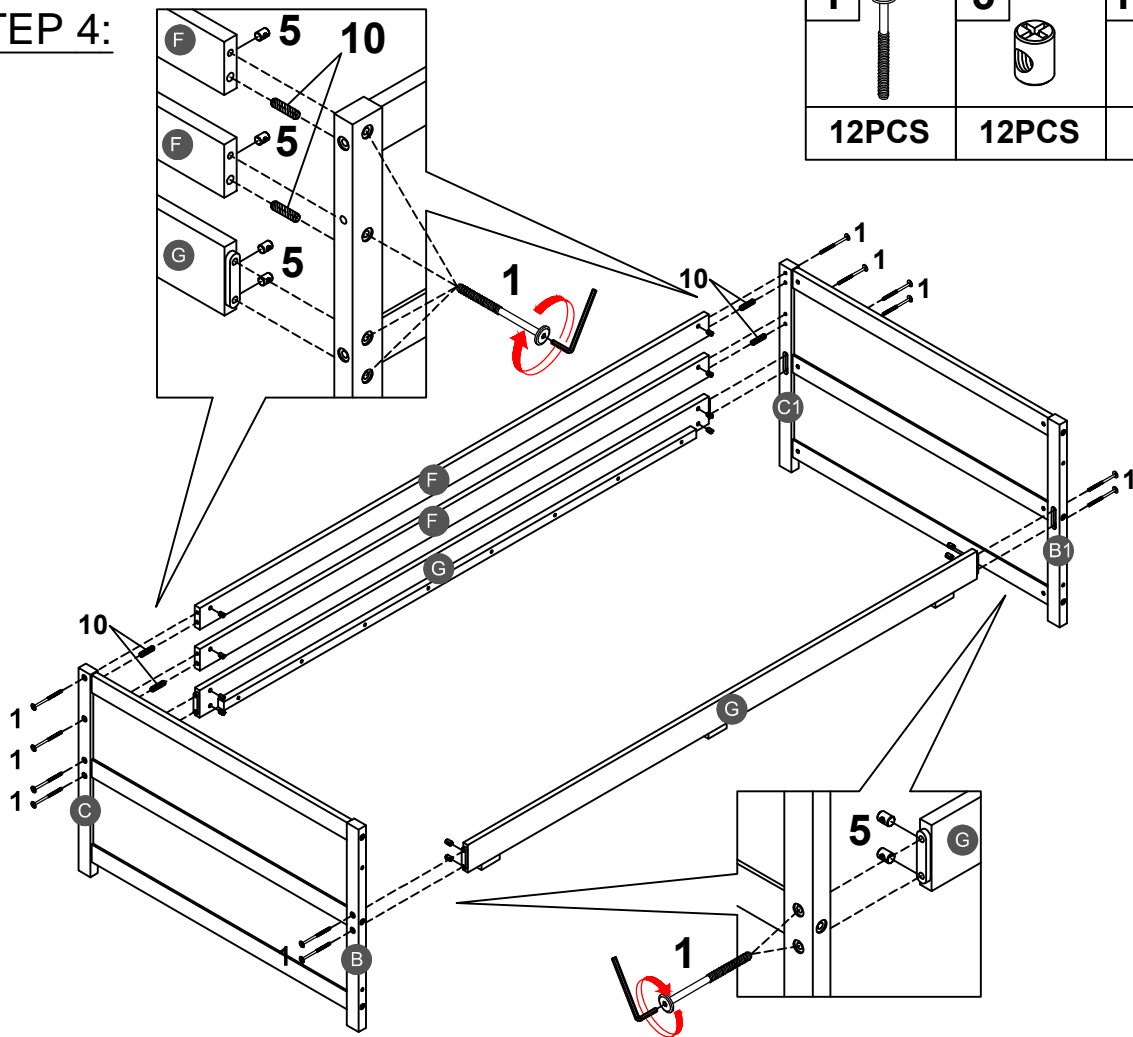
<b>6</b>		<b>8</b>	
<b>6PCS</b>		<b>3PCS</b>	



Drawer stopper (8) with lower side rail front (G) by using screw (6).

**STEP 4:**

<b>1</b>		<b>5</b>		<b>10</b>	
<b>12PCS</b>		<b>12PCS</b>		<b>4PCS</b>	

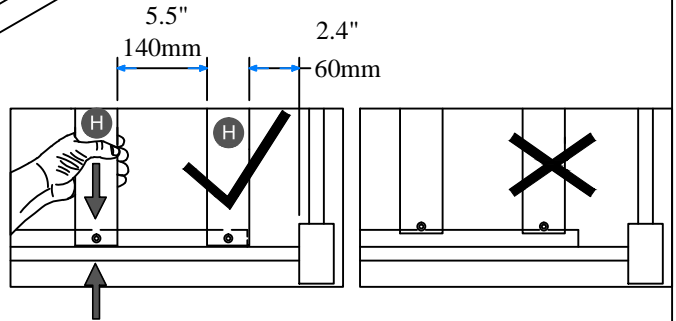
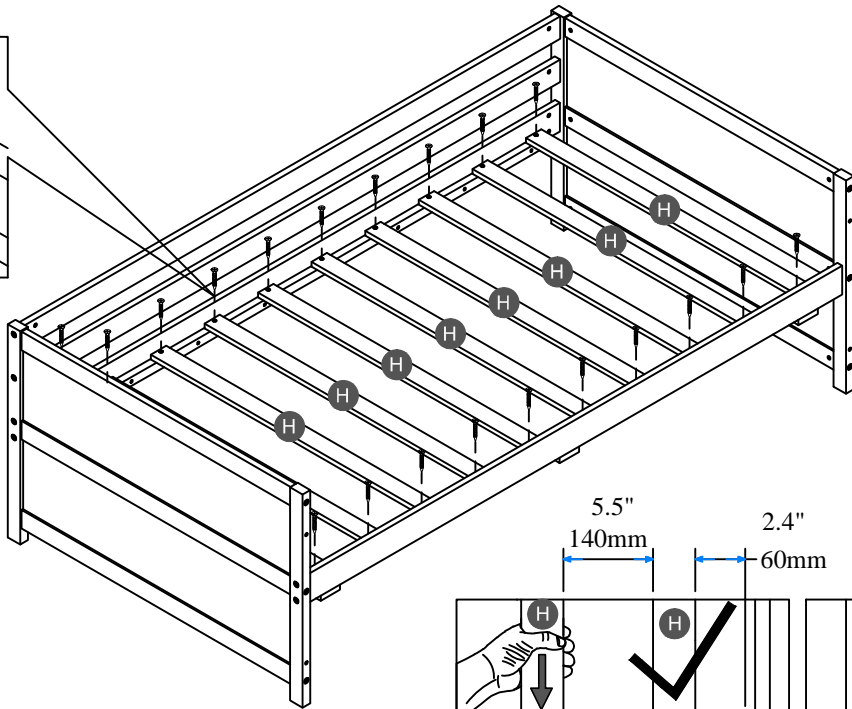
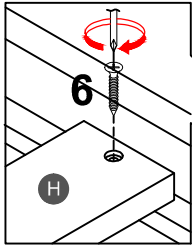


**STEP 5:**

6



20PCS



**NOTE:** Please make sure the bed slats close to the side rail before locking the screws to avoid breakage. This step is required for both the left and right sides. Moreover, please do not lock the screws of the bed slats at the outermost edge to avoid damaging.

**STEP 6:**

2

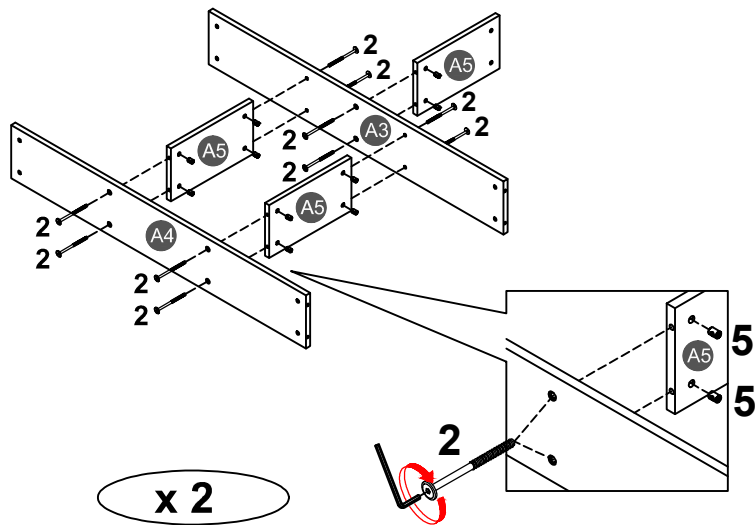


20PCS



5

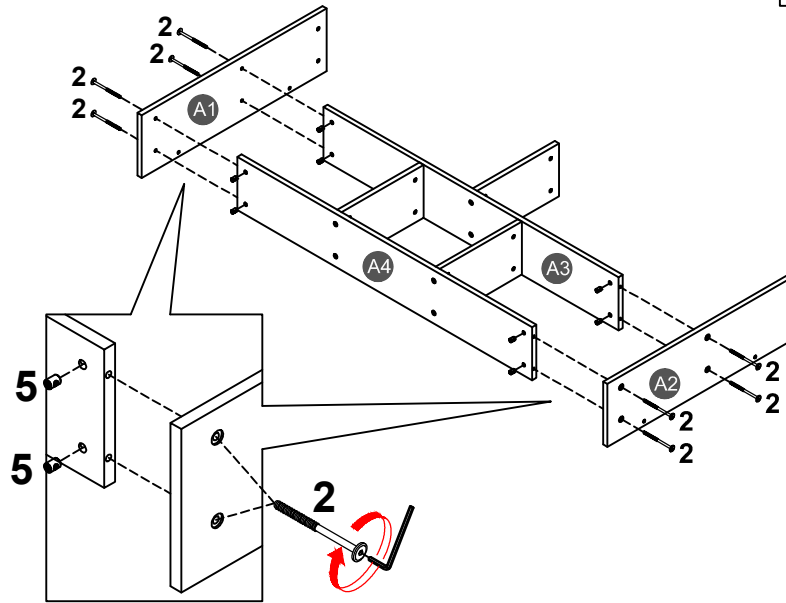


20PCS





**STEP 7:**

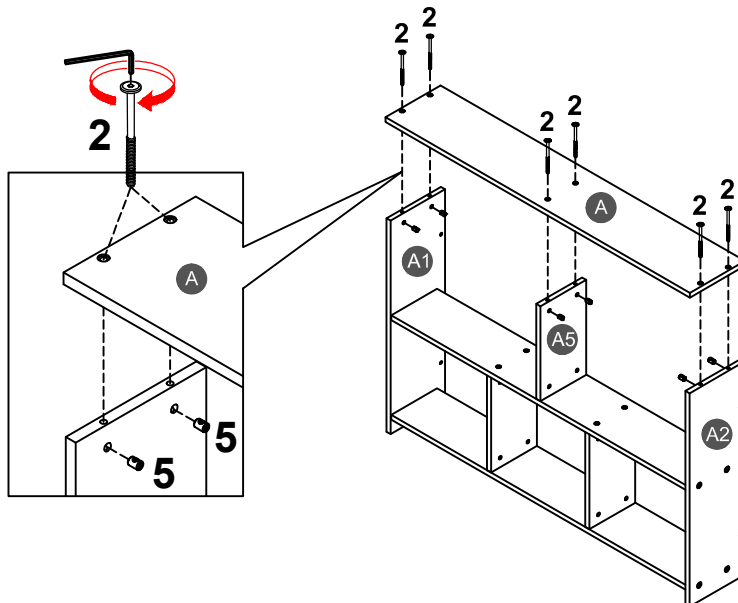
<b>2</b>		<b>5</b>	
<b>16PCS</b>		<b>16PCS</b>	



**x 2**

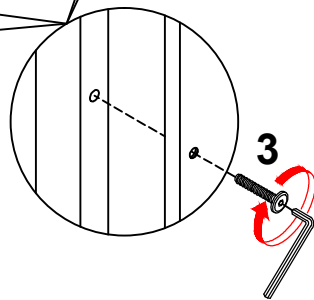
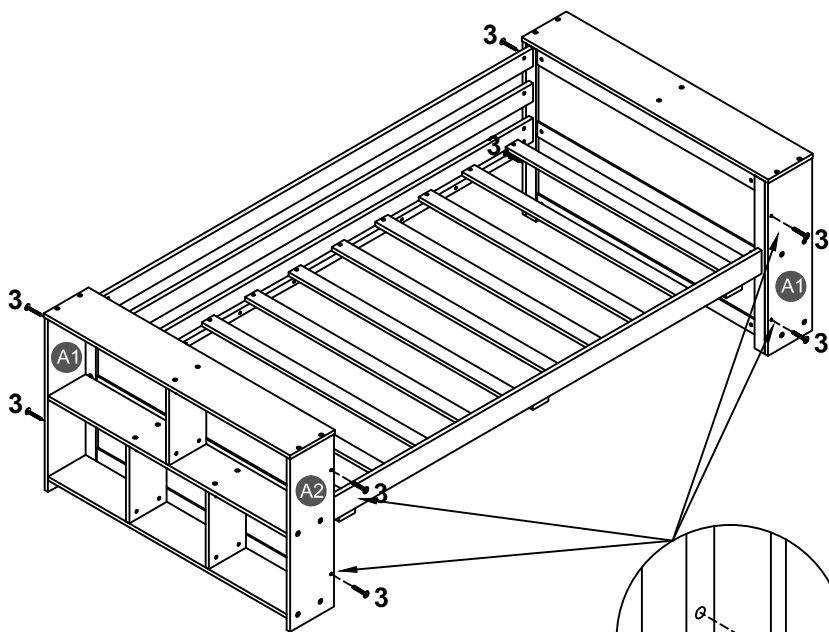
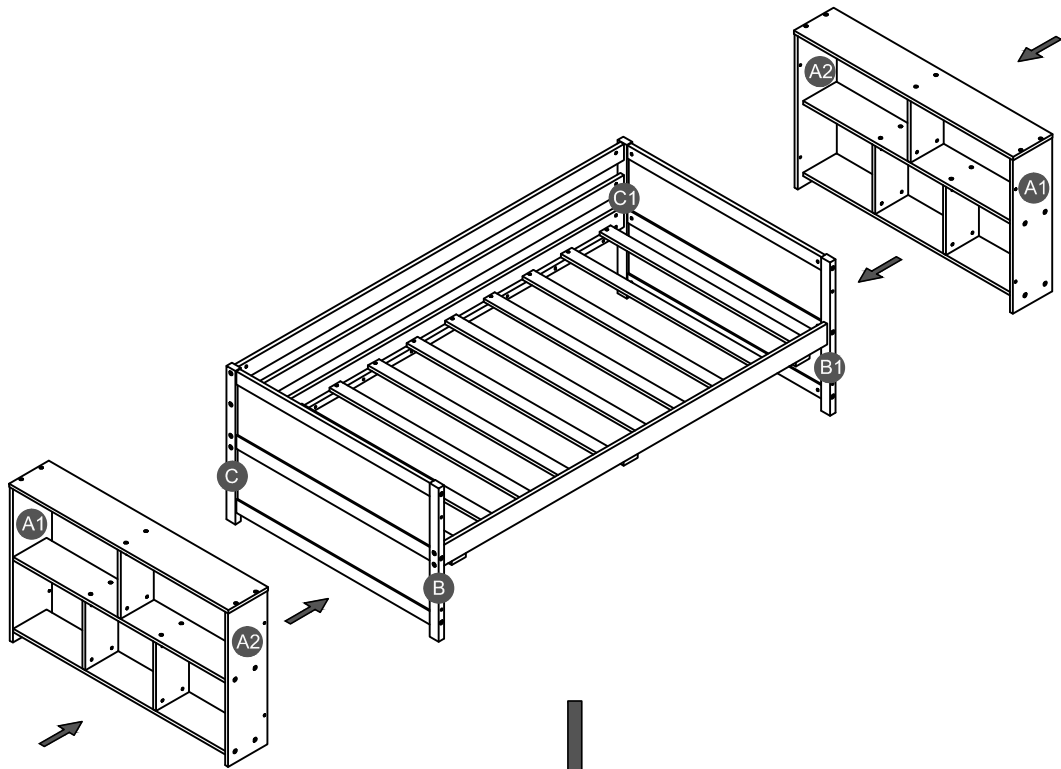
**STEP 8:**


<b>2</b>		<b>5</b>	
<b>12PCS</b>		<b>12PCS</b>	






**x 2**

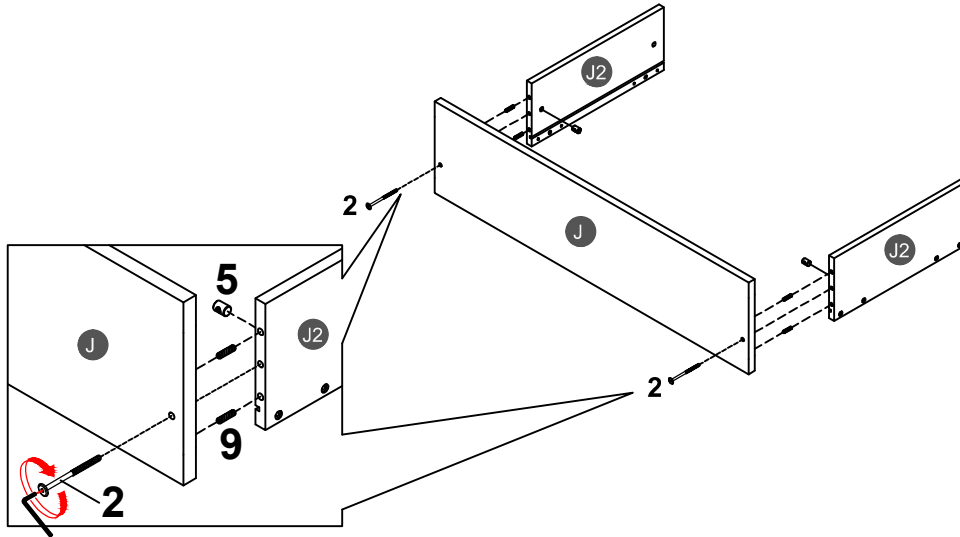
**STEP 9:**



<b>3</b>	
<b>8PCS</b>	




**STEP 10:**

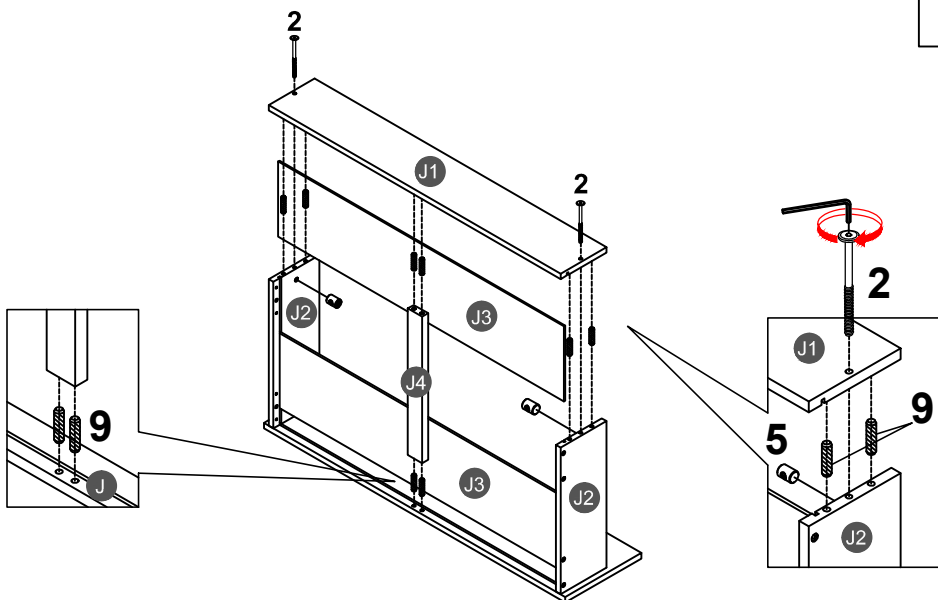
<b>2</b>		<b>5</b>		<b>9</b>	
<b>4PCS</b>		<b>4PCS</b>		<b>8PCS</b>	



**2pcs**




**STEP 11:**

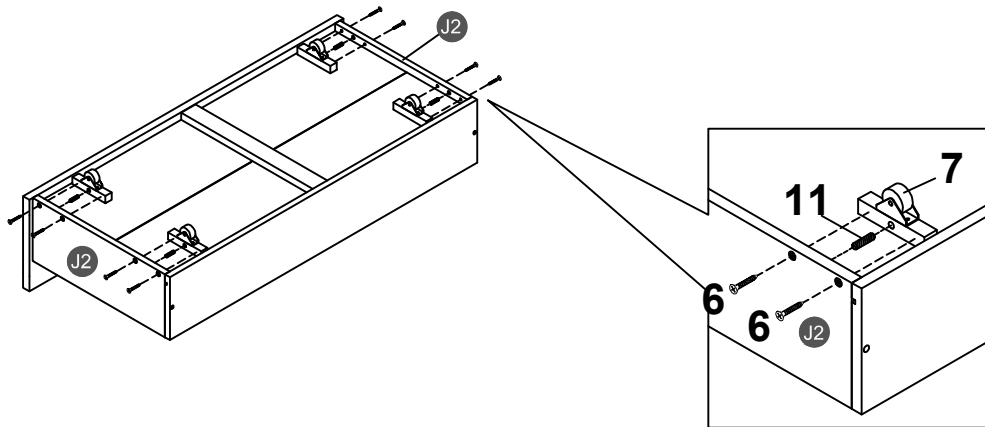
<b>2</b>		<b>5</b>	
<b>4PCS</b>		<b>4PCS</b>	
		<b>9</b>	
<b>16PCS</b>			



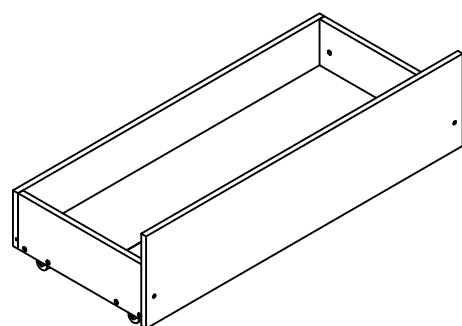
**2pcs**

**STEP 12:**

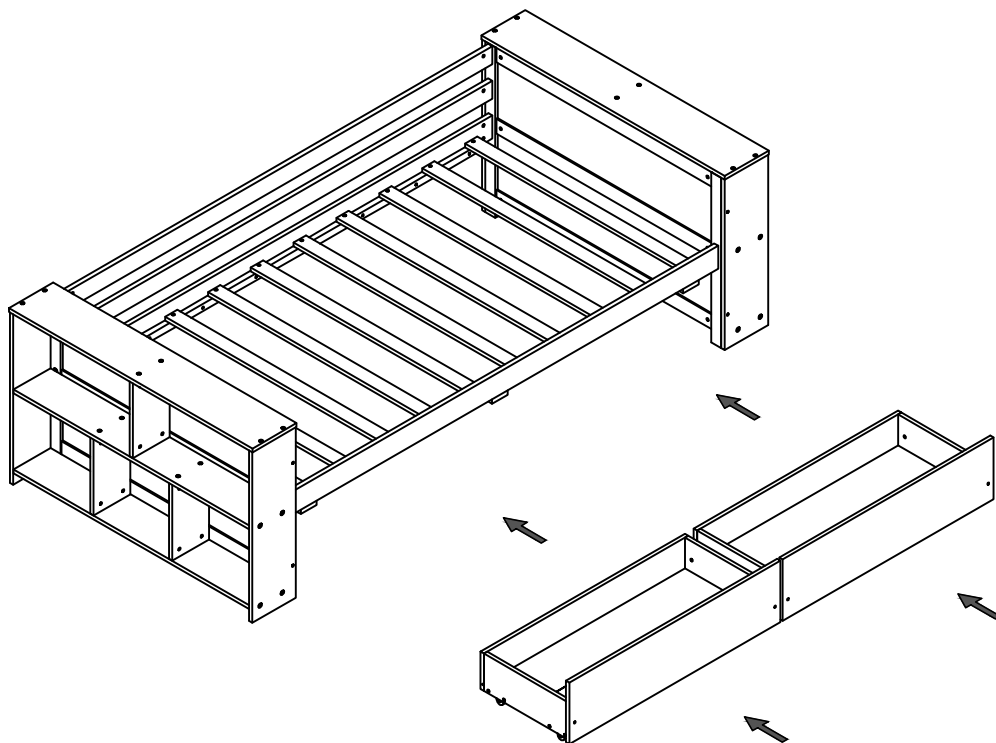
<b>6</b>		<b>7</b>		<b>11</b>	
<b>16PCS</b>		<b>8PCS</b>		<b>8PCS</b>	



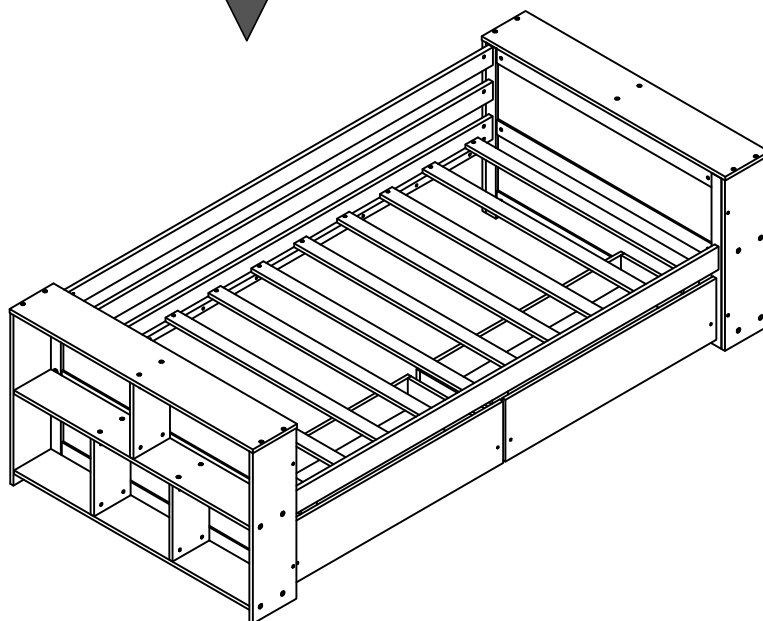
**2pcs**



**STEP 13:**



Push Drawers under the bottom of daybed.



**Make sure to tighten all the screws of the bed.**