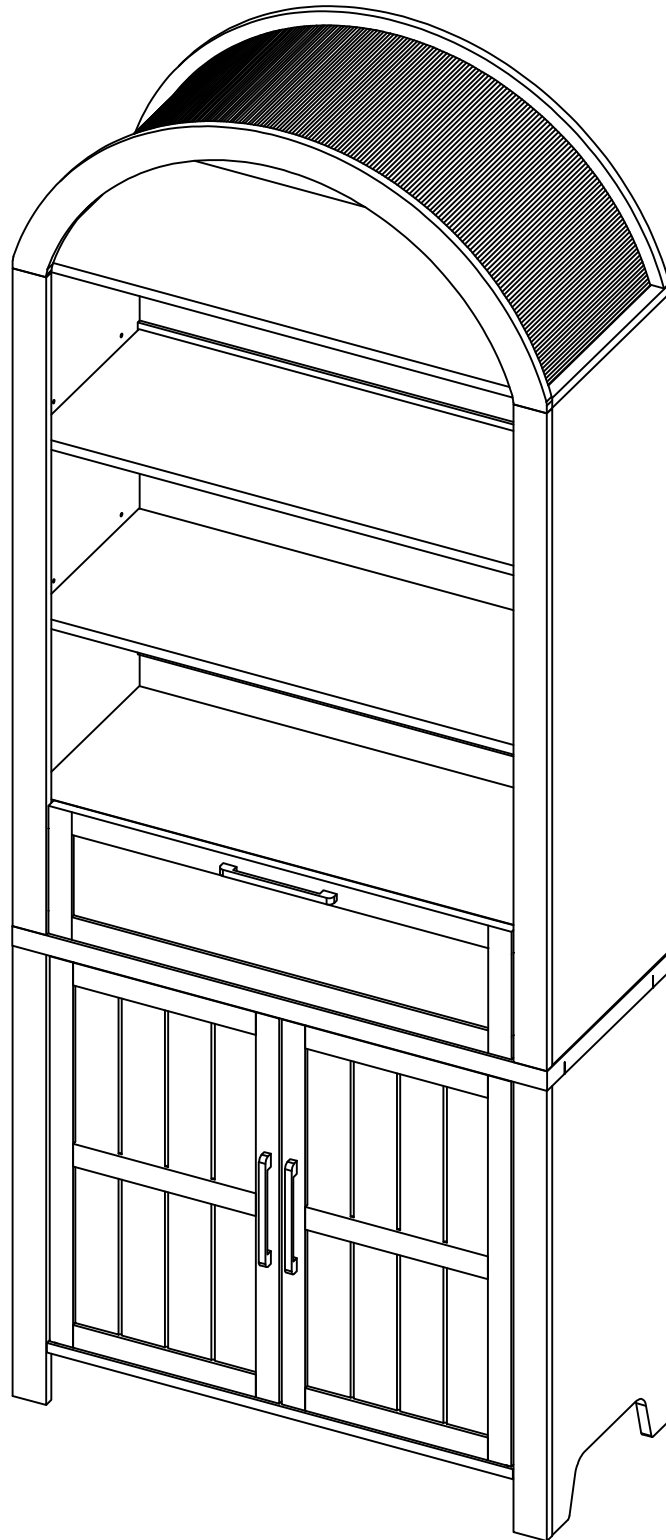
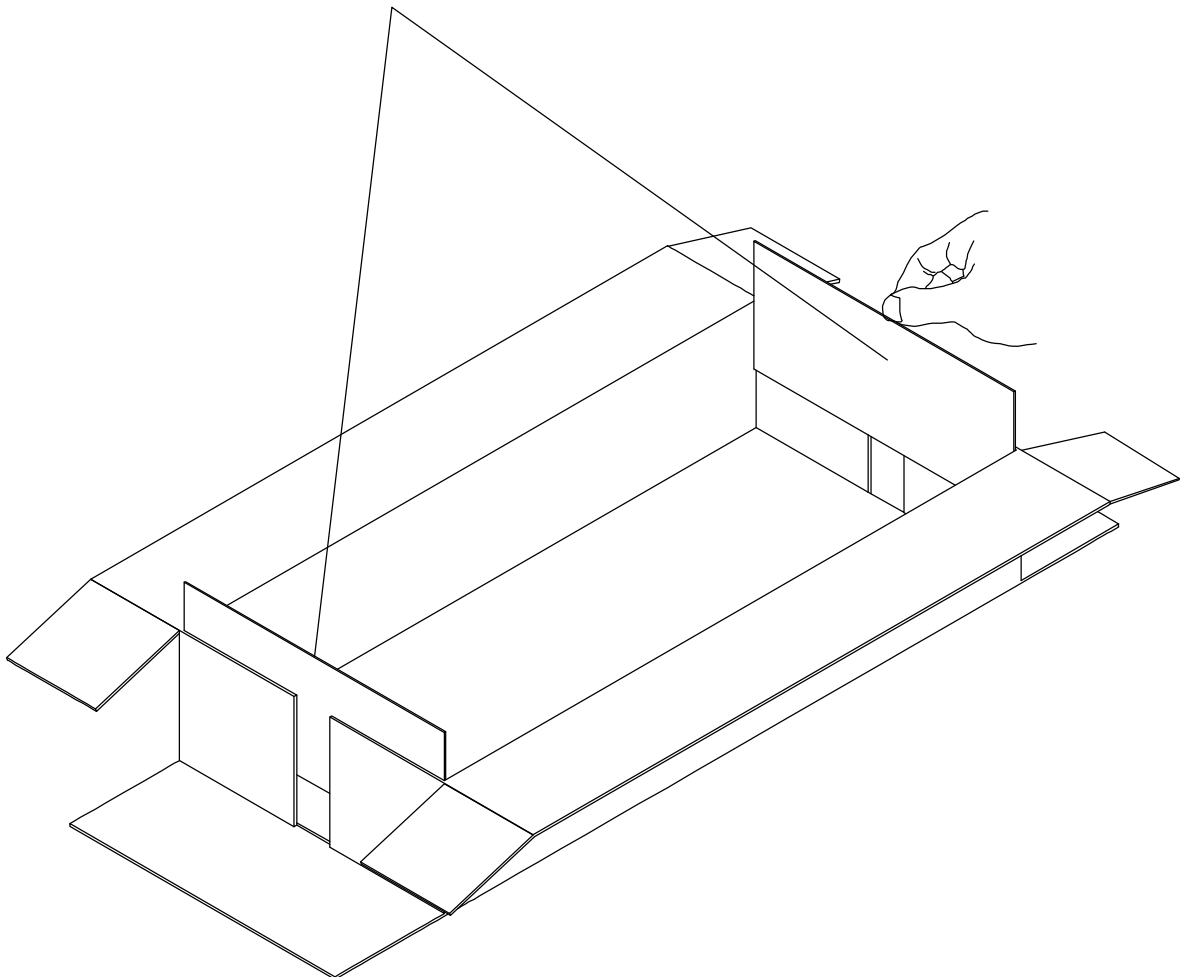


Installation instruction





The two panels on the left and right of the package are used to protect the product, you can just throw it away.

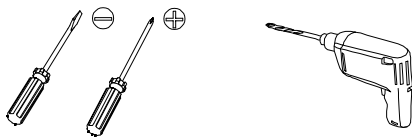


Assembling

What you need

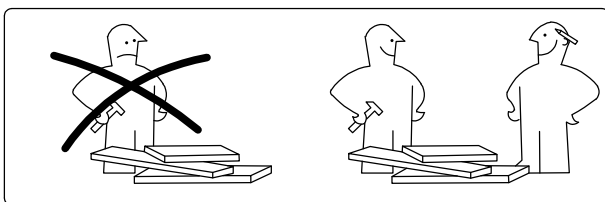
- Use the packaging carton as a working surface to prevent product damage during assembly

Tool Required Not Provided



Use electric tools with care.

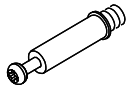
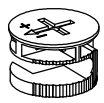
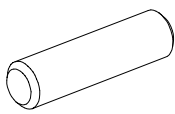

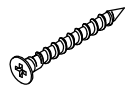
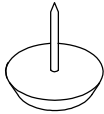
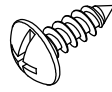
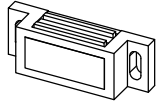
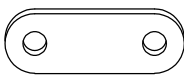
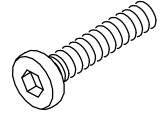
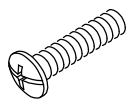
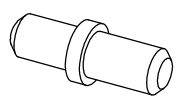
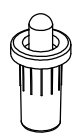
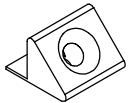
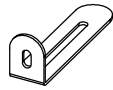
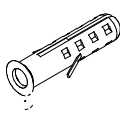

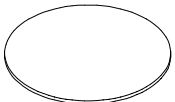
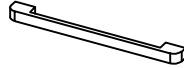
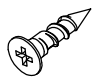
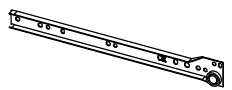
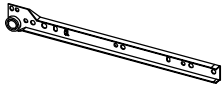

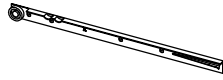
Weight Limitation



What' included

Code	Description	Qty
A	Cam Bolt M6X35MM	65
B	Cam Lock 15X9MM	65
C	Wooden Dowel M8X30MM	30
D	Screw M3.0X14MM	36
E	Screw M4X35MM	11
F	Plastic foot nail	4
G	Screw M4X14MM	2
H	Ron absorption	4
I	Metal iron sheet	4
J	Screw M6X40MM	4
K	Screw M4X20MM	6
L	Shelf Holder	12
M	Door latch	4
N	Silicone gasket	20
O	Anti-tilt iron sheet	2
P	Expansion tube	2
Q	Screw wrench	1
R	Plank sticker	41
S	Metal shake handhandle	3
T	Screw M3.5X14MM	8
CL	Left mother extended orbit	1
CR	Right mother extended orbit	1
DL	Left public extension track	1
DR	Right public extends track	1

The Hardwares

<p>A x 65</p>  <p>Ø6×35 mm</p>	<p>B x 65</p>  <p>Ø15×9 mm</p>	<p>C x 30</p>  <p>Ø8×30 mm</p>	<p>D x 36</p>  <p>Ø3.0×14 mm</p>	<p>E x 11</p>  <p>Ø4×35 mm</p>
<p>F x 4</p> 	<p>G x 2</p>  <p>Ø4×14 mm</p>	<p>H x 4</p> 	<p>I x 4</p> 	<p>J x 4</p>  <p>M6×40 mm</p>
<p>K x 6</p>  <p>Ø4×20 mm</p>	<p>L x 12</p> 	<p>M x 4</p> 	<p>N x 20</p> 	<p>O x 2</p> 
<p>P x 2</p> 	<p>Q x 1</p>  <p>4 mm</p>	<p>R x 41</p> 	<p>S x 3</p> 	<p>T x 8</p>  <p>Ø3.5×14 mm</p>
<p>CR x 1</p>  <p>300 mm</p>	<p>CL x 1</p>  <p>300 mm</p>	<p>DR x 1</p>  <p>300 mm</p>	<p>DL x 1</p>  <p>300 mm</p>	

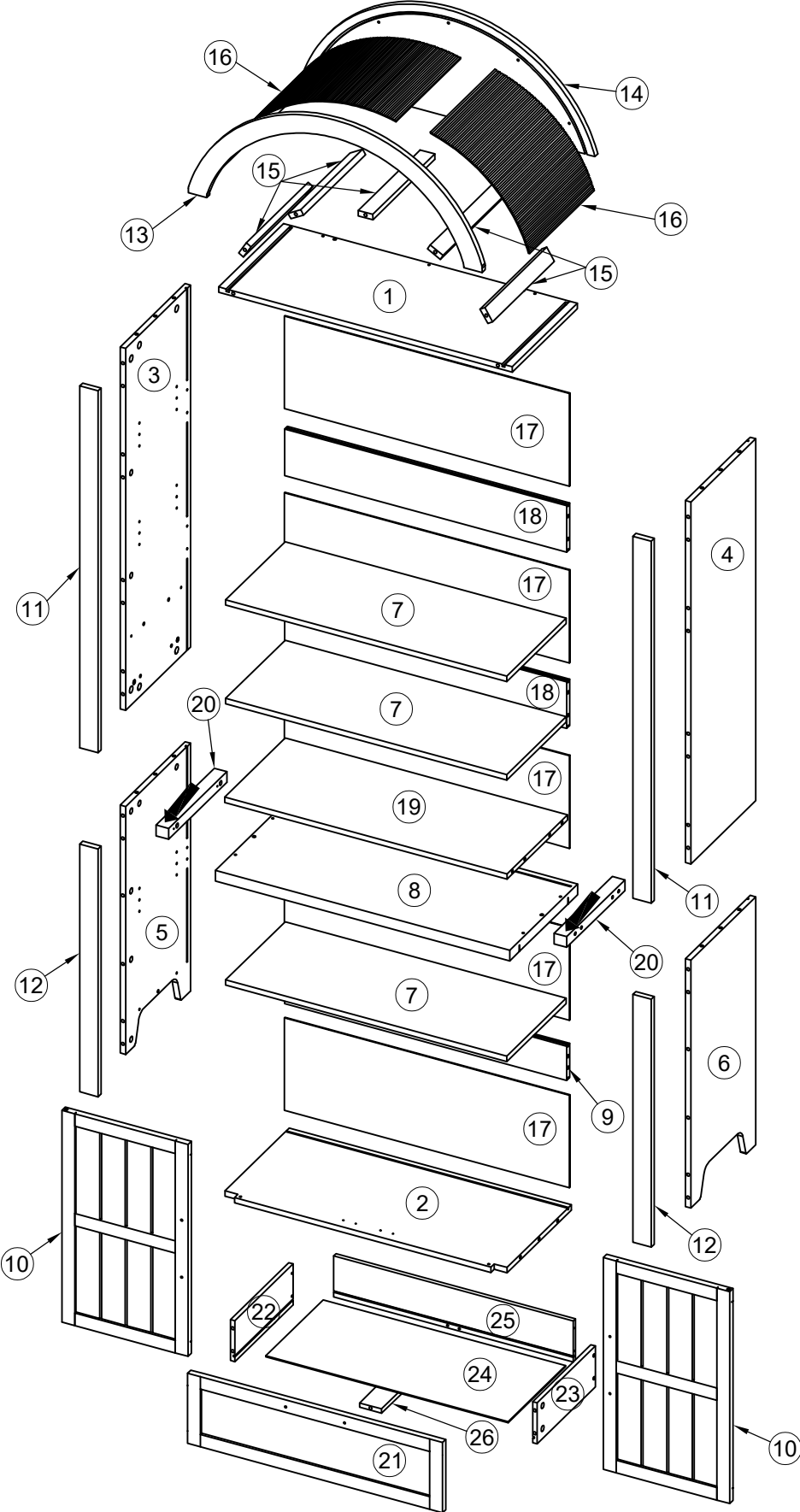
IMPORTANT:

1. Do not tighten bolts / screws completely until all bolts / screws are lined up and inserted into holes.
2. Do not over tighten screws and bolts to avoid stripping
3. You can use a screwdriver or an electric tool (be careful when using an electric tool).

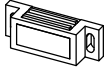

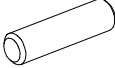

Included Accessories

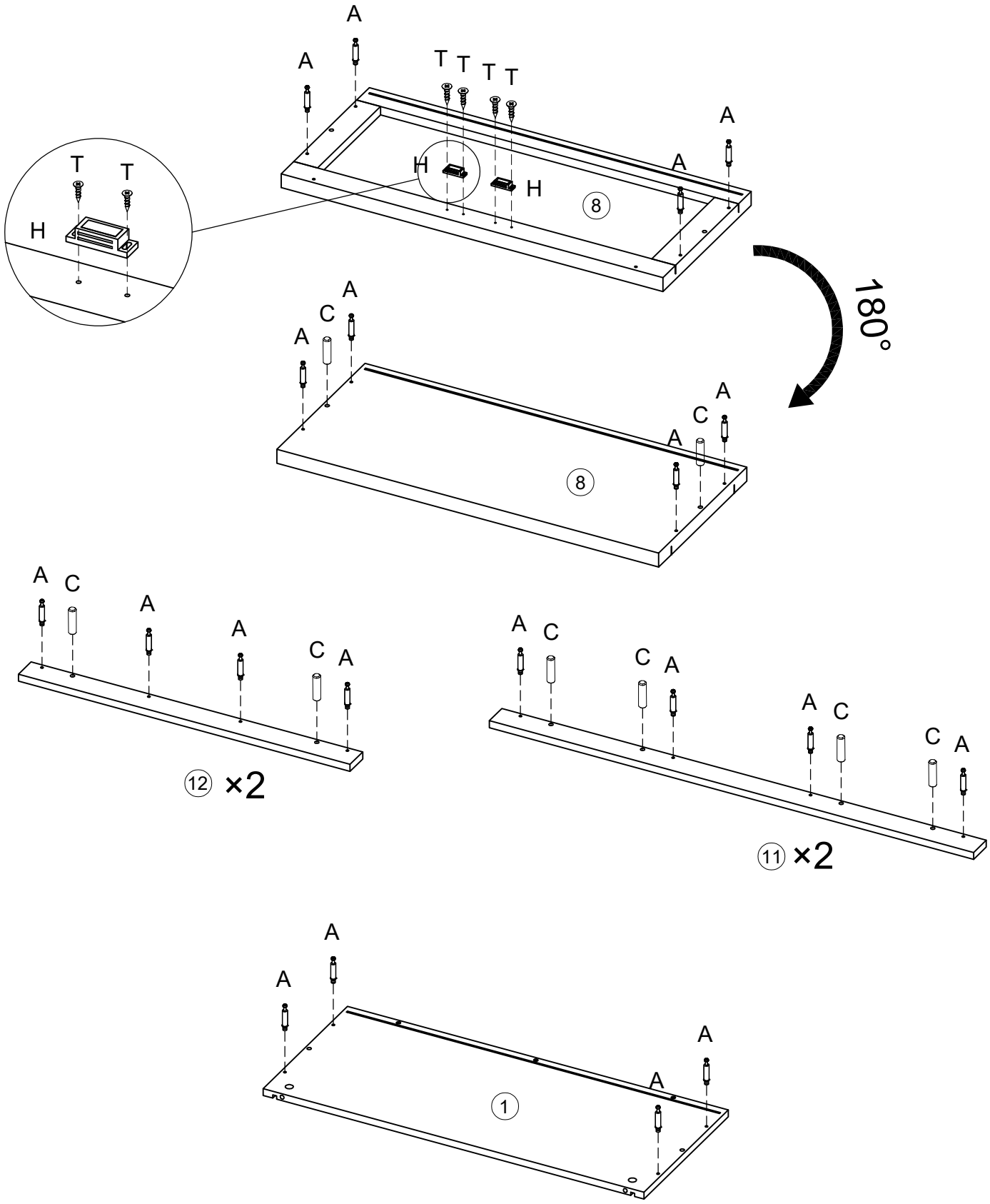
Code	Description	Qty
1	Panel	1
2	Bottom plate	1
3	Upper left side plate	1
4	Upper right side plate	1
5	Lower left side plate	1
6	Lower right side plate	1
7	Movable pressure plate	3
8	Intermediate laminate	1
9	Lower rear pull plate	1
10	Door plank	2
11	Upper baffle	2
12	Lower baffle	2
13	Front arched plate	1
14	Rear arched plate	1
15	Reinforcement strip	5
16	Grooved thin plate	2
17	Backboard	5
18	Upper rear pull plate	2
19	Upper laminate	1
20	Drawer strip	2
21	Drawer panel	1
22	Drawer left side panel	1
23	Drawer right side panel	1
24	Drawer bottom plate	1
25	Back panel of drawer	1
26	Drawer reinforcement plate	1

The Accessories

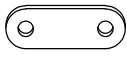

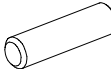





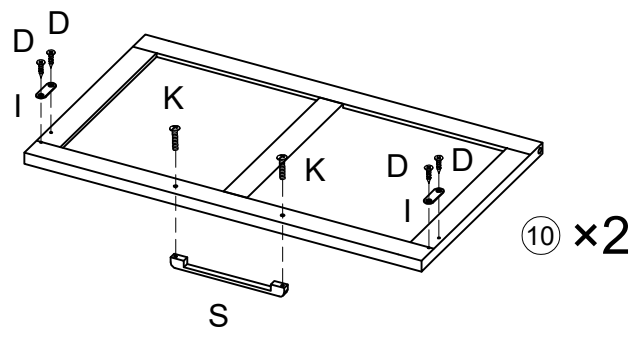
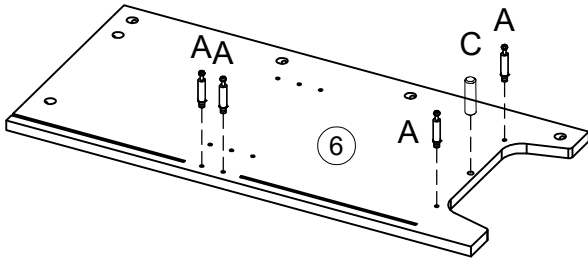
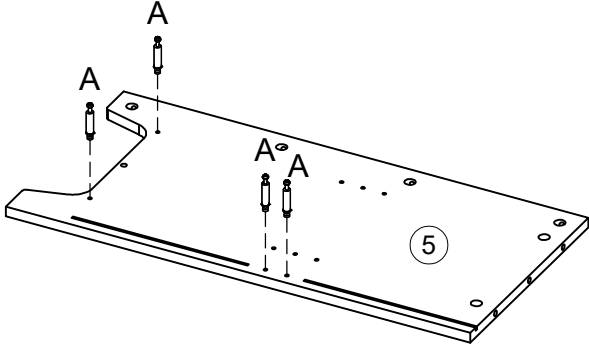
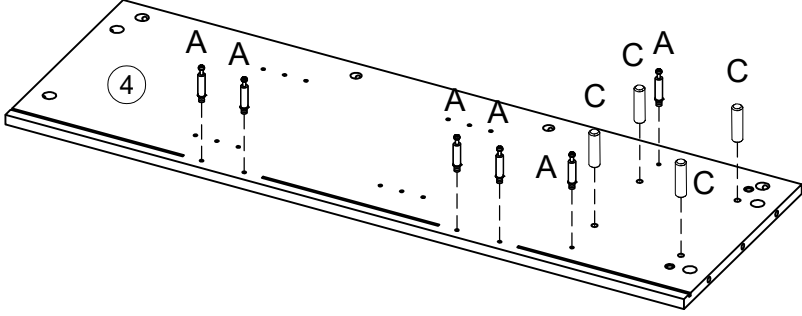
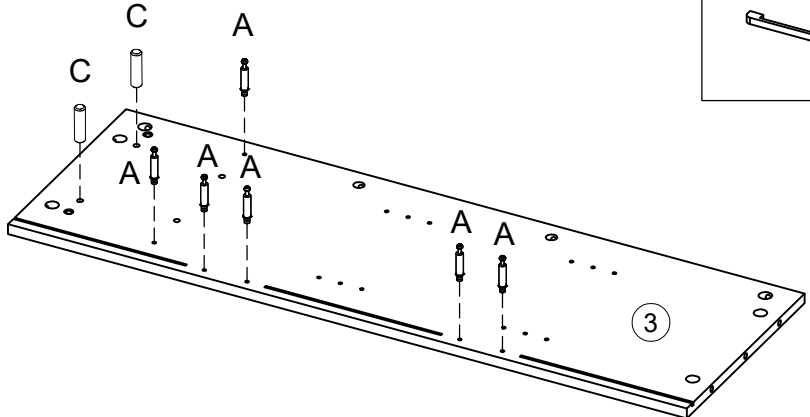
Step 1

<p>H x 2</p> 	<p>T x 4</p>  <p>Ø3.5x14 mm</p>	<p>C x 14</p>  <p>Ø8x30 mm</p>	<p>A x 28</p>  <p>Ø6x35 mm</p>
--	--	---	---

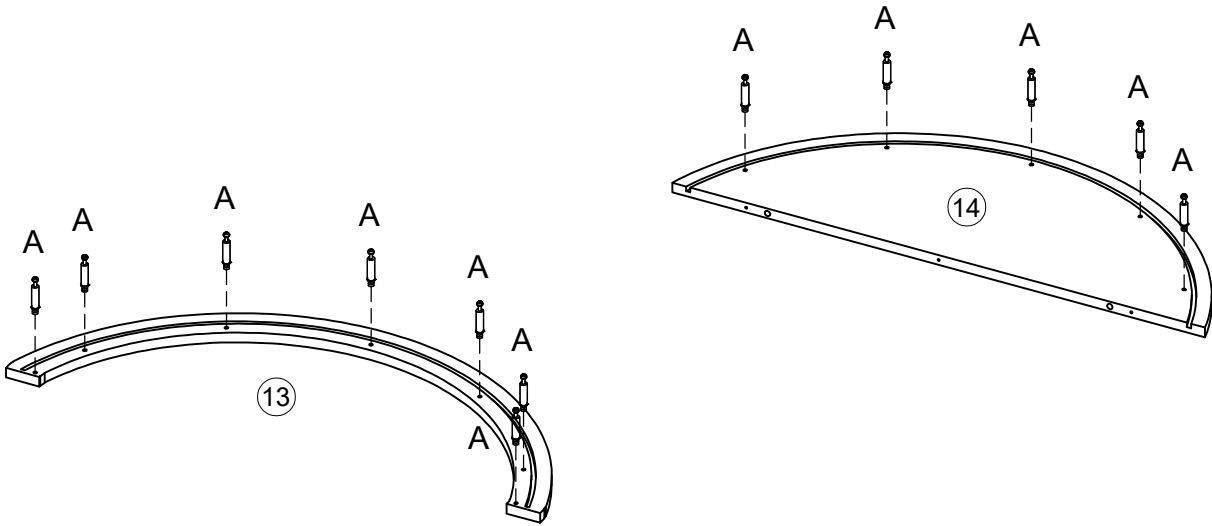
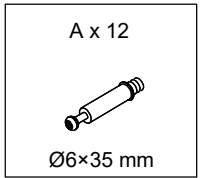


Step 2



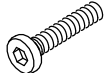

<p>I x 4</p> 	<p>D x 8</p>  <p>Ø3.0x14 mm</p>	<p>C x 7</p>  <p>Ø8x30 mm</p>	<p>A x 20</p>  <p>Ø6x35 mm</p>
		<p>S x 2</p> 	<p>K x 4</p>  <p>Ø4x20 mm</p>

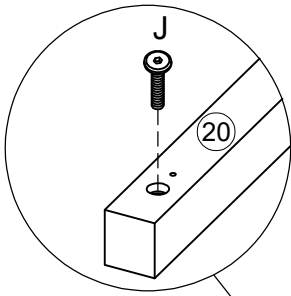


Step 3

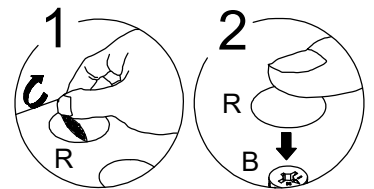


Step 4

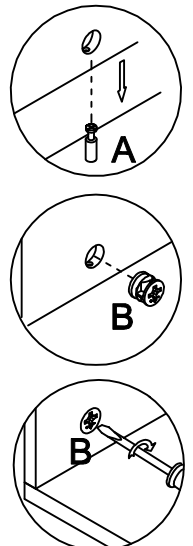
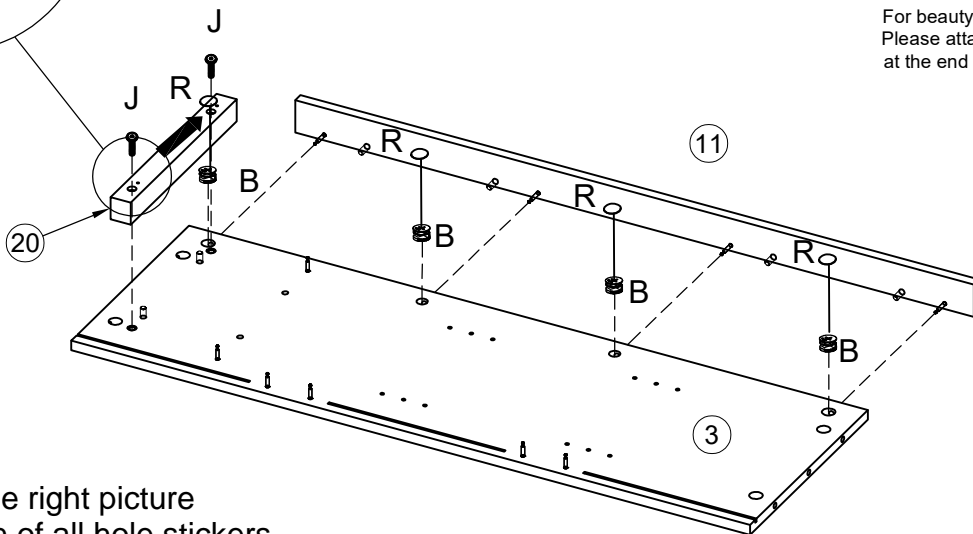
R x 4	Q x 1	J x 2	B x 4
	 4 mm	 M6x40 mm	 Ø15x9 mm



Assemble 11 parts first and then assemble 20 parts



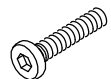



For beauty and safety. Please attach four R-hole stickers at the end of this step.

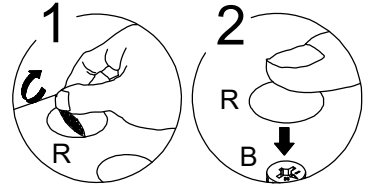


Please refer to the right picture for the installation of all hole stickers.

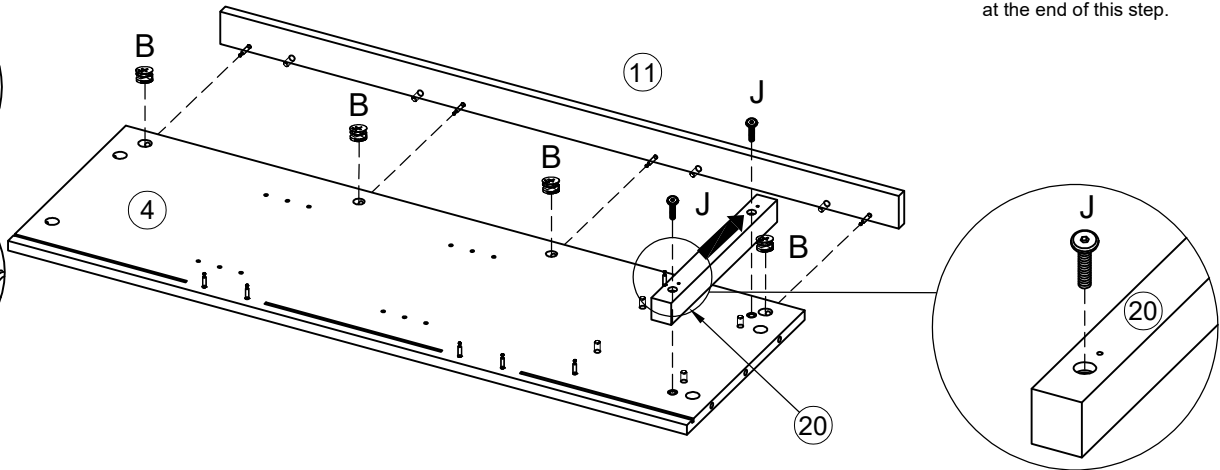
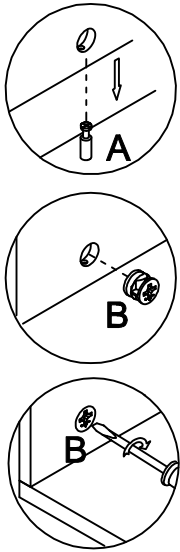
Step 5

R x 4 	Q x 1  4 mm	J x 2  M6x40 mm	B x 4  Ø15x9 mm
--	---	--	--




Assemble 11 parts first and then assemble 20 parts

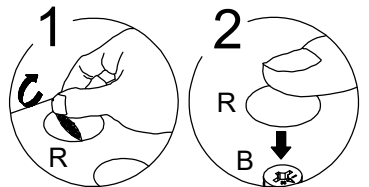


For beauty and safety. Please attach four R-hole stickers at the end of this step.

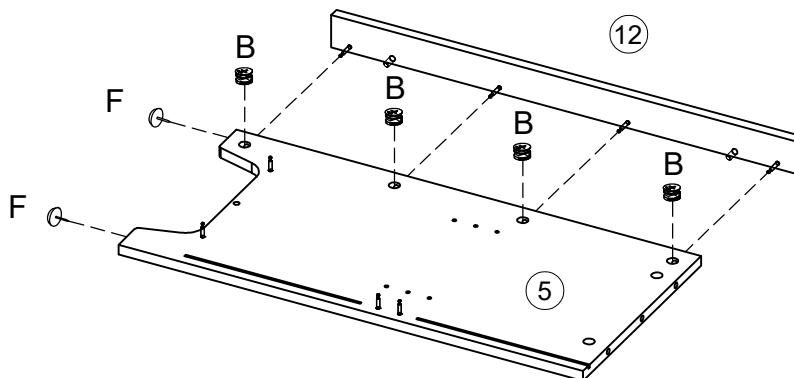
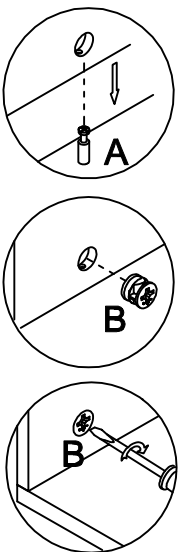


Step 6

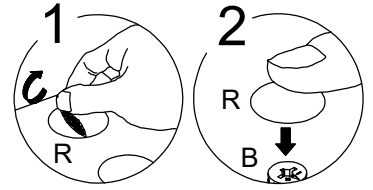
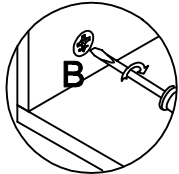
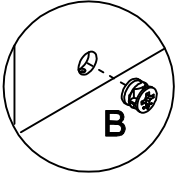
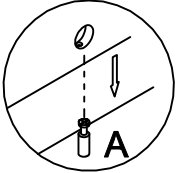
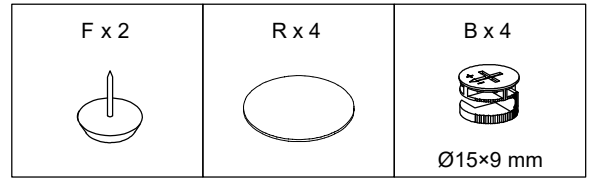
F x 2 	R x 4 	B x 4  Ø15x9 mm
--	--	--



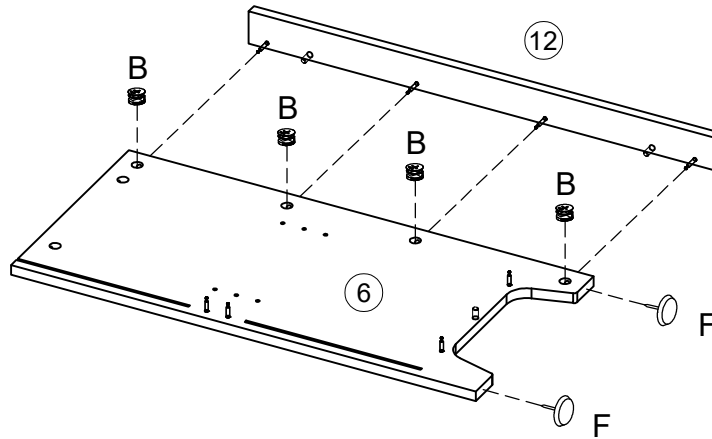
For beauty and safety. Please attach four R-hole stickers at the end of this step.



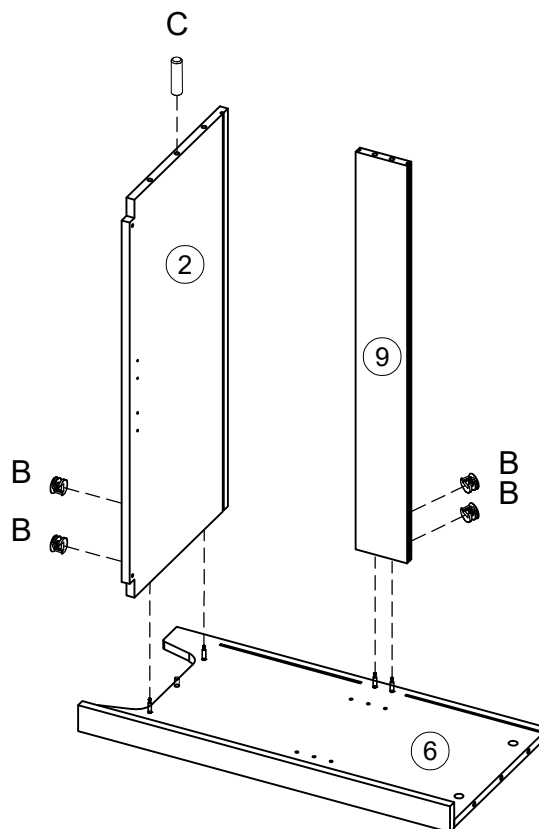
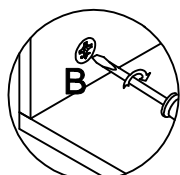
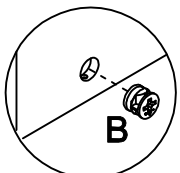
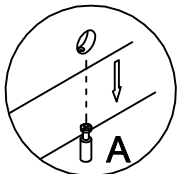
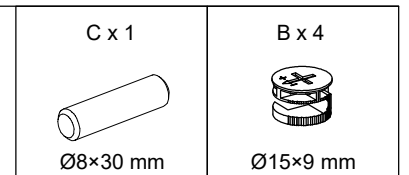
Step 7





For beauty and safety.
Please attach four R-hole stickers
at the end of this step.

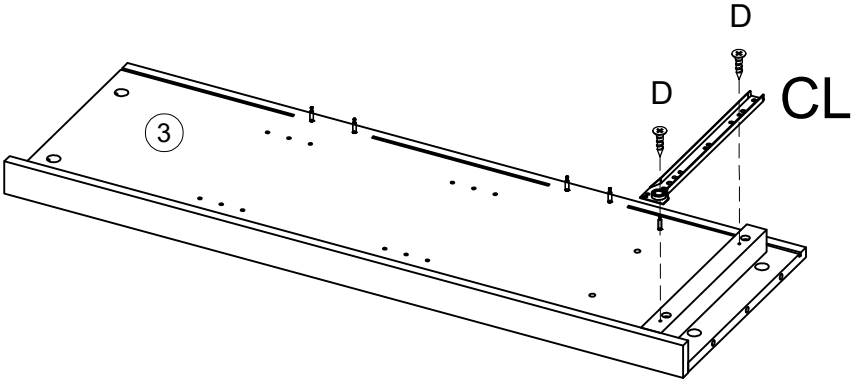
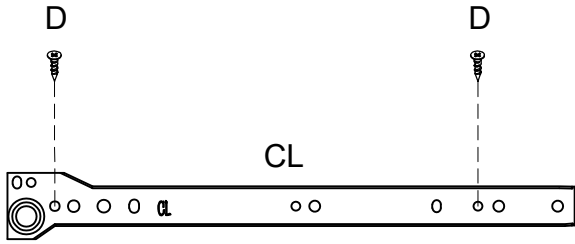


Step 8





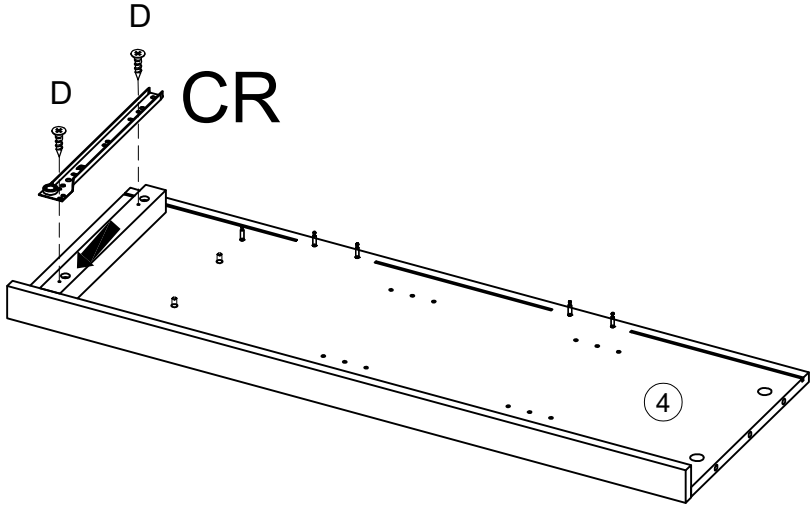
Step 11

CL x 1	D x 2
	
300 mm	Ø3.0×14 mm

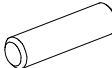



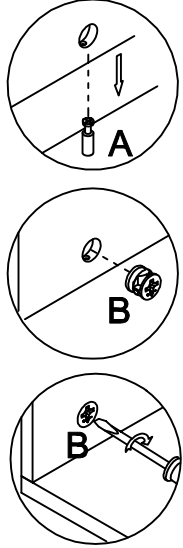
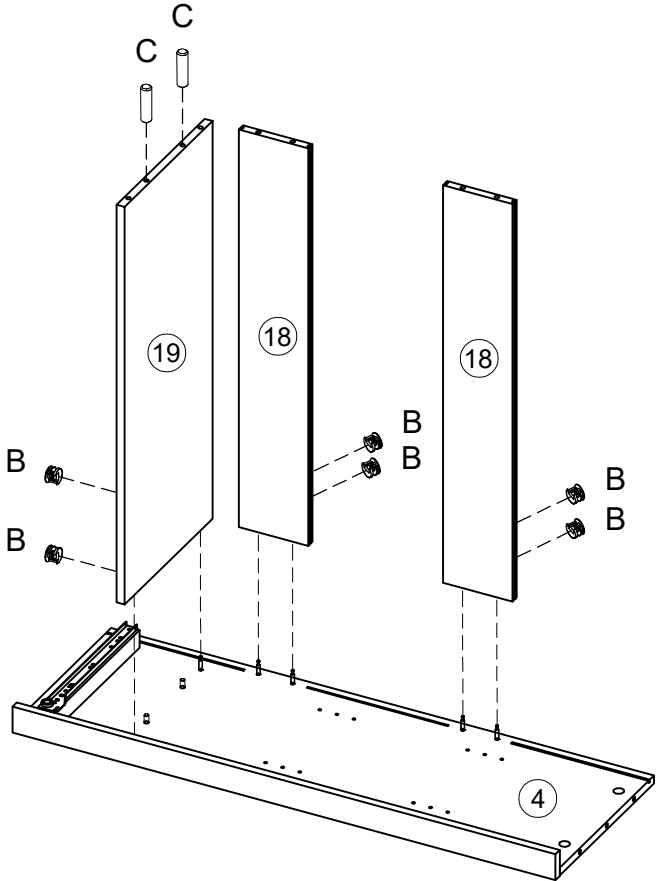
Step 12

CR x 1	D x 2
	
300 mm	Ø3.0×14 mm

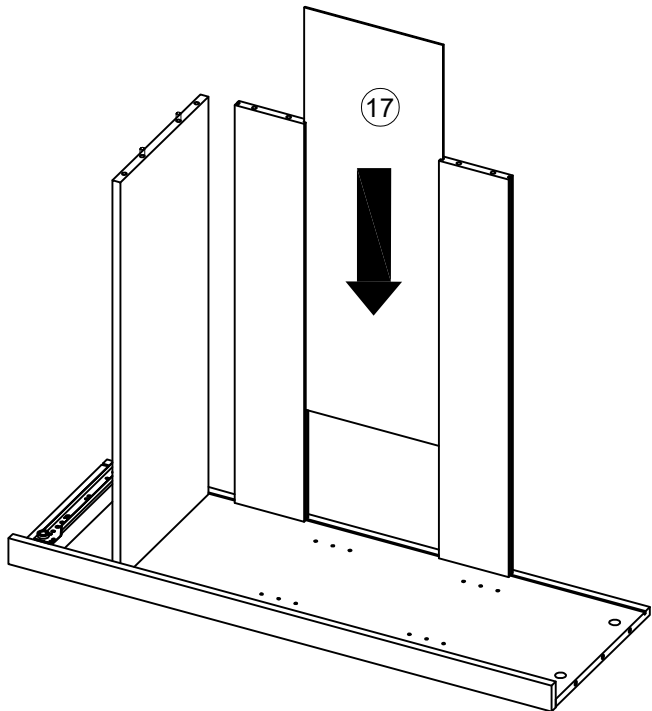


Step 13

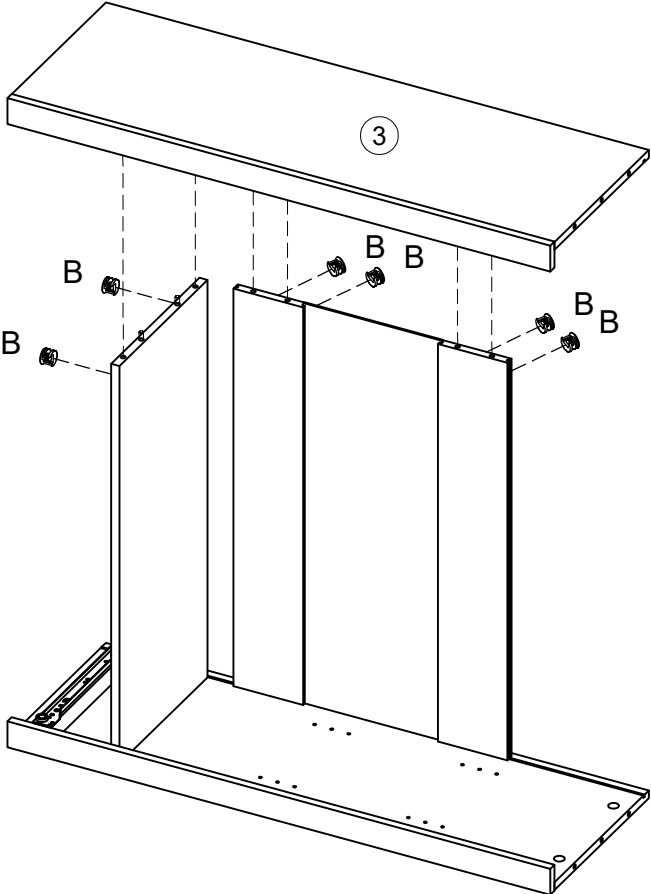
C x 2  Ø8x30 mm	B x 6  Ø15x9 mm
--	--



Step 14

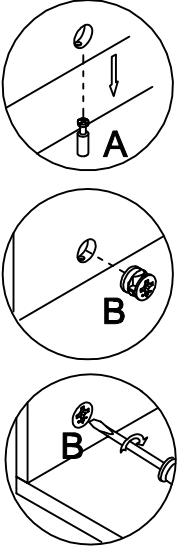


Step 15

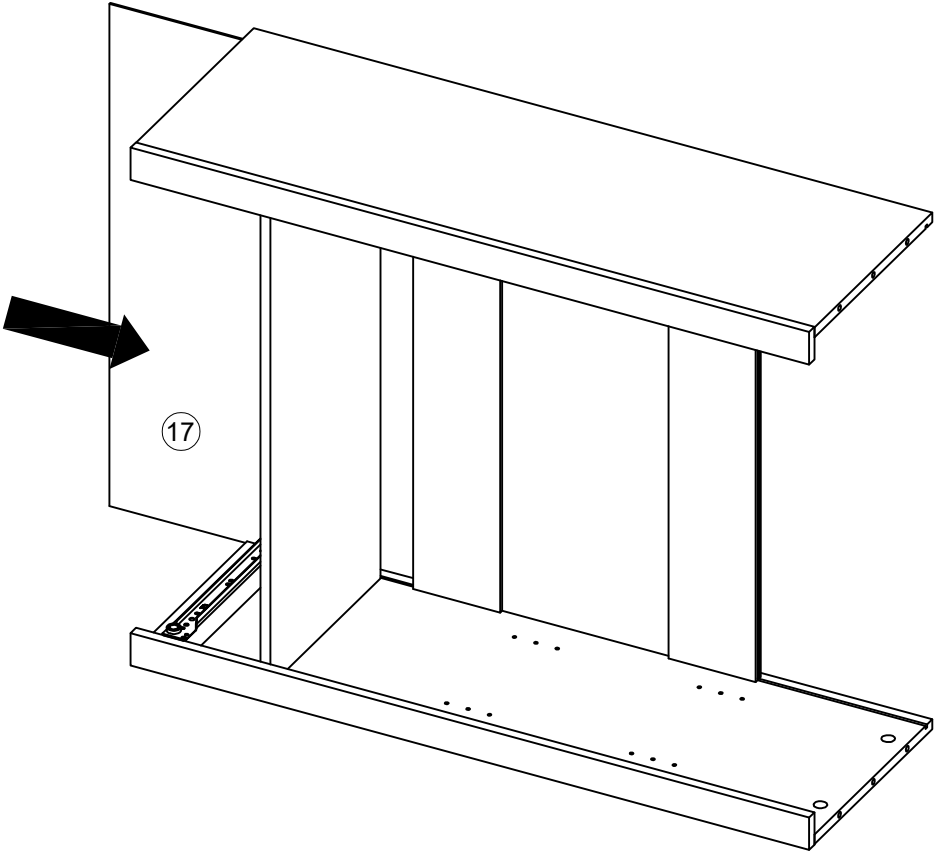


B x 6

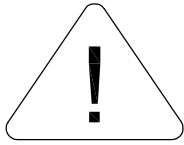
Ø15x9 mm



Step 16

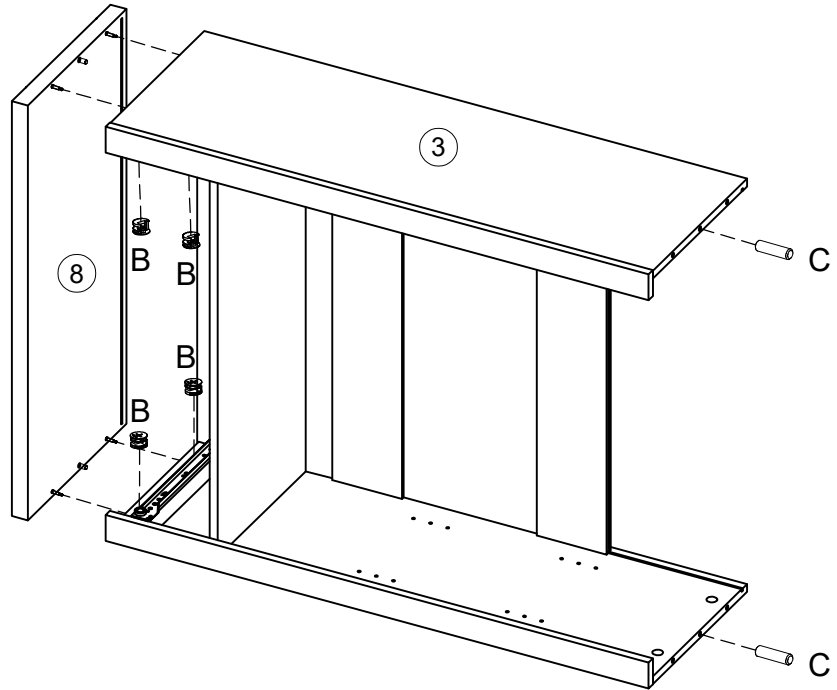
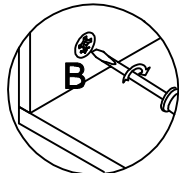
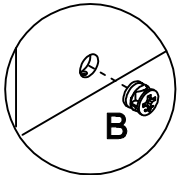
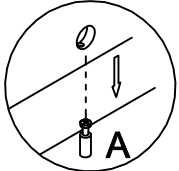


Step 17

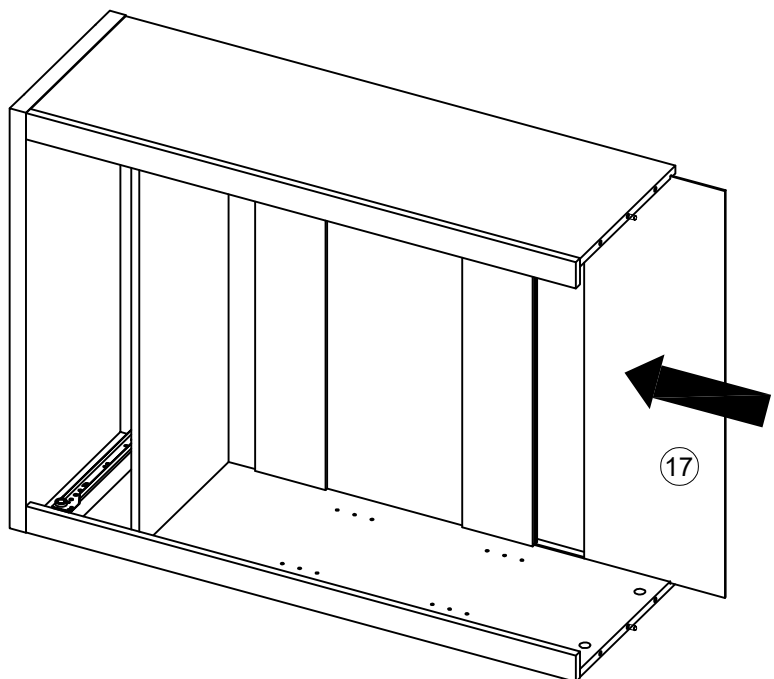


Install Part 8 with the concave side facing outward.


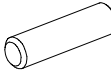

Q x 1	C x 2	B x 4
	Ø8x30 mm	Ø15x9 mm

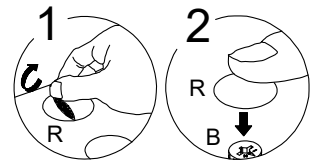
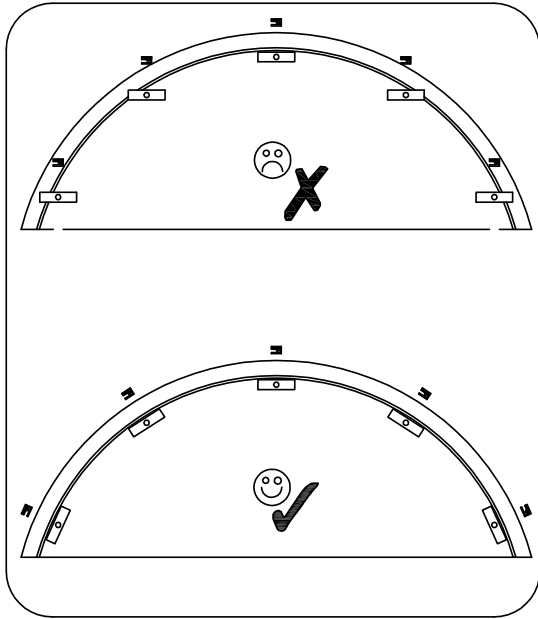


Step 18

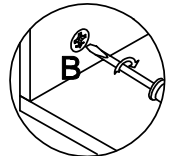
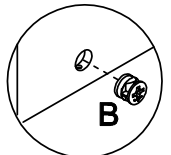
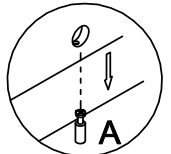
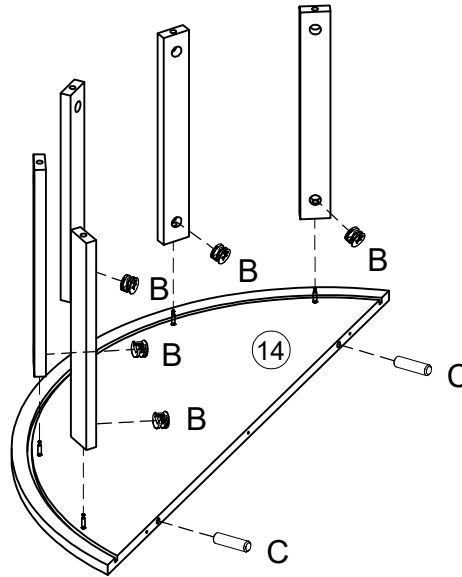


Step 19


R x 5 	C x 2  Ø8x30 mm	B x 5  Ø15x9 mm
---	--	--

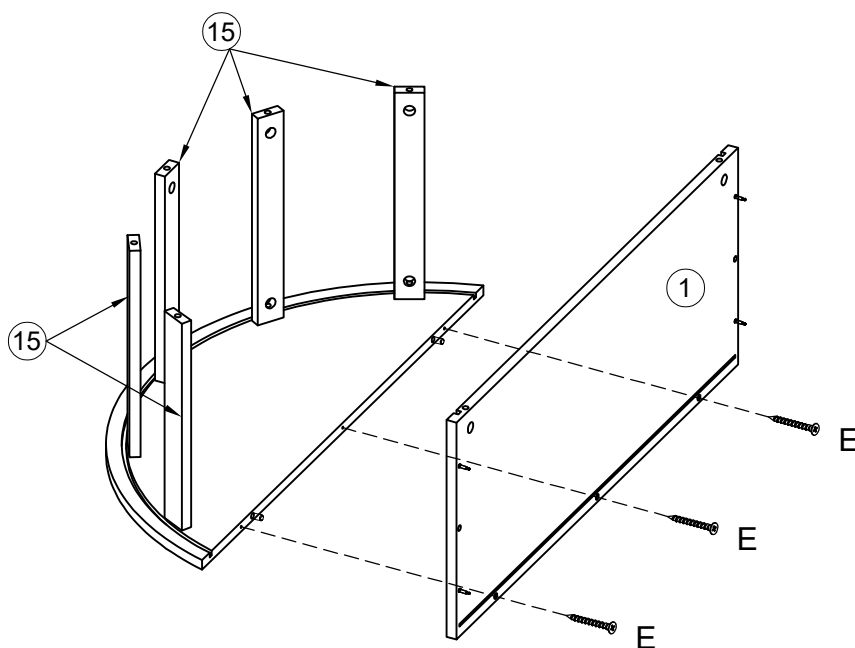


For beauty and safety.
Please attach four R-hole stickers
at the end of this step.



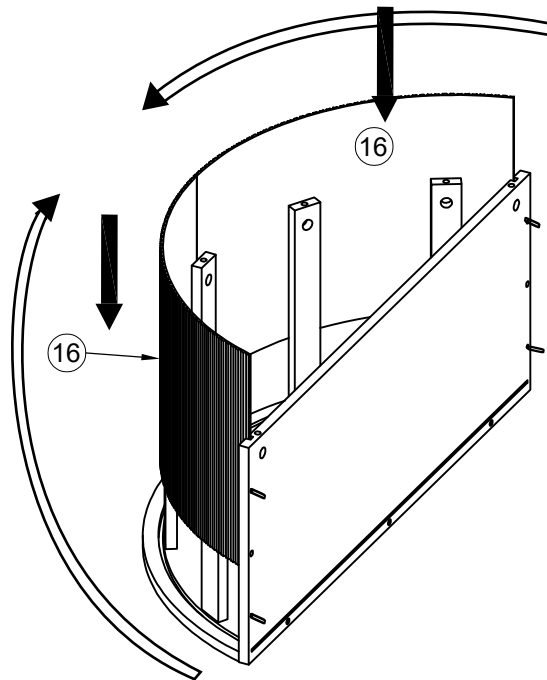
Step 20

E x 3  Ø4x35 mm
--



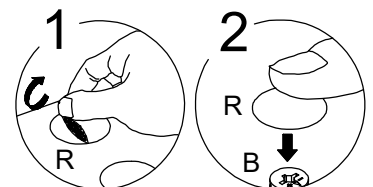
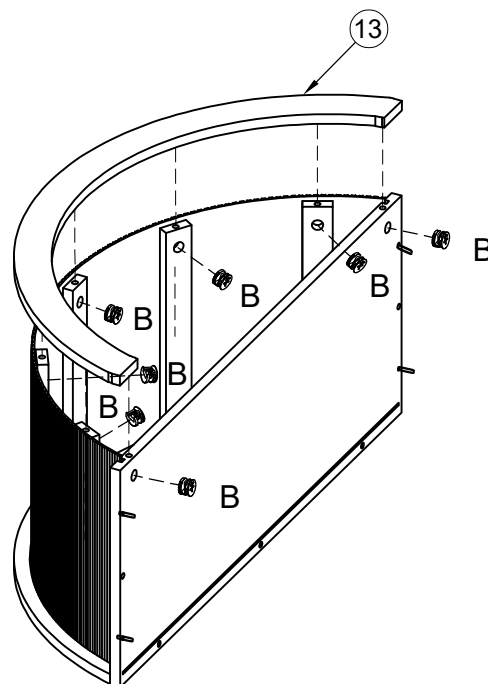
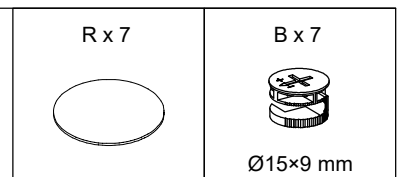
Step 21

Please install two components 16 in the direction indicated by the arrow.

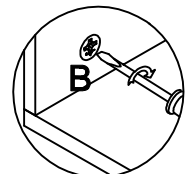
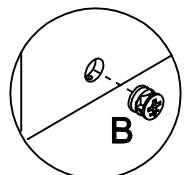
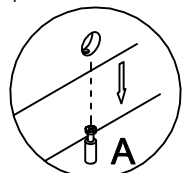


When installing part No. 16, please place the burlap side facing inward.

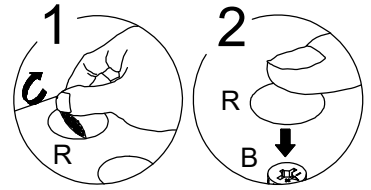
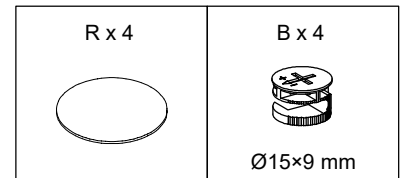
Step 22



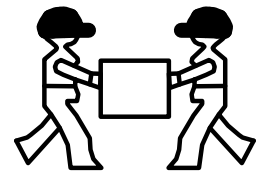
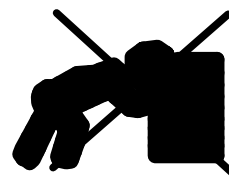
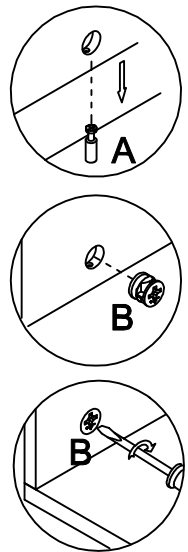
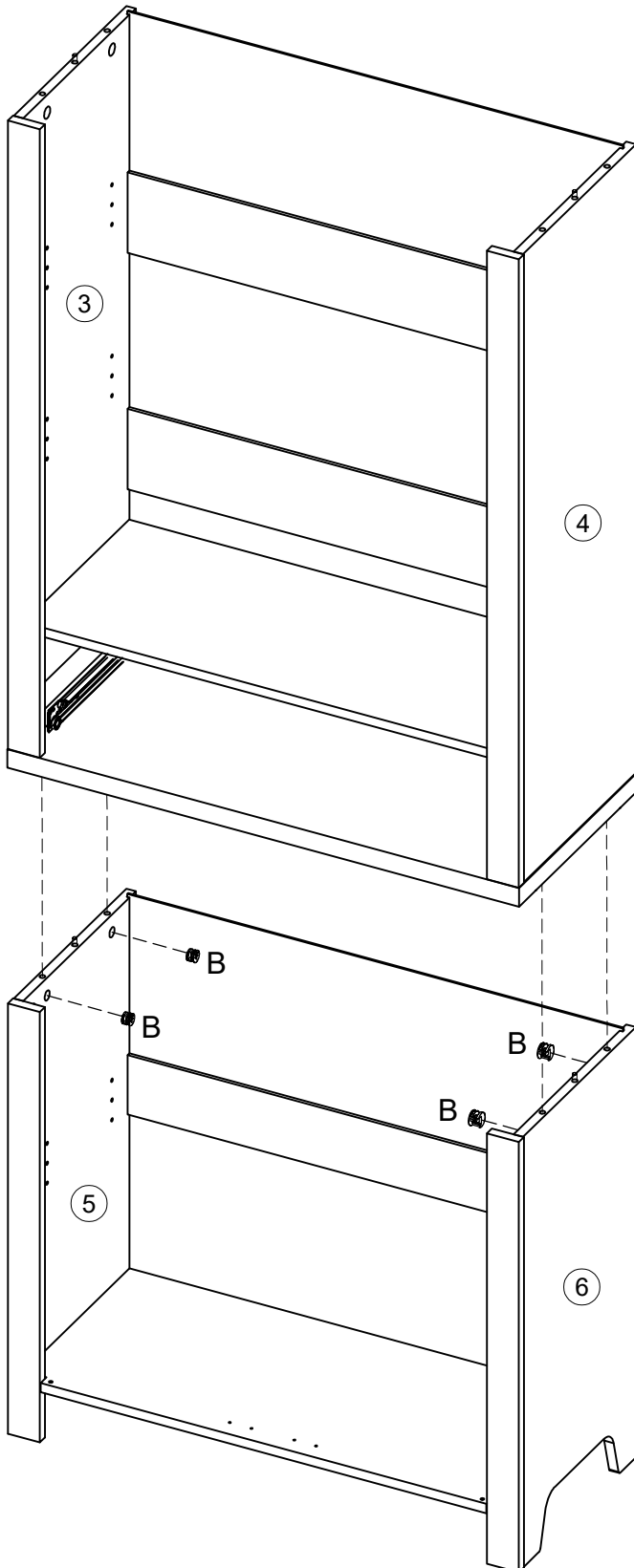
For beauty and safety.
Please attach four R-hole stickers
at the end of this step.



Step 23

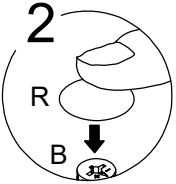
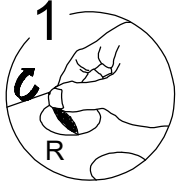
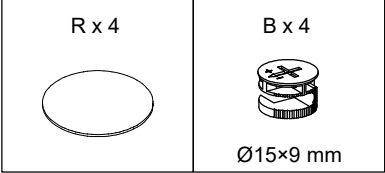
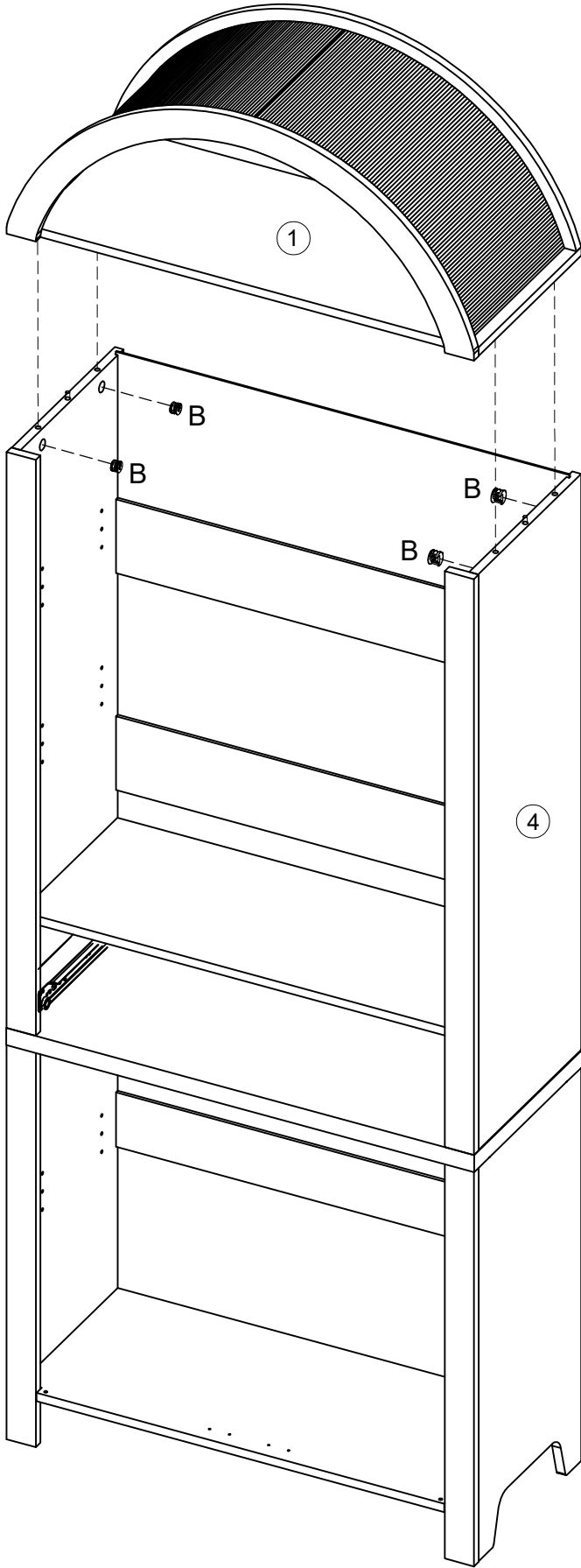


For beauty and safety.
Please attach four R-hole stickers
at the end of this step.

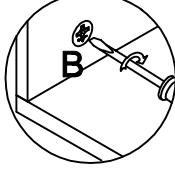
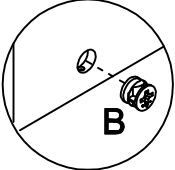
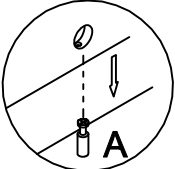


Two people work together to move the cabinet.
Make sure you lift it off the ground.
Don't push and pull.




Step 24

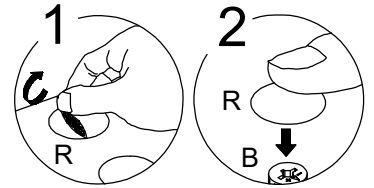


For beauty and safety.
Please attach four R-hole stickers
at the end of this step.

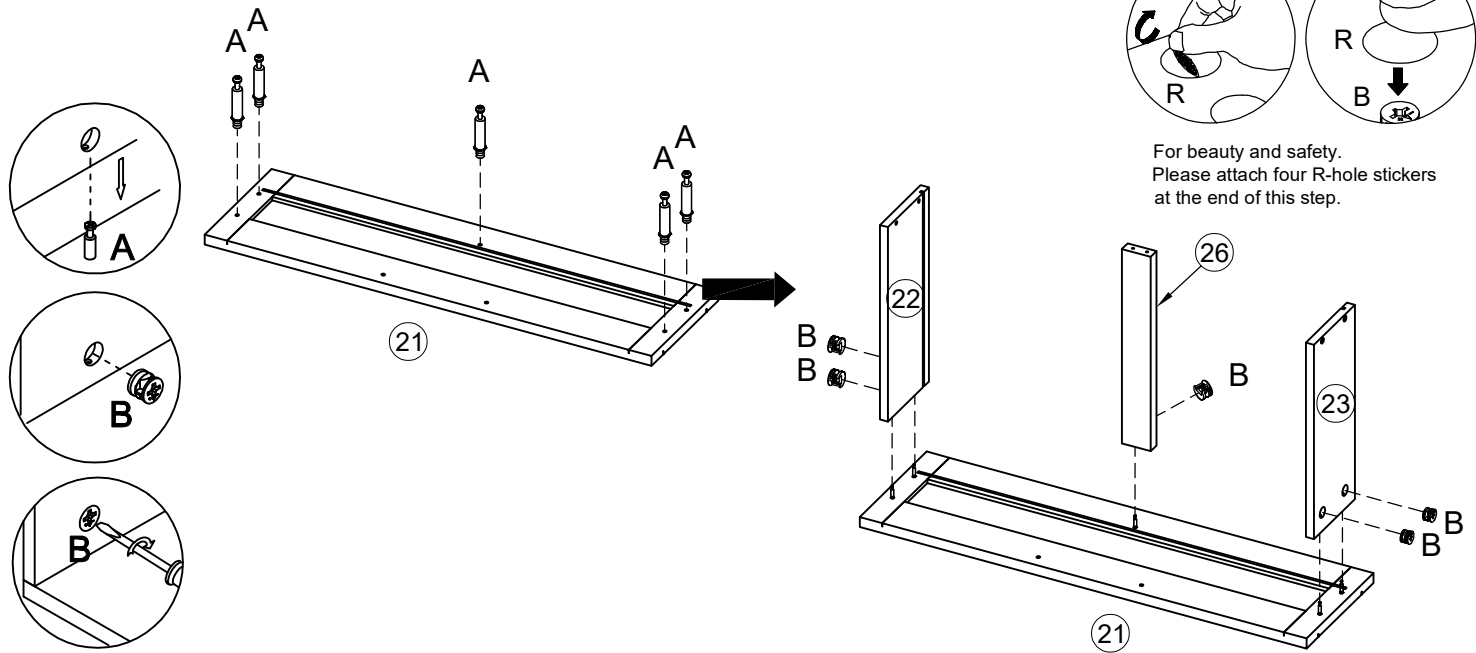


Step 25


R x 5 	B x 5  Ø15x9 mm	A x 5  Ø6x35 mm
---	--	--

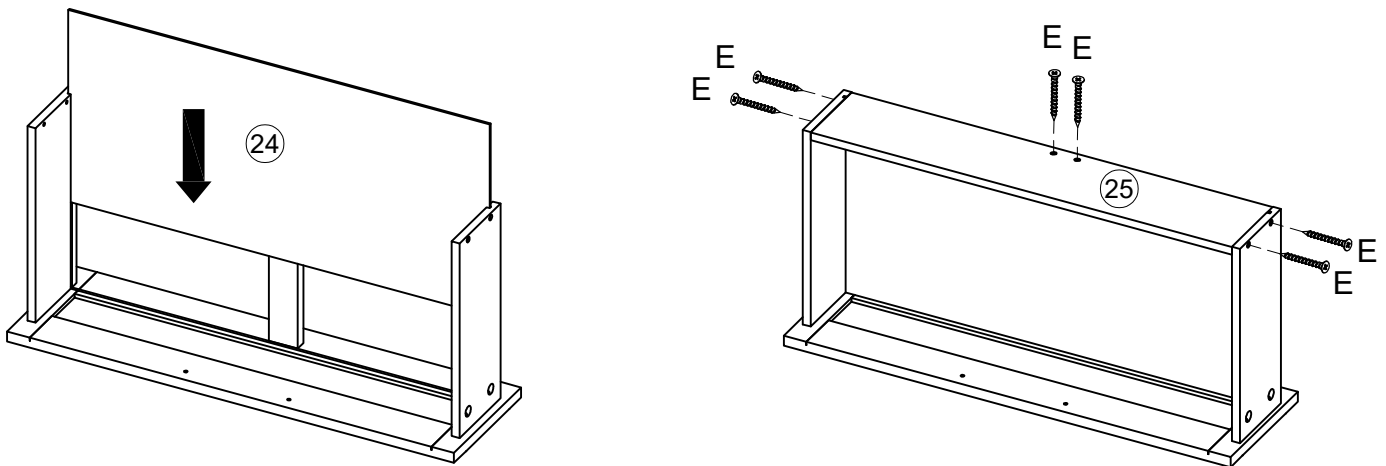


For beauty and safety.
Please attach four R-hole stickers
at the end of this step.


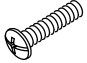


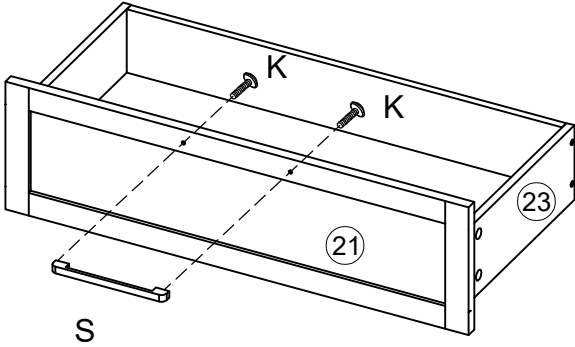
Step 26

E x 6  Ø4x35 mm
--






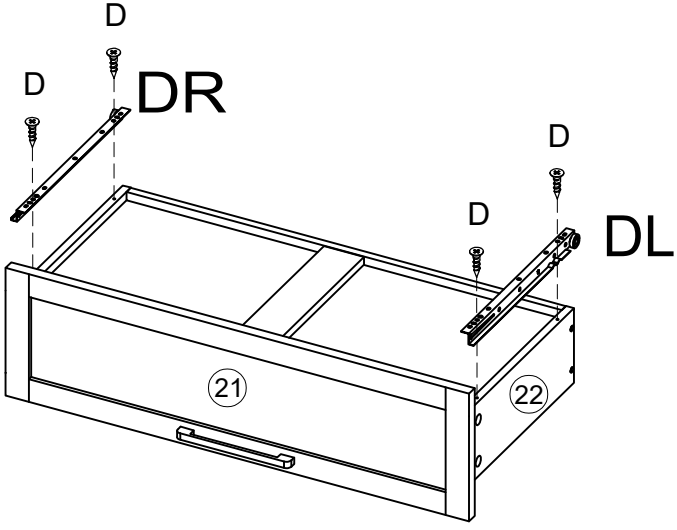
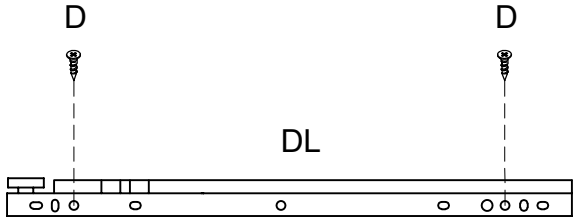
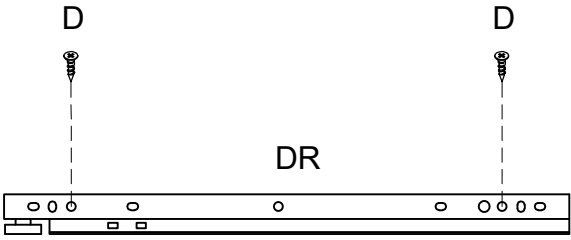
Step 27

S x 1	K x 2
	
	Ø4x20 mm

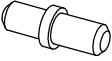
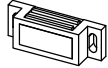



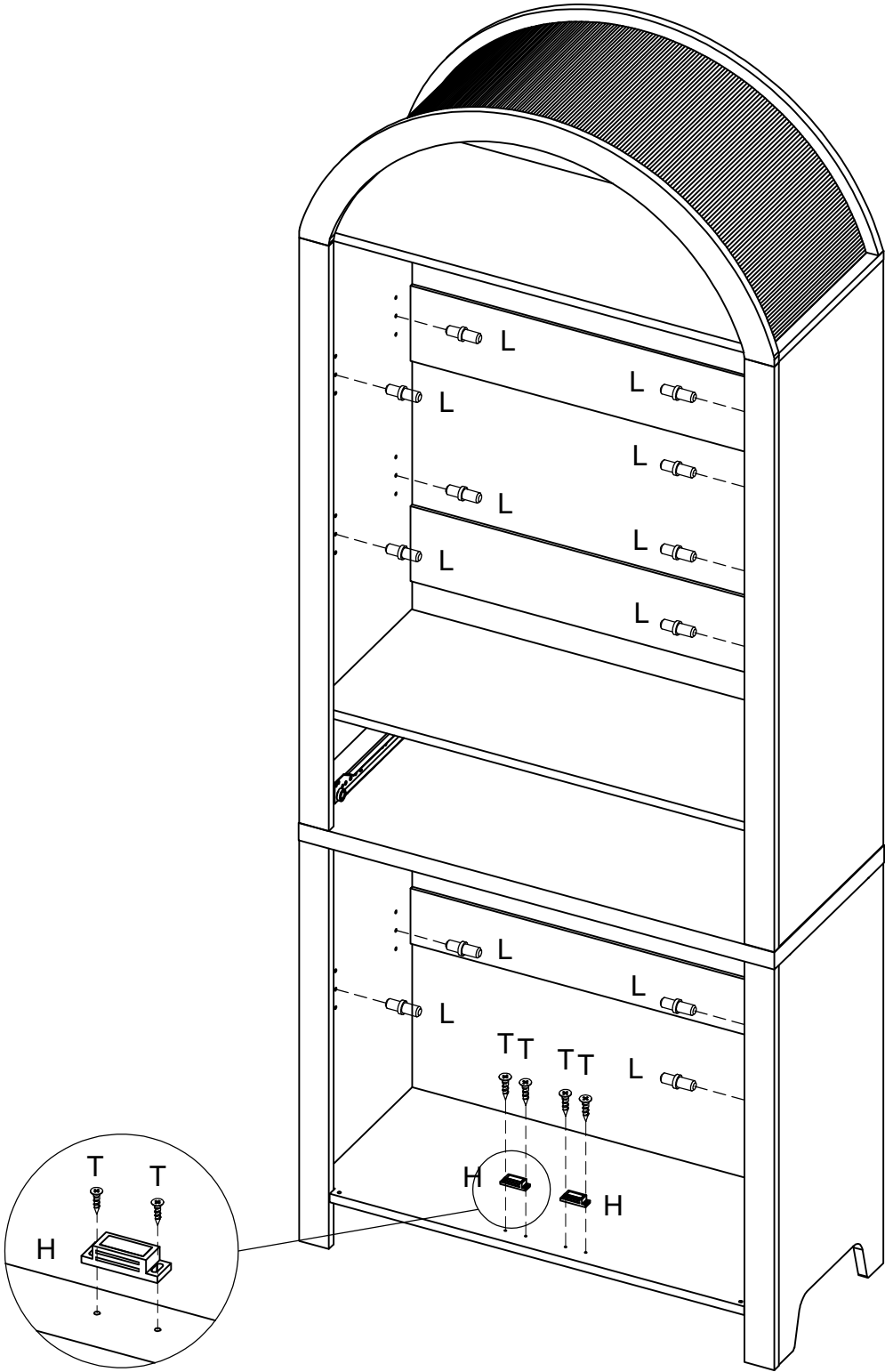
Step 28

DR x 1	DL x 1	D x 4
		
300 mm	350 mm	Ø3.0x14 mm

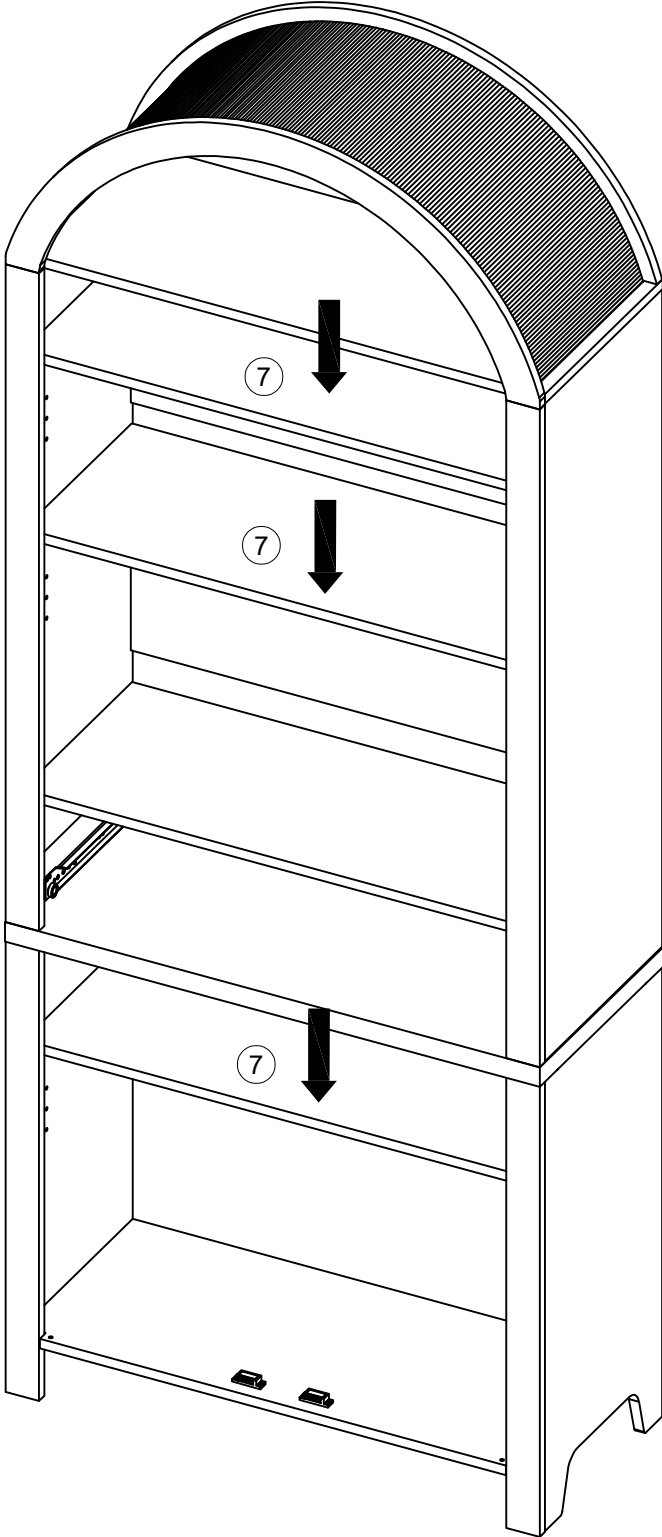


Step 29

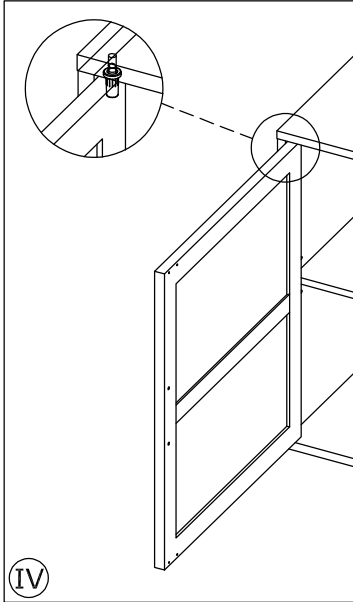
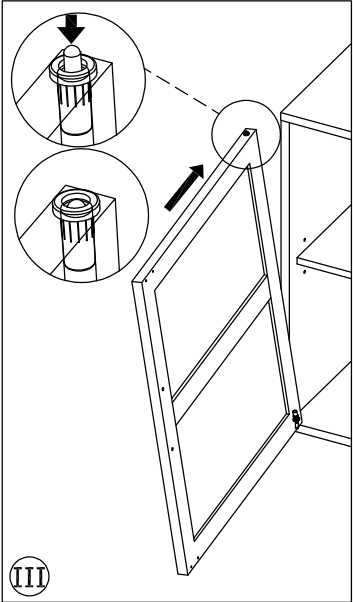
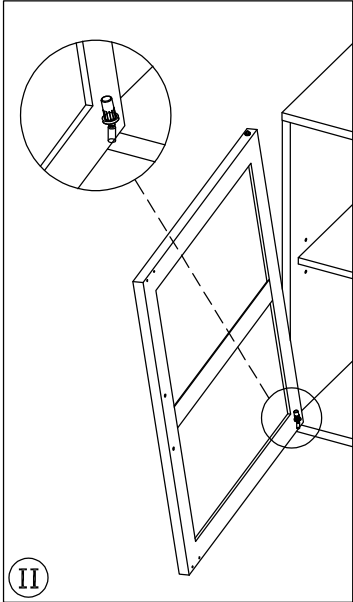
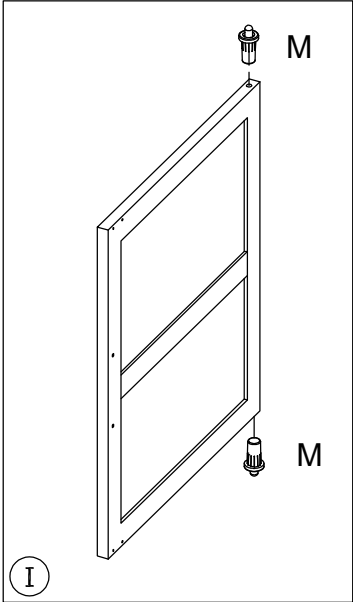
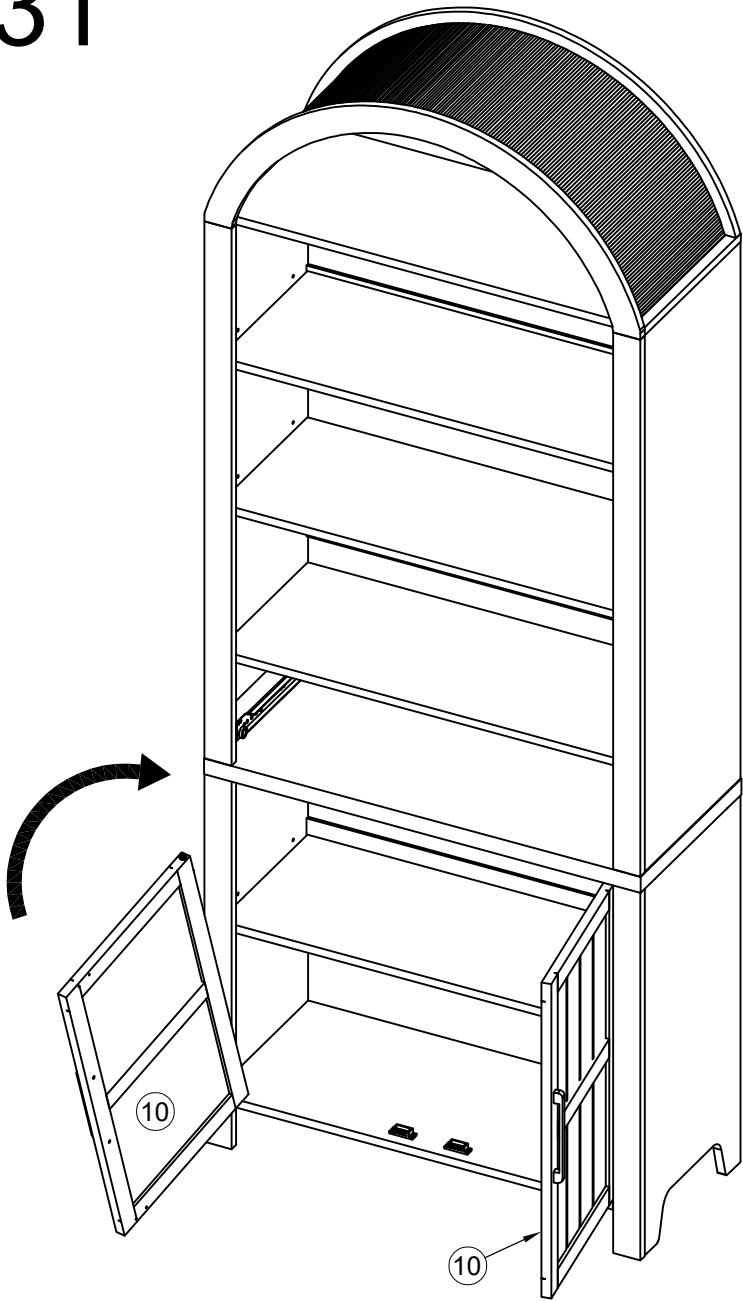
L x 12 	H x 2 	T x 4  Ø3.5x14 mm
--	--	--



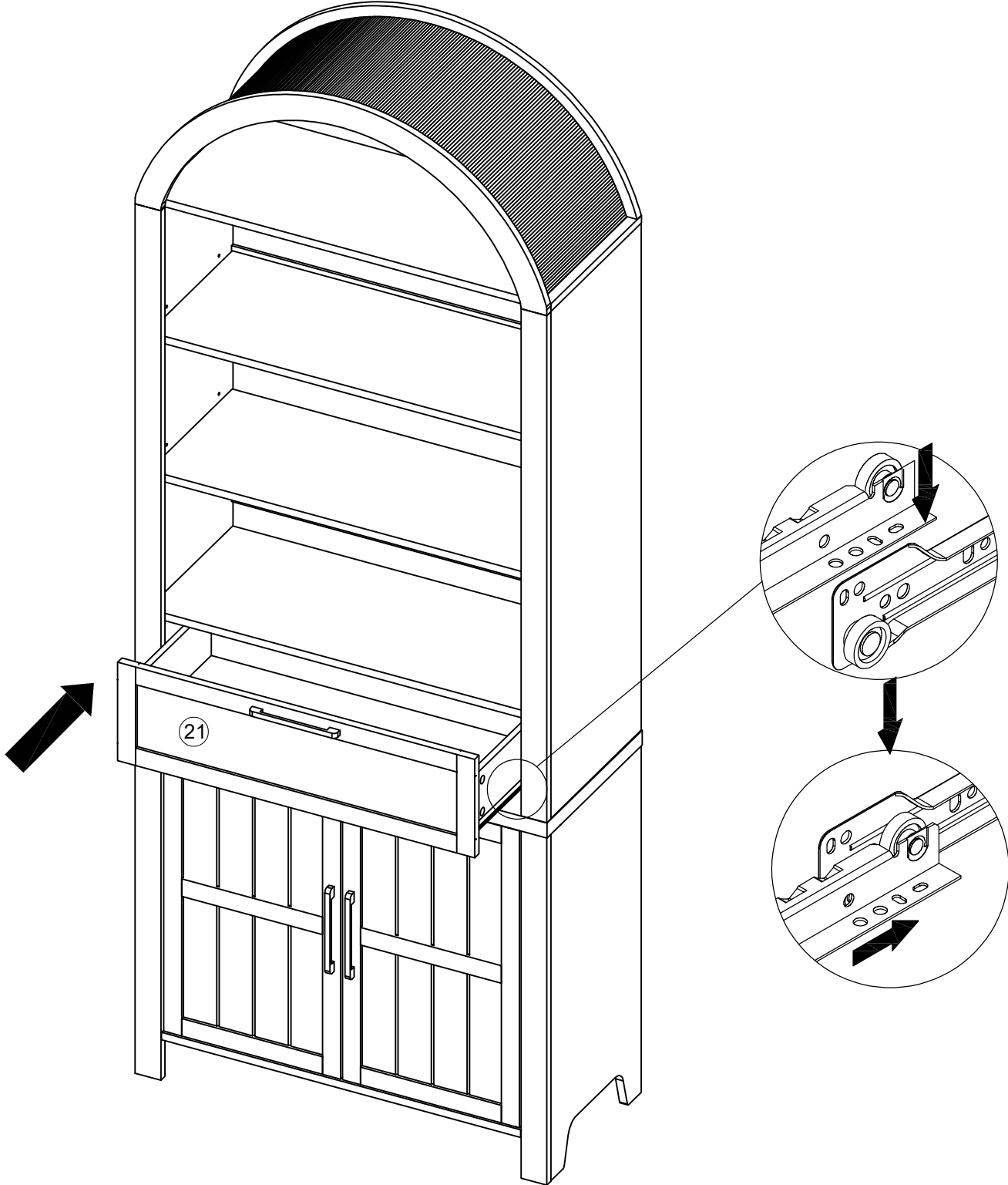
Step 30




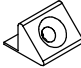
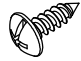

Step 31

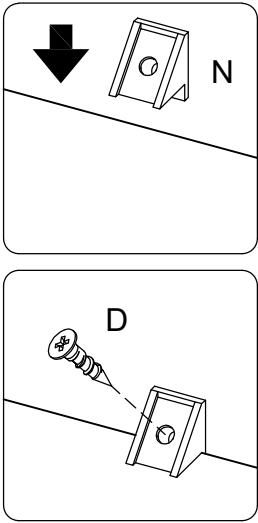
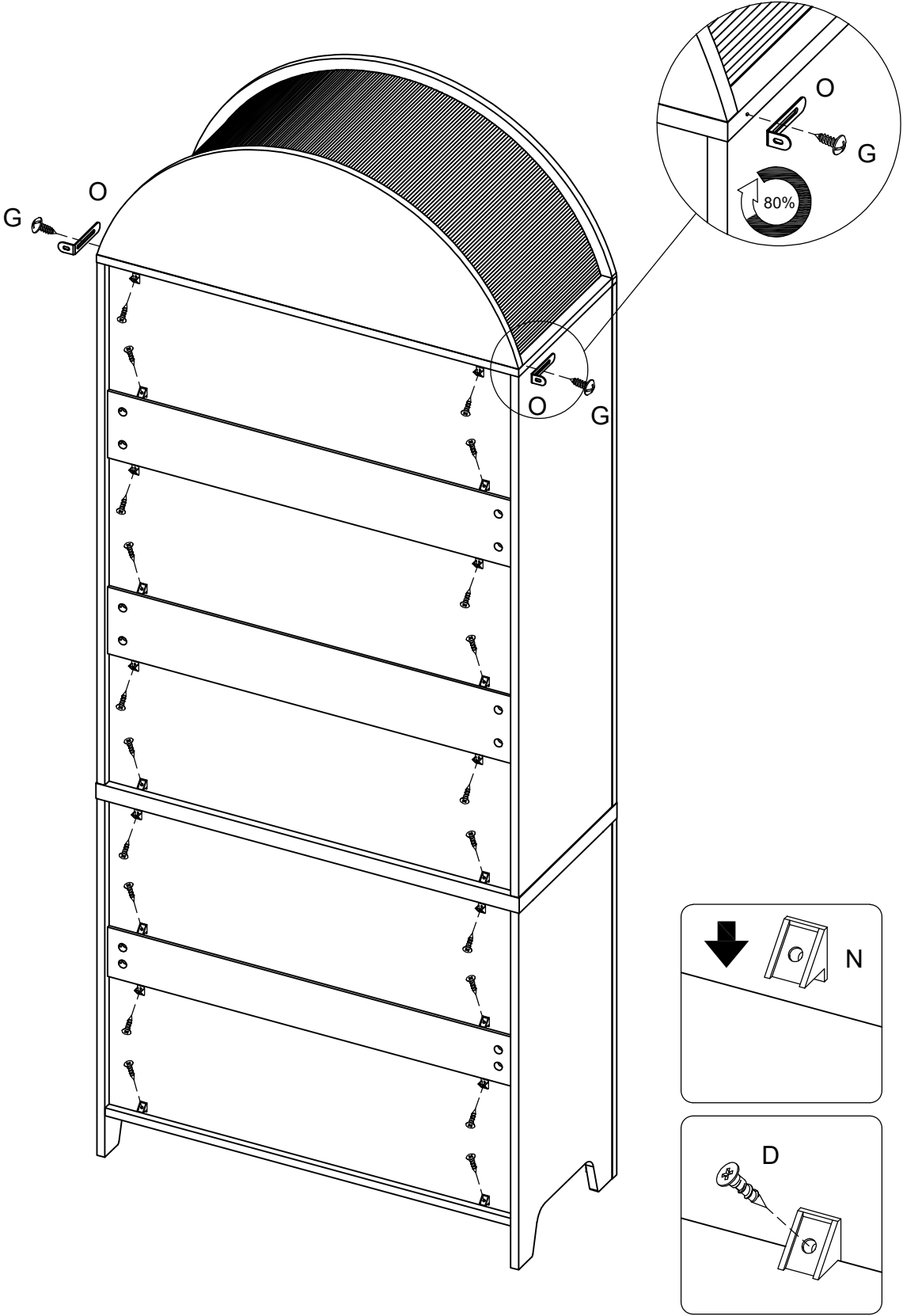


Step 32





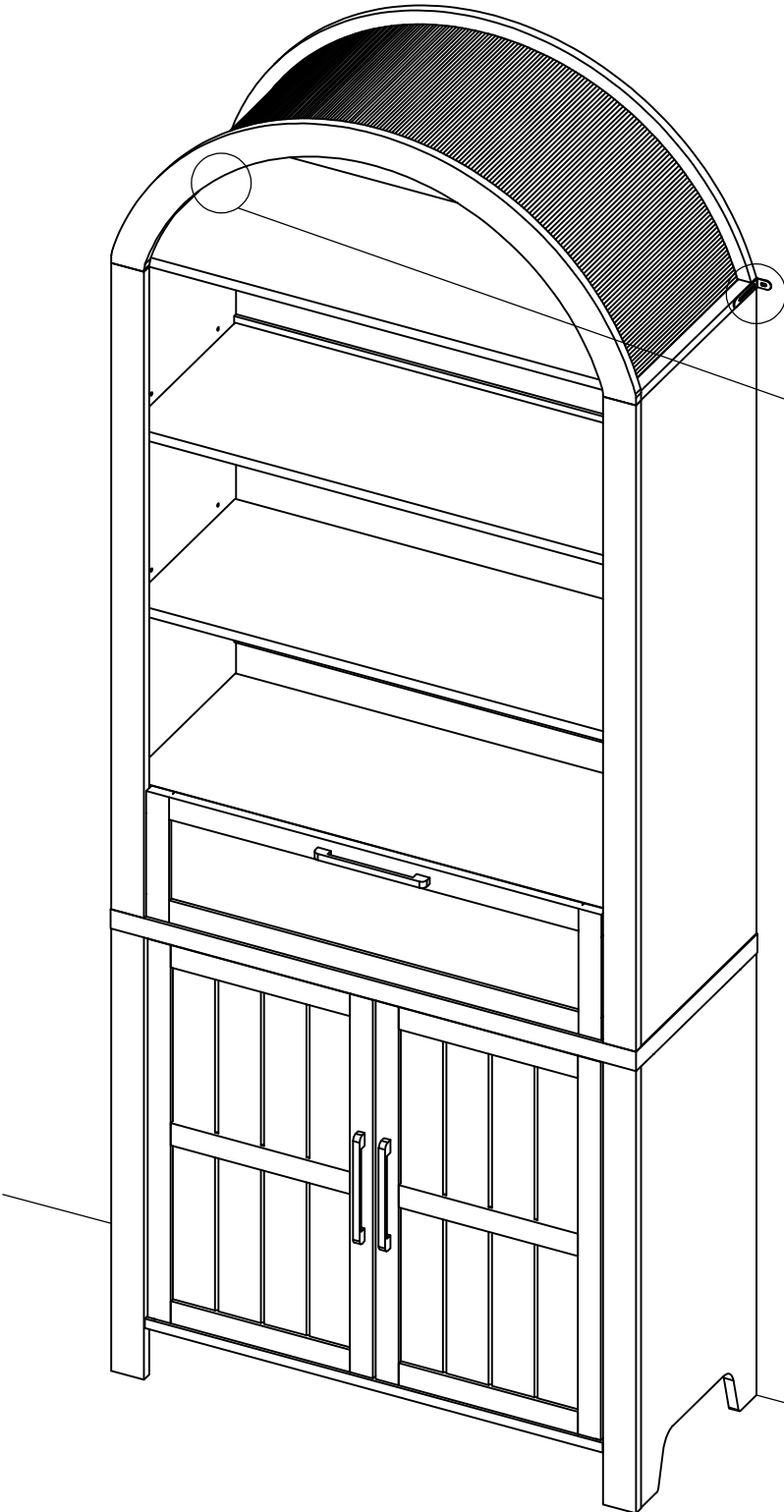
Step 33

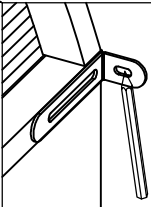
O x 2 	N x 20 	G x 2  Φ4×14 mm	D x 20  Ø3.0×14 mm
--	---	--	---

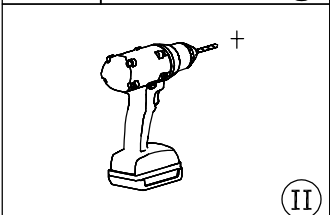


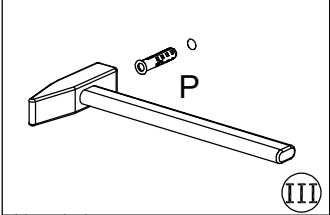
Step 34

P x 2 	E x 2  Ø4x35 mm
--	--



I 

II 

III 

IV 