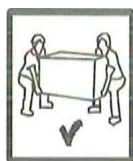


Assembly Instruction



ASSEMBLY TIME PER UNIT:

20MINUTES

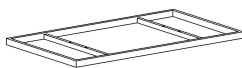
PARTS IDENTIFICATION

B1:TOP MARBLE AND FRAME

1 TOP MARBLE 1pc

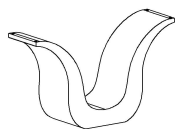


2 FRAME 1PC



B2:BOTTOM

3 LEG 1PC



4 BOTTOM 1PC



HARDWARE LIST

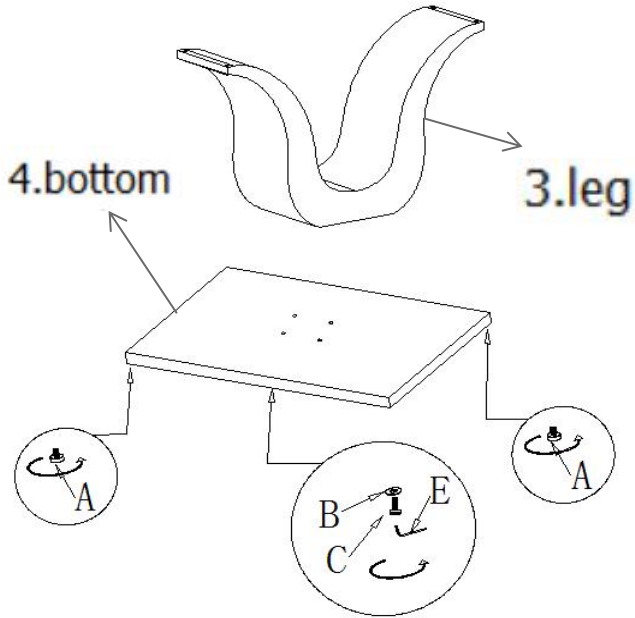
NO.	SIZE	DIAGRAM	QTY
A	Ø8X10		4
B	Ø10		8
C	M8X25		4
D	M8X50		4
E	8MM		1
F			8

Hardware pack is located in D14&D15 B2

ASSEMBLY INSTRUCTION

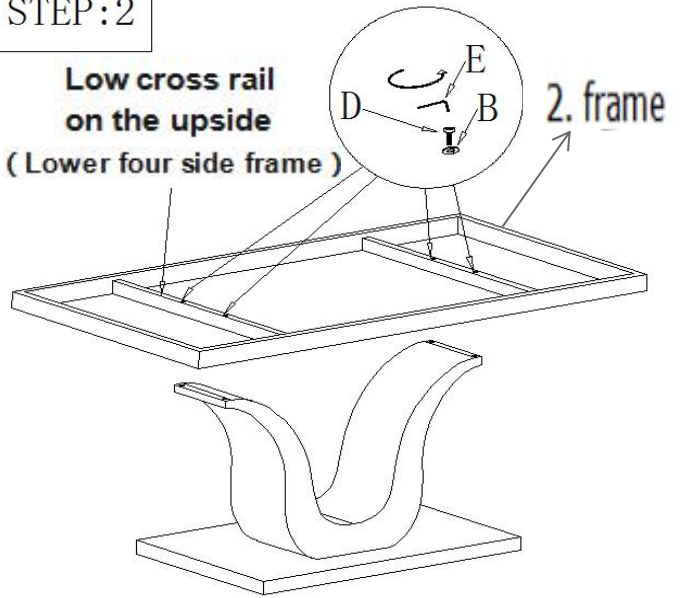
STEP : 1

Assemble step1 already



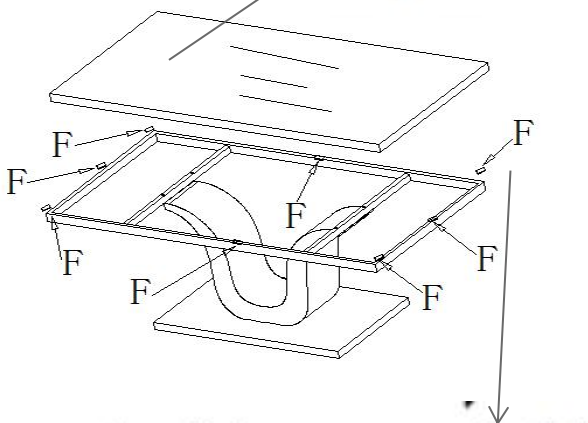
STEP : 2

Low cross rail
on the upside
(Lower four side frame)



STEP : 3

1.top marble



take off the protection for "F"
then stick to frame

STEP : 4

