













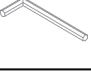




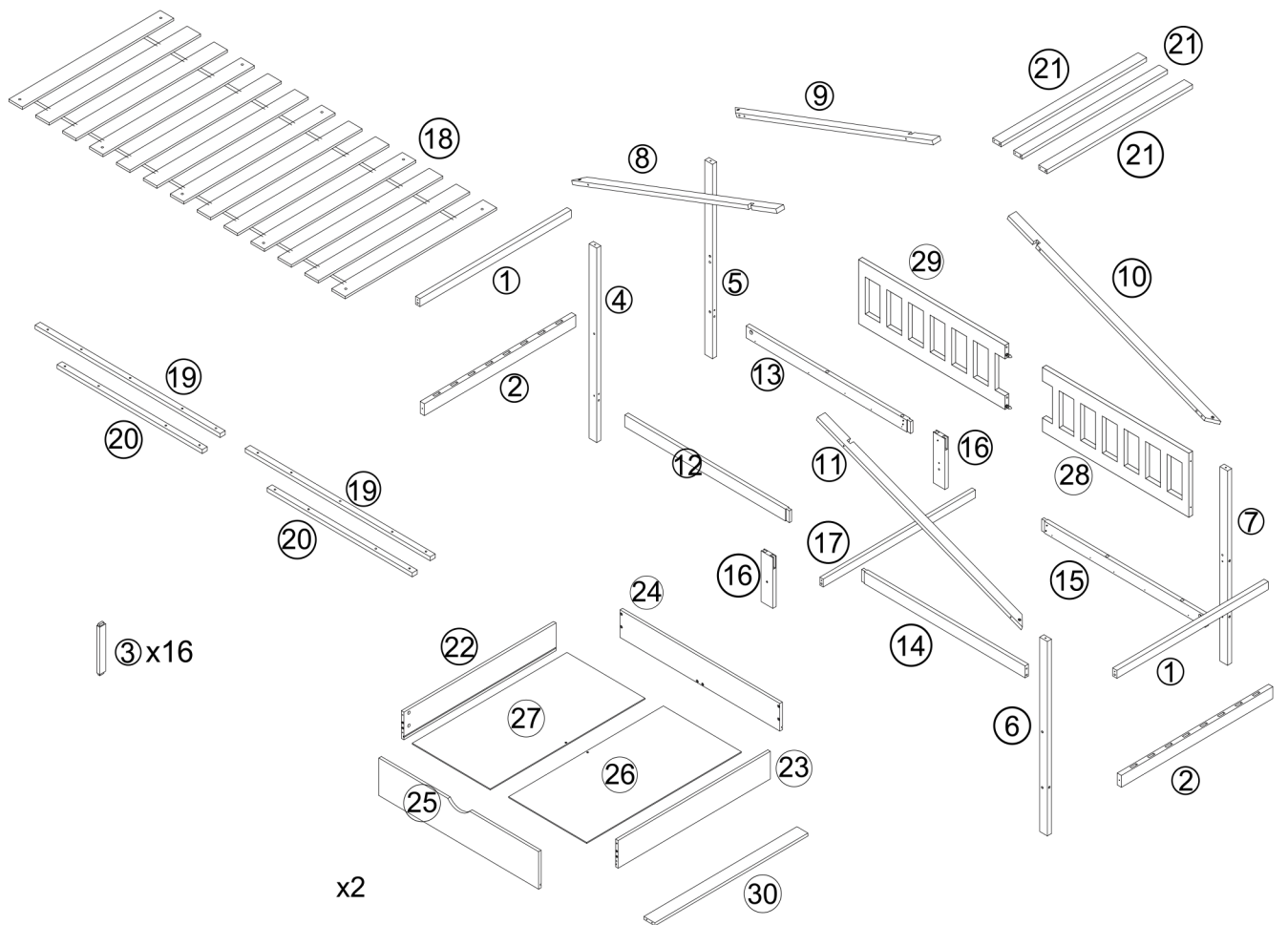
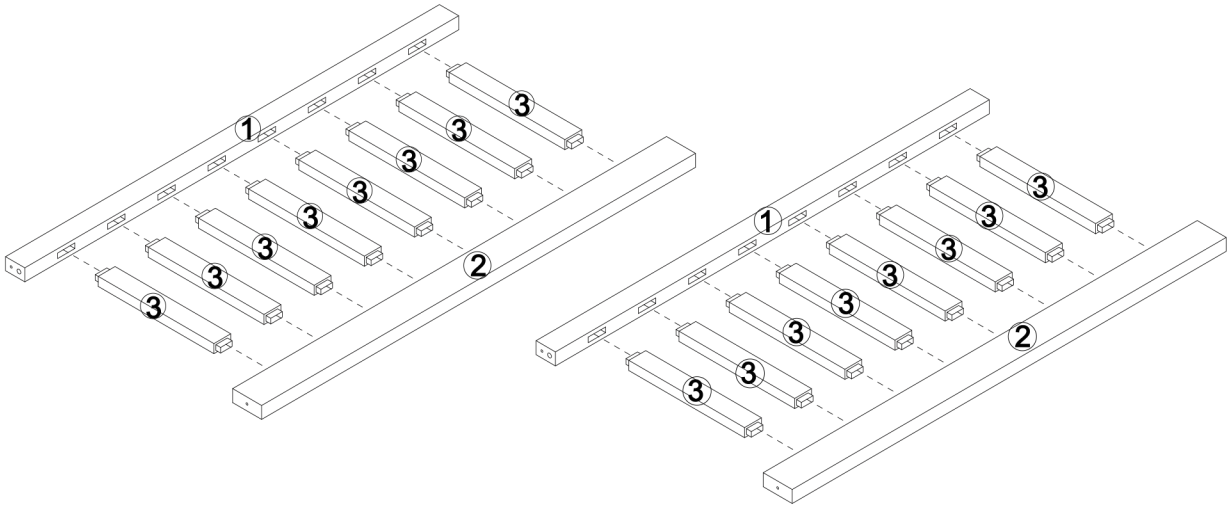




A	x8	B	x40	C	x4	D	x4	E	x18	F	x2	G	x10
													
6x80mm		8x30mm		6x70mm				4x30mm		5x100mm			
H	x20	I	x8	J	x10	K	x16	L	x10	M	x2	N	x8
													
4x12mm						5x45mm		4x25mm				4x16cm	
O	x1	P	x1	Q	x2	R	x8	S	x1				
													
		Not provided		6x30mm		6x80mm		4x50mm					



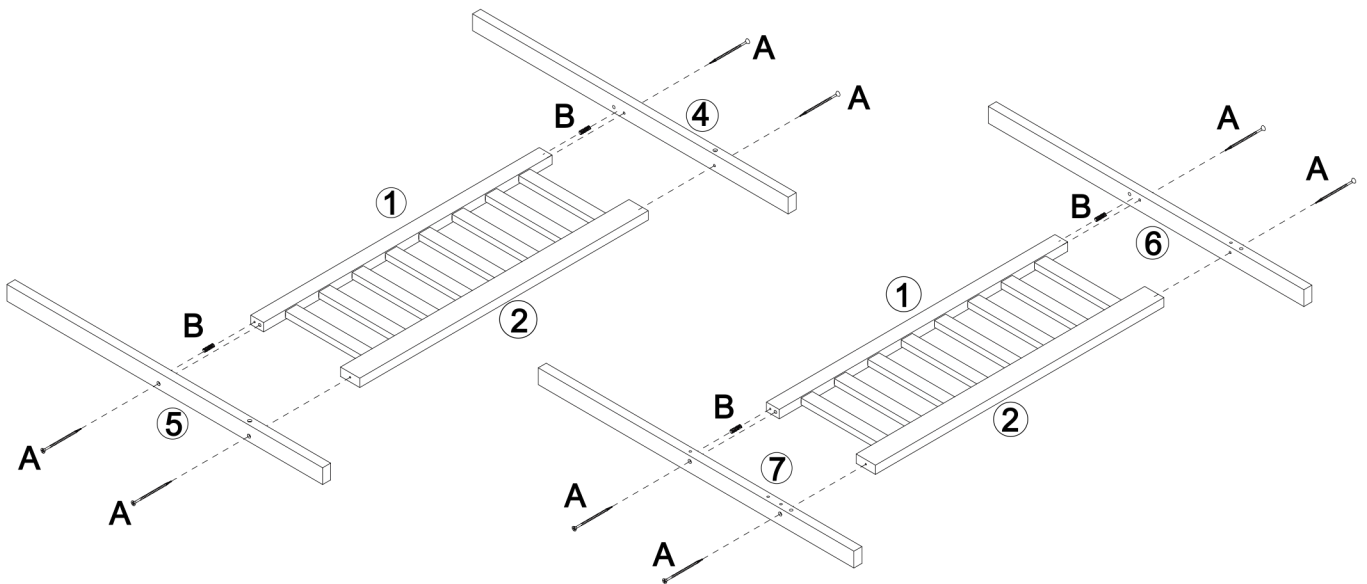
- |     |   |    |   |
|-----|---|----|---|
| 2x  | ① | 2x | ⑩ |
| 2x  | ② | 2x | ⑪ |
| 16x | ③ | 2x | ⑫ |
| 1x  | ④ | 2x | ⑬ |
| 1x  | ⑤ | 2x | ⑭ |
| 1x  | ⑥ | 2x | ⑮ |
| 1x  | ⑦ | 2x | ⑯ |
| 1x  | ⑧ | 2x | ⑰ |
| 1x  | ⑨ | 2x | ⑱ |
| 1x  | ⑩ | 2x | ⑲ |
| 1x  | ⑪ | 2x | ⑳ |
| 1x  | ⑫ | 2x | ㉑ |
| 1x  | ⑬ | 2x | ㉒ |
| 1x  | ⑭ | 2x | ㉓ |
| 1x  | ⑮ | 2x | ㉔ |
|     |   | 2x | ㉕ |
|     |   | 2x | ㉖ |
|     |   | 2x | ㉗ |
|     |   | 2x | ㉘ |
|     |   | 2x | ㉙ |
|     |   | 2x | ㉚ |
|     |   | 2x | ㉛ |
|     |   | 2x | ㉜ |
|     |   | 2x | ㉝ |
|     |   | 2x | ㉞ |
|     |   | 2x | ㉟ |
|     |   | 2x | ㊱ |
|     |   | 2x | ㊲ |
|     |   | 2x | ㊳ |
|     |   | 2x | ㊴ |
|     |   | 2x | ㊵ |
|     |   | 2x | ㊶ |
|     |   | 2x | ㊷ |
|     |   | 2x | ㊸ |
|     |   | 2x | ㊹ |
|     |   | 2x | ㊺ |
|     |   | 2x | ㊻ |
|     |   | 2x | ㊼ |
|     |   | 2x | ㊽ |
|     |   | 2x | ㊾ |
|     |   | 2x | ㊿ |




# 1.



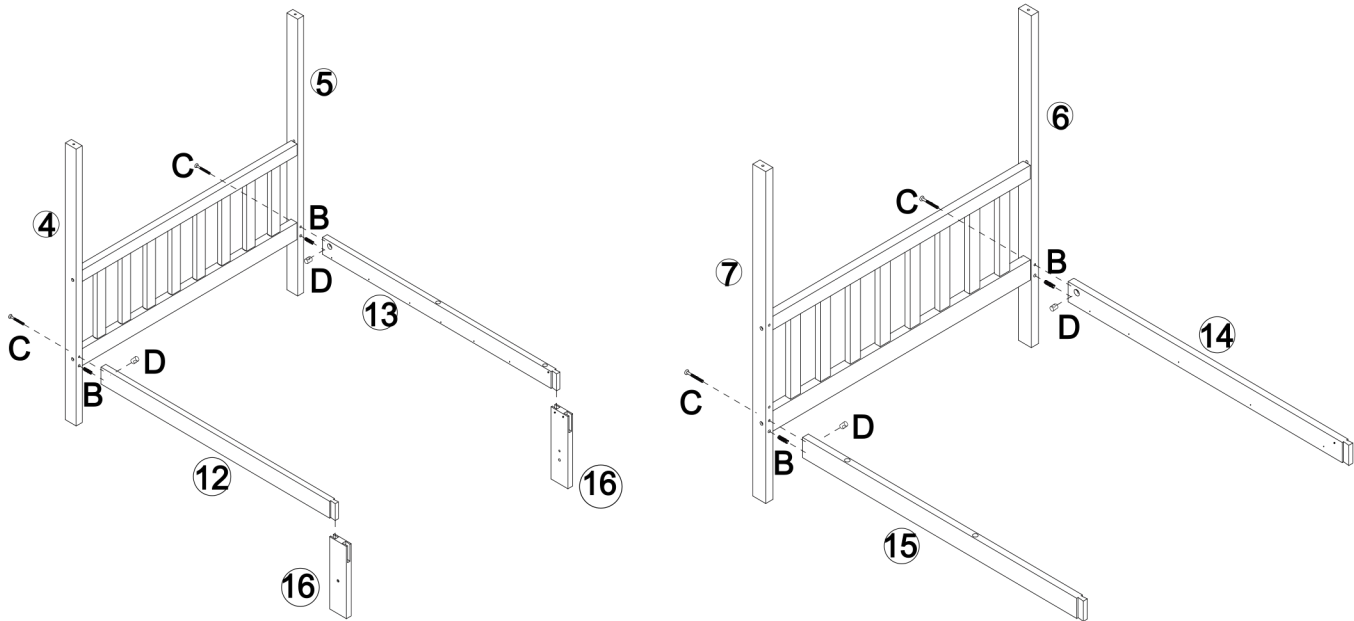
A	x8	B	x4
			
6×80mm		8×30mm	

# 2.

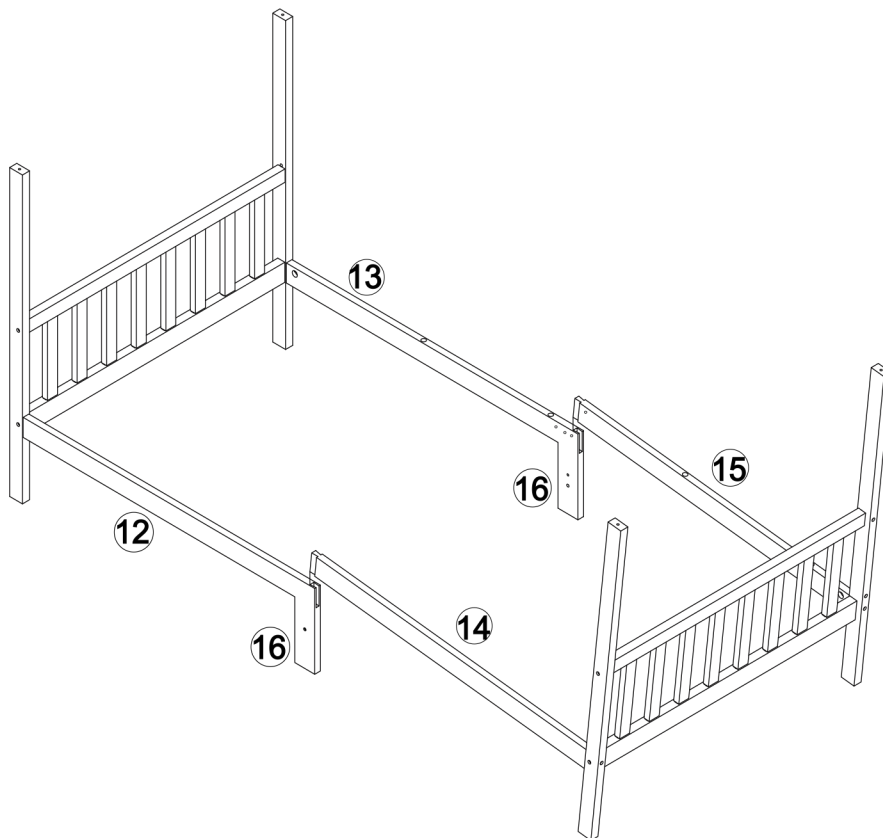


B	x4	C	x4	D	x4
					
8x30mm		6x70mm			






# 3.

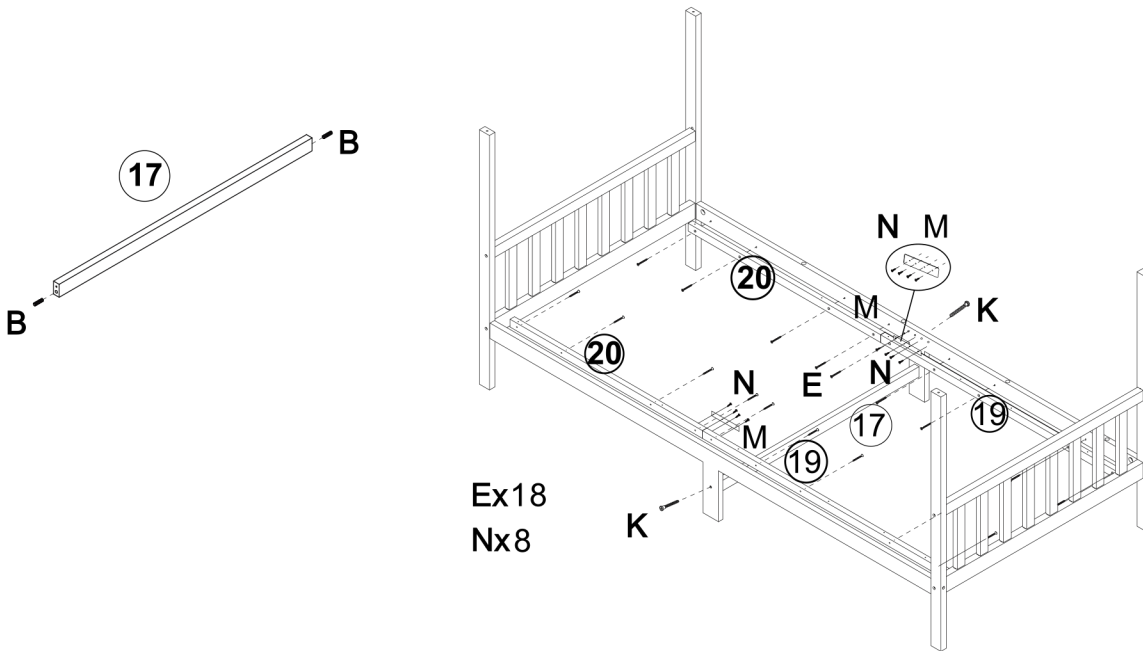


# 4.

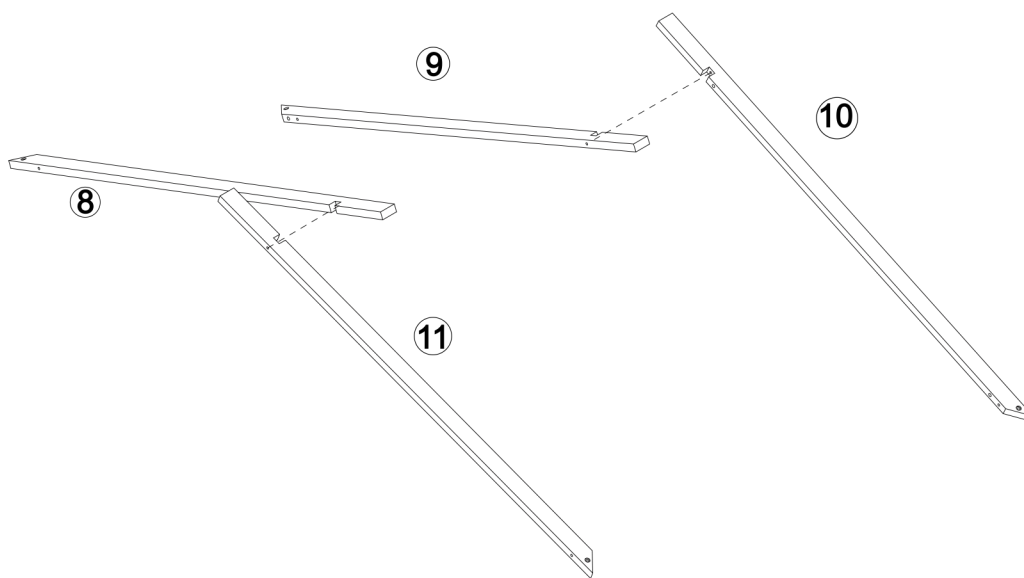


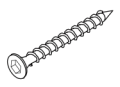
# 5.

B	x2	E	x18	K	x2	M	x2	N	x8
									
8x30mm		4x30mm		5x45mm				4x16cm	

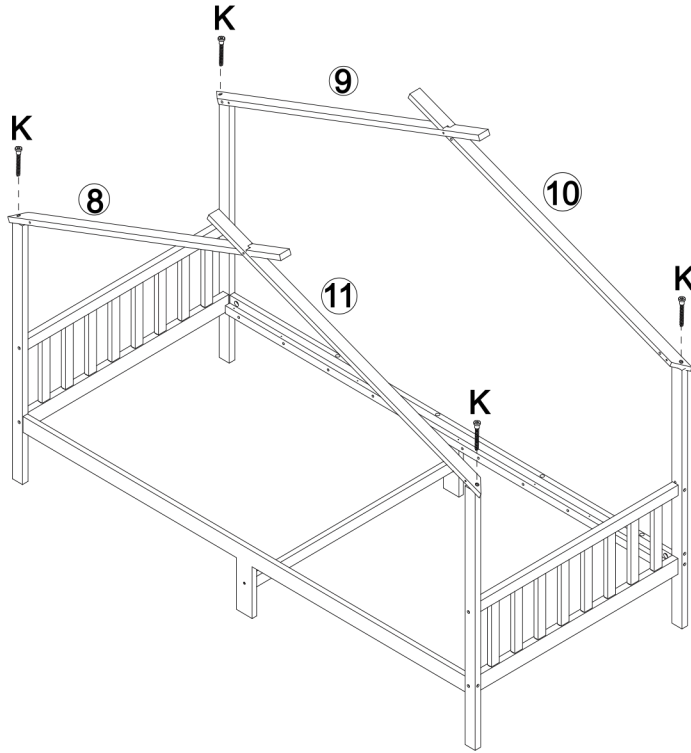


# 6.




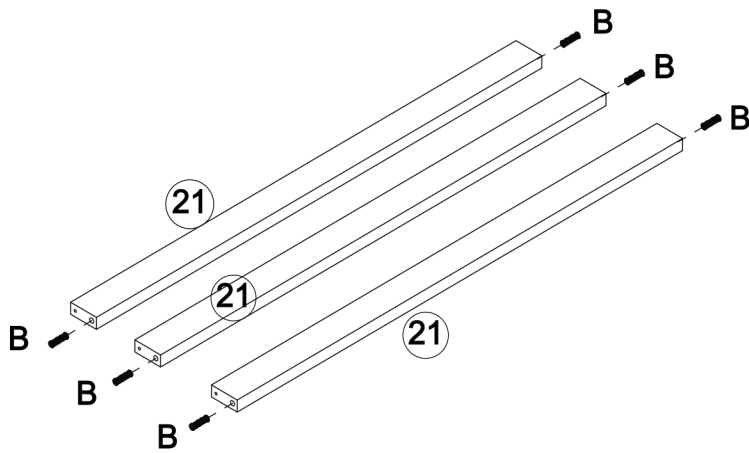
K	x4
	
5x45mm	

# 7.




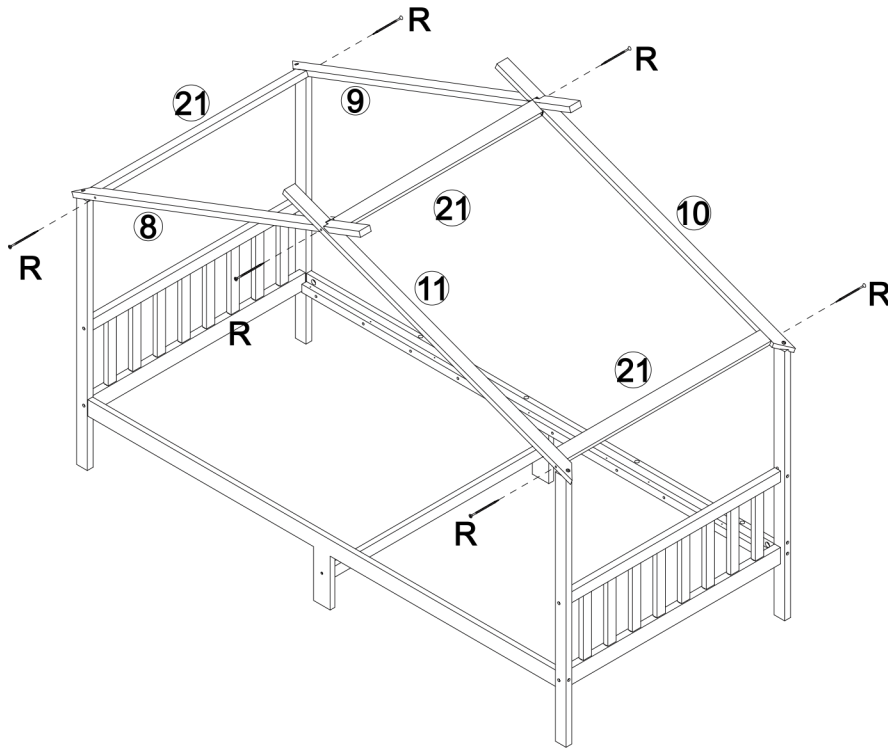
# 8.



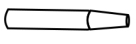
B	x6
	
8x30mm	



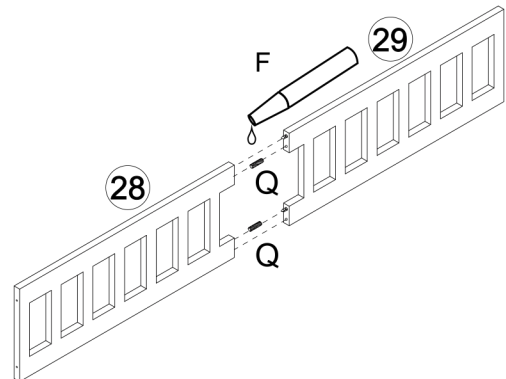
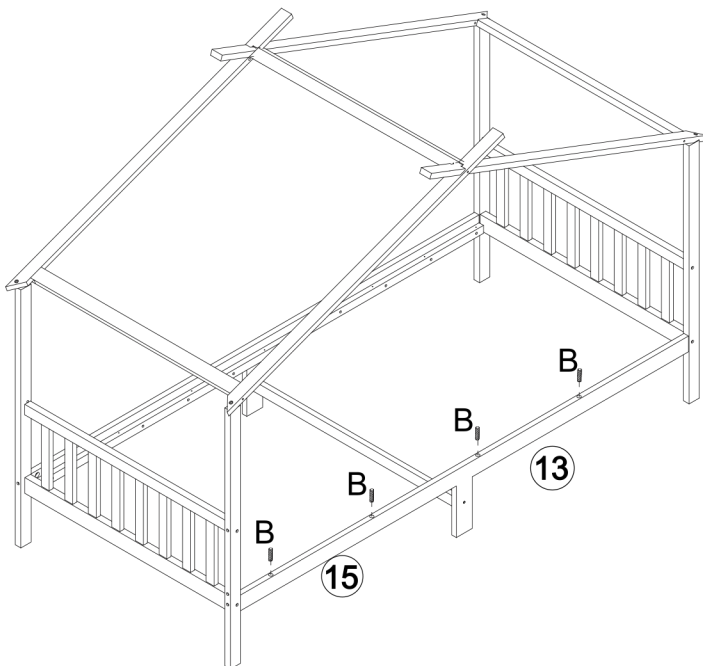
9.



R	x6
	
6x80mm	



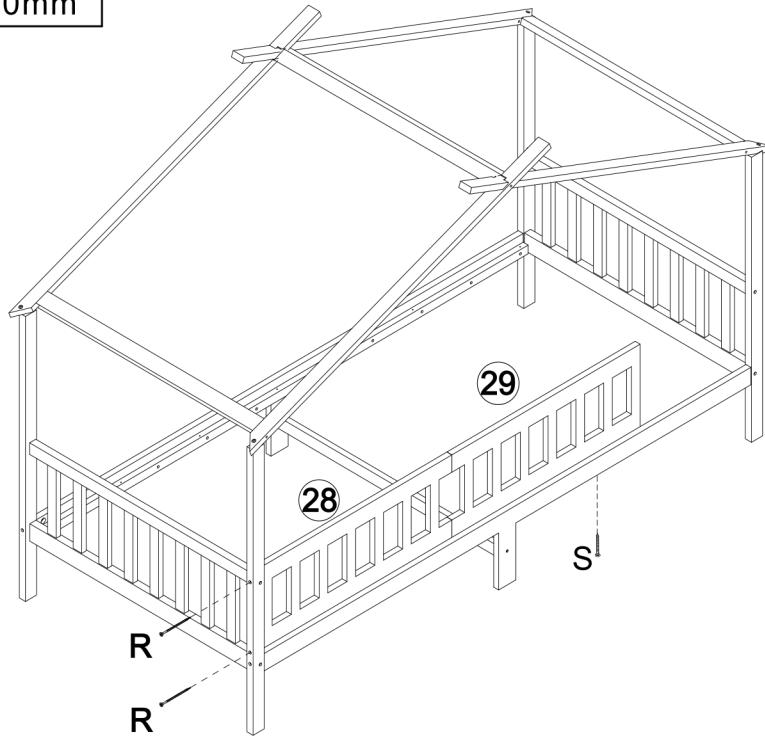
B	x4	Q	x2	F	x1
					
8x30mm		6x30mm			

10.




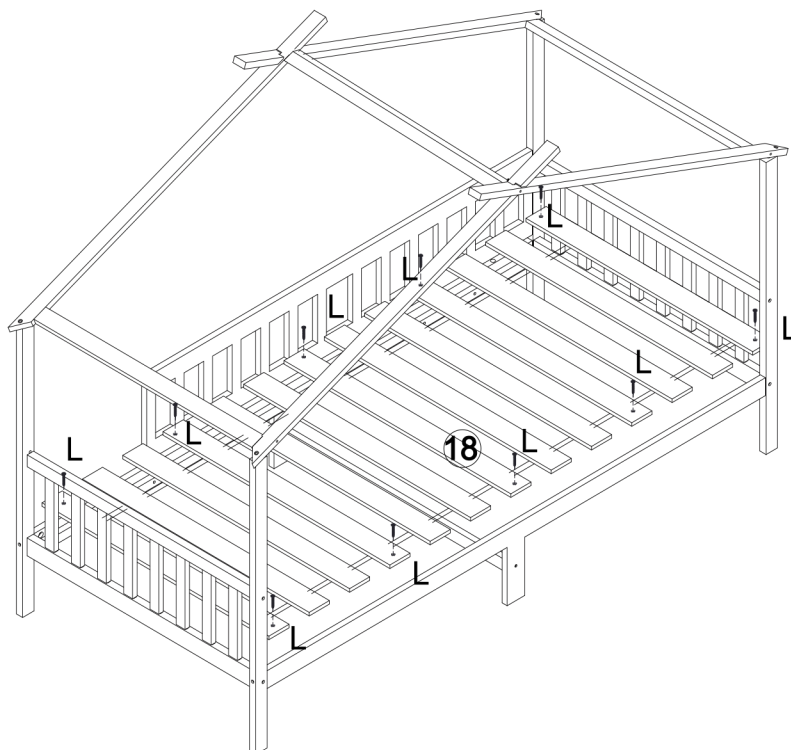
R	x2	S	x1
			
6x80mm		4X50mm	

**11.**





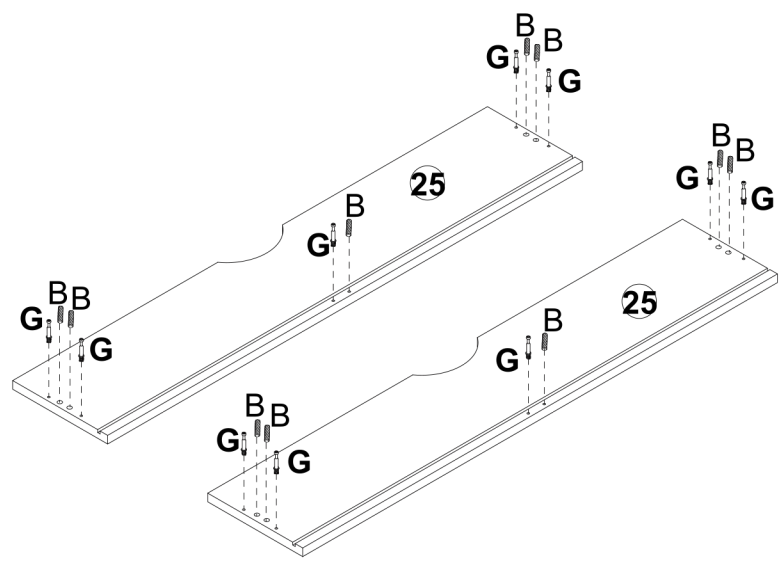
**12.**



L	x10
	
4x25mm	



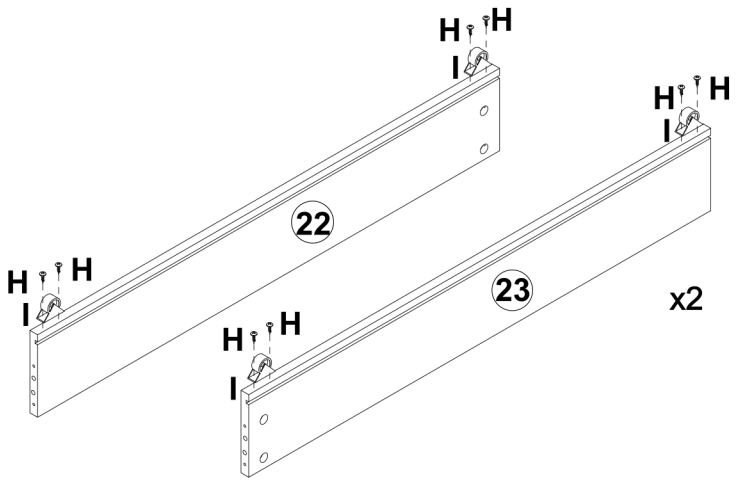
# 13.


B	x10	G	x10
			
8x30mm			



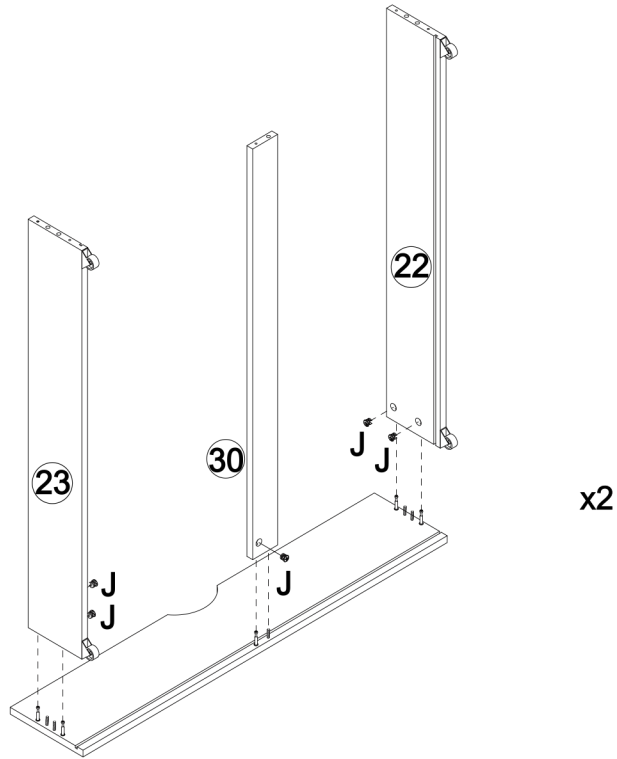
H	x16	I	x8
			
4x12mm			

# 14.

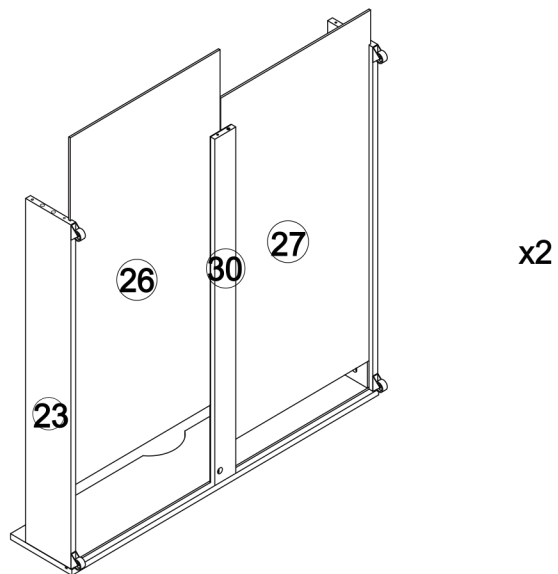


J	x10
	



# 15.

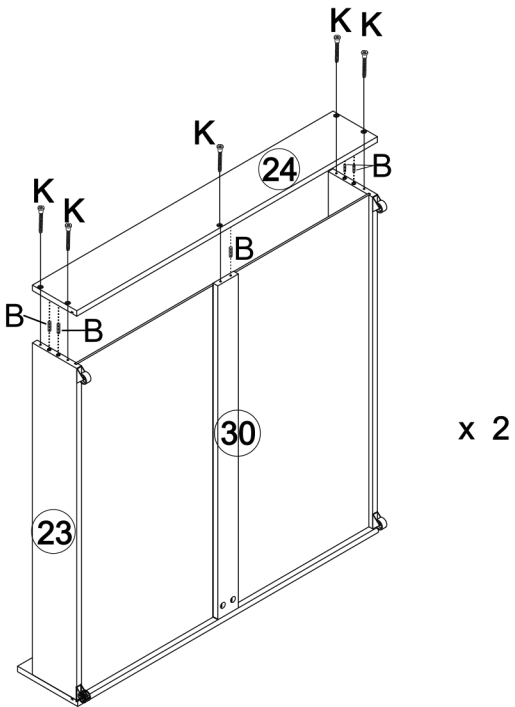



# 16.



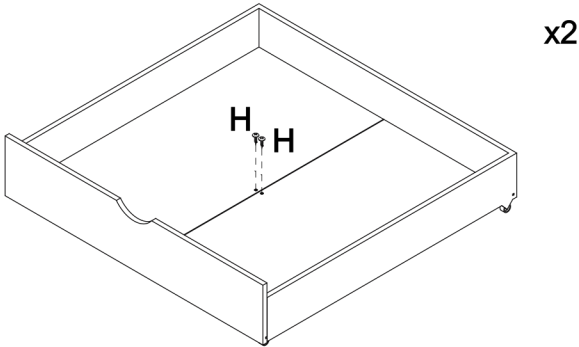
# 17.

B	x10	K	x10
			
8x30mm		5x45mm	

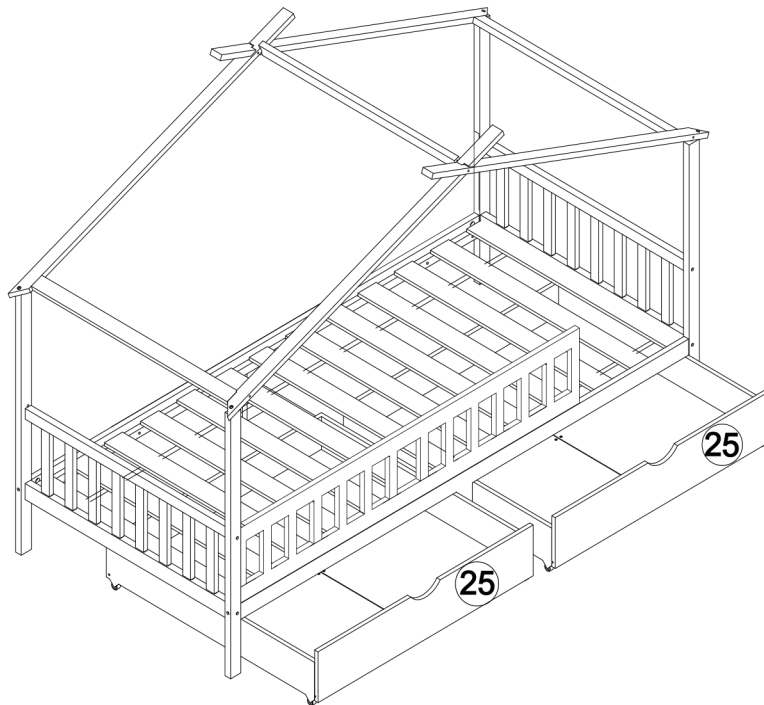


H	x4
	
4x12mm	


# 18.



19.



20.

P	x1
	
200×90cm	

