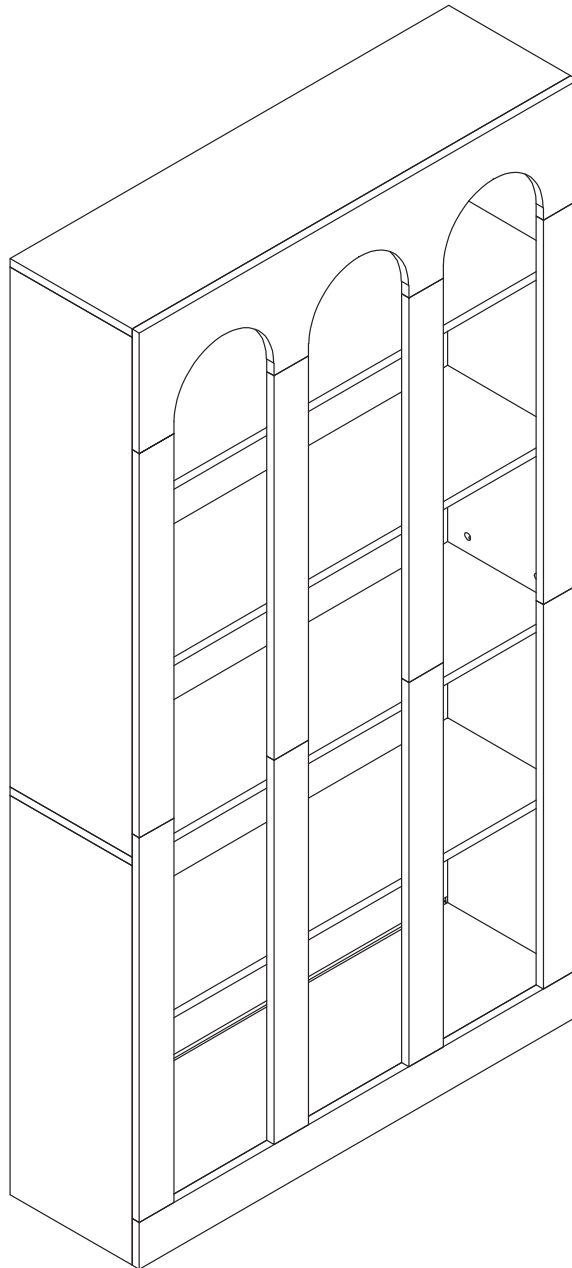


# ***Tribesigns***

DESIGNED FOR LIFE

## **Assembly Instructions**



**Bookshelf**

Model No.  
**HOGA-RY0163X**  
**HOGA-RY0201X**



**LITTLE TREE**  
Little Tree by Tribesigns

[www.tribesigns.com](http://www.tribesigns.com)



# Contact Us

## We're here to help you.




Your satisfaction is our top priority. If you encounter any issues with this product, such as missing or damaged parts, we're here to help. Please retain the original packaging and take photos of the packaging and the product, then contact us as soon as possible.

### Warm Tips

1. Carefully read these instructions and keep them for future reference.
2. Check the parts list and confirm everything's there before starting assembly.
3. When assembling, put all parts on a soft, smooth surface like a carpet to avoid scratches.
4. Don't fully tighten screws until all parts are confirmed in place to avoid misalignment.

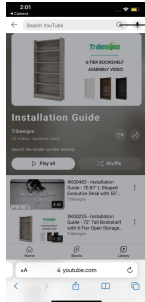
### How to Get the Assembly Video

**Step 1** Scan the QR code.



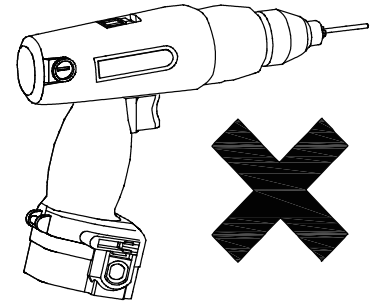
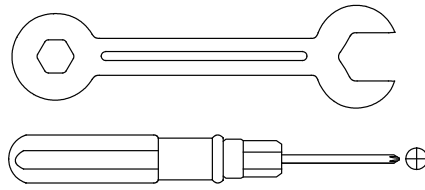
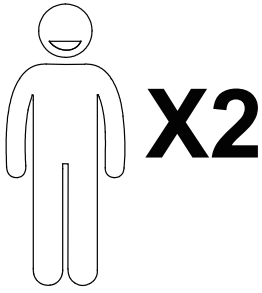
Installation Video

**Step 2** Search with the Model No. (on the bottom left corner of the title page)



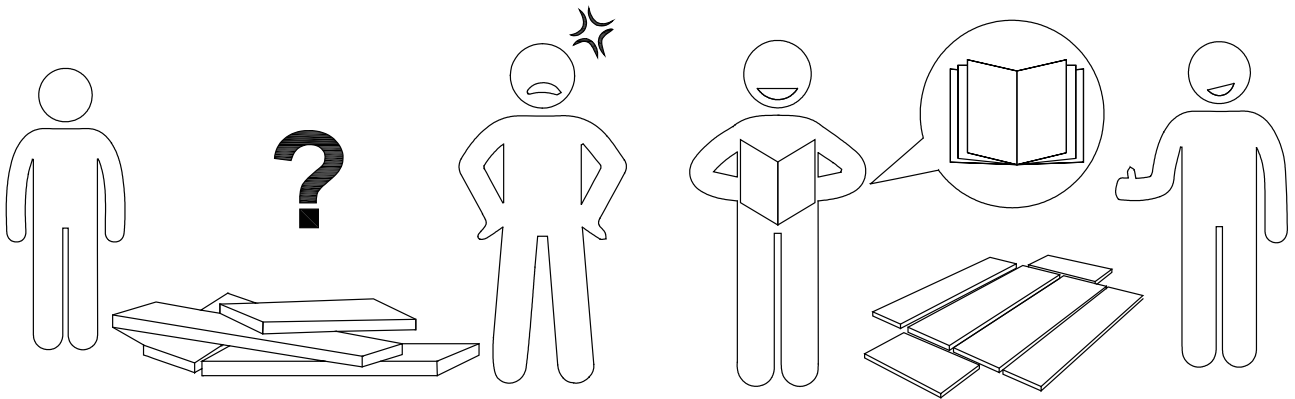
HOGA- RY0163X

Note: If you can't find the assembly video, please contact us.



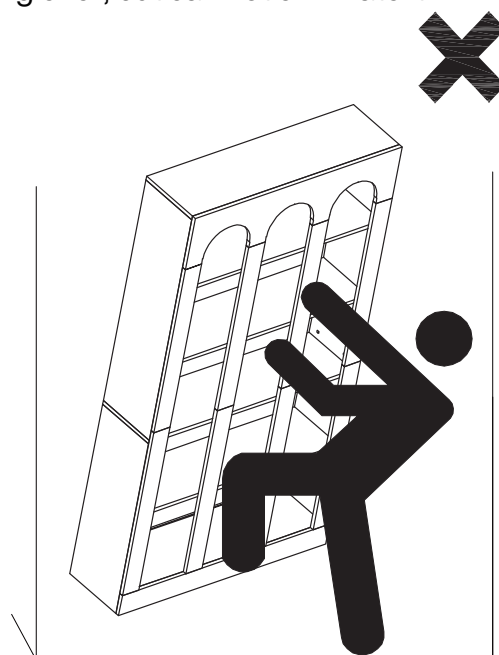
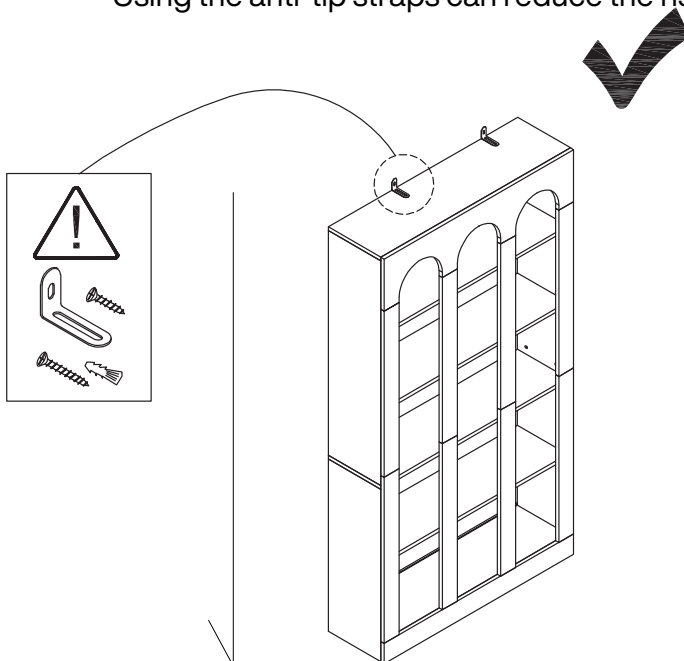
We recommend using hand tools for assembly.

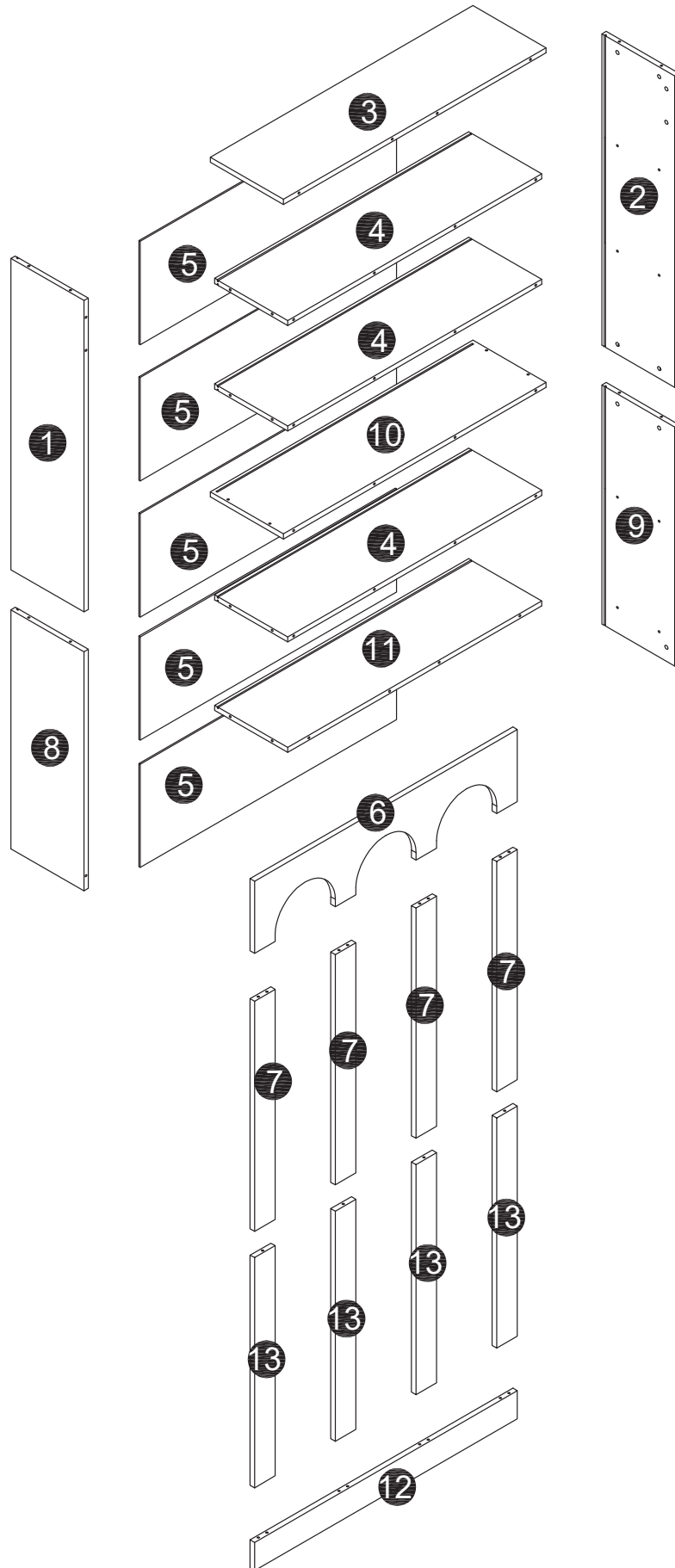
If an electric screwdriver is used, reduce power and torque to avoid damage to the product.



### Install the Anti-Tip Straps

Using the anti-tip straps can reduce the risk of tipping over, but can not eliminate it.



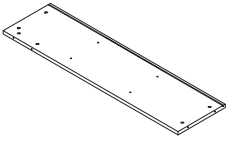
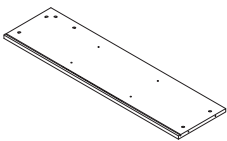
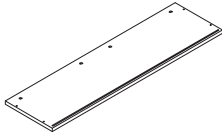
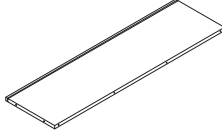
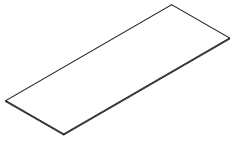
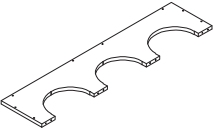
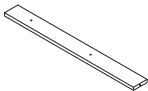
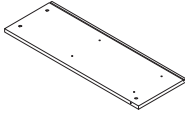
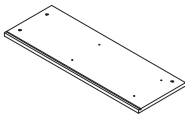
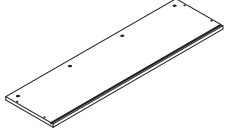
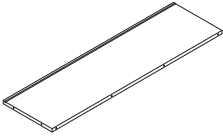
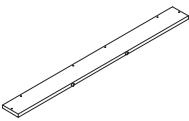
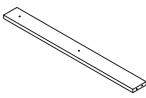


**⚠ Caution**





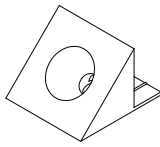
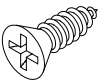
Make sure all parts are included. Most board parts are labeled or stamped on the raw edge. Contact us for a free replacement if you encounter any damaged or missing parts.

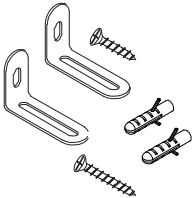



# Parts List

 ① 1pc	 ② 1pc	 ③ 1pc	 ④ 3pcs	 ⑤ 5pcs
 ⑥ 1pc	 ⑦ 4pcs	 ⑧ 1pc	 ⑨ 1pc	 ⑩ 1pc
 ⑪ 1pc	 ⑫ 1pc	 ⑬ 4pcs		

# Hardware List

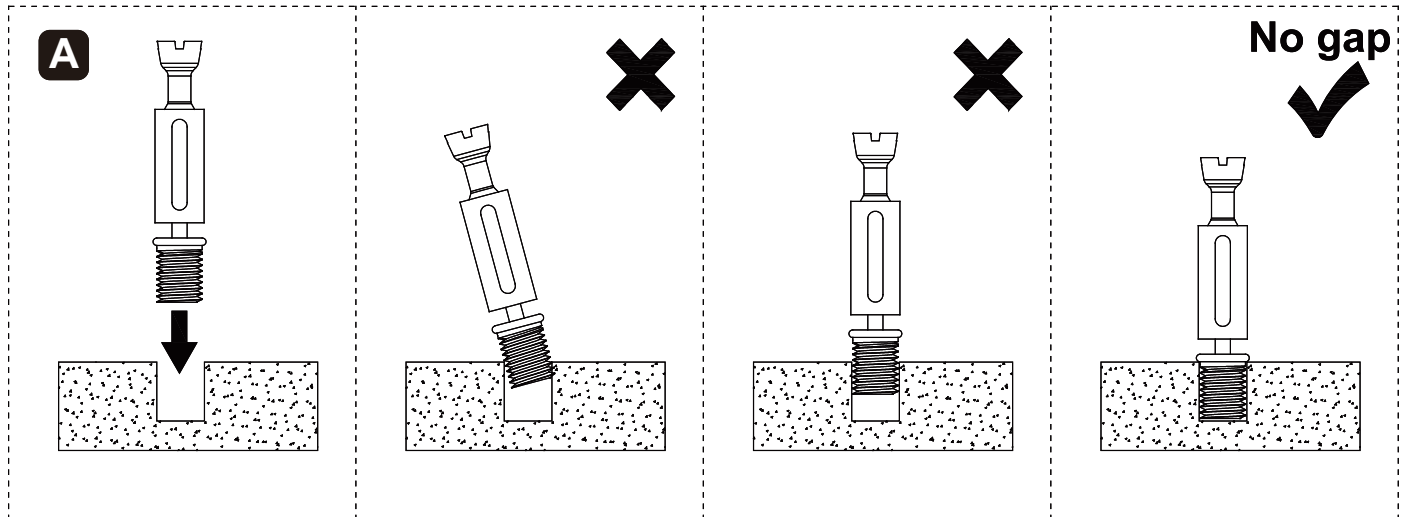
A	B	C	D	E	F
					
M6x35mm		Ø8x40mm			
58 pcs	58 pcs	20 pcs	58 pcs	18 pcs	18 pcs

G	H				
					
2 sets	1pc				

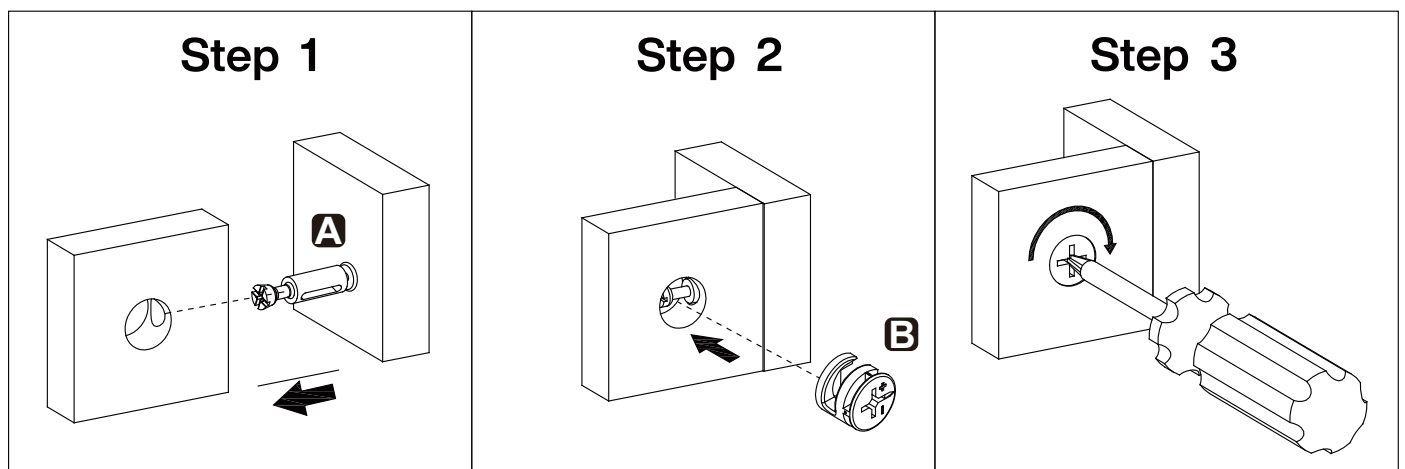


# Installation of Cams and Pins

Read each step carefully before starting. Each step of instruction should be performed in the correct order. If these steps are not followed in sequence, assembly difficulties may occur.

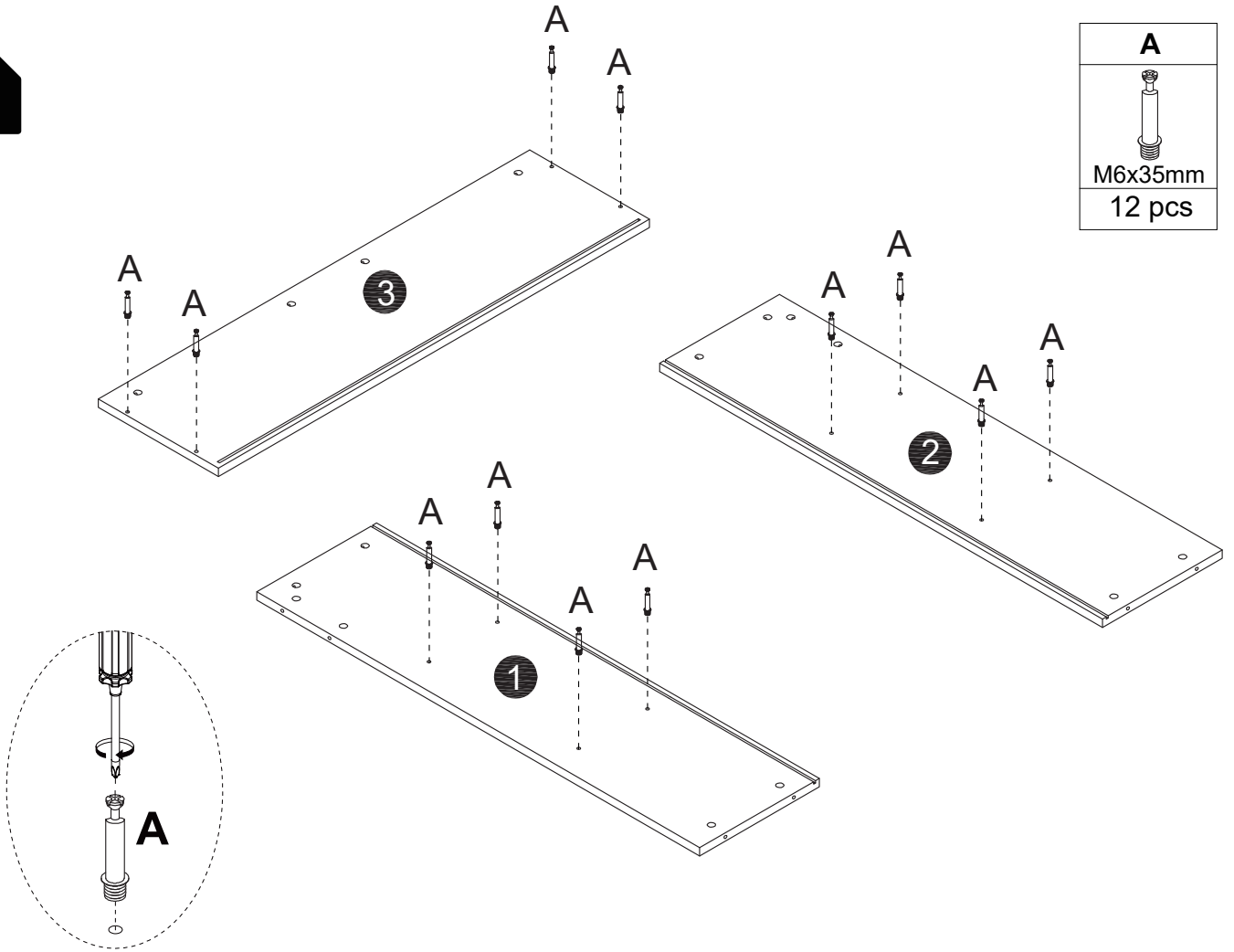


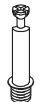
Screw the pin into the hole. Set the cams correctly by aligning the head of the cams with the lock pins. Lock the cam by turning the cam head with a screwdriver until it is tightened. Please do not use an electric screwdriver to assemble the unit.



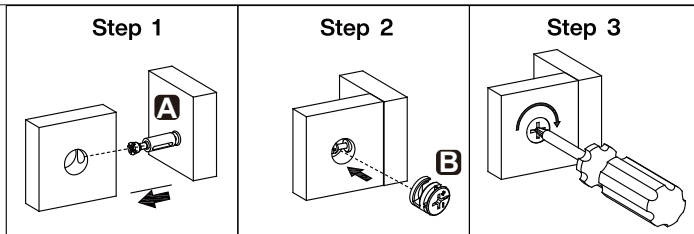


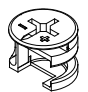
1

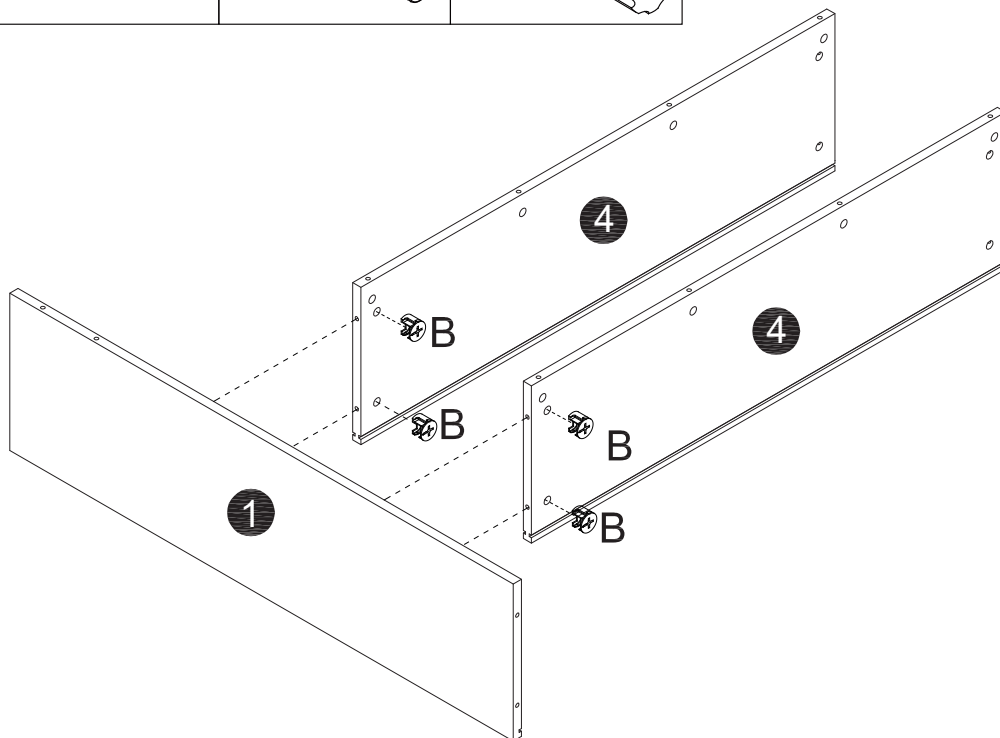


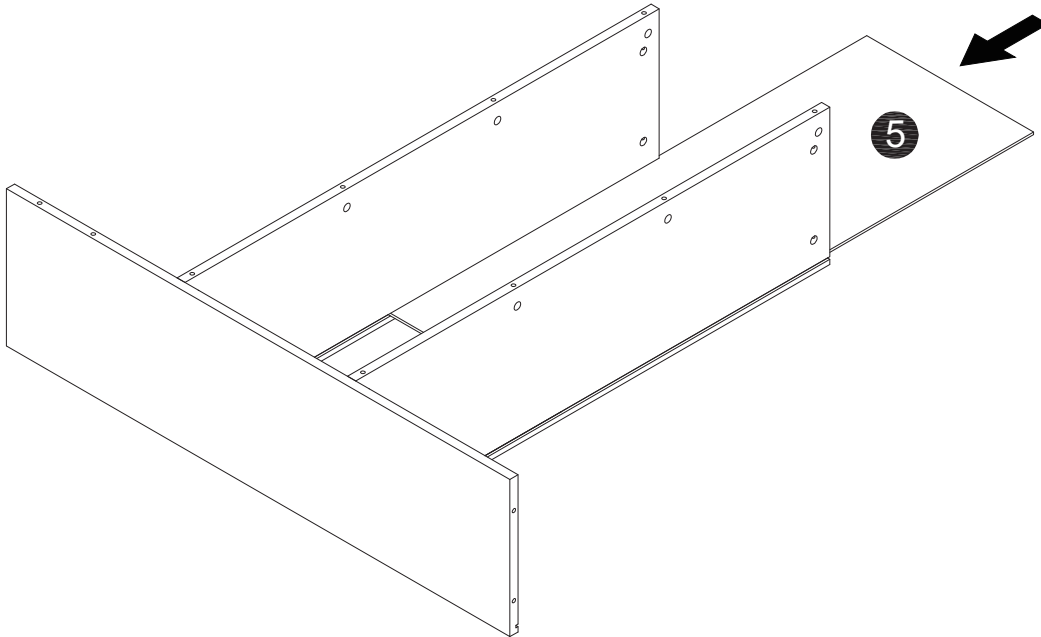
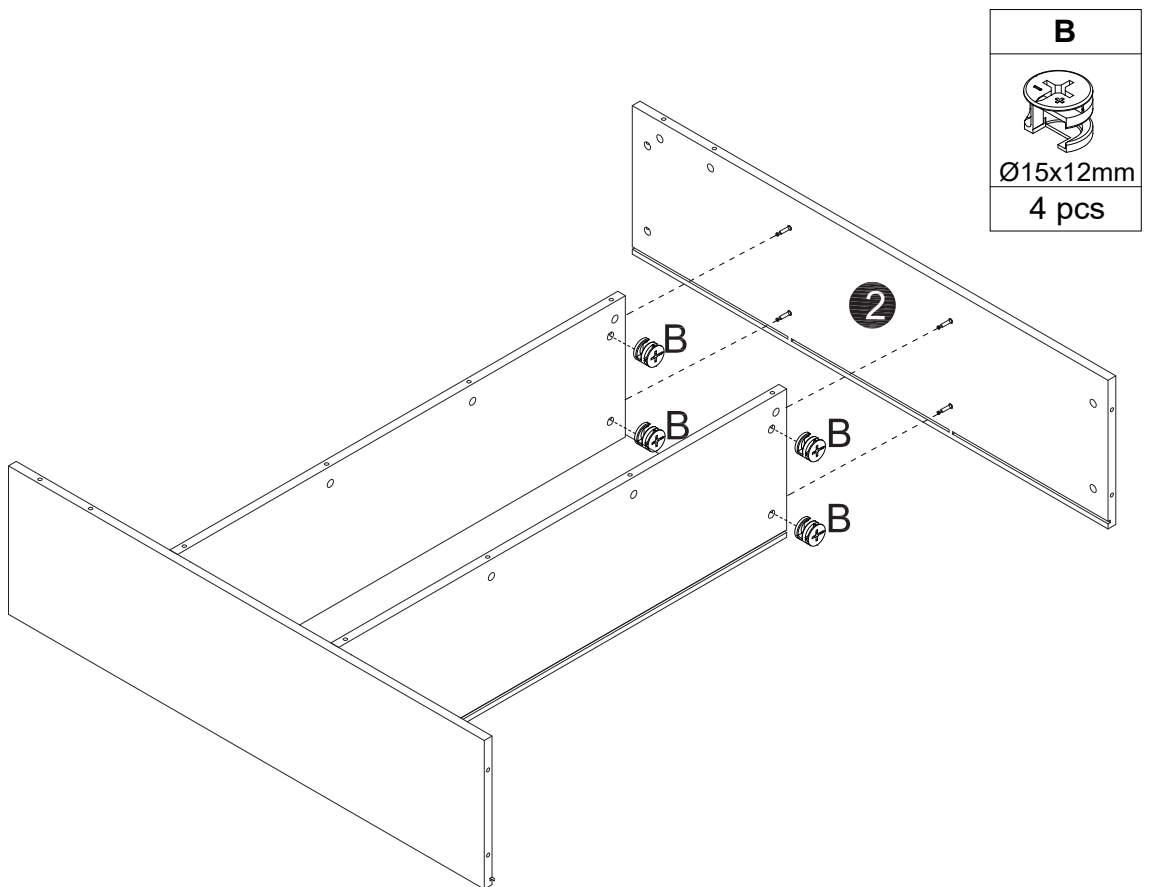
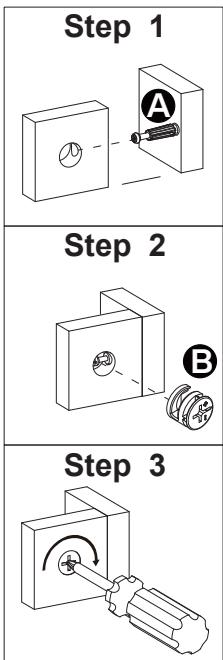
<b>A</b>

M6x35mm
12 pcs

2

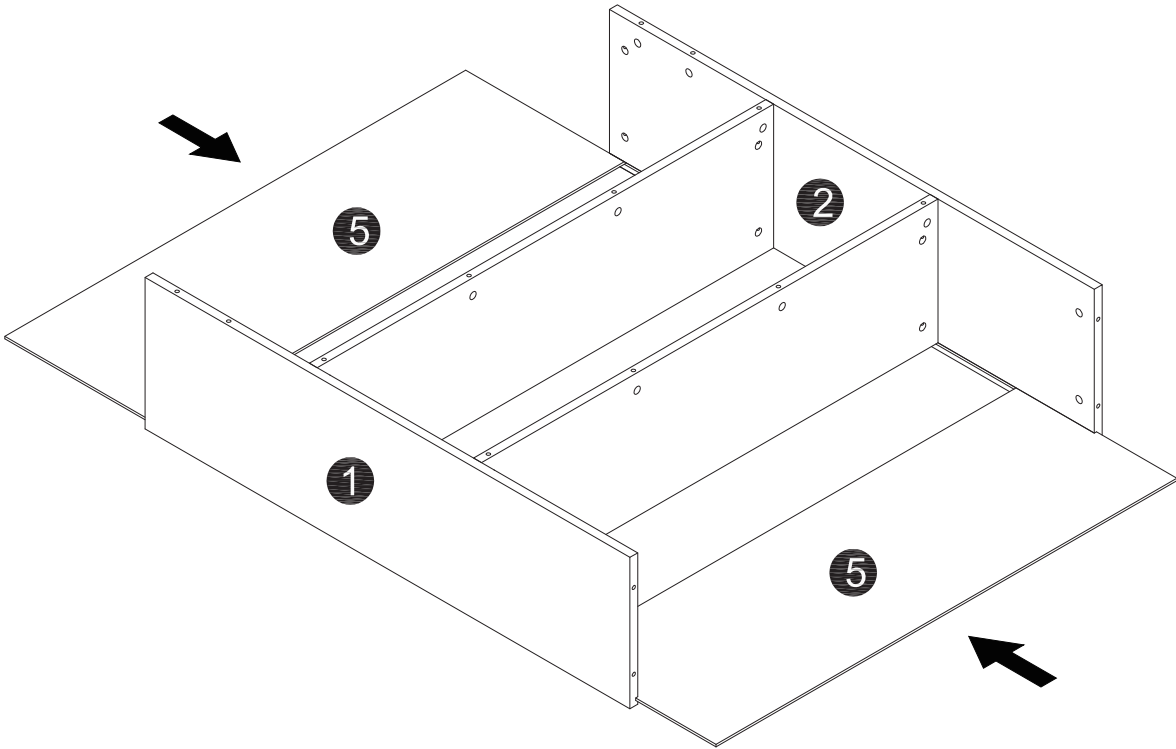


<b>B</b>

Ø15x12mm
4 pcs

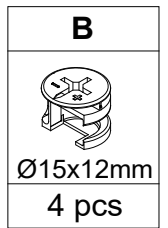
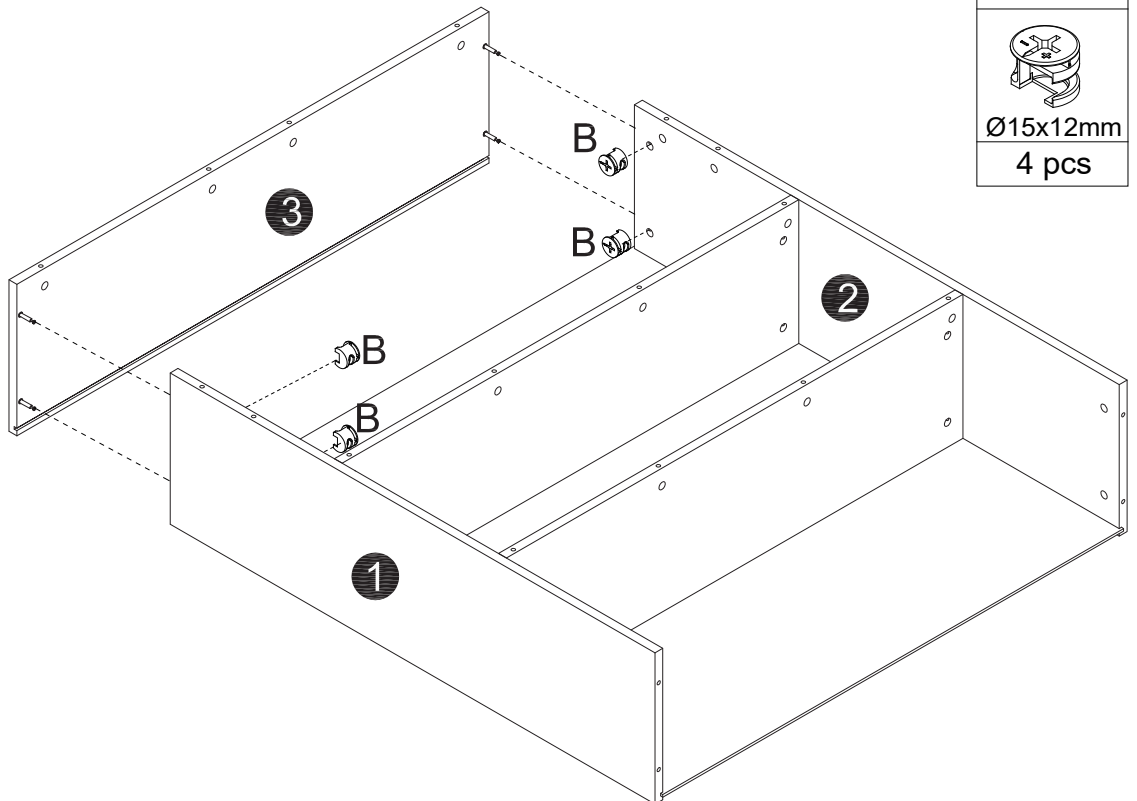
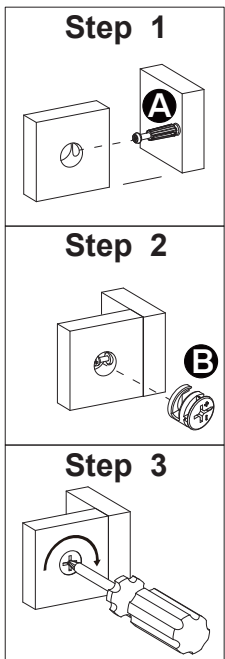


**3****4**

5


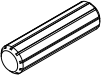


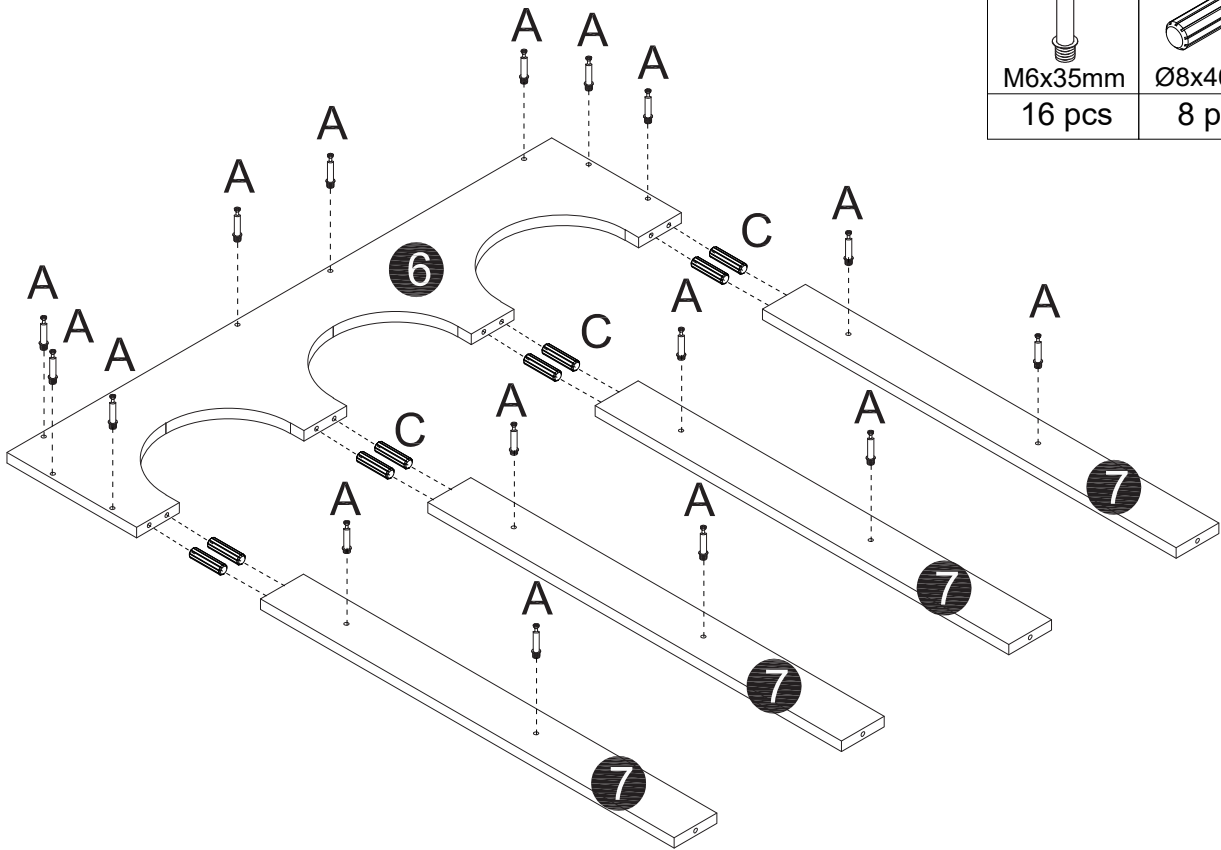
6






7

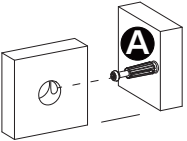
A	B
	
M6x35mm 16 pcs	Ø8x40mm 8 pcs



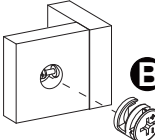
8

B

Ø15x12mm 16 pcs

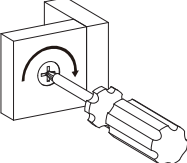
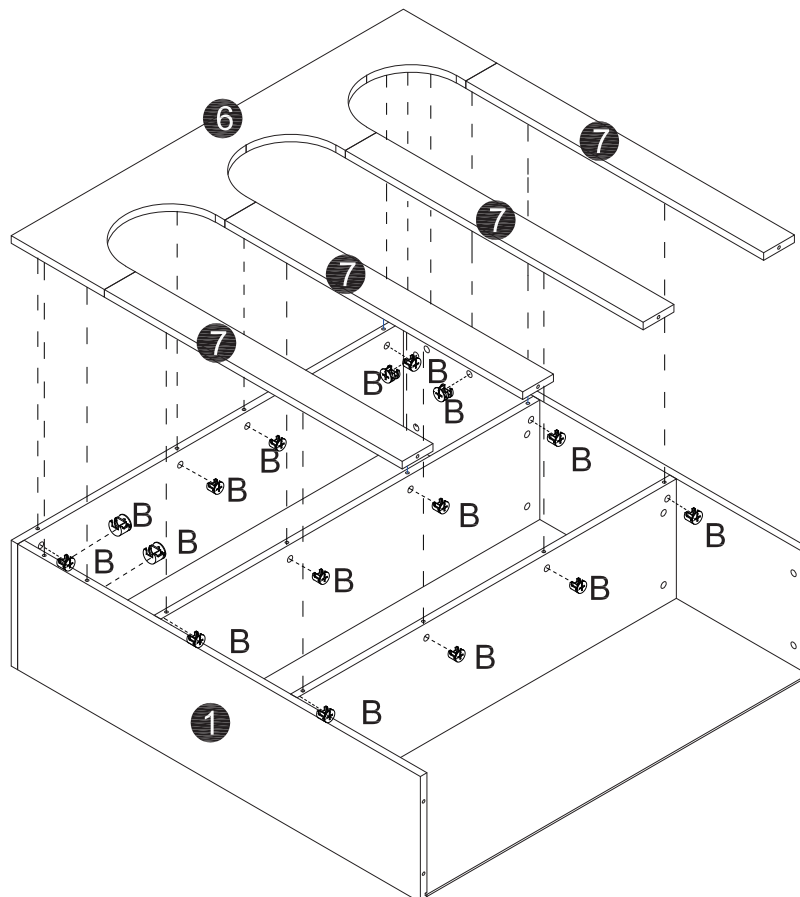
**Step 1**



**Step 2**



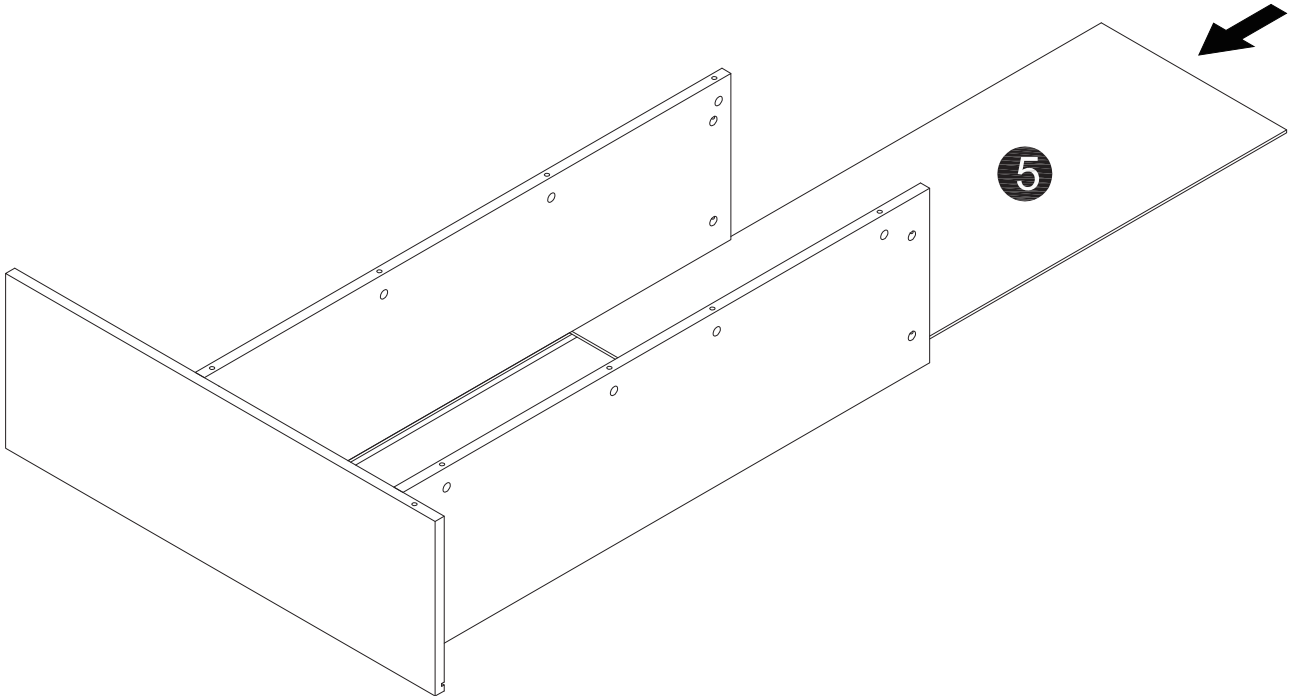
**Step 3**

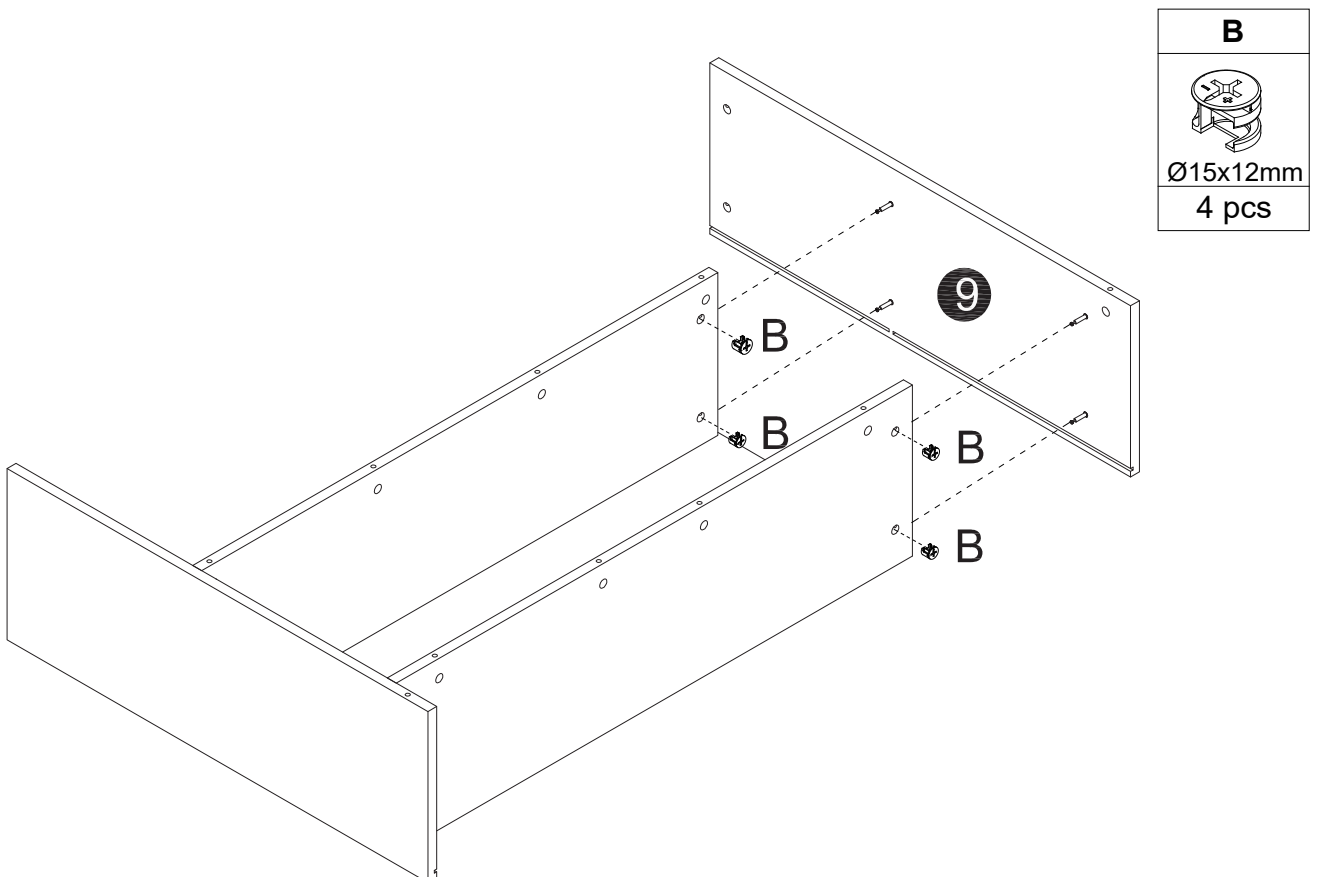




11

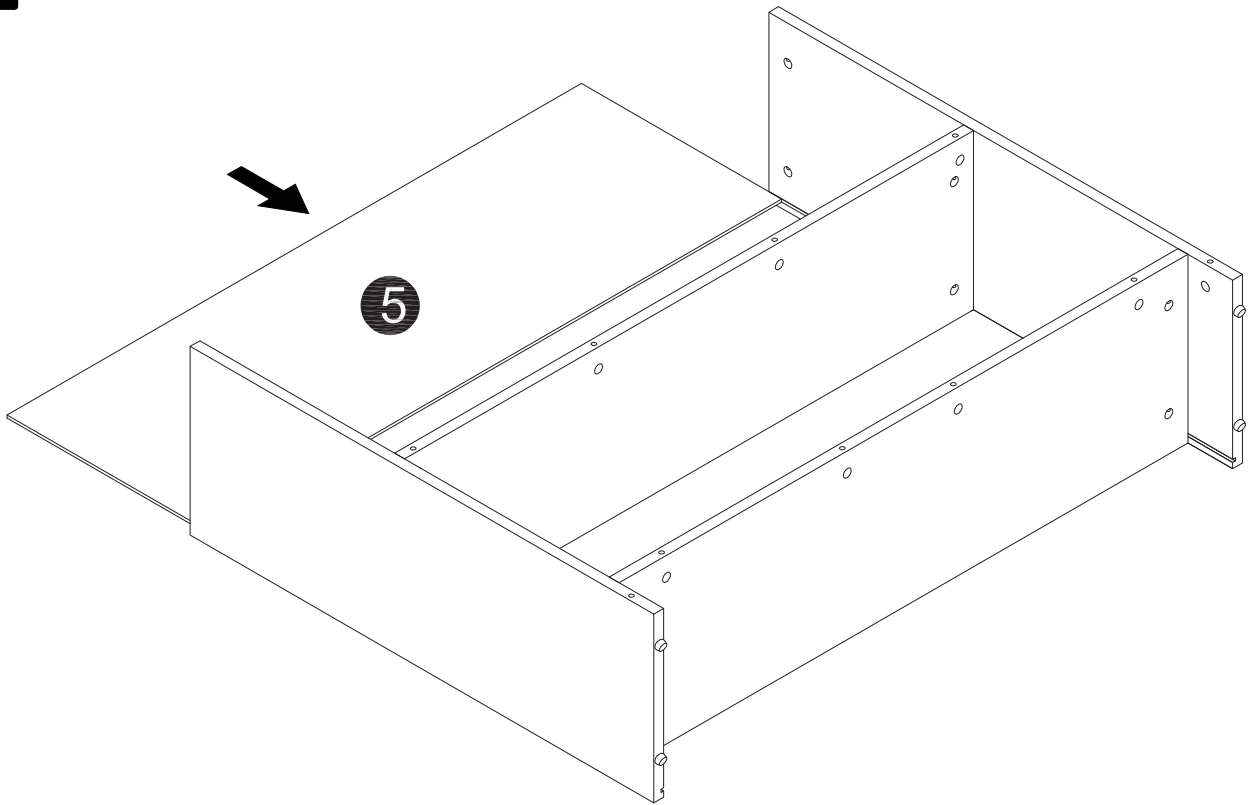


12

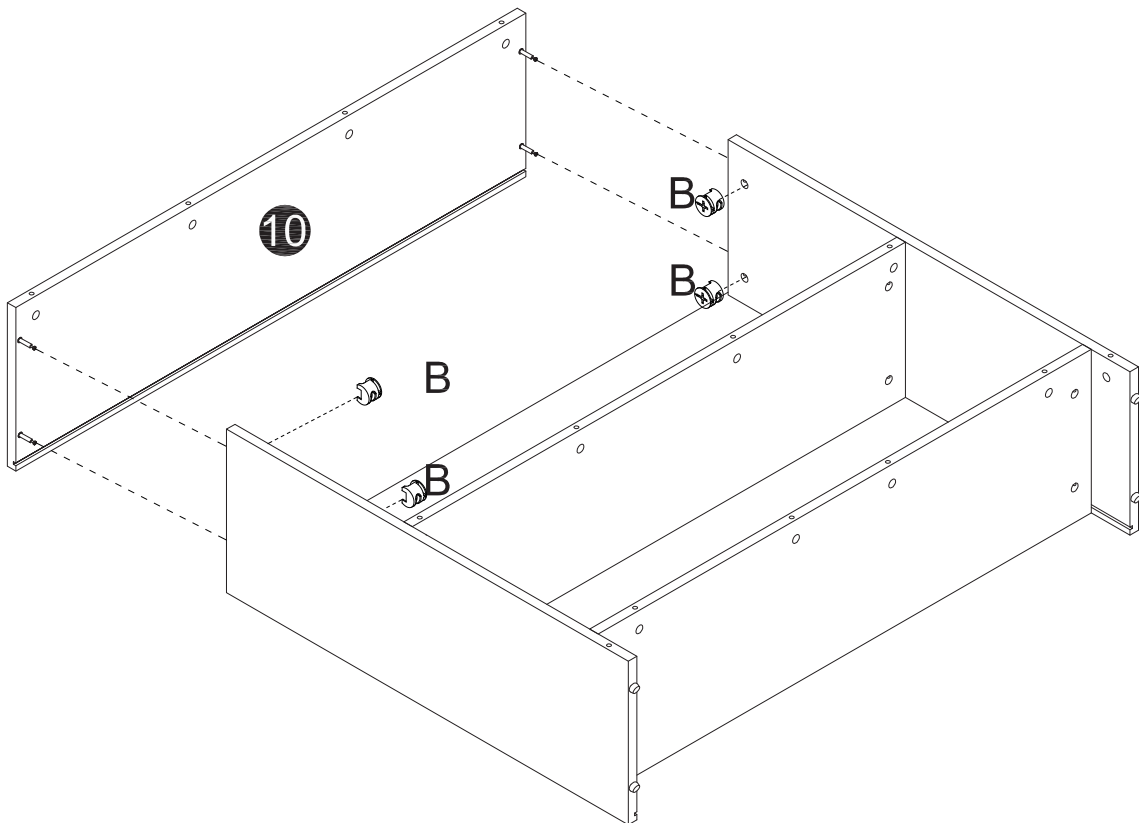


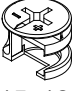


13



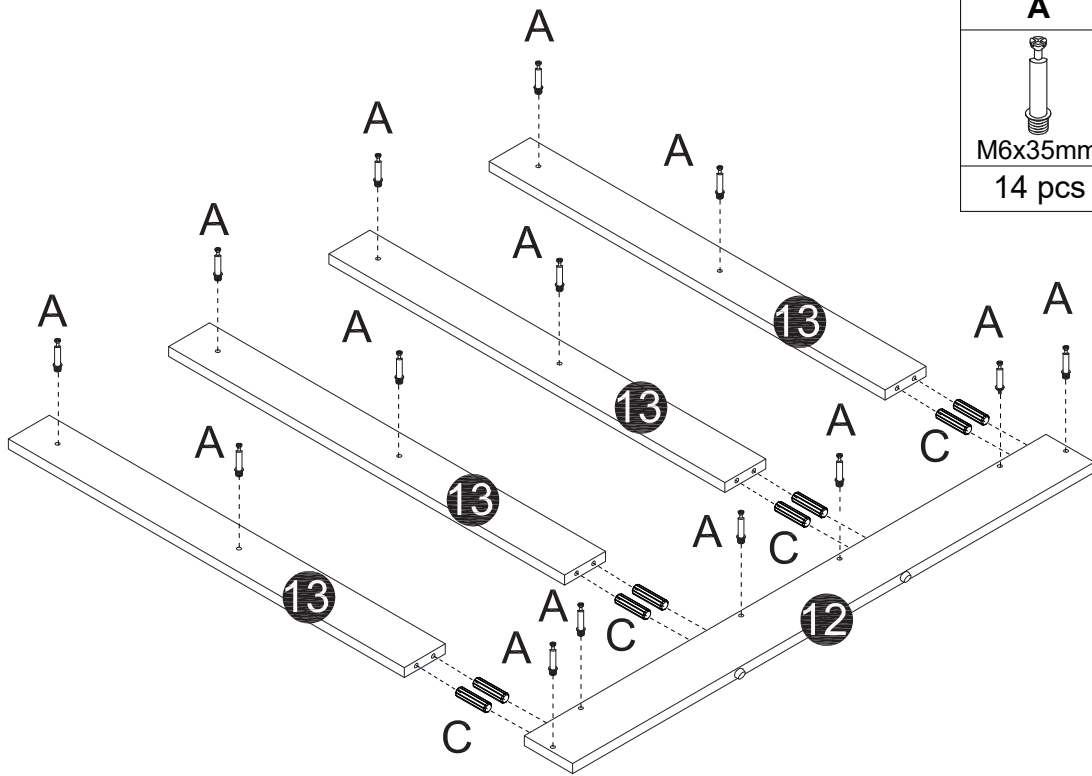
14


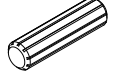


<b>B</b>

Ø15x12mm
4 pcs

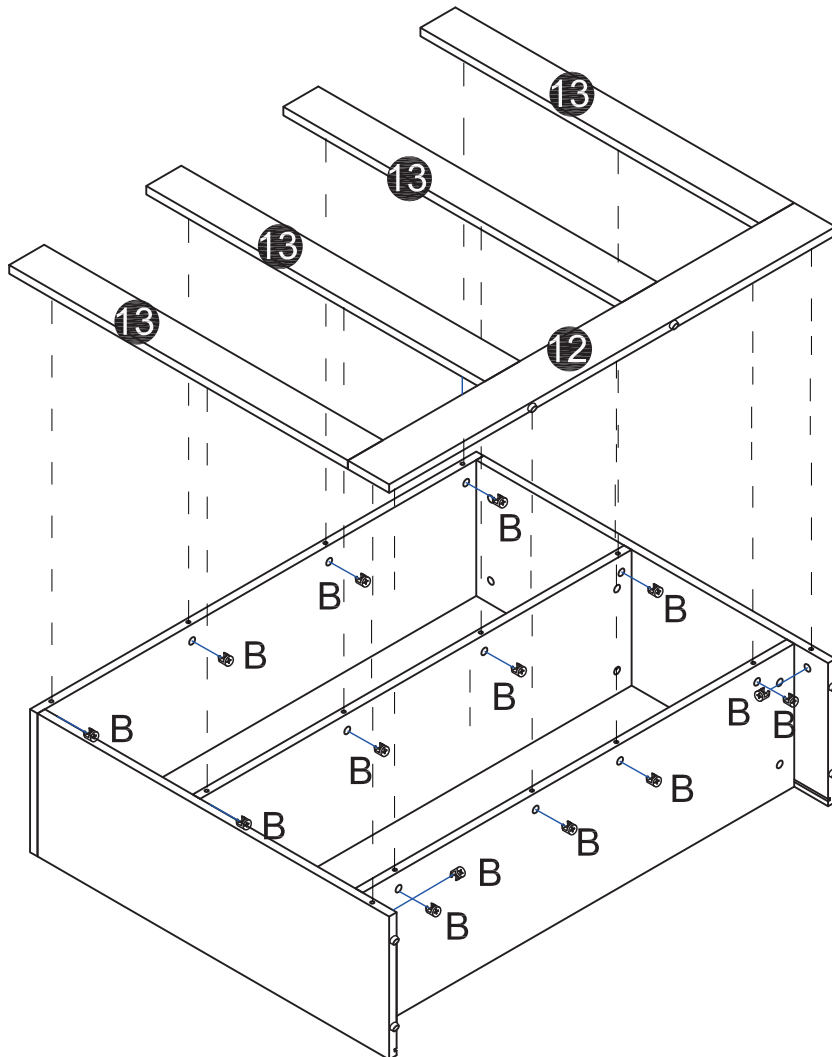


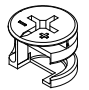
15

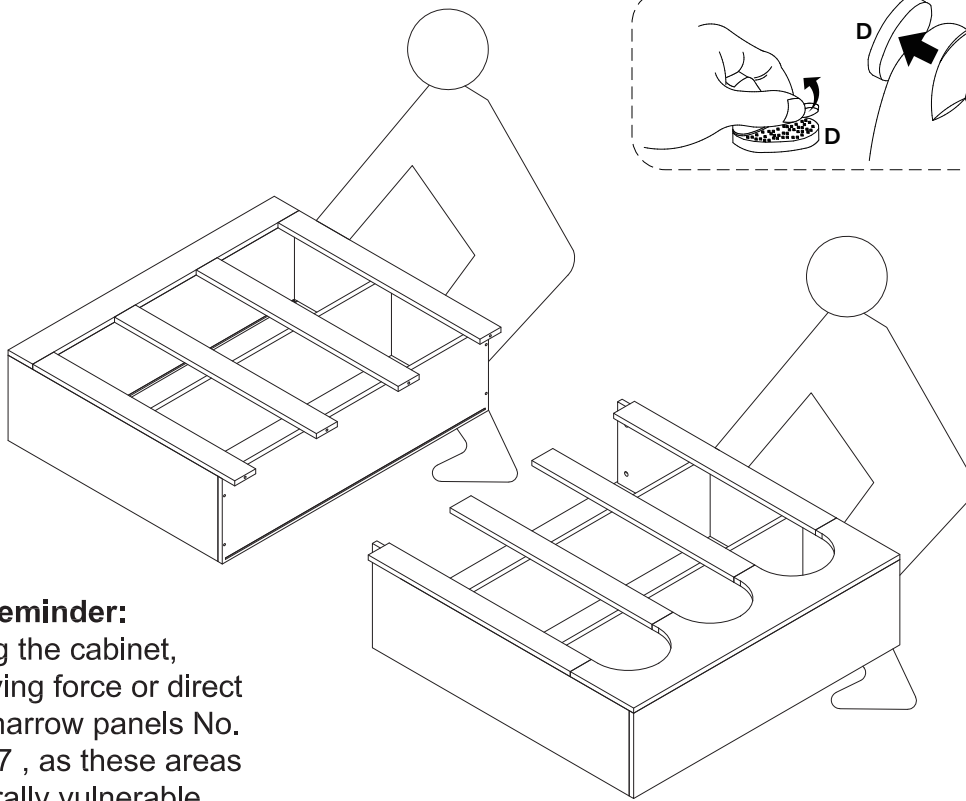


A	B
	
M6x35mm 14 pcs	Ø8x40mm 8 pcs

16



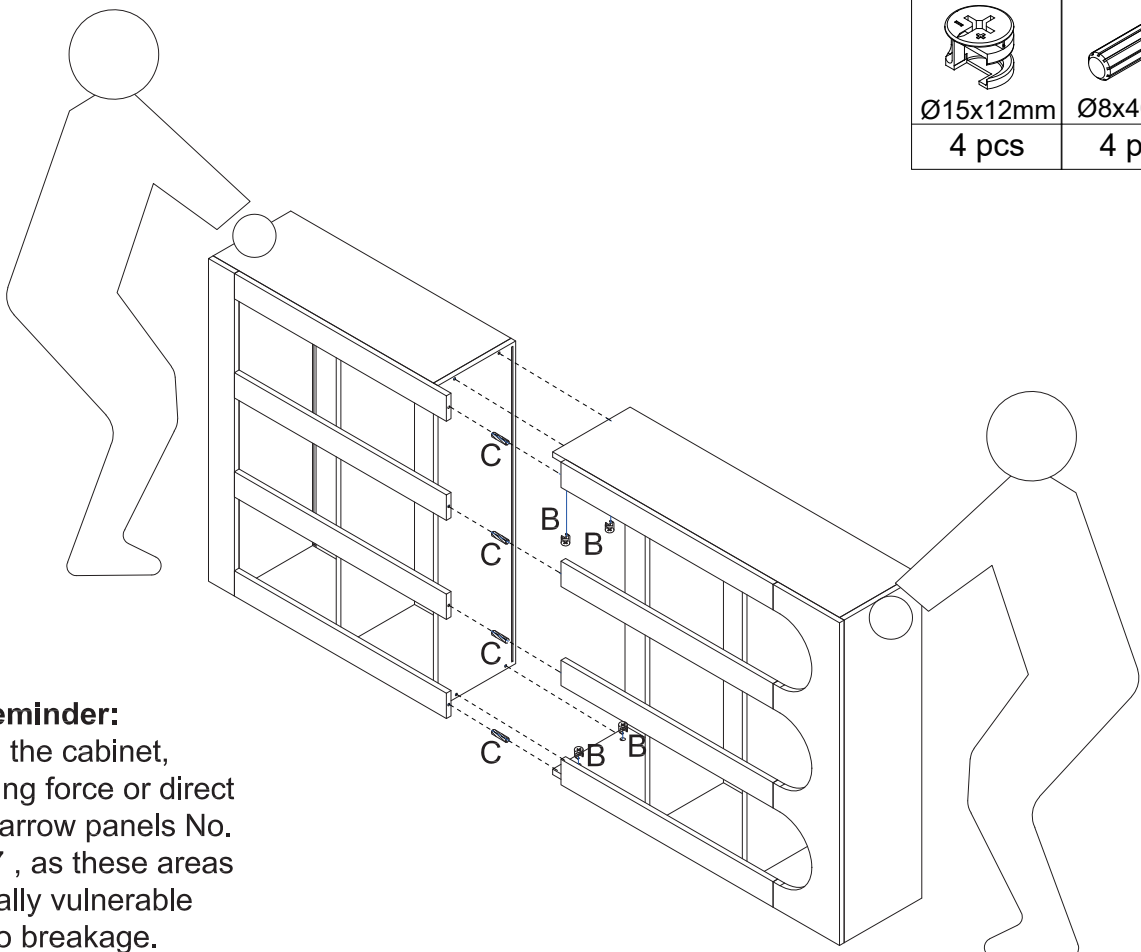
B

Ø15x12mm 14 pcs

**17**


<b>D</b>
58 pcs

**Friendly Reminder:**

When lifting the cabinet, avoid applying force or direct contact to narrow panels No. 13 and No.7, as these areas are structurally vulnerable and prone to breakage.

**18**


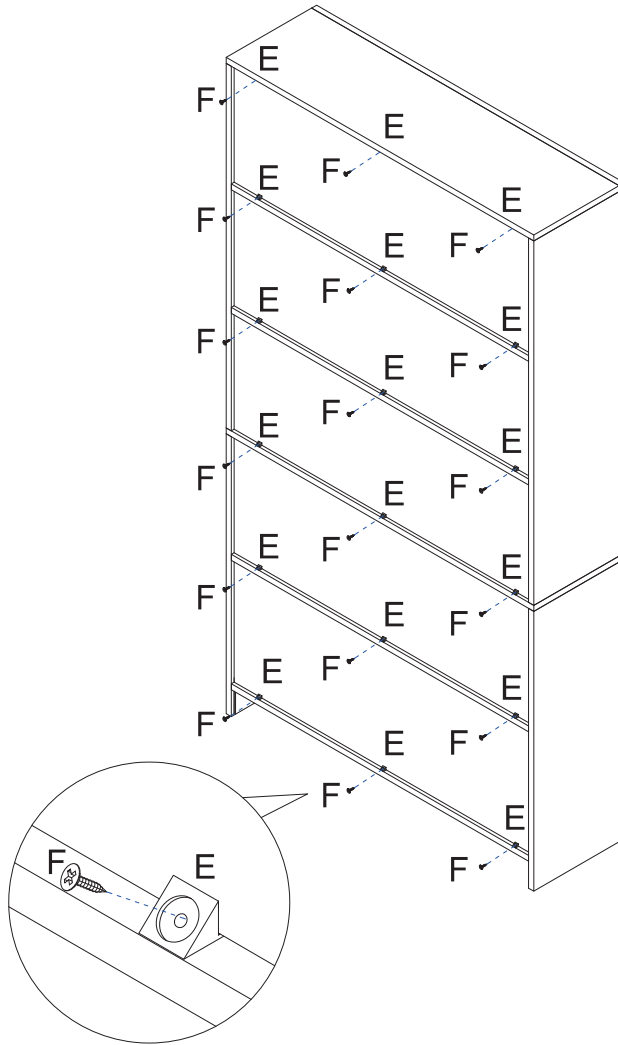
<b>B</b>	<b>C</b>
Ø15x12mm	Ø8x40mm
4 pcs	4 pcs

**Friendly Reminder:**

When lifting the cabinet, avoid applying force or direct contact to narrow panels No. 13 and No.7, as these areas are structurally vulnerable and prone to breakage.

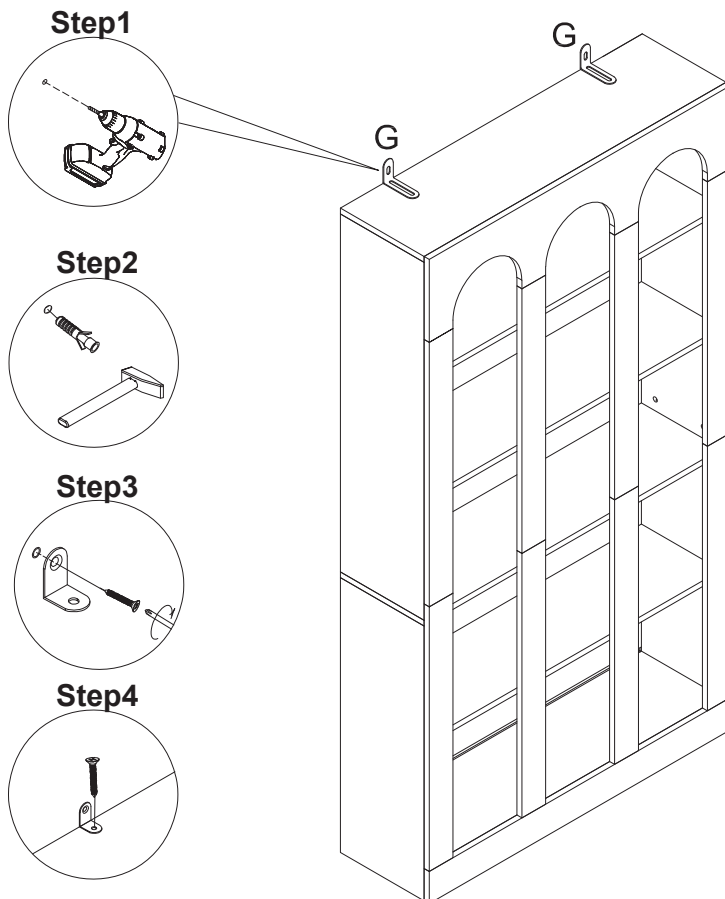


19



E	F
18 pcs	18 pcs

20

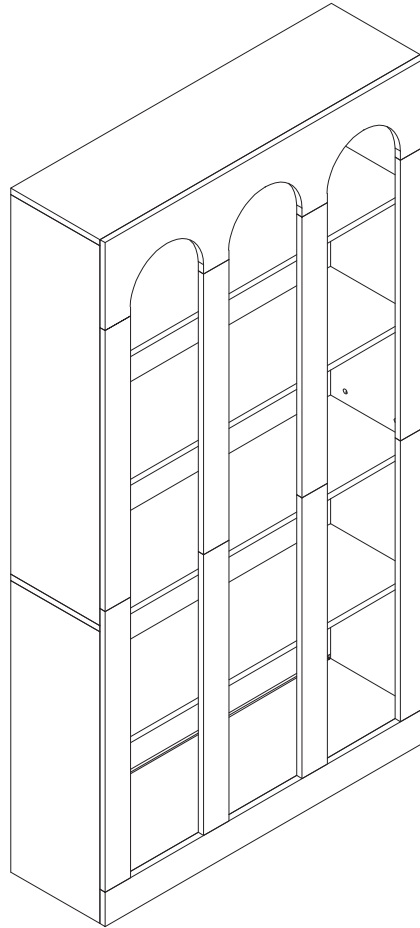


G
2 sets



DESIGNED FOR LIFE

Thank you for your support!



Contact our customer service team



support@tribesigns.com  
www.tribesigns.com



1-424-220-6888

7 AM to 8 PM EST,  
Monday to Friday

Follow Tribesigns



Facebook



Instagram



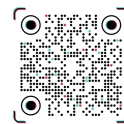
Pinterest



Twitter



YouTube



TikTok



WhatsApp