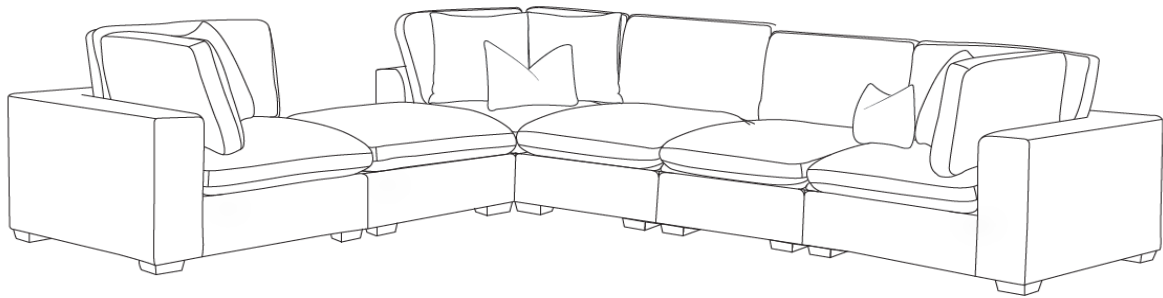


# ASSEMBLY INSTRUCTIONS



*Fine Furniture for every stage of life*

**Armless Chair**

# ASSEMBLY INSTRUCTIONS

## ASSEMBLY TIPS:

1. Remove hardware from box and sort by size.
2. Please check to see that all hardware and parts are present prior to start of assembly.
3. Please follow attached instructions in the same sequence as numbered to assure fast & easy assembly.



### WARNING!

1. Don't attempt to repair or modify parts that are broken or defective. Please contact the store immediately.
2. This product is for home use only and not intended for commercial establishments.

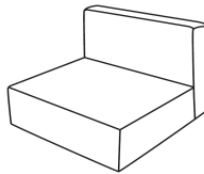


ASSEMBLY TIME

15 MINUTES

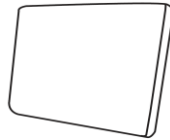
## PARTS IDENTIFICATION

A BODY FRAME



1PC

B BACK CUSHION



1PC

C SEAT CUSHION



1PC

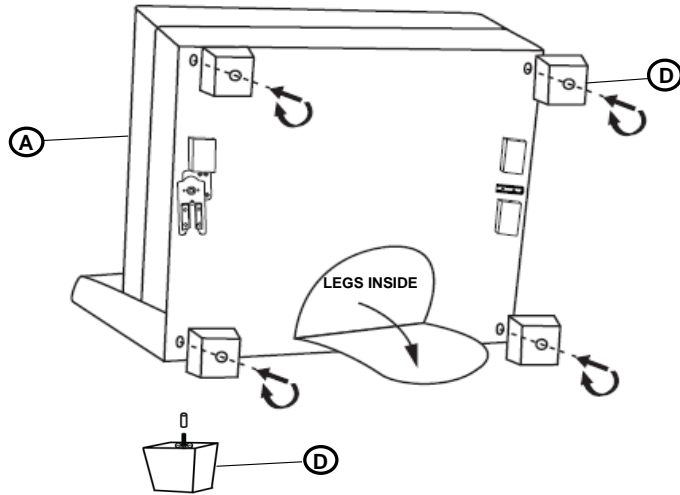
D LEG



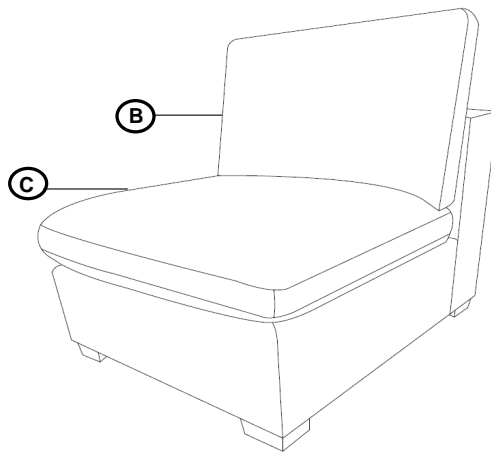
4PCS

# ASSEMBLY INSTRUCTIONS

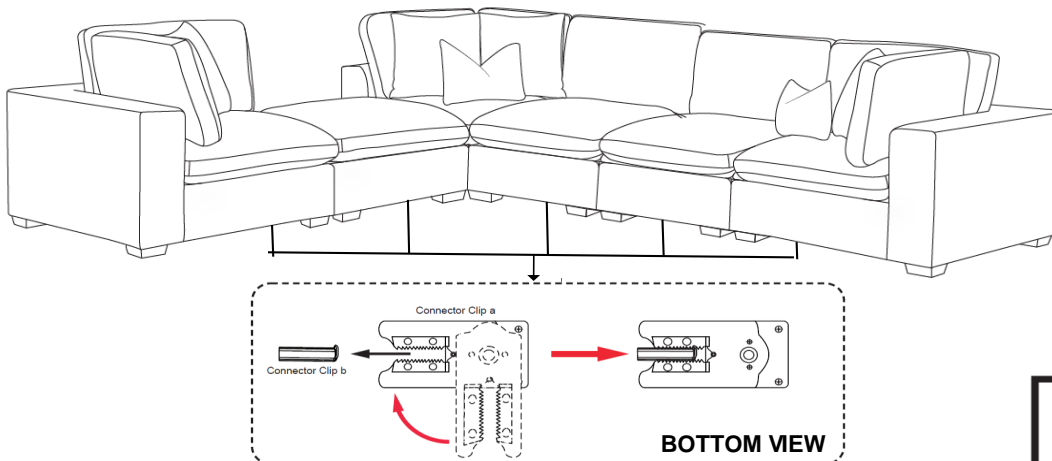
## STEP 1

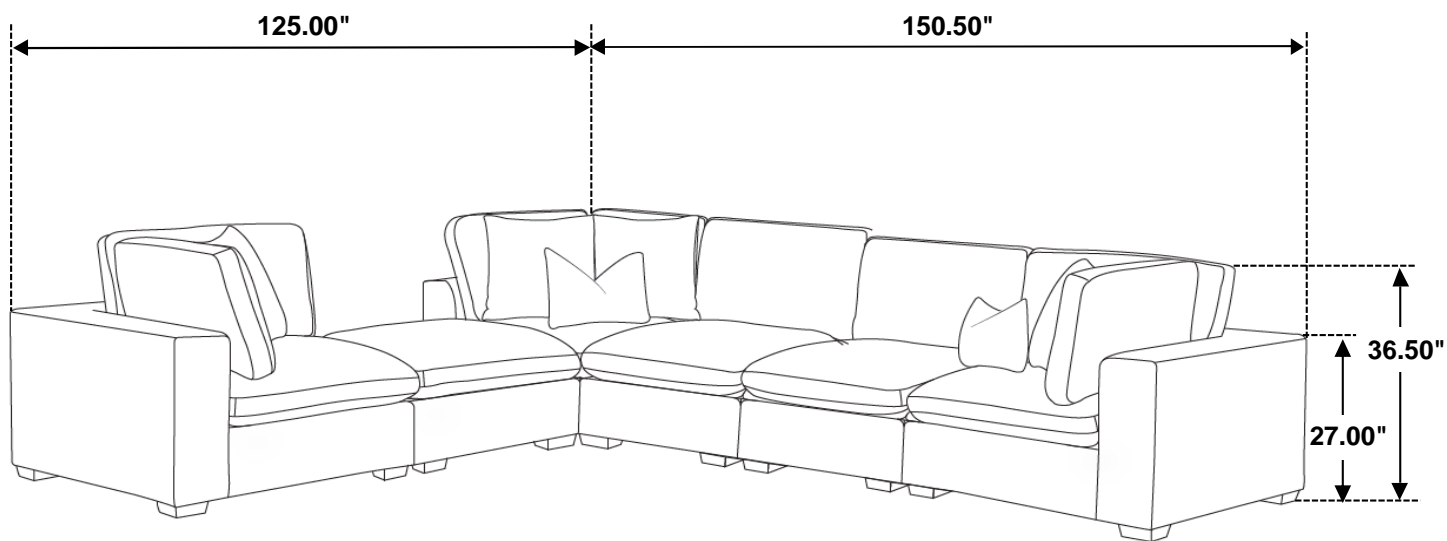
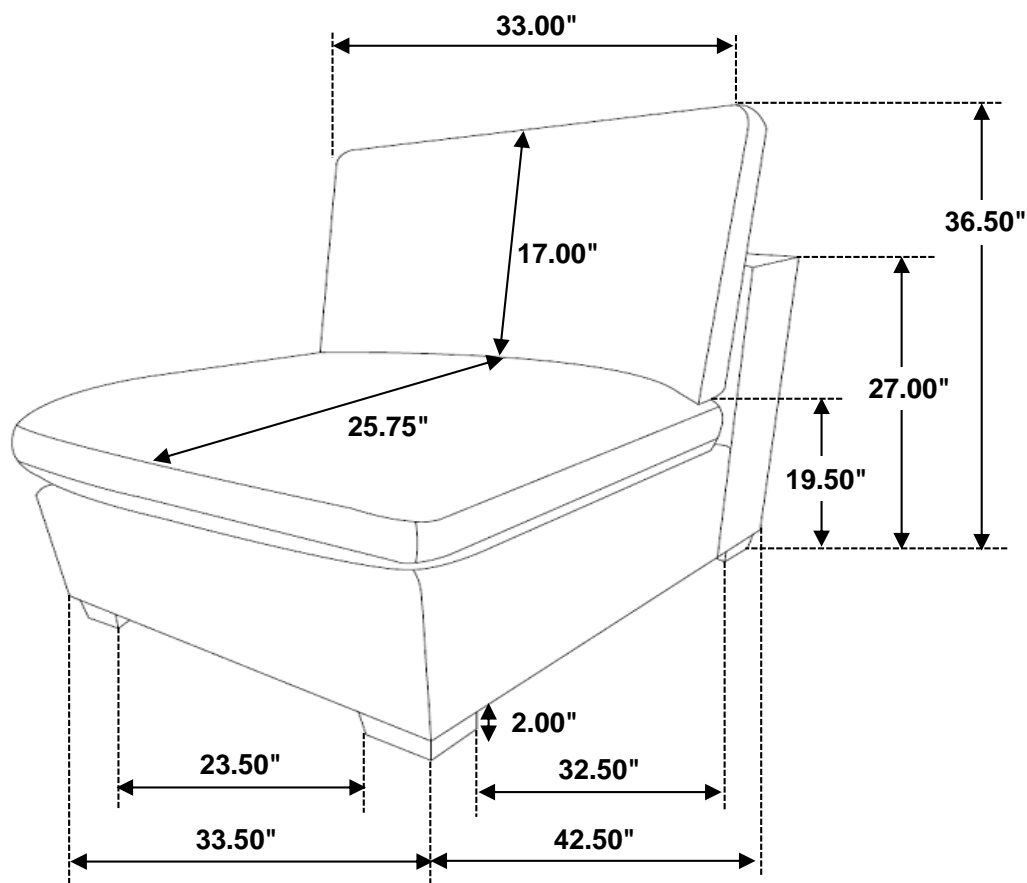


## STEP 2



## STEP 3 COMPLETE





**Note: Dimension tolerance  $\pm 5\%$**

# ASSEMBLY INSTRUCTIONS



*Fine Furniture for every stage of life*

**Corner Chair**

# ASSEMBLY INSTRUCTIONS

## ASSEMBLY TIPS:

1. Remove hardware from box and sort by size.
2. Please check to see that all hardware and parts are present prior to start of assembly.
3. Please follow attached instructions in the same sequence as numbered to assure fast & easy assembly.



### WARNING!

1. Don't attempt to repair or modify parts that are broken or defective. Please contact the store immediately.
2. This product is for home use only and not intended for commercial establishments.

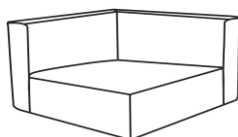


ASSEMBLY TIME

15 MINUTES

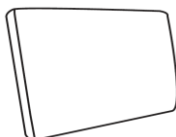
## PARTS IDENTIFICATION

A BODY FRAME



1PC

B LEFT BACK CUSHION



1PC

C RIGHT BACK CUSHION



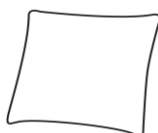
1PC

D SEAT CUSHION



1PC

E PILLOW



1PC

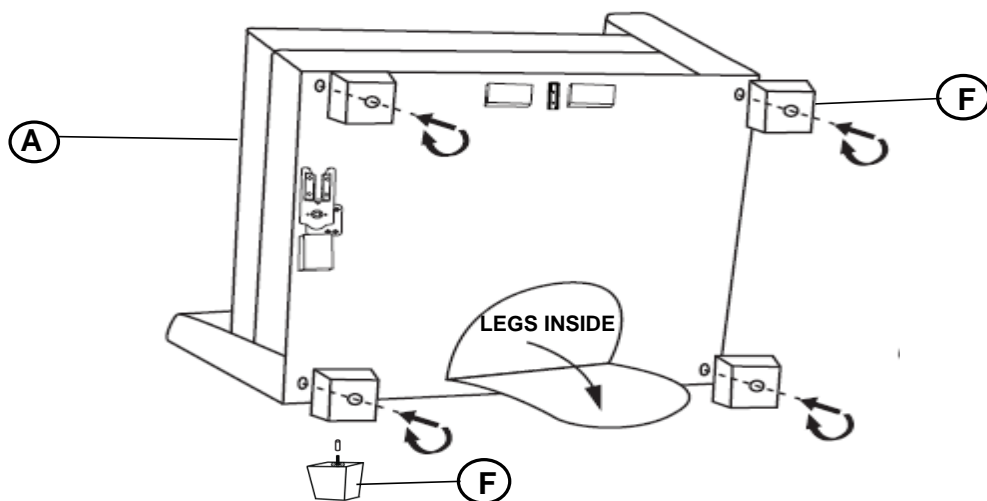
F LEG



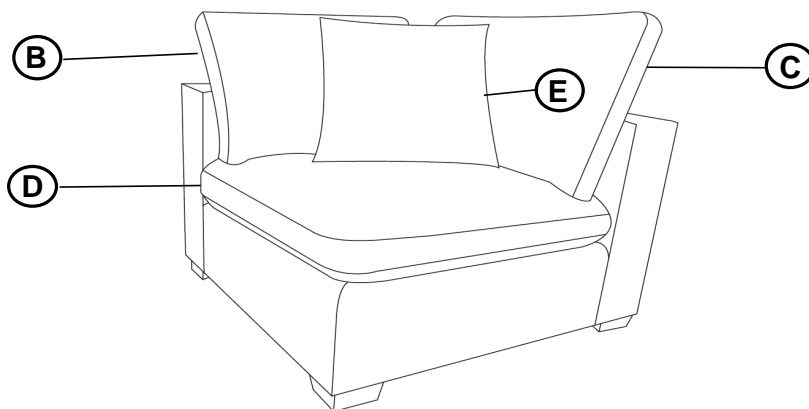
4PCS

# ASSEMBLY INSTRUCTIONS

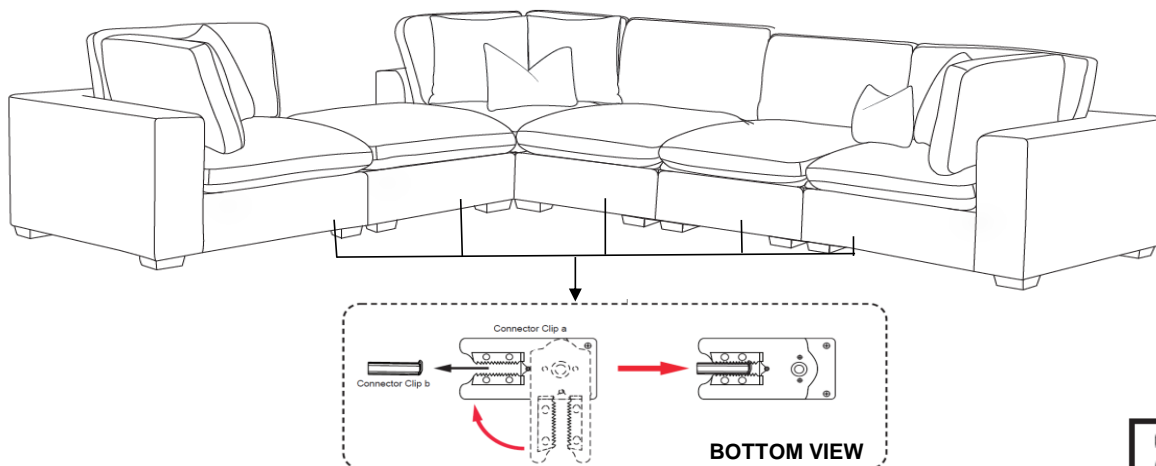
## STEP 1

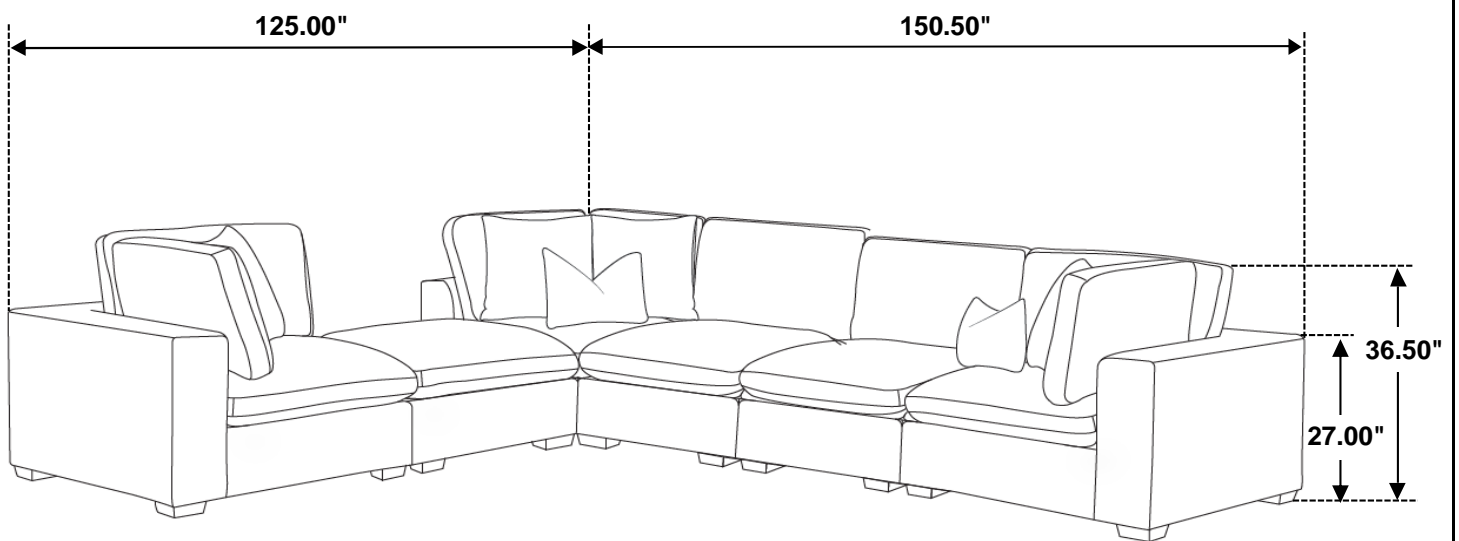
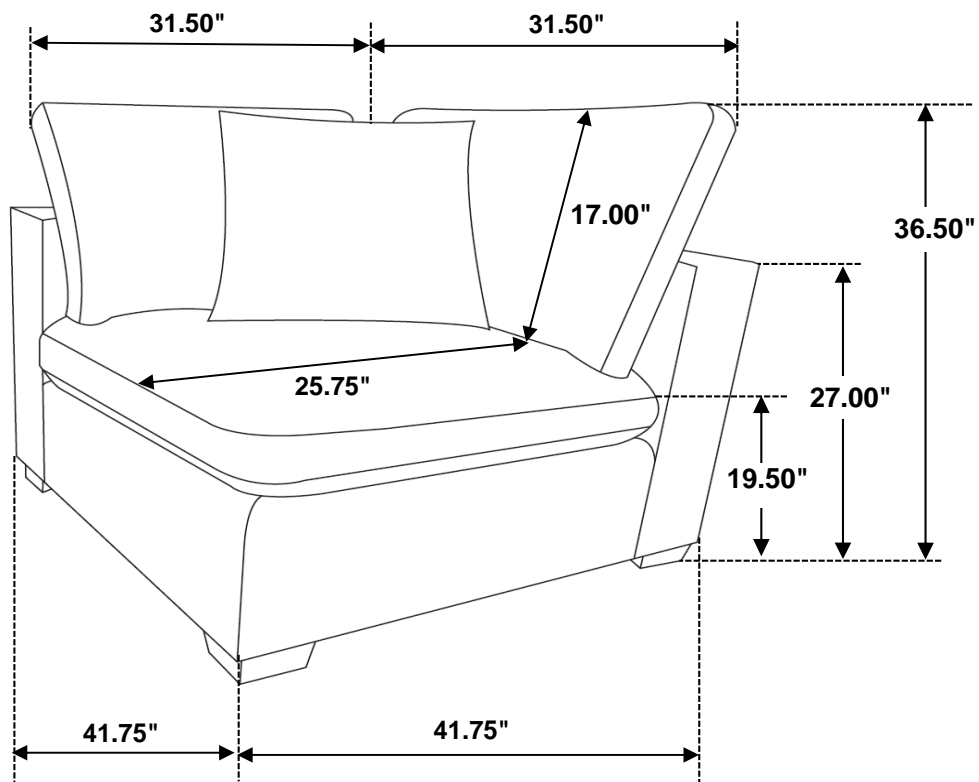


## STEP 2



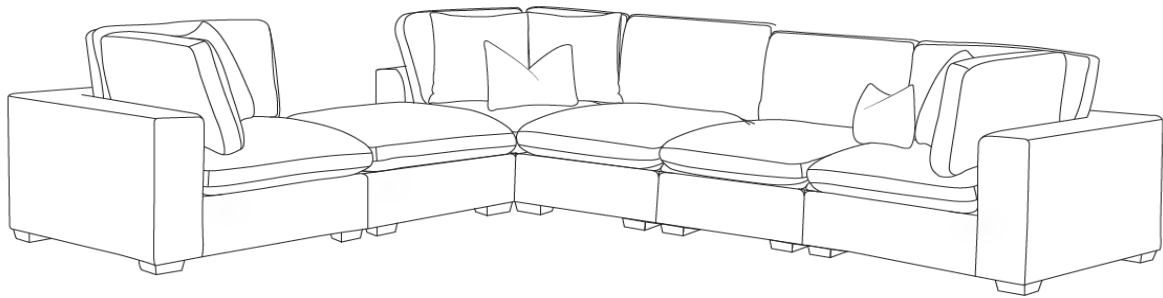
## STEP 3 COMPLETE





**Note: Dimension tolerance  $\pm 5\%$**

# ASSEMBLY INSTRUCTIONS



*Fine Furniture for every stage of life*

**Ottoman**

# ASSEMBLY INSTRUCTIONS

## ASSEMBLY TIPS:

1. Remove hardware from box and sort by size.
2. Please check to see that all hardware and parts are present prior to start of assembly.
3. Please follow attached instructions in the same sequence as numbered to assure fast & easy assembly.



## WARNING!

1. Don't attempt to repair or modify parts that are broken or defective. Please contact the store immediately.
2. This product is for home use only and not intended for commercial establishments.



ASSEMBLY TIME

15 MINUTES

## PARTS IDENTIFICATION

A OTTOMAN



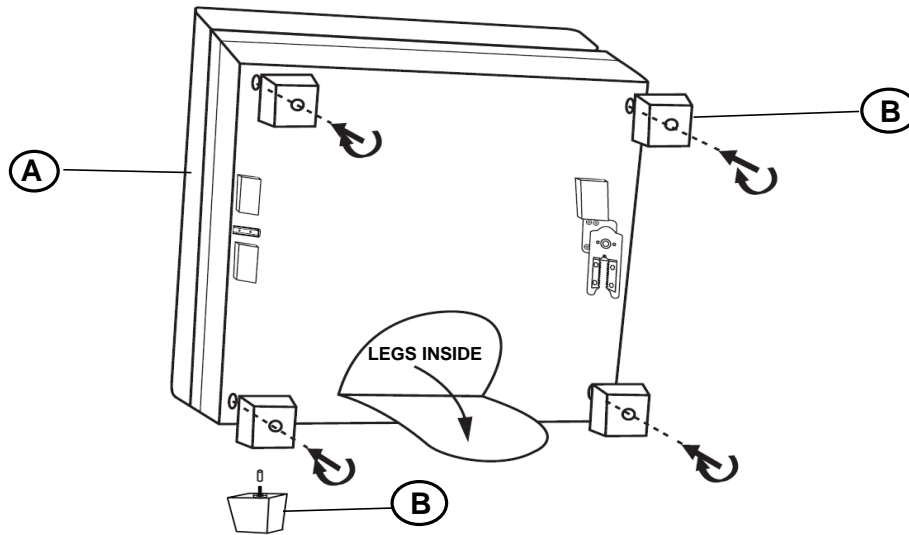
1PC

B LEG

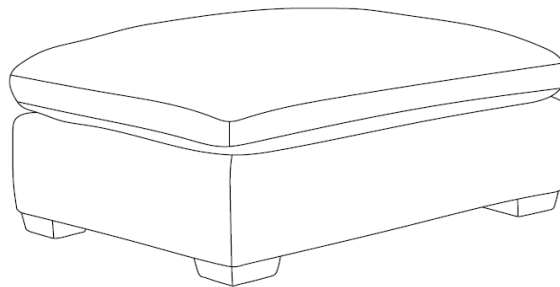


4PCS

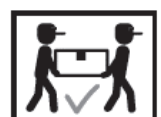
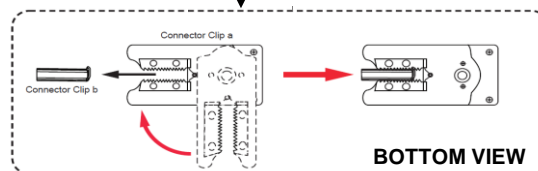
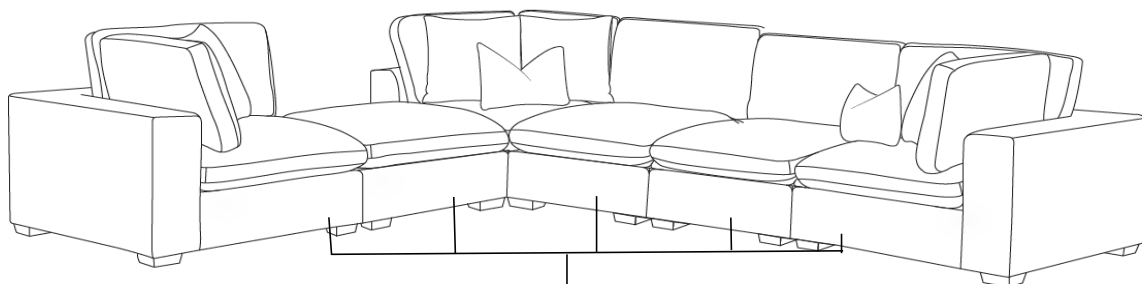
**ASSEMBLY INSTRUCTIONS**  
**STEP 1**

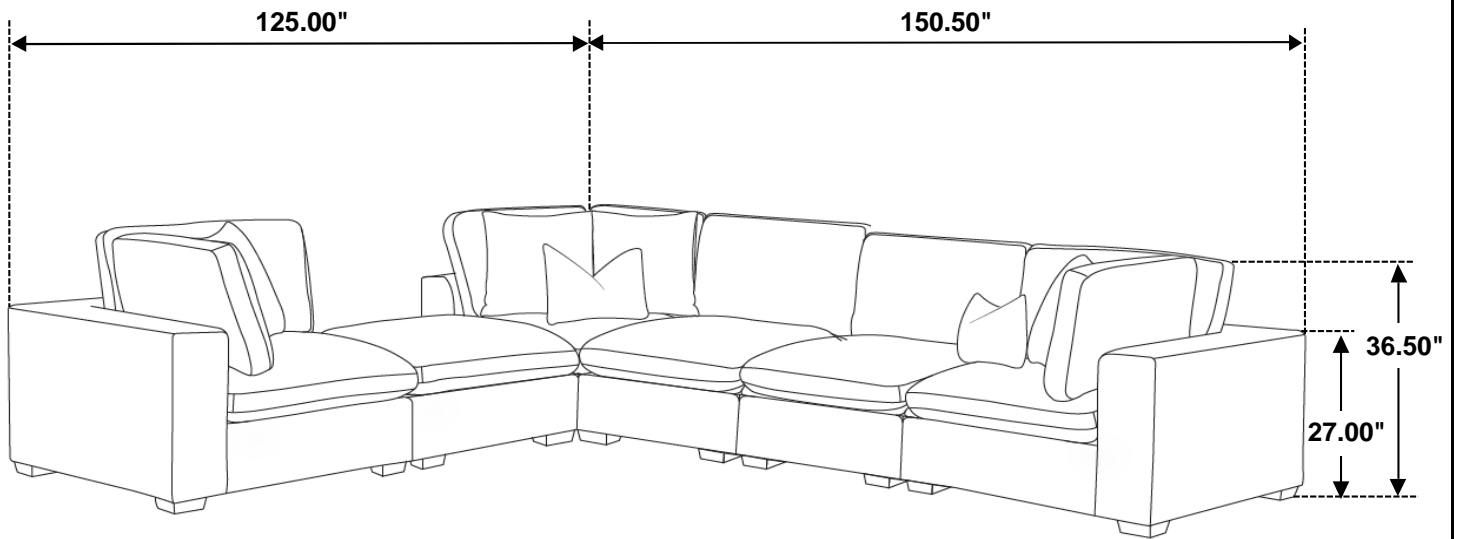
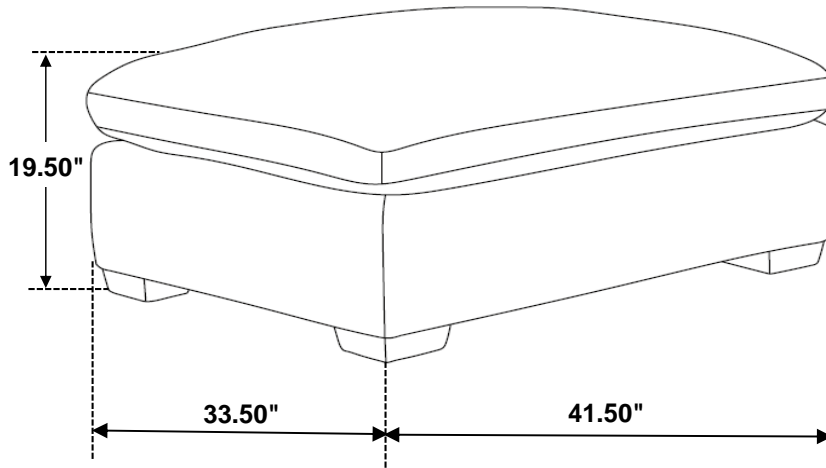


**STEP 2**



**STEP 3**  
**COMPLETE**





**Note: Dimension tolerance  $\pm 5\%$**