



















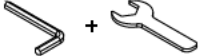



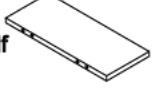
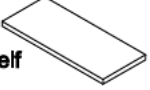









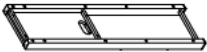
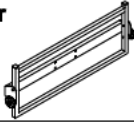

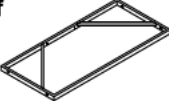
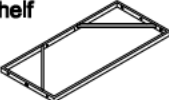
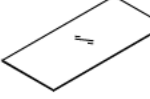
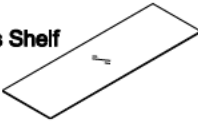














## PART LIST

NO.	DESCRIPTION	QTY
A	Cam lock Screw 	22
B	Cam lock 	22
C	Wood Dowel 	34
D	M6*18mm 	4
E	M6*25mm 	14
F	M6*35mm 	6
G	M6*55mm 	4
H	Wood Screw 	10
I	M4 	8
J	M6*18mm 	4 Set
K	M3.5*14mm 	32
L	M4*50mm 	12
M	Vinyl Bumper 	20
N	Door Bumper 	6
O	Velcro Strip 	4
P	Mounting Bracket Locking Knob 	2
Q	Steel Enforcer 	4
R	Mounting Plate 	4
S	Soft -Close Clip On Hinges 	4
T	Ø30xM8 Adjustable leg 	6
Tool	 + 	1set

NO.	DESCRIPTION	QTY
U-L	Caster With Lock 	4
U	Caster 	2
V	Right Wood Shelf 	3
W	left Wood Shelf 	3
X	Cabinet Back Panel 	2
Y	Cabinet Side Panel 	2
Z	Door Side Panel 	2
AA	Door Front Panel 	2
AB	Top Back Panel 	1
AC	Bottom Back Panel 	1
AD	Pivot Device 	1
AE	Mounting System Adjustment Pole 	2
AF	TV Mounting Bracket 	2
AG	Mounting System Support Pole 	1

NO.	DESCRIPTION	QTY
AH	TV Hanger 	1
AI	Middle Shelf Support 	1
AJ	Top Shelf Support 	1
AK	Bottom Shelf Support 	1
AL	Glass Shelf 	2
AM	Top Glass Shelf 	1

## TV Mounting Hardware

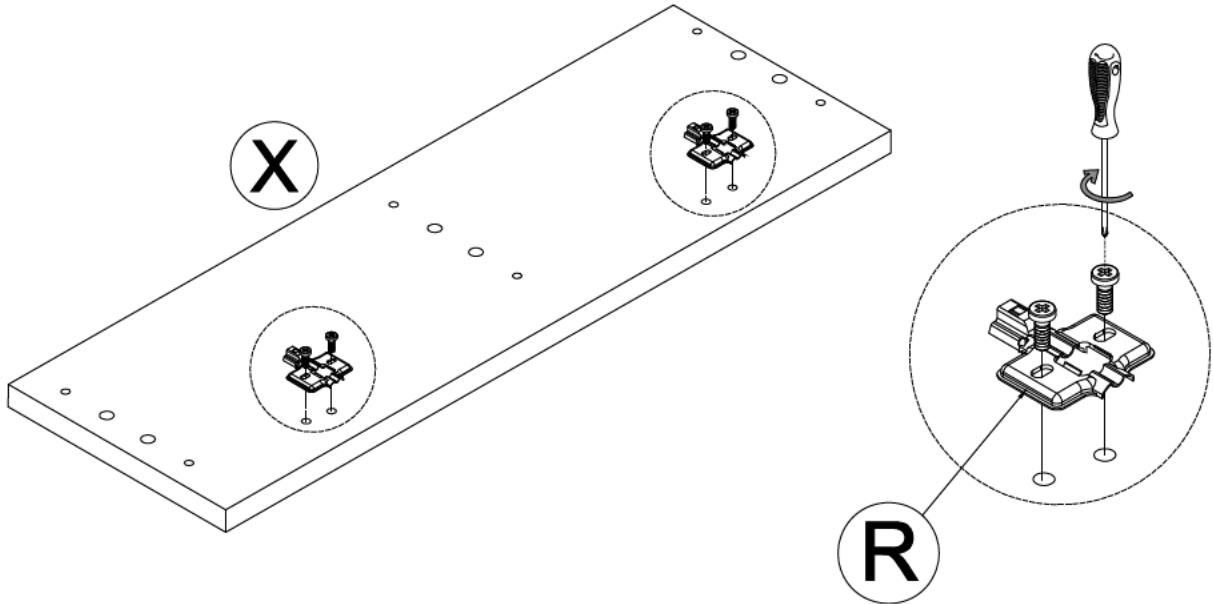
NO.	DESCRIPTION	QTY
S1	 M6x12mm	4
S2	 M8x12mm	4
S3	 M5x32mm	4
S4	 M6x32mm	4
S5	 M8x32mm	4
S6	 M8x51mm	4
S7	 Ø19xØ6.2	4
S8	 Ø22xØ8.2	4
S9	 Ø14x14mm	4
S10	 Ø17.5x21.2mm	4
S11	 Ø25x13mm	4
S12	 Ø25x2mm	4

# TD987 Series

## STEP 1

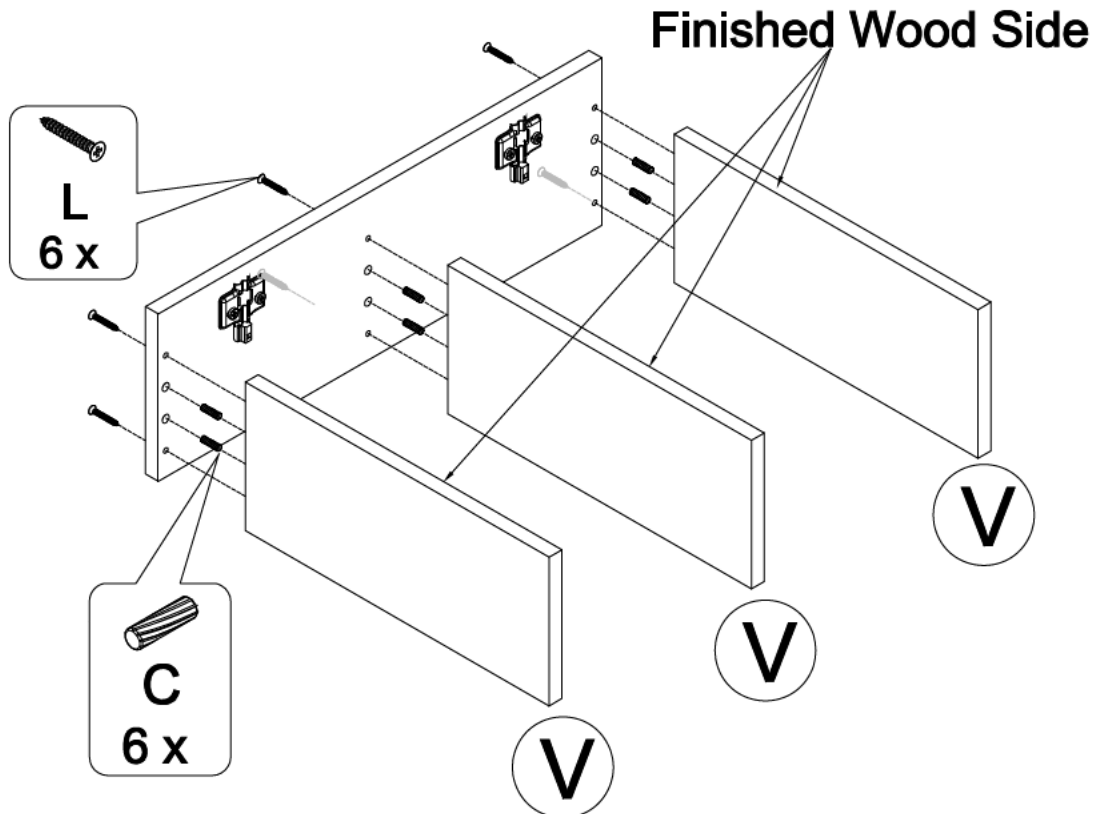
1.1

- \* Install the mounting plate (Part R ) on the right back panel (Part X)



1.2

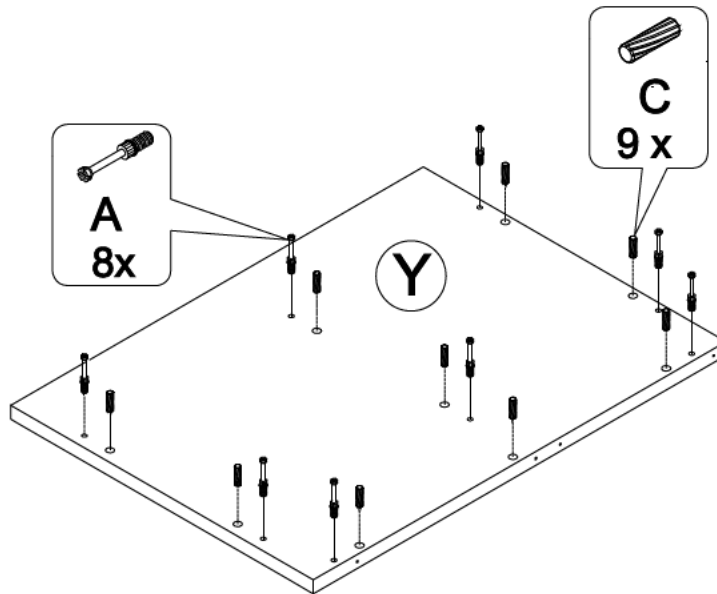
- \* Insert wood dowels into the right back panel,
- \* Install wood shelves (Part V ) and ensure the finished wood side is on top as shown.
- \* Align the shelves and tighten the screws.



# TD987 Series

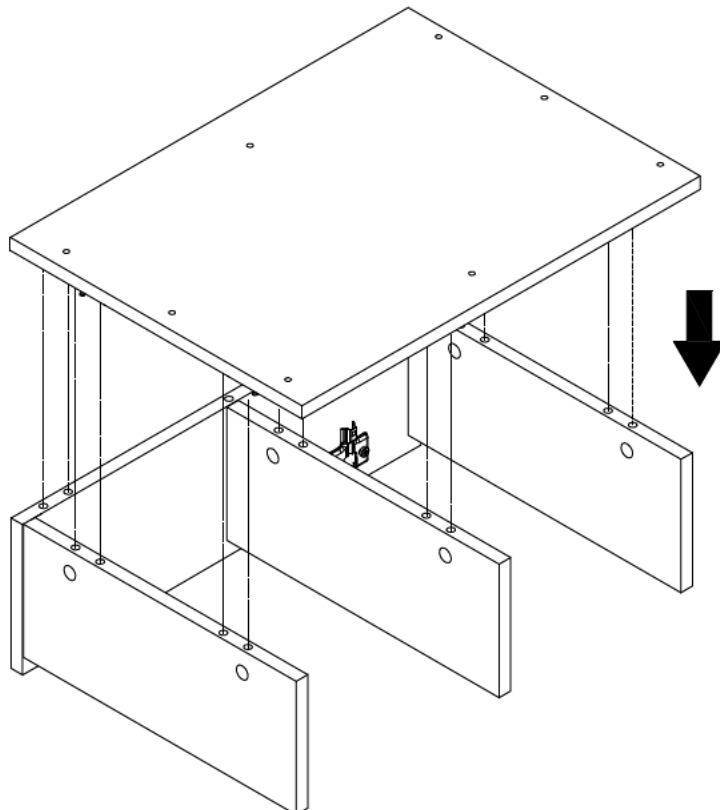
1.3

- \* Insert wood dowels into the right side panel (Part Y )
- \* Install cam lock screws as shown.
- \*\*\* Do not over tighten the screws, it 's not recommended to use a screw driver to tighten it if you don't have to.  
An over tightened screw (Part A ) will prevent the cam lock to install properly.



1.4

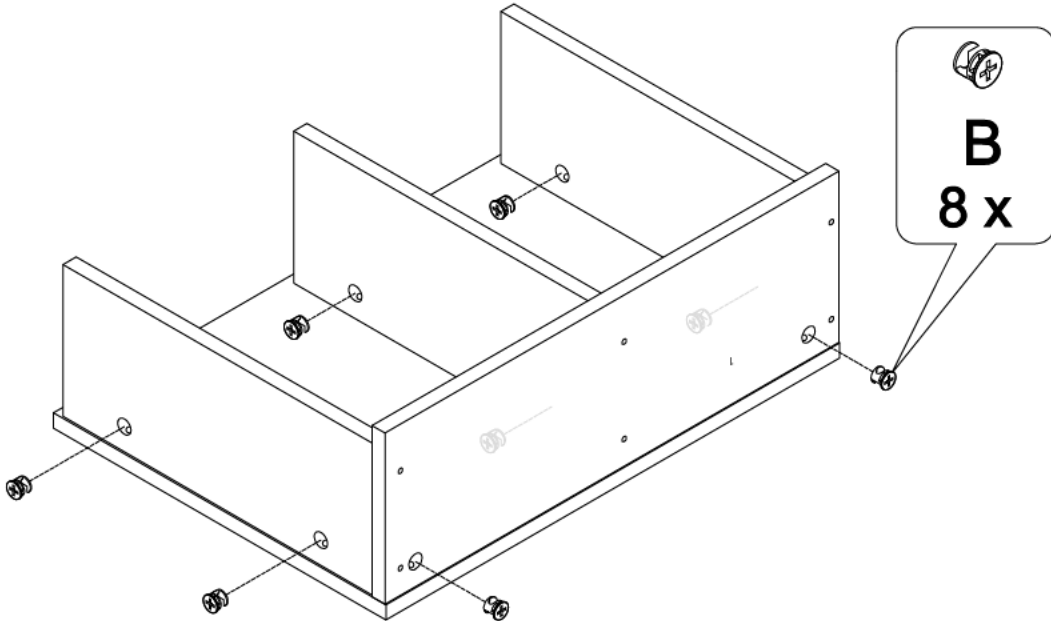
- \* Join the side panel with wood shelves as shown



# TD987 Series

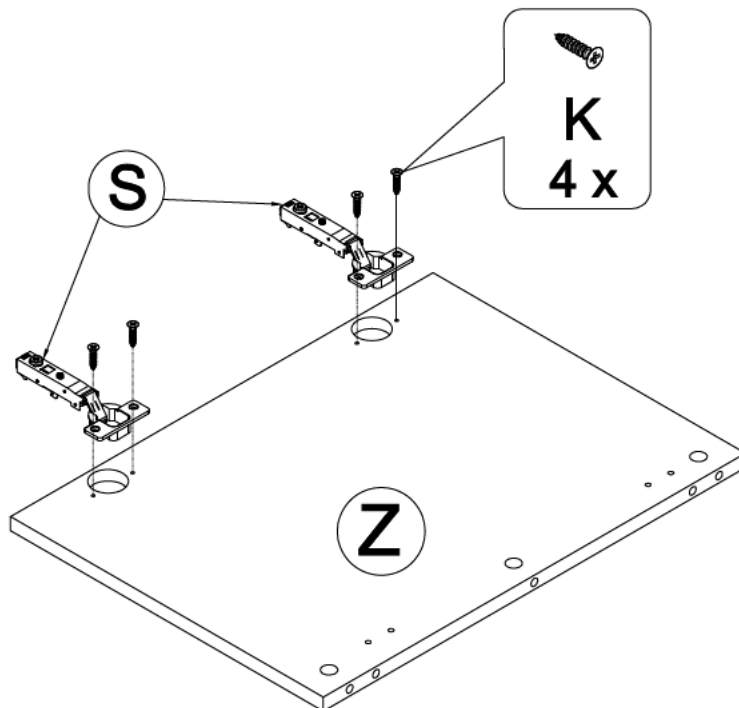
1.5

\* Insert the cam locks into the wood panels and turn 210 degree with a flathead screw driver (Not Included ) to lock.



1.6

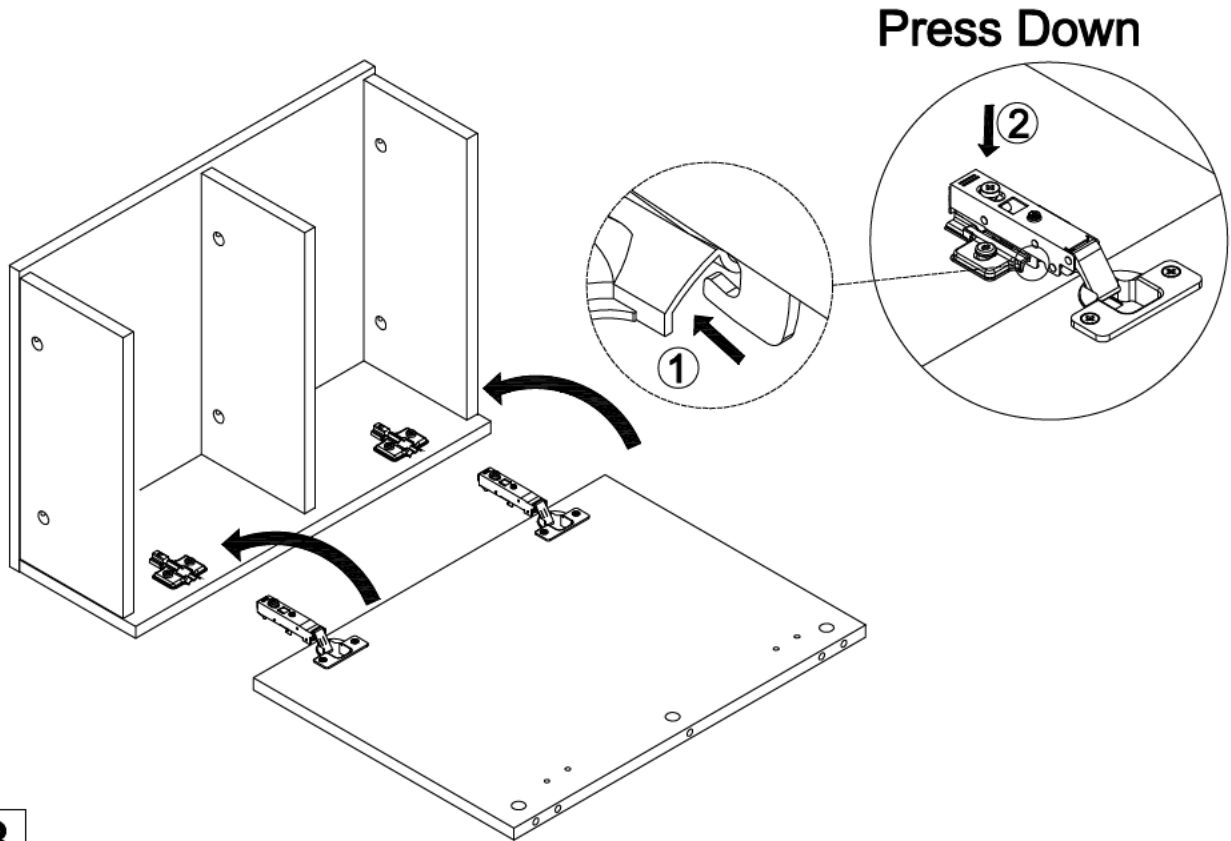
\* Install the soft -close clip on hinges (Part S) on the door panel (Part Z )as shown.



# TD987 Series

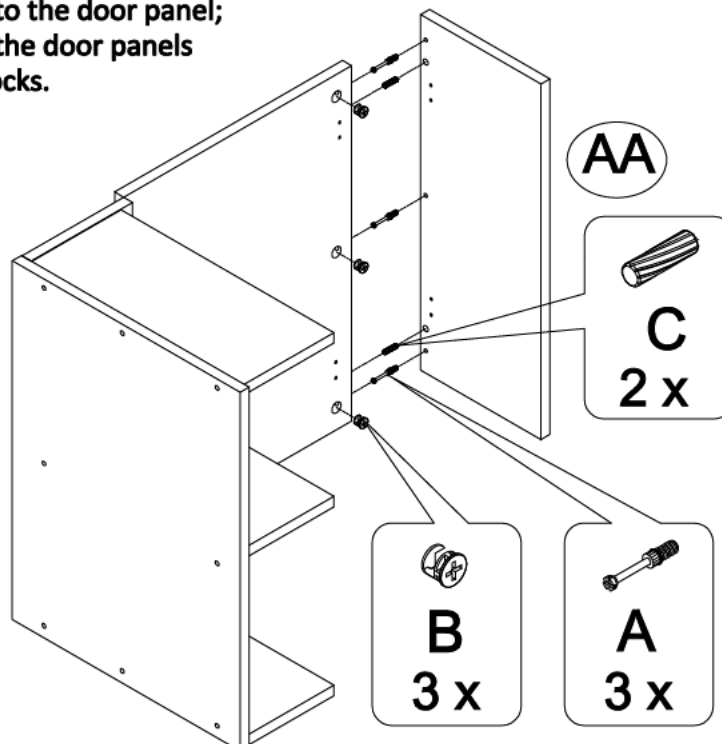
1.7

- \* Hood up the hinges as shown.
- Match the latch with the mounting plate then press the hinge down.



1.8

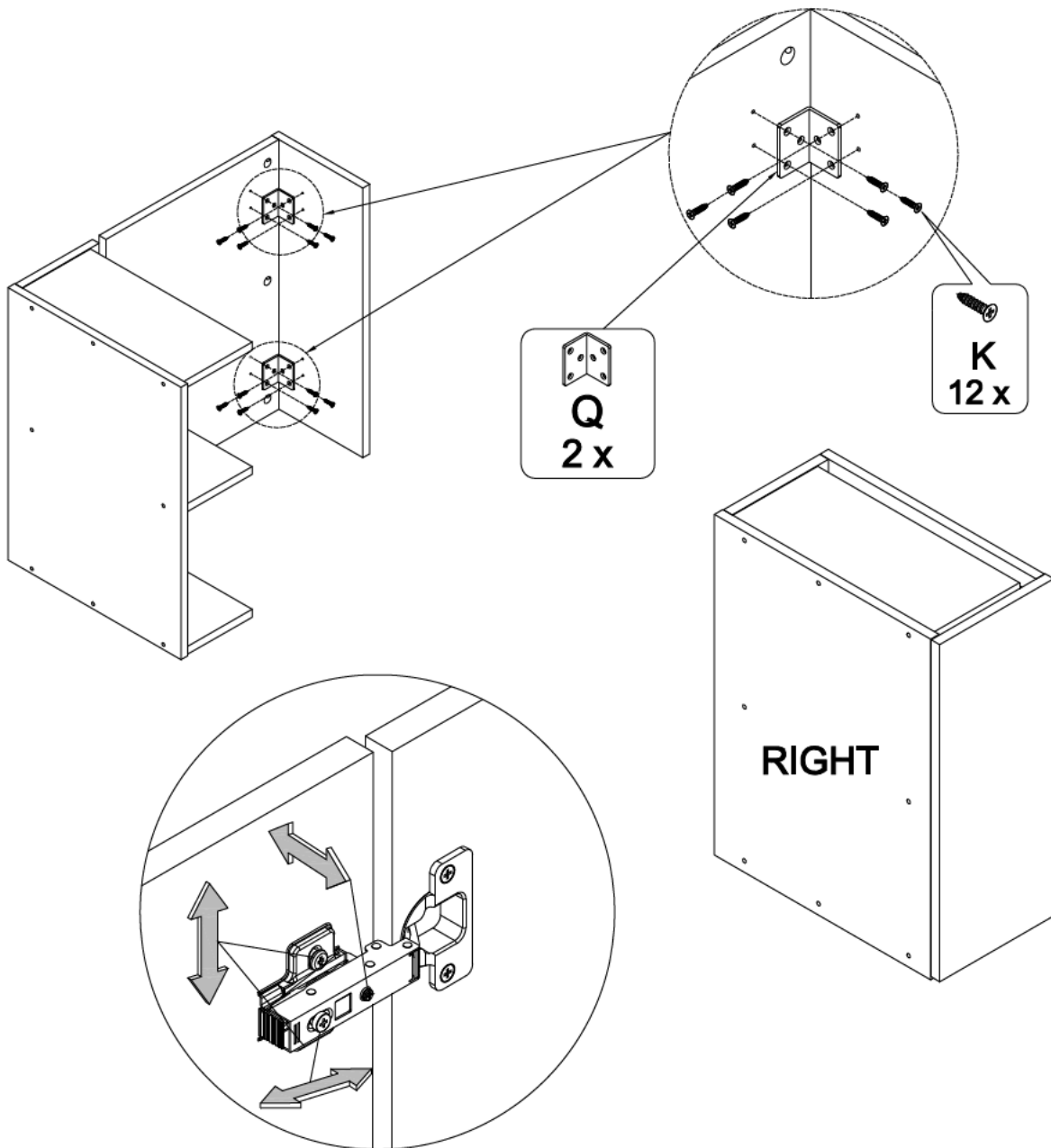
- \* Install the door front panel as shown.
- Install cam lock screws and dowels into the front panel;
- Insert cam locks into the door panel;
- Connect and align the door panels and lock the cam locks.



# TD987 Series

1.9

- \* Install the steel enforcer(Part Q) as shown.
- Adjust the hinges to align the door if necessary.



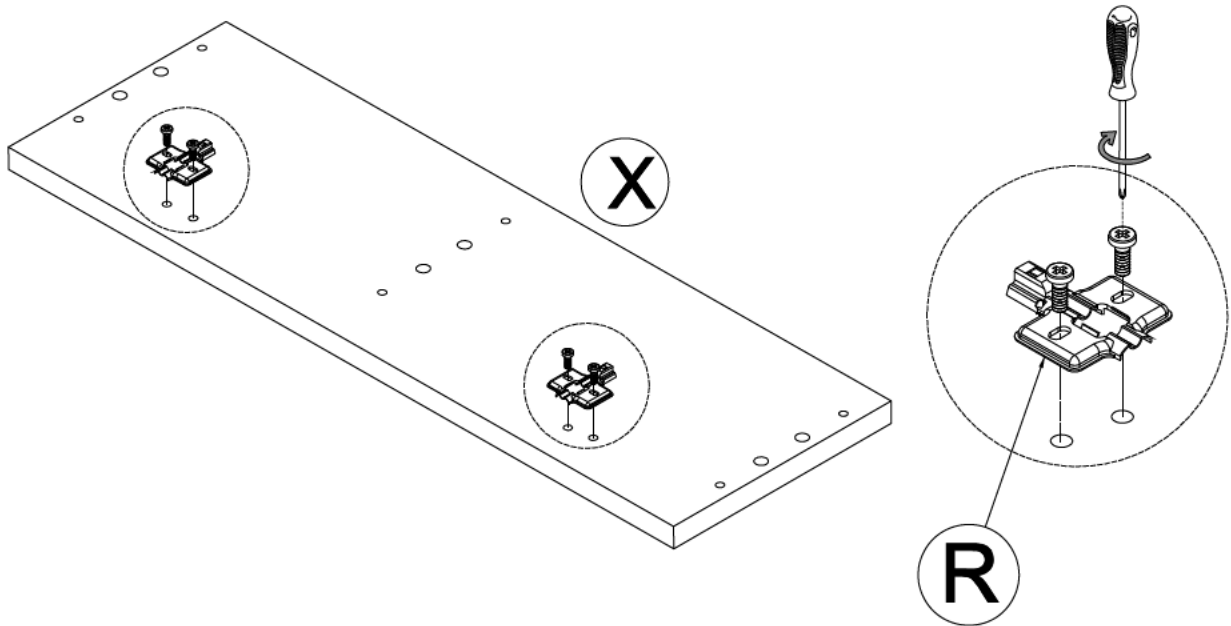
**Hinge Adjustment**

# TD987 Series

## STEP 2

2.1

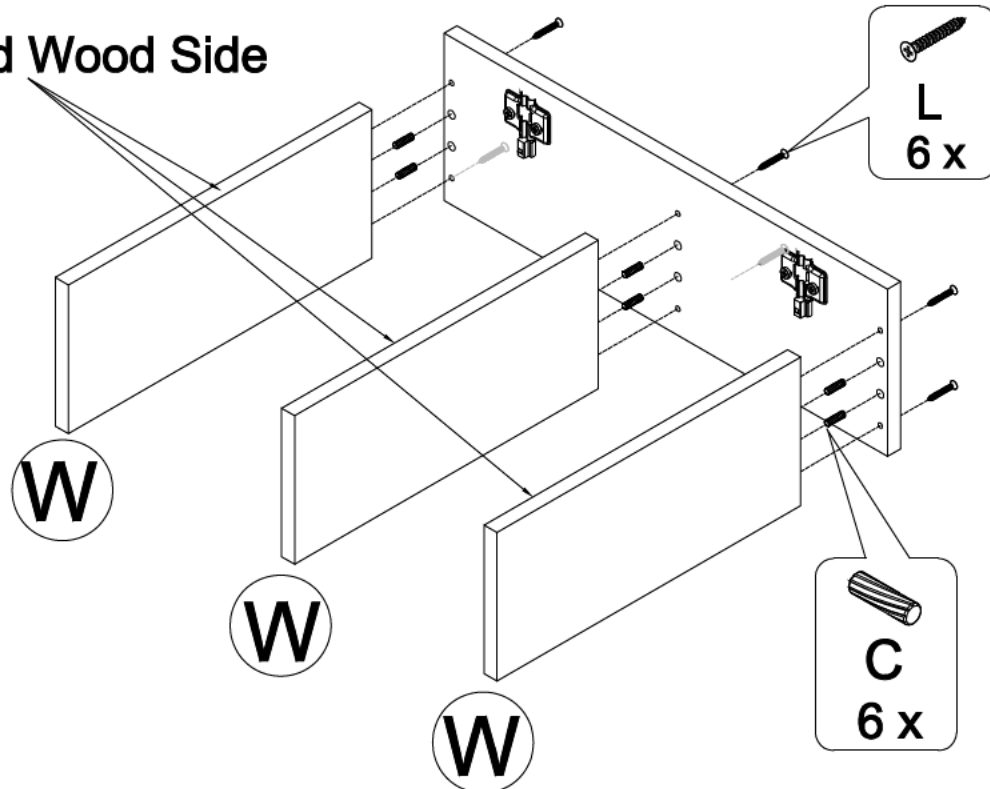
- \* Install the mounting plate(Part R) on the left back panel(Part X).



2.2

- \* Install wood dowels into the left back panel,
- \* Install wood shelves(Part W) and ensure the finished wood side is on top as shown.
- \* Align the shelves and tighten the screws.

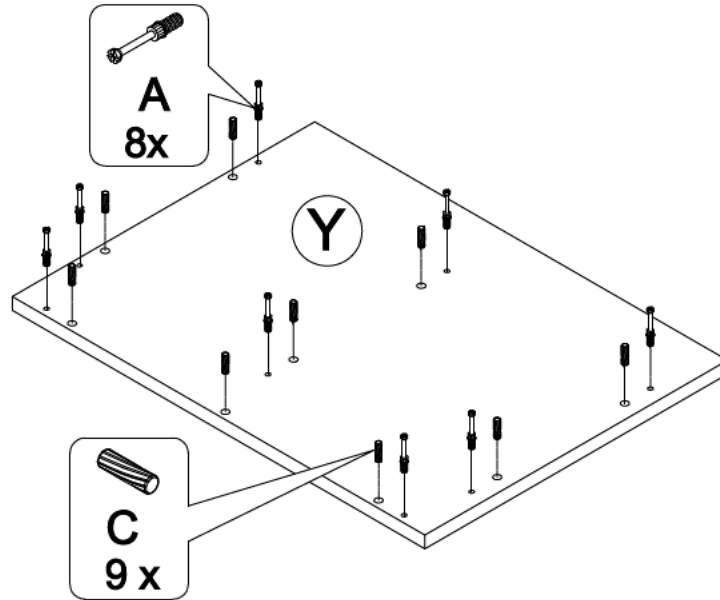
Finished Wood Side



# TD987 Series

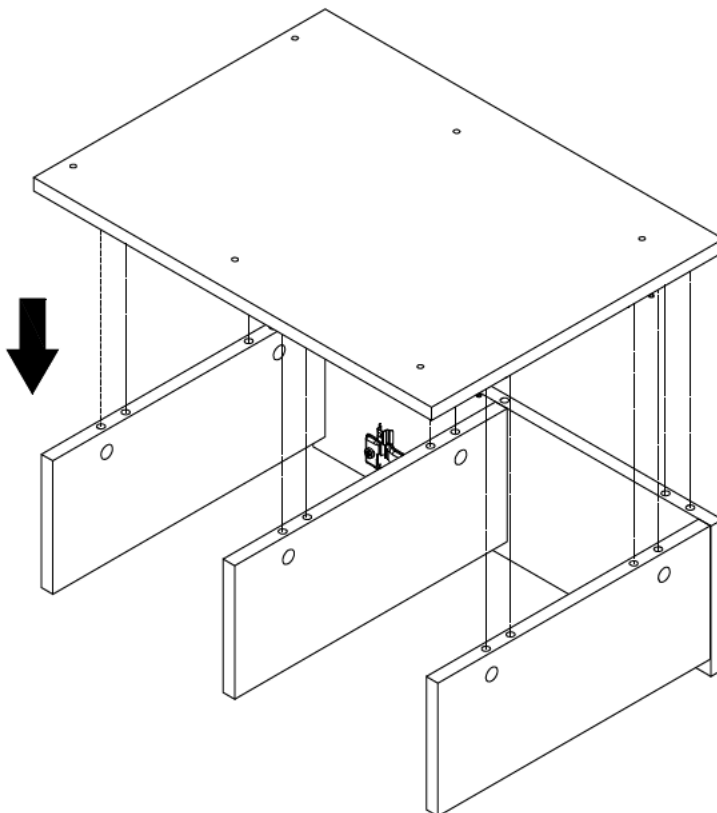
2.3

- \* Insert wood dowels into the left side panel(Part Y)
- \* Install cam lock screws as shown.
- \*\*\* Do not over tighten the screw, it's not recommended to use a screw driver to tighten it if you don't have to.



2.4

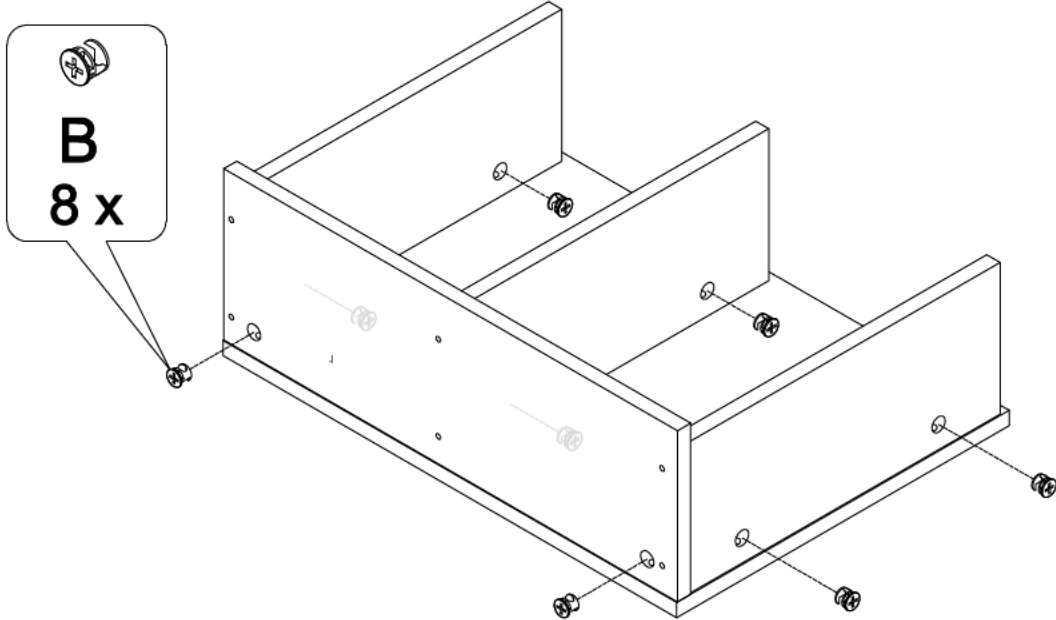
- \* Join the side panel with wood shelves as shown



# TD987 Series

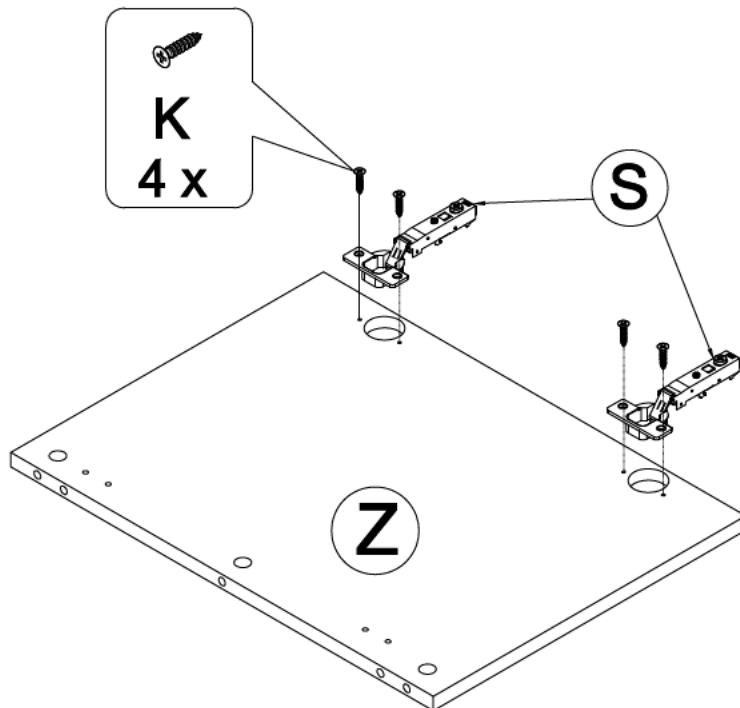
2.5

\* Insert the cam locks into the wood panels as shown.



2.6

\* Install the clip on hinges on the door panel(Part Z).

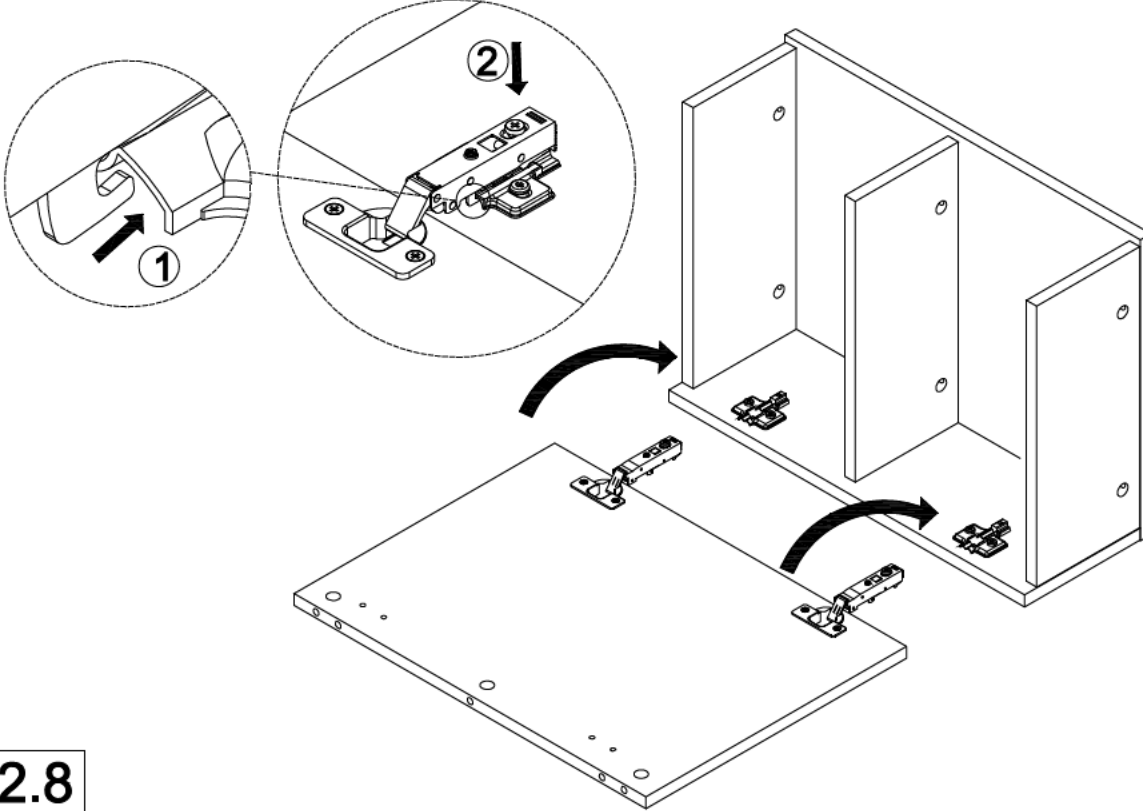


# TD987 Series

2.7

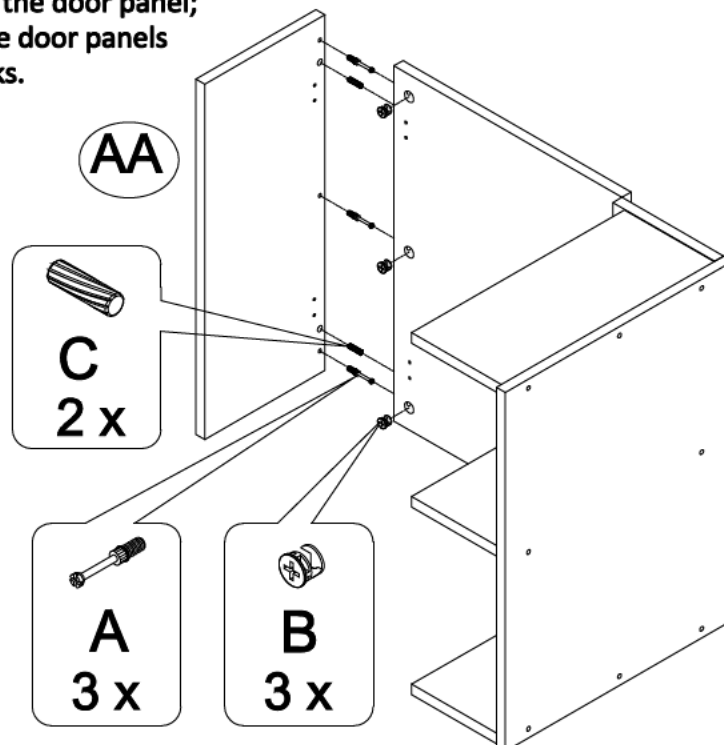
- \* Hood up the hinges as shown.
- Match the latch with the mounting plate then press the hinge down.

**Press Down**



2.8

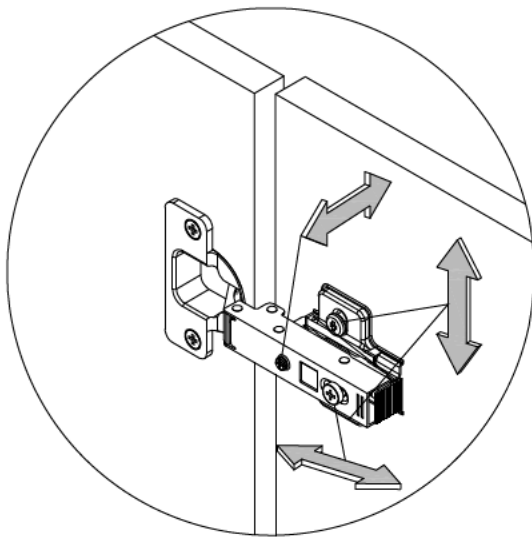
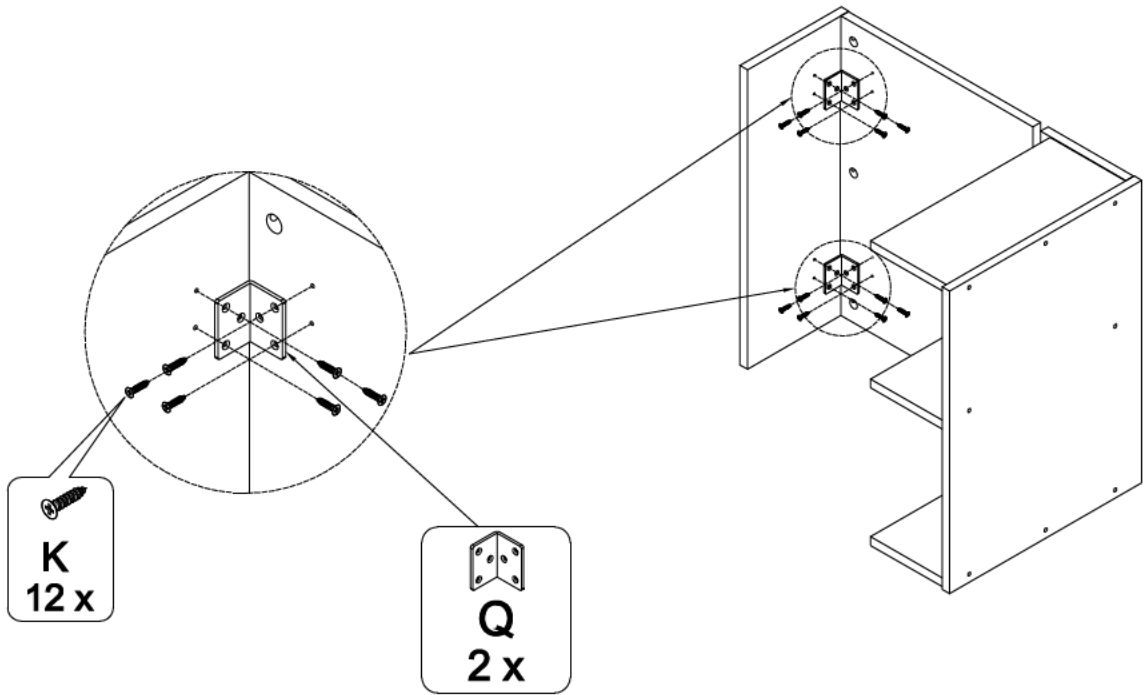
- \* Install the door front panel as shown.
- Install cam lock screws and dowels into the front panel;
- Insert cam locks into the door panel;
- Connect and align the door panels and lock the cam locks.



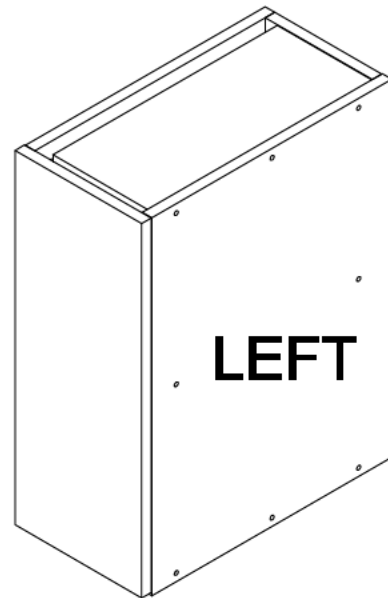
# TD987 Series

2.9

- \* Install the steel enforcer (Part Q) as shown.
- Adjust the hinges to align the door if necessary.



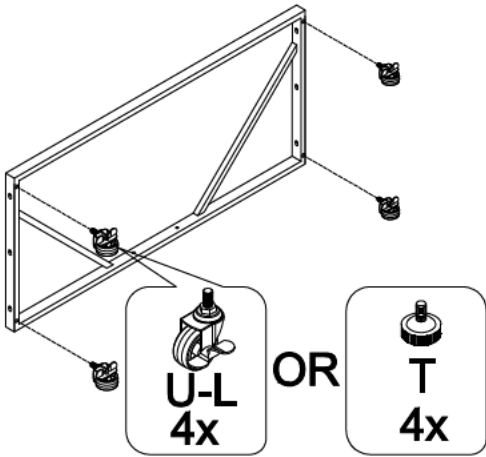
**Hinge Adjustment**



# TD987 Series

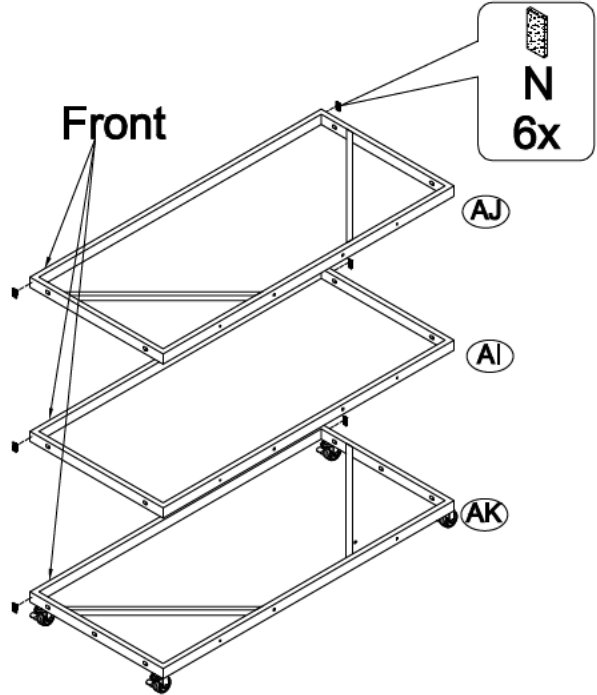
## STEP 3

- \* Install casters with lock(Part U-L) or adjustable legs on the bottom shelf support as you prefer



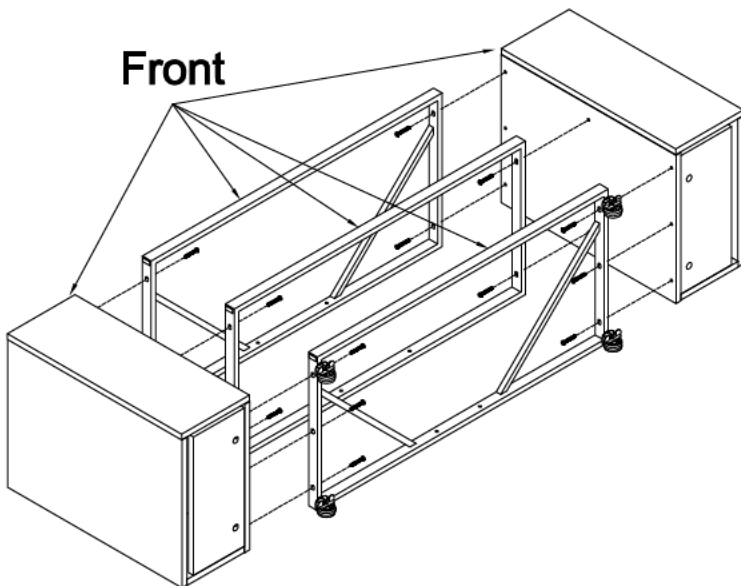
## STEP 4

- \* Apply the self adhesive rubber door bumpers to the steel frames as shown.



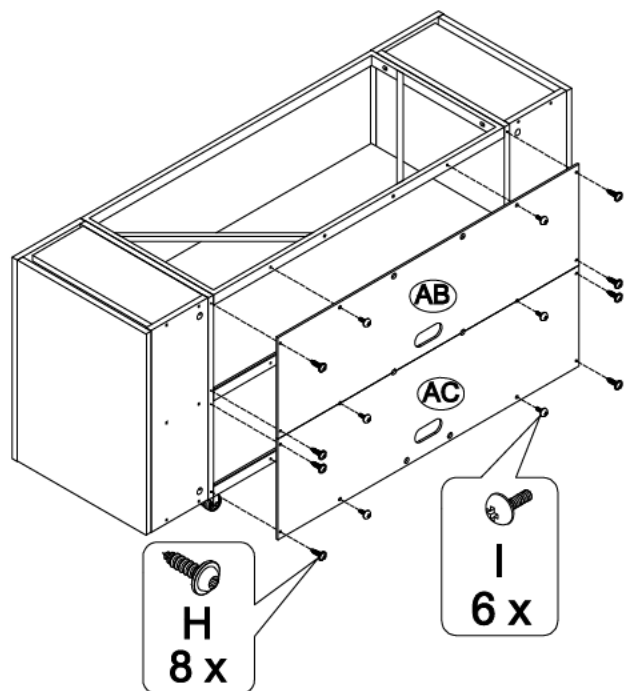
## STEP 5

- \* Install the steel frame as shown.



## STEP 6

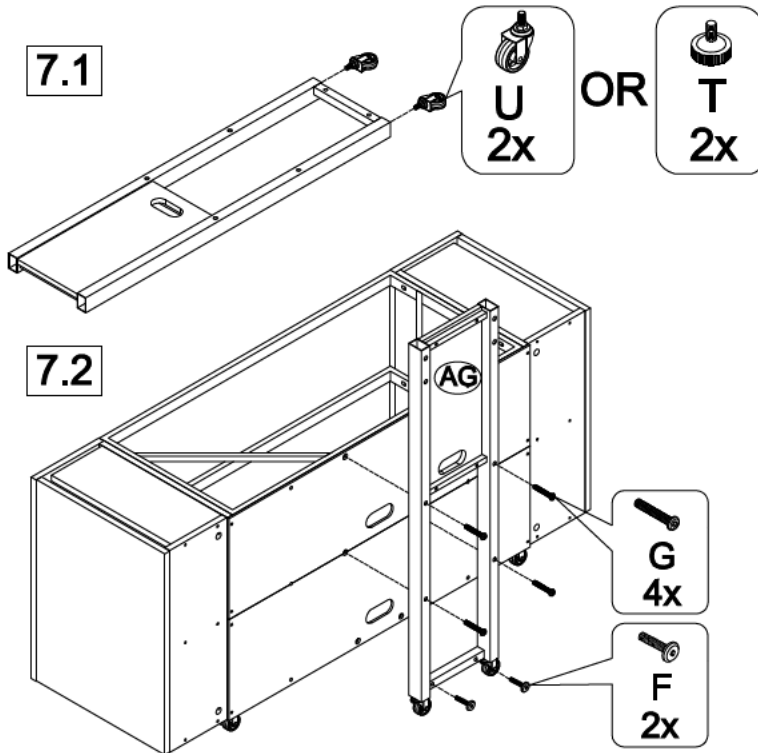
- \* Install the back panel(Part AB,AC) as shown.



# TD987 Series

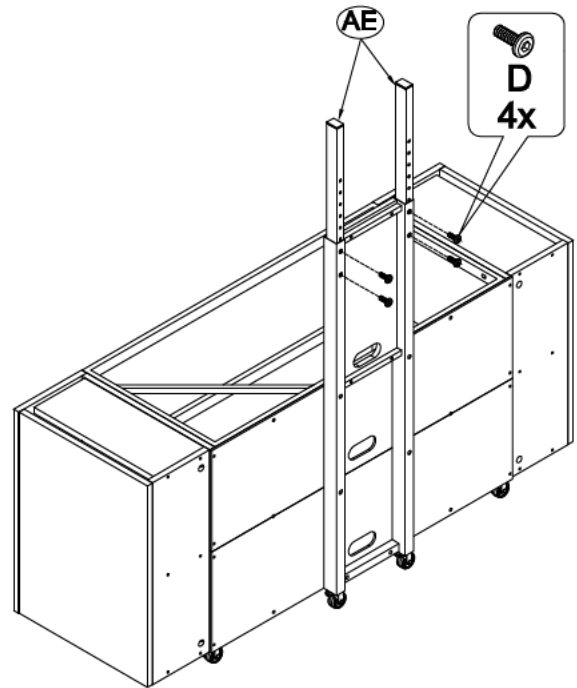
## STEP 7

- \* Install the mounting system support pole (Part AG) as shown.
- Install the casters(part U) or the adjustable legs first then secure the support poles.



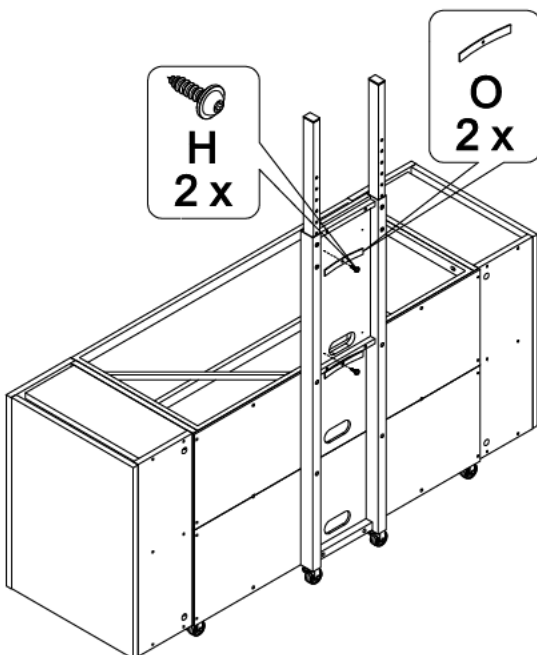
## STEP 8

- \* Install the mounting system adjustment poles (Part AE) as shown.



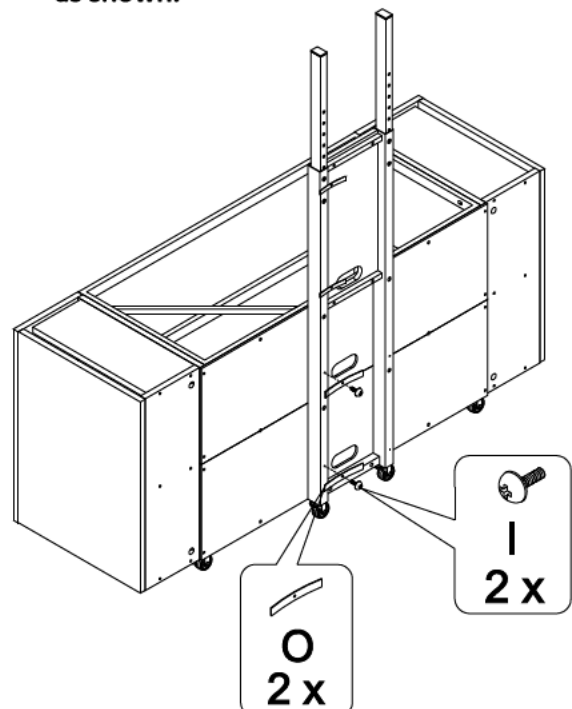
## STEP 9

- \* Install the cable management system
- Install the Velcro strips on the wood panel as shown.



## STEP 10

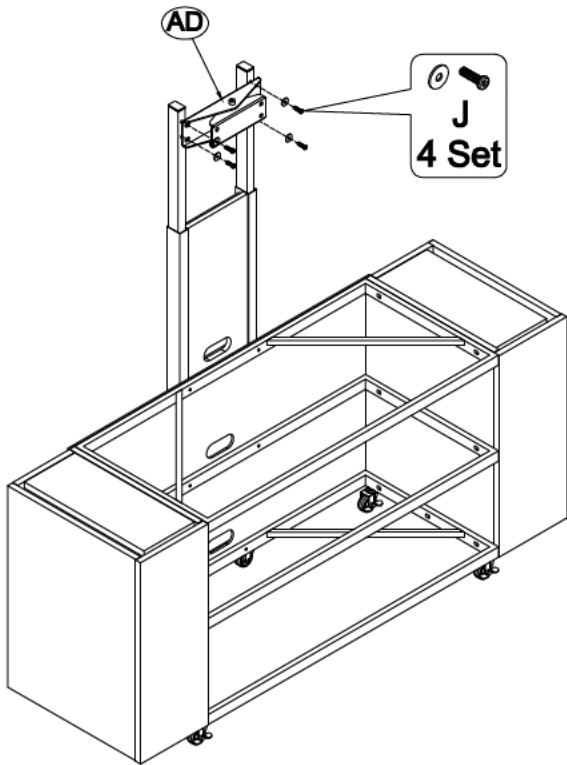
- \* Install the Velcro strips on the steel support pole as shown.



# TD987 Series

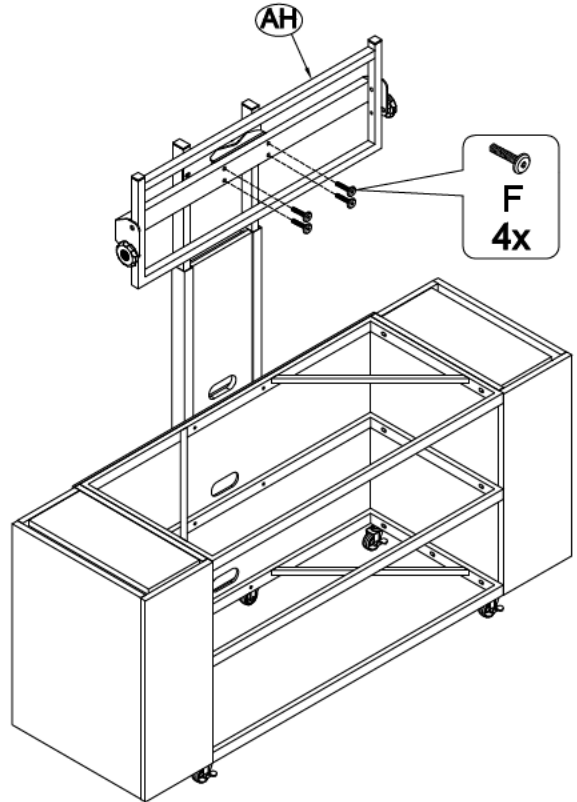
## STEP 11

- \* Install the pivot device(Part AD).
- Level the pivot device and tighten the screws.



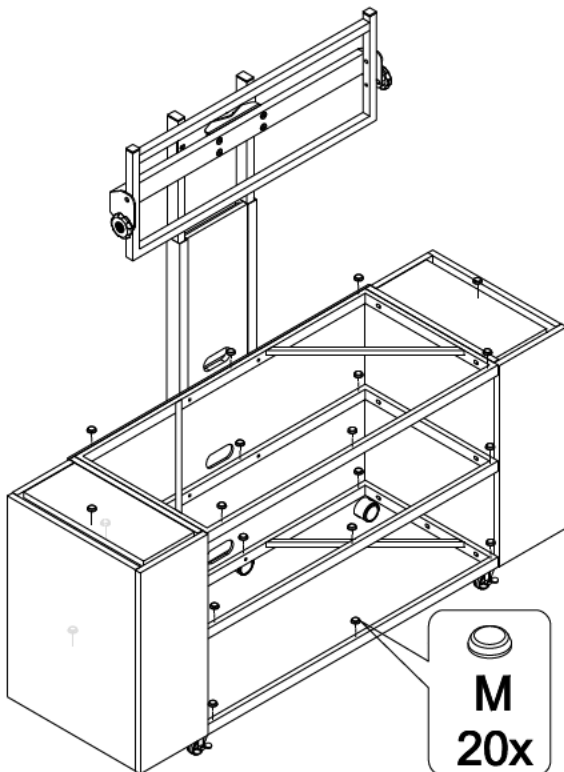
## STEP 12

- \* Install the TV hanger as shown.
- Level the TV hanger and tighten the screws.



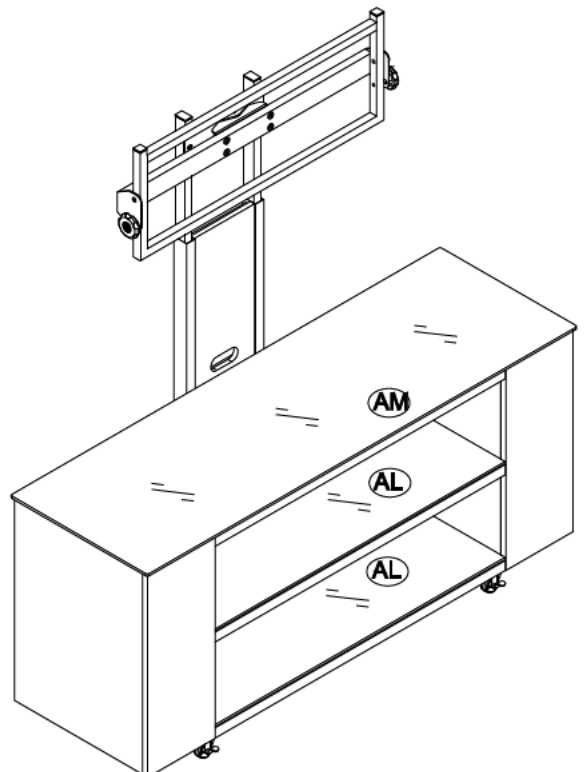
## STEP 13

- \* Apply the self adhesive vinyl bumper as shown.



## STEP 14

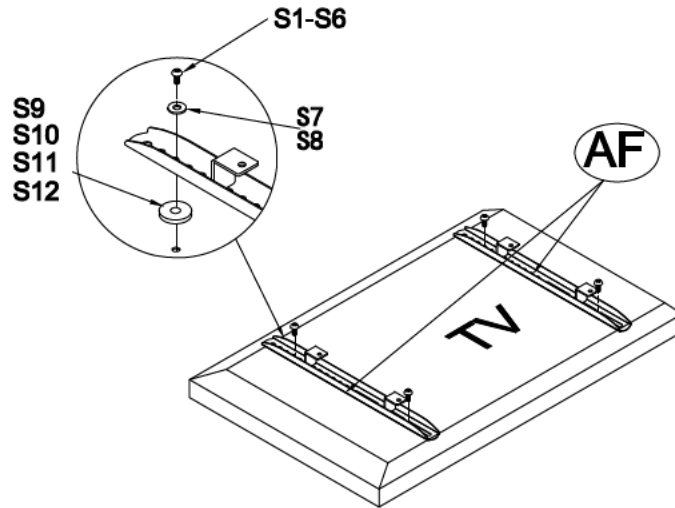
- \* Install the glass shelves as shown.



# TD987 Series

## STEP 15

- \* Install the mounting bracket on the TV (choose one of the screws that fits)  
Note: Some TV models are not VESA compliant that require special mounting adapter to mount the TV. Please review the TV user manual or contact the TV manufacturer for detail information.



## STEP 16

- \* Hang the TV on the mounting bracket.
  - Install the knobs (Part P) to the top anchor of the bracket to secure the system as shown.
  - The bottom anchor does not need a knob.

