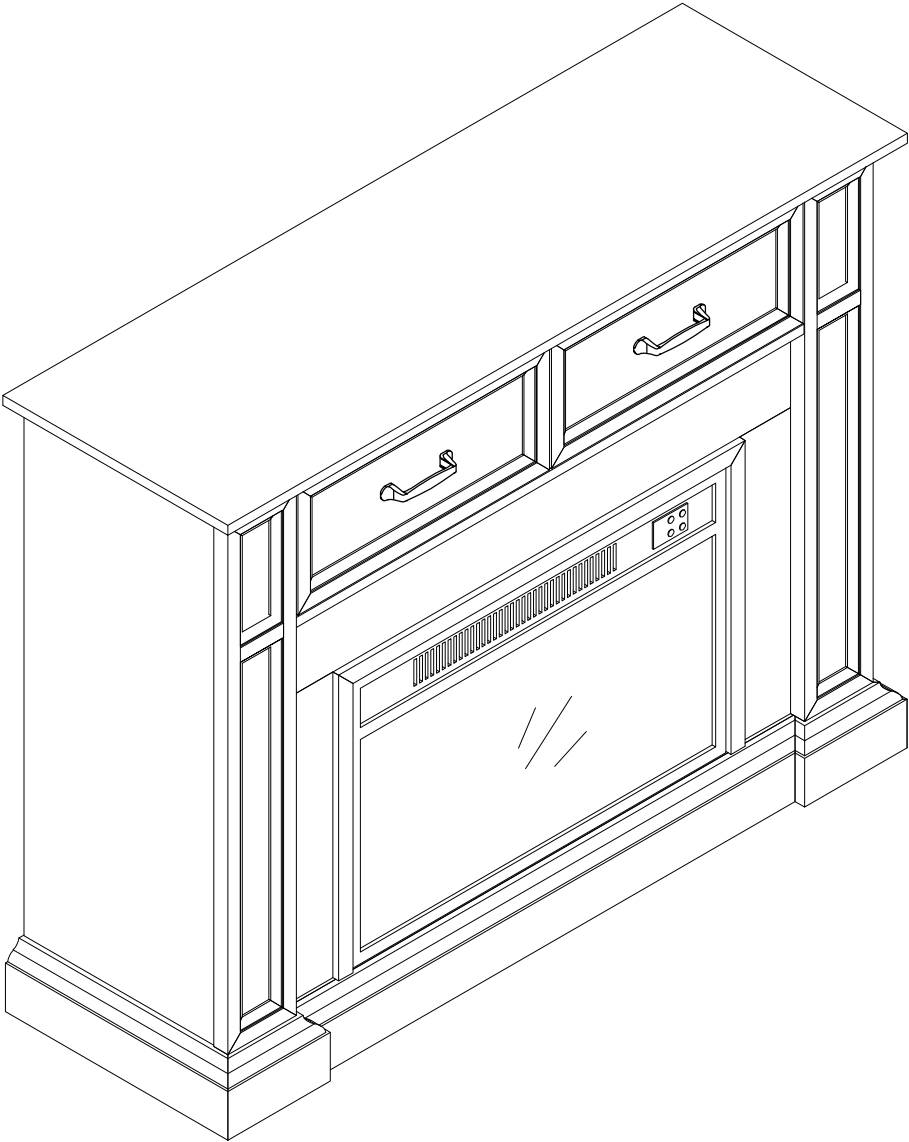
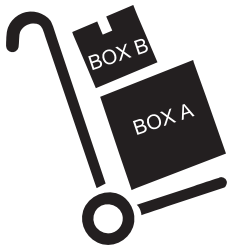


INSTRUCTION MANUAL

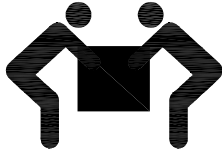


TC-CF-0402 26"



ATTENTION

our product comes with TWO PACKAGES with TWO TRACKINGS may NOT be delivered at the same time.



WARNING

Some steps are more easily handled with two adults.

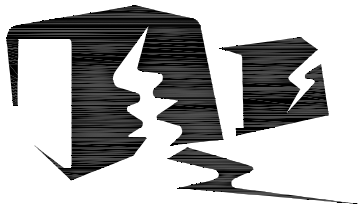


CAUTION

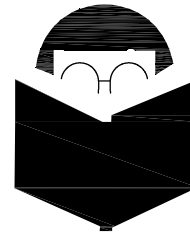
Before assembly and/or installation, carefully unwrap all components. Locate the hardware kit and set it aside before discarding packaging. Handle with care when assembling your new product. Take your time and follow assembly instructions closely.



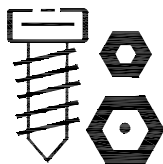
If you have any questions below, please feel free to contact us. We will respond within 24 hours.



ANY DAMAGE



**READ INSTRUCTIONS
CAREFULLY**



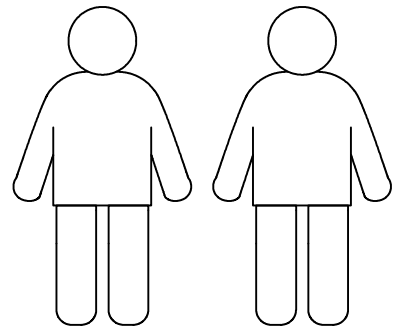
MISS SOME PARTS



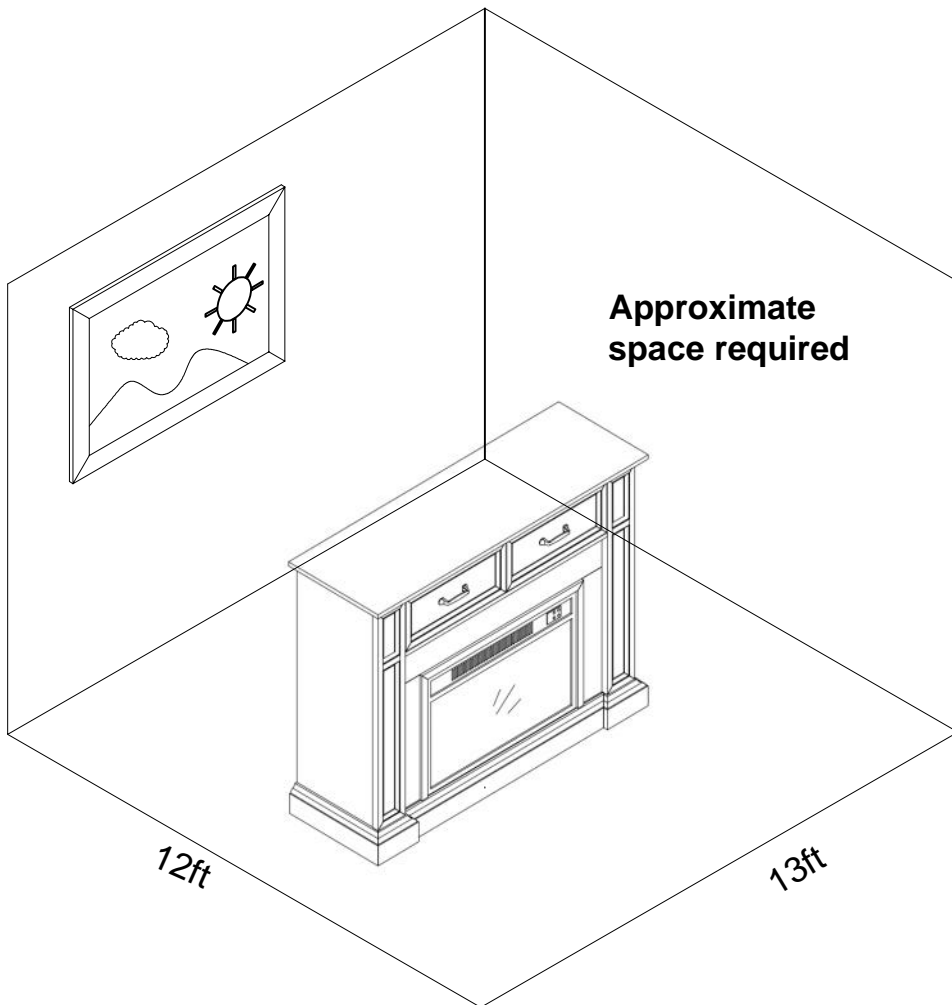
OTHER QUESTIONS

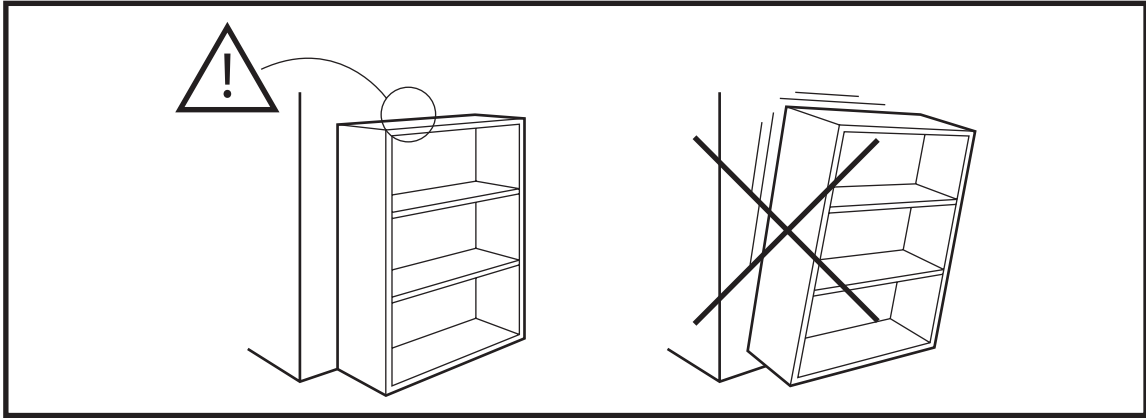


30 min



Two People Required

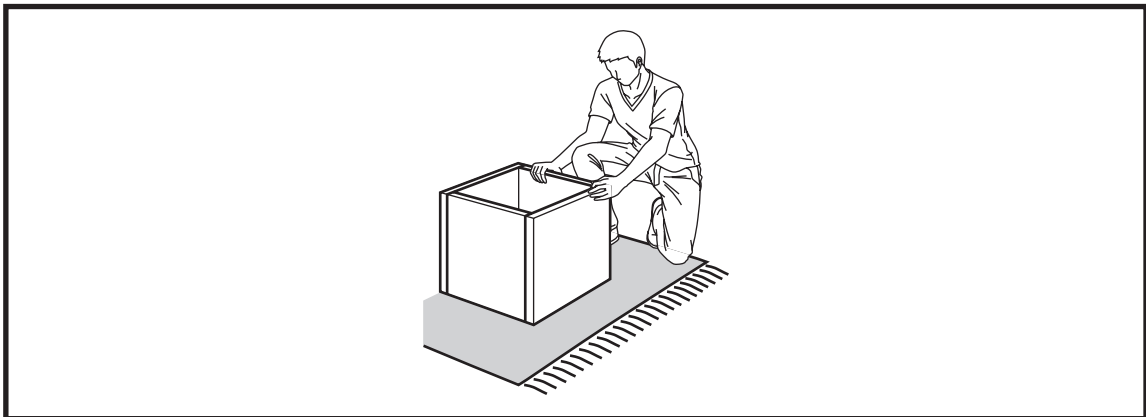




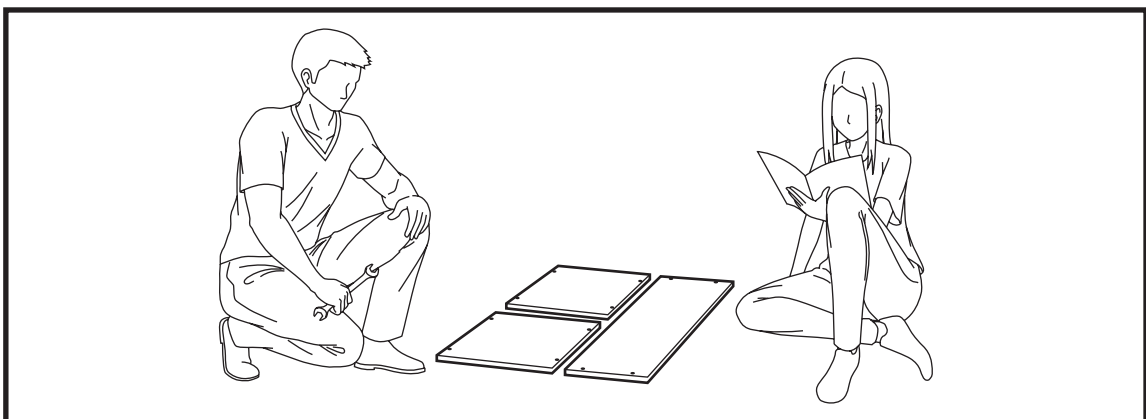
Warning

Serious or fatal crushing injuries may occur if the furniture tips over. Furniture must be permanently fixed to the wall with the included anti-tipping device to prevent the furniture from tipping over.

Different wall materials require different types of fixing devices. Use a suitable fixing device to ensure the stability and load-bearing capacity of the furniture. If you are uncertain about which type of fixing device to use, please contact your local hardware store.



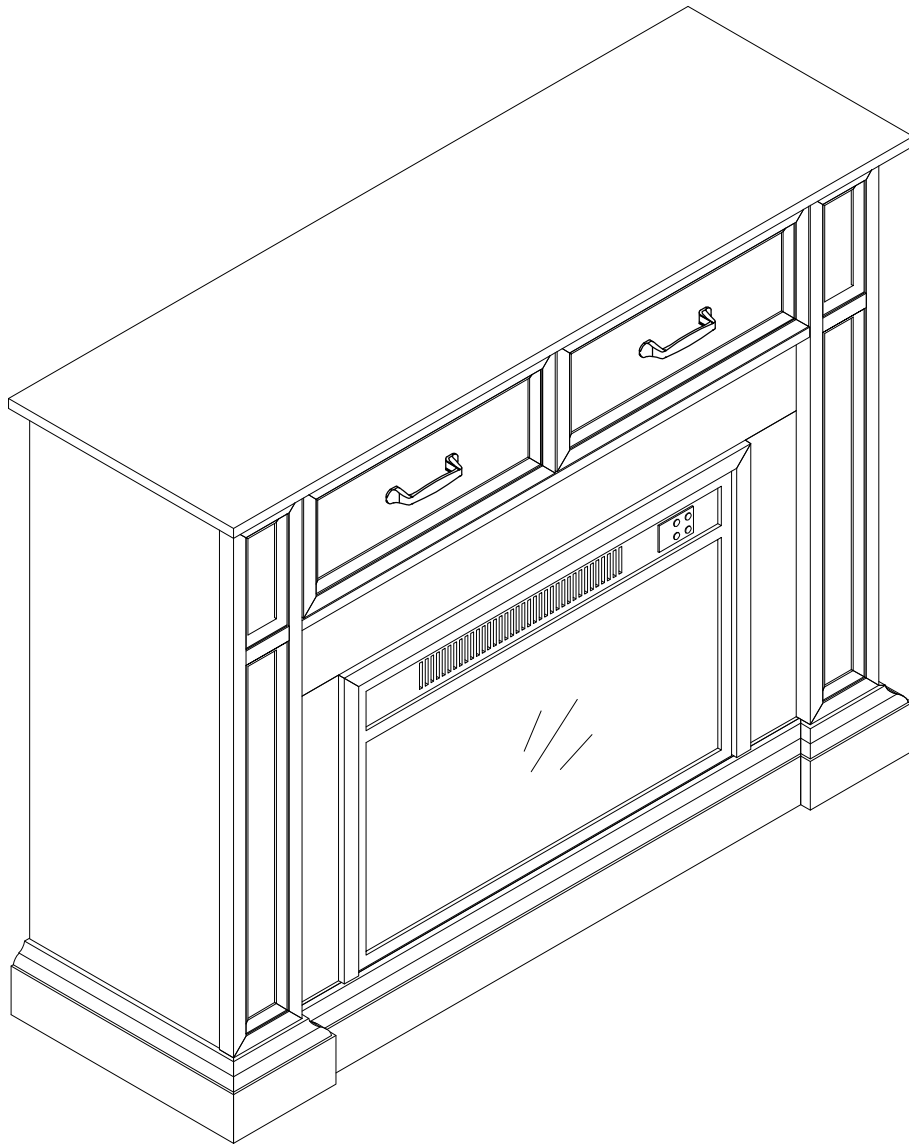
Assemble the furniture on an empty carton, carpet, or rug to prevent scratches or damage



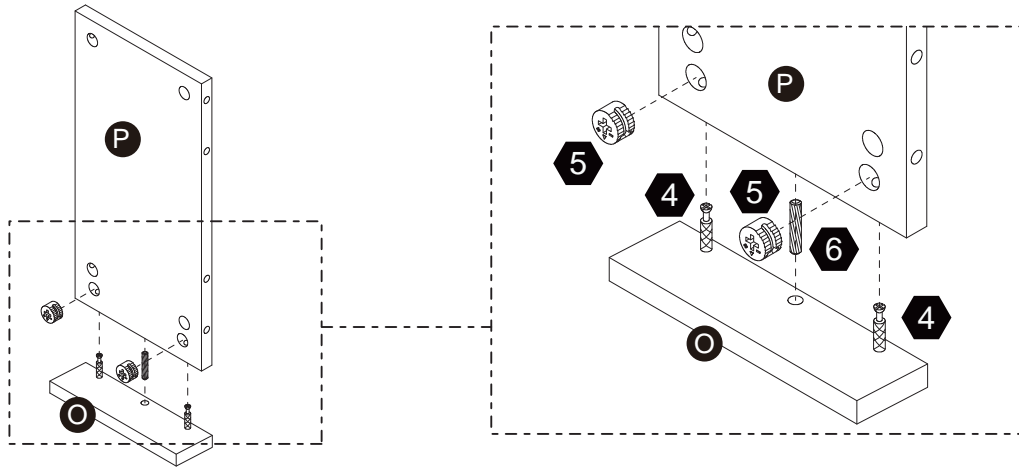
This furniture requires 2 people to assemble.
Make sure no parts are missing or damaged before assembly.

GENERAL INFORMATION, TIPS AND TRICKS

1. Please read the Assembly instructions prior to assembling this product.
2. Remove all hardware from the box and sort by size.
3. Check that all hardware and parts are present BEFORE assembling
4. Ask a friend to assist you with the assembly of this furniture.
5. To avoid damage, assemble the product on a sturdy, level and protective surface.
6. Please wait until all steps are completed before fully tightening bolts.
7. Make sure all screws and bolts are tightly fastened before using the unit.

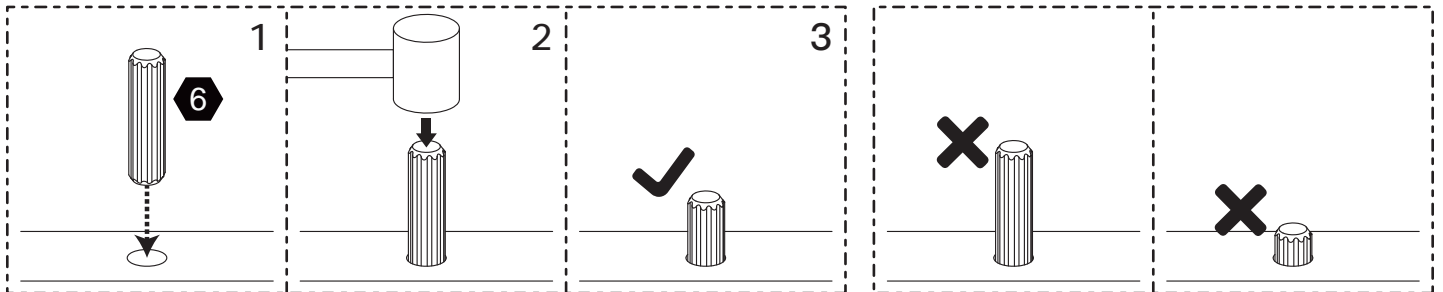


How the Assembly System Works



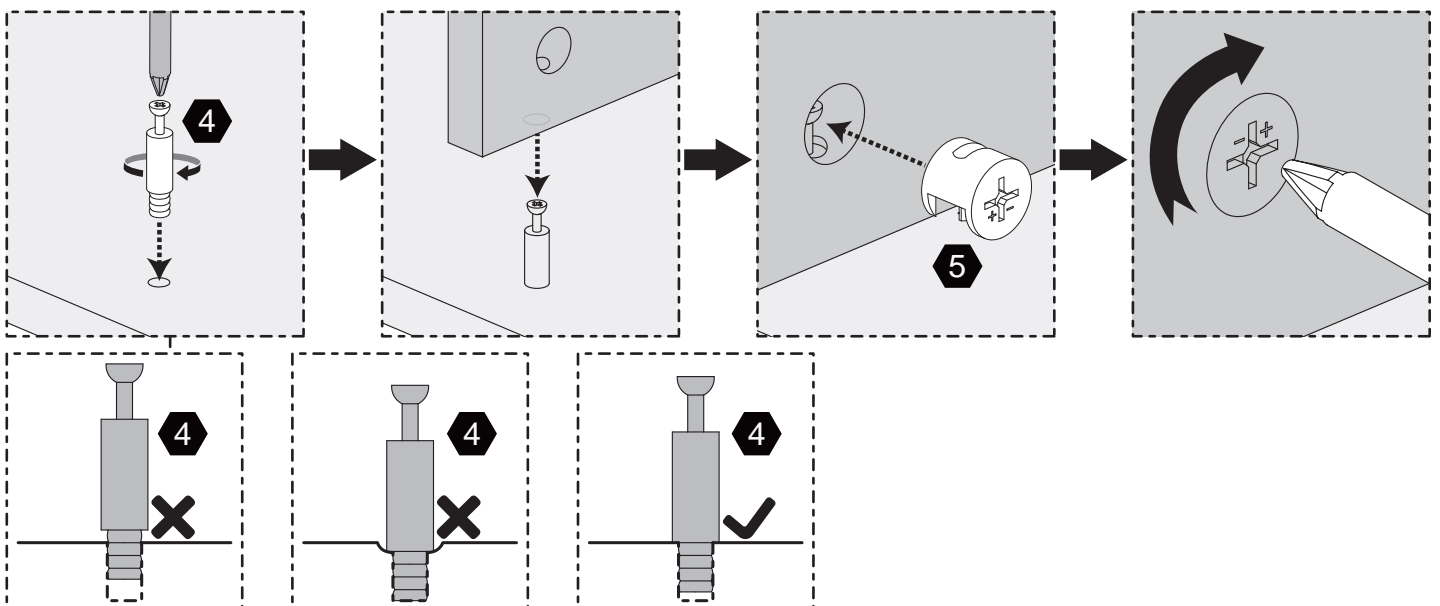
How to Install Wood Dowel

Insert the wood dowel [6] at least half-way. IF NECESSARY, lightly tap the wood dowel with a self-supplied rubber mallet.

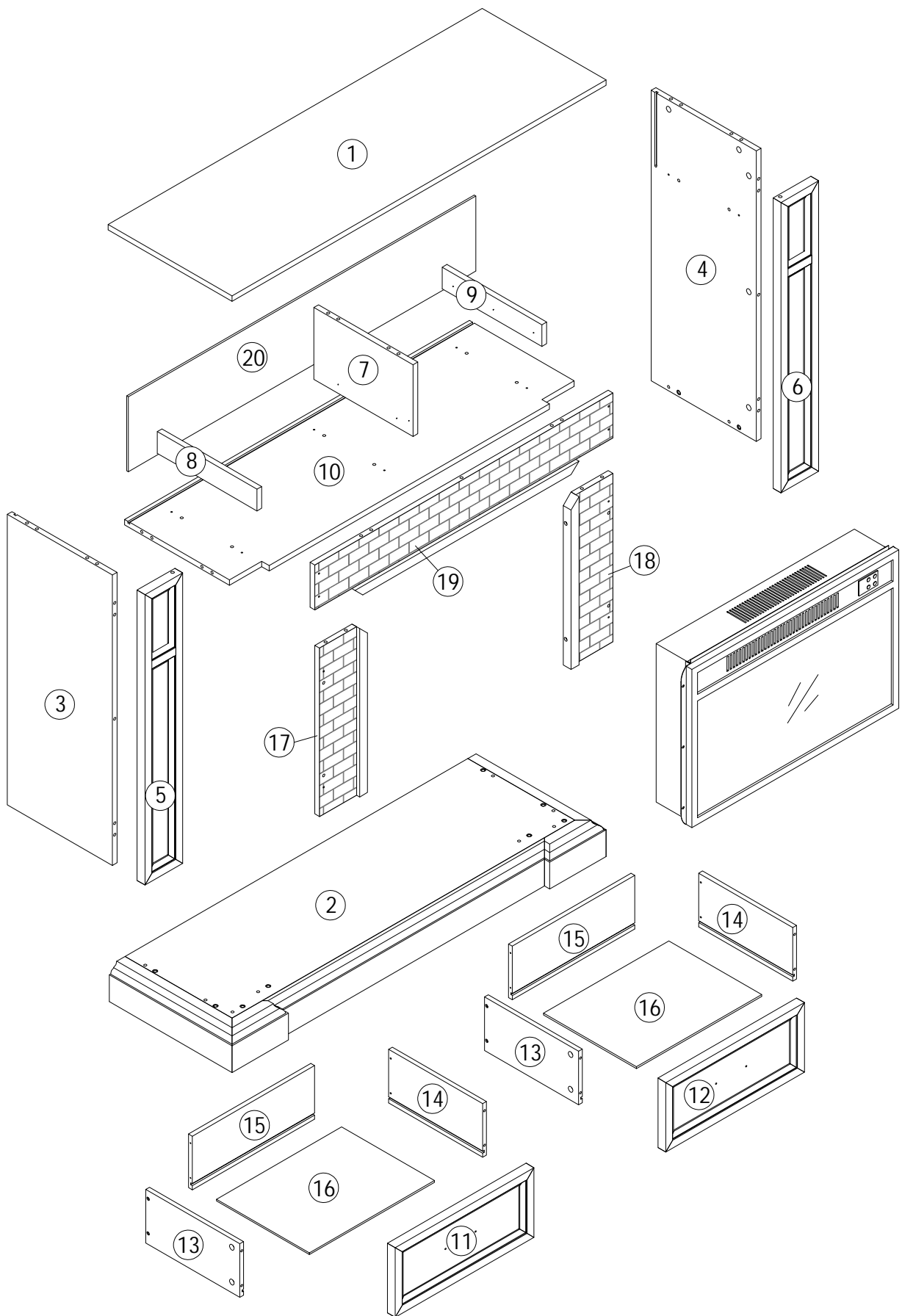


Cam Lock System Operation

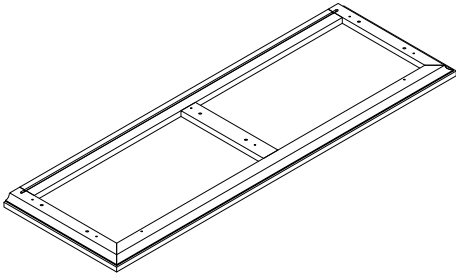
1. Screw the cam bolt [4] into the threaded insert on the panel.
2. Connect both panels together making sure cam bolt [4] goes into the pre-drilled large hole on the end of panel for cam lock [5].
3. Insert the cam lock [5] into the pre-drilled large hole on the panel. Make sure the cross slot of cam lock [5] faces out.
3. Rotate the cam lock [5] clockwise to lock the cam bolt [4] in place.



You are now ready to assemble the Fireplace TV Stand.

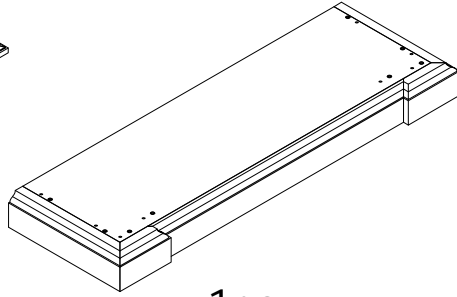


1



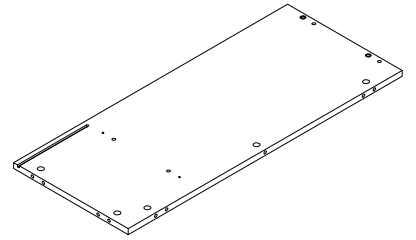
1pc

2



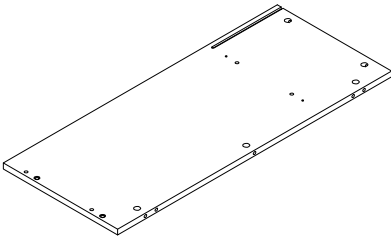
1pc

3



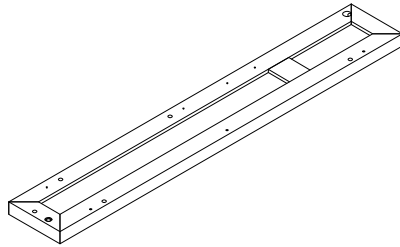
1pc

4



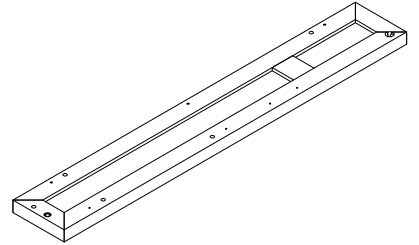
1pc

5



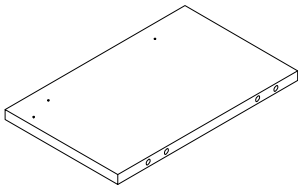
1pc

6



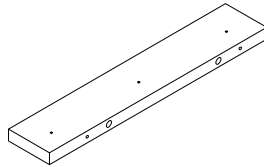
1pc

7



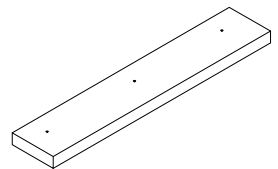
2pcs

8



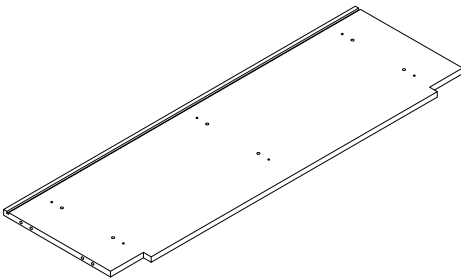
1pc

9



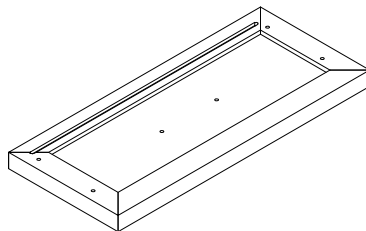
1pc

10



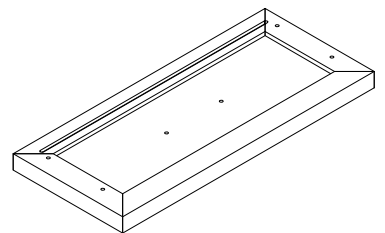
1pc

11



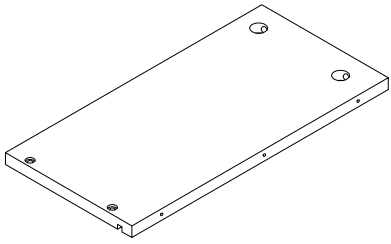
1pc

12



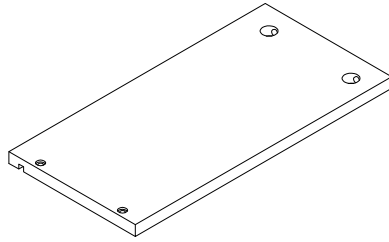
1pc

13



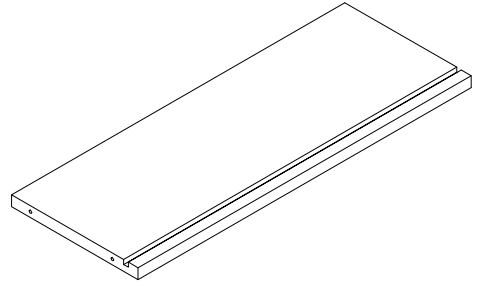
2pcs

14



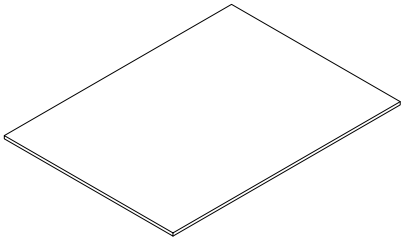
2pcs

15



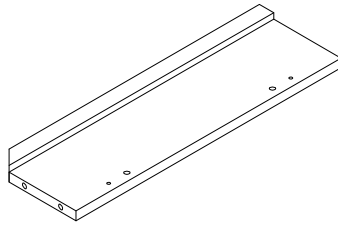
2pc

16



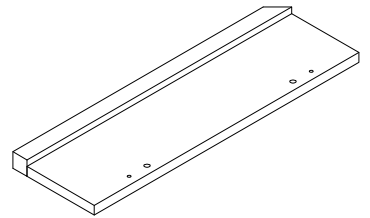
2pcs

17



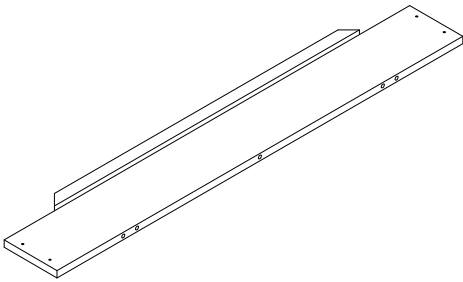
1pc

18



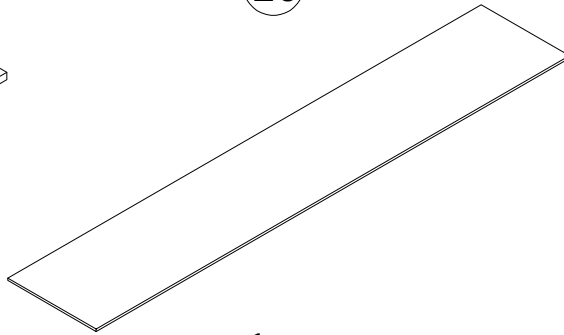
1pc

19



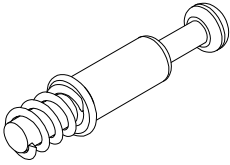
1pc

20



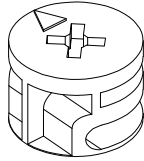
1pc

A



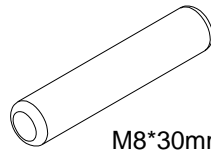
29pcs

B



29pcs

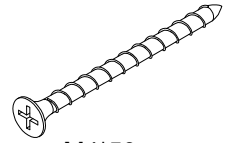
C



M8*30mm

30pcs

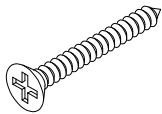
D



M4*50mm

6pcs

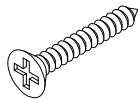
E



M4*35mm

8pcs

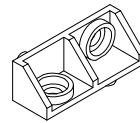
F



M4*25mm

8pcs

G



8pcs

H



G1/4" * 12mm

16pcs

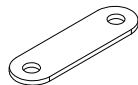
I



M3*12mm

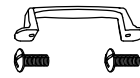
28pcs

J



2pcs

K



2pcs

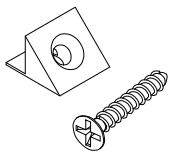
L



M4*12mm

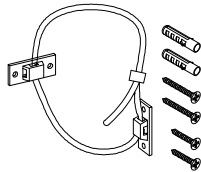
6pc

M



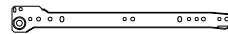
4pcs

N



2pcs

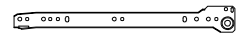
CL



L300mm

2pcs

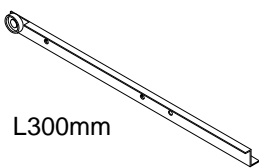
CR



L300mm

2pcs

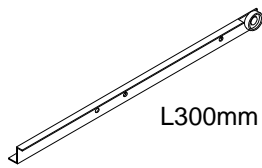
DL



L300mm

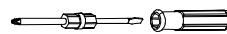
2pcs

DR



L300mm

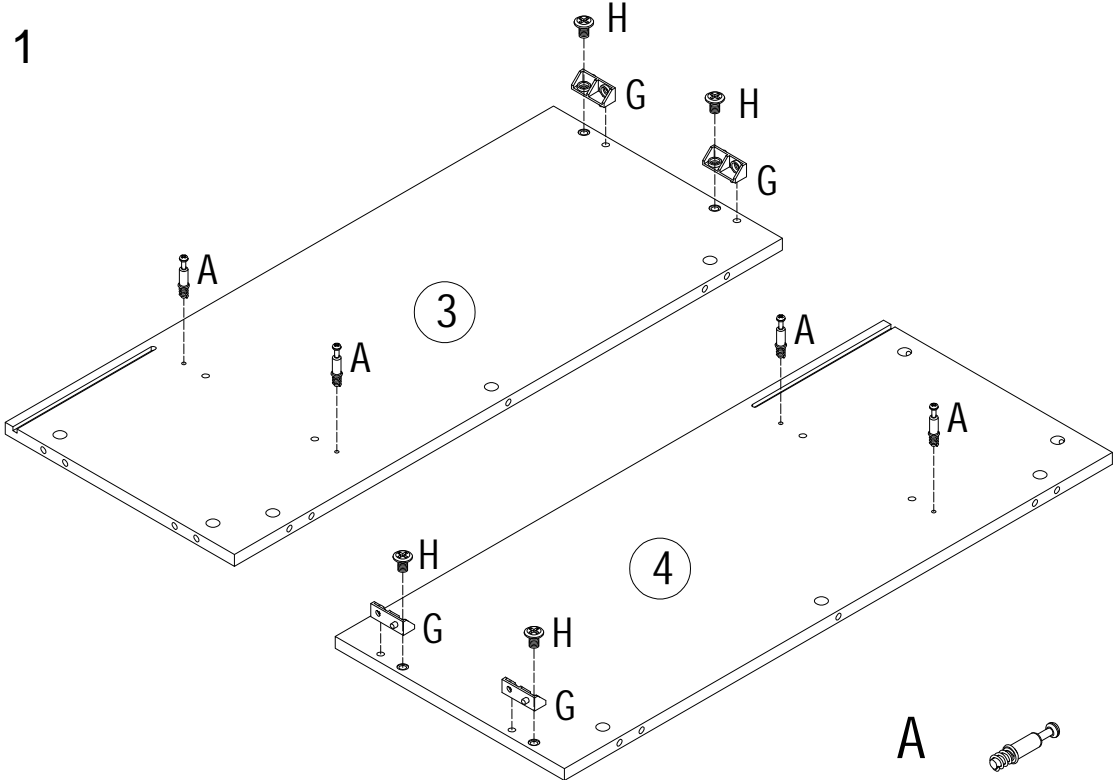
2pcs

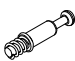




1pc

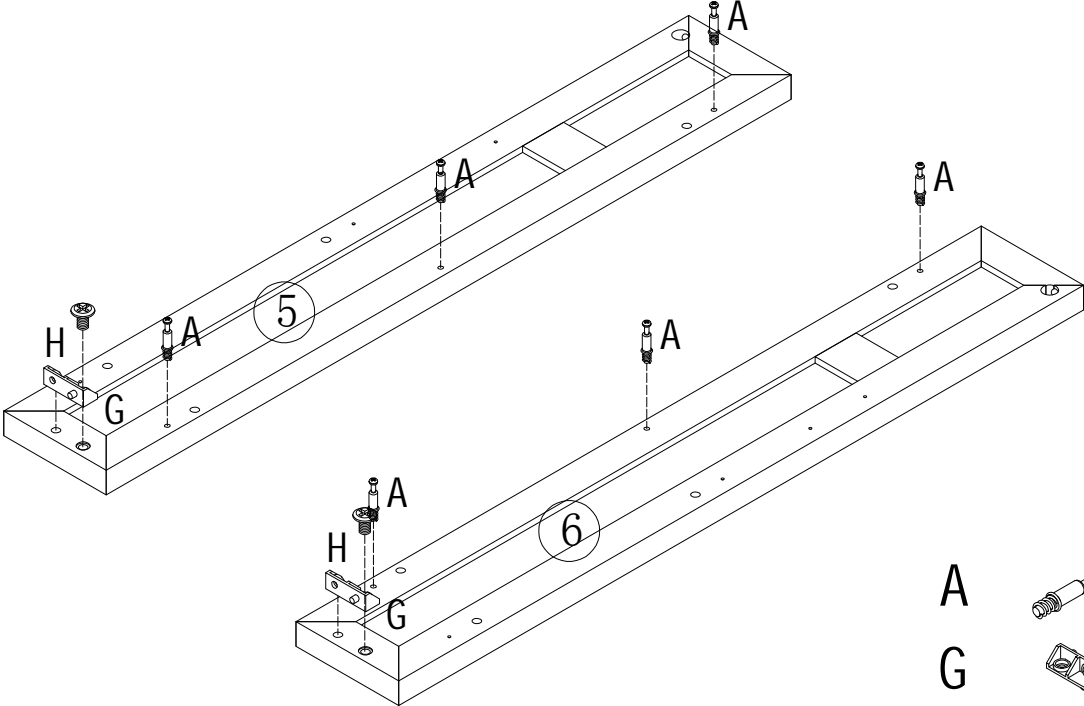
Assembly Steps

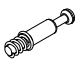


Step 1



- A  x4
- G  x4
- H  x4

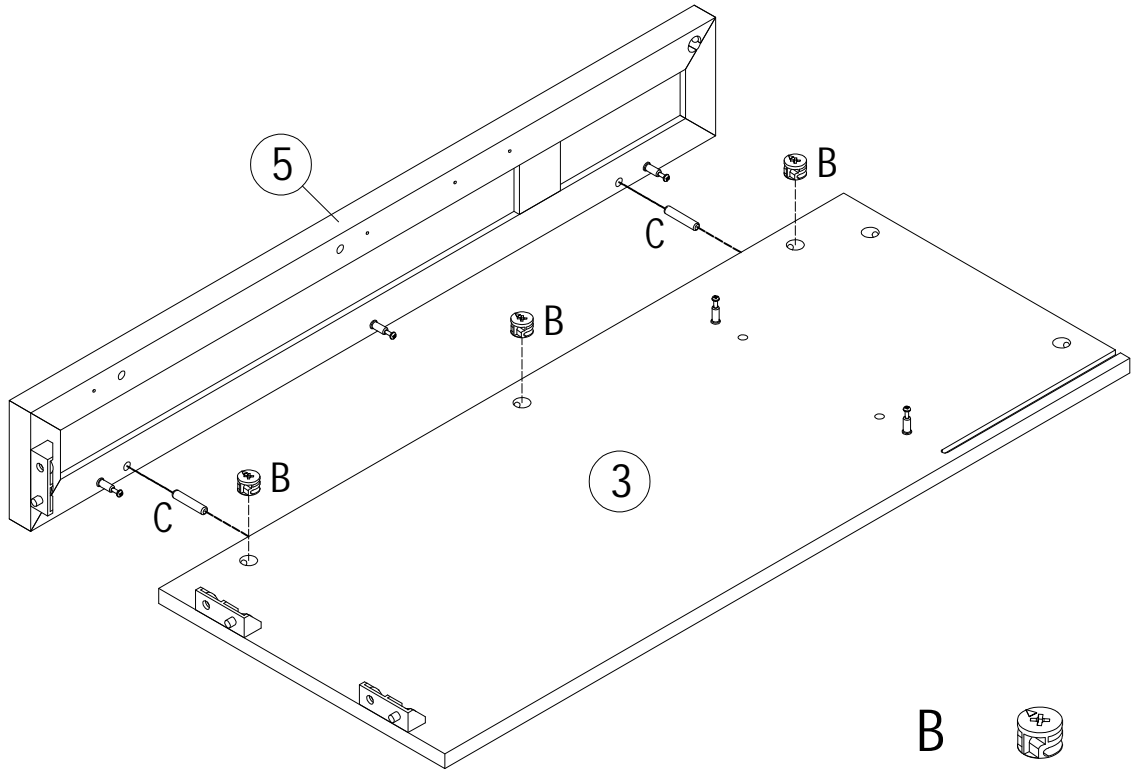
Step 2


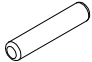


- A  x6
- G  x2
- H  x2

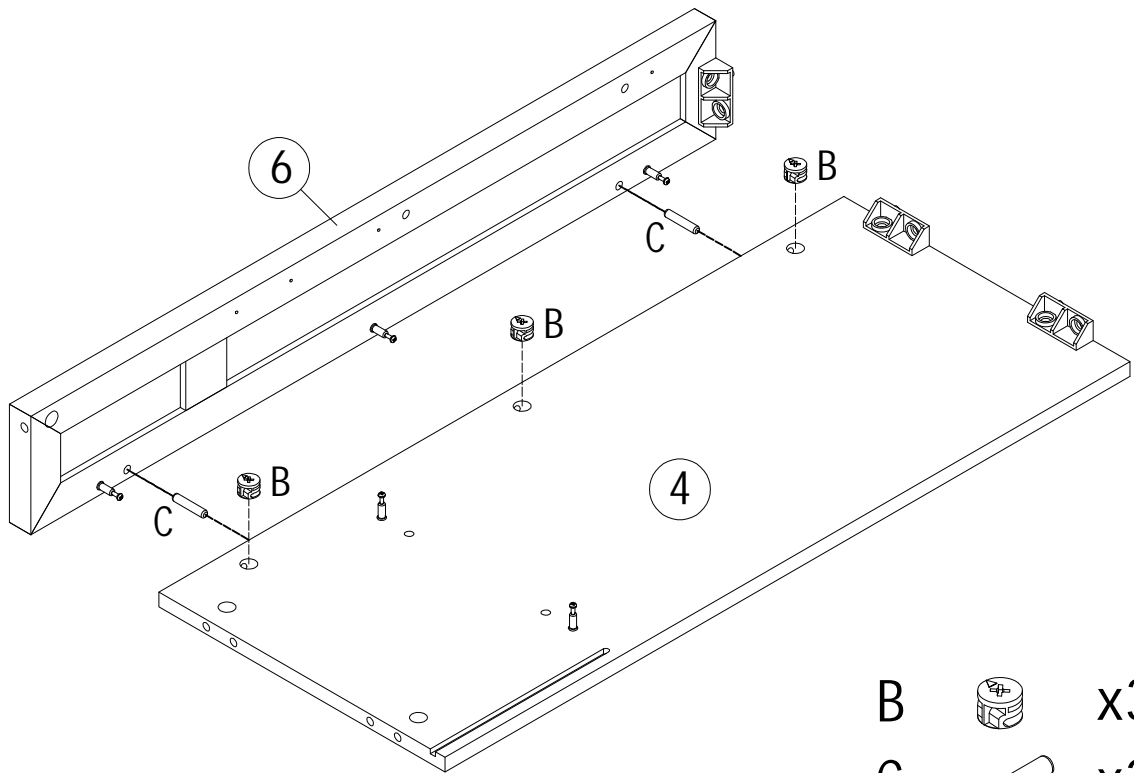
Assembly Steps



Step 3



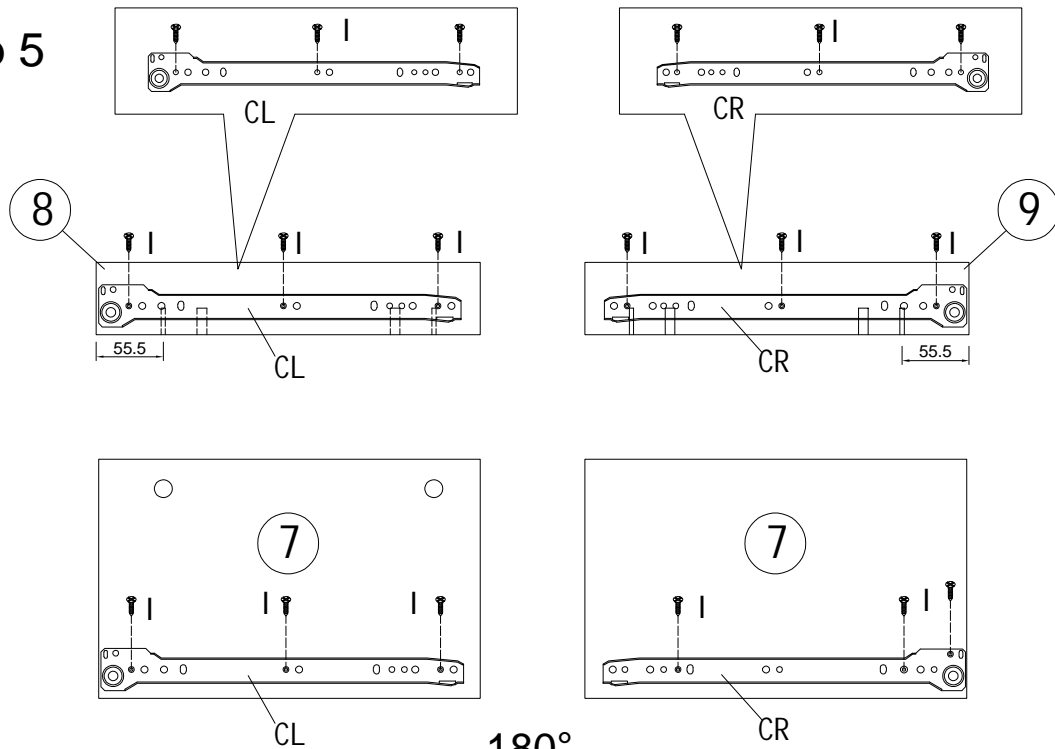
- B  x3
- C  x2

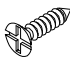
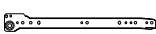

Step 4



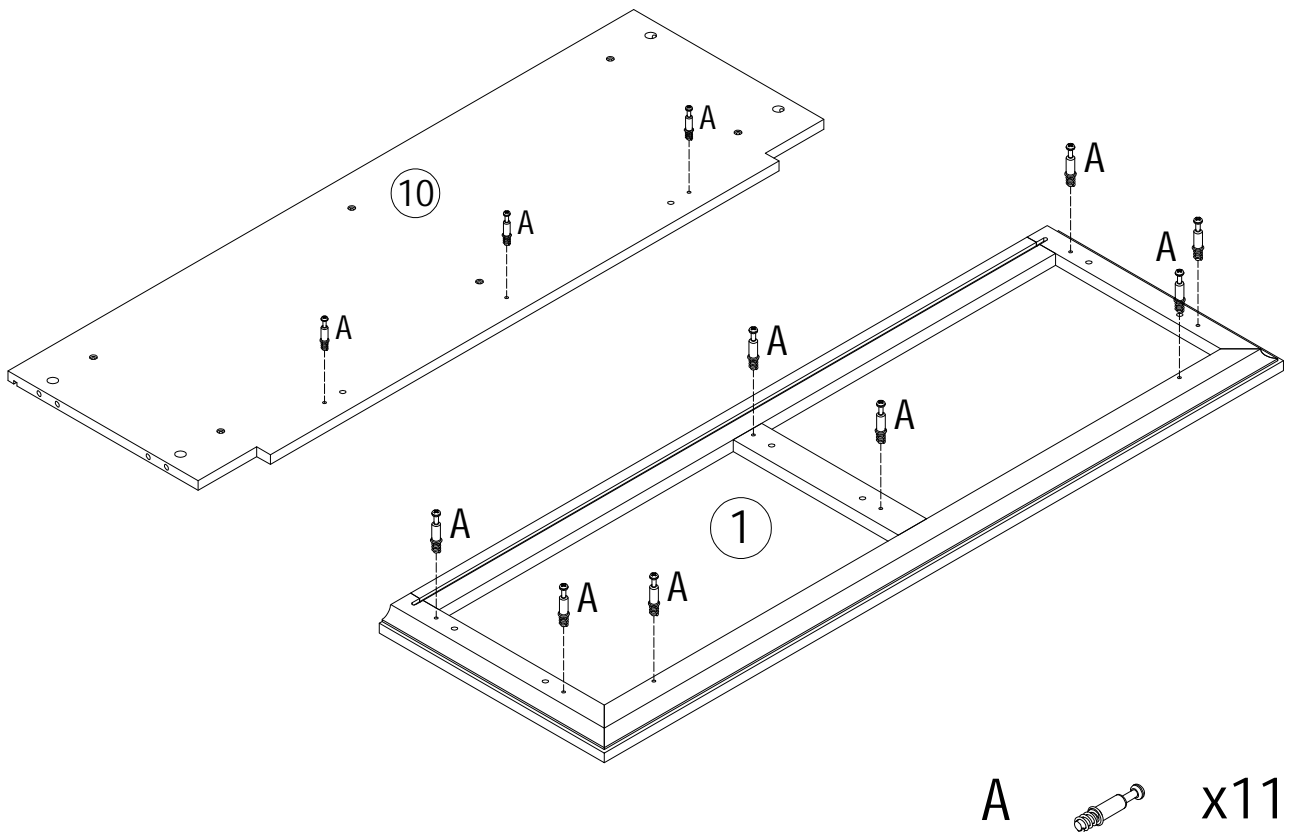
- B  x3
- C  x2

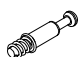
Step 5



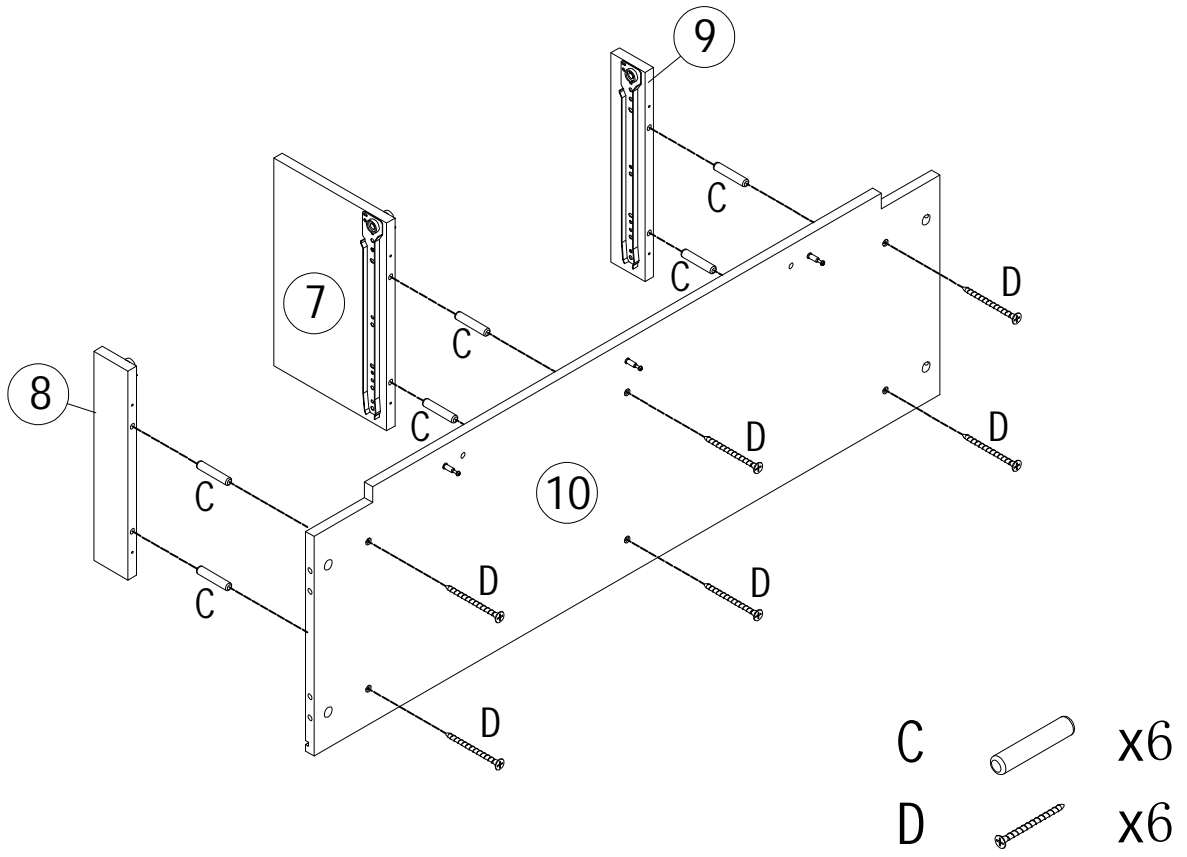
- I  x12
- CL  x2
- CR  x2

Step 6

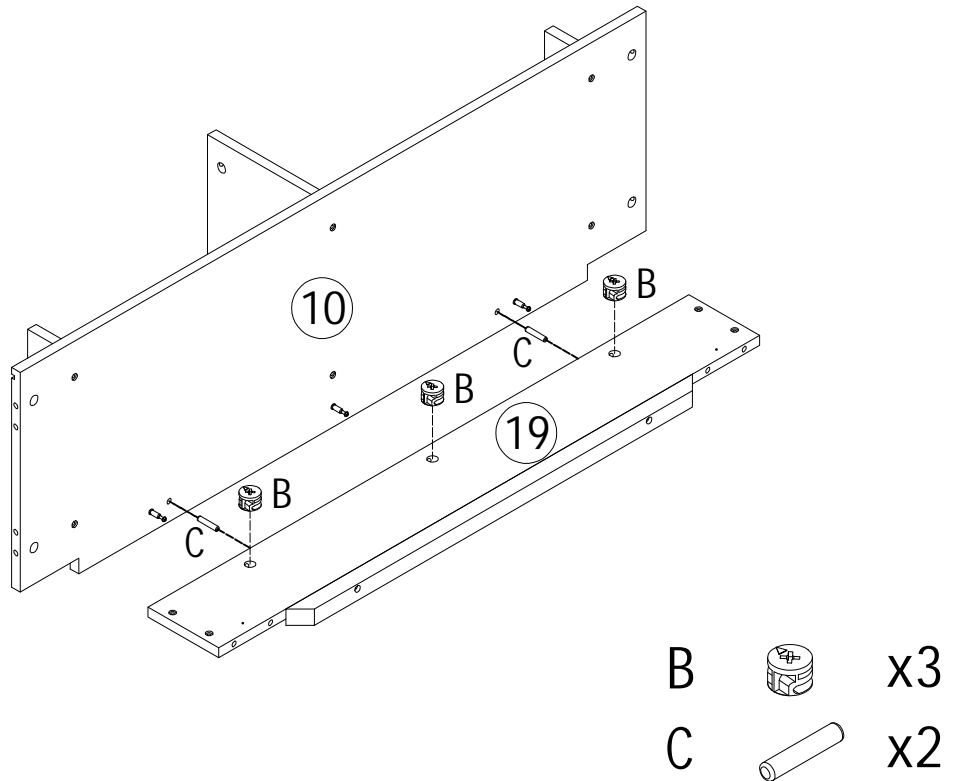


- A  x11

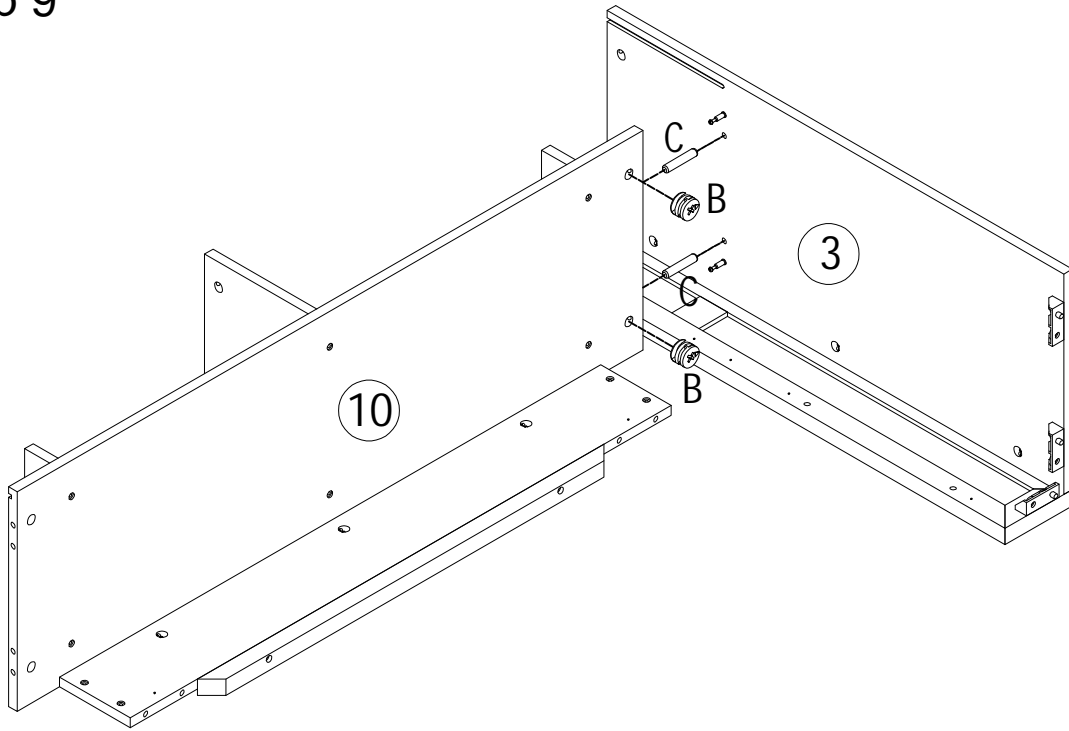
Step 7


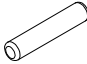


Step 8

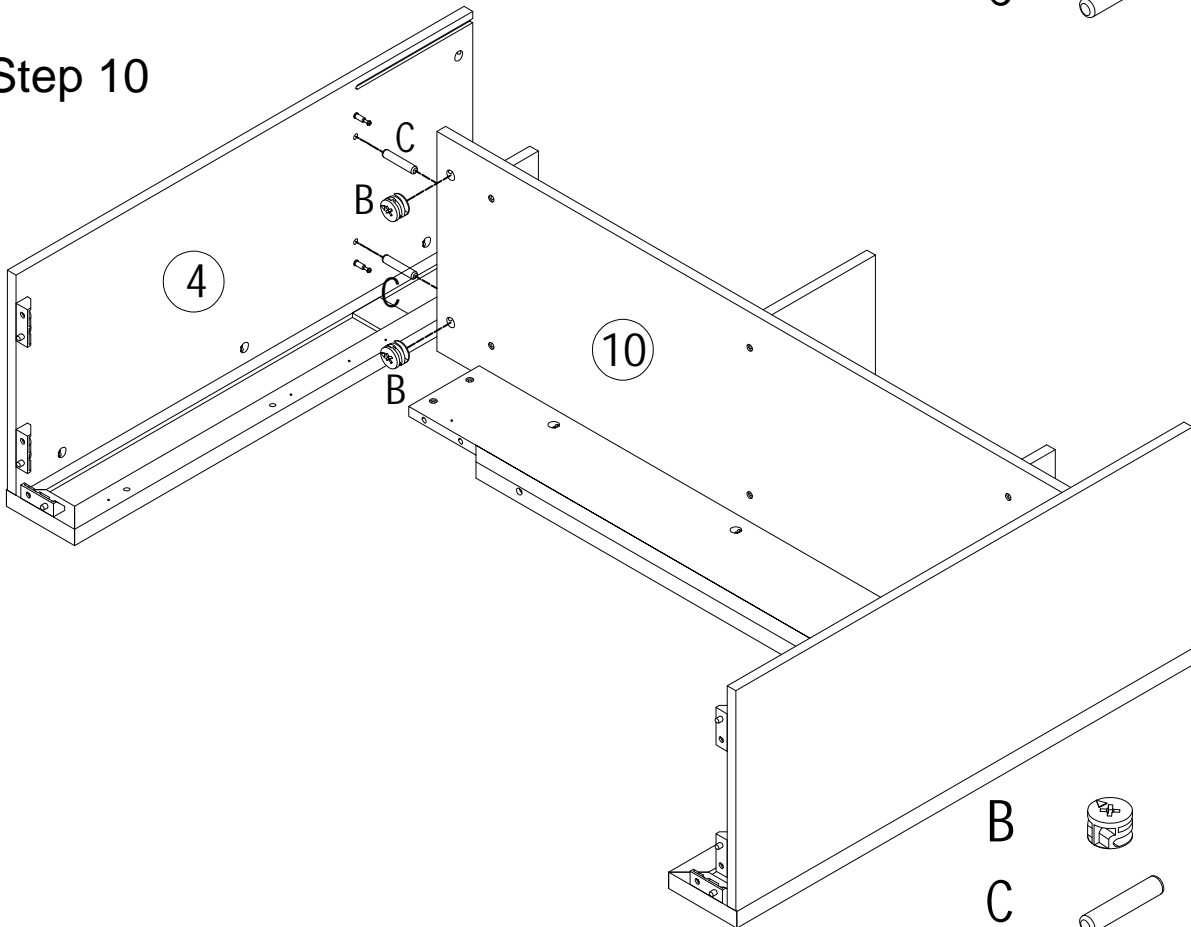



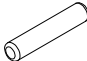
Step 9



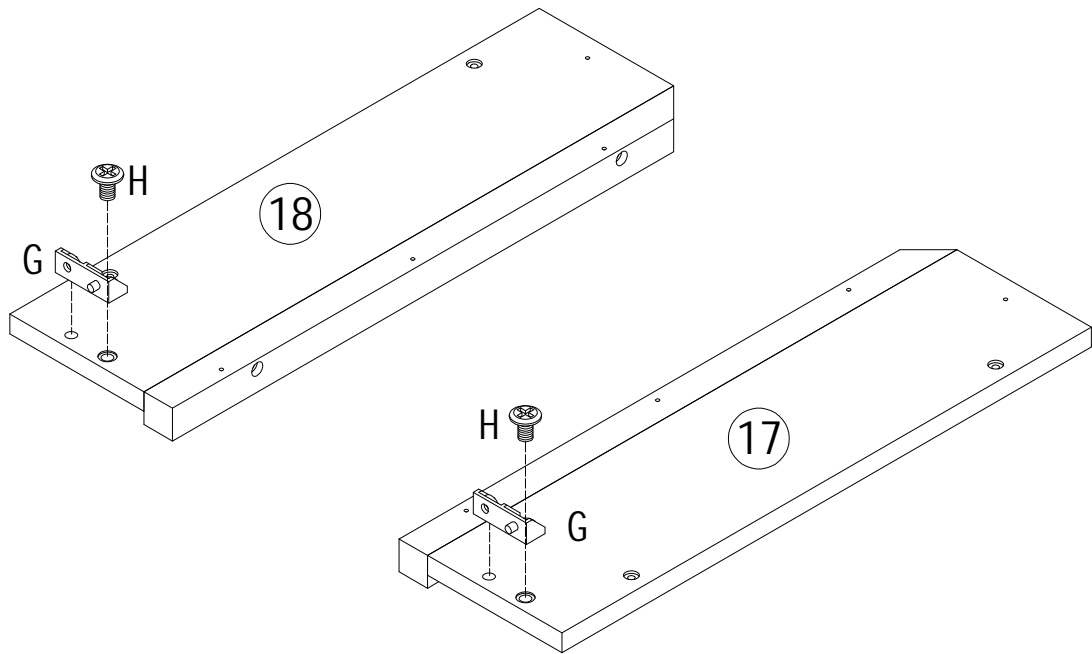
- B  x2
- C  x2

Step 10




- B  x2
- C  x2

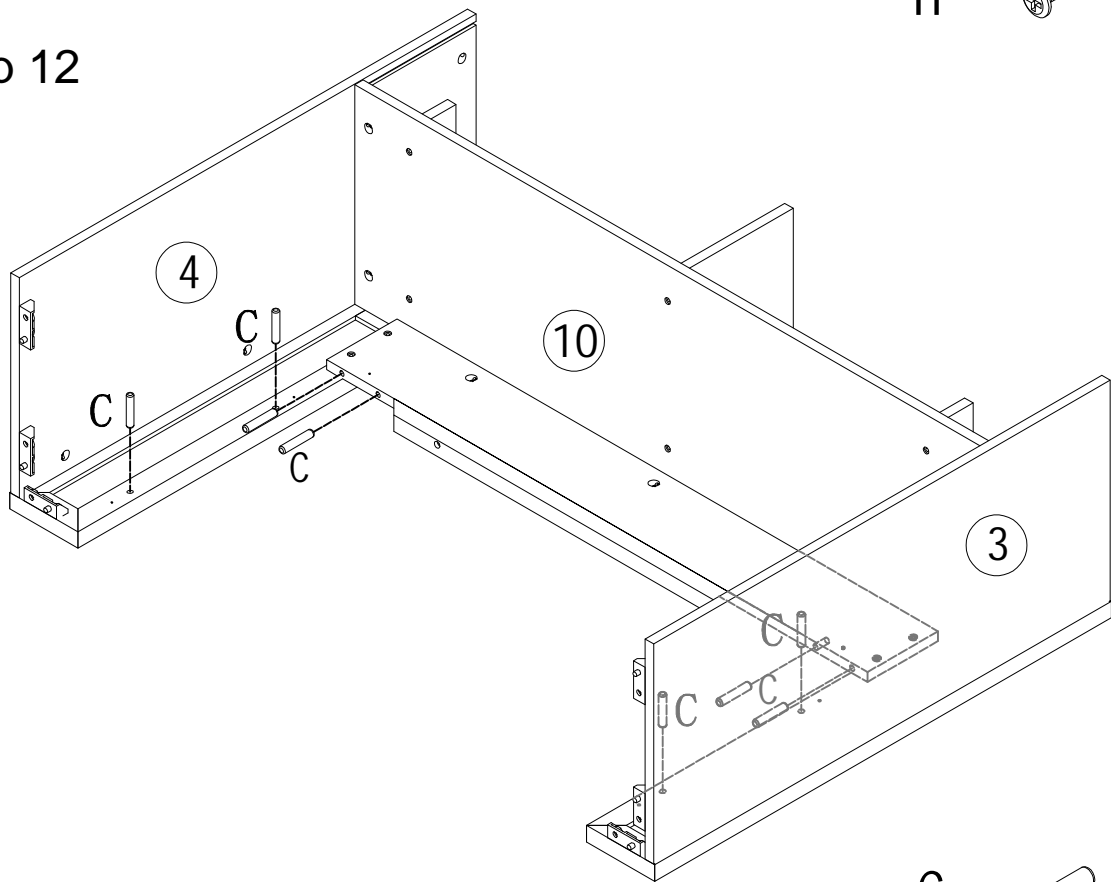
Step 11

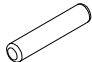


G  x2

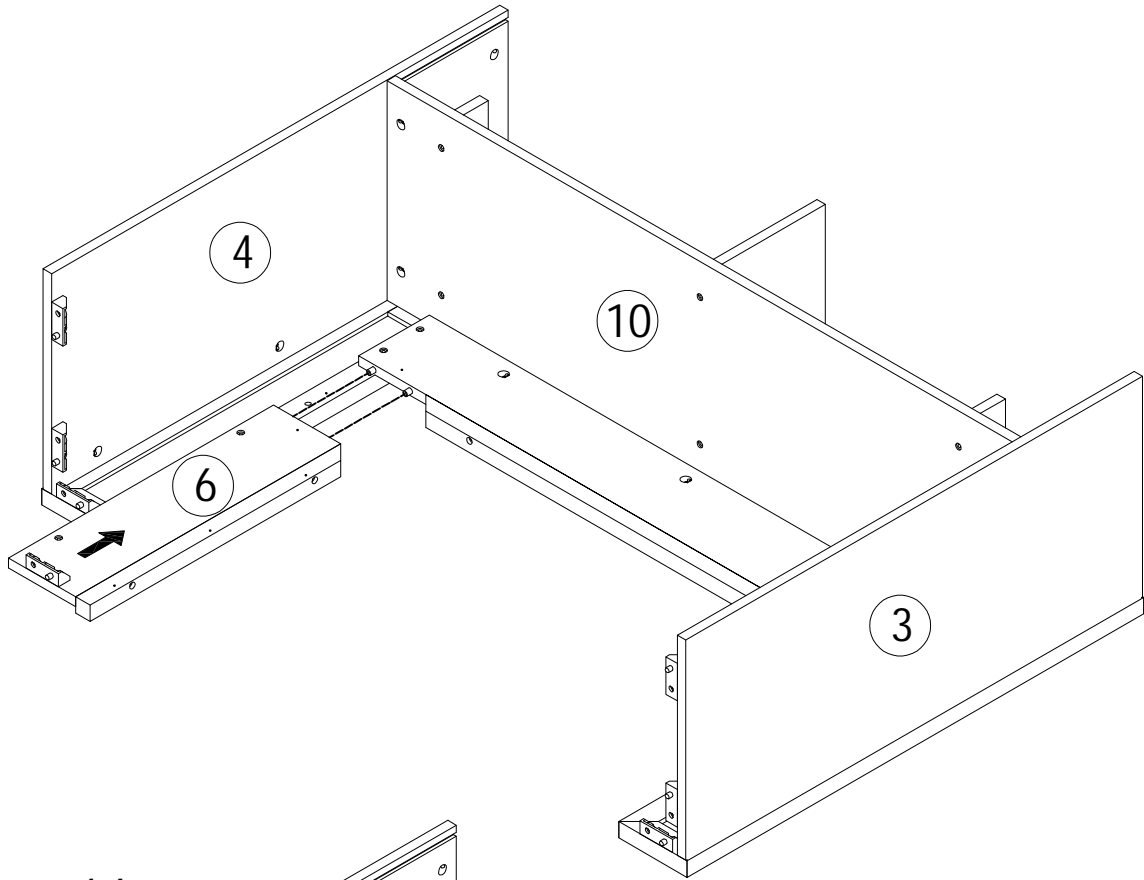
H  x2

Step 12

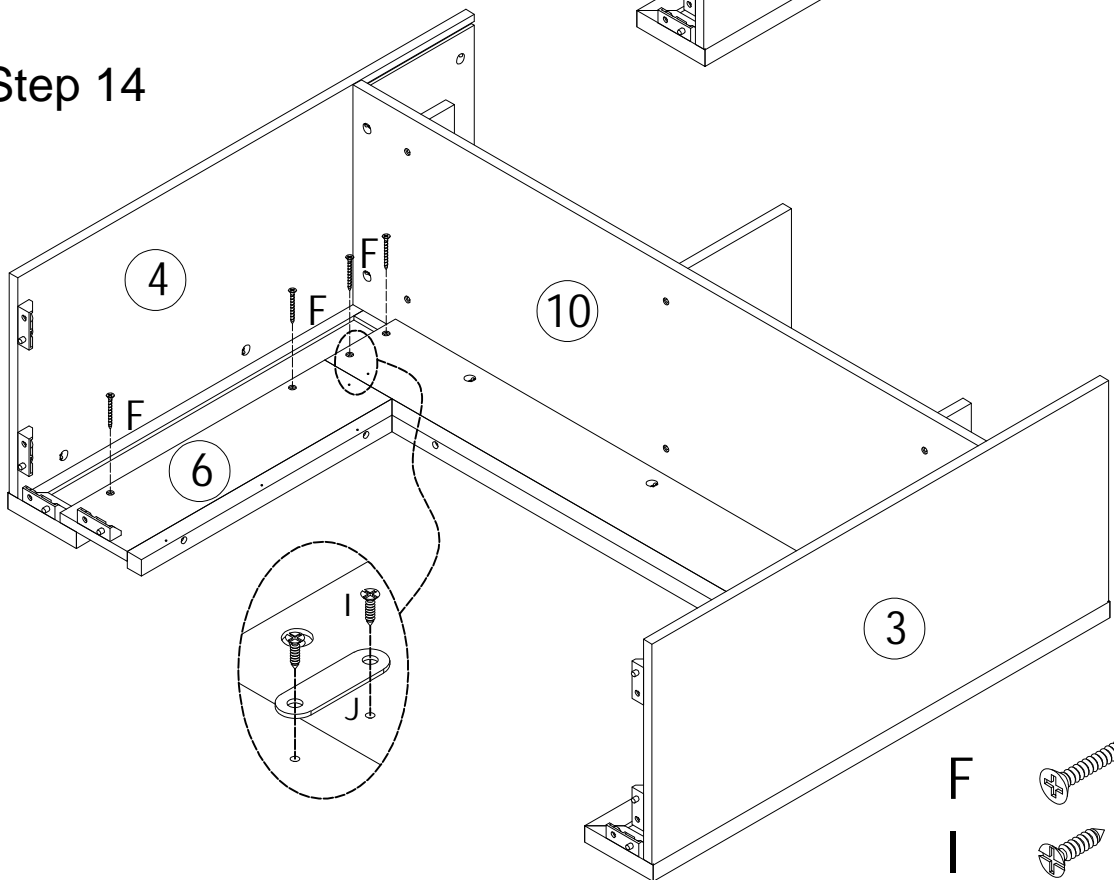


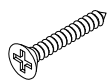
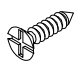
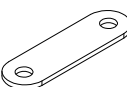
C  x8

Step 13

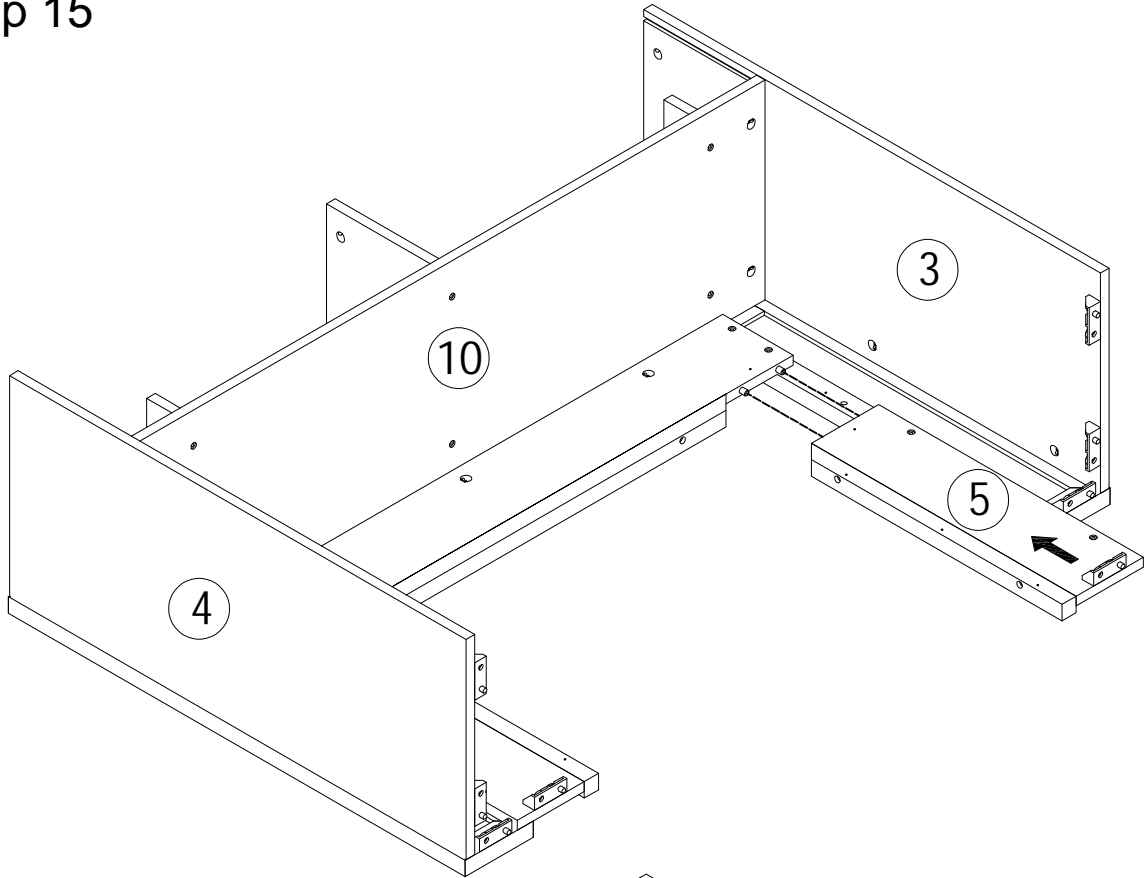


Step 14

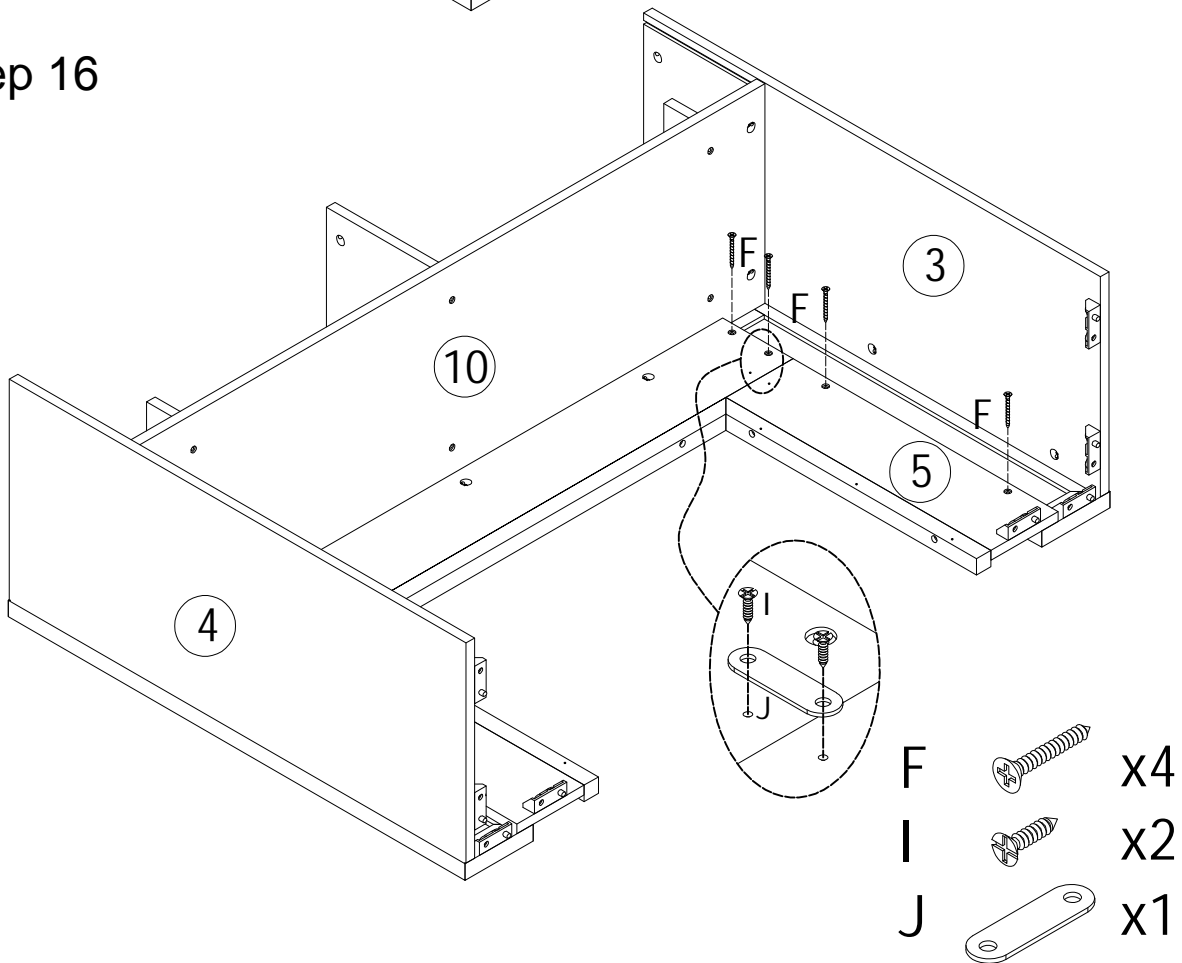


- | | | |
|---|---|----|
| F |  | x4 |
| I |  | x2 |
| J |  | x1 |

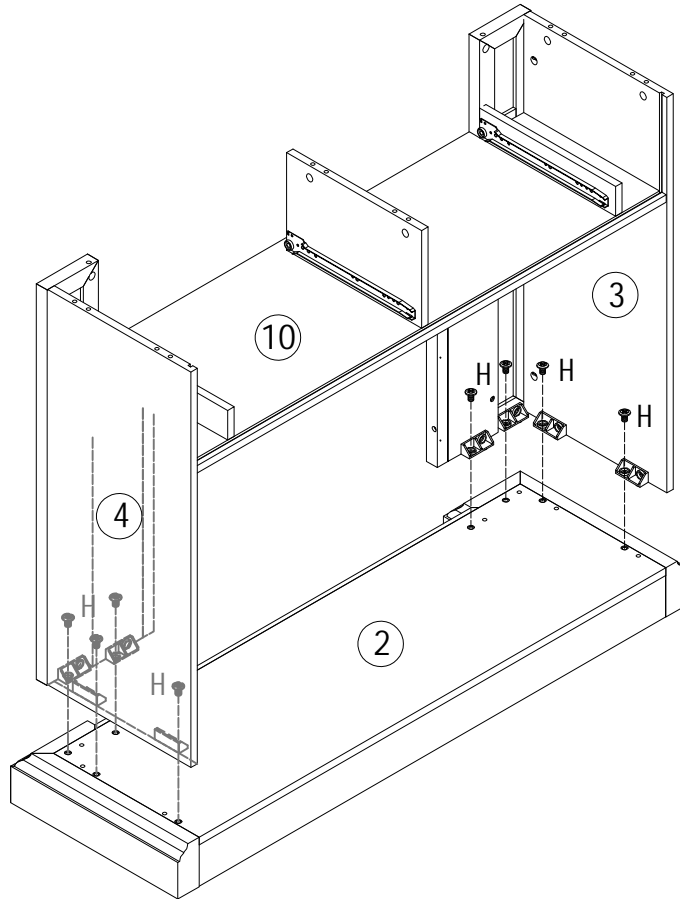
Step 15




Step 16

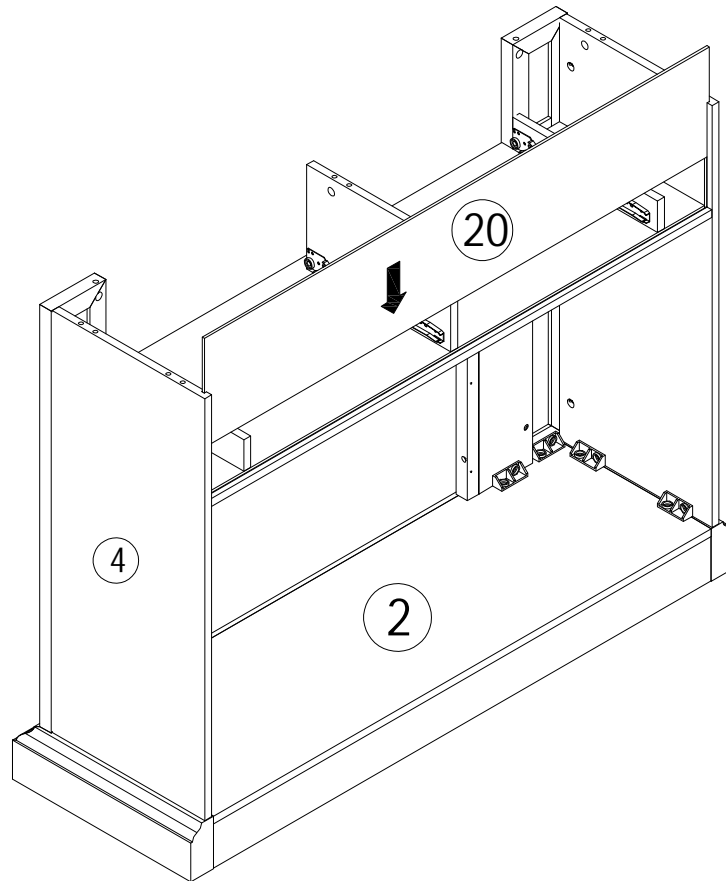


Step 17

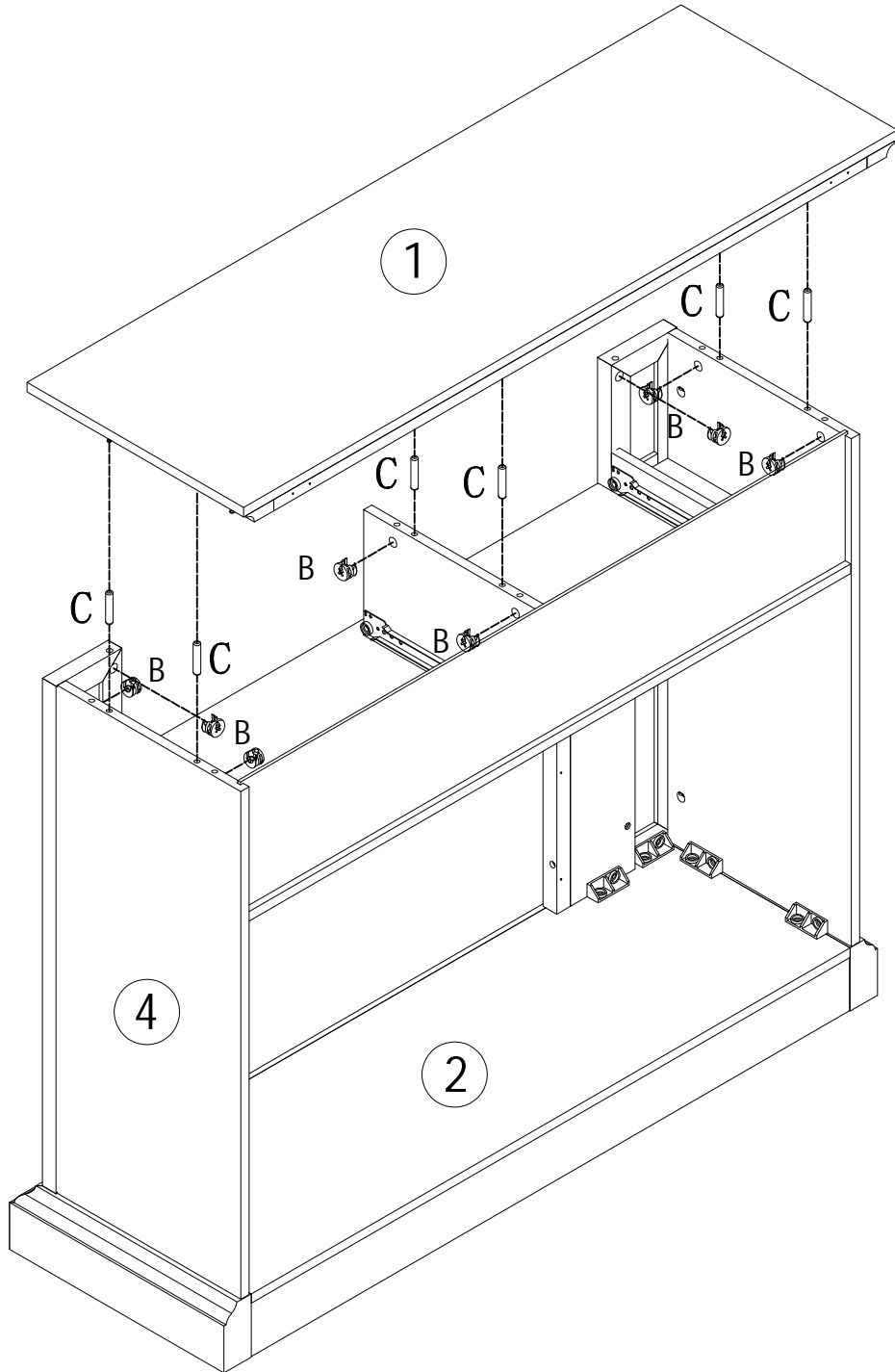



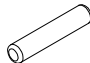
H  x8

Step 18

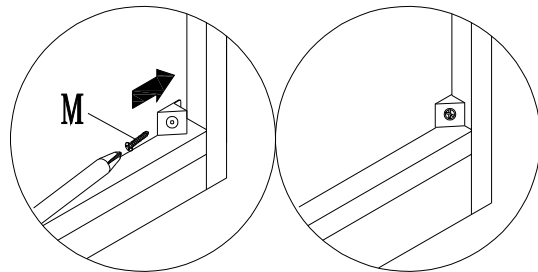
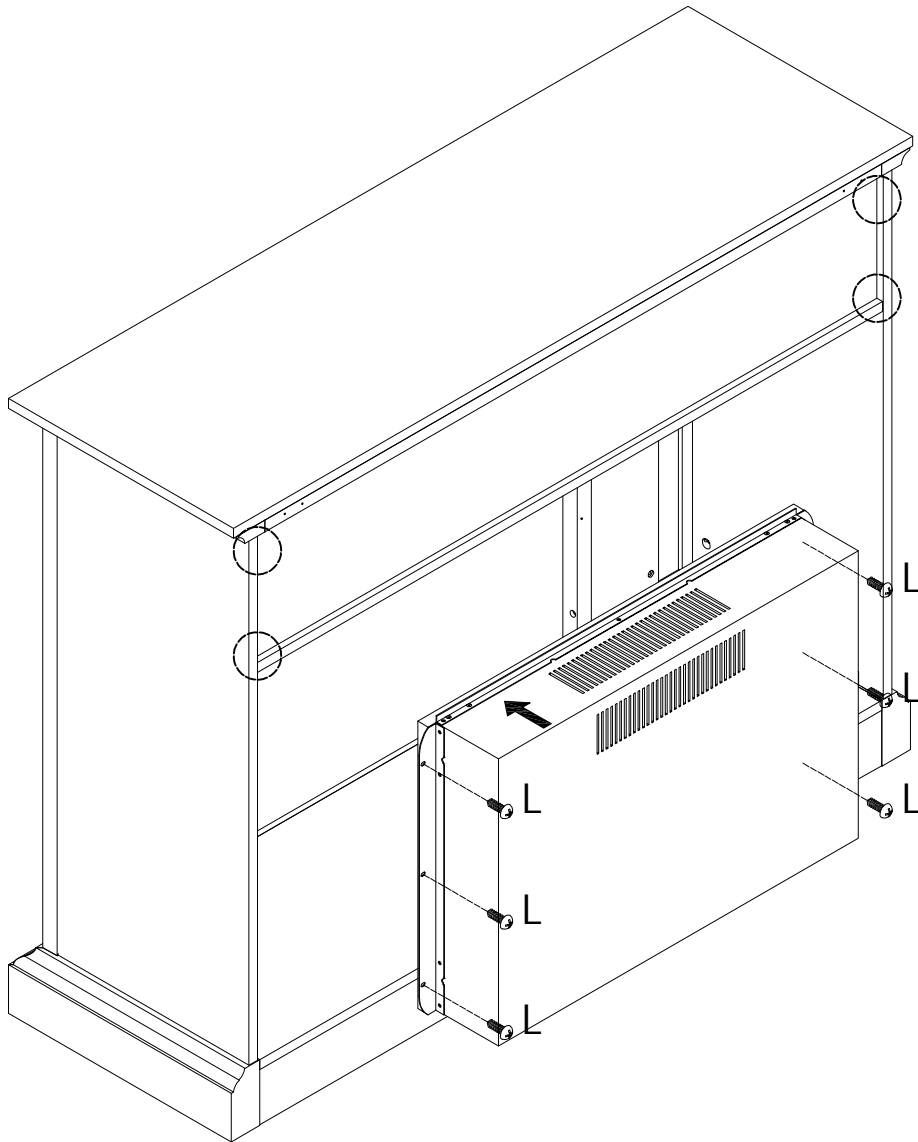




Step 19



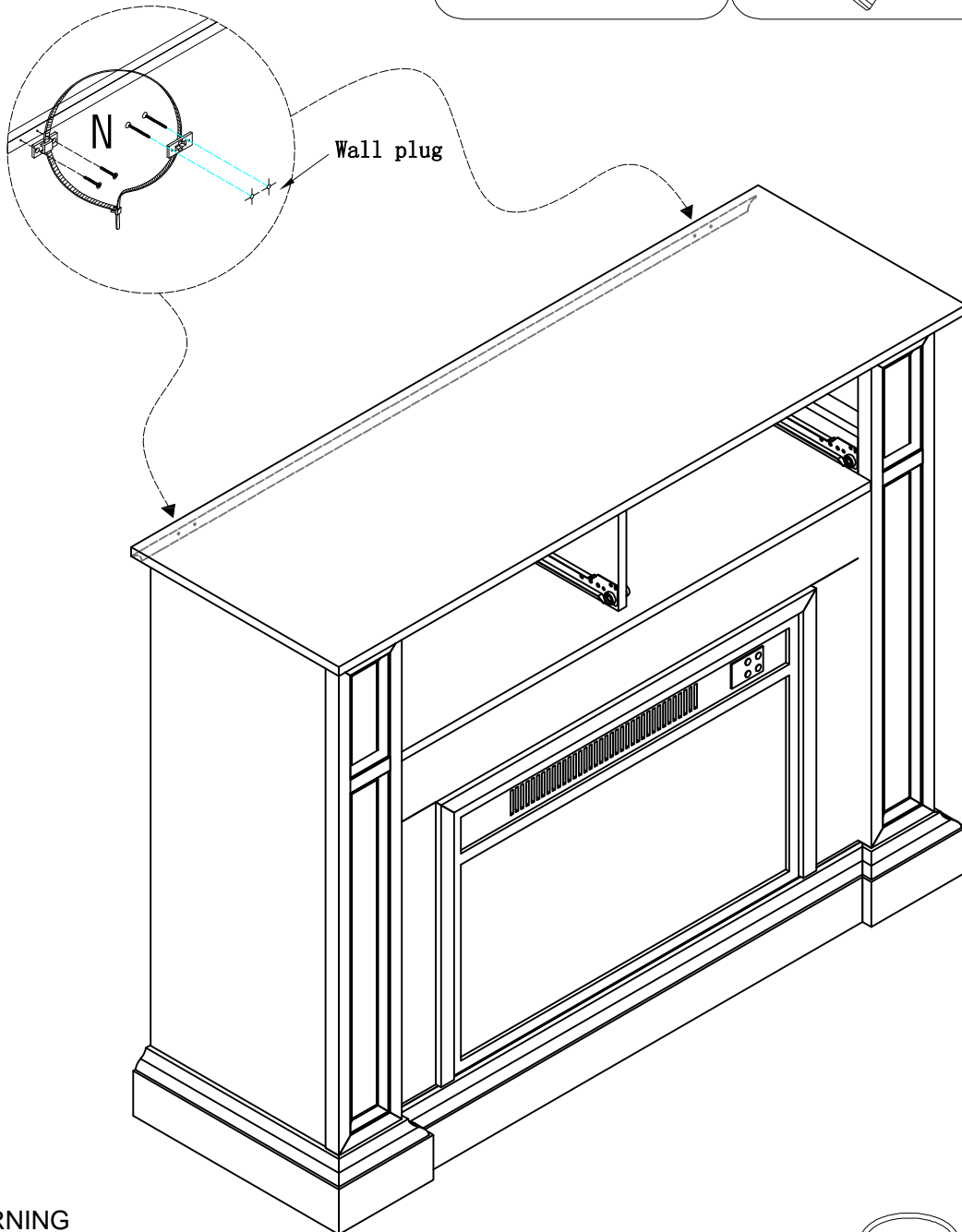
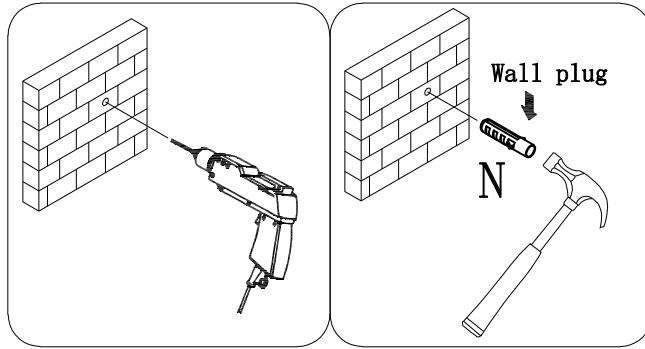
- B  x8
- C  x6

Step 20



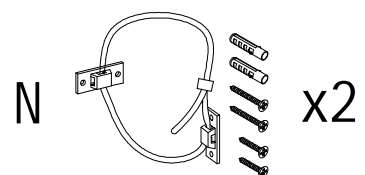
- L  x6
- M  x12

Step 21

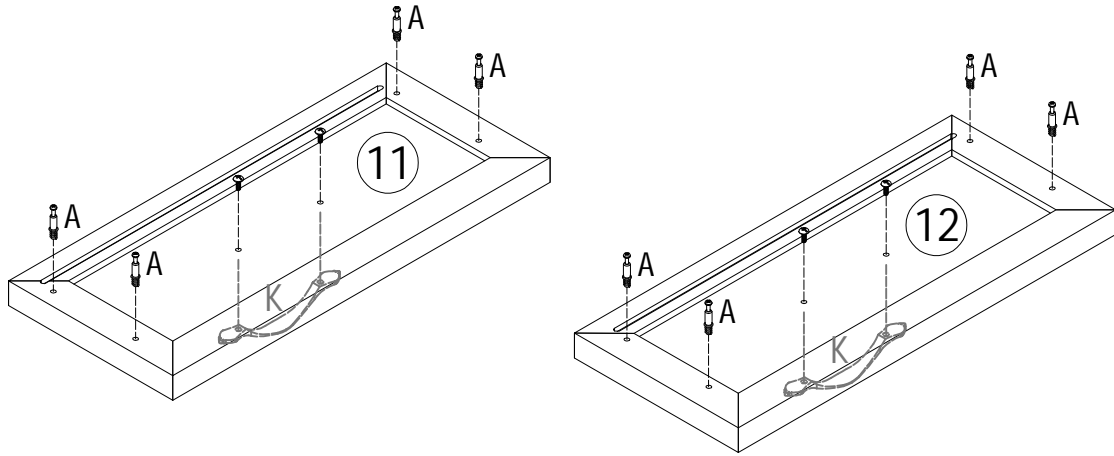


WARNING

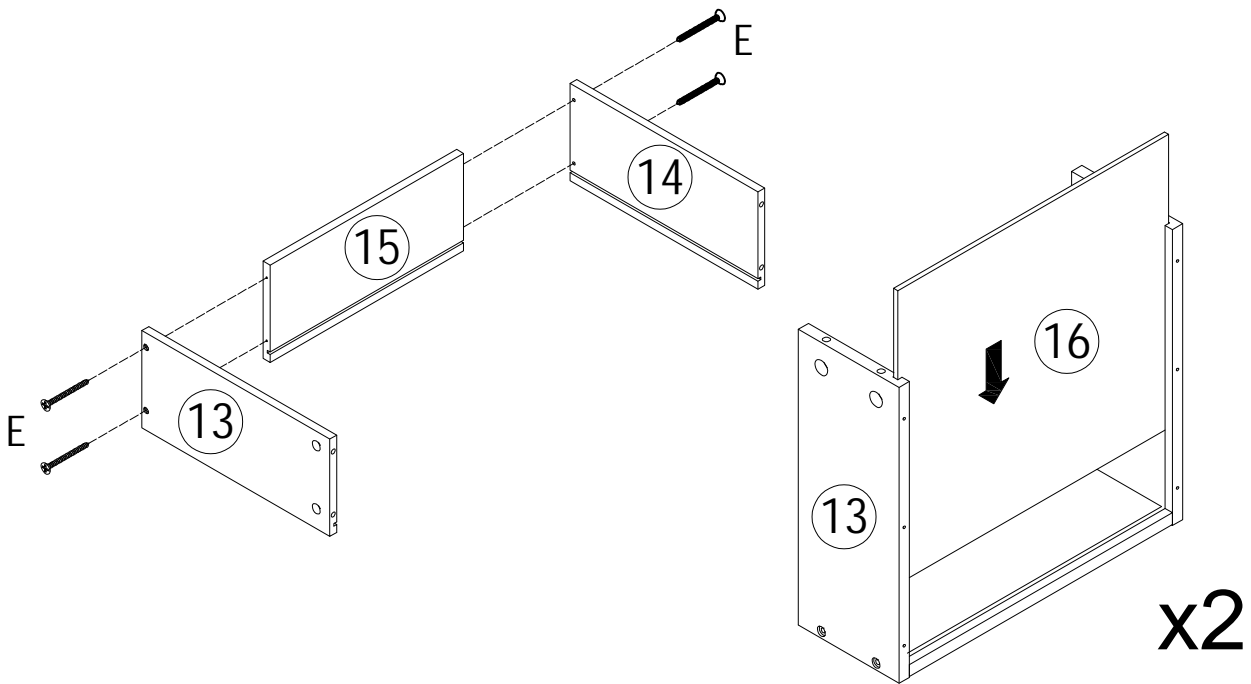
Serious or fatal injuries can occur from furniture tipping over. To prevent the furniture from tipping over we recommend that it is permanently fixed to the wall. Wall anchor and hardware are included with this product. Please make sure hardware is suitable for your walls before installing, as different wall materials may require different types of anchors.



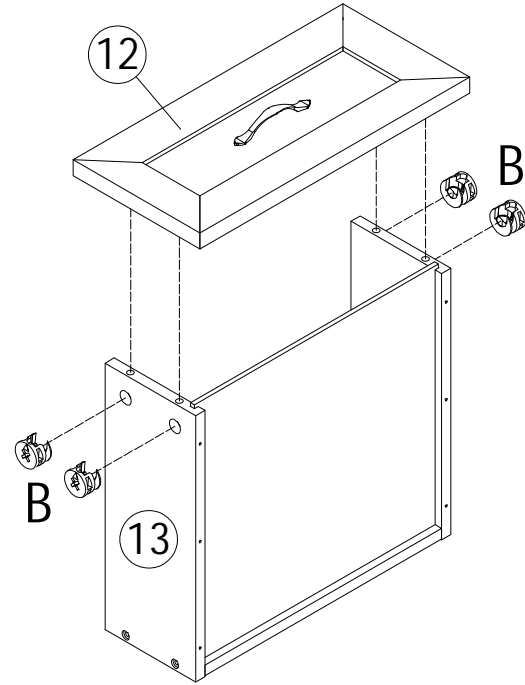
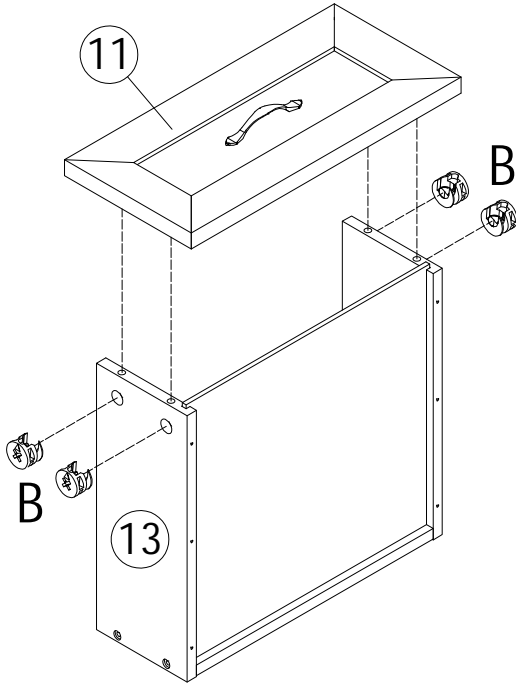
Step 22



Step 23

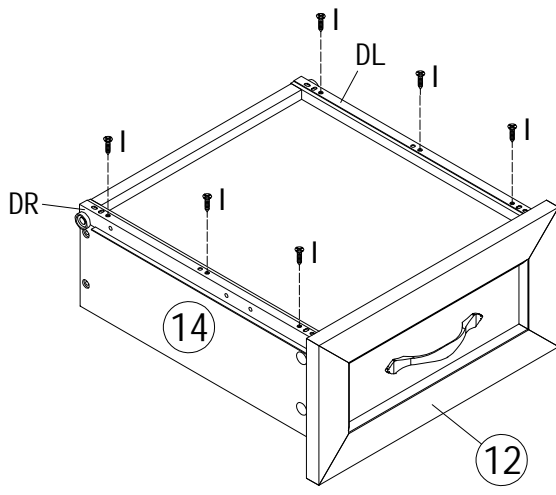
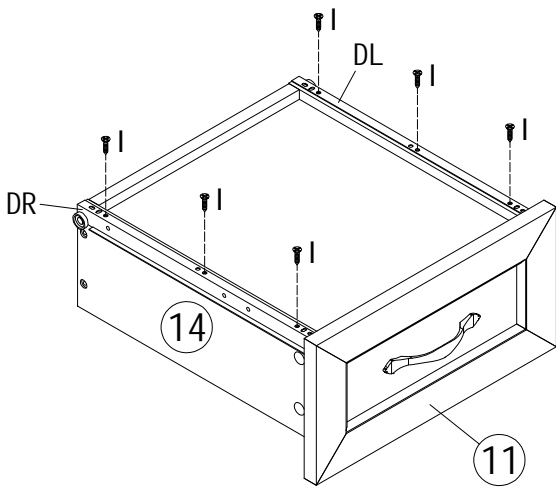



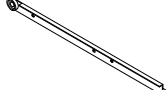
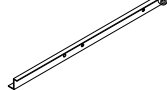
Step 24



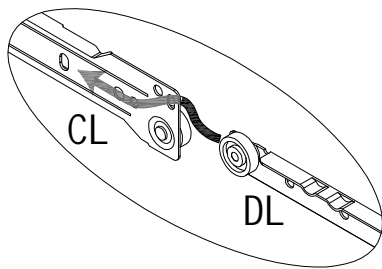
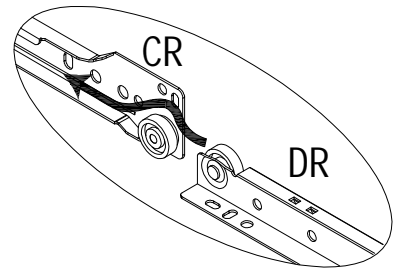
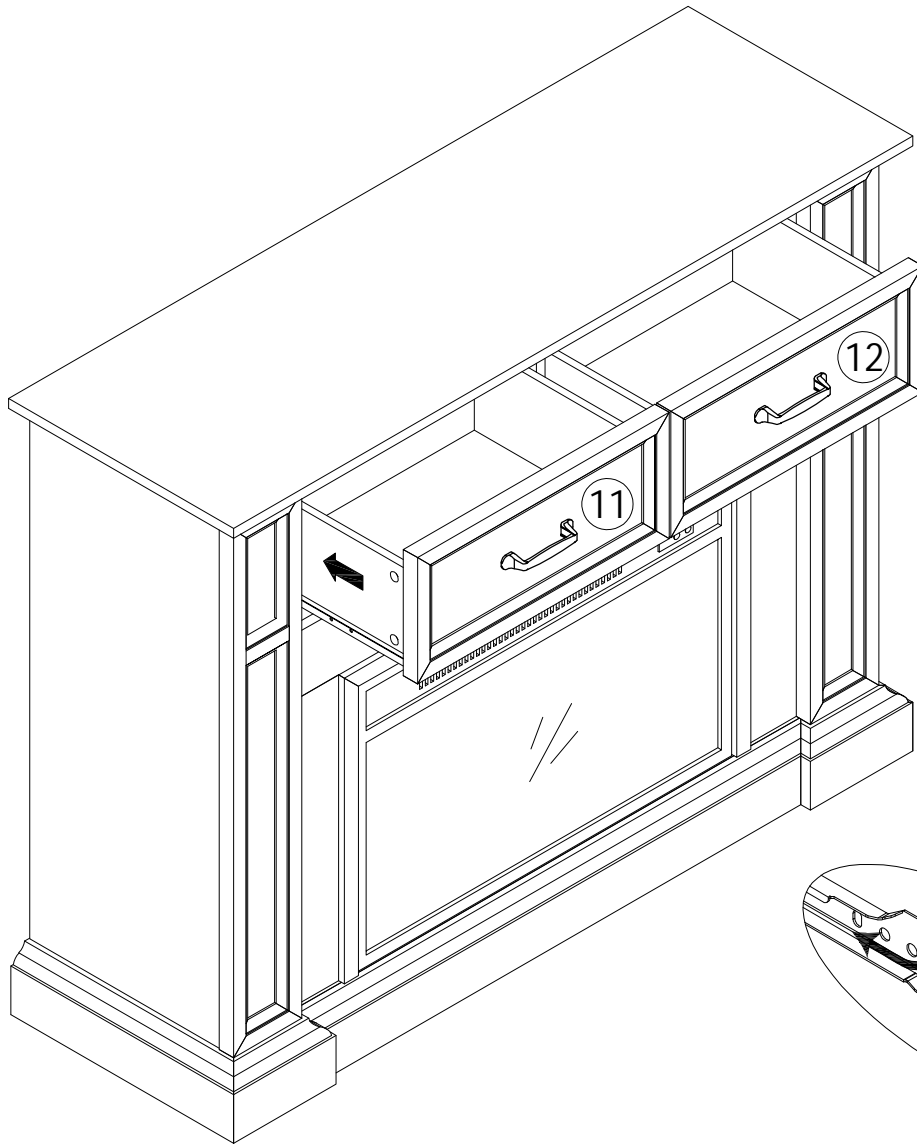
B  x8

Step 25



I  x12 DL  x2 DR  x2

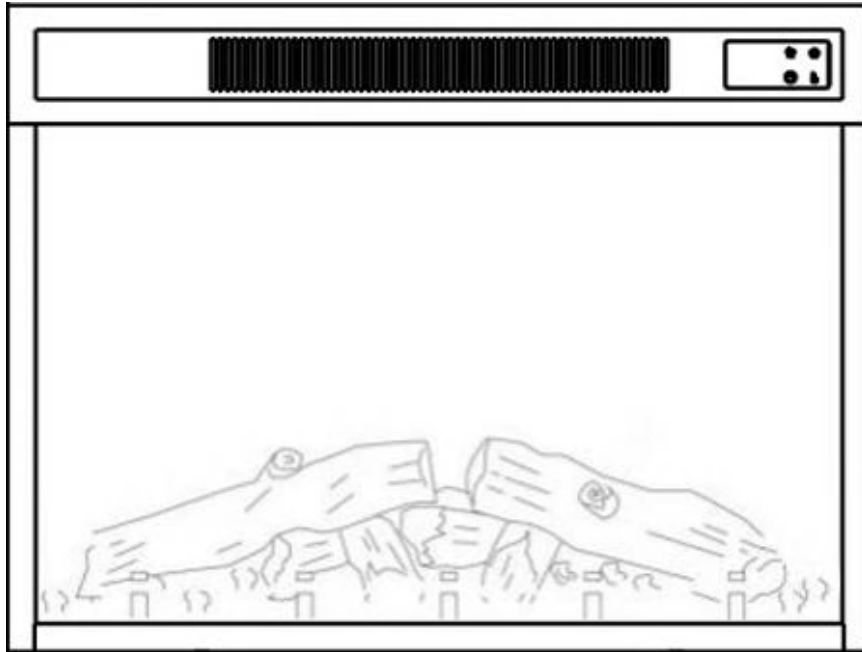
Step 26



ELECTRIC FIREPLACE

HOMEOWNERS OPERATING MANUAL

Figure: The object is the main object.



CONSUMER SAFETY INFORMATION:

Please read this manual before installing and operating this appliance. Failure to follow these instructions may result in electric shock, fire hazard or injury and will void the warranty.

WARNING:

If the information in this manual is not followed, electrical shock or fire may result in property damage, personal injury, or loss of life.

This instruction manual contains important safety information. Please read and save it for future reference.

IMPORTANT INSTRUCTIONS

When using electrical appliances, basic precautions should always be followed to reduce the risk of fire, electrical shock, and/or injury including the following:

1. Read all instructions before using this heater.
2. This heater is hot when in use. To avoid burns, do not let bare skin touch hot surfaces. If provided, use handles when moving this heater.
DANGER: High temperature may be generated under certain abnormal conditions. Do not partially or fully cover or obstruct the front of the heater.
WARNING: In order to avoid overheating, do not cover the heater. It cannot be used in a closet.
3. CAUTION: The appliance should not be used by children or persons with reduced physical, sensory or mental capabilities.
4. Children should be advised not to play with the appliance.
5. Always unplug this appliance when not in use.
6. Do not operate any heater with a damaged cord or plug or after the appliance malfunctions, or if it has been dropped or damaged in any manner.
7. If the supply cord is damaged, it must be replaced by the manufacturer, its service agent or similarly qualified persons in order to avoid a hazard.
8. Any repairs to this fireplace should be carried out by a qualified service person.
9. Under no circumstances should this fireplace be modified. Parts having to be removed for servicing must be replaced prior to operating this fireplace again.
10. Do not use outdoors.
11. This heater is not intended for use in bathrooms, laundry areas and similar indoor locations. Never locate this appliance where it may fall into a bathtub or other water container.
12. Do not run cord under carpeting. Do not cover cord with throw rugs, runners or the like. Arrange cord away from traffic areas and where it will not be tripped over.
13. To disconnect this appliance, turn controls to the off position, then remove plug from outlet.
14. Connect to properly grounded outlet only.
15. This appliance, when installed, must be electrically grounded in accordance with local codes or, in the absence of local codes, with the current CSA C22.2 Canadian Electrical Code or for USA installations, follow local codes and the National Electrical Code, ANSI/NFPA NO.70.
16. There is a protective thermostat limiter inside the heater. When the inner temperature overheats, the thermostat limiter will shut off the power supply to avoid the risk of fire damage to the appliance.
17. The heaters must not be located immediately below a socket-outlet.
18. Do not insert or allow foreign objects to enter any ventilation or exhaust opening as this may cause an electric shock or fire, or damage the appliance.
19. To prevent a possible fire, do not block air intake or exhaust in any manner. Do not use on soft surfaces, like beds, where openings may become blocked.
20. This appliance has hot and arcing or sparking parts inside. Do not use where gasoline, paint, or flammable liquids are used or stored. This fireplace should not be used as a drying rack for clothing. Christmas stockings or decorations should not be hung in area of it.
21. After the heater is installed, ensure adequate ventilation space behind the heater, and it is strictly prohibited to seal, as this may cause damage to the equipment or cause fire.
22. Use this appliance only as described in the manual. Any other use not recommended by the manufacturer may cause fire, electric shock or injury to persons.
23. Always plug heaters directly into a wall outlet/receptacle. Never use with an extension cord or relocatable power tap (outlet/power strip).

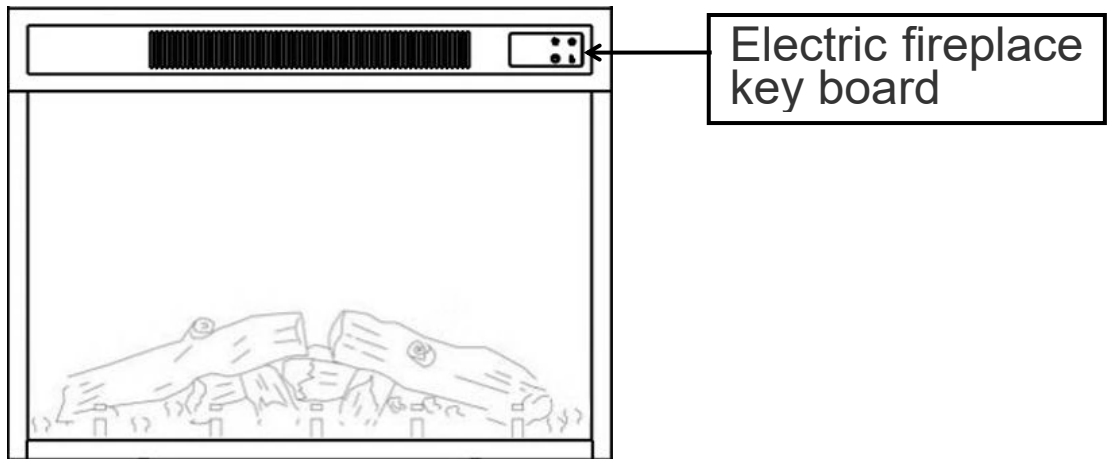
There are two ways to operate the electric fireplace:

* **Keyboard operation of electric fireplace.**

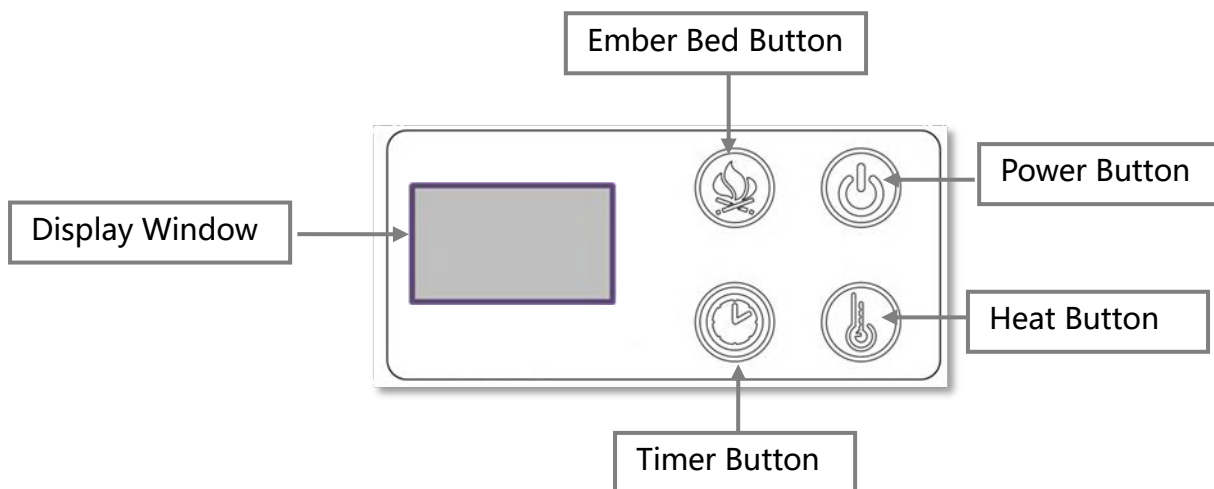
* **Remote control operation.**

The keyboard is above or below the right of the electric fireplace. (See Figure 1) .

Figure 1



***Keyboard operation of the electric fireplace.**








Technical Specification

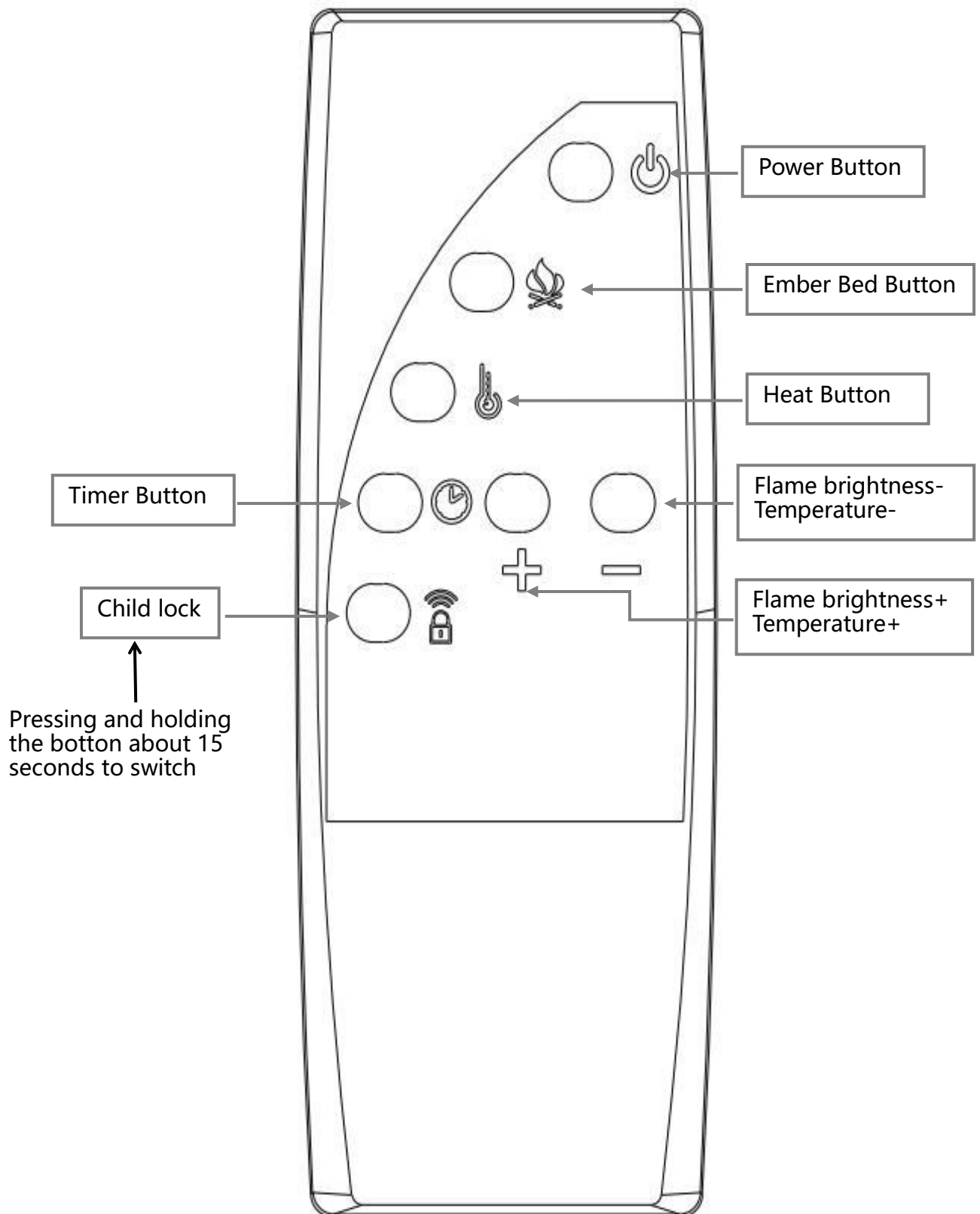
Product name: Electric fireplace







Supply: 110V AC 50Hz

Rated power: 1500W

	<p>Power on/off Button: Short press to turn the fireplace on or off.</p>
	<p>Flame Button: 1. There are C1-C7 color changes, and C7 is the first 6 colors of the loop</p>
	<p>Heating Button:</p> <p>1. Short press the heating button to turn on the heating function. The indicator light next to the heating button will turn red, and the display will show "ON". Press the heating button again to turn off the heating function, and the display will show "OFF".</p> <p>2. In the heating on state, long press the heating button for 2 seconds. The display will show "37", and then you can begin setting the temperature. The temperature can be set from 37-35-32-29-27-24-21-18-16-ON (10 levels of temperature setting), in a continuous loop.</p> <p>A. When the display shows "ON", the heating is not affected by the room temperature, and the heater will continue to work without automatically stopping.</p> <p>B. When any of the temperatures 37-35-32-29-27-24-21-18-16 is displayed. The heater will stop working, if the room temperature is greater than or equal to the displayed temperature,</p>
	<p>Timer Button:</p> <p>1. Short press the timer button to activate the timer function. The digital display will show "0H". Press the timer button again to set the timer. The setting range is from 1 hour to 9 hours, and the indicator light next to the timer button will turn red to indicate that the timer function is in progress.</p>
	<p>Digital Display: Displays the corresponding function.</p>

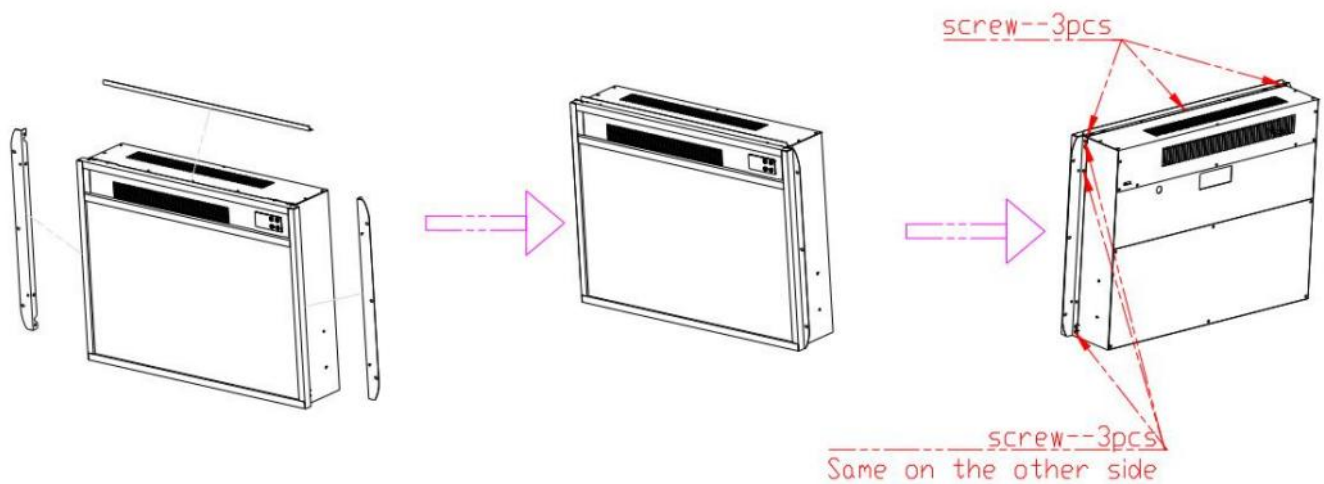
Remote control operation



BUTTON	FUNCTION
 POWER	Power on/off Button: Short press to turn the fireplace on or off.
 FLAME	Flame Button: 1.For a multi-color flame fireplace, a short press of the flame key adjusts the flame color. 2.13-color flame can be switched freely; Switch a flame color every time you press it.
 HEATE	Heating button: Short press the heating button to turn on the heating function. The indicator light next to the heating button will turn red, and the display will show "ON". Press the heating button again to turn off the heating function, and the display will show "OFF". In the heating on state, long press the heating button for 2 seconds. The display will show "37", and then you can begin setting the temperature. The temperature can be set from 37-35-32-29-27-24-21-18-16-ON (10 levels of temperature setting), in a continuous loop. When the display shows "ON", the heating is not affected by the room temperature, and the heater will continue to work without automatically stopping. When any of the temperatures 37-35-32-29-27-24-21-18-16 is displayed. The heater will stop working, if the room temperature is greater than or equal to the displayed temperature
 TIMER	Timer button: Short press the timer button to activate the timer function. The digital display will show "0H". You can then continue to short press the button to set the time. You also can use the +/- buttons to set the time.
 KeyLock	KeyLock Long press the lock button for 8 seconds to activate the "Lock function". The digital display shows "--", and except for the normal on/off function, all other functions cannot be operated. Press the lock button for 8 seconds again to deactivate the "Lock function," and all functions can be used normally.
 "+" "-" Keys	"+" and "-" Keys: When setting the flame brightness (press the flame button first), press the '+' or '-' key to adjust the flame brightness. When setting the timer function (press the timer button first), press the '+' or '-' key to adjust the timer setting.

Assembly manual

- Take the edge out and screw it in place, See Fig.



DO NOT mix old and new batteries.

DO NOT use rechargeable silver oxide cell batteries with remote control unit.

DO NOT mix alkaline. Standard (Carbon-zinc). Or rechargeable (Nickle - Cadmium) batteries.

DO NOT dispose of batteries in fire. Improper disposal may cause batteries to leak or explode.

MADE IN CHINA

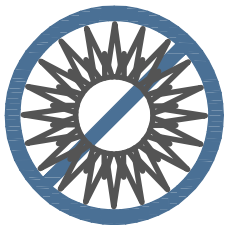
MAINTENANCE TIPS



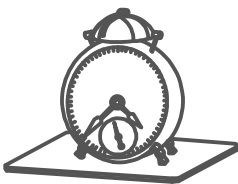
Never let liquids or damp cloths sit on this furniture.



Never use chemical cleaning products, as they can damage the finish. For cleaning, use only a slightly damp cloth and wipe dry.



To avoid dulling of the finish, do not place furniture in direct sunlight.



Do not put plastic or rubber rings under appliances. Use cloth or felt protectors.



To clean, use a soft or slightly damp cloth, then wipe with a clean, dry cloth.

FURNITURE CARE AND MAINTENANCE

Medium-Density Fiberboard

Thank you for your purchase. We want your item to last as long as possible. To ensure that the product serves you well for years, please refer to this care and maintenance guide.



MAINTENANCE

- Tighten all bolts and screws again within the first 2 weeks of assembly.
- Check the tightness of all bolts every 2 months, tighten them if necessary.



CLEANING

- Clean the surface of the MDF (medium -density fiberboard) with a lightly dampened cloth.
- Small amount of mild soap can be used if necessary.
- Dry the surface immediately after cleaning.

⚠ DO NOT use bleach or alcohol detergent to clean the surface.

⚠ DO NOT apply wood treatment on parts made with MDF.

Medium-density fiberboard will swell and distort when subjected to water damage. Make sure to dry the furniture immediately after cleaning

⚠ WARNING

The manufacturer and seller expressly disclaim any and all liability for personal injury, property damage, or losses, whether direct, indirect, or incidental, resulting from the incorrect attachment, improper use, inadequate maintenance, unauthorized modification, or neglect of this product.

Warranty

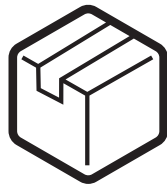
Our products come with 30 days warranty from the date of purchase. In any event that the product arrives damaged or missing parts, we are more than happy to provide you with replacement part(s). **Register your product on our website to enjoy extended warranty!!**

Easy Return

We work hard to make sure that order arrives safely and securely. But rest assured, we will take care of it if it is not up to standard. If you need replacement parts, please contact us, and we will send you replacements with no hassle



Contact Us



Replacement



You