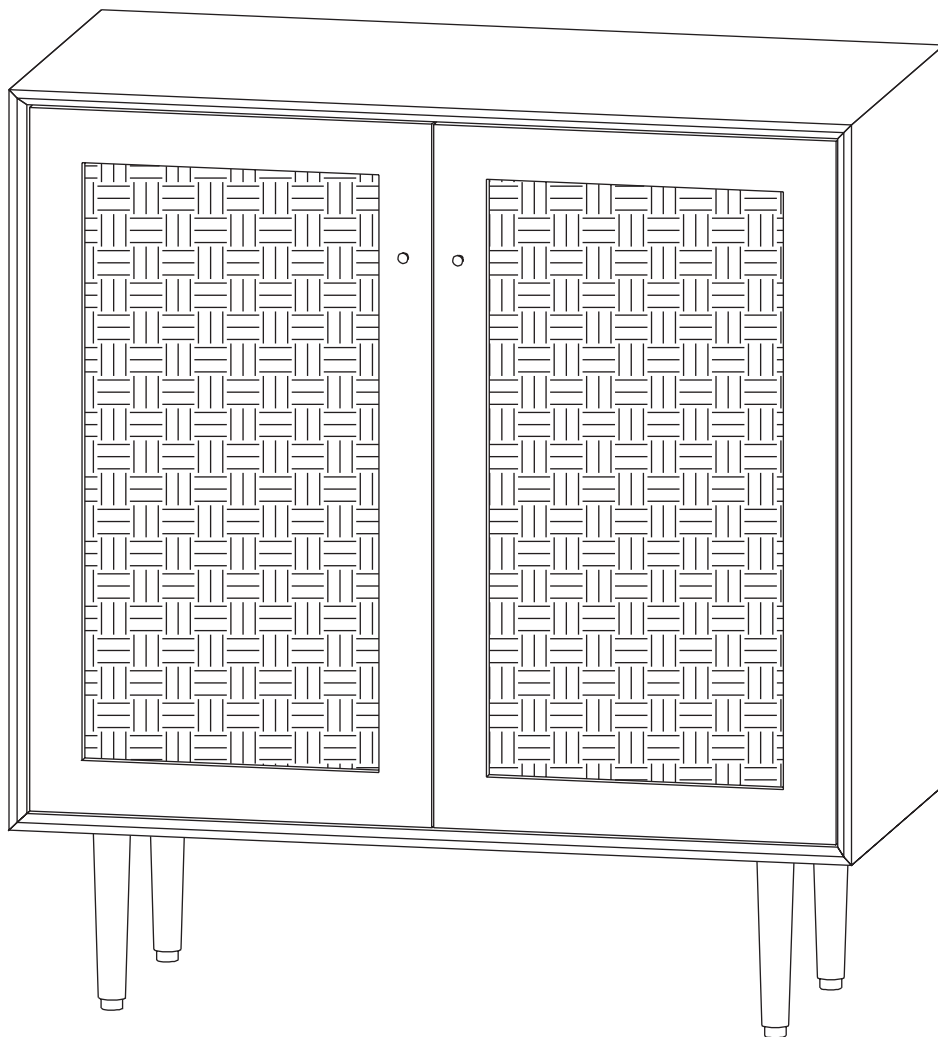
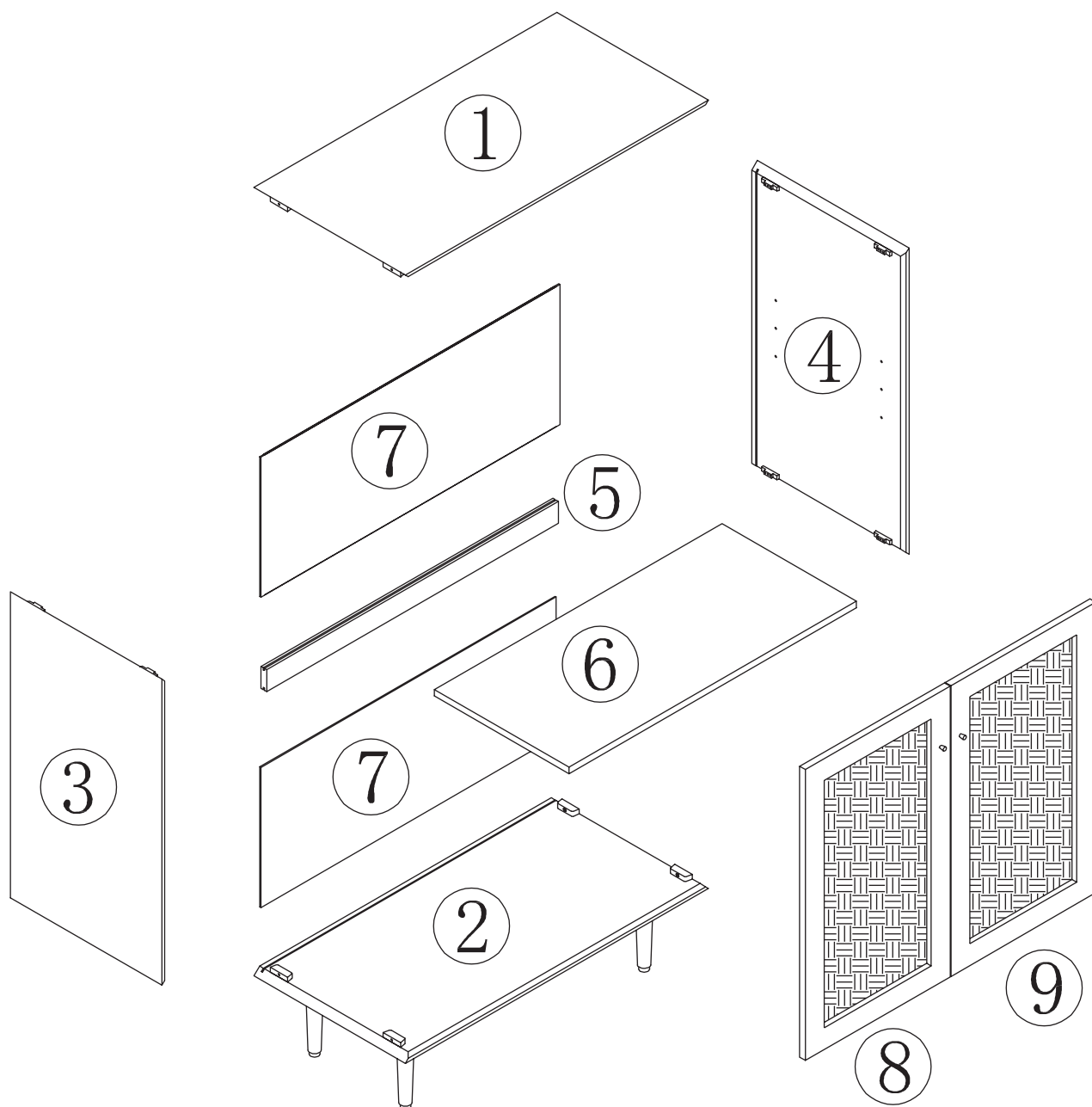


# RATTAN CABINET SQUARE DOORS



ASSEMBLY INSTRUCTIONS

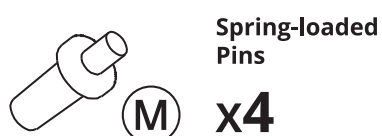
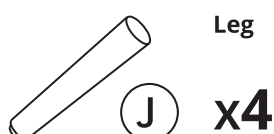
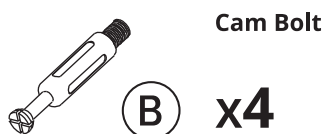
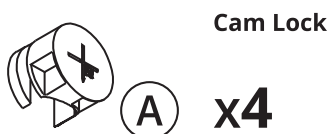
# Parts



## IMPORTANT

1. Do not tighten bolts/screws completely until all bolts/screws are lined up and inserted into holes.
2. Do not over-tighten screws and bolts to avoid stripping.
3. Please use hand tools to assemble this product. Do not use power tools.


# Hardware





Before discarding the packaging, please use the checklist to ensure you have all the parts required to assemble your product. Please kindly note you will need the original package if you want to return the product later.



If parts are missing or damaged, we will gladly ship your replacements parts free of charge.

  
**x2**

  
**60 mins**

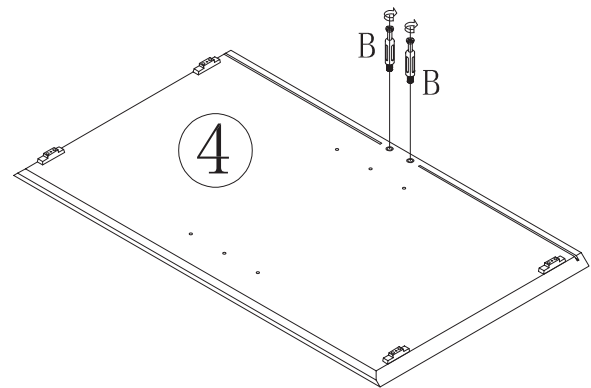
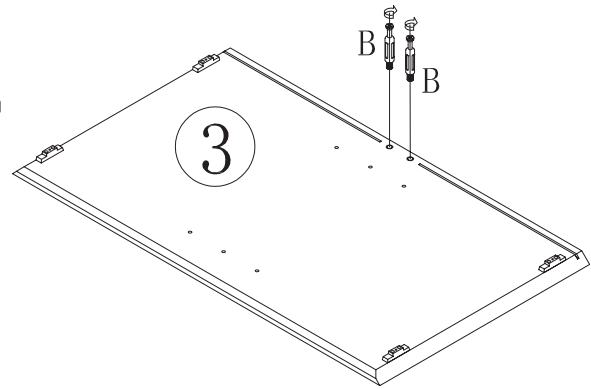
  
**x1**

# Step 1

Let's get this thing fired up! Lay down packaging carton or use carpet as a working surface.

Take out the Left Side Panel (3) and the Right Side Panel (4).

Srew two of Cam Bolts (B) into both the Left Side Panel (3) and Right Side Panel (4).



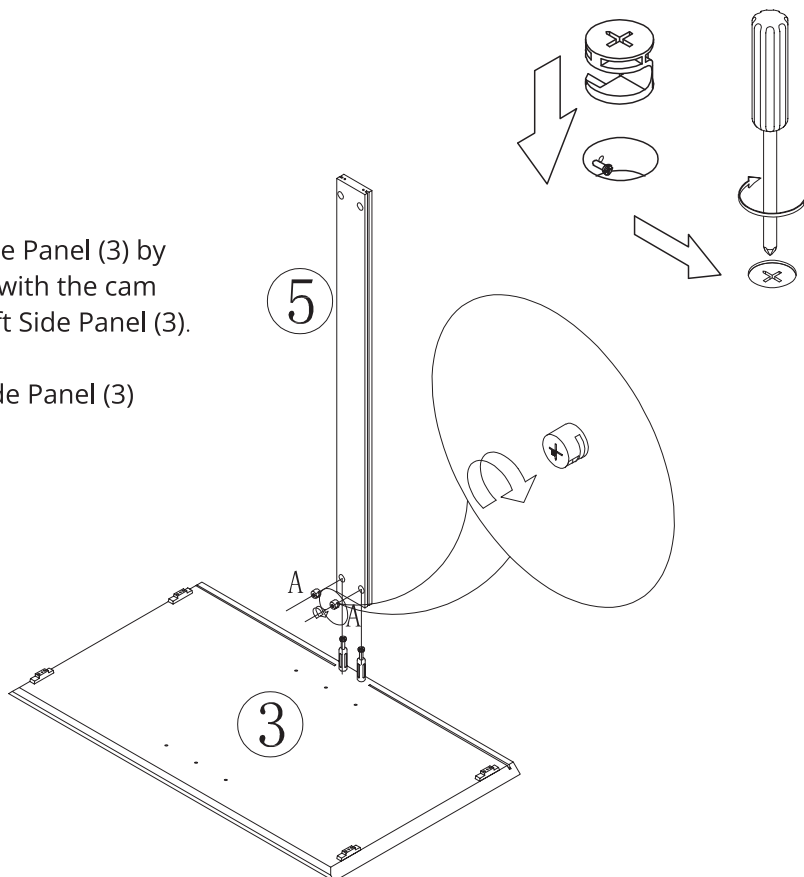
# Step 2

Take out the Stretcher (5).

Attach the Stretcher (5) to the Left Side Panel (3) by aligning the holes in the Stretcher (5) with the cam bolt you previously inserted in the Left Side Panel (3).

Secure the Stretcher (5) to the Left Side Panel (3) using Cam Locks (A).

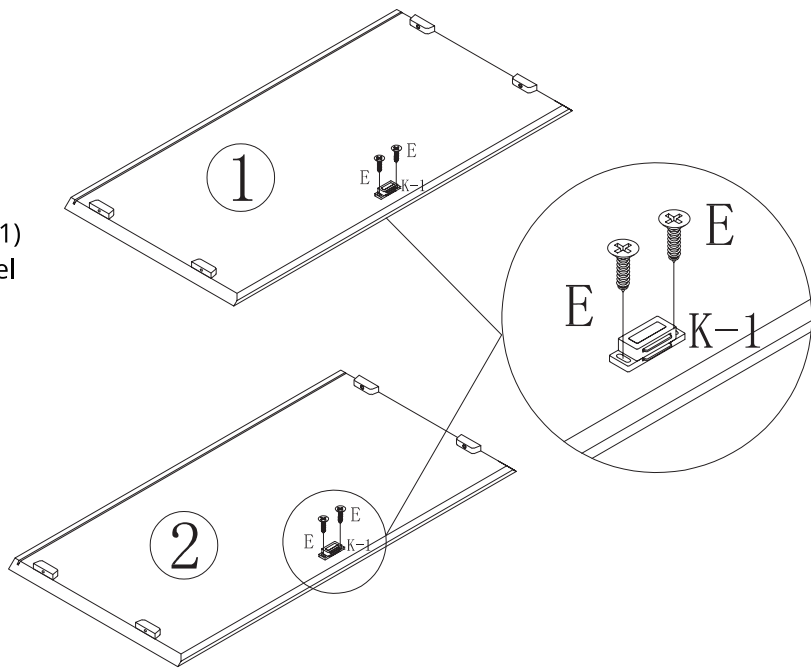
Please ensure correct orientation.



# Step 3

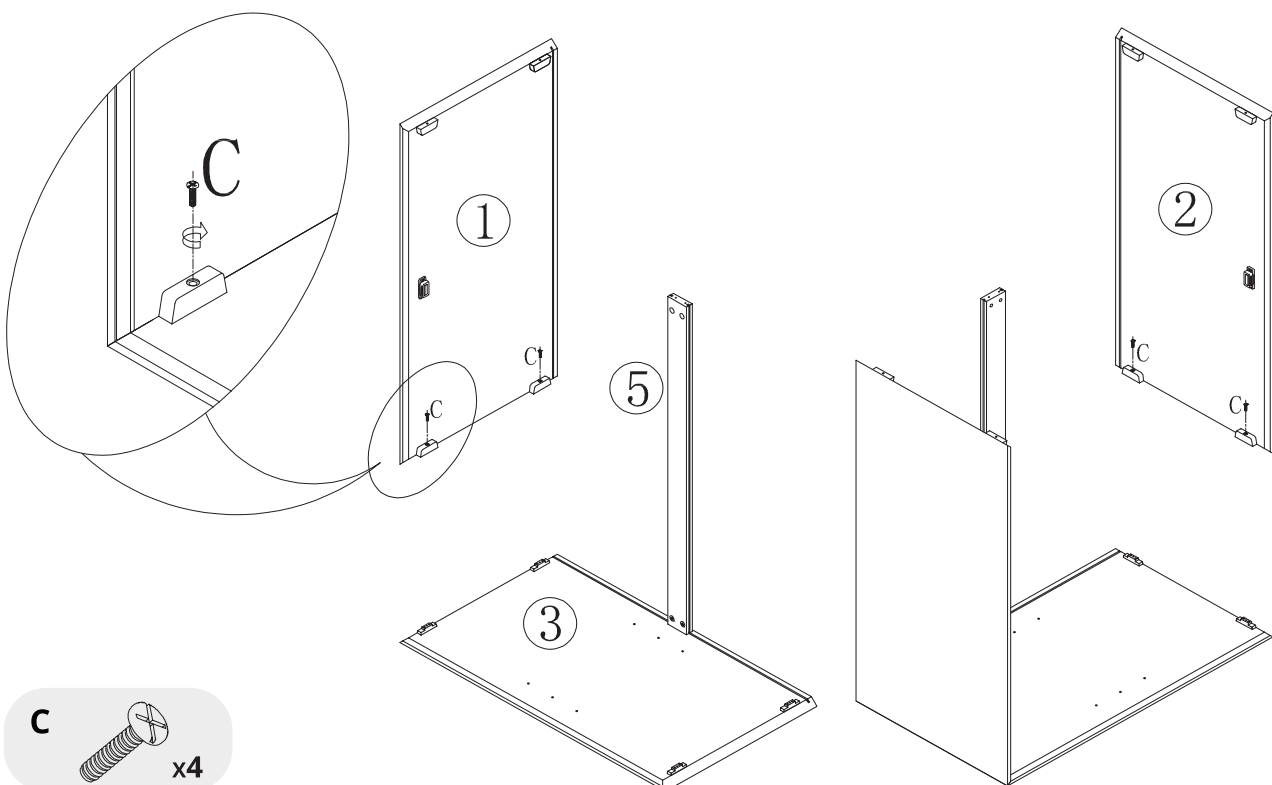
Take out the Top Panel (1) and the Bottom Panel (2).

Attach the Magnetic Door Catches (K1) to the Top Panel (1) and Bottom Panel (2) using the M3\*14mm Screws (E). You'll need two screws per catch.



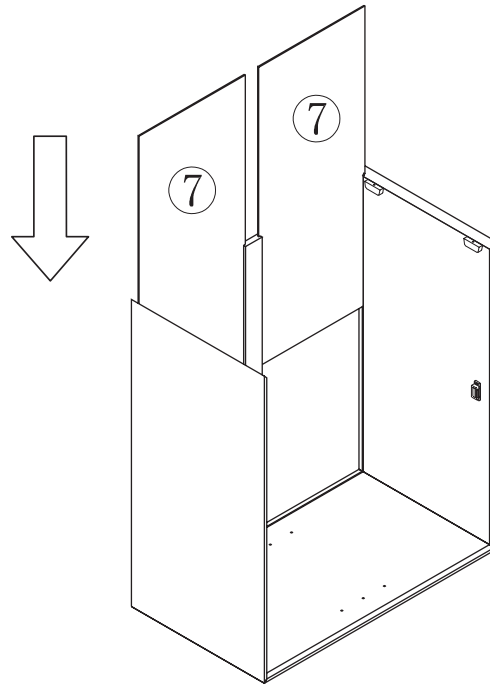
# Step 4

Attach the Top Panel (1) to the Left Side Panel (3) by aligning the pre-installed plastic mounting brackets. Secure using the M5\*16mm Screws (C). Same for the Bottom Panel (2).



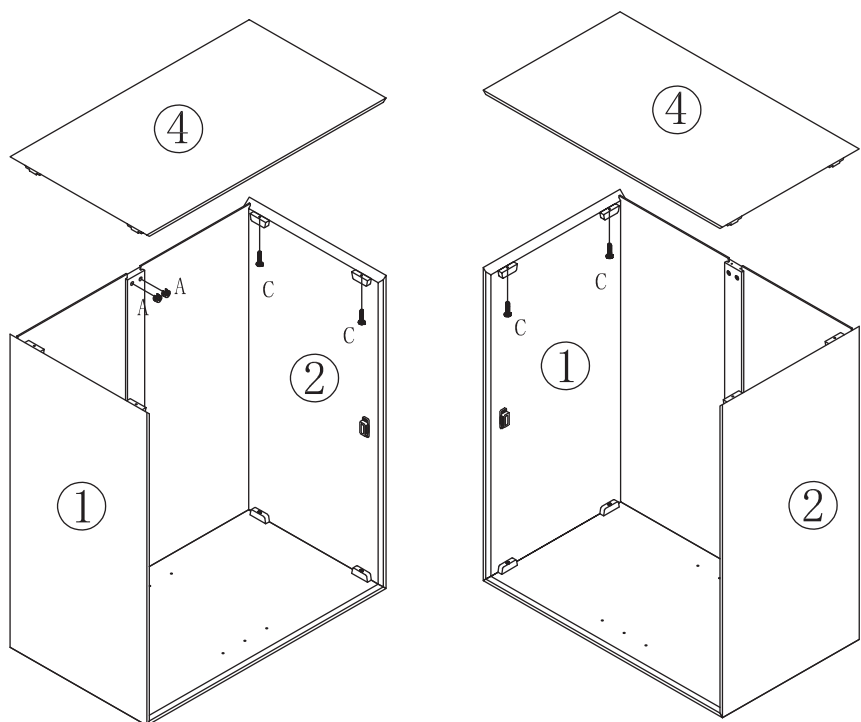
# Step 5

Now, carefully slide in the Back Panel (7).



# Step 6

Attach the Right Side Panel (4) to the assembled unit by aligning the pre-installed plastic mounting brackets and the cam bolt you previously inserted. Secure using Cam Locks (A) and the M5\*16mm Screws (C).

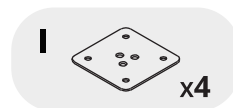
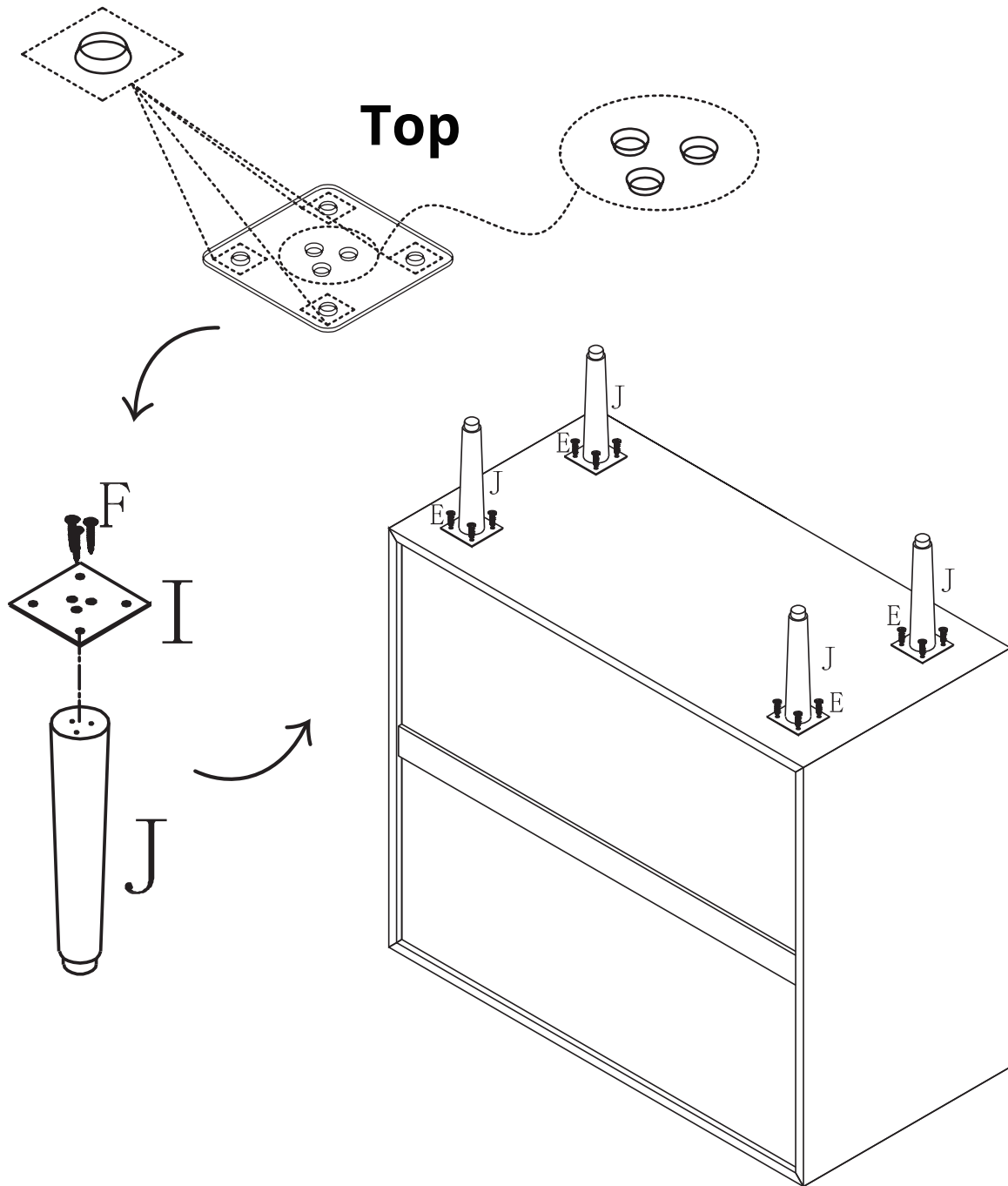


# Step 7

Now, carefully flip the cabinet upright.

First, install Leg Mounting Plates (I) onto Legs (J) with M3\*20mm Screws (F).

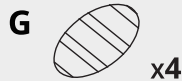
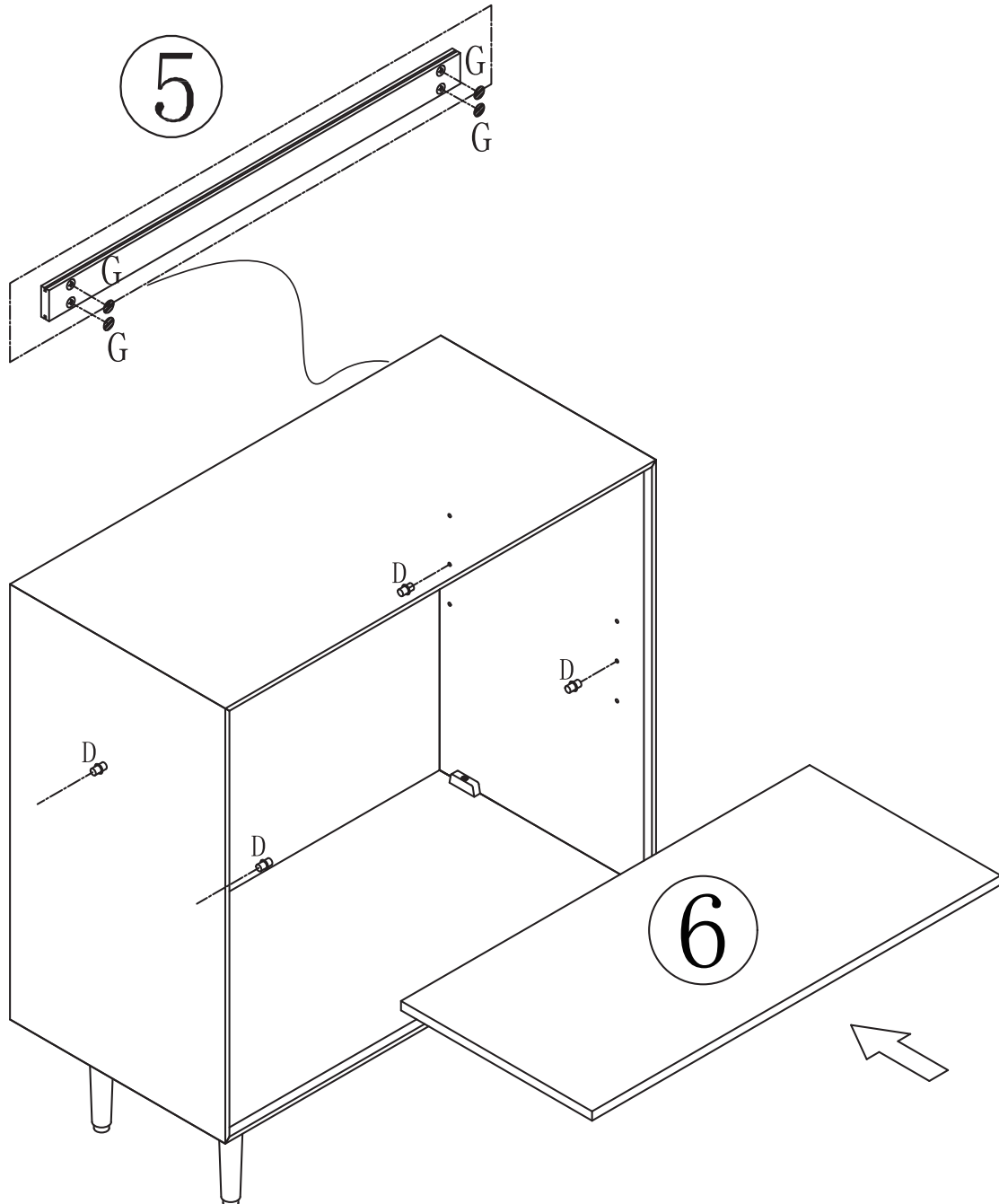
Next, attach assembled legs to the Bottom Panel (2) with M3\*14mm Screws (E).



# Step 8

Twist on the Shelf Pins (D) at your desired height and slide the Shelf (6) in the unit.

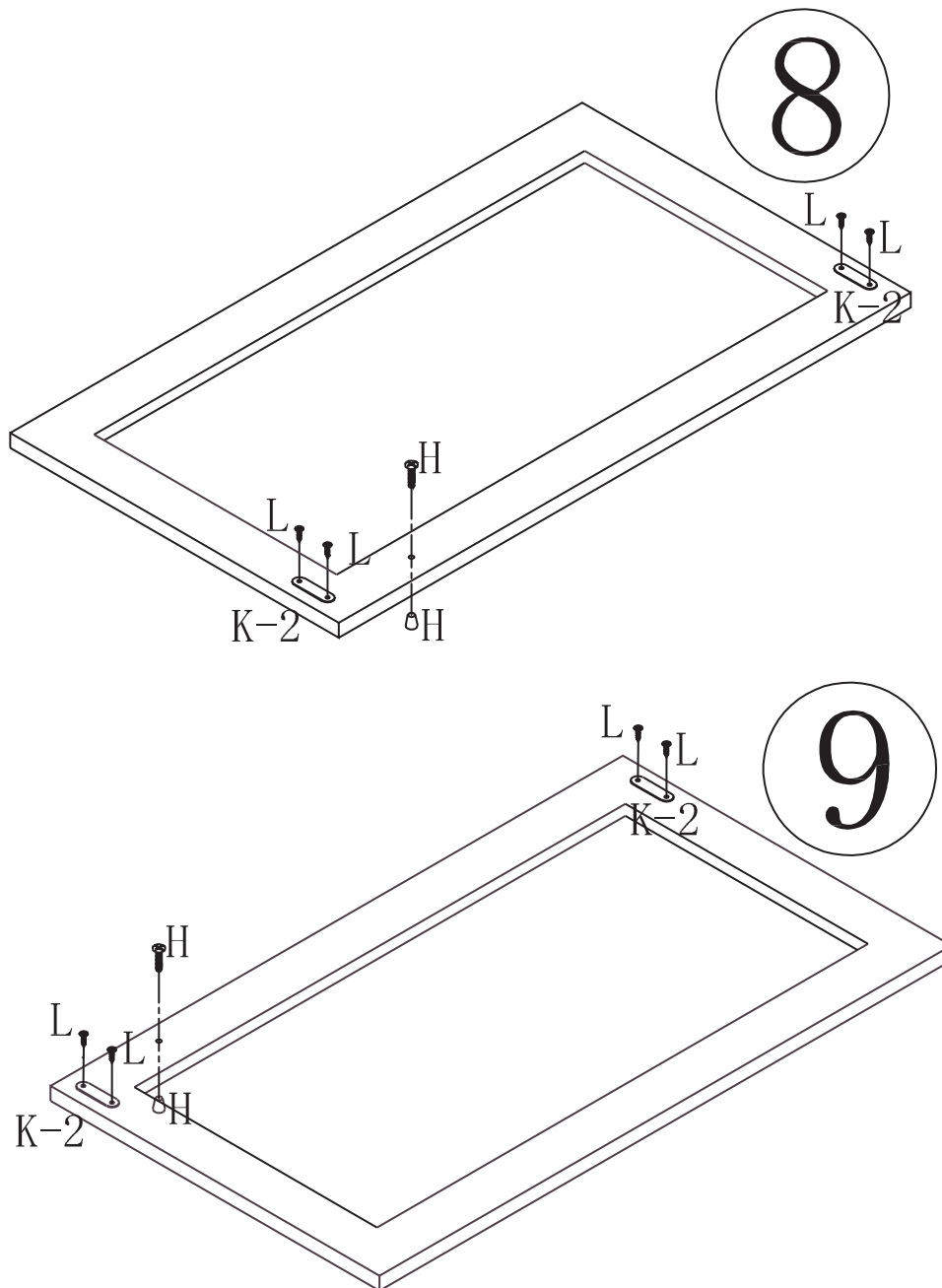
Plug in Screw Stickers (G) to hide the camlock.



# Step 9

First, attach Door Catch Plates (K2) to the top and bottom corners of the Left Door (8) and Right Door (9) using the M3\*16mm Screws (L).

Then, attach the Handles (H) to the doors using screws supplied with the handle.

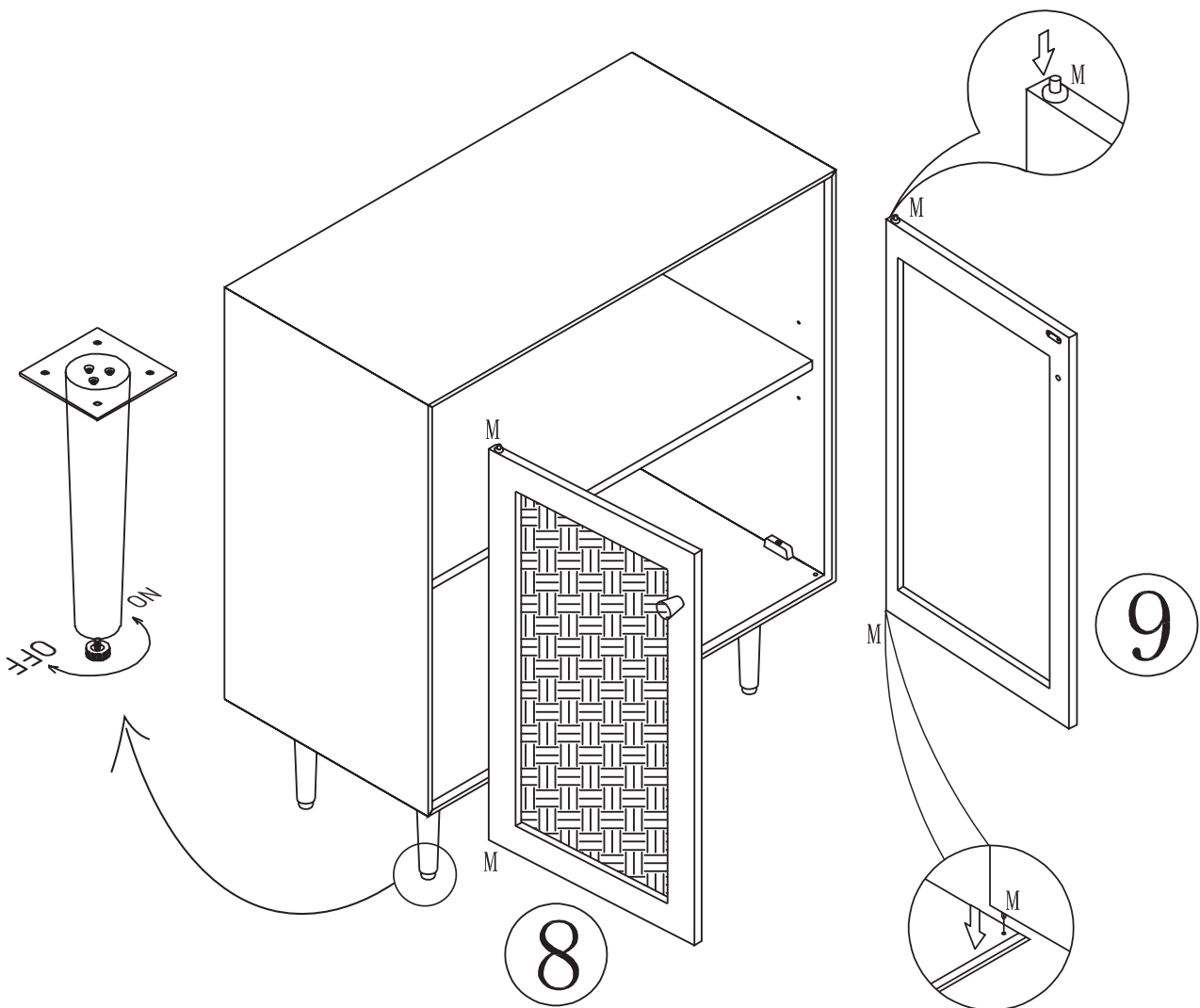


# Step 10

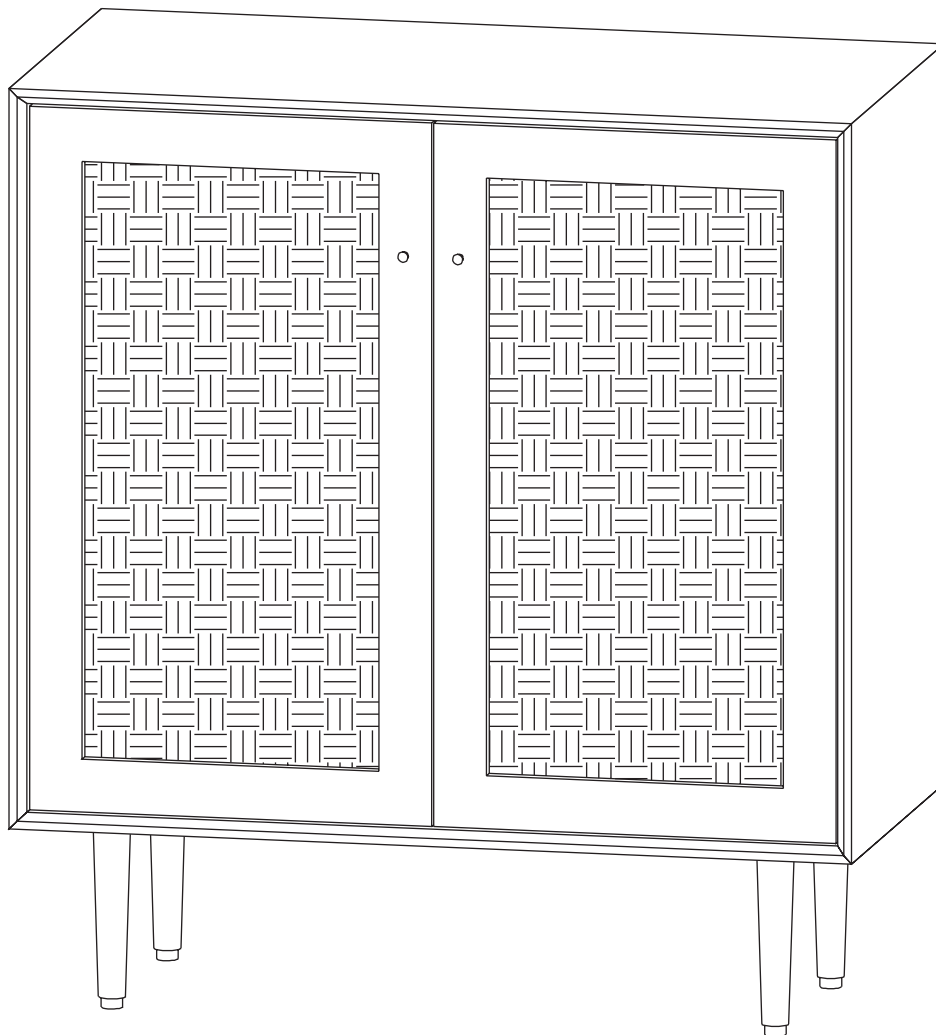
Plug in the Spring-loaded Pins (M) into holes of the Left Door (8) and Right Door (9).

Install 2 Doors onto the cabinet by popping the top of the Spring-loaded Pins.

In the event of imbalance, adjust the leveler on each leg accordingly.



# FINISHED!



## IMPORTANT

Move your cabinet carefully, with 2 people lifting it to the preferred location. Clean the product with a dry cloth. You are all set!

We want your Storage Unit to last as long as possible, so we recommend that you tighten the screws 2 weeks after assembly and for added safety check the tightness of all screws every 2 months.

# CARE

# INSTRUCTIONS

If treated with respect and love, your furniture will last you a long time. Each piece requires light maintenance to maximize its longevity.

## **Here are a few quick tips before using this product:**

- The recommended weight limit for the table top is 50 lbs and 26 lbs for each storage compartment.
- Avoid uneven weight distribution for a long time as it may cause damage to the product's shape.
- The swing door may not swing smoothly when the table is overloaded by weight.
- Check and tighten the camlock and screw periodically, as it may lose over time.

## **How to take care of it?**

- Avoid direct sunlight or use curtains or blinds to limit sun exposure to the product.
- Clean the product regularly with a dry, soft cloth.
- Avoid using the abrasive or liquid cleanser.
- Spillage may damage the surface. Clean immediately with a dry cloth.
- We recommend using placemats or coasters underneath glasses, cups, bowls, or plates to prevent scratches to the table surface.

Follow the care instructions and look after your furniture, in return, your furniture will look after you.