

Features

- Clean lines and streamlined style add contemporary appeal to any bathroom.
- 16-1/2" apron height for easy entry and exit.
- Standard size simplifies installation in remodels.
- Safeguard® slip-resistant surface on bath floor provides additional traction underfoot.
- Wide ledges for extra storage space.

Material

- KOHLER® enameled cast iron.

Installation

- Right drain.
- Alcove.

Recommended Products/Accessories

- K-23726 Drain treatment
- K-23725 Cast iron cleaner



ADA

Codes/Standards

ASME A112.19.1/CSA B45.2
ASTM F462
ADA
ICC/ANSI A117.1






KOHLER® Enameled Cast Iron Bath and Shower Base Lifetime Limited Warranty

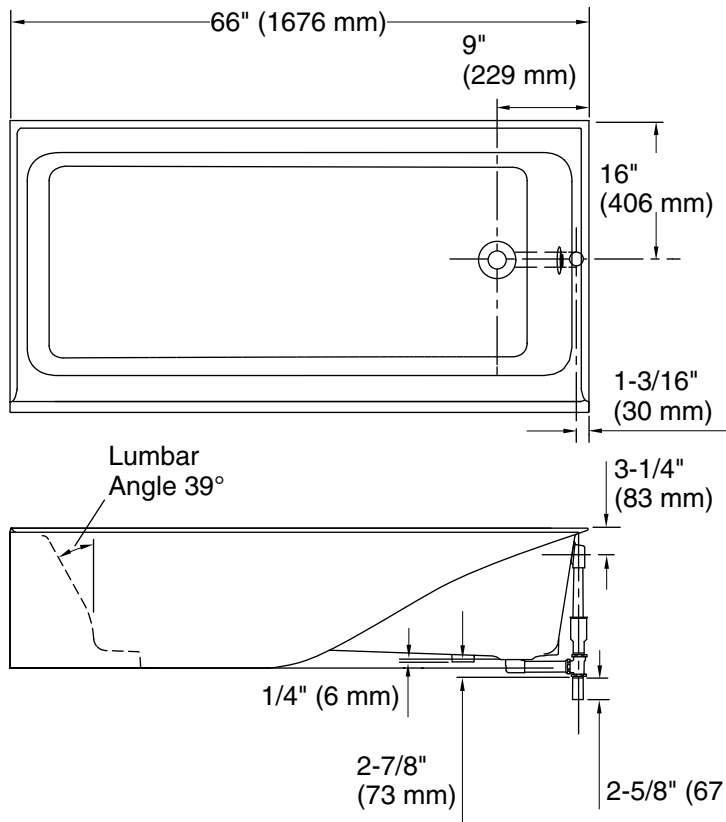
See website for detailed warranty information.

Available Colors/Finishes

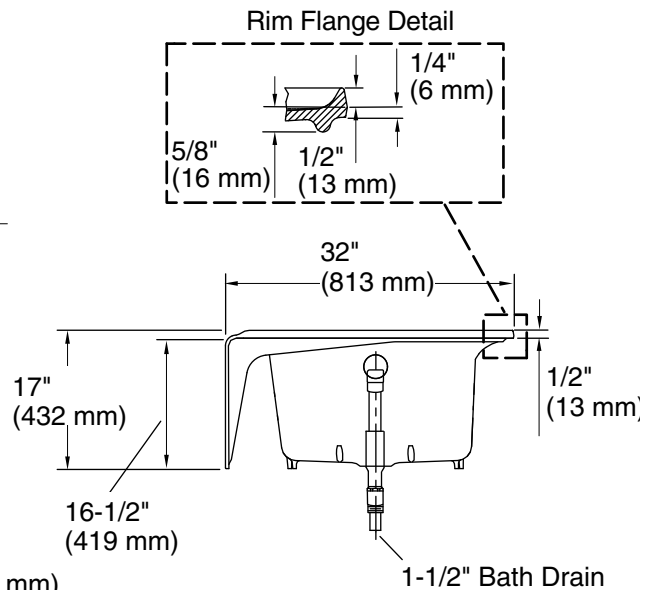
Color tiles intended for reference only.

Color	Code	Description
-------	------	-------------

	0	White
	96	Biscuit
	47	Almond
	NY	Dune
	G9	Sandbar



No change in measurement if connected with drain illustrated. (K-7259)



Technical Information

All product dimensions are nominal.

Installation:	Three-wall alcove
Drain location:	Right
Basin area, bottom:	50-3/4" x 20-5/16" (1289 mm x 516 mm)
Basin area, top:	58-7/16" x 22-5/8" (1484 mm x 575 mm)
Weight:	400 lbs (181.4 kg)
Minimum floor load:	57 lbs/ft ² (278.3 kg/m ²)
Water depth:	11-11/16" (297 mm)
Water capacity:	49 gal (185.5 L)
Minimum flat for door:	2-1/2" (64 mm)

Notes

Measure your actual product for rough-in details.

Install this product according to the installation instructions.

The hot water supply should be 70% of the capacity of the bath or greater. Installations will vary.

ADA compliant when installed to the specific requirements of these regulations.