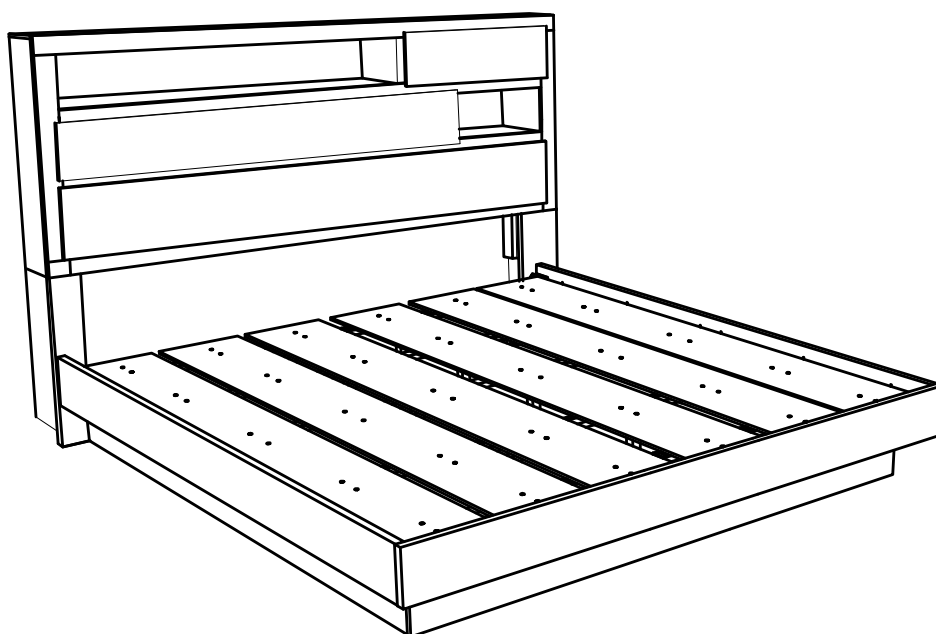


# ASSEMBLY INSTRUCTIONS



*Fine Furniture for every stage of life*

## Eastern King Bed

# ITEM:(B1-B3)

## ASSEMBLY INSTRUCTIONS

### ASSEMBLY TIPS:

1. Remove hardware from box and sort by size.
2. Please check to see that all hardware and parts are present prior to start of assembly.
3. Please follow attached instructions in the same sequence as numbered to assure fast & easy assembly.



### WARNING!

1. Don't attempt to repair or modify parts that are broken or defective. Please contact the store immediately.
2. This product is for home use only and not intended for commercial establishments.



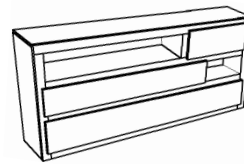
ASSEMBLY TIME

20 MINUTES

## PARTS IDENTIFICATION

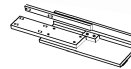
### B1 (BOX 1)

A STORAGE HEADBOARD



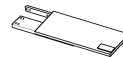
1PC

B LEFT HEADBOARD LEG



1PC

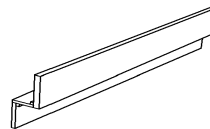
C RIGHT HEADBOARD LEG



1PC

### B2 (BOX 2)

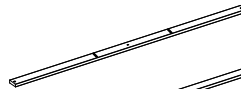
D FOOTBOARD



1PC

### B3 (BOX 3)

E BED SLAT WITH MARKING



2PCS

F BED SLAT WITHOUT MARKING



3PCS

G BED SLAT SUPPORT WITH LEVELER



10PCS

H BED RAIL



2PCS

I BED RAIL BASE PANEL



2PCS

J TRESTLE BAR



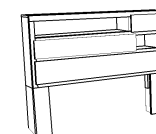
1PC

K CONCEAL PANEL



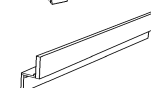
5PCS

HB (B1) FROM BOX 1  
HEADBOARD COMPLETE



1PC

D (B2) FROM BOX 2  
FOOTBOARD



1PC

# ITEM:(B1-B3)

## ASSEMBLY INSTRUCTIONS

### ASSEMBLY TIPS:

1. Remove hardware from box and sort by size.
2. Please check to see that all hardware and parts are present prior to start of assembly.
3. Please follow attached instructions in the same sequence as numbered to assure fast & easy assembly.

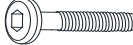





### WARNING!

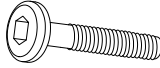




1. Don't attempt to repair or modify parts that are broken or defective. Please contact the store immediately.
2. This product is for home use only and not intended for commercial establishments.

## HARDWARE IDENTIFICATION

### Z-B1(BOX 1) - HARDWARE PACK IS LOCATED IN (B1)

1	<b>SHORT BOLT</b> (M6 x 30mm - BLK)		12PCS
2	<b>LOCK WASHER</b> (1/4" - BLK)		12PCS
3	<b>FLAT WASHER</b> (1/4" x 19mm - BLK)		12PCS
4	<b>SMALL ALLEN WRENCH</b> (M4 x 65mm - BLK)		1PC

### Z-B3(BOX 3) - HARDWARE PACK IS LOCATED IN (B3)

5	<b>LONG BOLT</b> (M6 x 50mm - BLK)		10PCS
6	<b>FLAT HEAD SCREW</b> (M4 x 32mm - BLK)		12PCS
7	<b>PAN HEAD SCREW</b> (M3.5x 20mm - BLK)		30PCS
8	<b>SMALL ALLEN WRENCH</b> (M4 x 65mm - BLK)		1PC
9	<b>BIG ALLEN WRENCH</b> (M5 x 65mm - BLK)		1PC

### NOTE:

Phillips head screw driver is required in the assembly process; however, manufacturer does not provide this item.

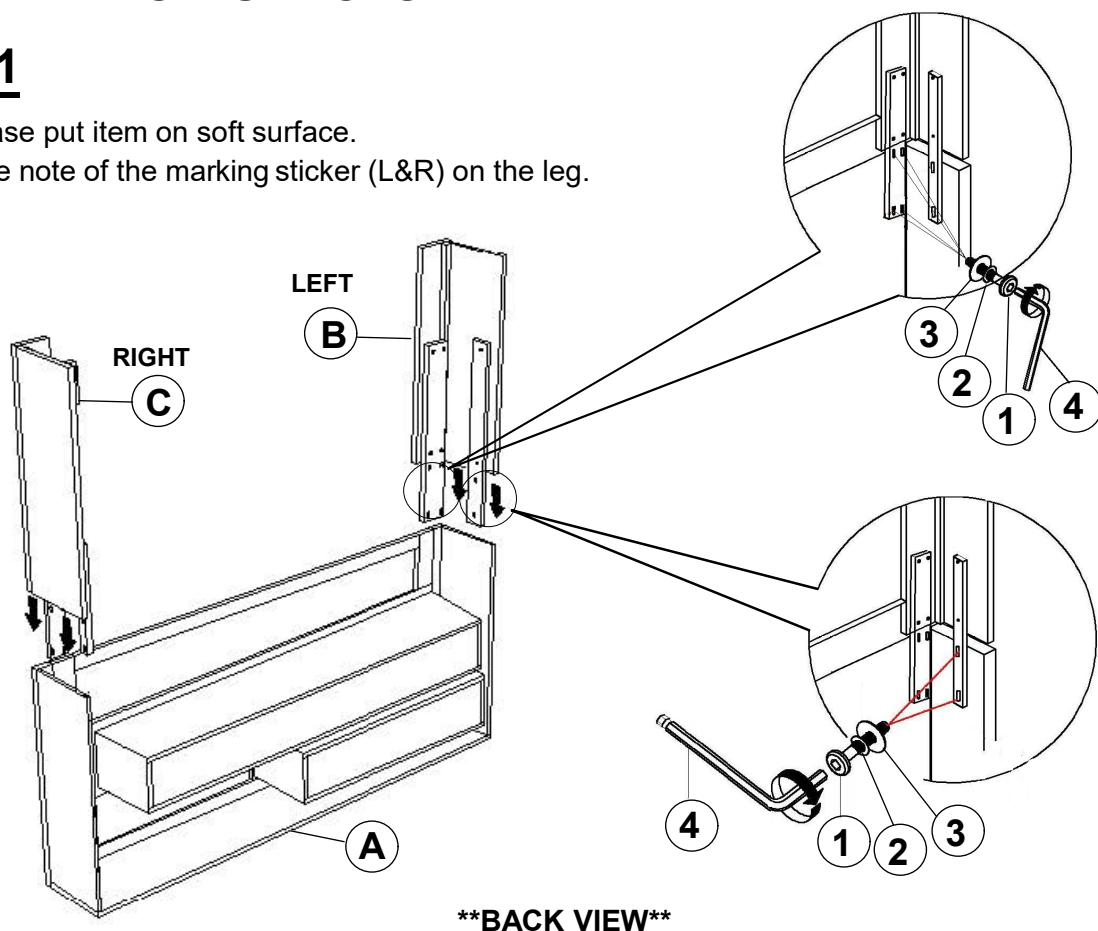
# ITEM:(B1-B3)

## ASSEMBLY INSTRUCTIONS

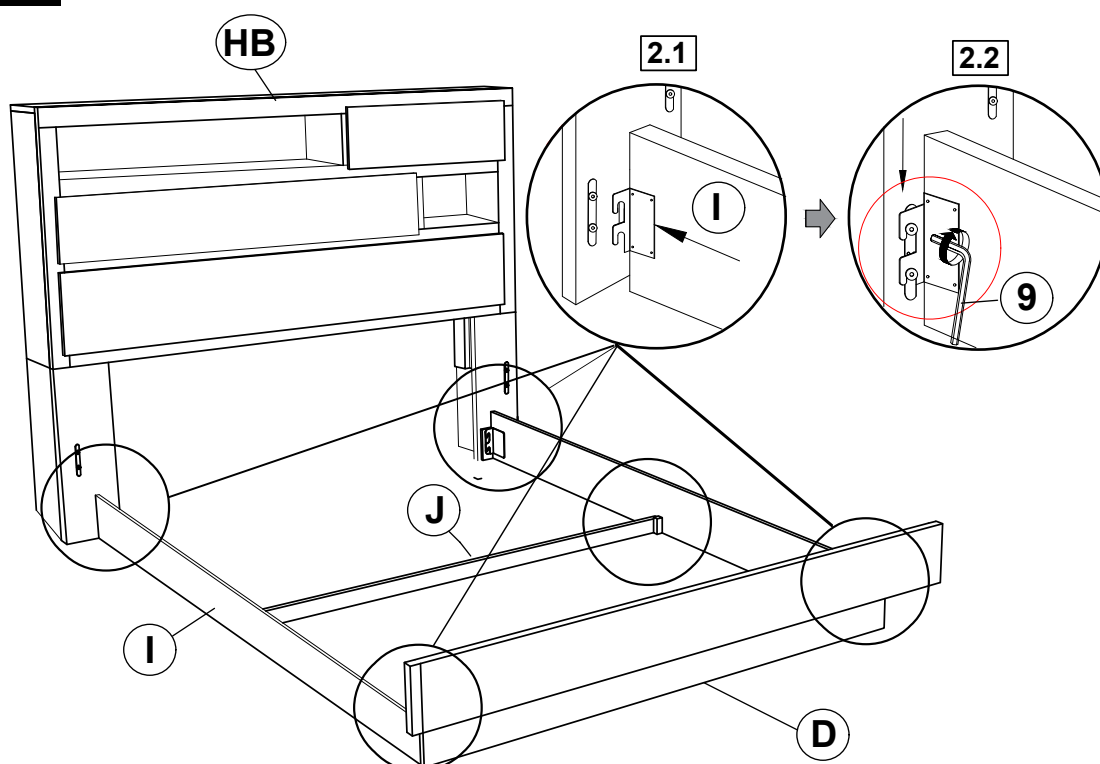
### STEP 1

Note : Please put item on soft surface.

Please take note of the marking sticker (L&R) on the leg.



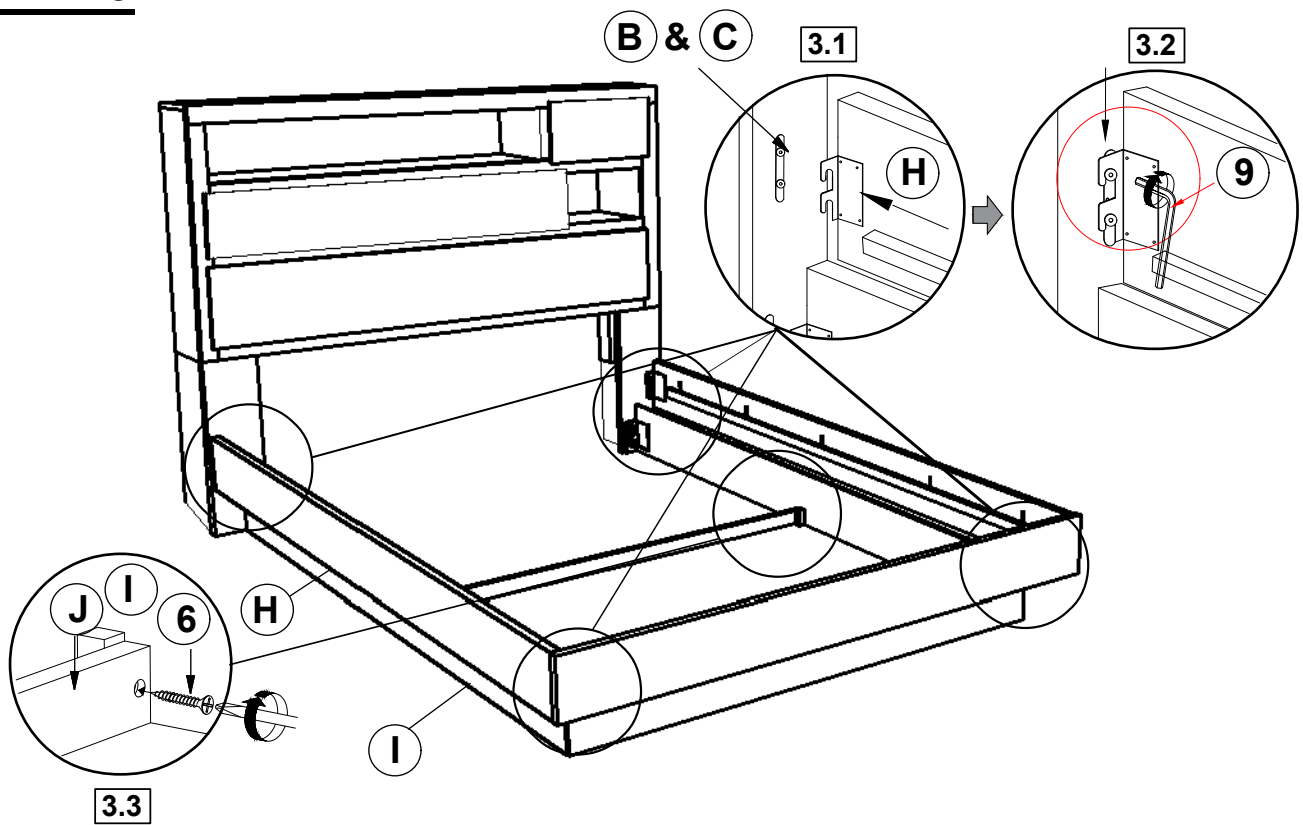
### STEP 2



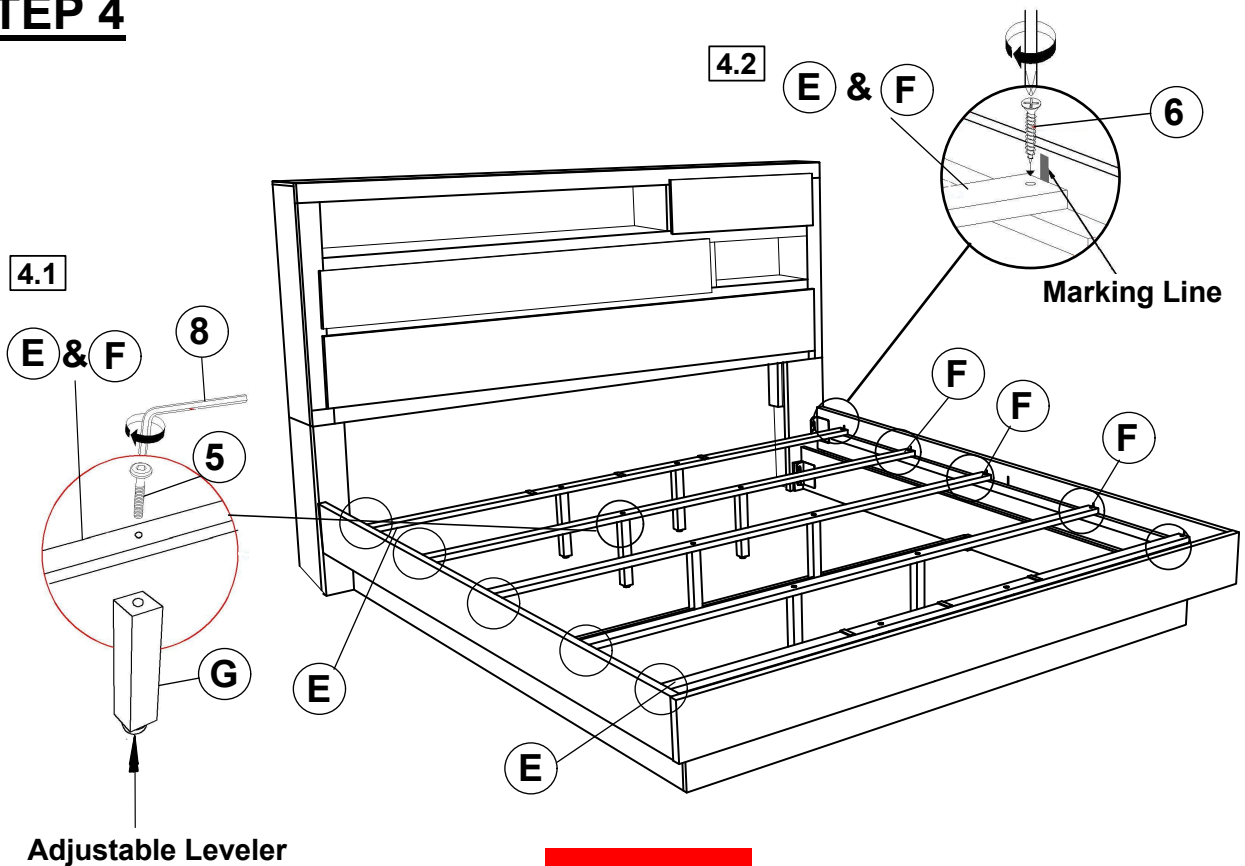
# ITEM: (B1-B3)

## ASSEMBLY INSTRUCTIONS

### STEP 3



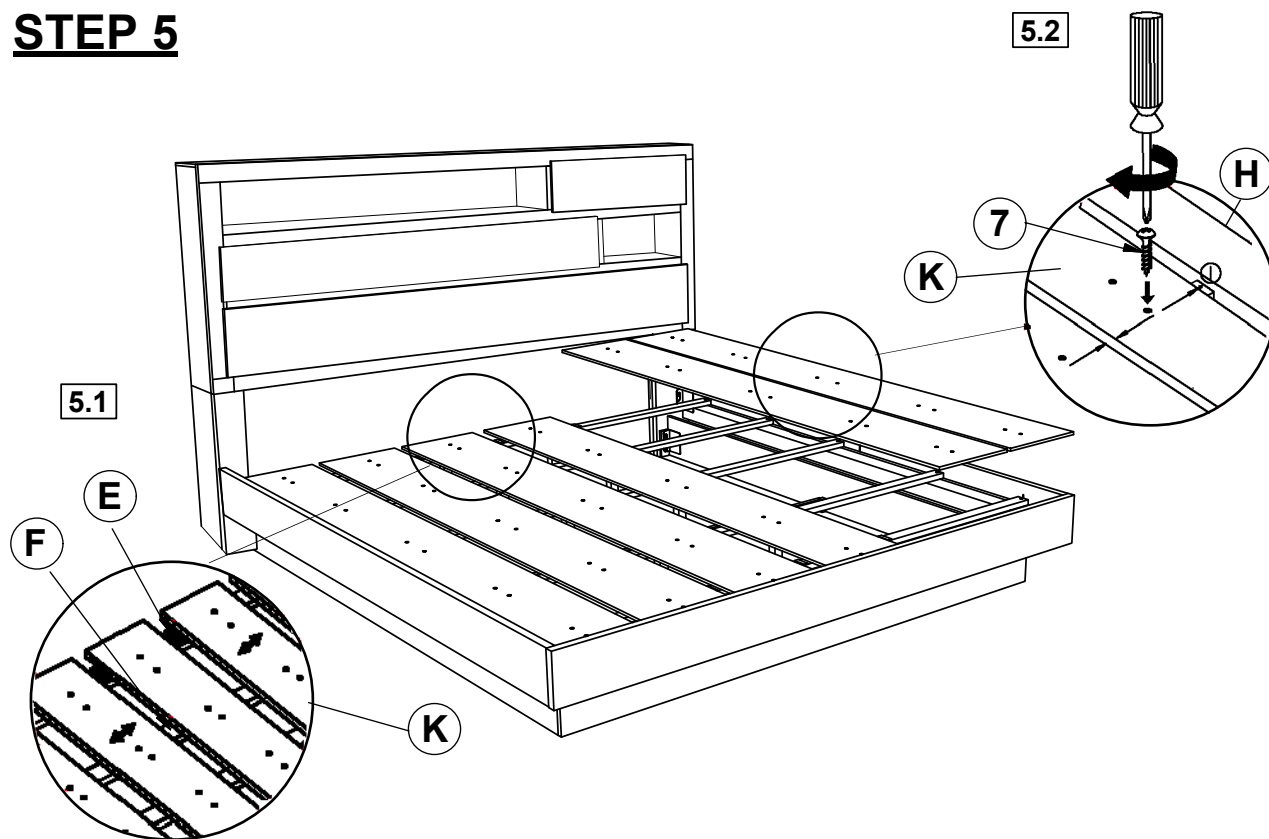
### STEP 4



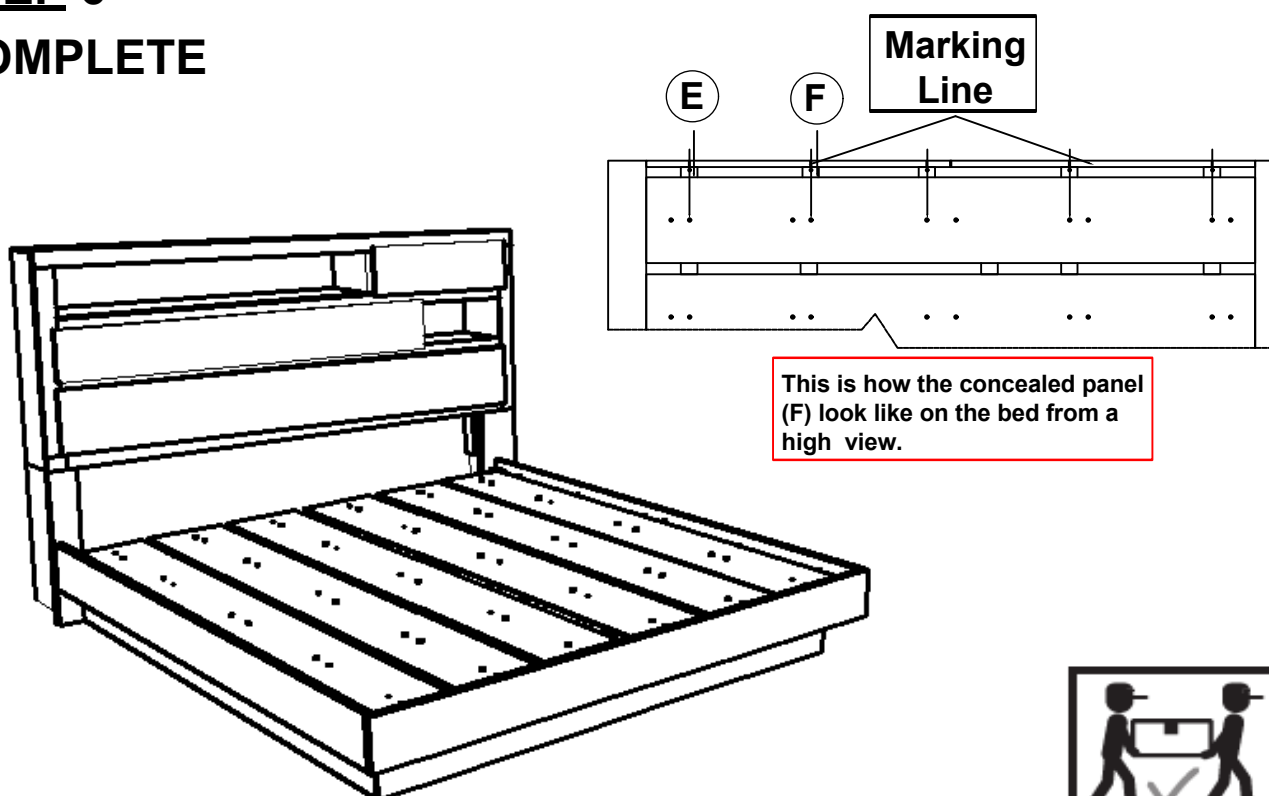
# ITEM:(B1-B3)

## ASSEMBLY INSTRUCTIONS

### STEP 5

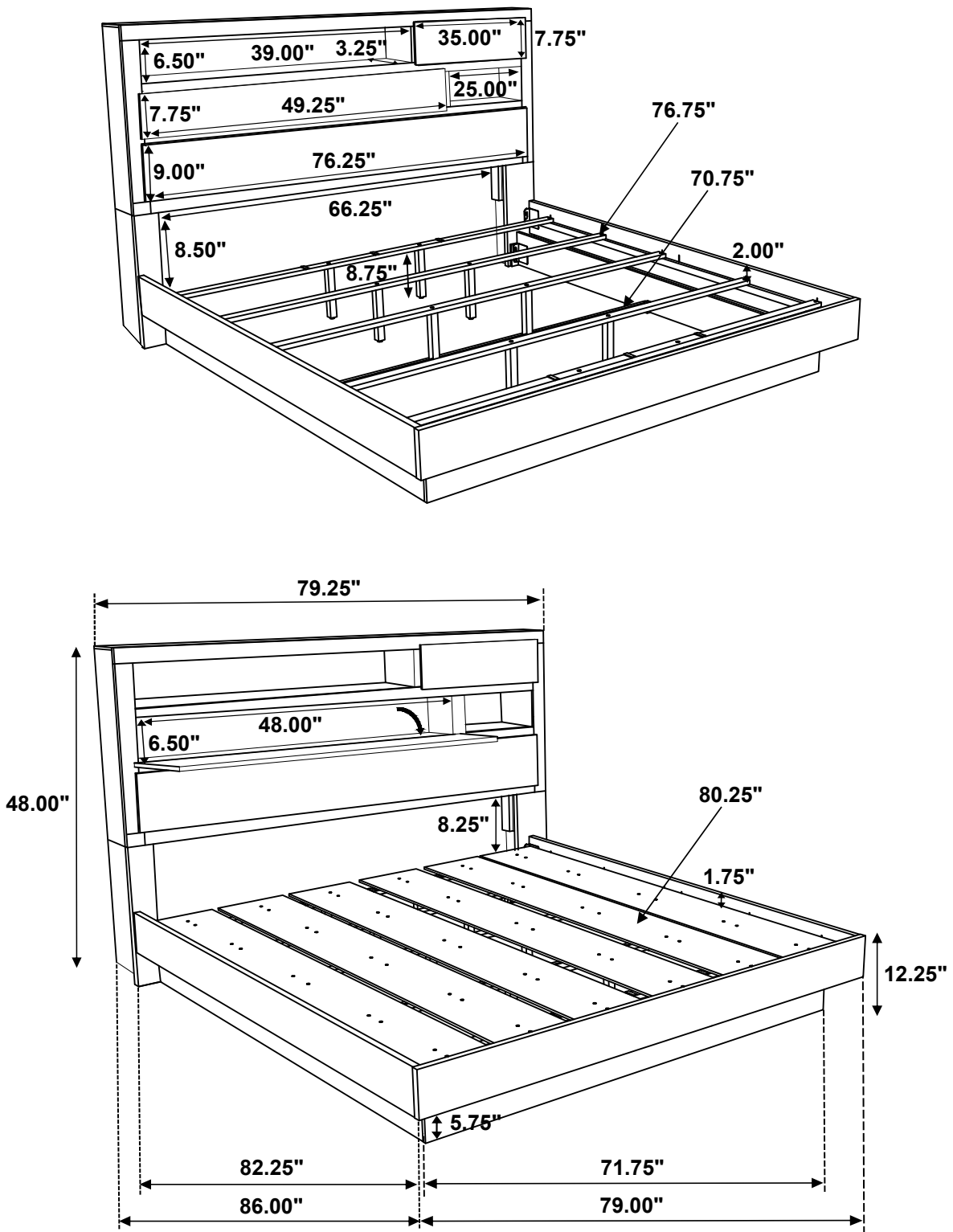


### STEP 6 COMPLETE



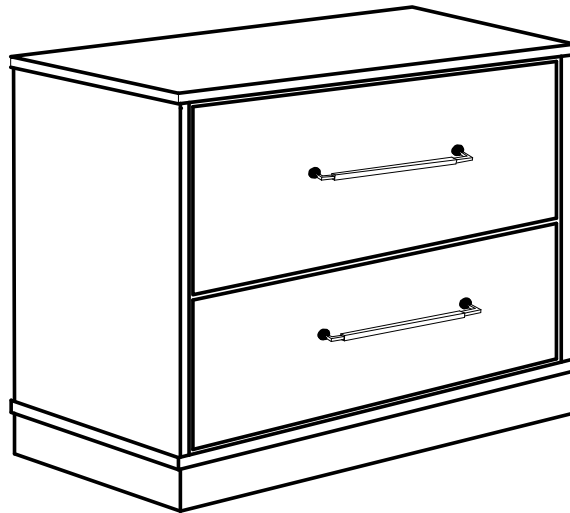
# ITEM:(B1-B3)

Inner Size :77.00"W x 80.75"D



Note : Dimension tolerance  $\pm 5\%$

# ASSEMBLY INSTRUCTIONS



*Fine Furniture for every stage of life*

**Nightstand**

# ASSEMBLY INSTRUCTIONS

## ASSEMBLY TIPS:

1. Remove hardware from box and sort by size.
2. Please check to see that all hardware and parts are present prior to start of assembly.
3. Please follow attached instructions in the same sequence as numbered to assure fast & easy assembly.



### WARNING!

1. Don't attempt to repair or modify parts that are broken or defective. Please contact the store immediately.
2. This product is for home use only and not intended for commercial establishments.



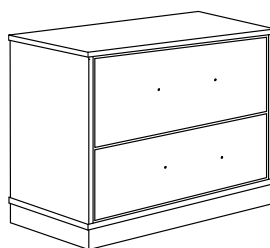
ASSEMBLY TIME

5 MINUTES

## PARTS IDENTIFICATION

AF

NIGHTSTAND



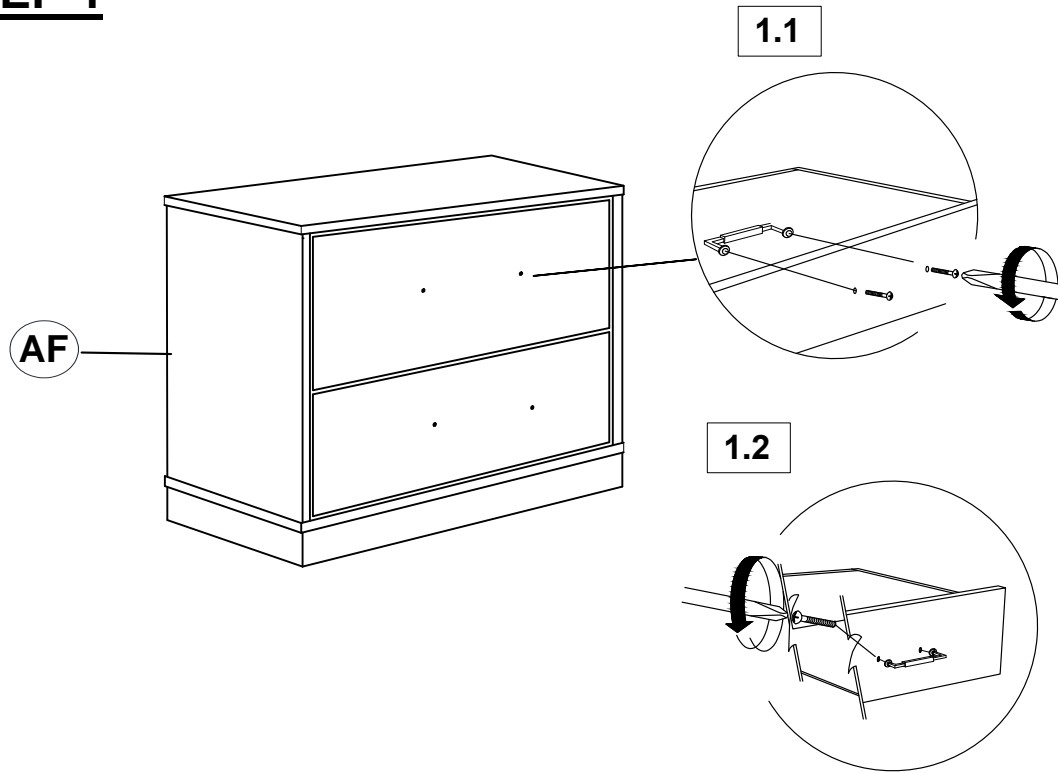
1PC

### NOTE:

Phillips head screw driver is required in the assembly process; however, manufacturer does not provide this item.

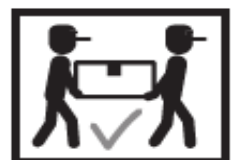
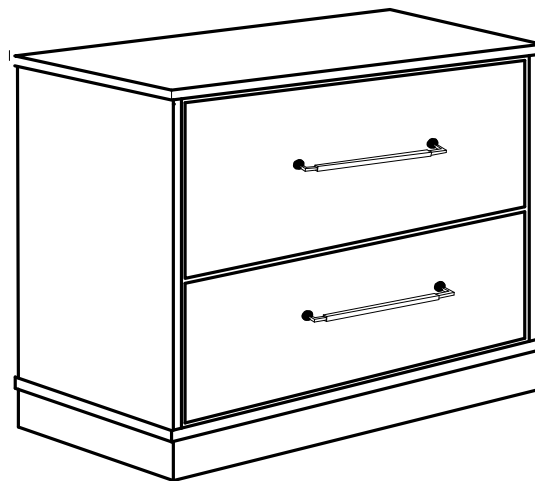
# ASSEMBLY INSTRUCTIONS

## STEP 1

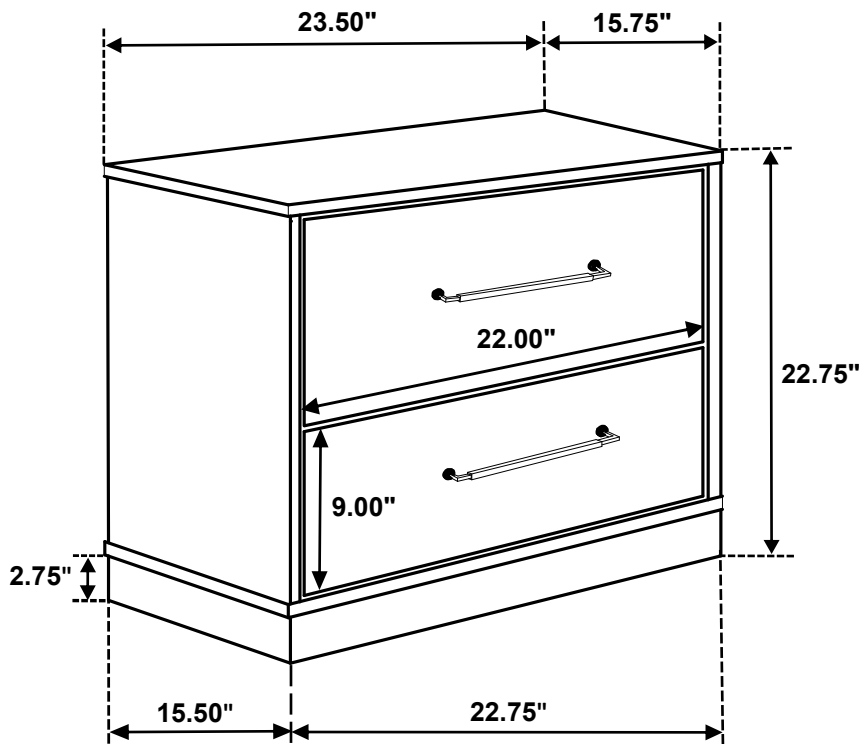


## STEP 2

## COMPLETE

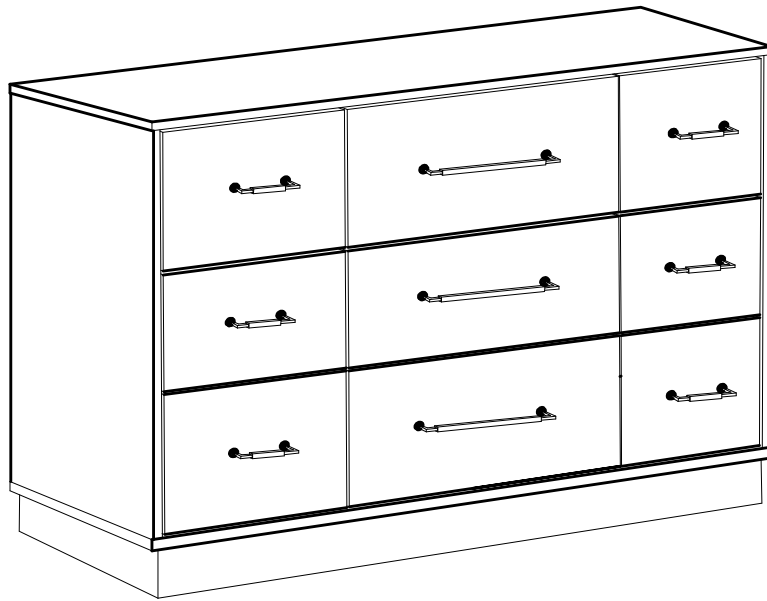


**Inner Size of Drawer : 20.50"W x 11.25"D x 5.25"H x 0.25"T**



**Note : Dimension tolerance  $\pm 5\%$**

# ASSEMBLY INSTRUCTIONS



*Fine Furniture for every stage of life*

**Dresser**

REVISION 0 : 05/29/2024  
REVISION 1 : 05/22/2025

# ASSEMBLY INSTRUCTIONS

## ASSEMBLY TIPS:

1. Remove hardware from box and sort by size.
2. Please check to see that all hardware and parts are present prior to start of assembly.
3. Please follow attached instructions in the same sequence as numbered to assure fast & easy assembly.



### WARNING!

1. Don't attempt to repair or modify parts that are broken or defective. Please contact the store immediately.
2. This product is for home use only and not intended for commercial establishments.



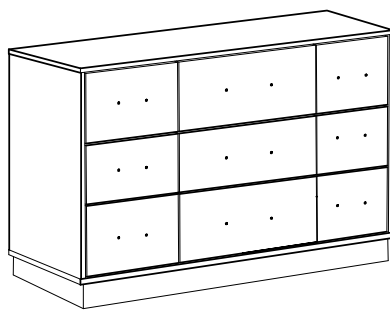
ASSEMBLY TIME

5 MINUTES

## PARTS IDENTIFICATION

AF

DRESSER



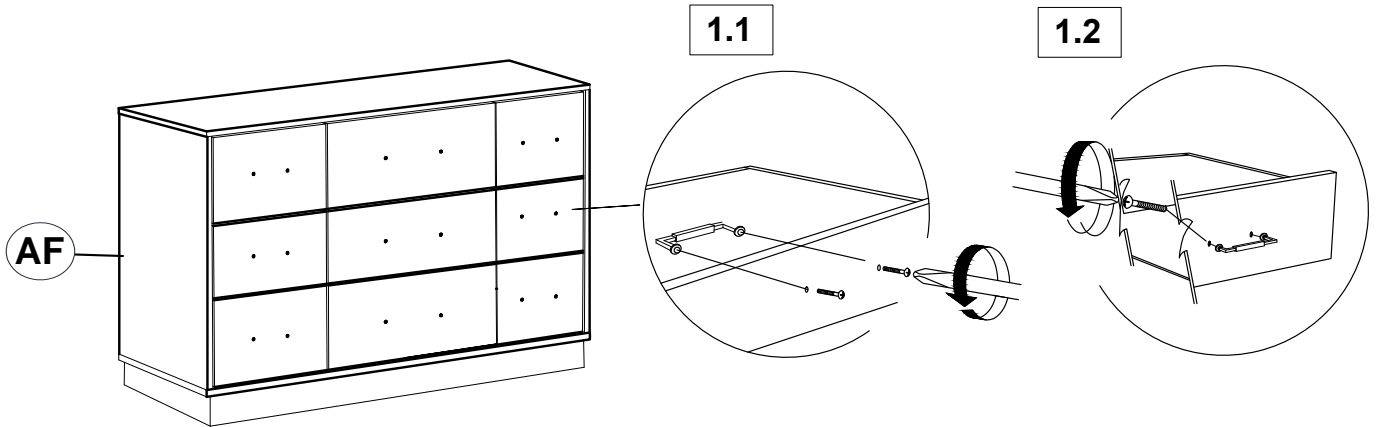
1PC

### NOTE:

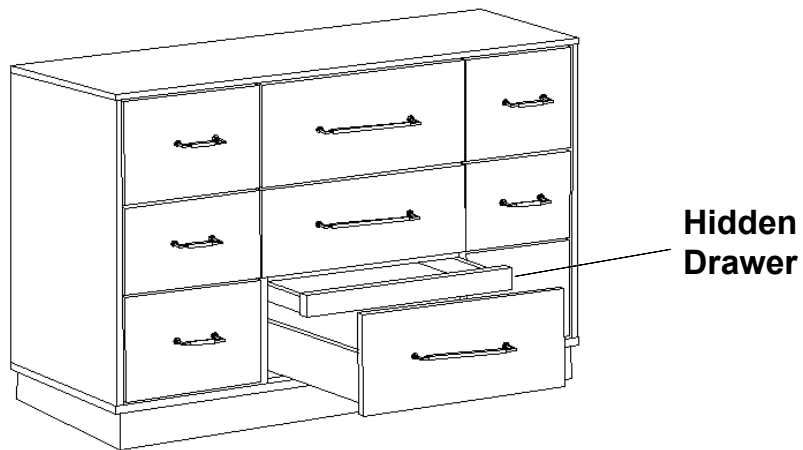
Phillips head screw driver is required in the assembly process; however, manufacturer does not provide this item.

# ASSEMBLY INSTRUCTIONS

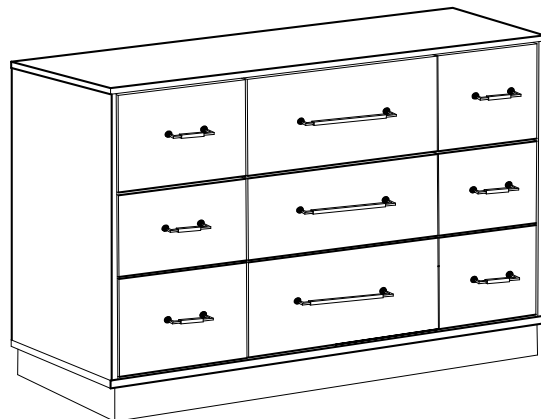
## STEP 1



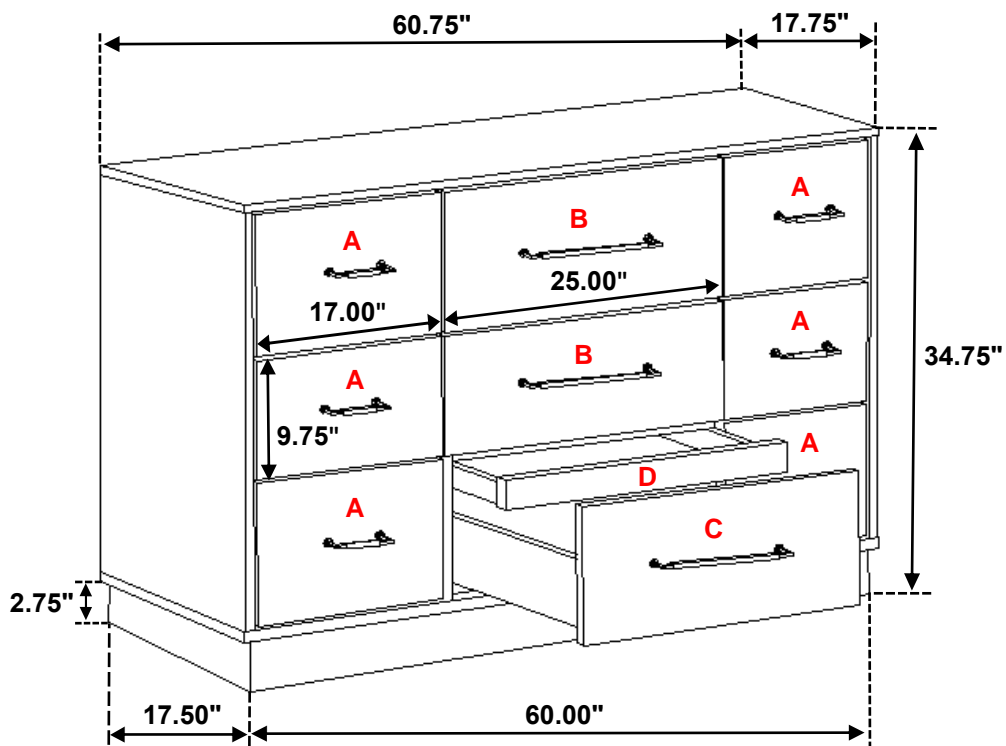
## STEP 2



## STEP 3 COMPLETE

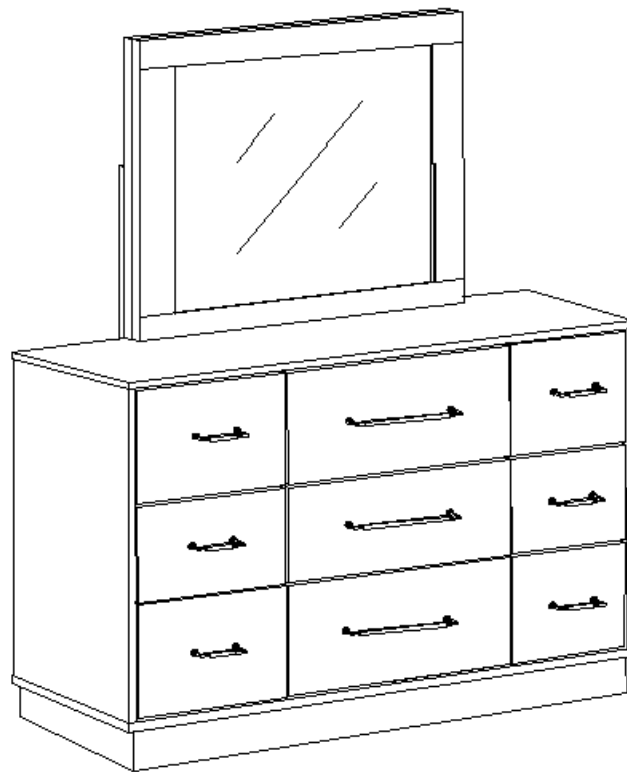


**Inner Size of Drawer A : 15.25"W x 11.25"D x 6.25"H x 0.25"H**  
**Inner Size of Drawer B : 22.75"W x 11.25"D x 6.25"H x 0.25"H**  
**Inner Size of Drawer C : 22.75"W x 11.25"D x 4.00"H x 0.25"H**  
**Inner Size of Drawer D : 22.50"W x 10.75"D x 1.75"H x 0.50"H**



**Note : Dimension tolerance  $\pm 5\%$**

# ASSEMBLY INSTRUCTIONS



*Fine Furniture for every stage of life*

**Mirror**

# ASSEMBLY INSTRUCTIONS

## ASSEMBLY TIPS:

1. Remove hardware from box and sort by size.
2. Please check to see that all hardware and parts are present prior to start of assembly.
3. Please follow attached instructions in the same sequence as numbered to assure fast & easy assembly.



### WARNING!

1. Don't attempt to repair or modify parts that are broken or defective. Please contact the store immediately.
2. This product is for home use only and not intended for commercial establishments.

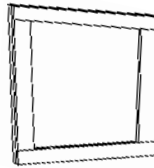


ASSEMBLY TIME

15 MINUTES

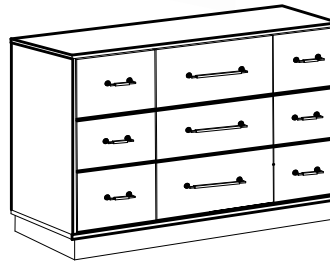
## PARTS IDENTIFICATION

A MIRROR



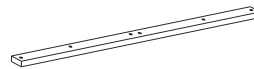
1PC

B DRESSER FROM  
BOX ITEM



1PC

C MIRROR SUPPORT  
(PACKED WITH DRESSER)



2PCS

## HARDWARE IDENTIFICATION

1 FLAT HEAD SCREW  
(M4 x 32mm - RBW)



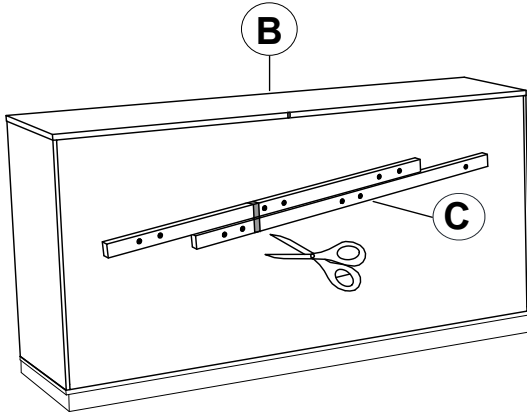
10PCS

### NOTE:

Phillips head screw driver is required in the assembly process; however, manufacturer does not provide this item.

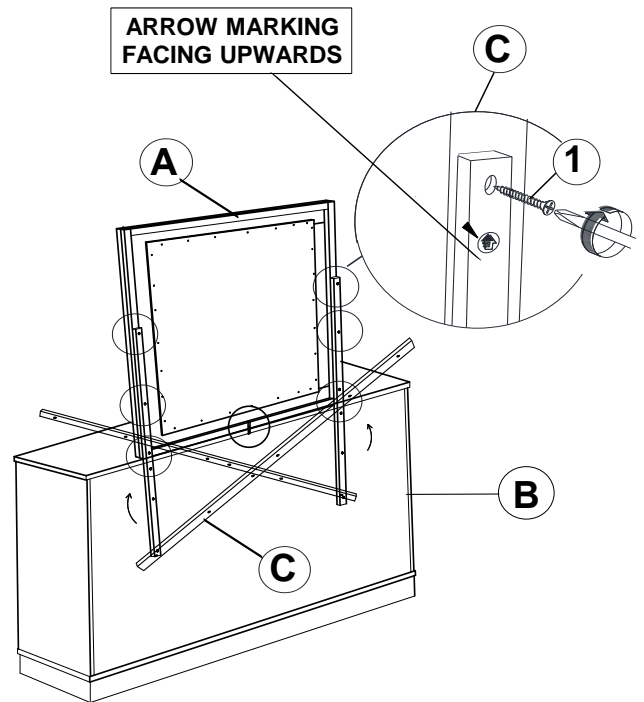
# ASSEMBLY INSTRUCTIONS

## STEP 1



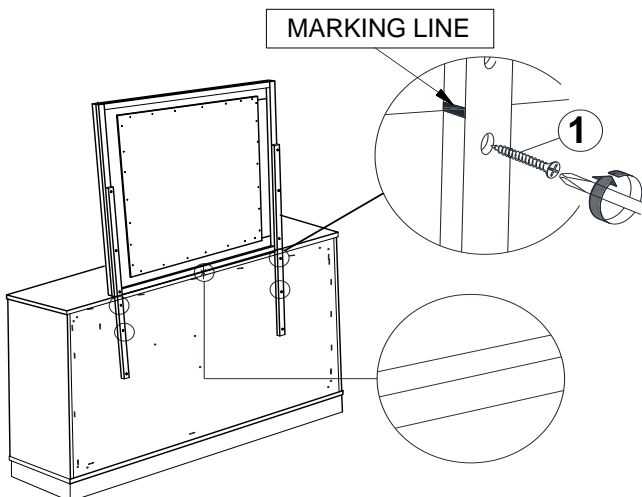
**\*\*BACK VIEW\*\***

## STEP 2



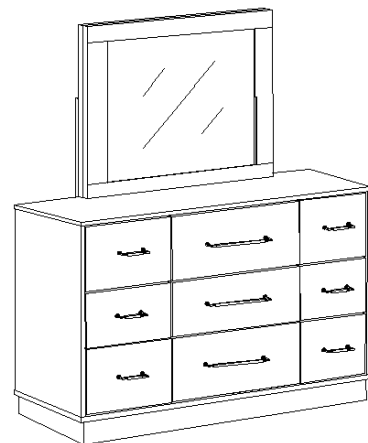
**\*\*BACK VIEW\*\***

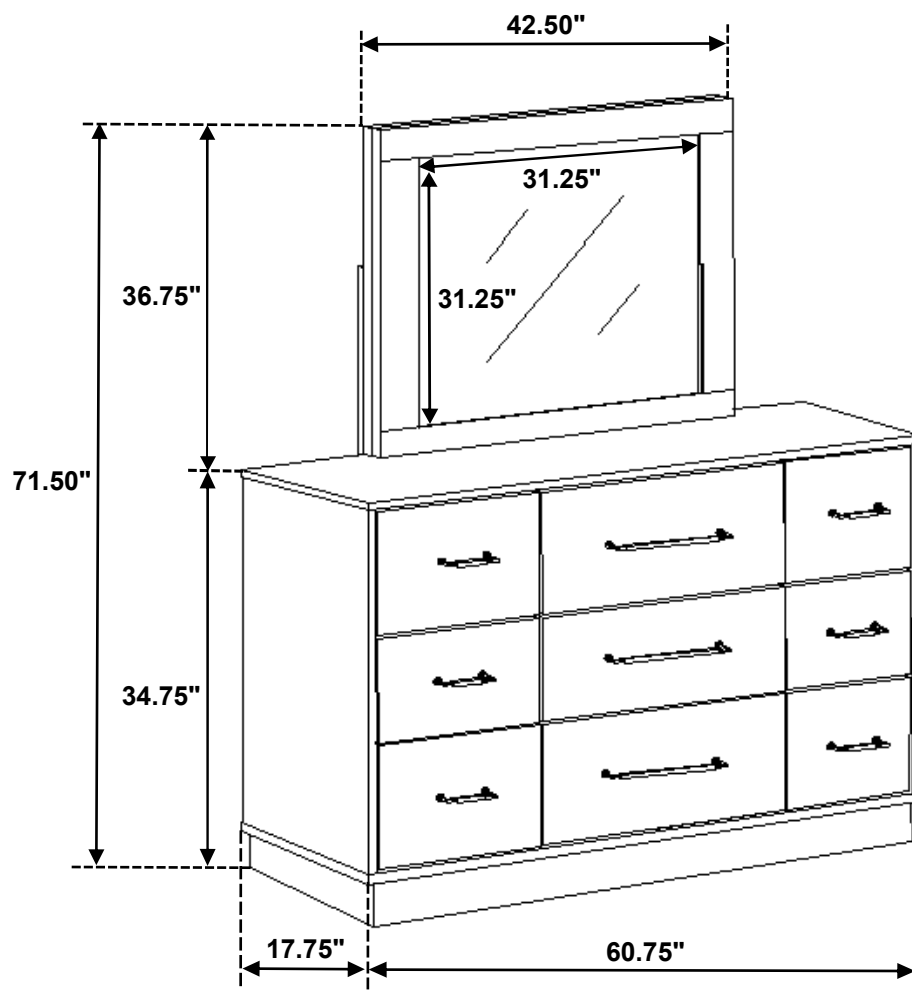
## STEP 3



REMARK:  
LINE MARKING MUST BE ALIGNED

## STEP 4 COMPLETE





**Note : Dimension tolerance  $\pm 5\%$**