

## ASSEMBLY & INSTALLATION INSTRUCTIONS

Please read carefully and save these instructions, as you may need them at a later date.

### CAUTION

Turn off the main power at the circuit breaker before installing the fixture. In order to prevent possible shock.

### GENERAL

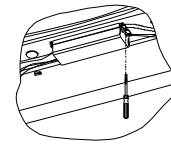
All electrical connections must be in accordance with local and national electrical code(N.E.C) standards. If you are unfamiliar with proper electrical wiring connections obtain the services of a qualified electrician.

Remove the fixture and the mounting package from the box and make sure that no parts are missing by referencing the illustrations on the installation instruction.

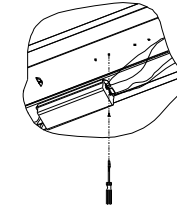
### ASSEMBLY AND INSTALLATION

1. Remove the wire cover (12) by loosening the screw and snapping the Wire Cover(12)with your finger.
2. Punch through the knockout on the center part of the fixture. Tuck all wires through the hole to the back of the fixture. Position your fixture over the Outlet box (1). Mark the location of the four keyhole slots located on the fixture body. Be sure to mark only the narrow parts of the keyhole slots. Remove the fixture body from the ceiling. Drill the four holes using the appropriately sized drill bit. Insert the provided ceiling anchors into the holes.
3. Make the wiring connections: secure the House Ground Wire (2) to the Green Screw (13) attached on the metal Pan (17). connect the White Supply Wire (3) to the White Fixture Wire (8); connect Black Supply Wire (4) to the Black Fixture Wire (7) using Wire Connectors. Carefully tuck all wires back into the Outlet.
4. Feed the four Anchor Screws (11) through the narrow part of the Keyhole Slots. Tighten the Anchor Screws into the Ceiling Anchors until the Fixture Body is flush with the ceiling.

5. Follow the Fig.3 to install the wire cover. Snap the wire cover with your hands. Then secure to the fixture body. (see Figure 3 )
6. install the tube (14). Please follow the wattage label located on the fixture body. Do not exceed the recommend wattage.
7. follow Fig.2 to install the lens (15). Hook the clip (16) of the lens to the curve edge of the pan (17)
8. Ballasts in the fixture is accessible and removable by an electrician without cutting of wires and without damage to the housing,trim,decorative elements or the carpentry to which the fixture is attached.



Use screw driver to loosen the ballast screw and take it out of fixture pan.



Insert the Ballast to the triangle hole and then secure it by the screw on the other end.

### INSTALLATION IS NOW COMPLETED

Fig 1

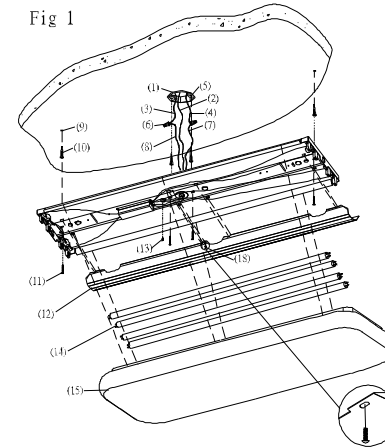


Fig 2

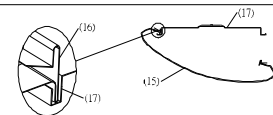
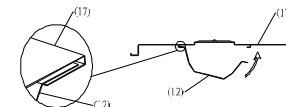


Fig 3



- 1.OUTLET BOX
- 2.HOUSE GROUND WIRE
- 3.WHITE SUPPLY WIRE
- 4.BLACK SUPPLY WIRE
- 5.DRILLED HOLES
- 6.WIRE CONNECTORS
- 7.BLACK FIXTURE WIRE
- 8.WHITE FIXTURE WIRE
- 9.DRILLED HOLES
- 10.MOUNTING SCREWS
- 11.ANCHOR SCREWS
- 12.WIRE COVER
- 13.GREEN SCREWS
- 14.TUBE
- 15.ACRYLIC LENS
- 16.CLIPS
- 17.PAN
- 18.SCREWS