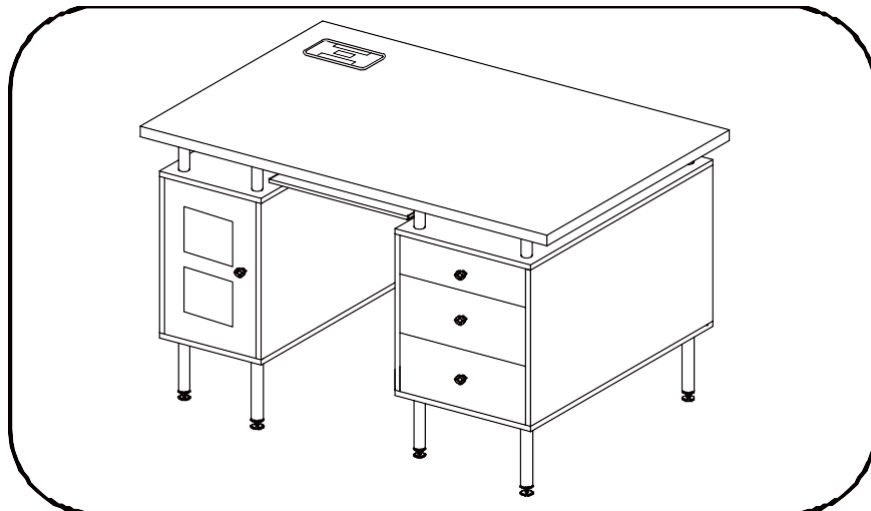


Contemporary Two-Tone Desk



Assembly Instructions

Product Dimensions:
43.98"L×20"D×45"H

Please take a moment to read through the entire instruction booklet before assembly to familiarize yourself with this product. Once you feel ready to start, follow the instructions step by step and this should make this process as easy as we could make it for you.

WARNING CAUTION

ADULT ASSEMBLY REQUIRED CHOKING HAZARD

- This product includes small parts, sharp points and sharp edges in its unassembled state. Keep unassembled parts away from children under 3 years of age, and animals.

SAFETY WARNINGS

- Follow the information on the warnings appearing on table and on the carton. Do not remove warning label from cabinet.
- Do not allow children under 3 years of age to use the desk.
- Do not use substitute parts. Contact the manufacturer or dealer for replacement parts.

FURNITURE TIP-OVER HAZARD

Children have died from furniture tip-over

To reduce the risk of furniture tip-over:

- ALWAYS install tip-over restraint especially if used by a wall or in the open.
- NEVER put a TV on this product
- NEVER allow children to stand, climb or hang on drawers, doors, or shelves.
- NEVER open more than one drawer at a time.
- ALWAYS place heaviest items in lowest desk.

PARENTAL SUPERVISION IS REQUIRED

- Parents or Guardians should supervise use under the intended age specifically regarding children that may have access to it and climb on the unit.
- Do not allow horseplay on, under, or behind the unit and prohibit jumping on the cabinet.
- If used improperly, your table may be pulled over or fall, creating risk of injury or damage. Children should not be permitted to climb or pull on the desk.

USE, MAINTENANCE & ASSEMBLY

- Periodically check and ensure that the components are in their proper position, free from damage, and that all connectors are tight.
- Use on level surfaces only. Assemble on a soft level surface to avoid damage to unit or floor.
- Do not use this item if any components are missing or damaged.
- Do not use substitute parts. Contact the manufacturer or dealer for replacement parts.
- Only clean using damp cloth and mild detergent, do not use bleach or abrasive cleaners.
- Check you have all components and tools listed on page 4
- Do not stand or put weight on this product during assembly, this could cause damage.
- Remove all hardware from the plastic bags and separate them into groups.
- Assemble the item as close to its final position (in the same room) as possible.
- Certain assembly steps may be easier with 2 people.
- Dispose of all packaging carefully and responsibly.
- We do not recommend power screwdrivers. Only use hand screwdrivers to prevent damage to unit.
- Keep these instructions for future reference.

~~Enfants morts suite au basculement d'un meuble.~~

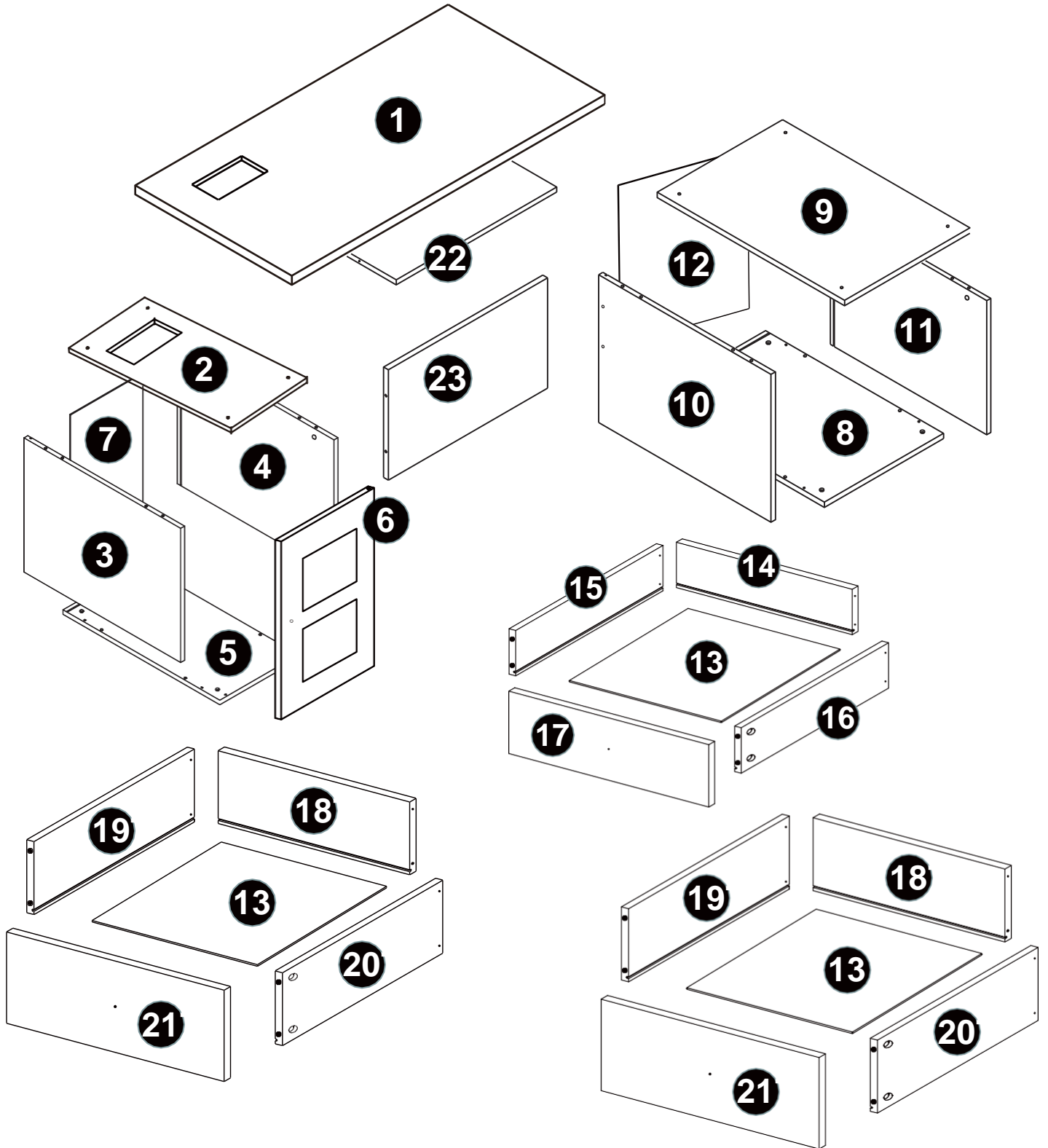
- Afin de limiter le risque de basculement de meuble:
- TOUJOURS utiliser les fixations anti-basculement.
- NE JAMAIS installer de TV sur ce produit.
- NE JAMAIS laisser d'enfants se tenir debout sur les tiroirs, portes ou etageres, y grimper ou s'y suspendre.
- NE JAMAIS ouvrir plus d'un tiroir a la fois.
- TOUJOURS placer les choses les plus lourdes dans les tiroirs du bas.

~~Han muerto niños por el vuelco de muebles.~~

- Para limitar el riesgo de vuelco de los muebles:
- Utilisar SIEMPRE las fijaciones antivuelco que suministran.
- NUNCA instalar un TV sobre este producto.
- NUNCA permitir que los niños se pongan de pie, trepen o se cuelguen de los cajones, puertas o baldas.
- NUNCA abrir mas de un cajon a la vez.
- Colocar los objetos mas pesados en los cajones inferiores.

ASSEMBLY AT A GLANCE

Please take a moment to read through the whole instruction booklet before assembly to familiarize yourself with this product. Once you feel ready to start, follow the instructions step by step and this should make this process as easy as we could make it for you.

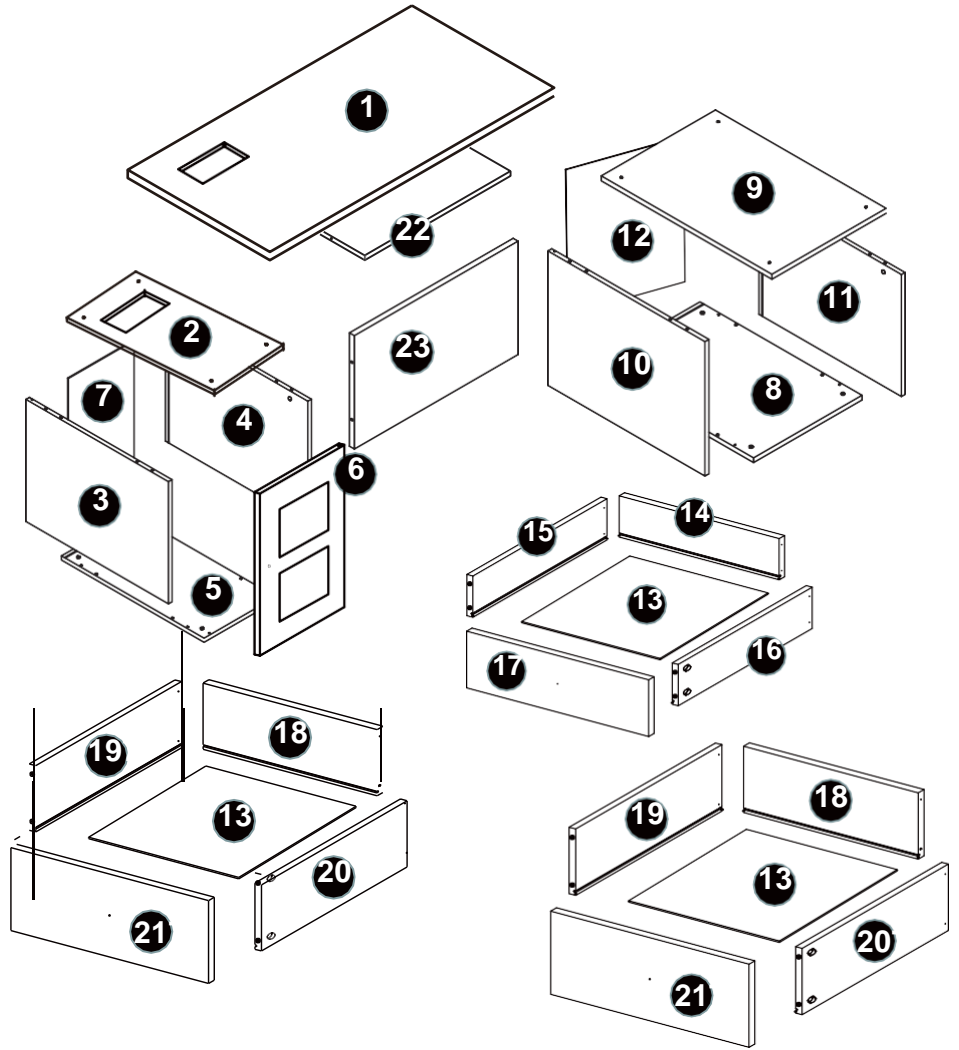


This drawing is to give you an overall idea only of how this assembly will go together and does not replace the assembly instructions.

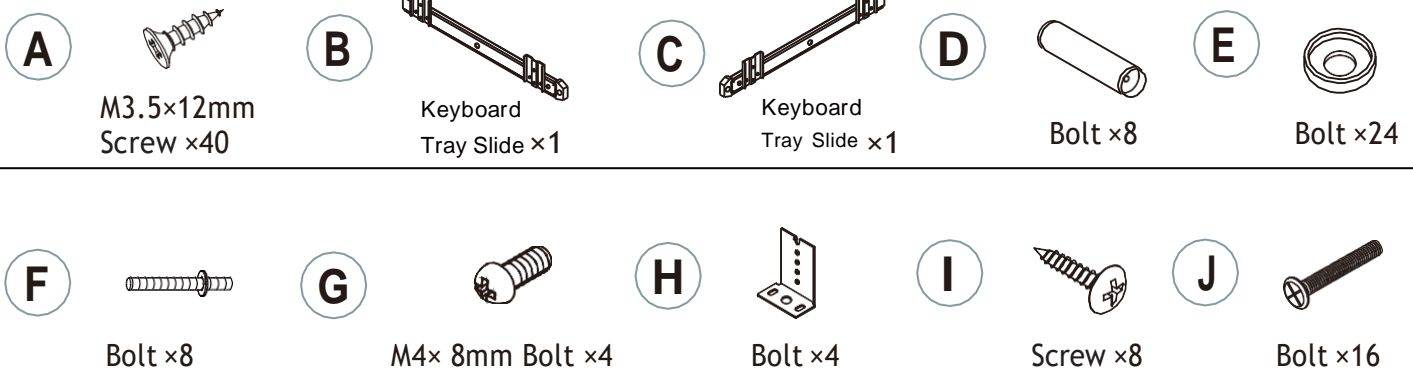
COMPONENT PARTS

Please check that you have all the parts listed below

1. Top Panel ×1
2. Left Desk Top Panel×1
3. Left Desk Left Side Panel×1
4. Left Desk Right Side Panel×1
5. Left Desk Bottom Panel×1
6. Left Desk Door×1
7. Left Desk Back Panel×1
8. Right Desk Bottom Panel×1
9. Right Desk Top Panel×1
10. Right Desk Left Side Panel×1
11. Right Desk Right Side Panel×1
12. Right Desk Back Panel×1
13. Right Drawer Bottom Panel×3
14. Right Drawer Back Panel×1
15. Right Drawer Left Side Panel×1
16. Right Drawer Right Side Panel×1
17. Right Drawer Front Panel×1
18. Right Drawer Back Panel×2
19. Right Drawer Left Side Panel×2
20. Right Drawer Right Side Panel ×2
21. Right Drawer Front Panel×2
22. Desk Drawer×1
23. Middle Back Panel×1

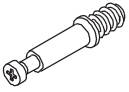


ASSEMBLY HARDWARE



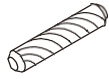
ASSEMBLY HARDWARE

K



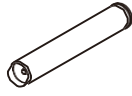
Bolt x24

L



Wood Dowel x16

M



Bolt x8

N



Bolt x24

O



CL DL DR CR
Drawer Slide x3

P



4x40mm Screw x20

Q



Handle x4

R



M4x18mm Bolt x4

S



Bolt x2

T



U



V



Bolt x8

W



Bolt x1

X

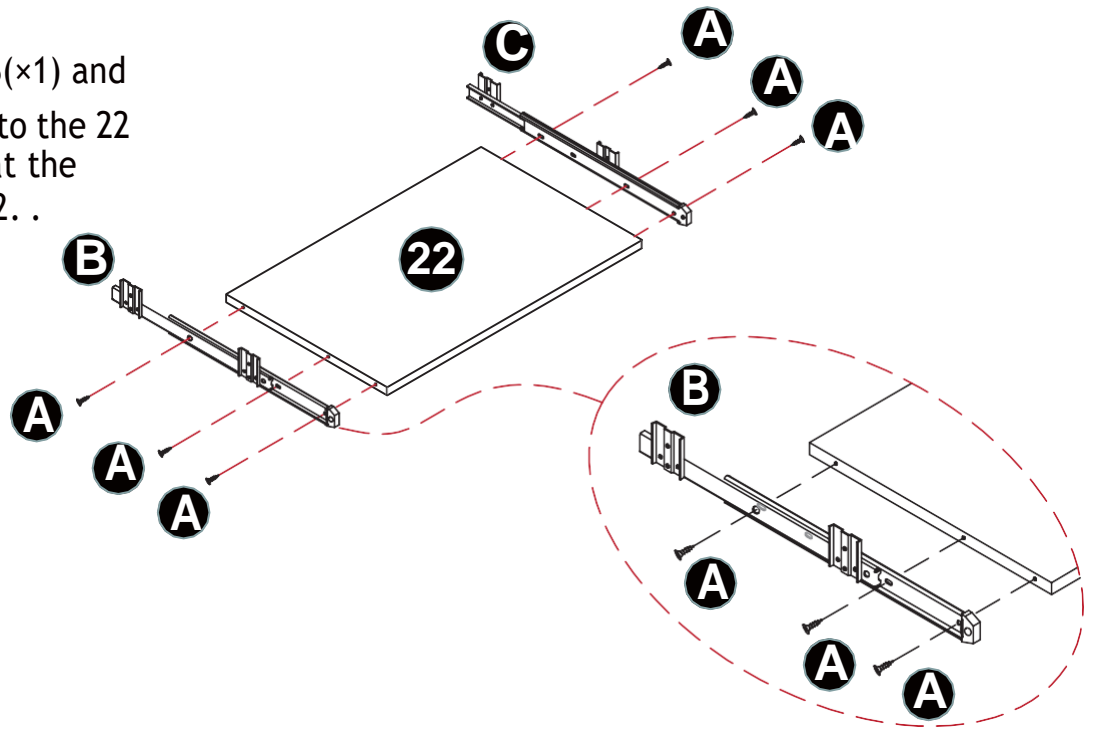


Screw x2

ASSEMBLY INSTRUCTIONS

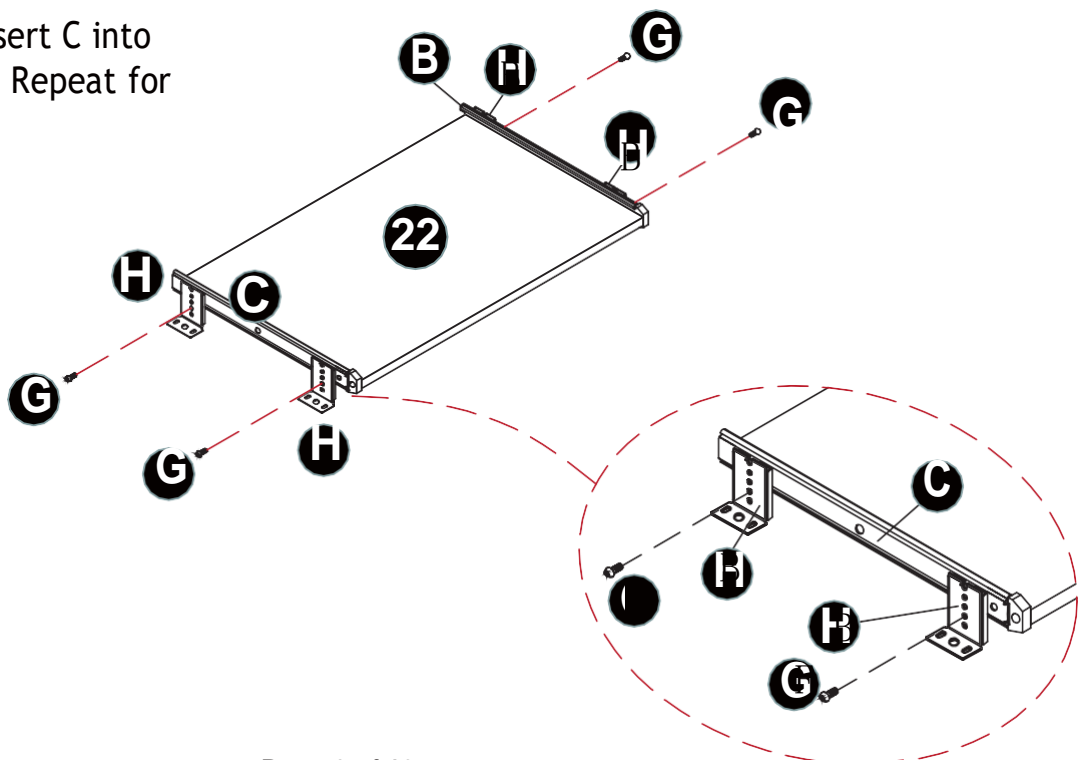
1

Select 22(x1), A(x6), B(x1) and C(x1). Insert B(x1) into the 22 with the A(x3). Repeat the steps for the C into 22. .



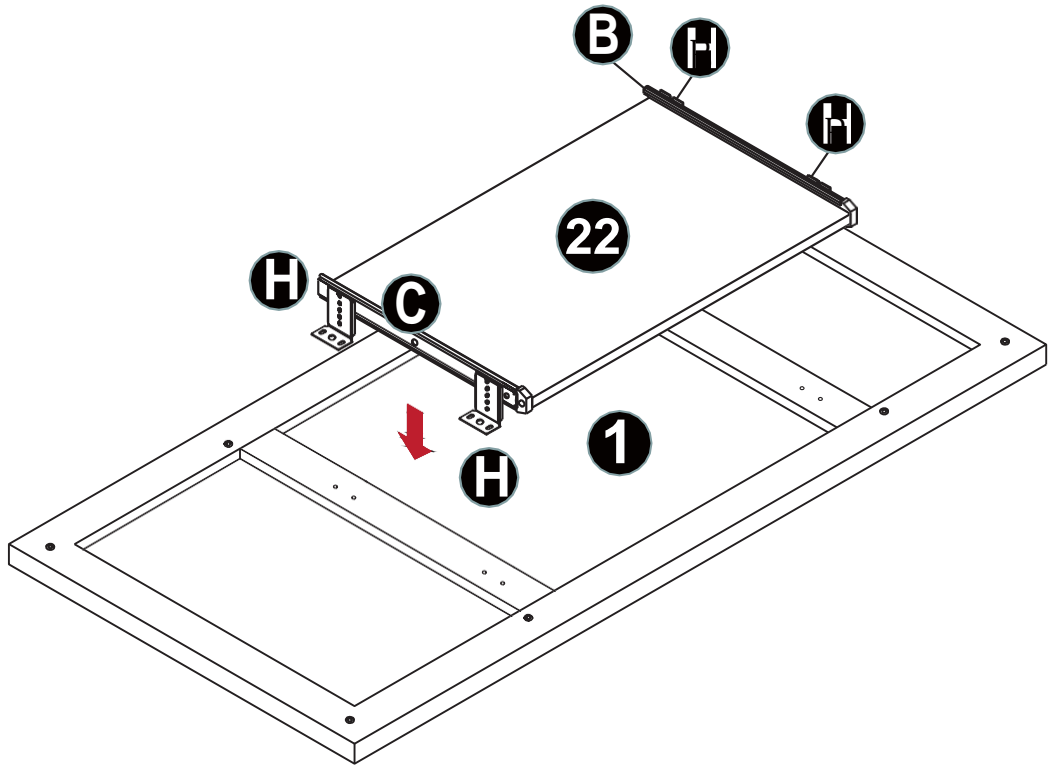
2

Select the G(x4). Insert C into the H(x2) with G(x2). Repeat for the B.



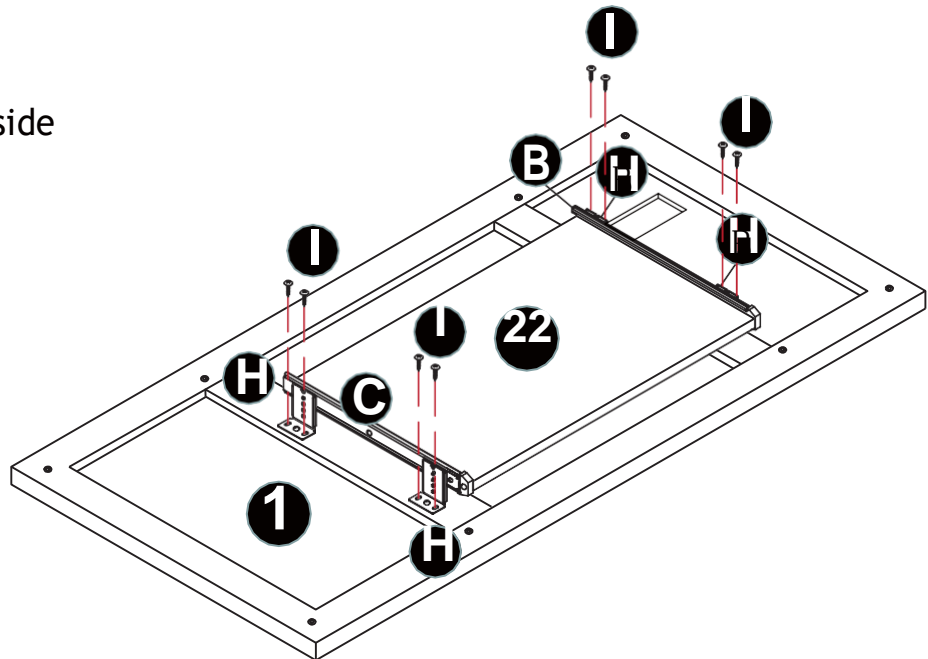
ASSEMBLY INSTRUCTIONS

3



4

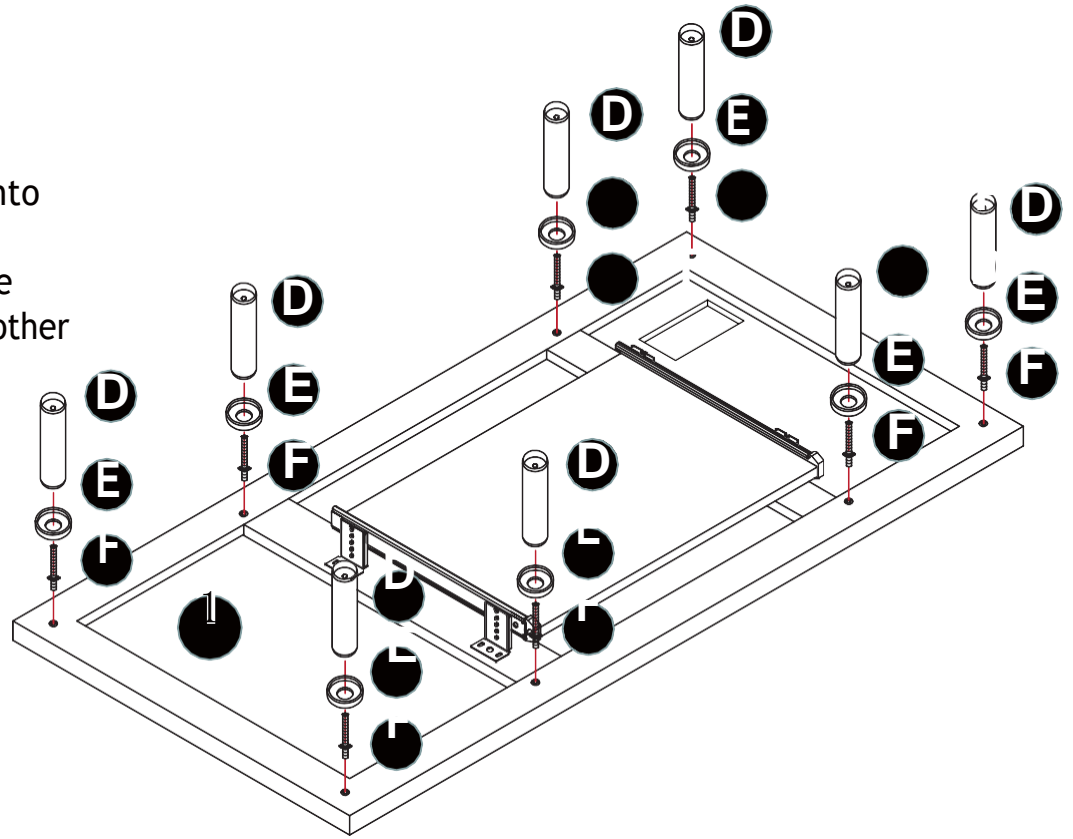
Select $l \times 8, H \times 4$ and 1×1 .
Insert the $H \times 2$ into one side
of 1 with $l \times 4$. Repeat for
another $H \times 2$.



ASSEMBLY INSTRUCTIONS

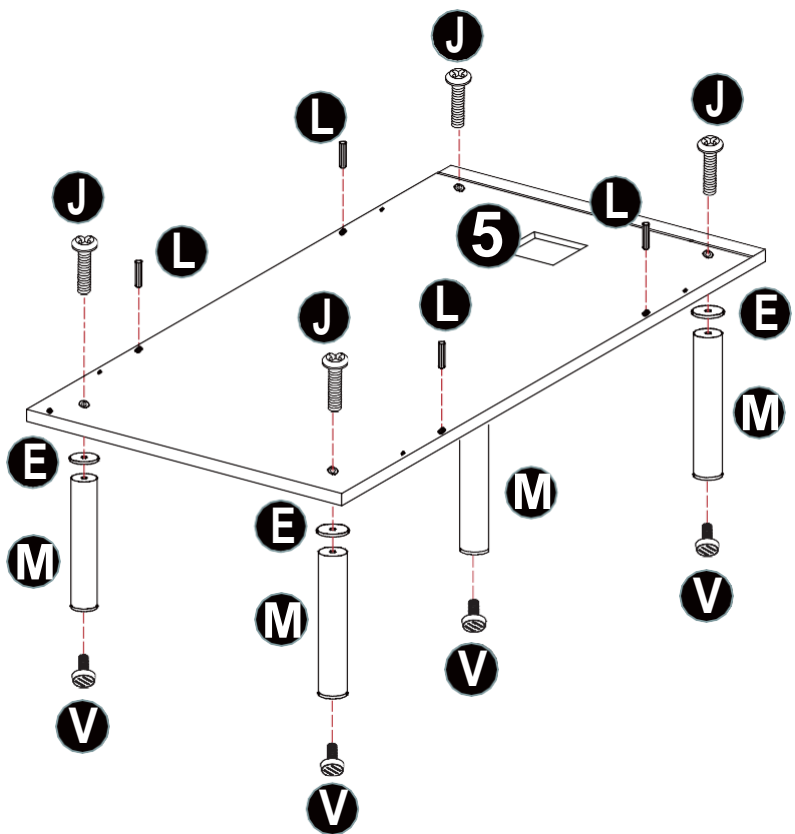
5

Select the D×8, E×8, F×8.
Insert the D×4 and E×4 into
the F×4
into the four holes of one
side of 1. Repeat for the other
side of 1.



6

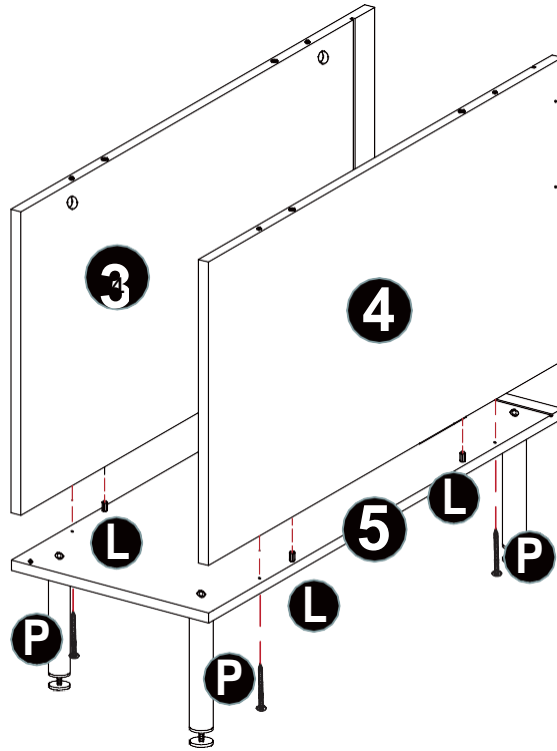
Select J(×4), L(×4), E(×4),
M(×4), V(×4) and 5(×1).
Insert J(×4) and L(×4) into top
side of 5. Install the E(×4),
M(×4), and V(×4) into bottom
side of 5.



ASSEMBLY INSTRUCTIONS

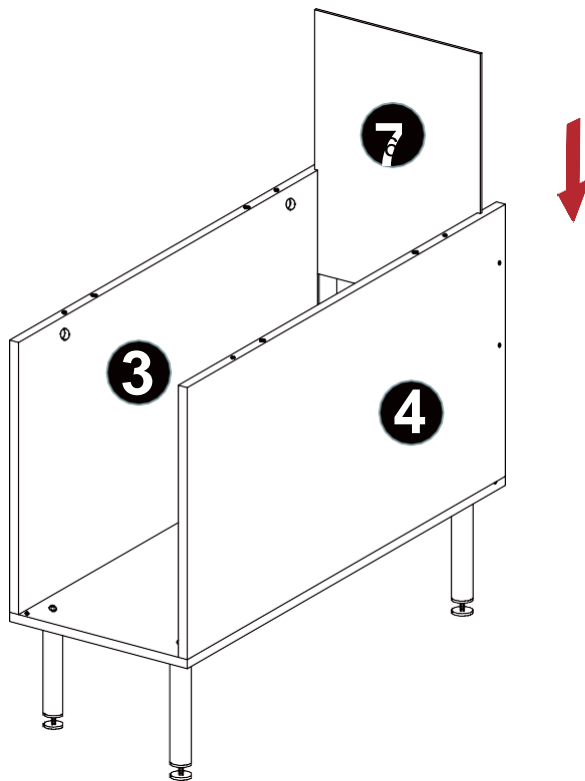
7

Select 3(x1), 4(x1) and P(x4).
Align the holes on the side of
3 and 4 to the position of
L(x4). Insert 5 into 3 and 4
with P(x4).



8

Slide 7 down the grooves
between 3 and 4.



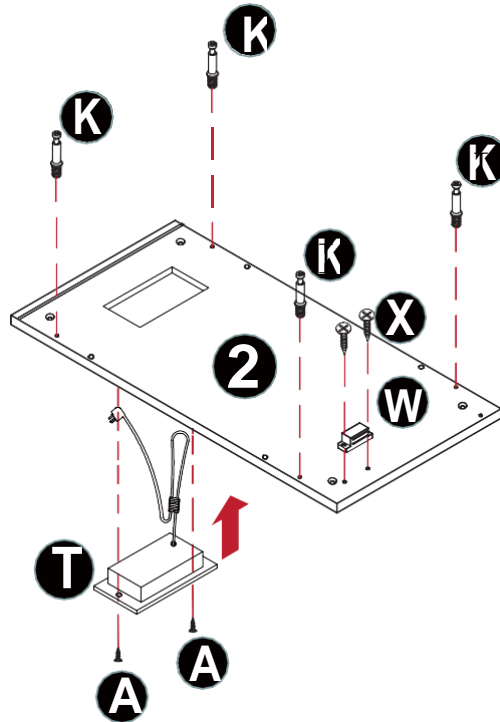
ASSEMBLY INSTRUCTIONS

9

Select 2×1, A×2, K×4, T×1, X×2 and W×1.

Insert K×4, X×2 and W×1 into 2.

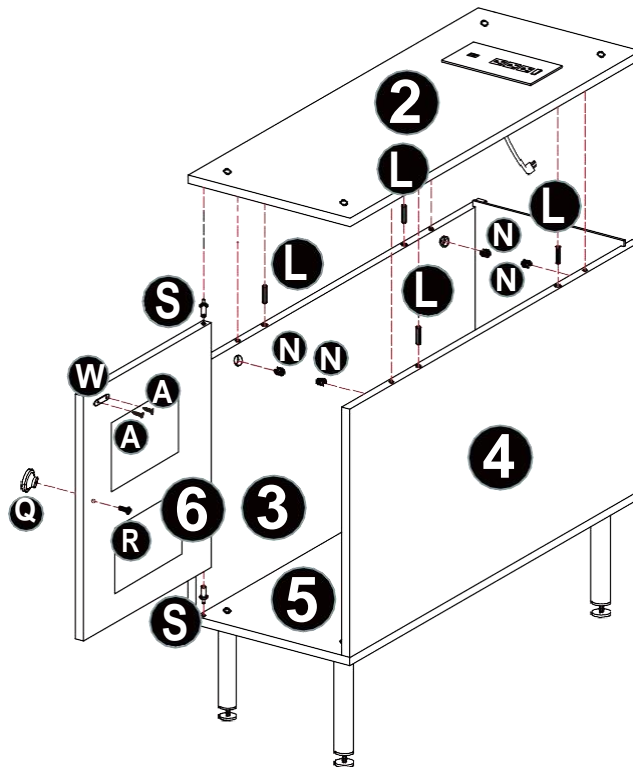
Put the A×2 and T into the hole of 2.



10

Select A(×2), L(×4), N(×4), Q(×1), R(×1), S(×2), W(×1), 2(×1), 6(×1).

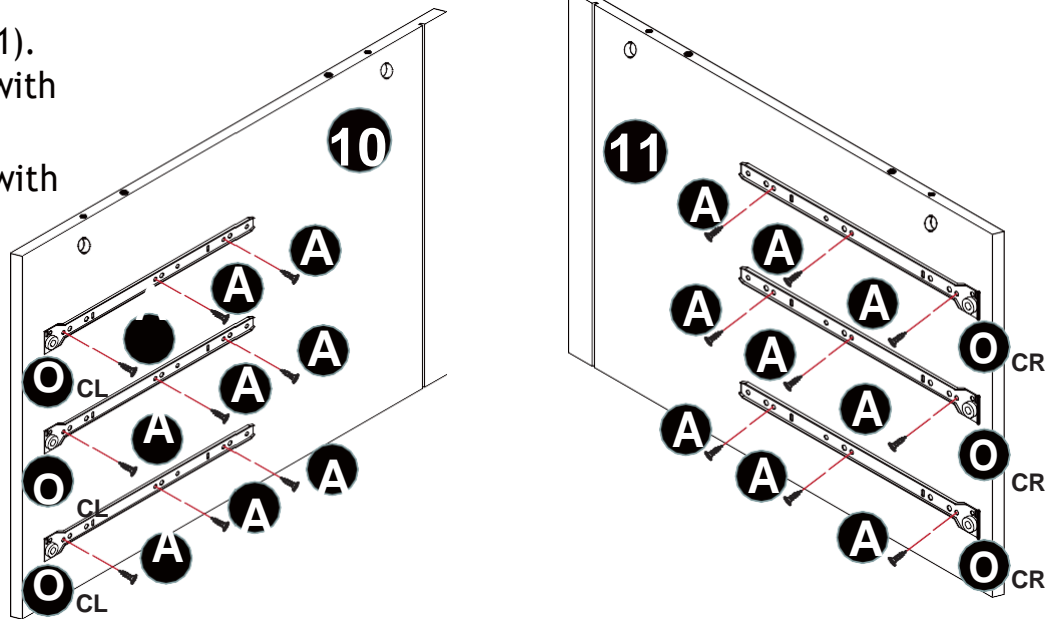
Install 2(×1) into 3 and 4 with L(×4). Insert N(×2) into two holes of 3. Repeat the steps for 4. Insert the top of 6 into 2 with S(×1) and install the bottom of 6 into 5 with the other S(×1). Insert the A(×2) into of W(×1) into 6. Install the Q and R into the hole of 6.



ASSEMBLY INSTRUCTIONS

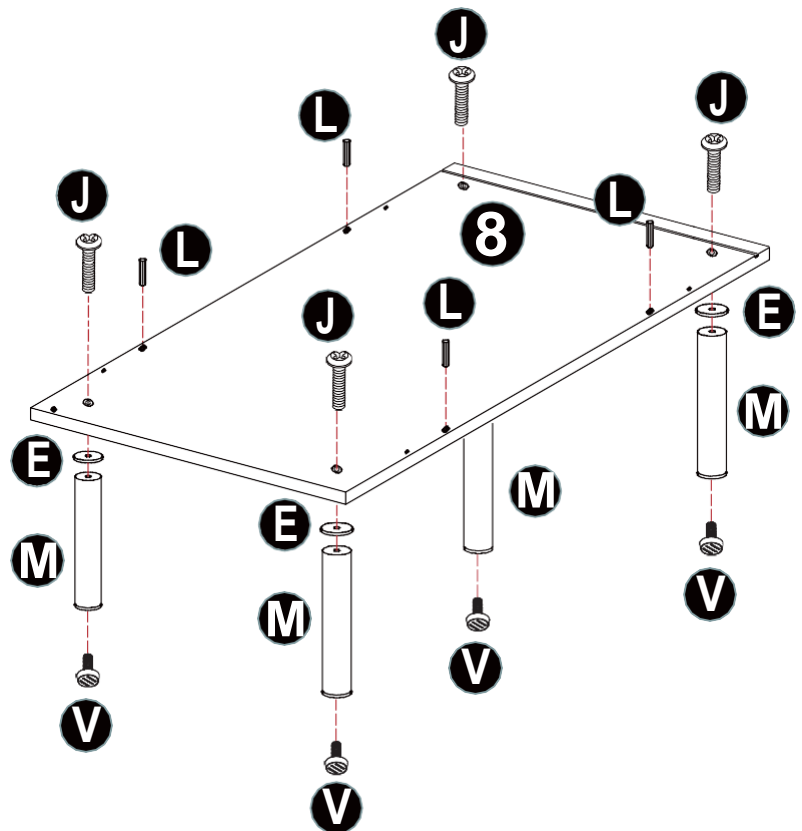
11

Select A($\times 18$), OCL($\times 3$),
OCR($\times 3$), 10($\times 1$), and 11($\times 1$).
Insert the OCL $\times 3$ into 10 with
A $\times 9$.
Insert the OCR $\times 3$ into 11 with
A $\times 9$.



12

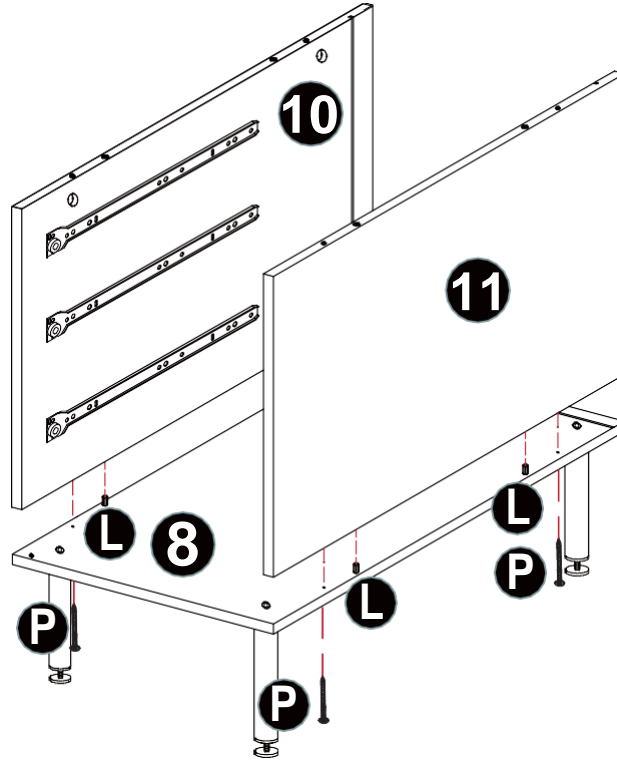
Select J($\times 4$), L($\times 4$), E($\times 4$),
M($\times 4$), V($\times 4$) and 8($\times 1$).
Insert J($\times 4$) and L($\times 4$) into top
side of 8. Install the E($\times 4$),
M($\times 4$), and V($\times 4$) into bottom
side of 8.



ASSEMBLY INSTRUCTIONS

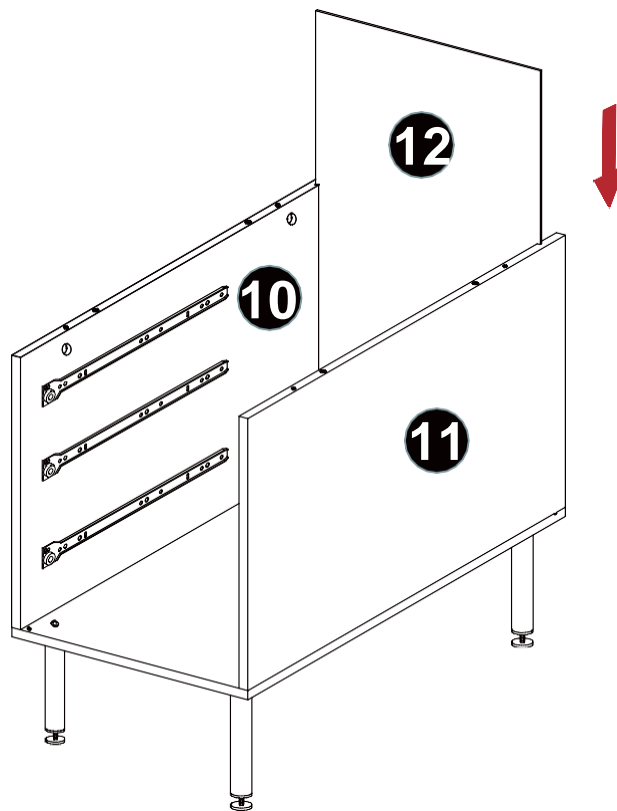
13

Select 10(×1), 11(×1) and P(×4). Align the holes on the side of 10 and 11 to the position of L(×4). Insert 8 into 10 and 11 with P×4.



14

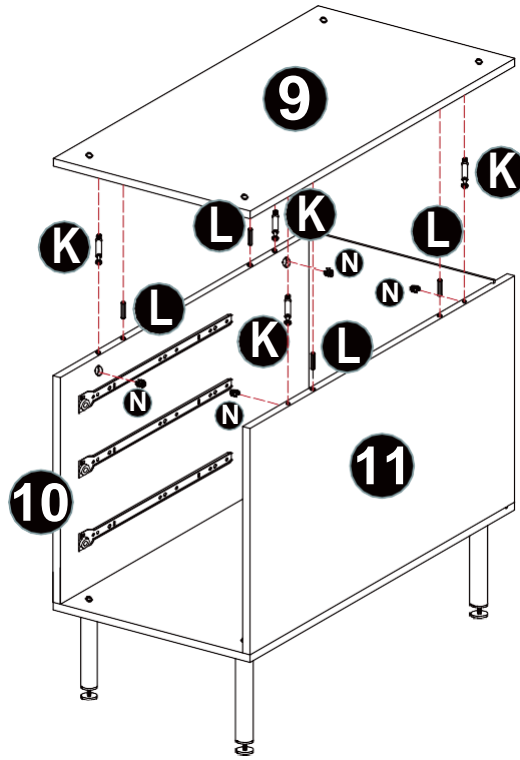
Slide 12 down the grooves between 10 and 11.



ASSEMBLY INSTRUCTIONS

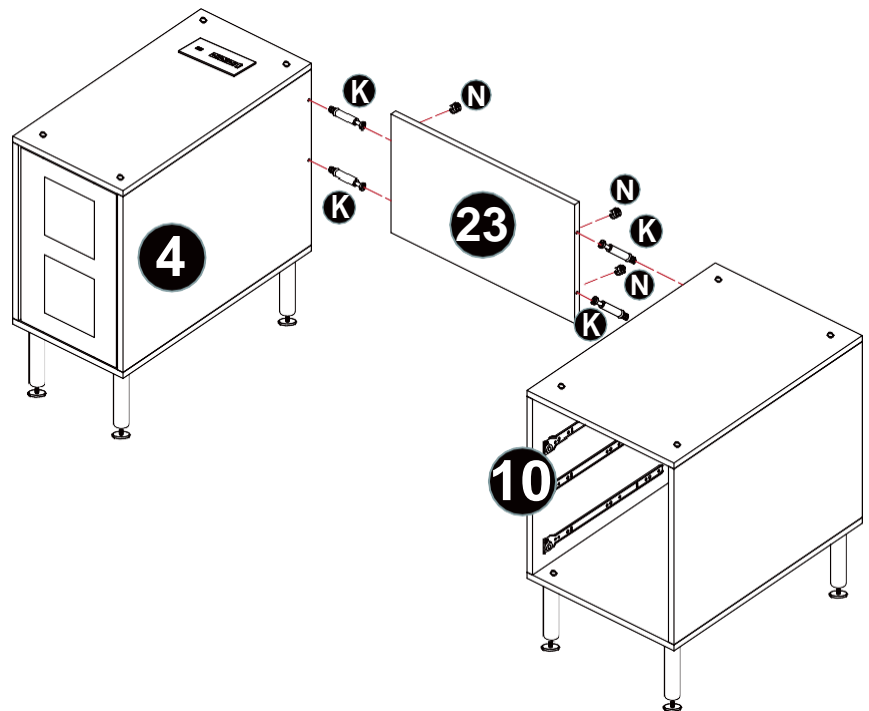
15

Install 9 into 10 and 11 with
K($\times 4$), L($\times 4$) and N($\times 4$).



16

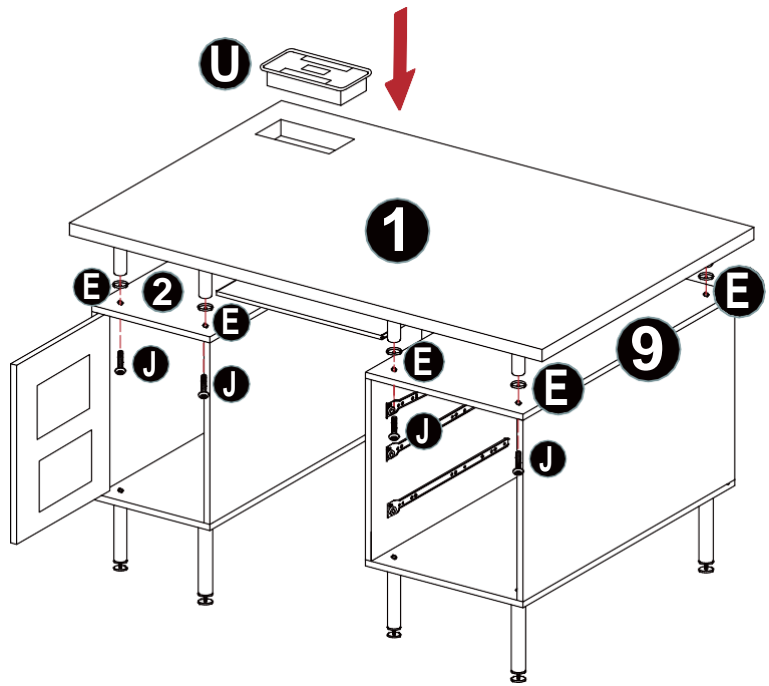
Install 23 into 4 and 10 with
K($\times 4$), N($\times 4$).



ASSEMBLY INSTRUCTIONS

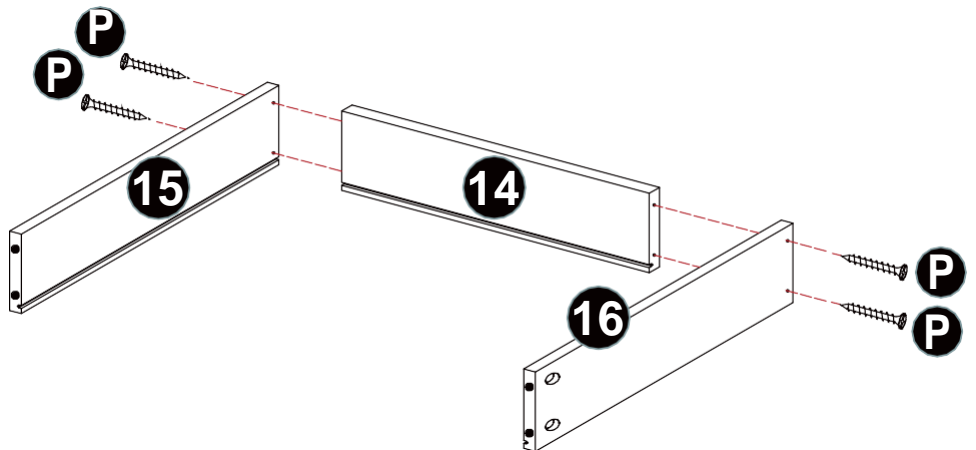
17

Select E(×8),J(×8),U(×1).Insert 1 into 2 and 9 with E(×8) and J(×8). Put U onto the hole of 1.



18

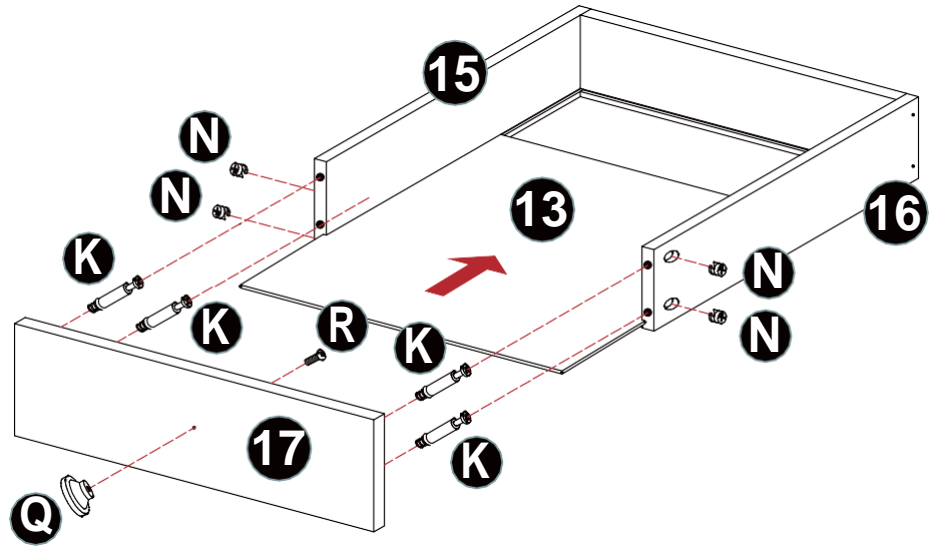
Select 14×1, 15×1,16×1,and P×4.Insert 15×1 into one side of 14×1 with P×2. Repeat for 16 into 14.



ASSEMBLY INSTRUCTIONS

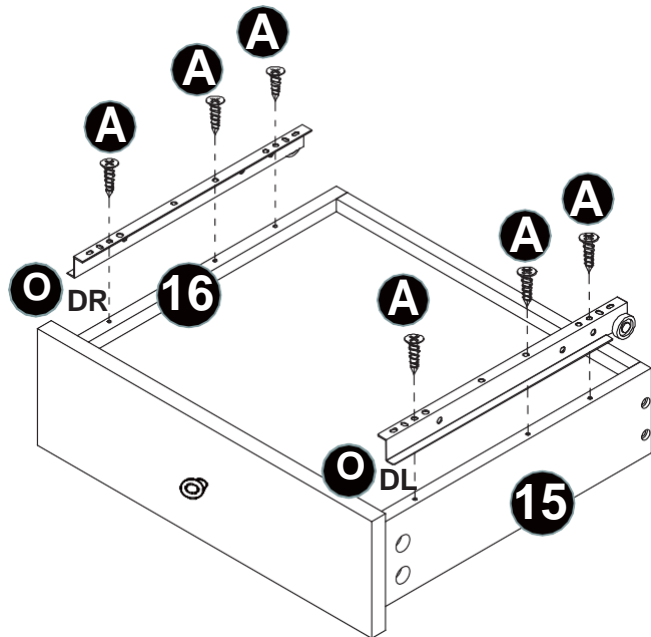
19

Slide 13 along the grooves between 15 and 16. Insert 17 into 15 and 16 with K×4 and N×4. Install the R and Q into the hole of 17.



20

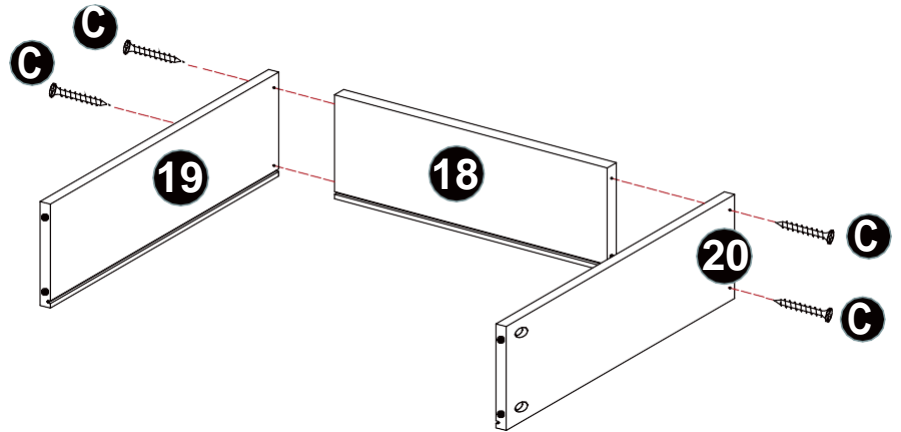
Insert the ODR into 16 with A×3.
Insert the ODL into 15 with A×3.



ASSEMBLY INSTRUCTIONS

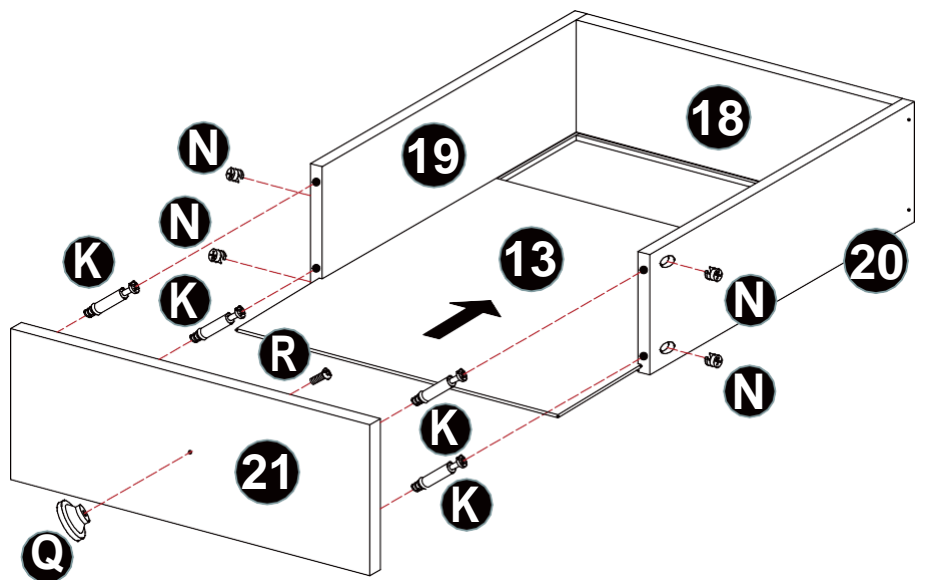
21

Select 18×1, 18×1, 20×1, and P×4. Insert 19×1 into one side of 18×1 with P×2. Repeat for 20 into 18.



22

Slide 13 along the grooves between 19 and 20. Insert 21 into 19 and 20 with K×4 and N×4. Install the R and Q into the hole of 21.



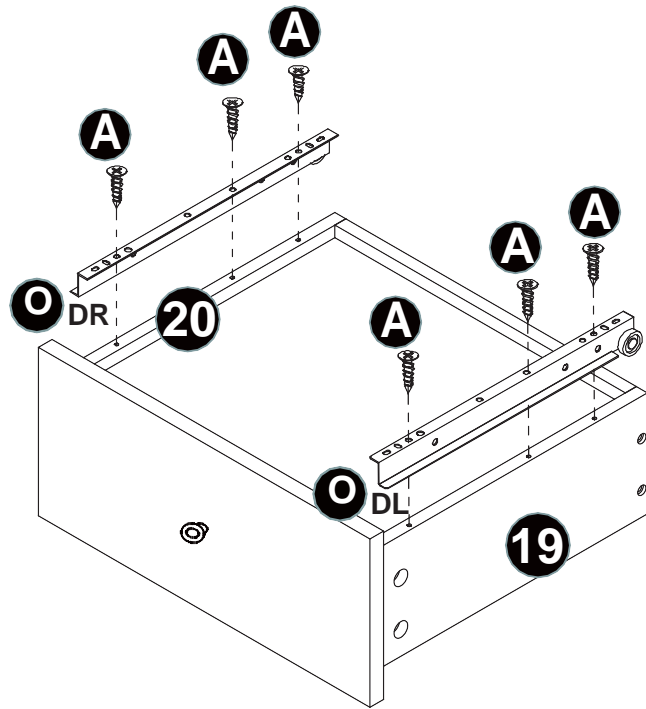
ASSEMBLY INSTRUCTIONS

23

Insert the ODR into 20 with
A×3.

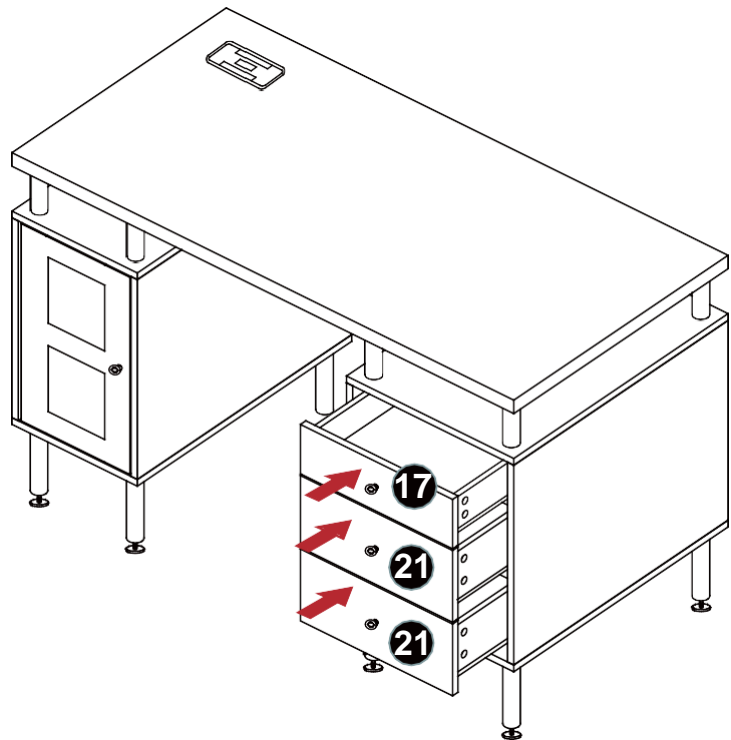
Insert the ODL into 19 with
A×3.

Repeat the same steps for
the other drawer.



24

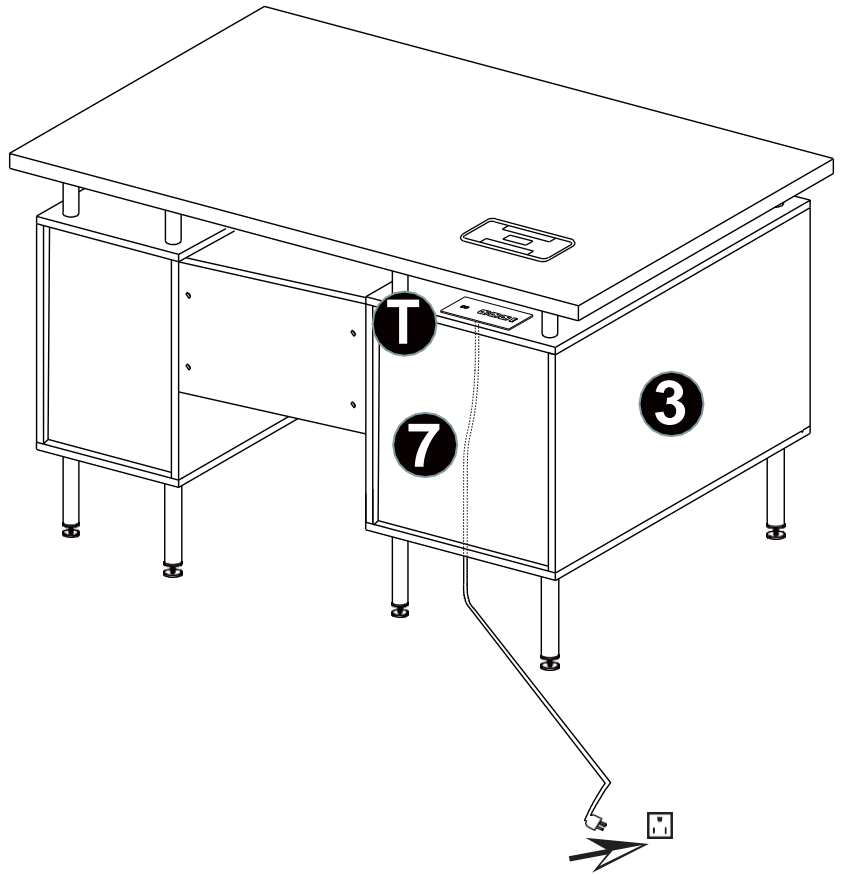
Put the three drawers in the
cabinet of desk.



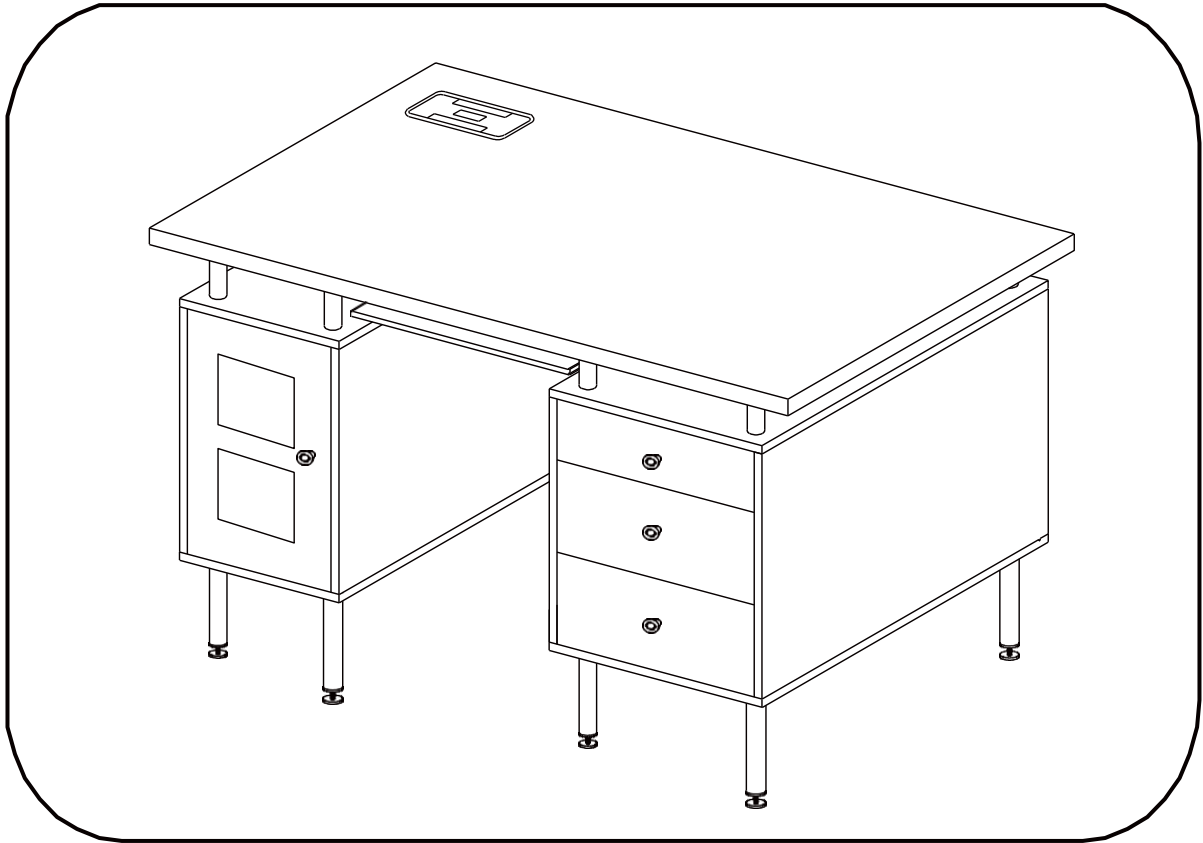
ASSEMBLY INSTRUCTIONS

25

Access the power panel by opening the top cover in the desk and reaching in to plug in devices.



ASSEMBLY COMPLETE



**CONGRATULATIONS, YOUR CONTEMPORARY TWO-TONE DESK IS
COMPLETE!**