

EN_IMPORTANT, RETAIN FOR FUTURE REFERENCE: READ CAREFULLY.

. THANK YOU FOR PURCHASE! .

FREE REPLACEMENT PARTS AVAILABLE!



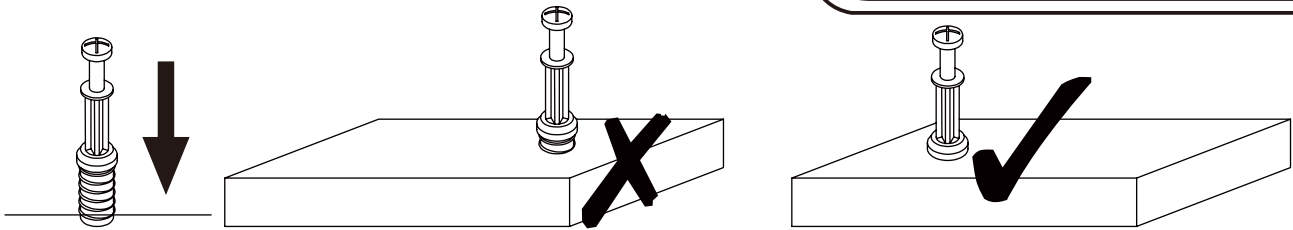
---NEED HELP WITH YOUR FURNITURE?---

If you're experiencing any issues—whether due to shipping, assembly, or any other reason
—we're here to help.
For any damaged or missing components, we're happy to provide FREE replacement parts.

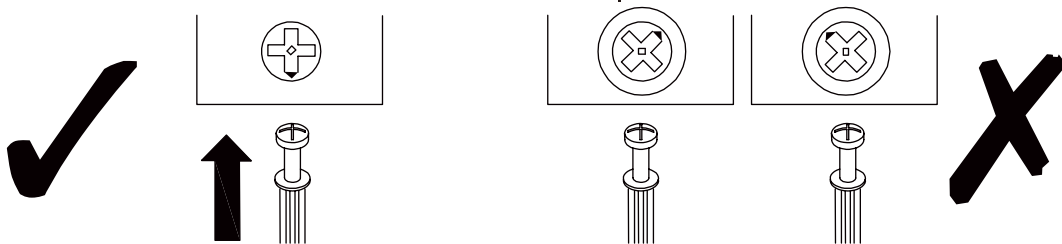
WANT TO CONTACT US

- ▶ Go to “Your Orders” and locate your furniture order.
- ▶ Click on “Get Help with Order” to send us a message directly.

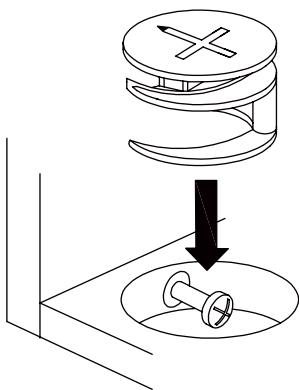
Our customer support team is ready to assist you and we will respond within
12-24 HOURS to resolve your concerns quickly!



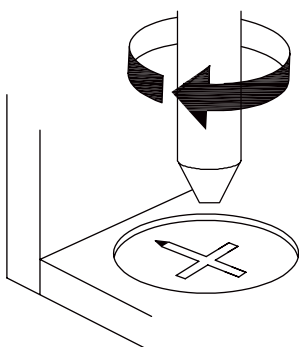
EN_QUICKFIT: Tighten quickfit until shoulder is flush with panel. Do not overtighten or undertighten.



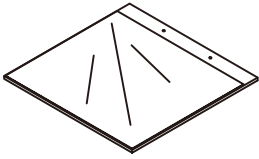
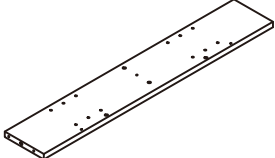
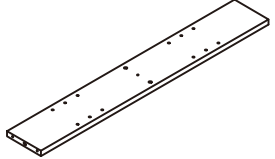
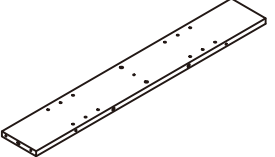
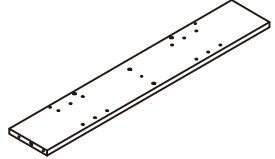
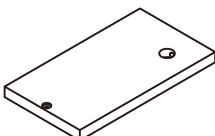
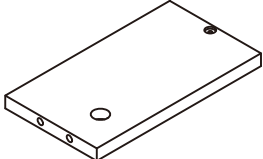
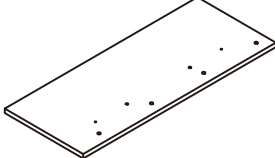
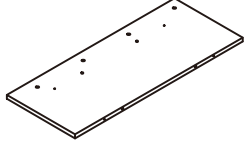
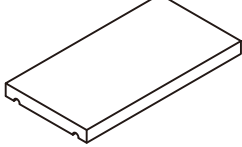
EN_CAM LOCK: When fitting cam lock, ensure starting position is correct before you insert connecting quickfit.

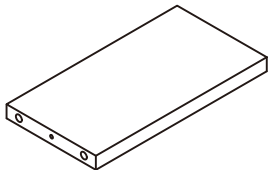
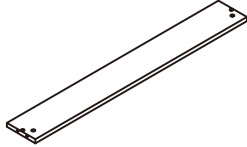
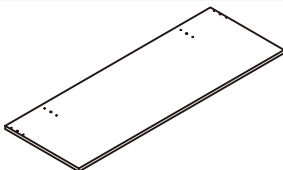
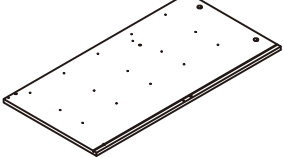
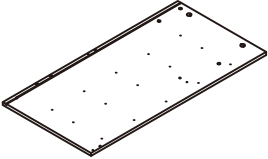
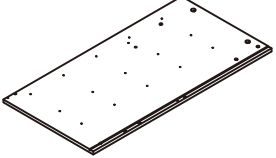
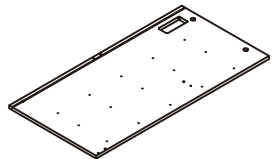
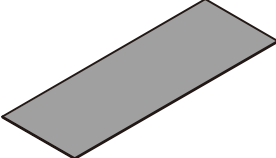
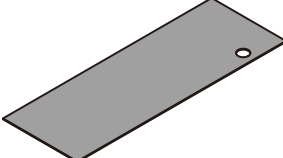
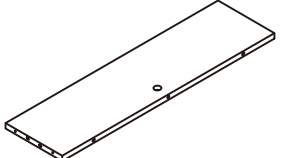


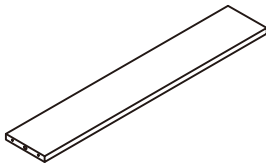
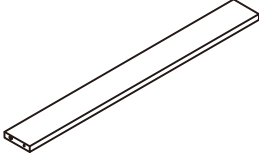
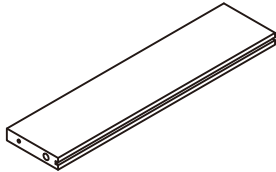
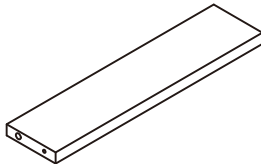
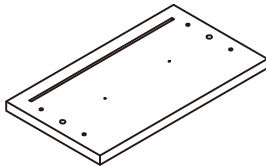
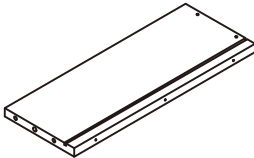
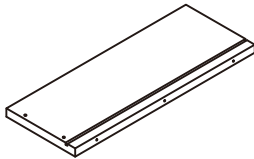
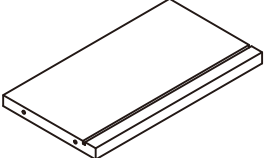
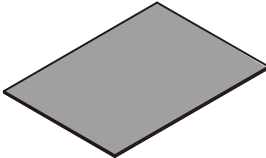
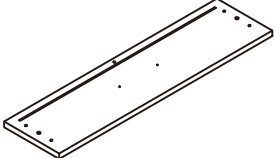
EN_Quickfit head should be in the centre of the cam lock when the two panels are joined.
Cam lock should be inserted before quickfit.

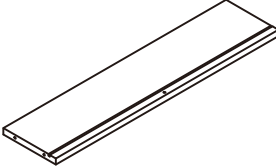
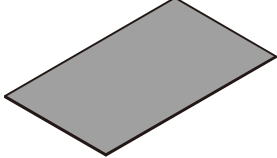
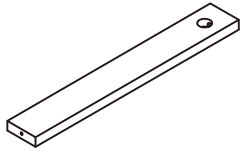
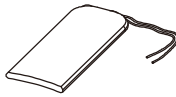


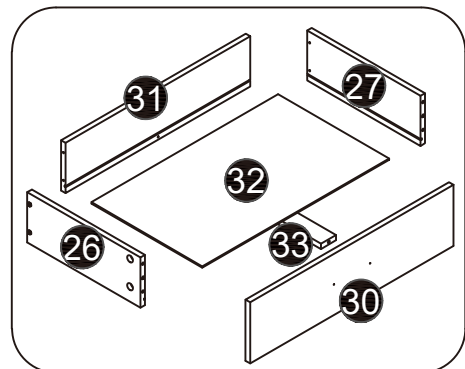
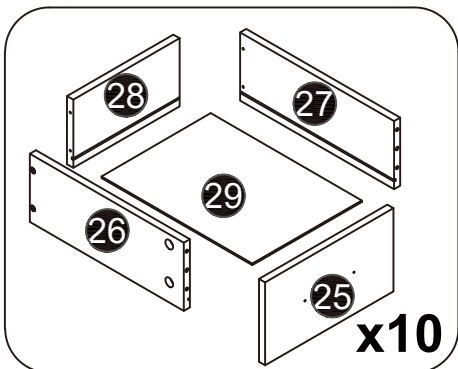
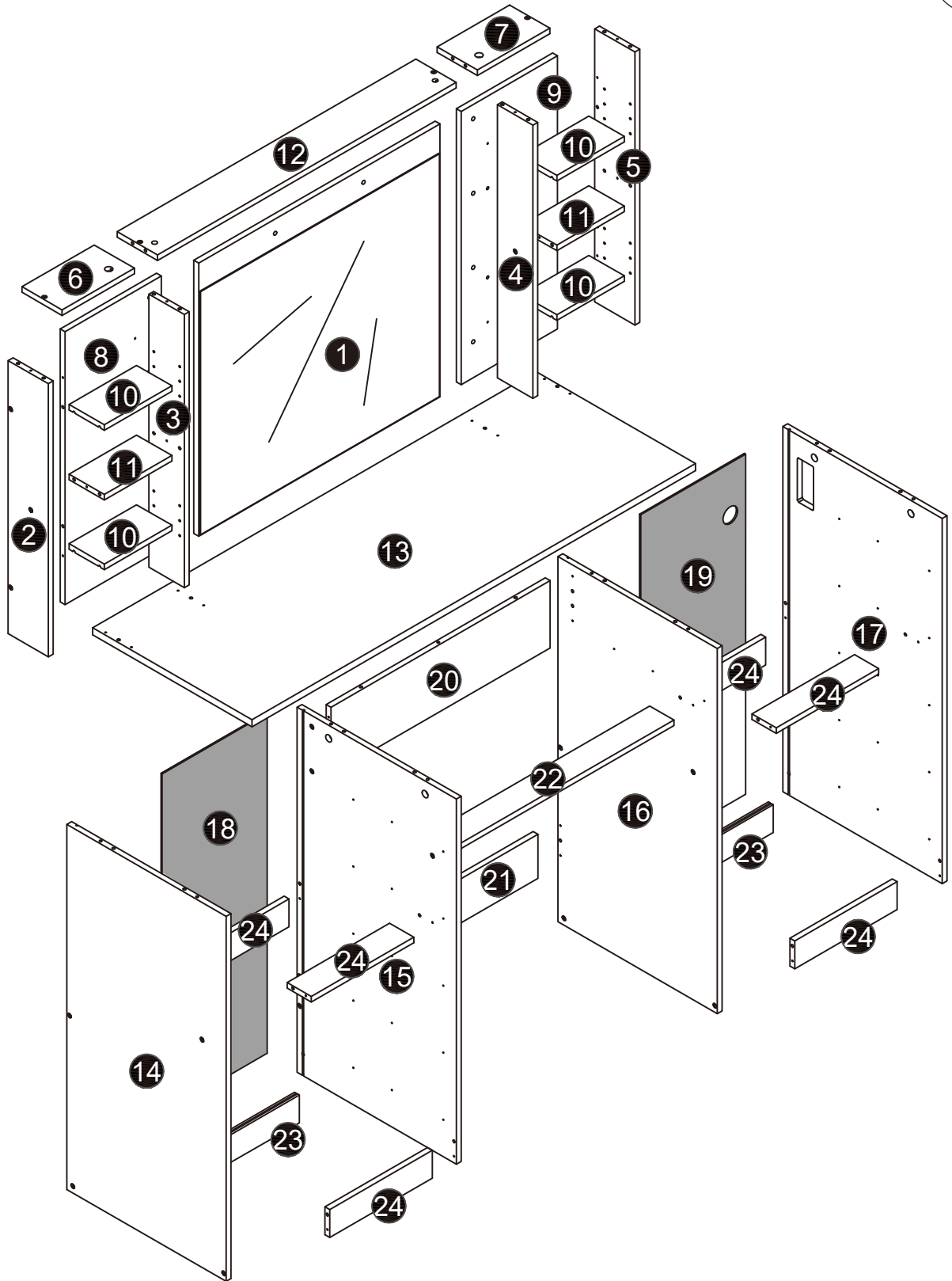
EN_Turn cam lock clockwise to tighten.

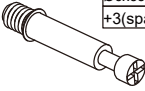

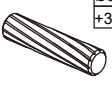
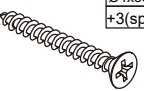
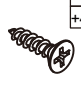
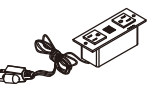










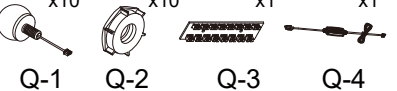




NO.		QTY	SPARE
1		x1	
2		x1	
3		x1	
4		x1	
5		x1	
6		x1	
7		x1	
8		x1	
9		x1	
10		x4	

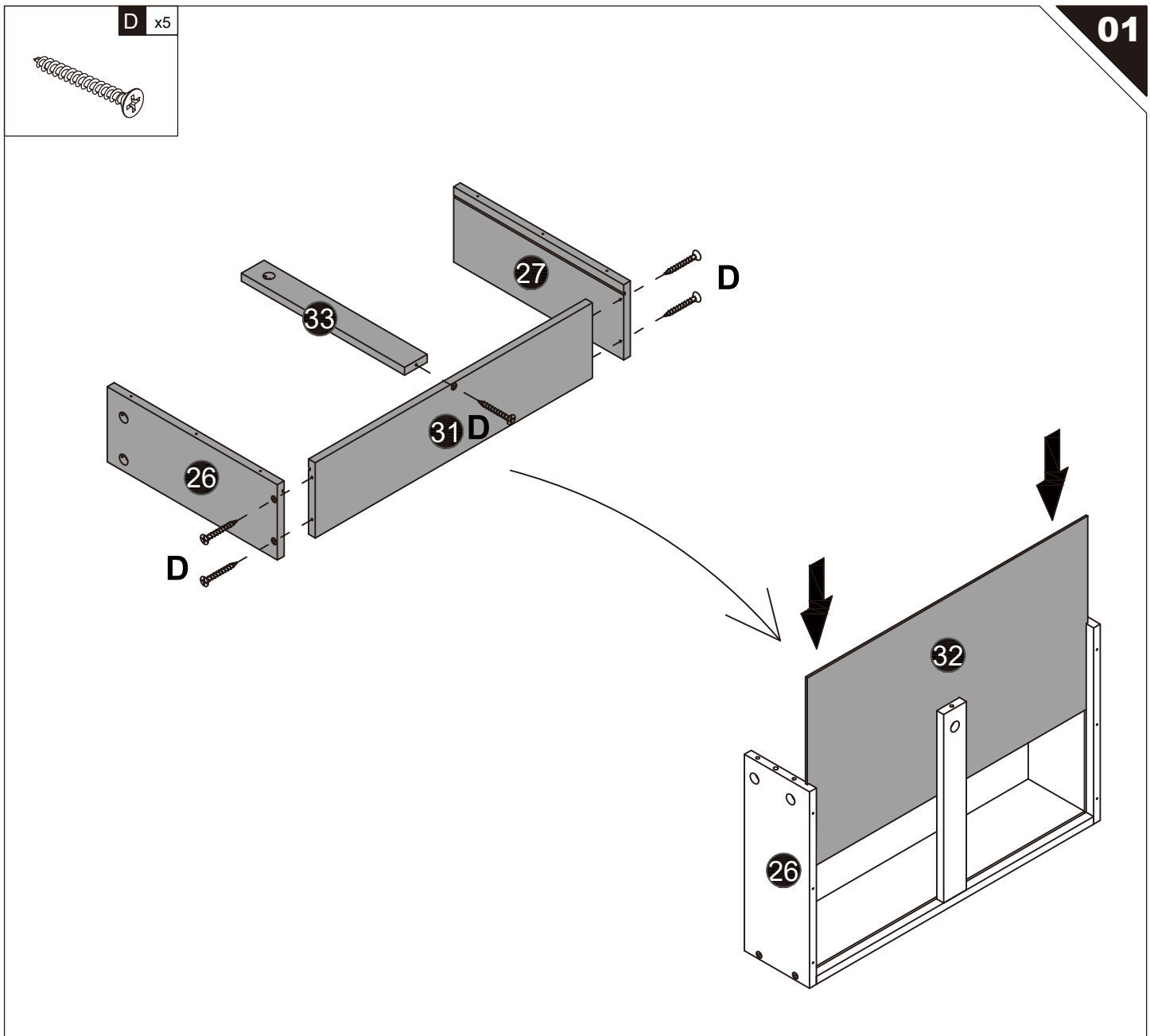
NO.		QTY	SPARE
11		x2	
12		x1	
13		x1	
14		x1	
15		x1	
16		x1	
17		x1	
18		x1	
19		x1	
20		x1	

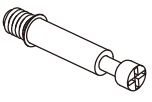

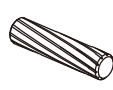





NO.		QTY	SPARE
21		x1	
22		x1	
23		x2	
24		x6	
25		x10	
26		x11	
27		x11	
28		x10	
29		x10	
30		x1	

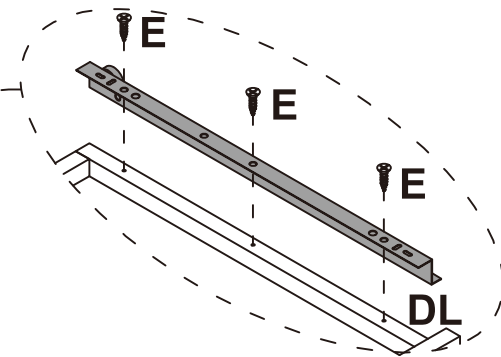
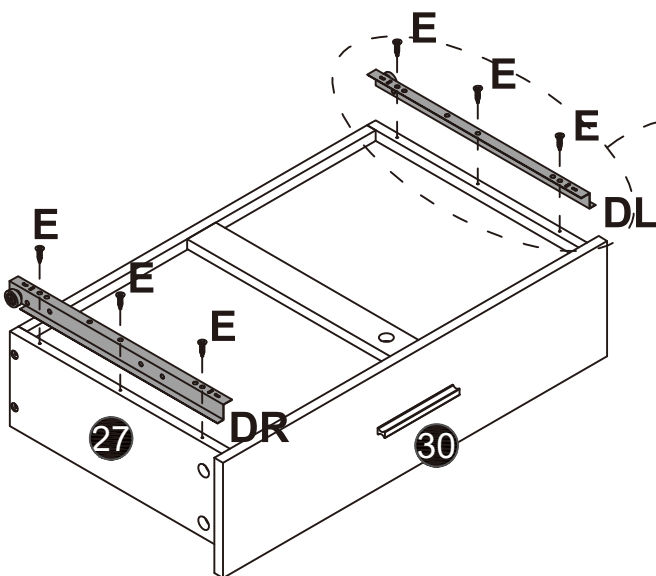
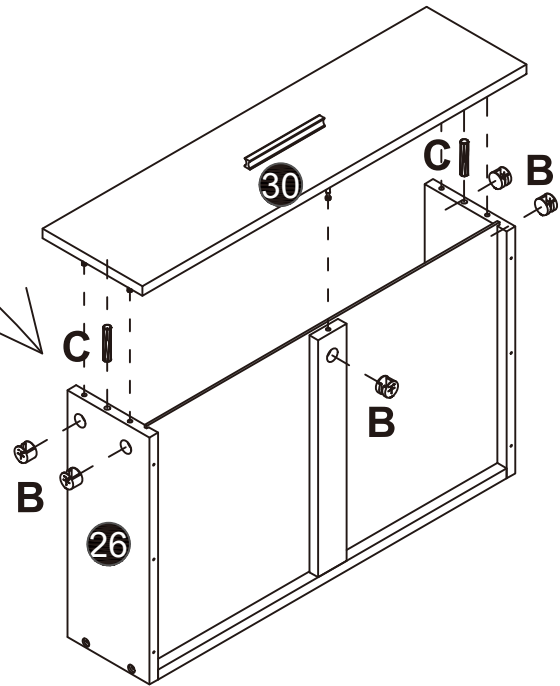
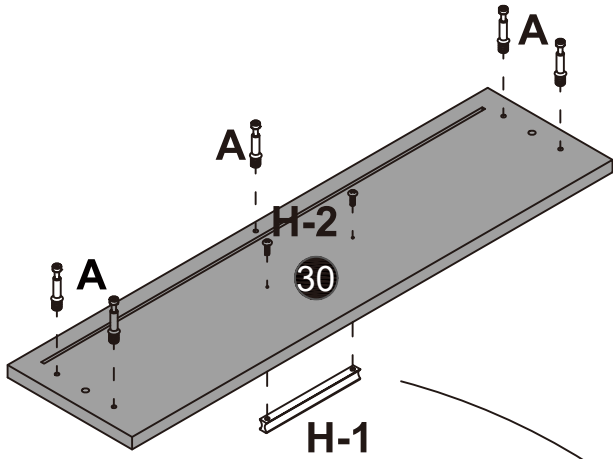
NO.		QTY	SPARE
31		x1	
32		x1	
33		x1	
	 Hardware Kit	x1	

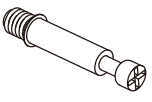

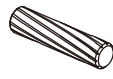
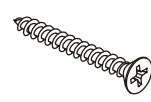







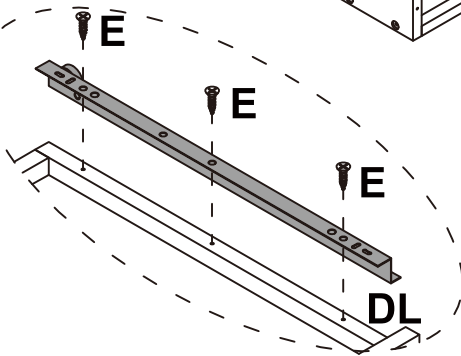
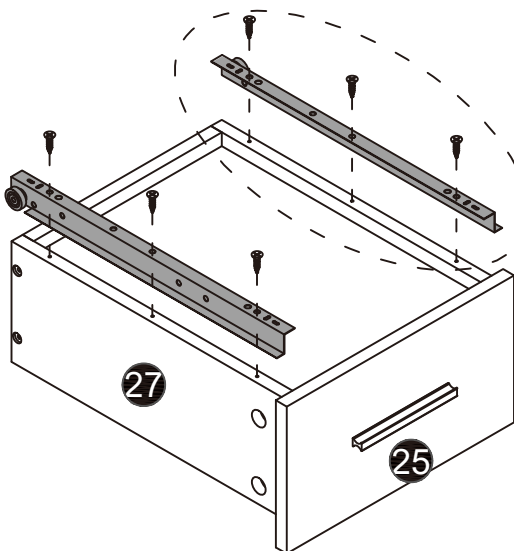
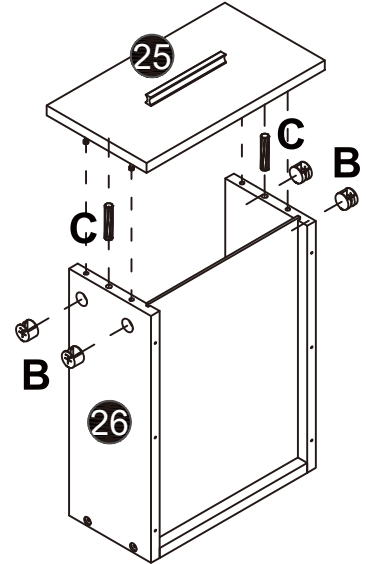
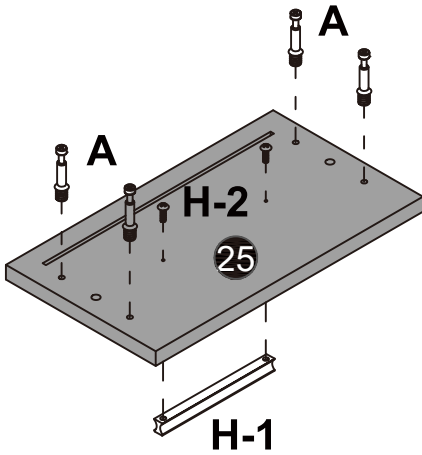
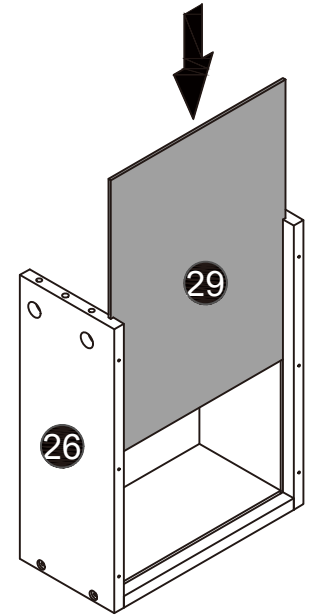
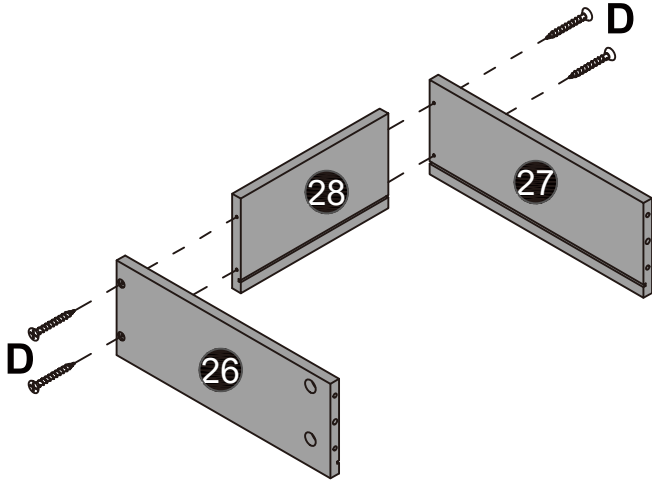
<p>A x54 Ø6x35mm +3(spare)</p> 	<p>B x56 Ø15x10mm +3(spare)</p> 	<p>C x86 Ø6x30mm +3(spare)</p> 	<p>D x97 Ø4x35mm +3(spare)</p> 	<p>E x134 Ø3.5x12mm +4(spare)</p> 	<p>F x1</p> 
<p>G x2</p> 	<p>H x11</p> <p>H-1 H-2</p> 	<p>I x2</p> <p>I-1 I-2 I-3</p> 	<p>J x8 Ø3x16mm</p> <p>J-1 J-2</p> 	<p>K x6</p> <p>K-1 K-2</p> 	<p>L x1</p> <p>L-1 L-2</p> 
<p>M x2</p> 	<p>N x2</p> 	<p>O x16</p> 	<p>P x32 +3(spare)</p> 	<p>Q x1</p> <p>Q-1 x10 Q-2 x10 Q-3 x1 Q-4 x1</p> 	
<p>CL x11 L300mm</p> 	<p>CR x11 L300mm</p> 	<p>DL x11 L300mm</p> 	<p>DR x11 L300mm</p> 		



<p>A x5</p> 	<p>B x5</p> 	<p>C x2</p> 	<p>E x6</p> 	<p>H x1</p> <p>H-1  H-2 </p>
<p>DL x1</p> 	<p>DR x1</p> 			



A x40 	B x40 	C x20 	D x40 	E x60 
H x10  	DL x10 	DR x10 		

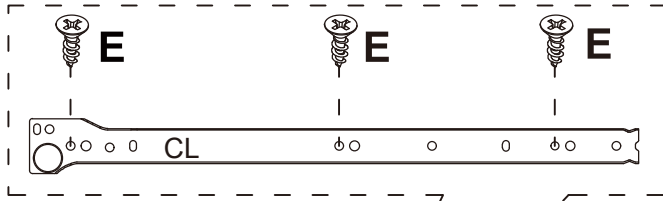


x10

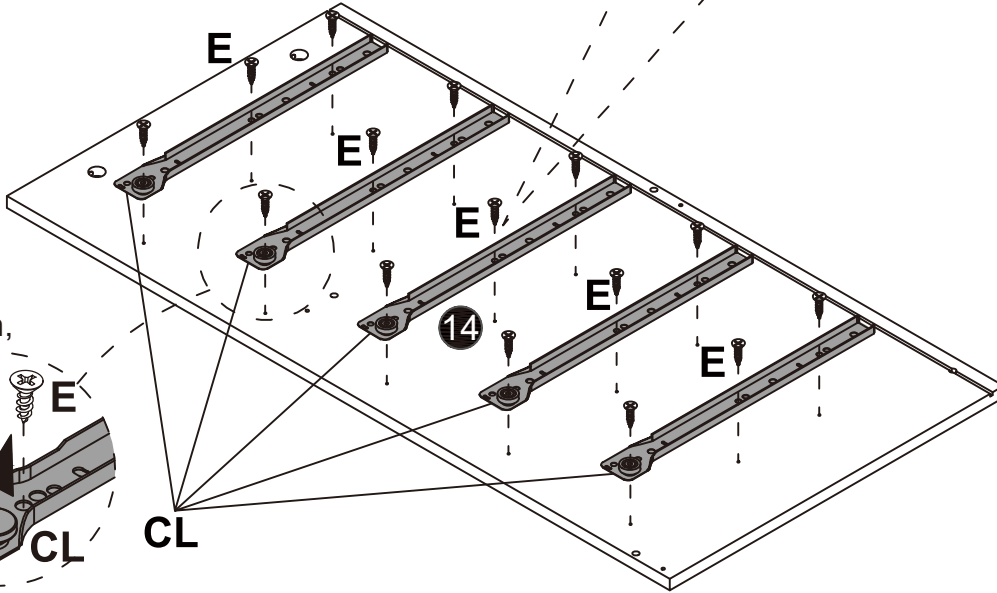
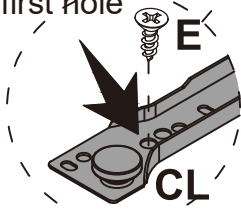
E x15



CL x5



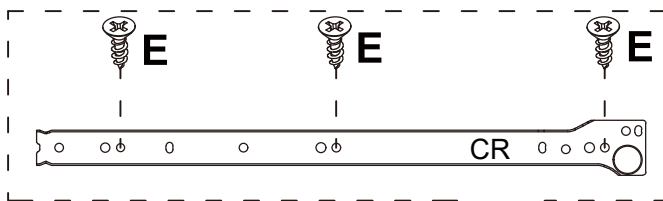
Attention,
first hole



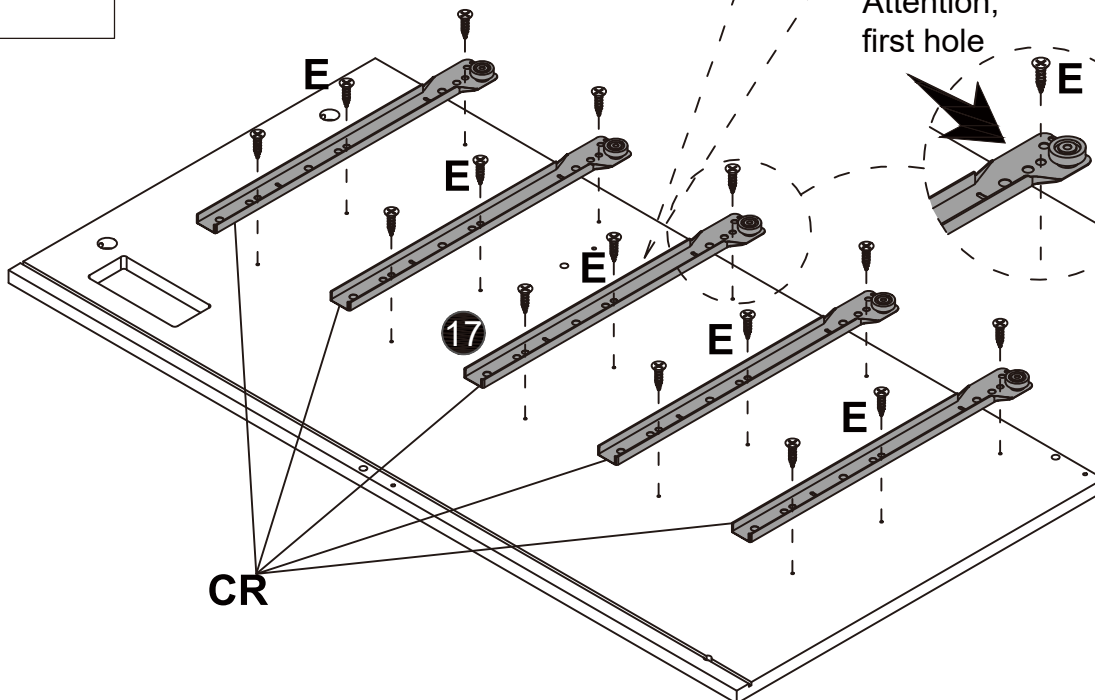
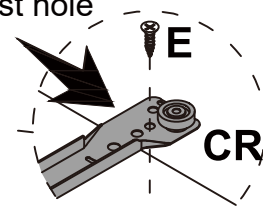
E x15



CR x5



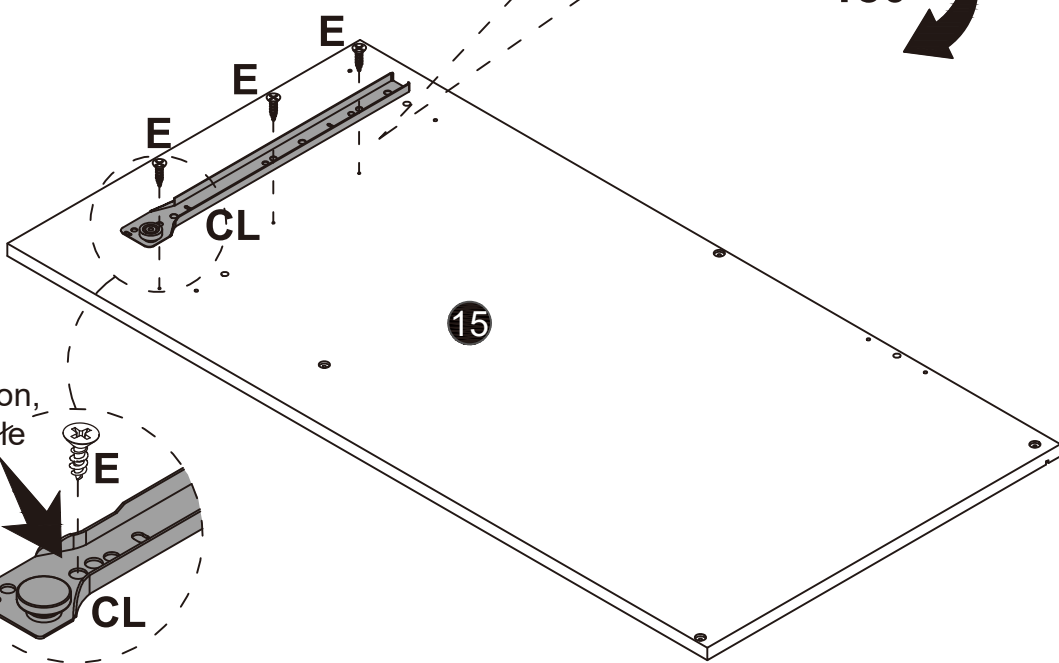
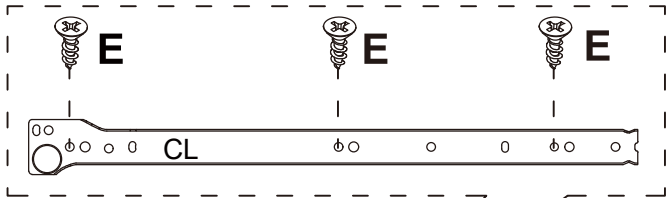
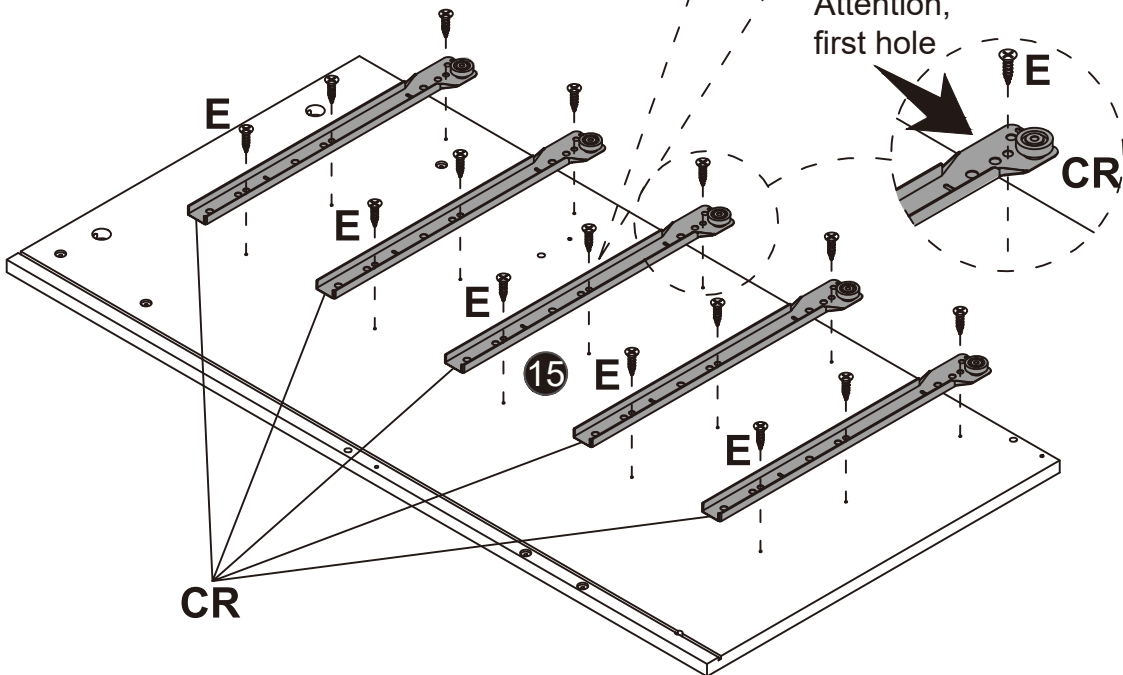
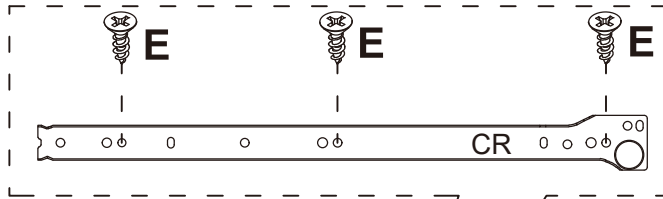
Attention,
first hole



E x18

CL x1

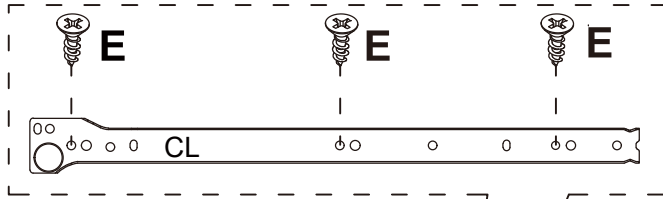
CR x5



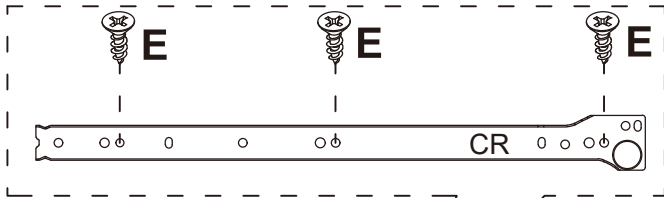
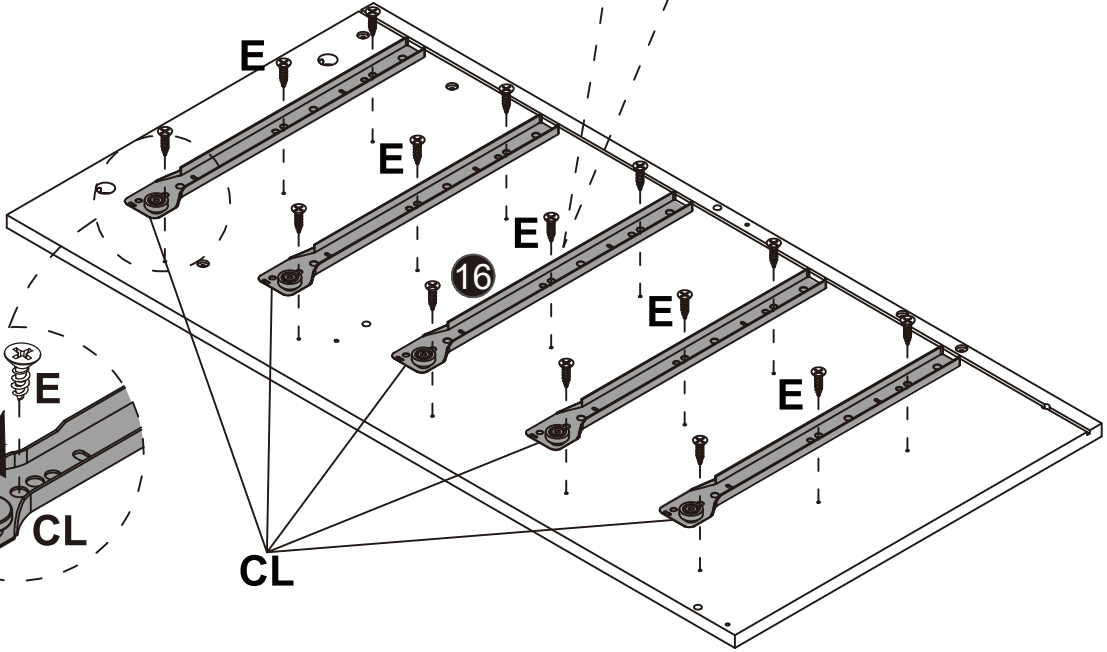
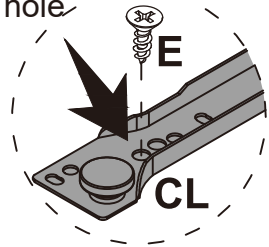
E x18

CL x5

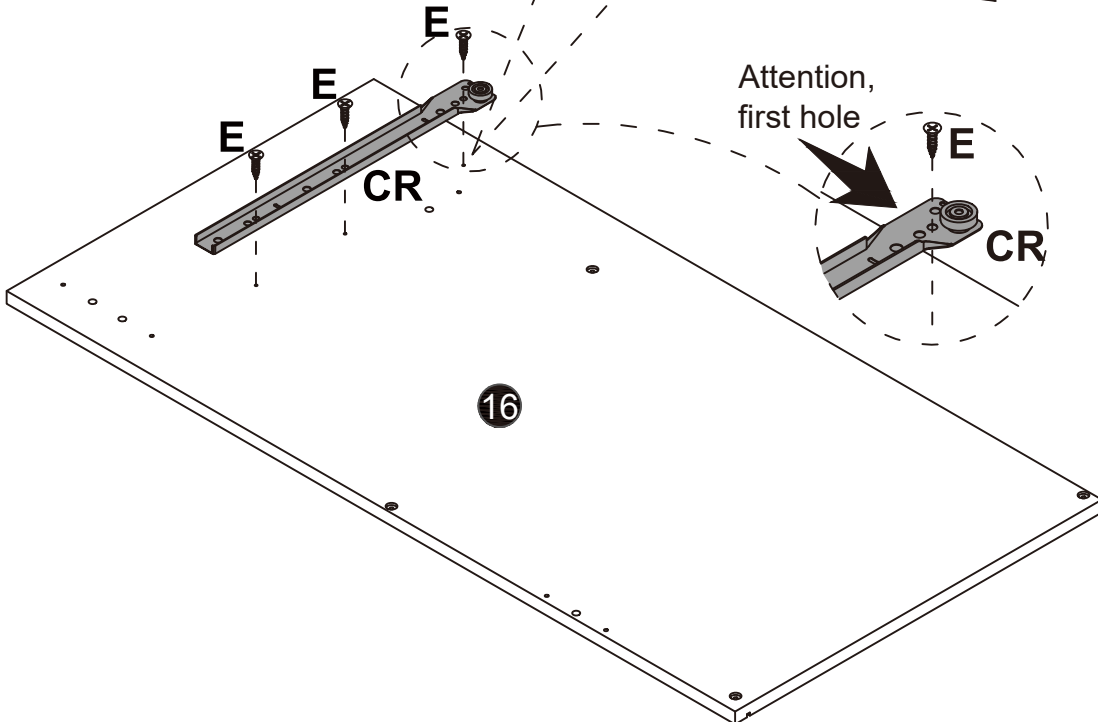
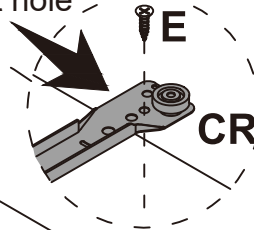
CR x1



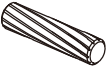
Attention, first hole



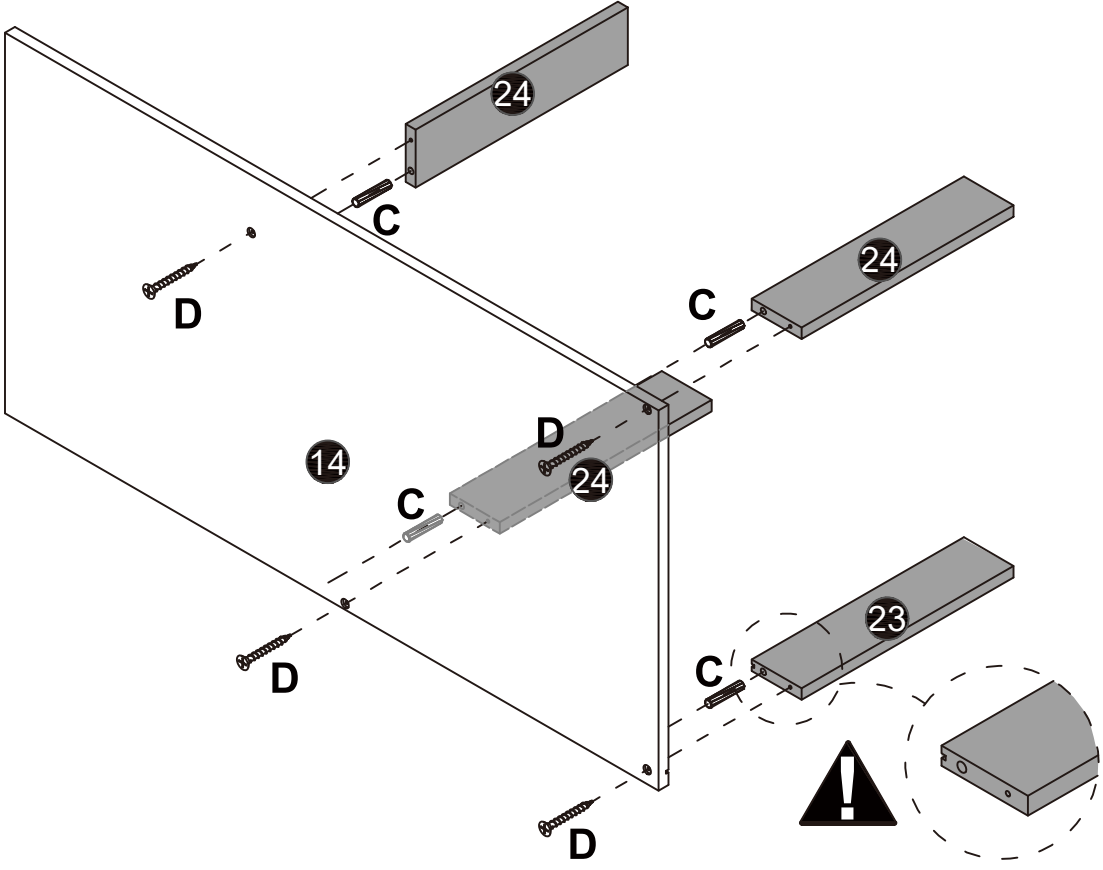
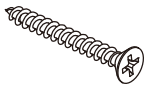
Attention, first hole



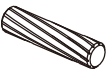
C x4



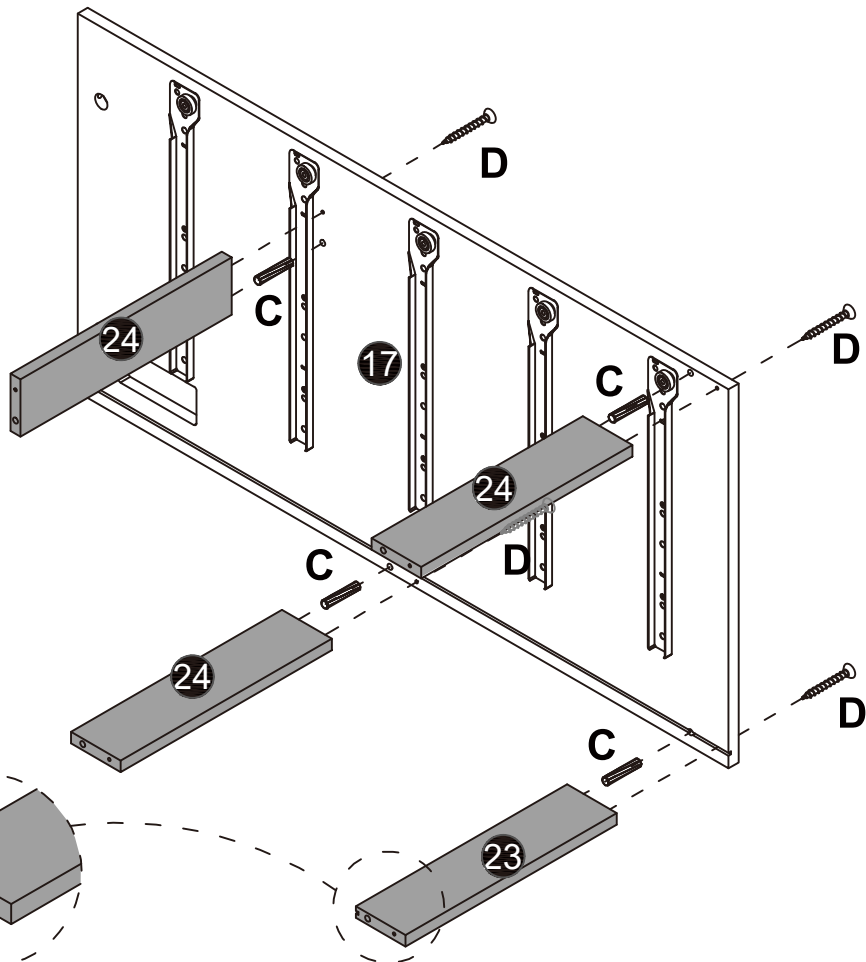
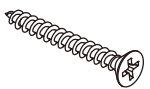
D x4



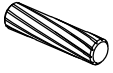
C x4



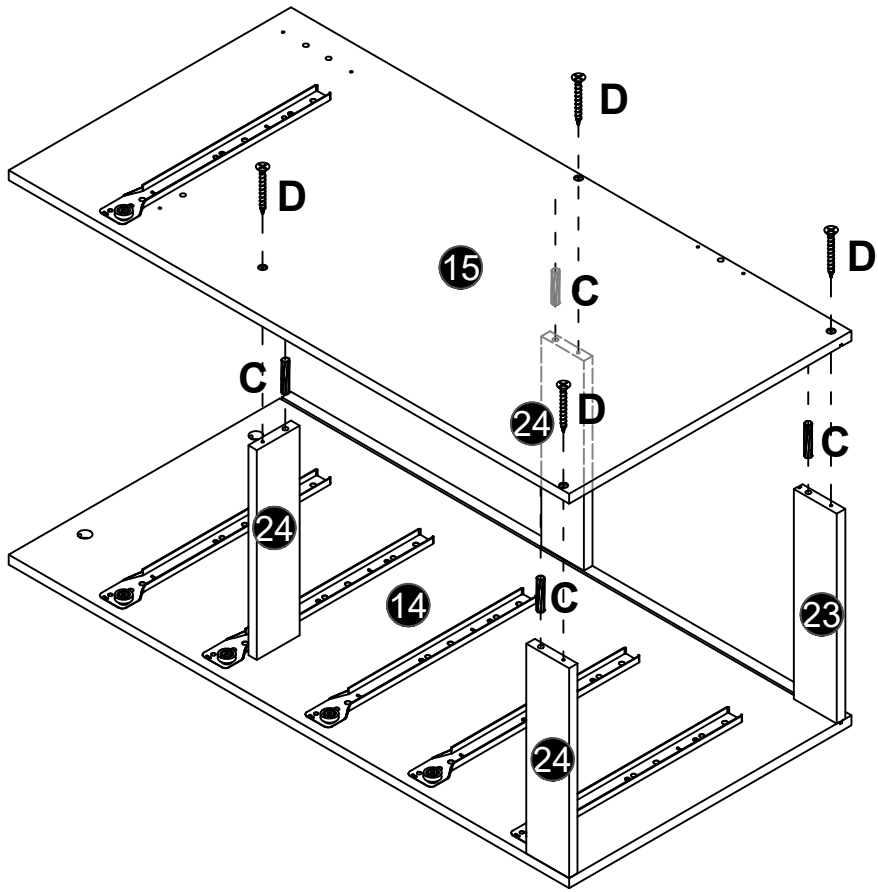
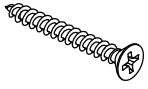
D x4



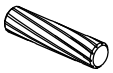
C x4



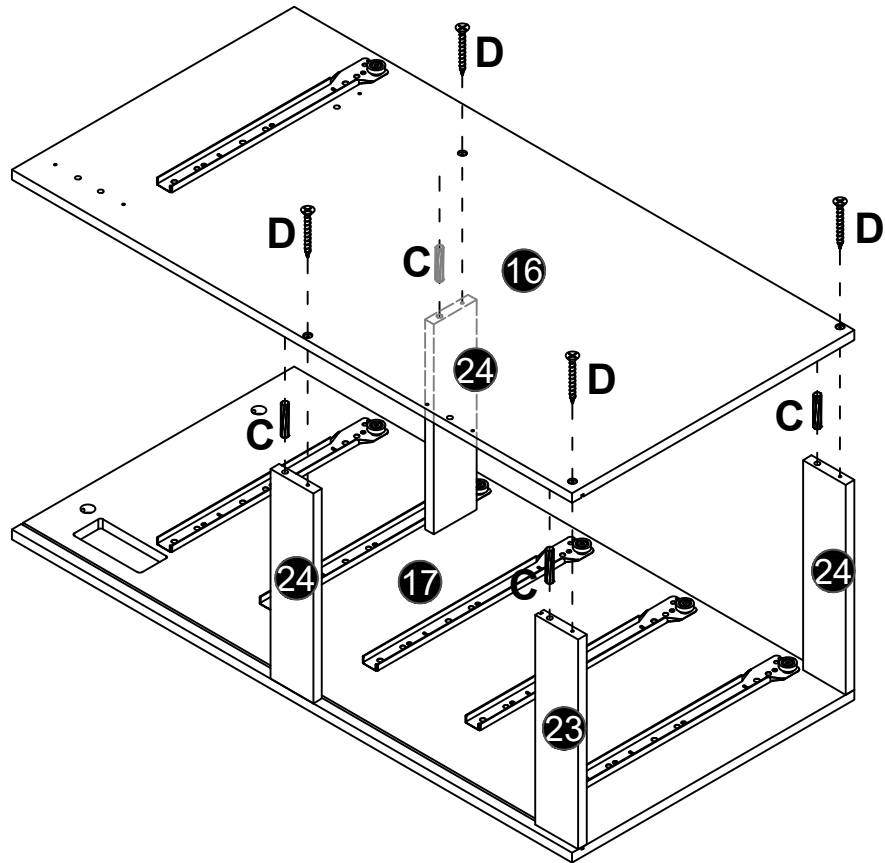
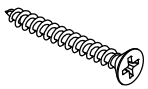
D x4



C x4

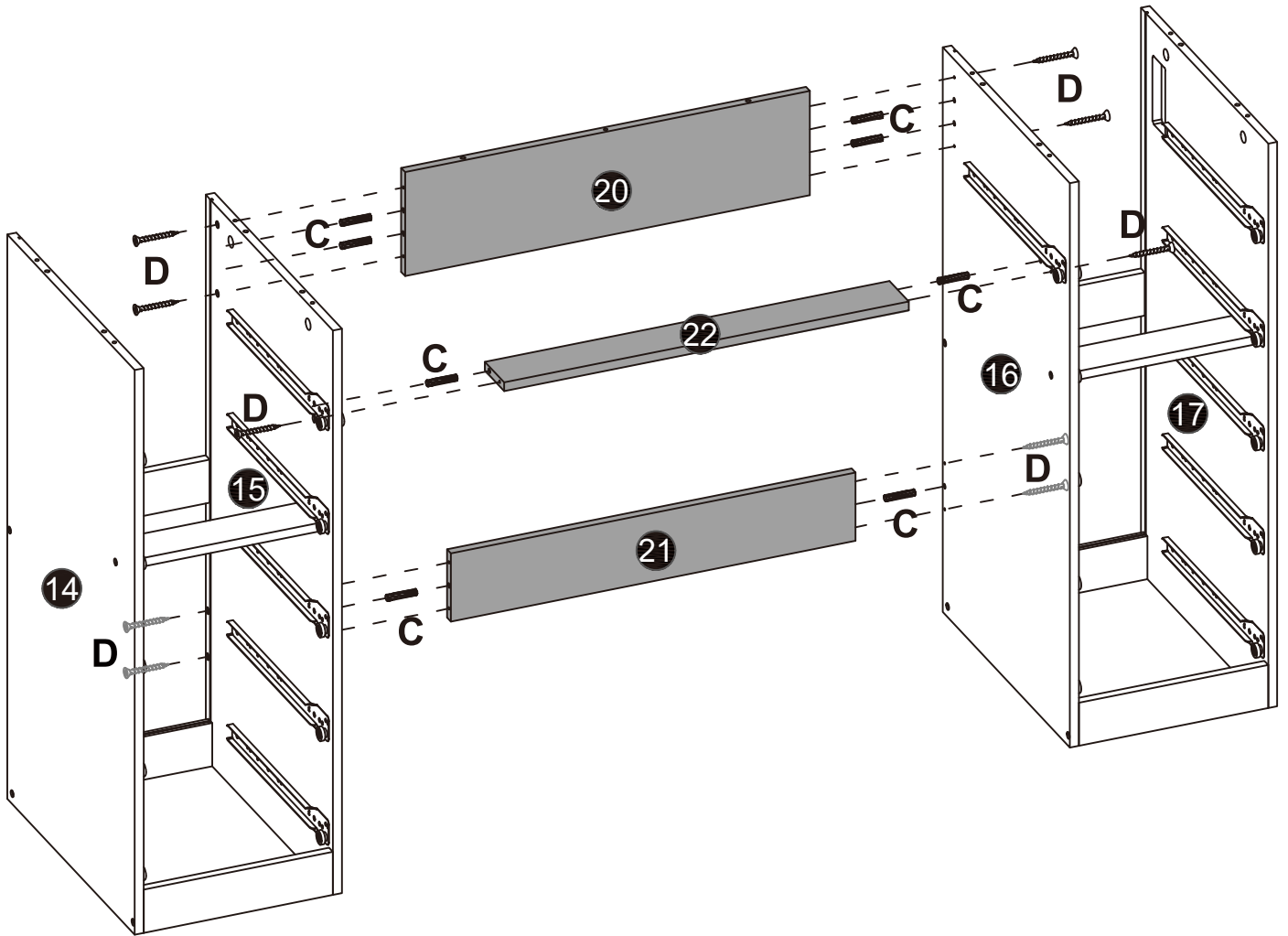
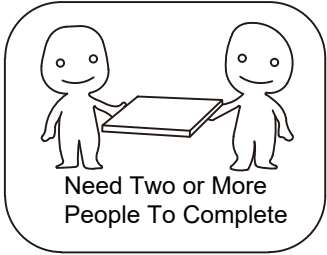
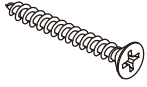
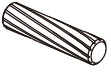


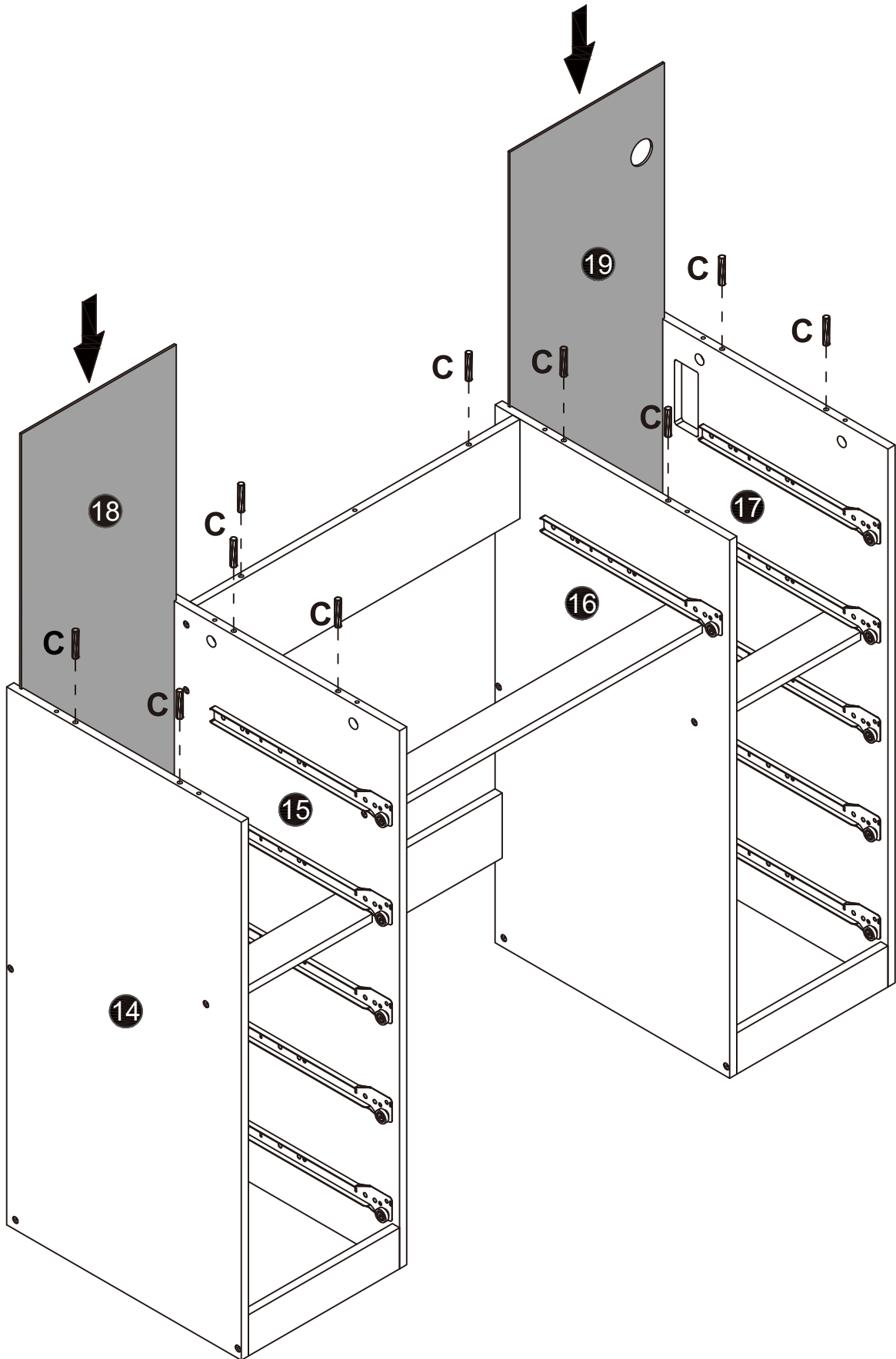
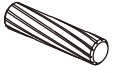
D x4



C x8

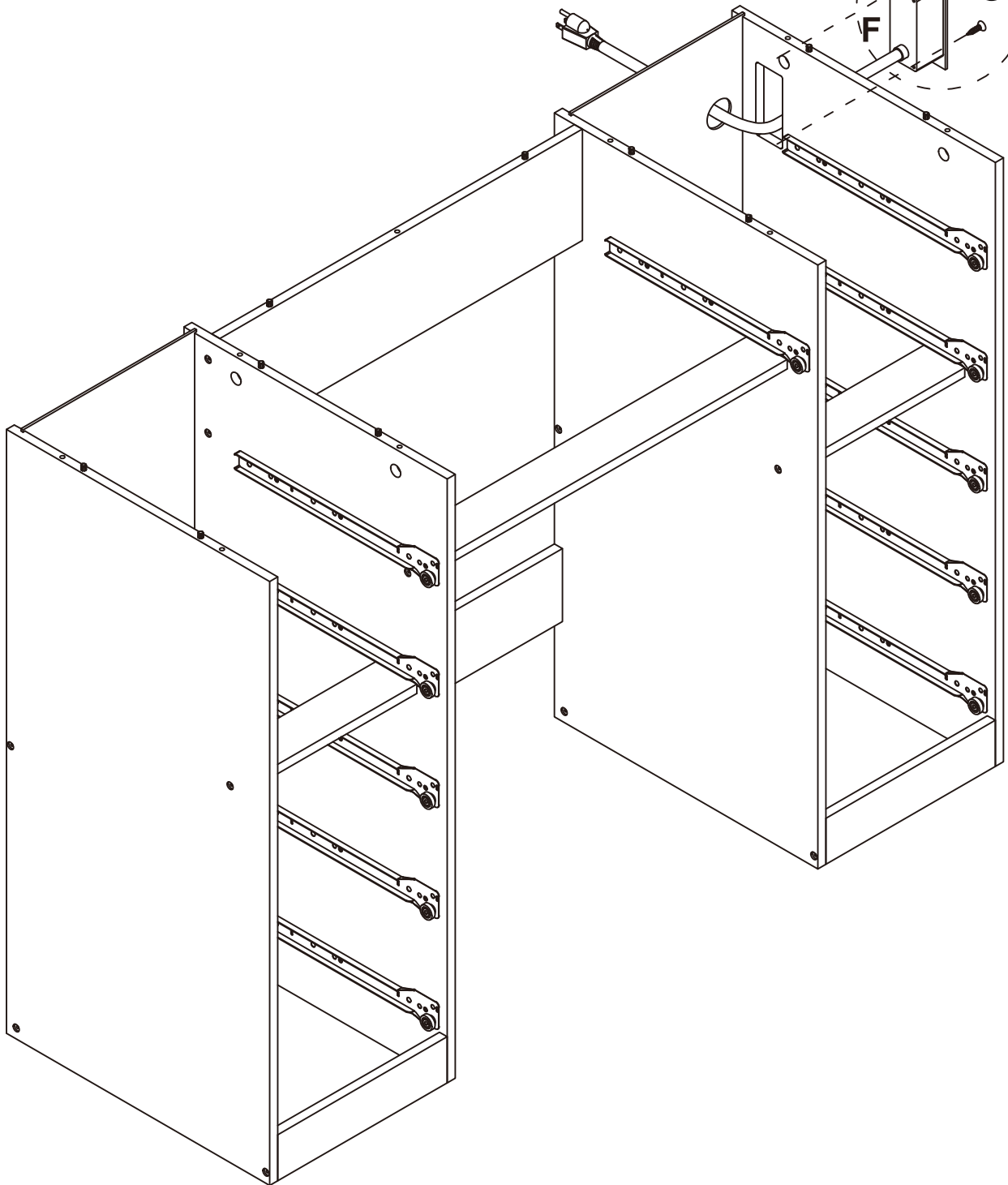
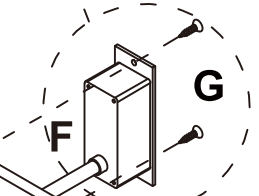
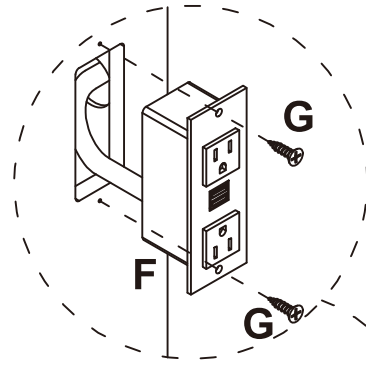
D x10





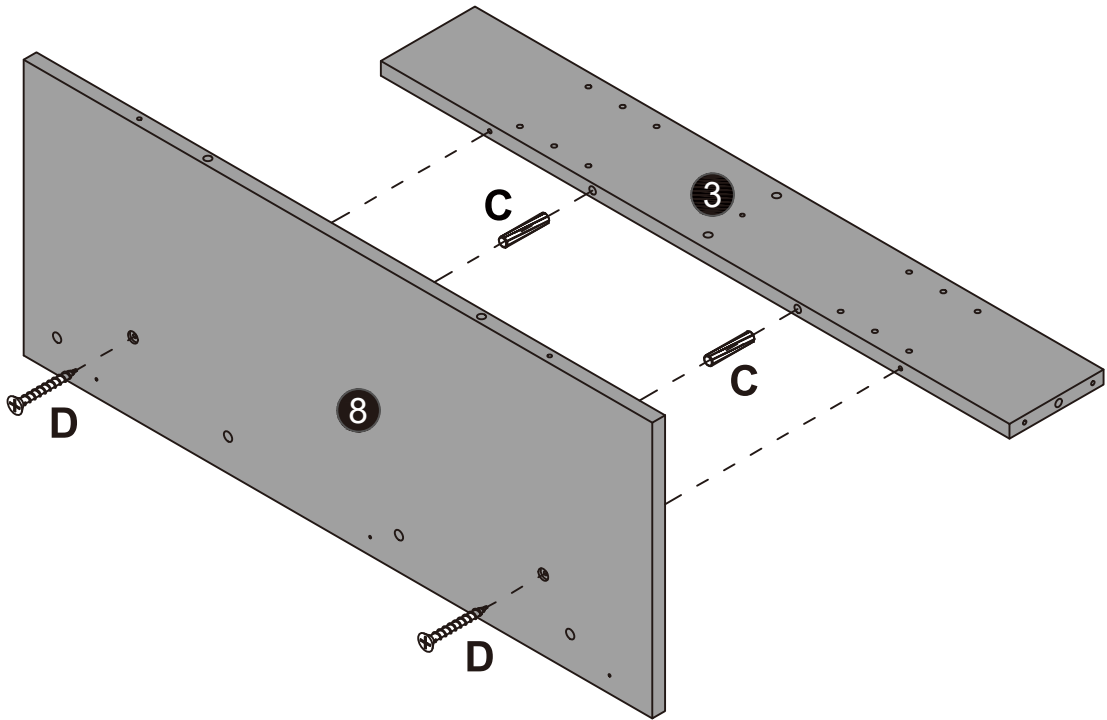
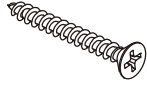
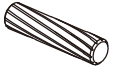
F x1

G x2



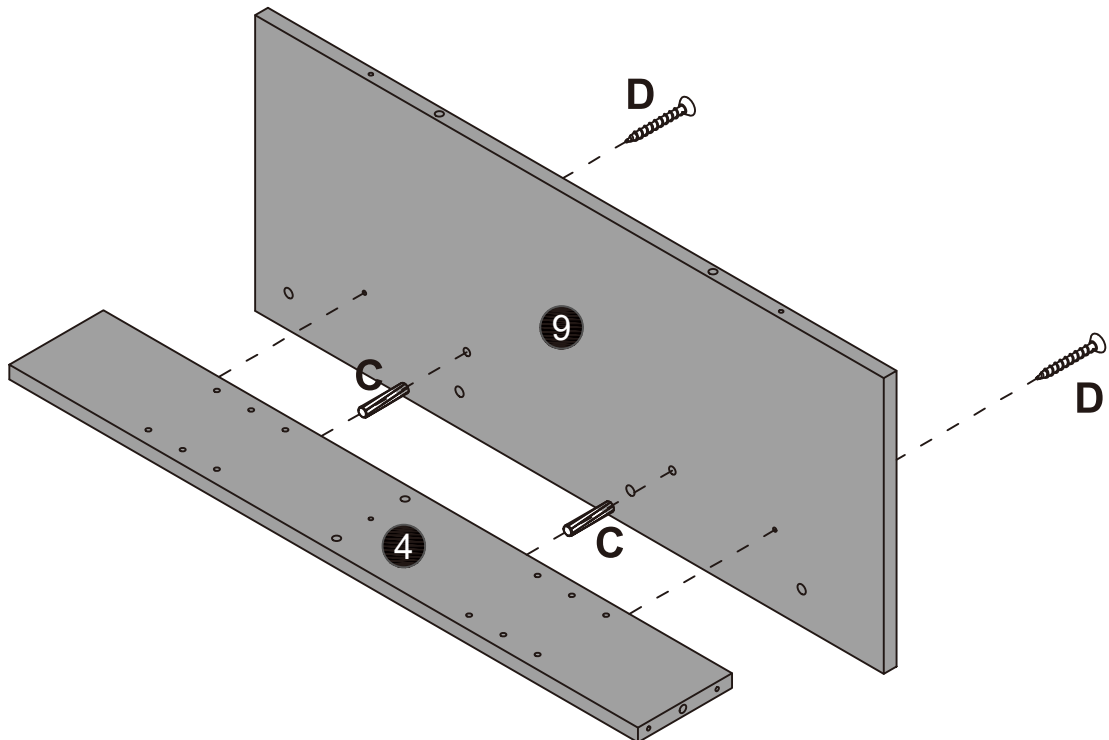
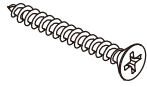
C x2

D x2



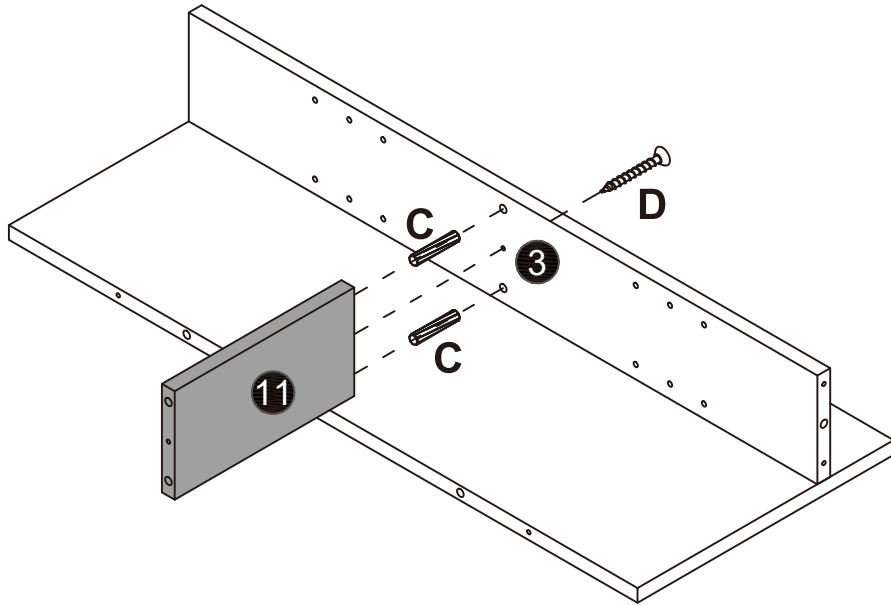
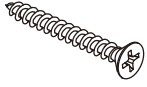
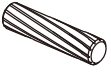
C x2

D x2



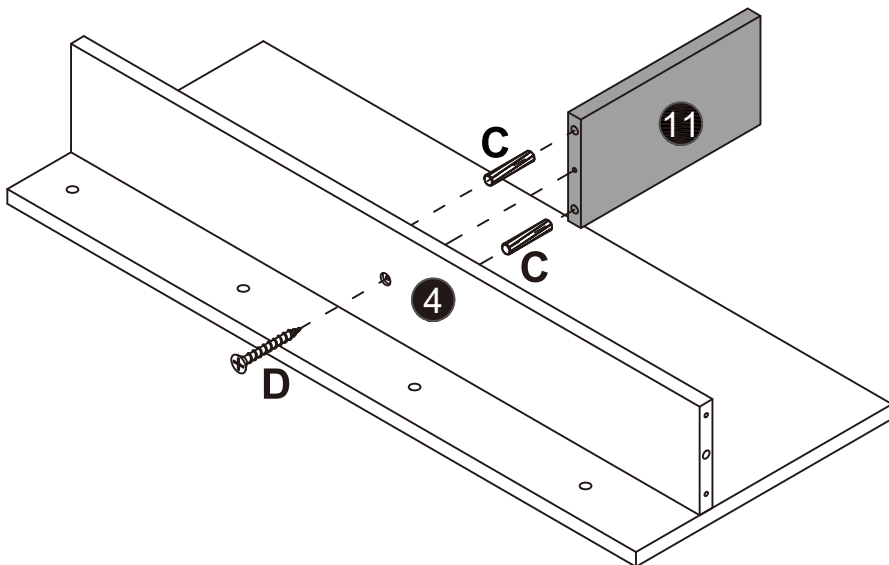
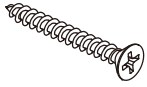
C x2

D x1



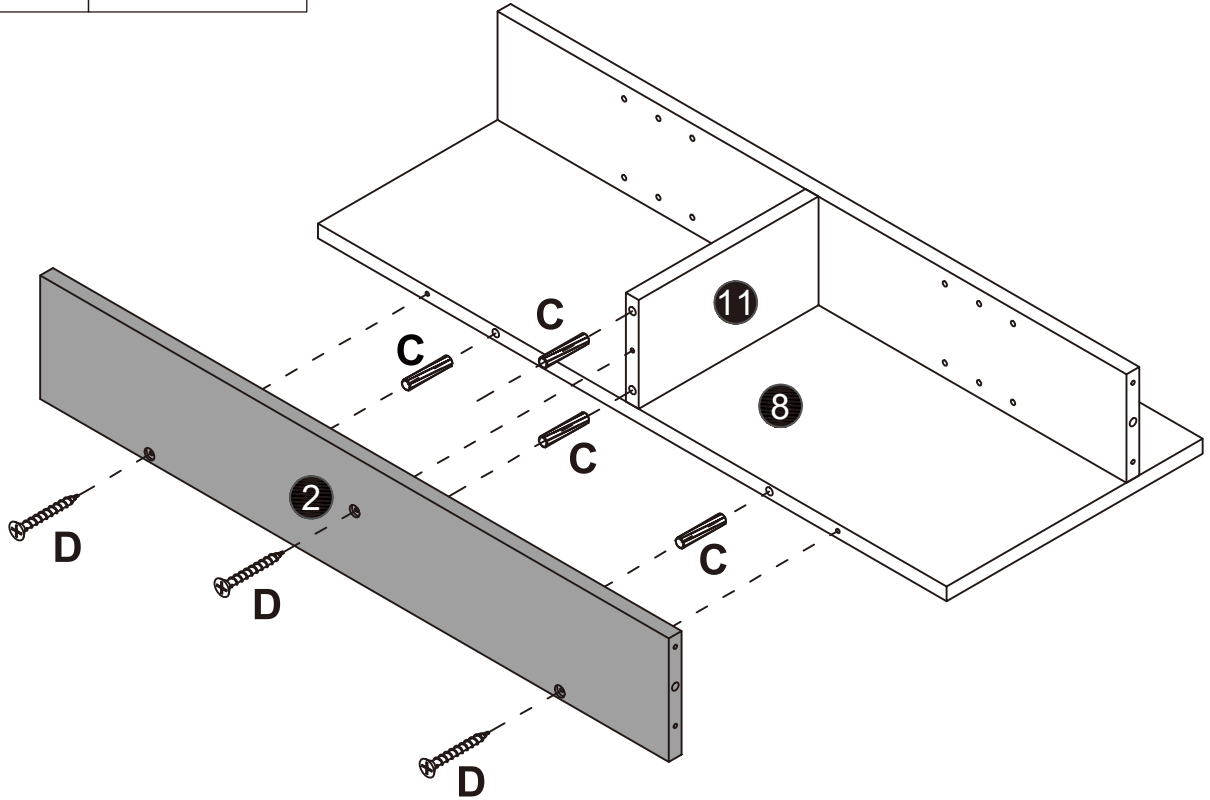
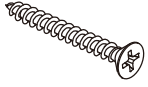
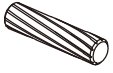
C x2

D x1



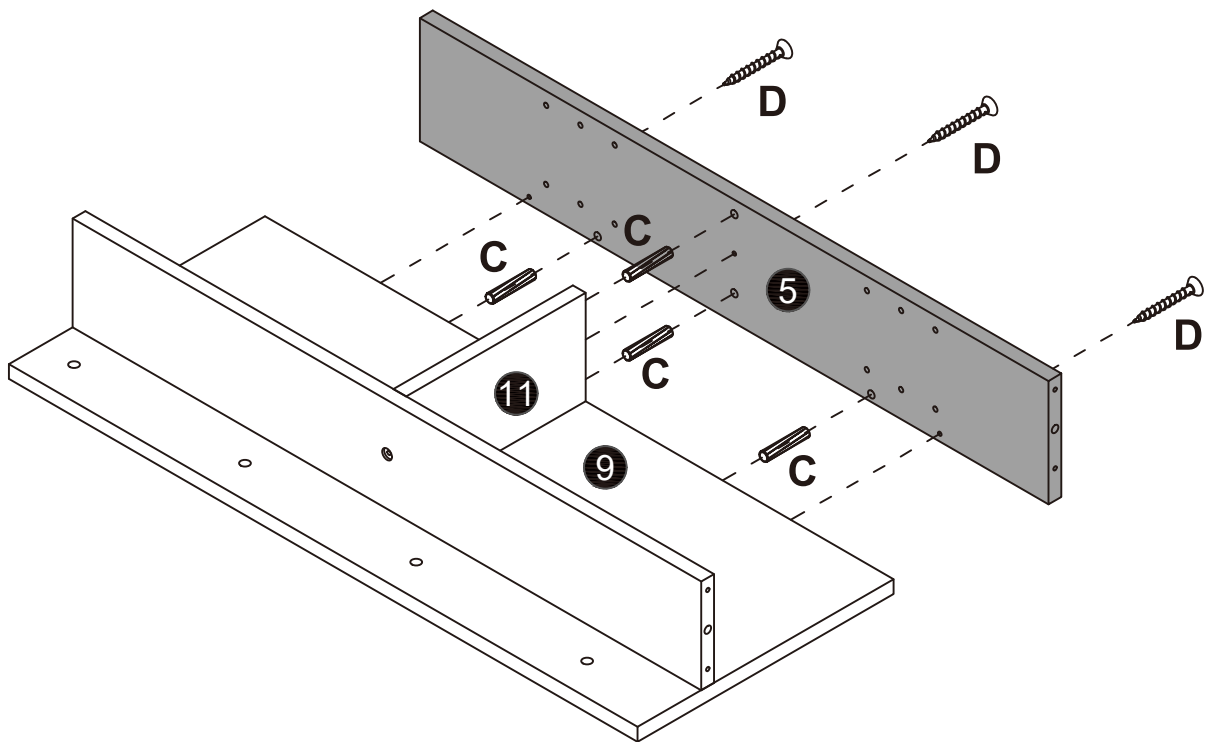
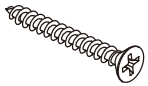
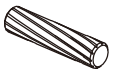
C x4

D x3



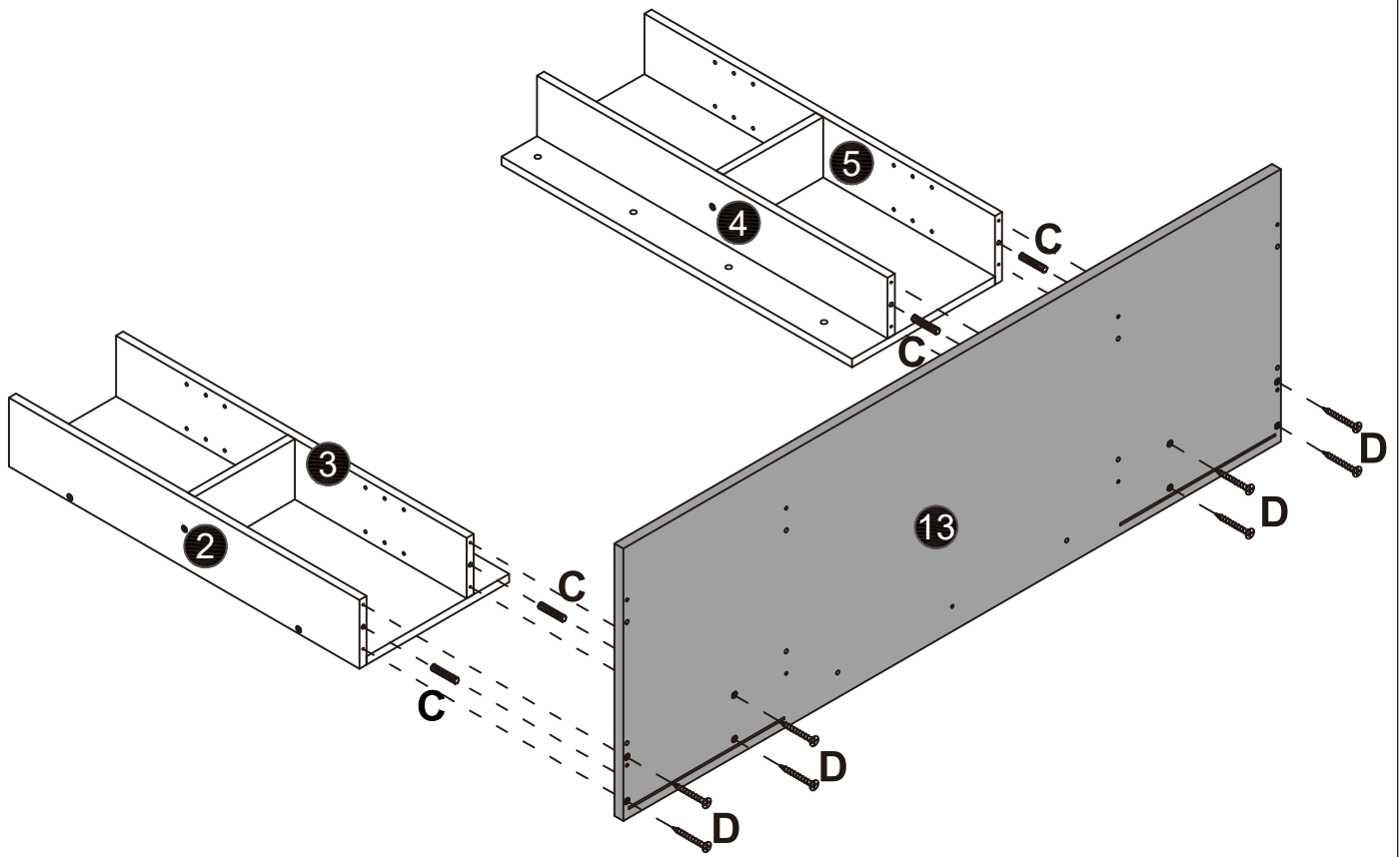
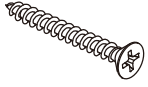
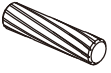
C x4

D x3

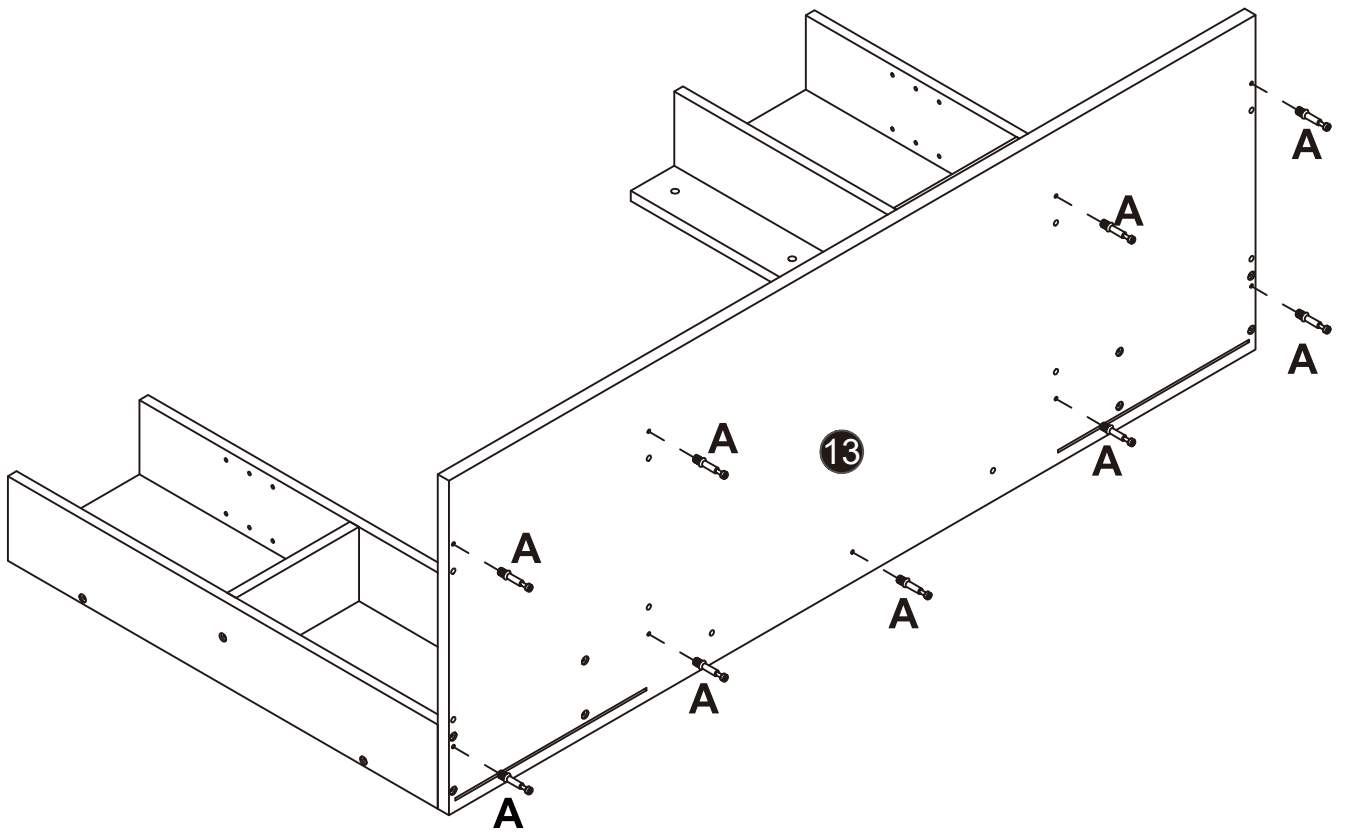
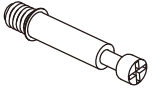


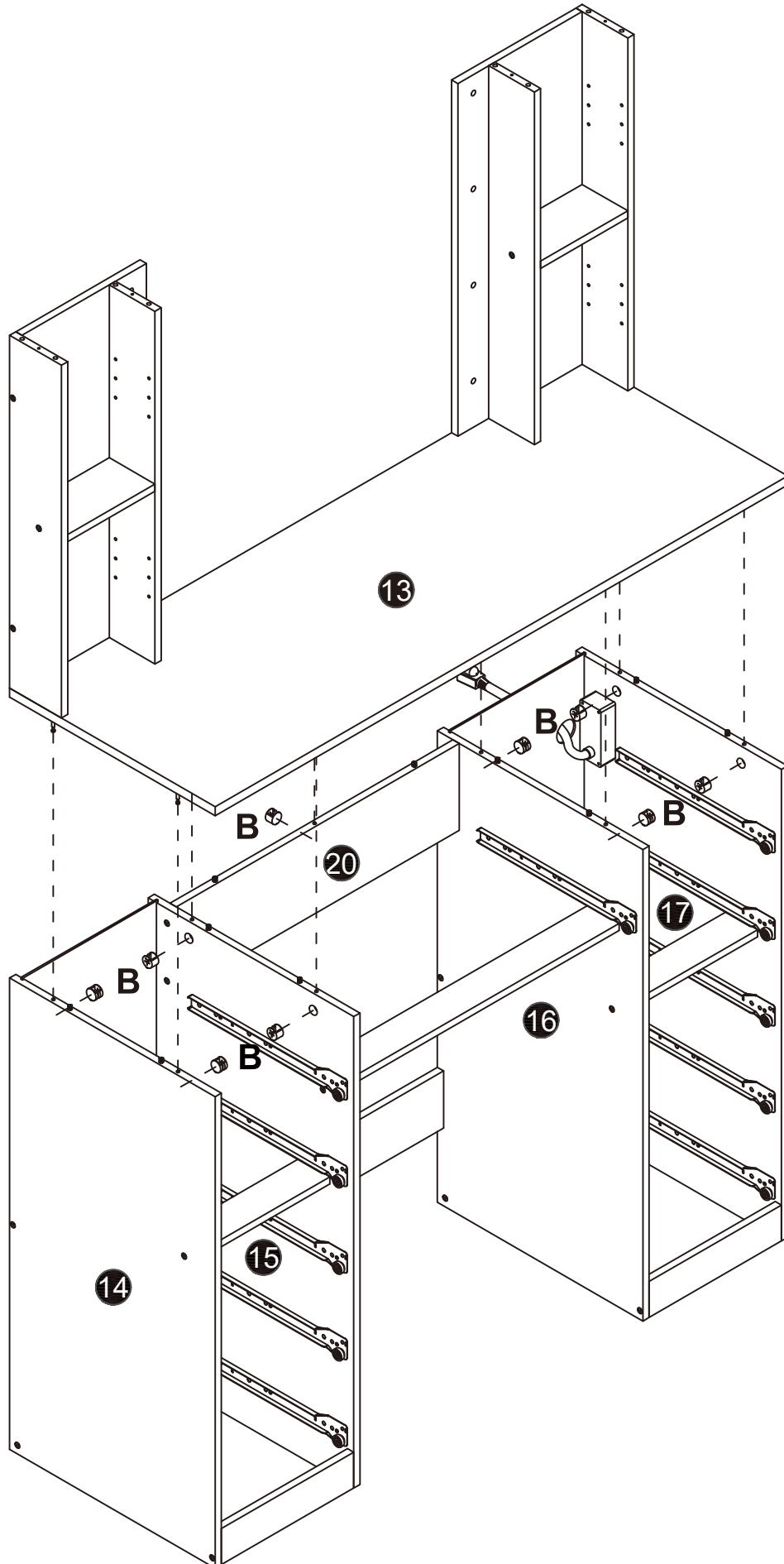
C x4

D x8



A x9

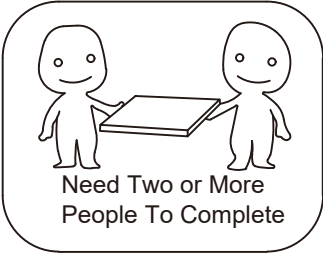




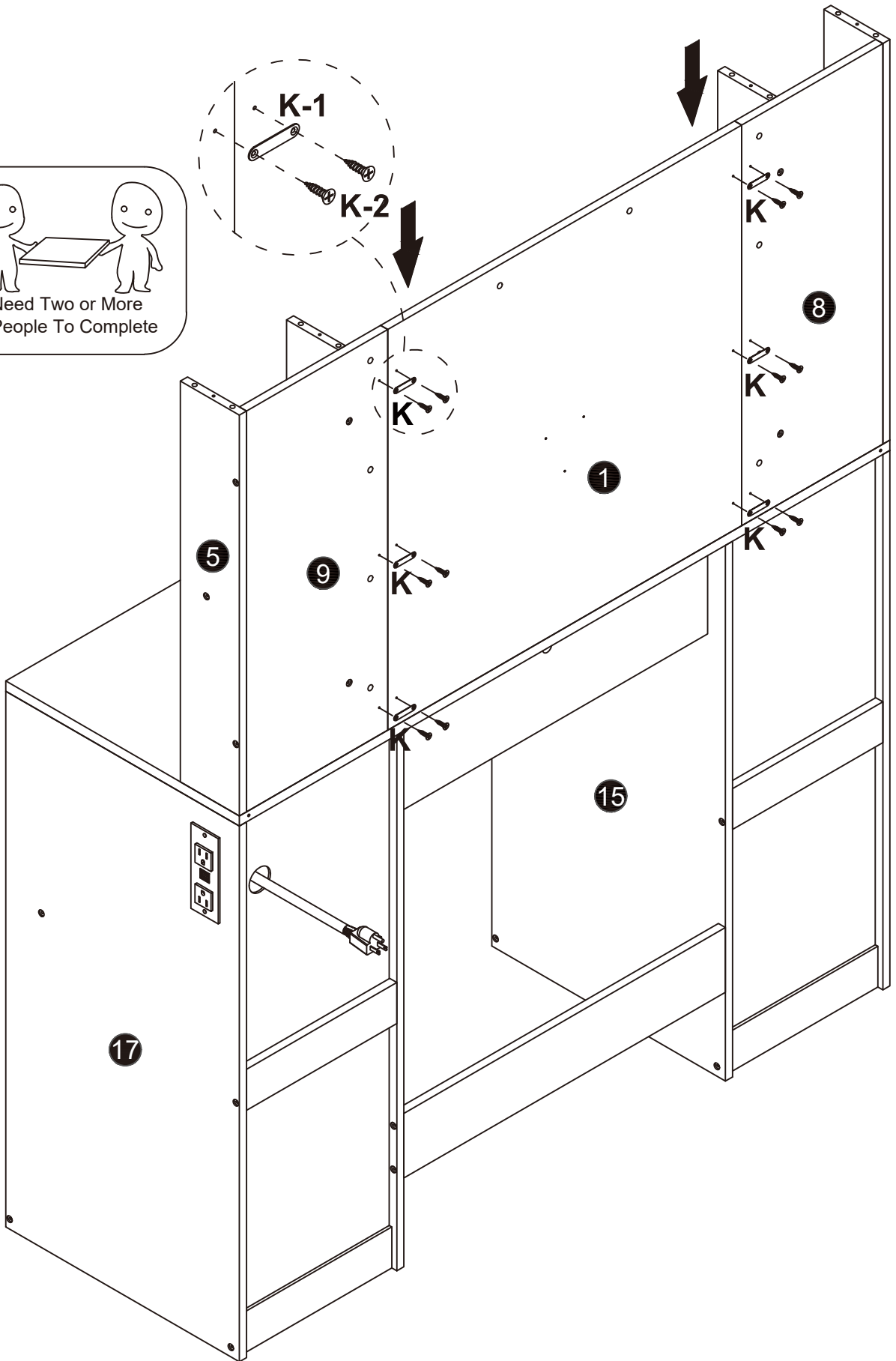
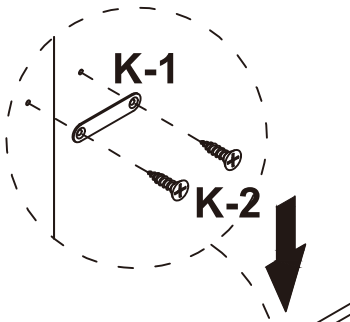
K x6



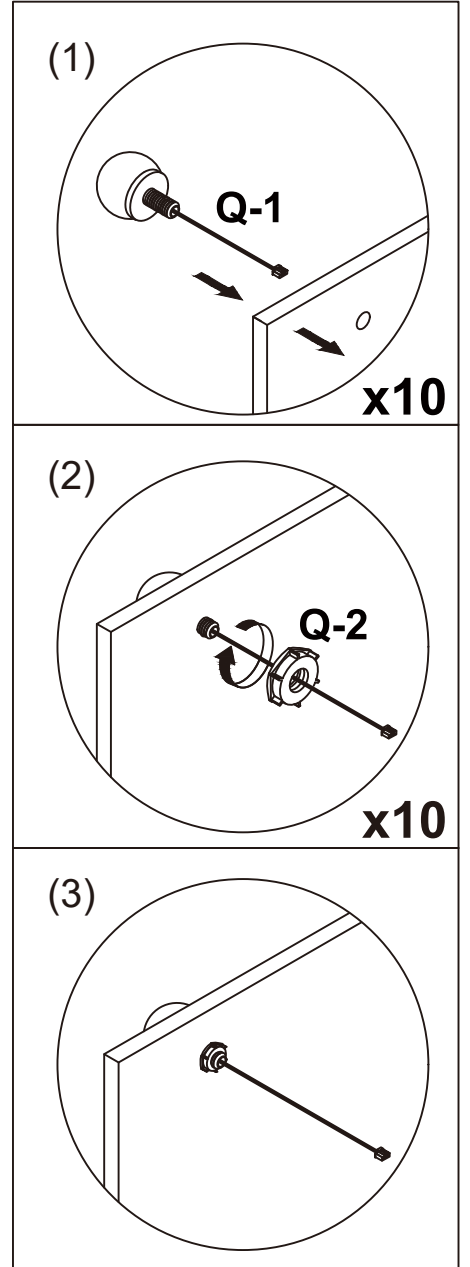
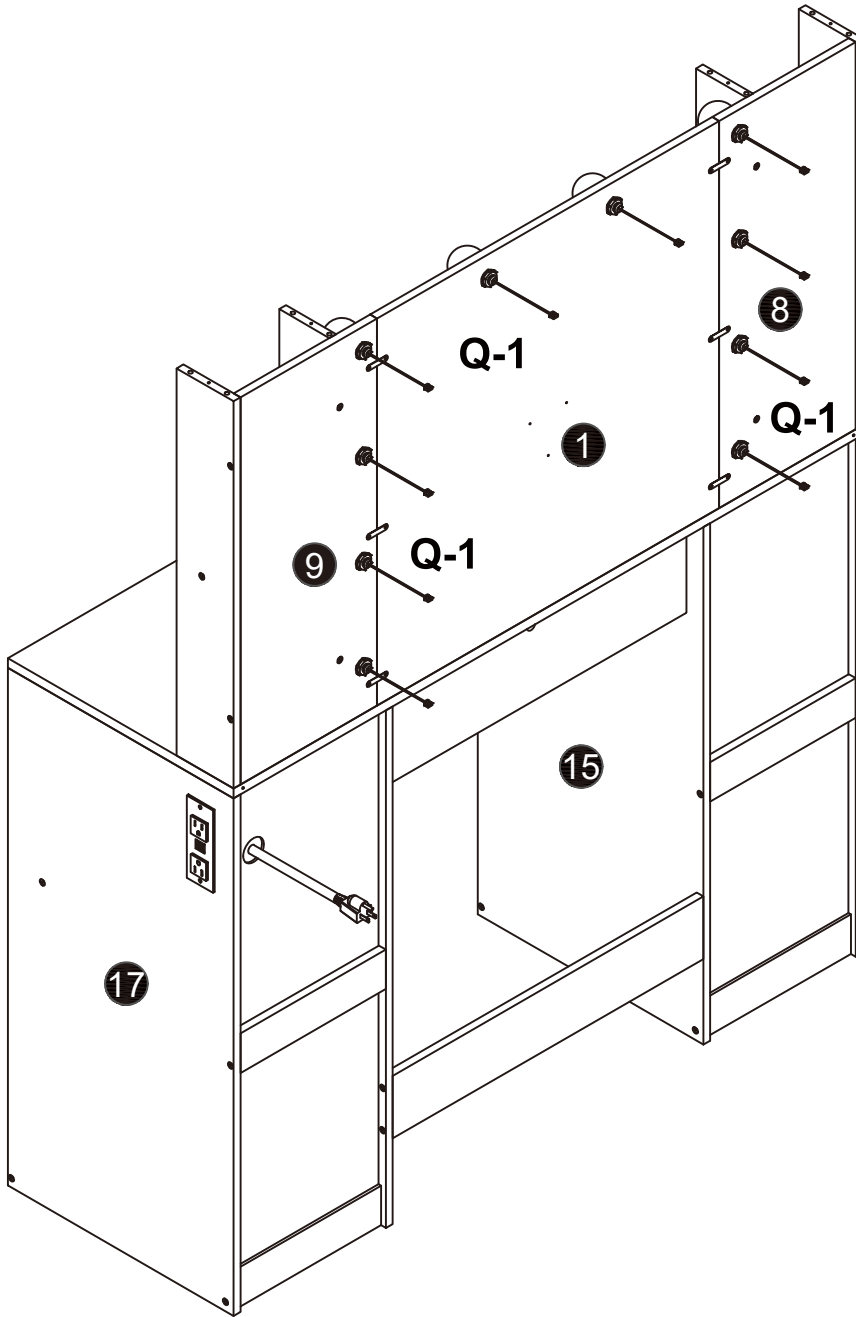
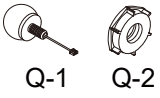
K-1 K-2



Need Two or More
People To Complete



Q x10



E x2

Q x1

L x1

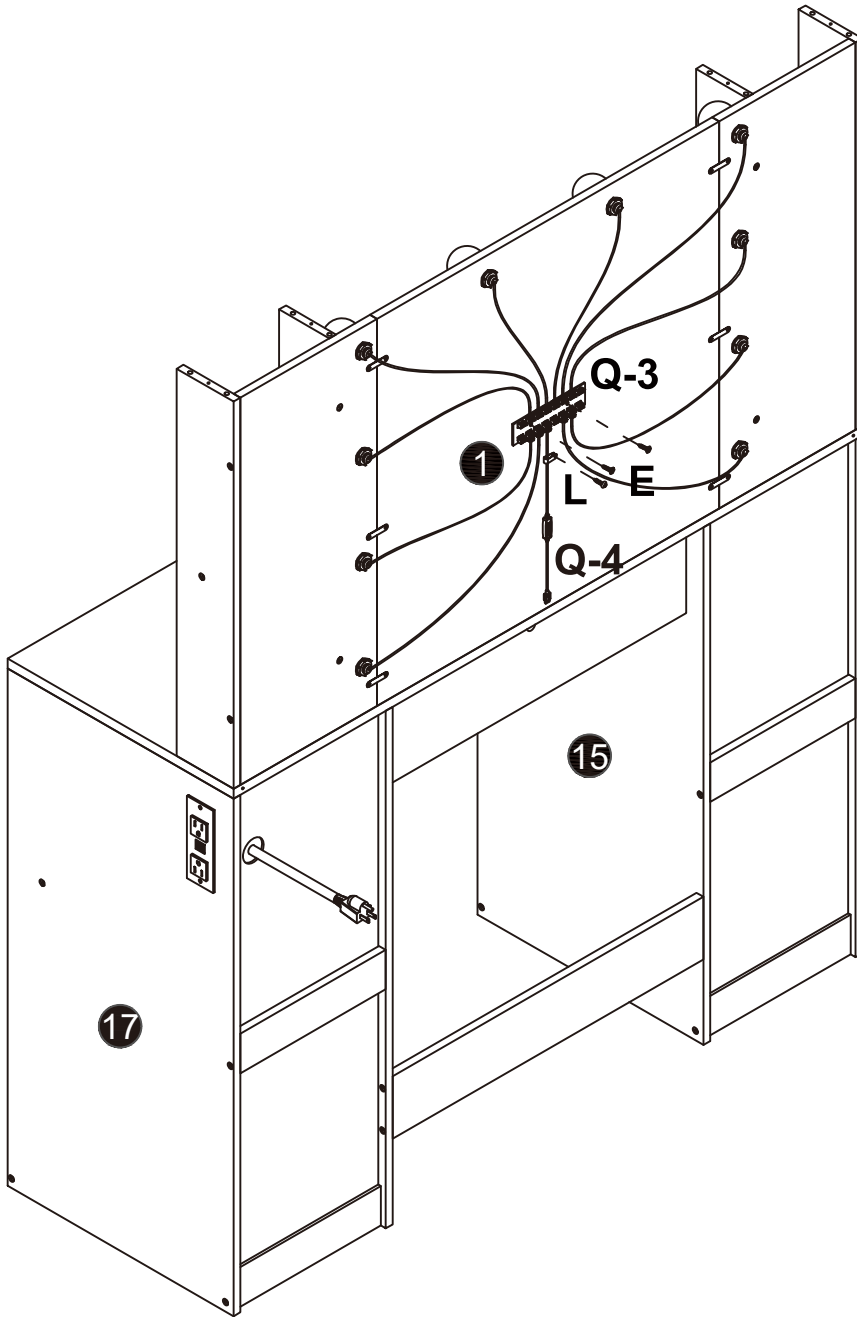


Q-3

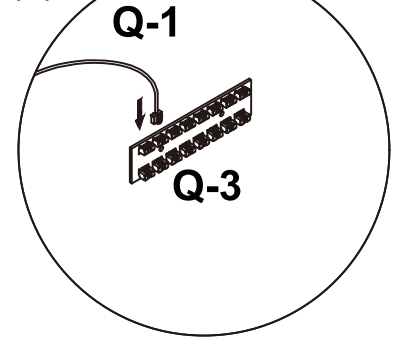
Q-4

L-1

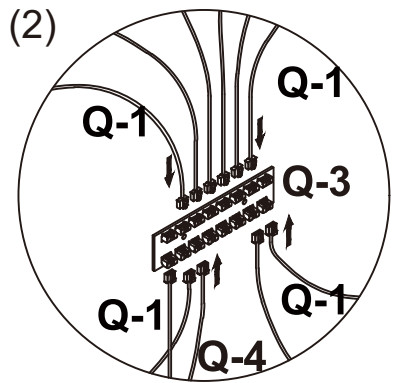
L-2



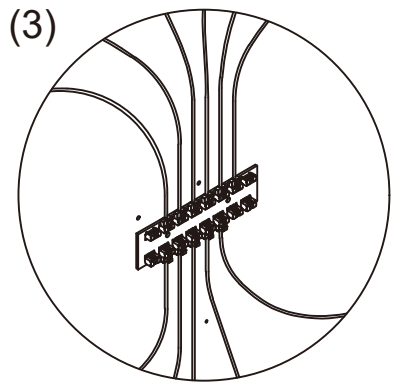
(1)



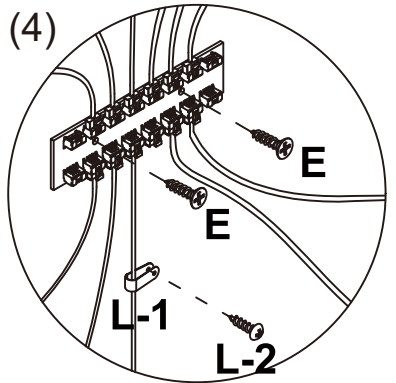
(2)



(3)



(4)



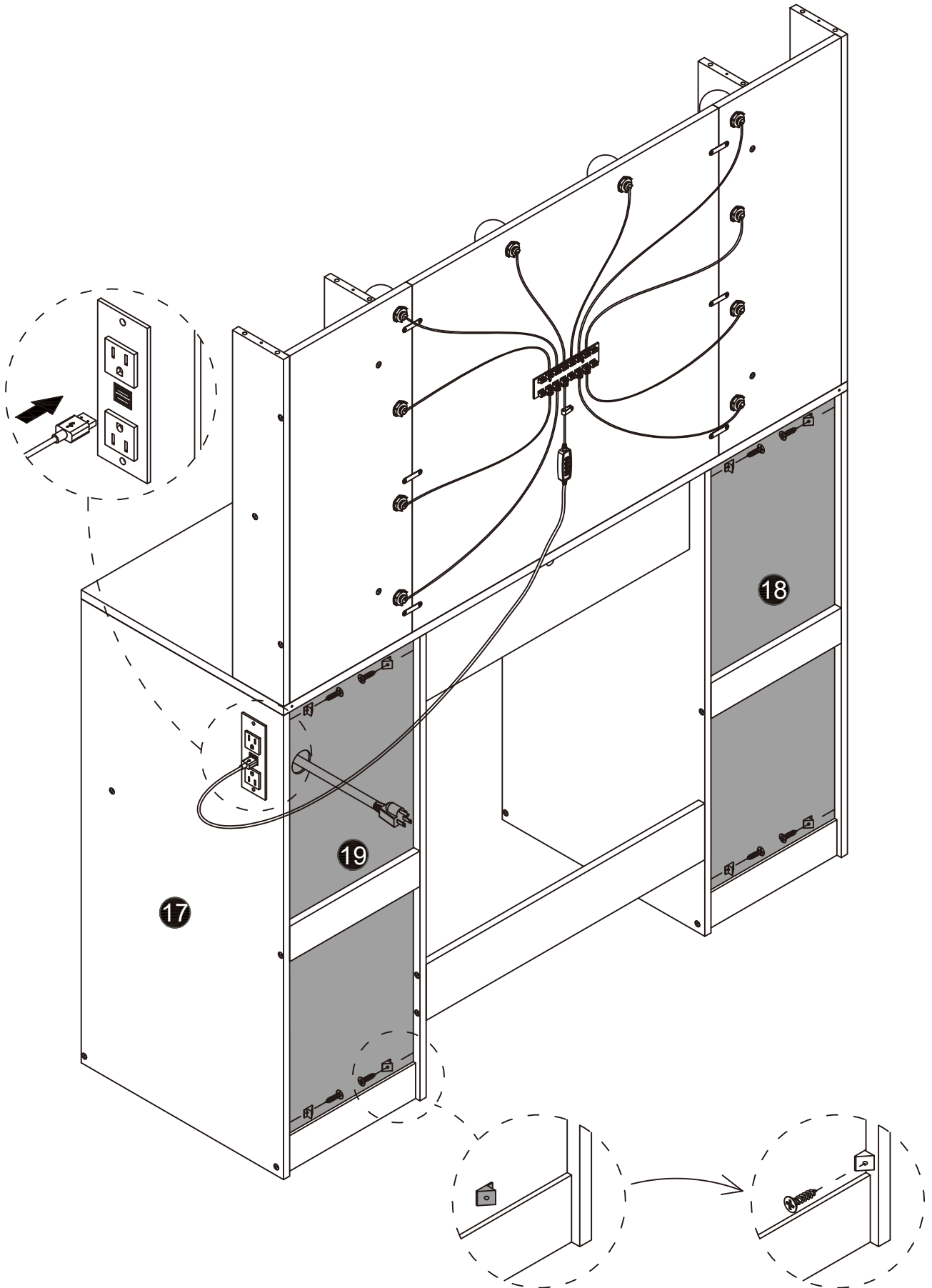
J x8



J-1



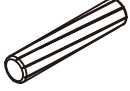
J-2



B x2



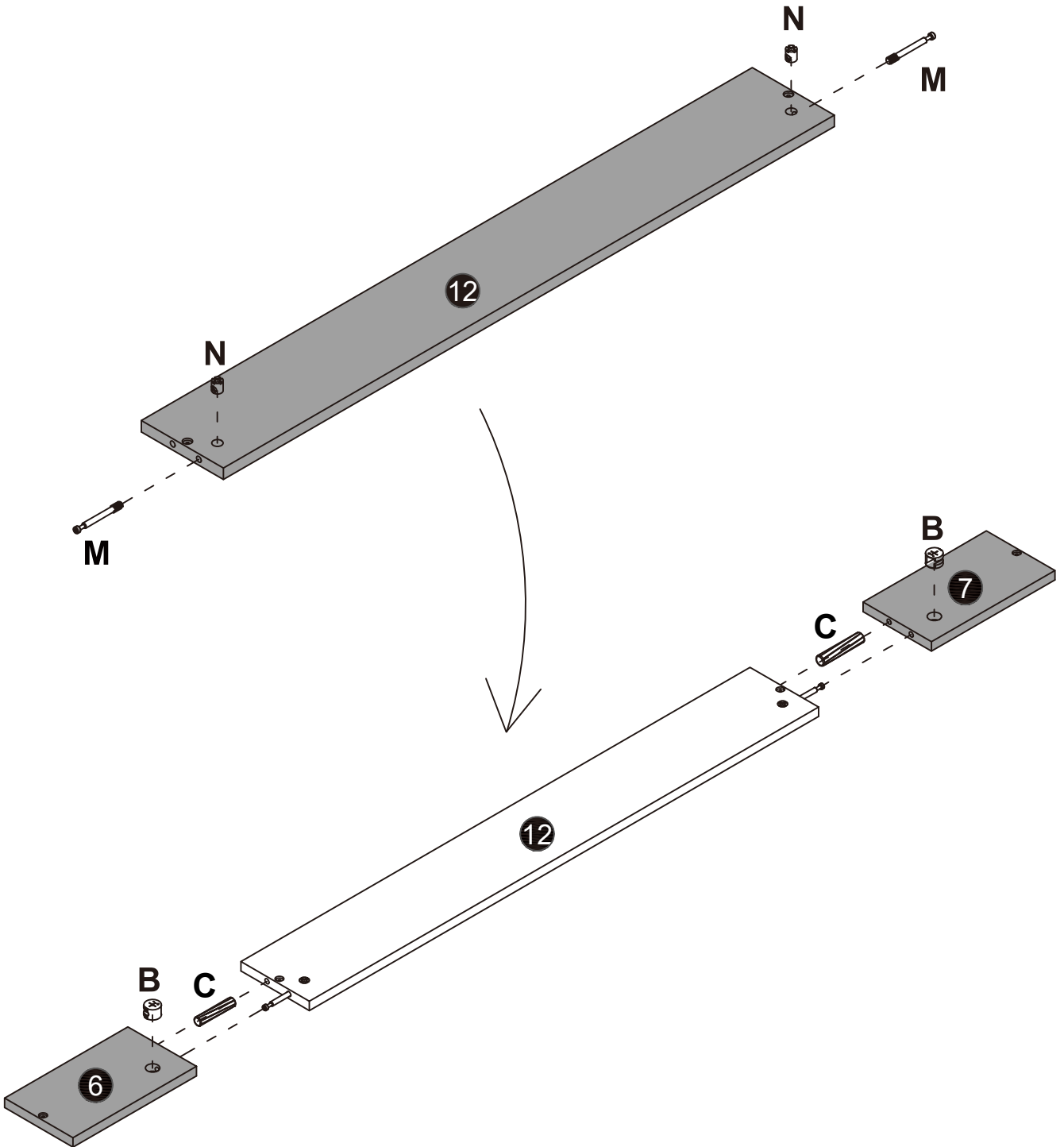
C x2



M x2

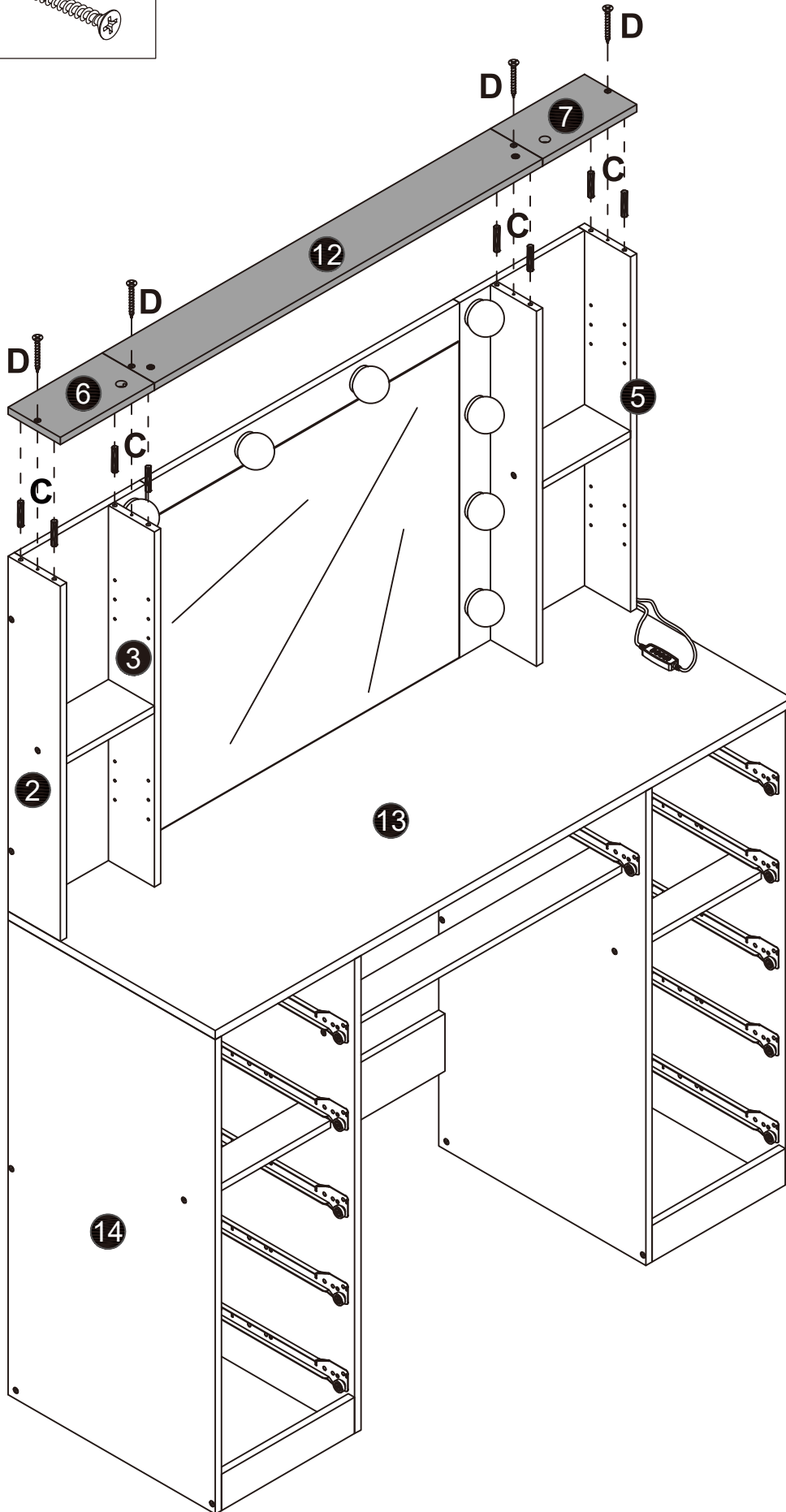
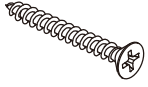
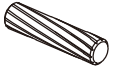


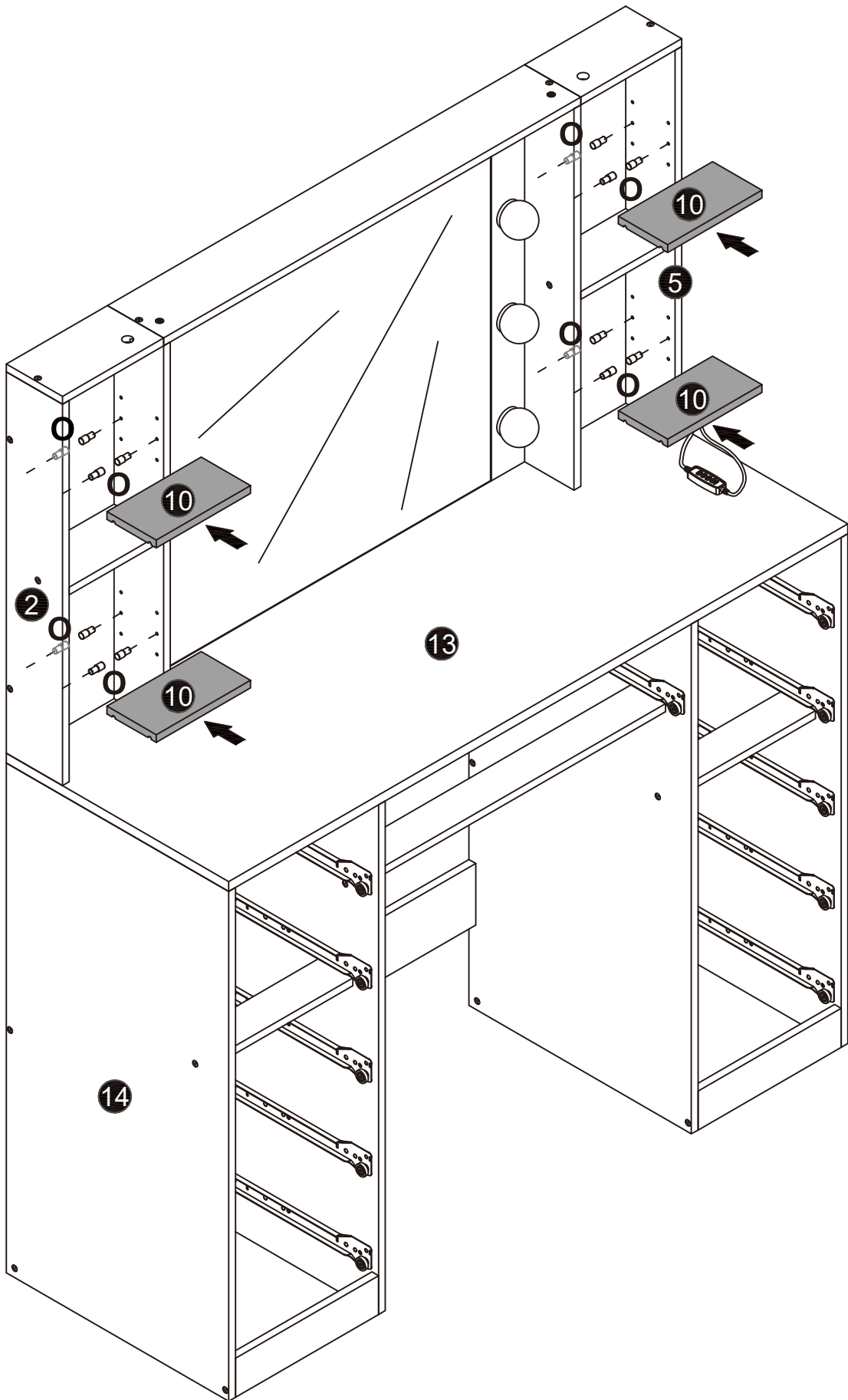
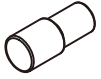
N x2



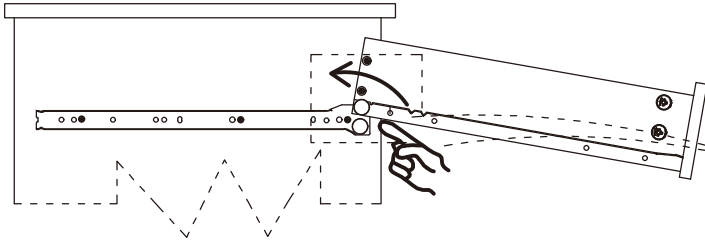
C x8

D x4

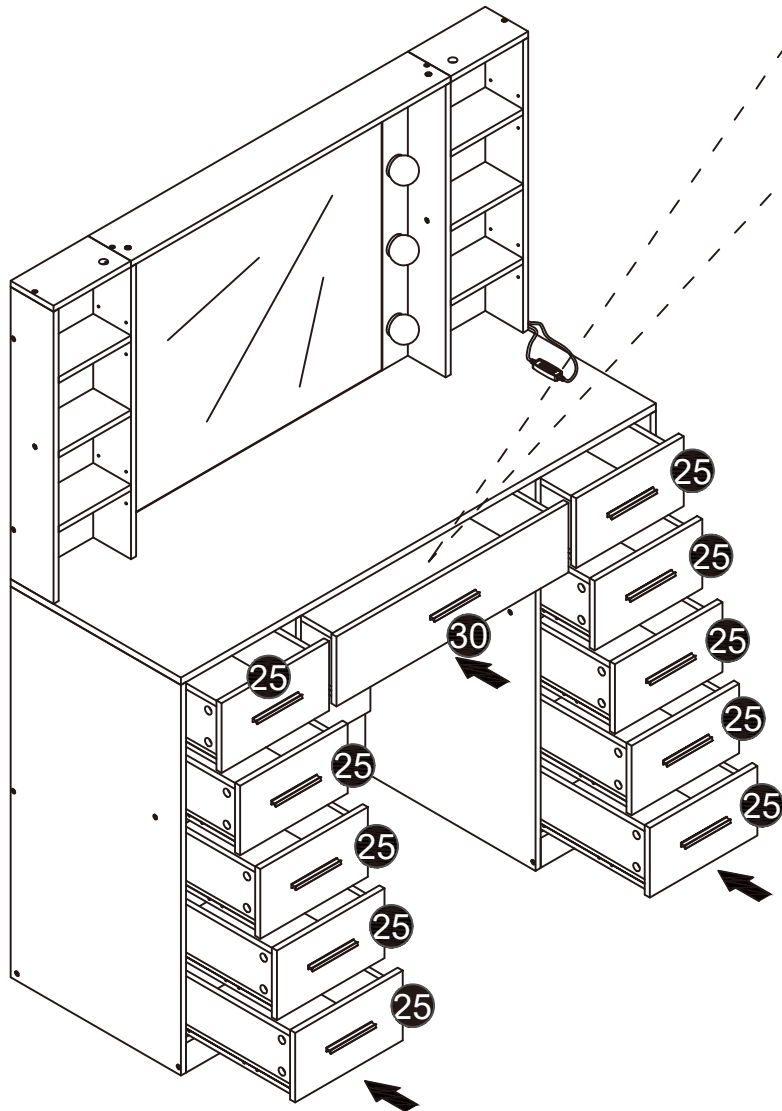
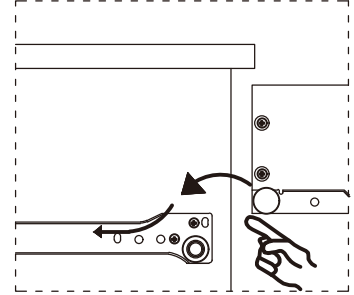
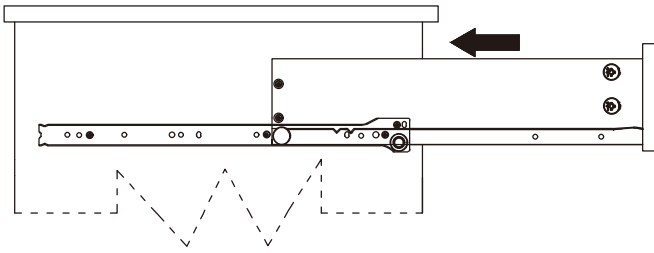


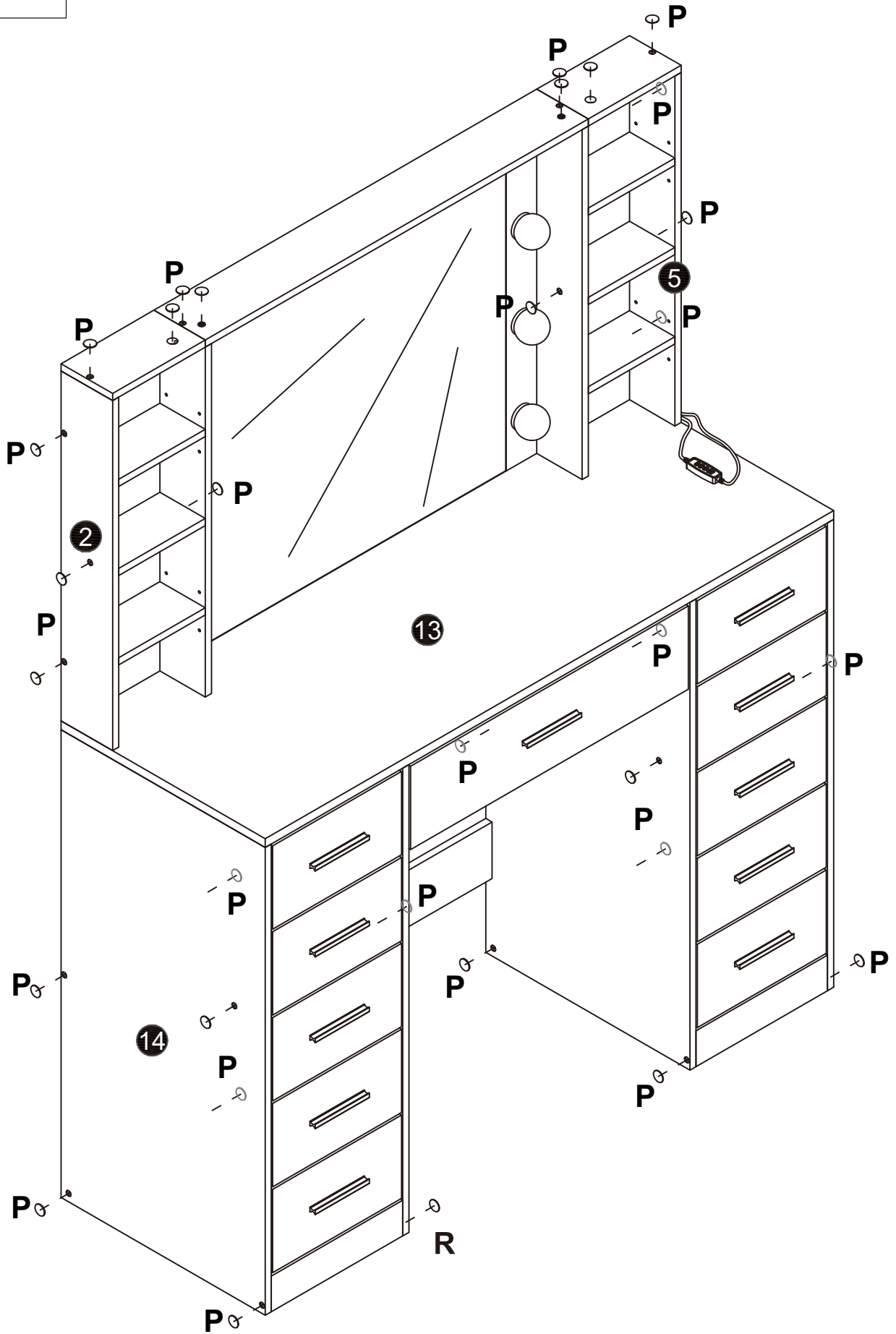


(1)



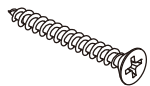
(2)





D x2

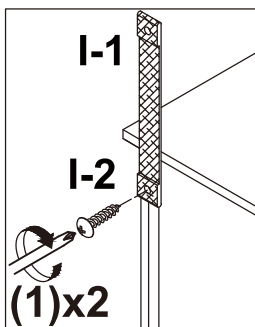
I x2



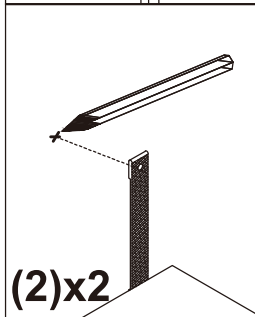
I-1

I-2

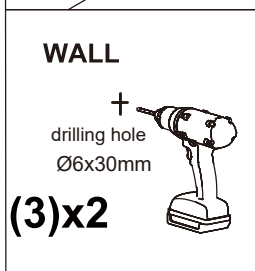
I-3



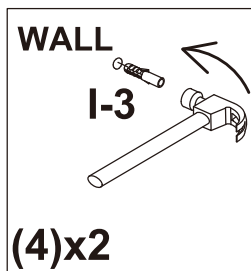
First fix the anti-rewind screw in the reserved hole of the product.



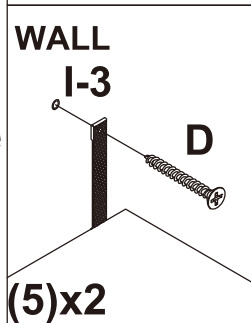
then, use a ruler to measure the approximate height of the product on the wall, and then mark it with a pen.



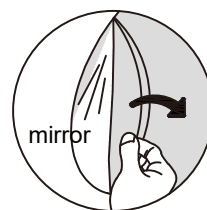
Then use a tape drill to make holes in the wall that are suitable for the product screws.



Then, put the expansion bolt into the hole



Finally, pass the matching screws through the "anti-rewind" and tighten them to fix them on the wall.



Please tear off the film on the outside of the mirror.

