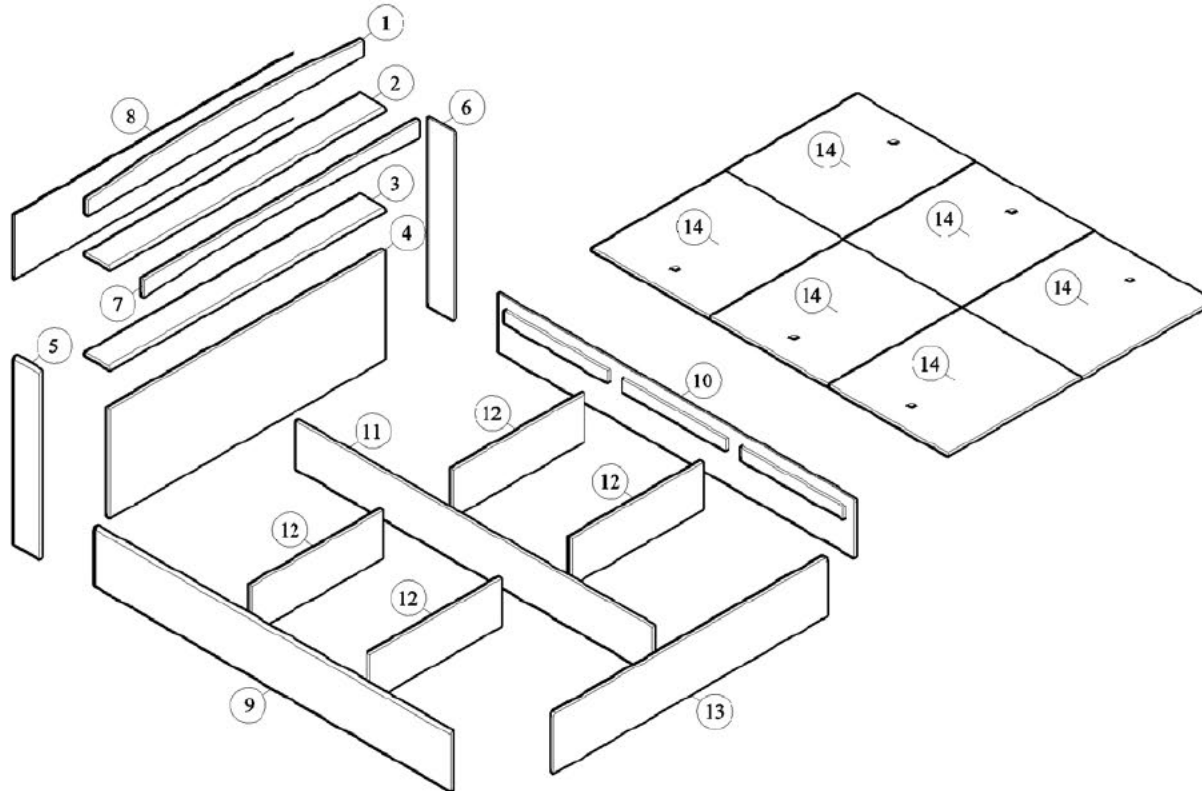
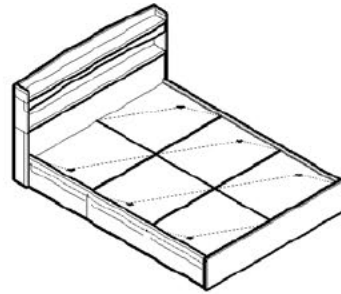
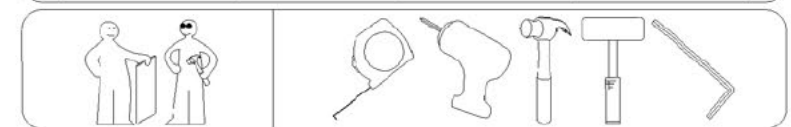


POSITION & PARTS NUMBER



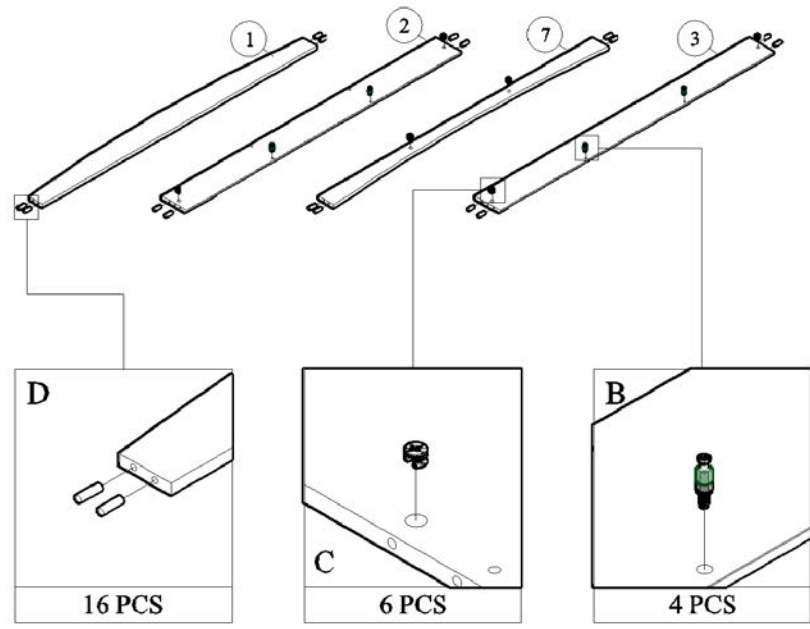
|   | ACCESSORIES |                      | QUANTITY |
|---|-------------|----------------------|----------|
| A |             | MINIFIX M7 x 64MM    | 2 PCS    |
| B |             | MINIFIX M5 x 24MM    | 22 PCS   |
| C |             | MINIFIX CASING       | 26 PCS   |
| D |             | WOOD DOWEL M8 x 30MM | 42 PCS   |
| E |             | WHITE LEG PIN        | 19 PCS   |
| F |             | POWER PIN            | 38 PCS   |
| G |             | SCREW M6 x 50MM      | 6 PCS    |
| H |             | SCREW M4 x 28MM      | 2 PCS    |
| I |             | ALLEN KEY            | 1 PC     |
| J |             | SCREW M4 x 38MM      | 12 PCS   |
| K |             | WOOD DOWEL M8 x 50MM | 4 PCS    |



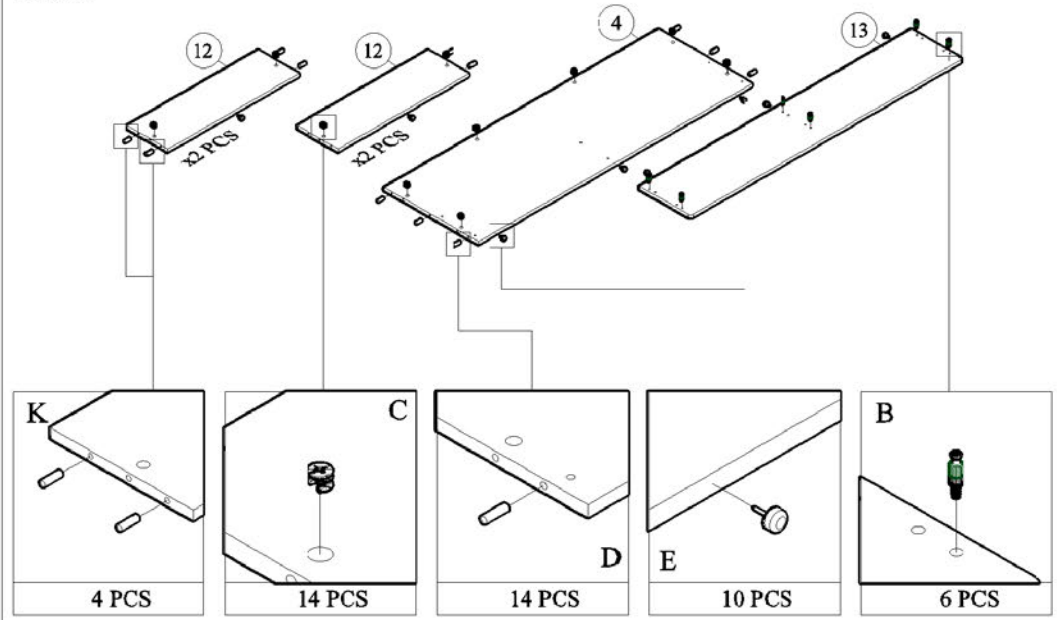


# START ASSEMBLY

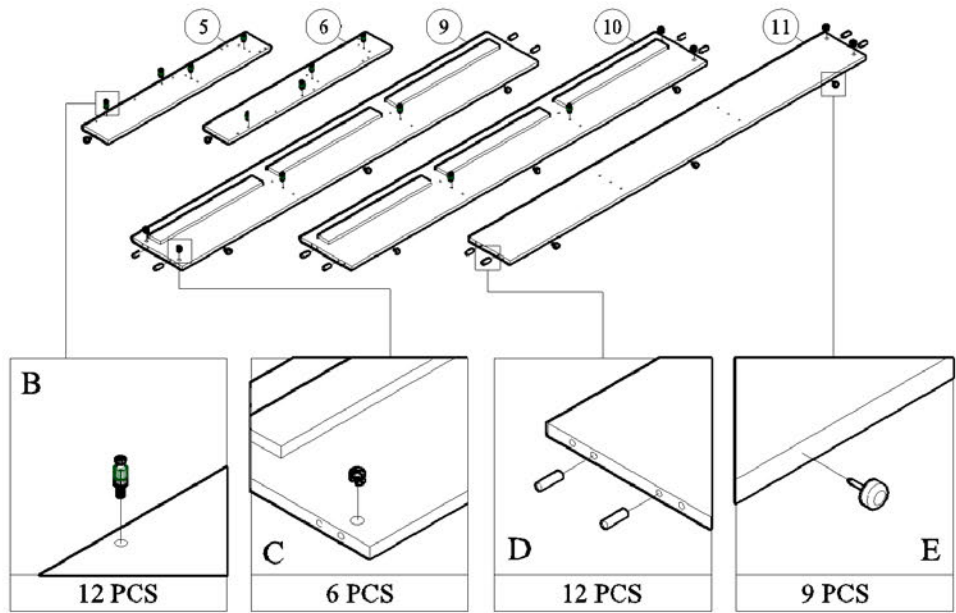
## STEP 1



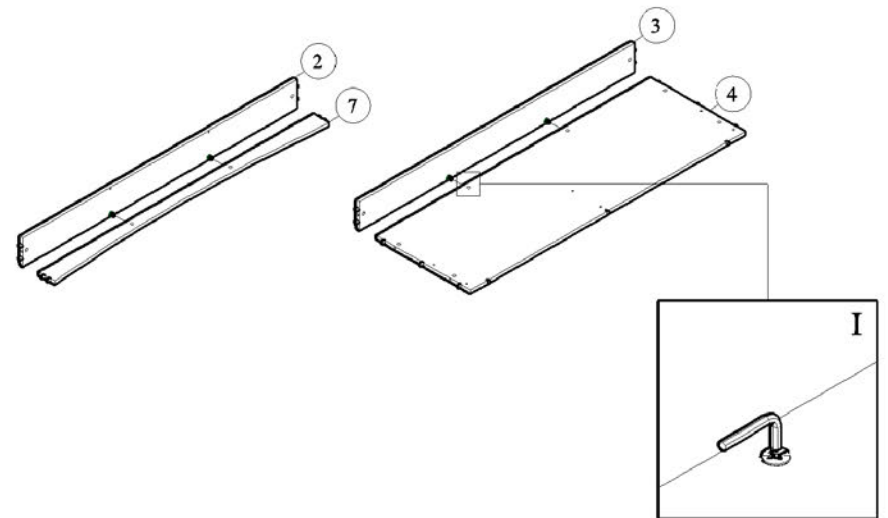
## STEP 2



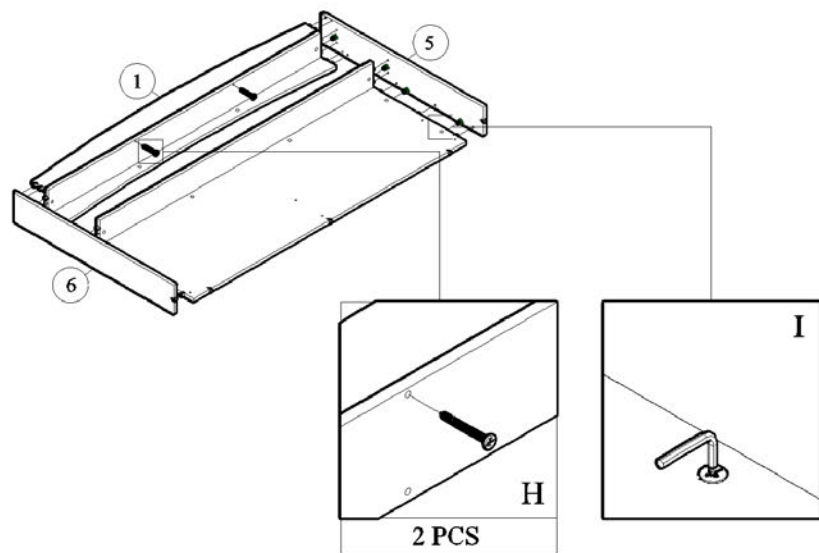
## STEP 3



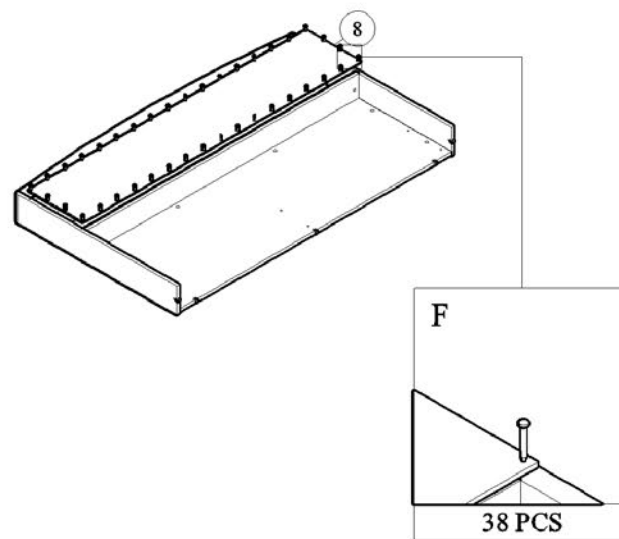
## STEP 4



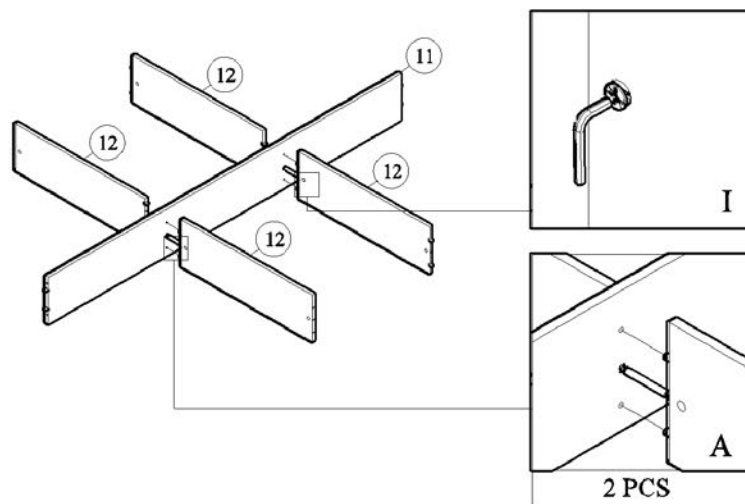
STEP 5



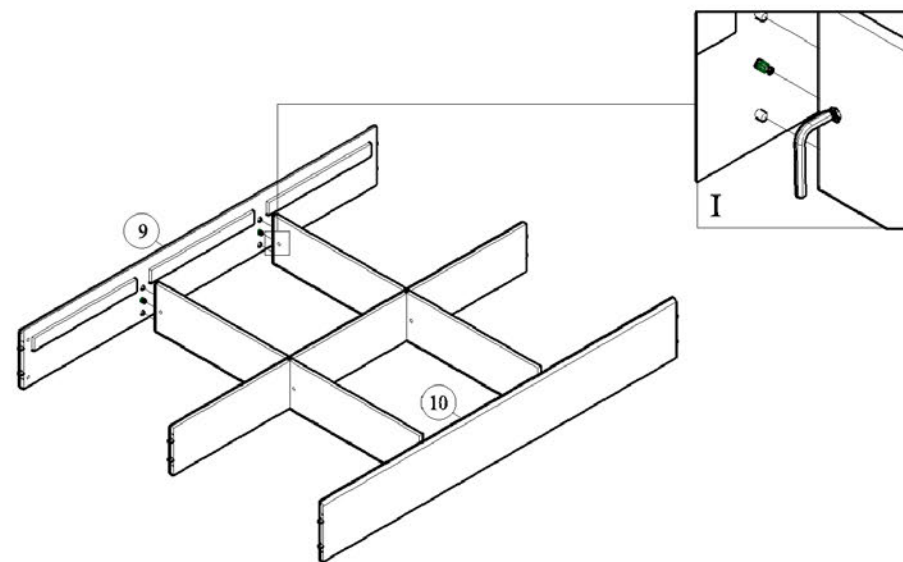
STEP 6



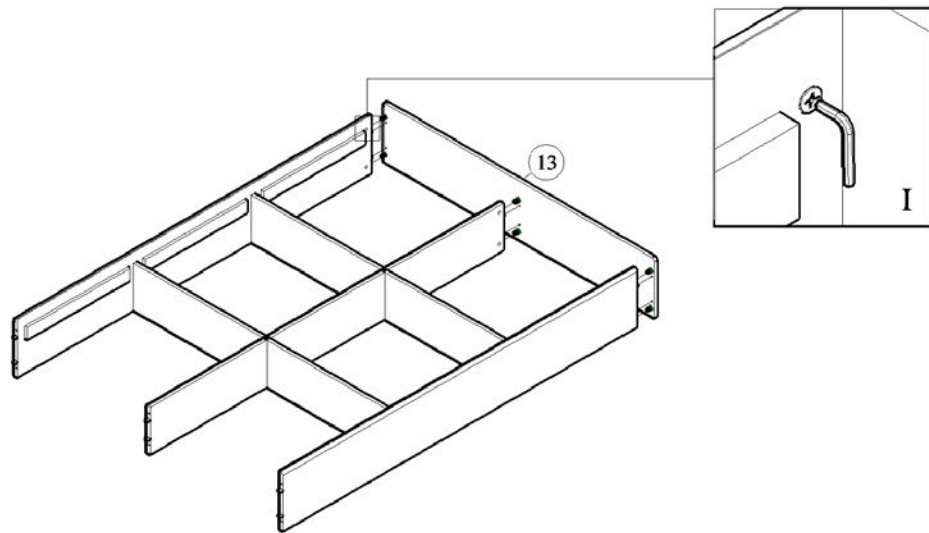
STEP 7



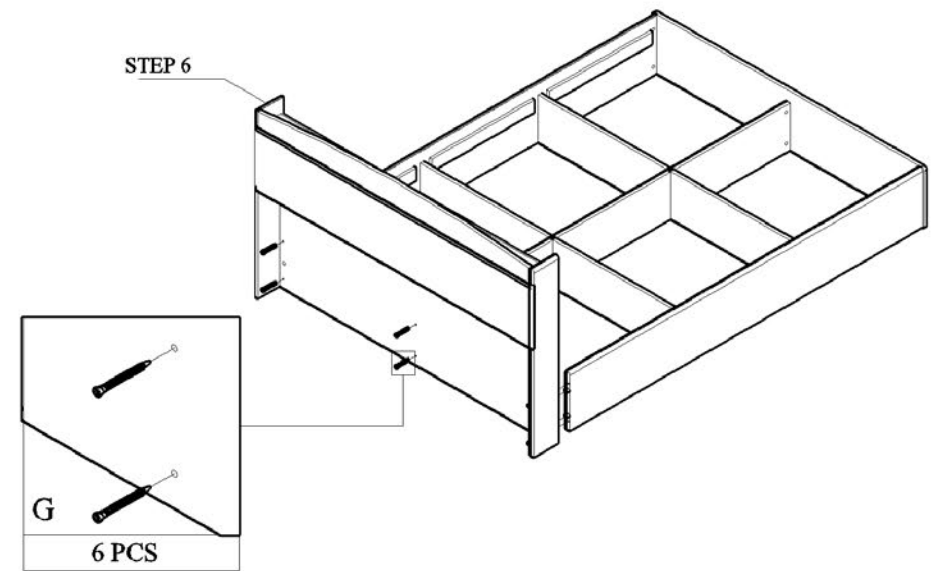
STEP 8



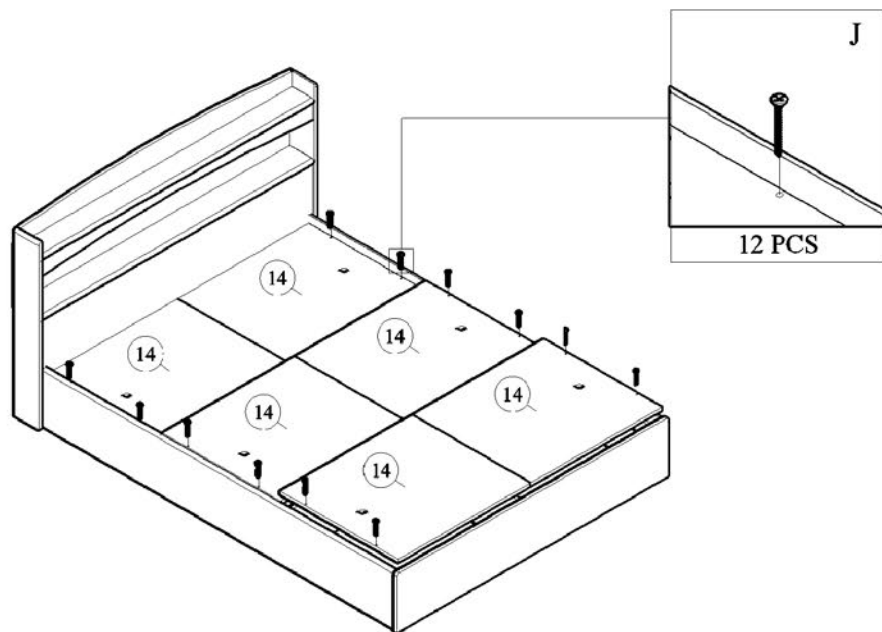
STEP 9



STEP 10



STEP 11



COMPLETED

