

About the Wood and Finish

This product has been carefully crafted of: MDF, solid pine wood and/or pine veneers. These materials derive from plantations, a renewable and well managed forest, therefore, not endangering the environment. The highest quality standards have been implemented to assure a sturdy and reliable product. Due to the natural variances in the

graining of wood, you may notice subtle differences in the shading and tone of the color stain, warp, holes, wood knots and also small cracks. This is not a defect.

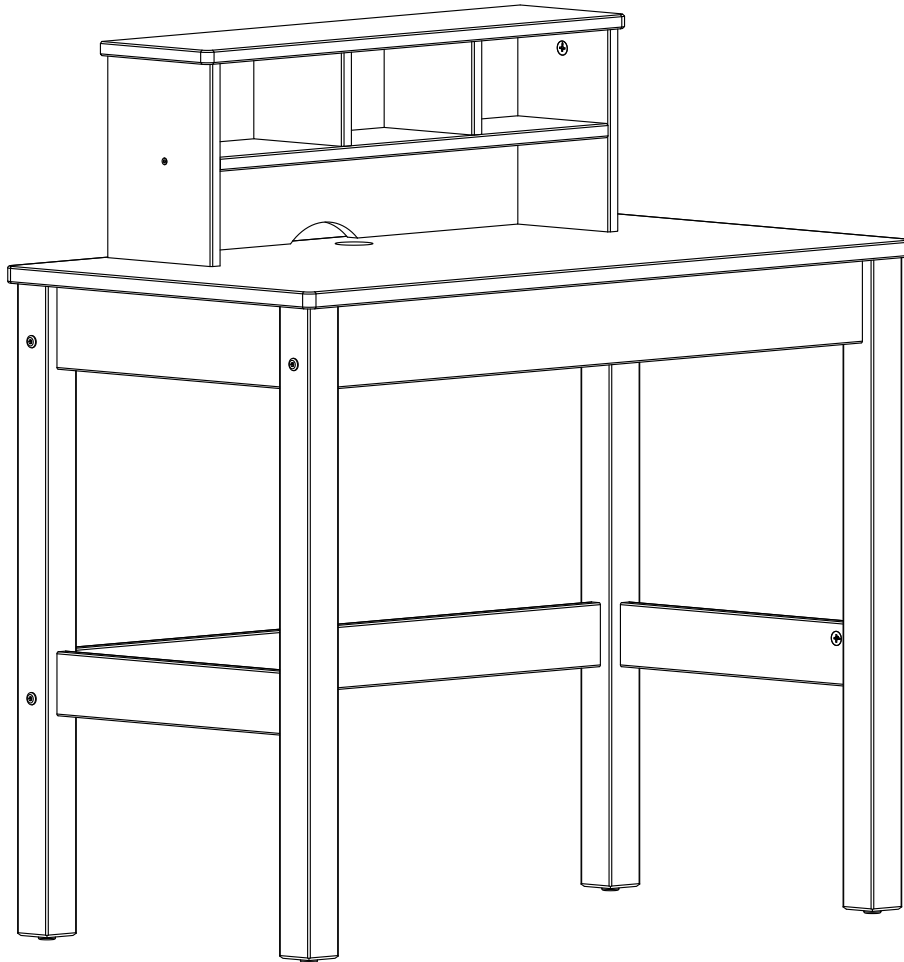
But rather a result of the natural beauty of the wood itself.

AONLINE
FURNITURE

Care and maintenance:

Dust when needed using a smooth, dry cloth. Household furniture polish can be used occasionally to restore luster.

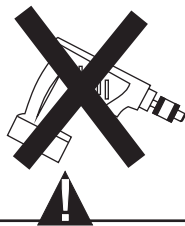
92995 - Desk



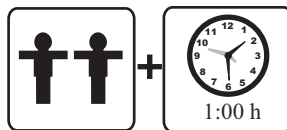
Thank you for purchasing this quality product. Be sure to check all packing material carefully, for small parts which may have come loose inside the carton during shipment. Separate, identify and count all parts and hardware.

Compare with the parts list to be sure that all parts are included.

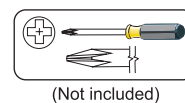
“DO NOT TIGHTEN SCREWS UNTIL COMPLETELY ASSEMBLED.”



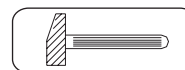
*Use of power tool to assemble this product will invalidate any claim, and damage this product, making it unsafe!
*Please assemble on a clean soft surface to avoid damage.



Tools Required



(Not included)

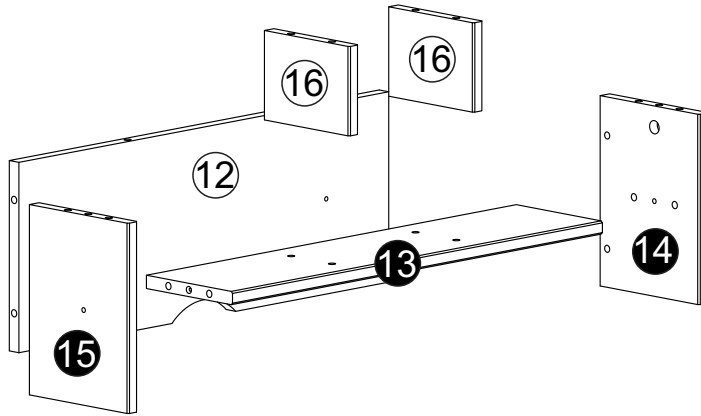
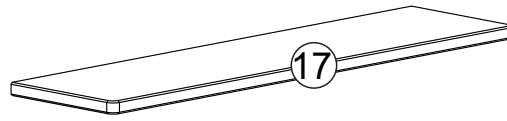


(Not included)

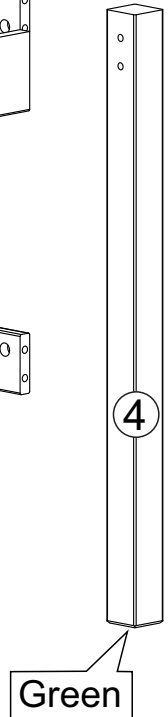
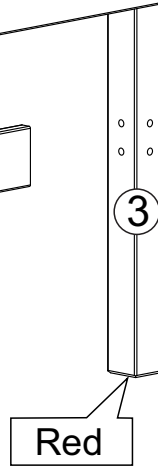
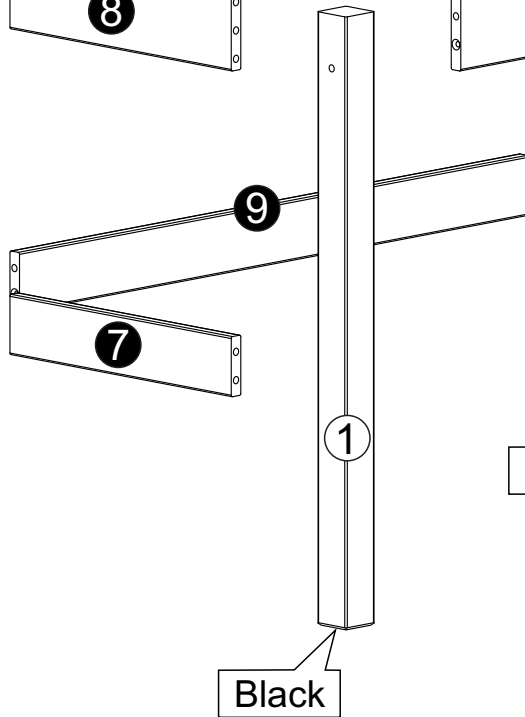
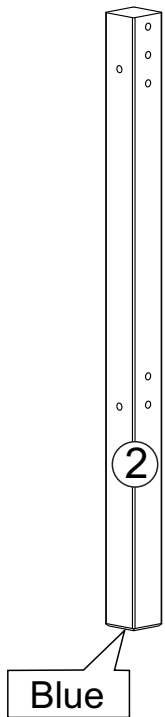
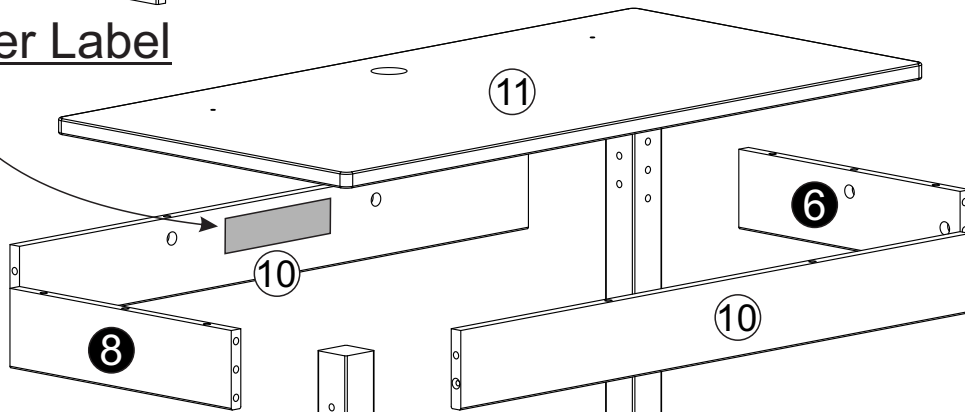
IMPORTANT:

PLEASE READ INSTRUCTION BEFORE STARTING THE ASSEMBLY

Part list: 92995 - Desk

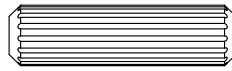


Manufacturer Label



Identifying the Hardware/part list - Identify the hardware using the illustrations below.

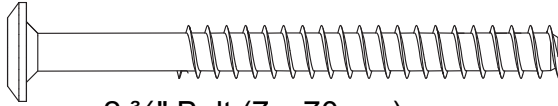
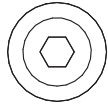
A



Qty
42

1 3/16" Wooden Dowel (8 x 30mm)

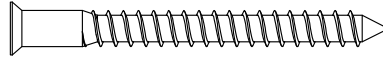
B



Qty
10

2 3/4" Bolt (7 x 70mm)

C



Qty
06

2" Bolt (5 x 50mm)

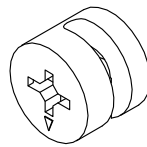
D



Qty
14

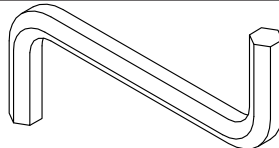
Cam Bolts

E



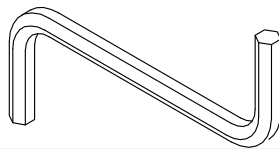
Cam
Lock Qty
14

F



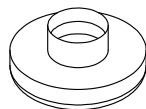
Allen
wrench Qty
01
4mm

G



Allen
wrench Qty
01
3mm

H



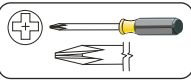
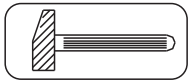
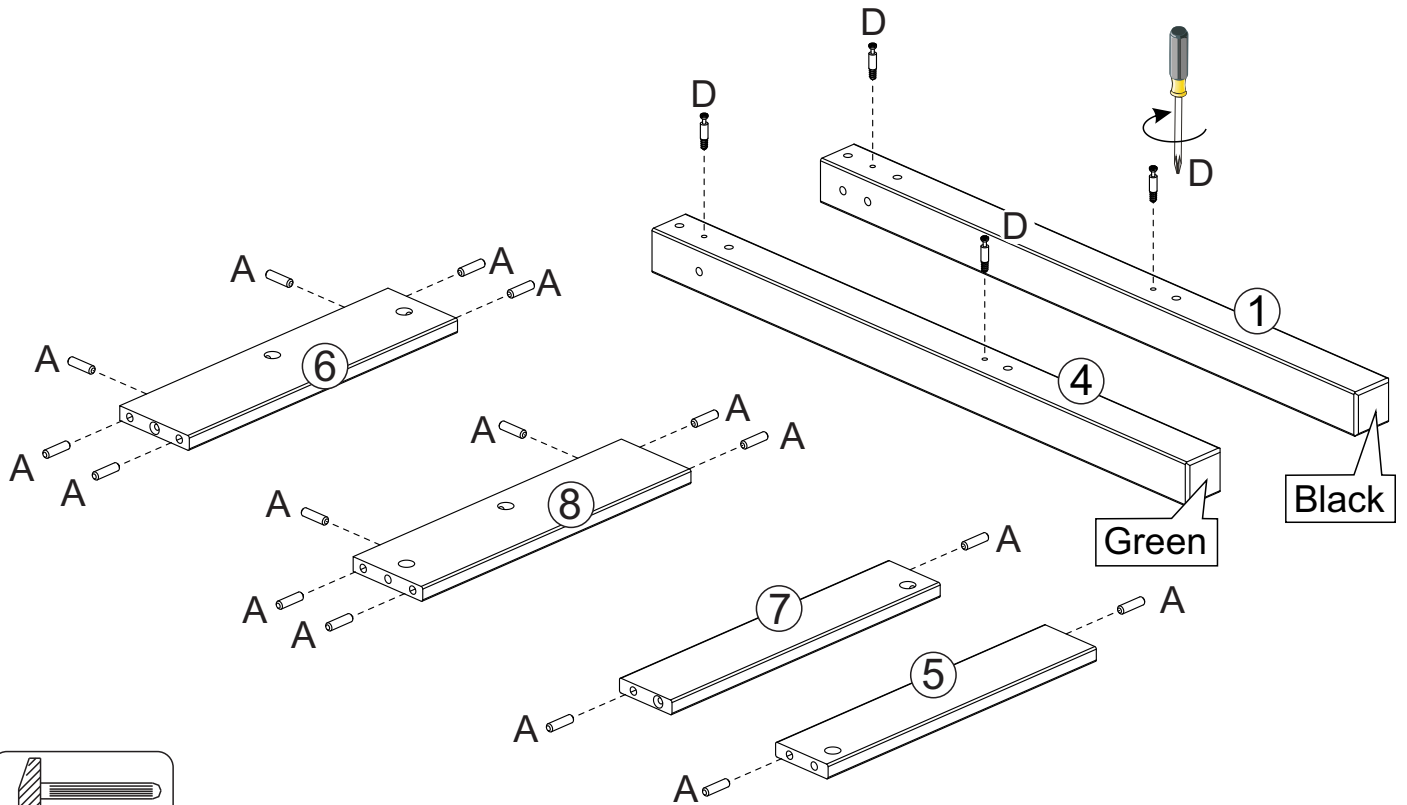
Plastic Foot Qty
04

*Full size screws and bolts, for conference.


01

Posts and Crossbars

Insert wooden dowels (A) and cam bolts (D) into the holes, as shown in the diagram.



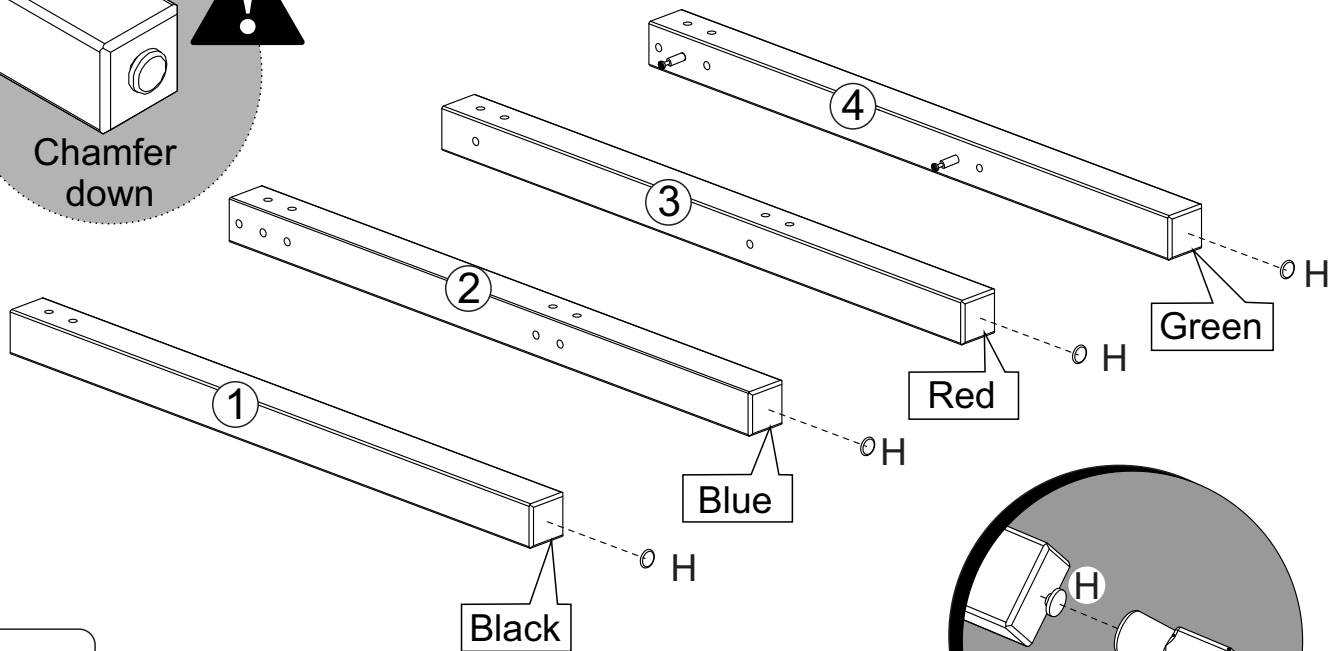
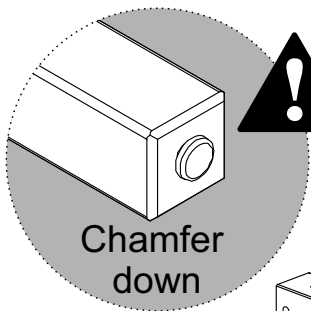
A  Qty **16**
1 3/16" Wooden Dowel

D  Qty **04**
Cam Bolt

02

Posts

Fix the plastic foot (H) to the posts 1, 2, 3, and 4 with hammer.

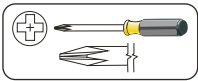
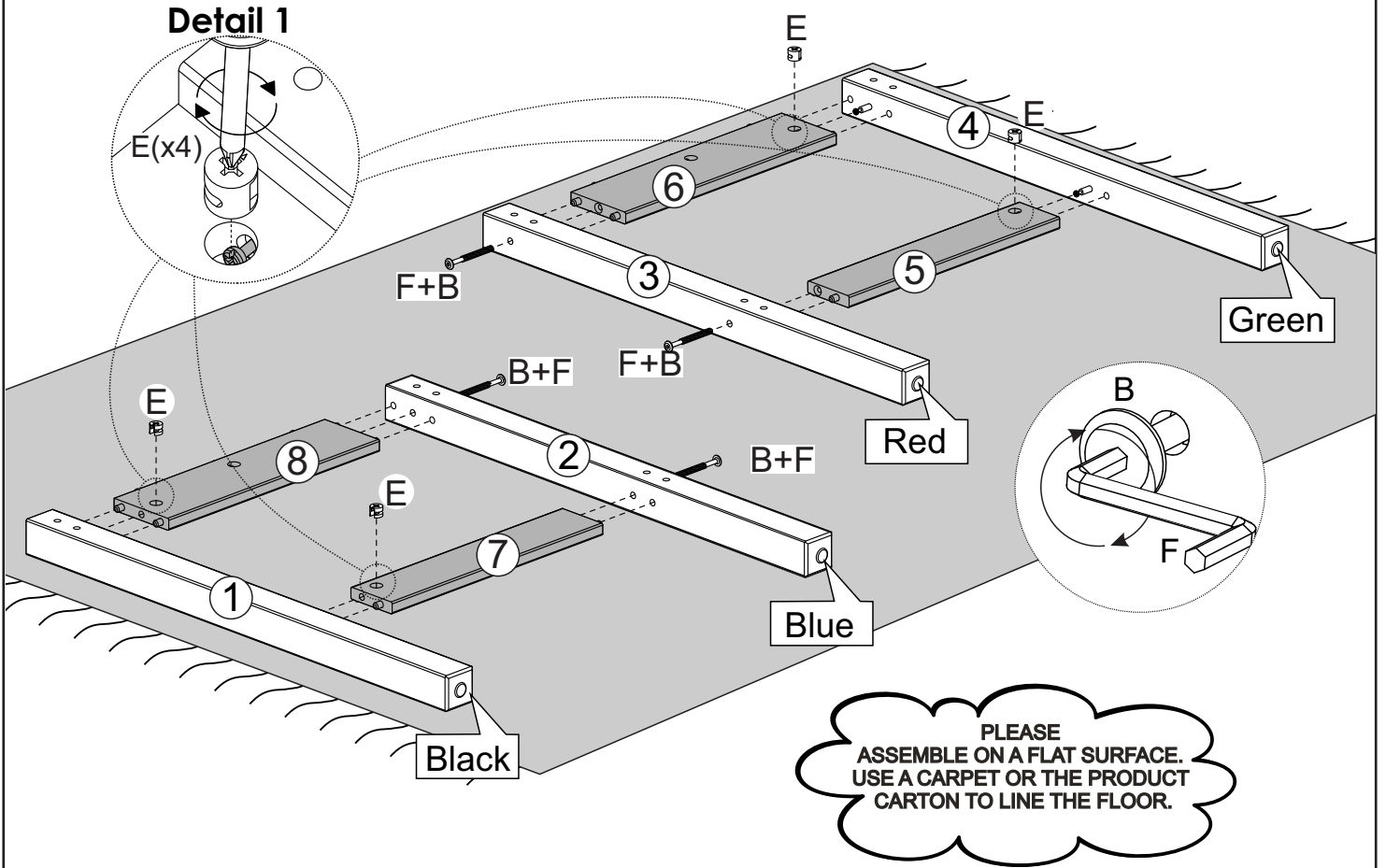


H  Qty **04**
Plastic Foot

03

Side Parts

Attach parts **8** and **7** on posts **1** and **2** using bolts (**B**) on one side, and on the other side using cam locks (**E**), locking according to detail 1. Do the same with parts **6** and **5** on posts **3** and **4**.



F 4mm Allen wrench Qty **01**

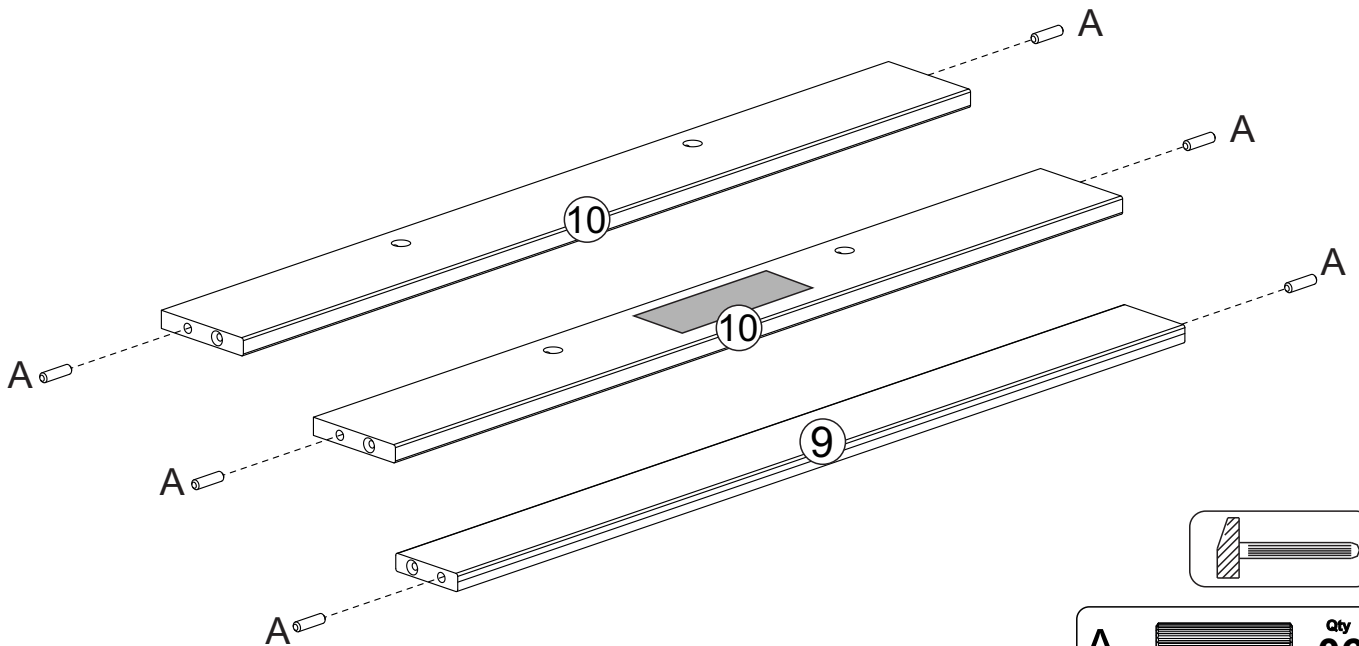
B 2 3/4" Bolt Qty **04**

E Cam Lock Qty **04**

04

Crossbars

Insert wooden dowels (**A**) into the holes, as shown in the diagram.



A 1 3/16" Wooden Dowel Qty **06**

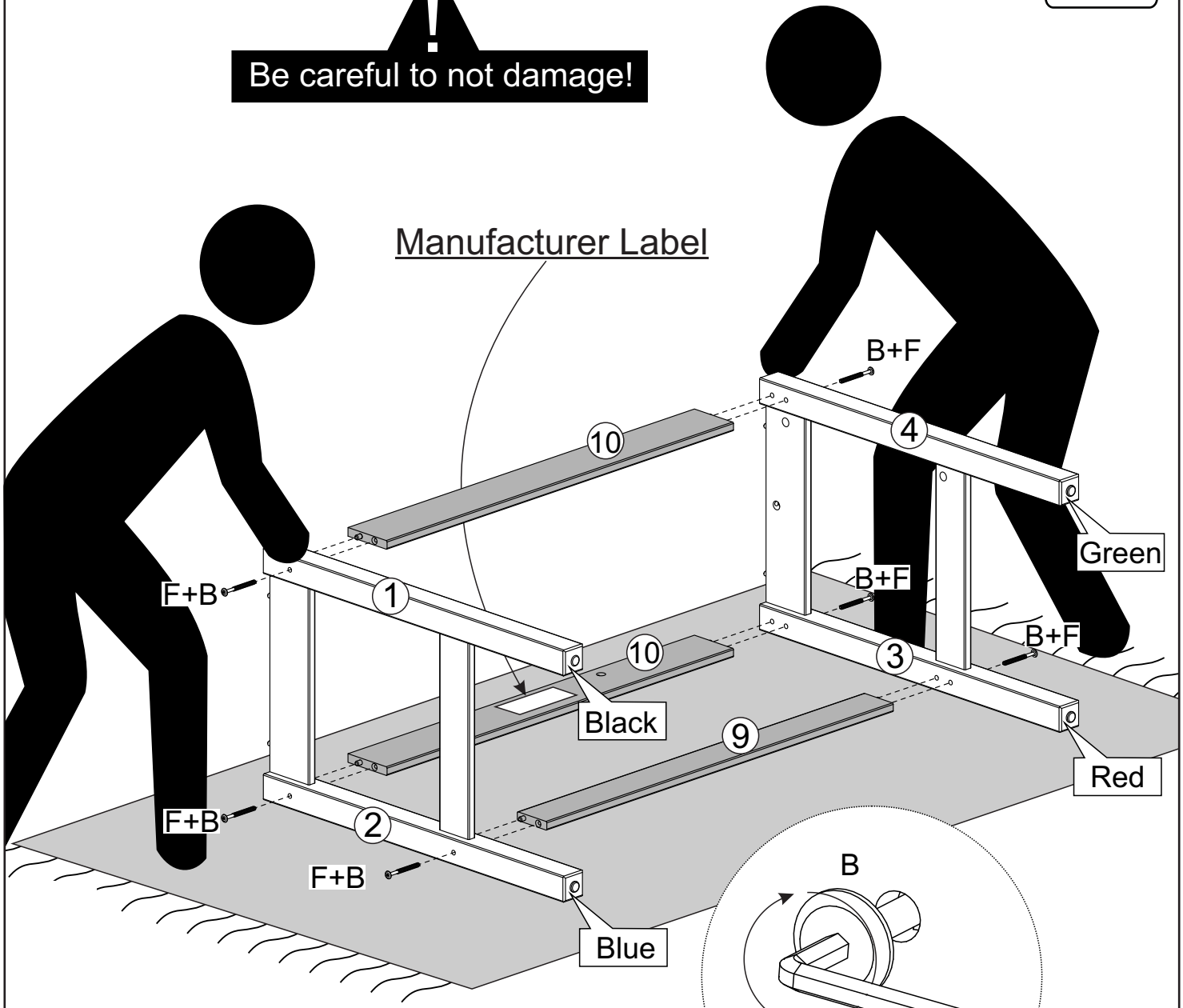
05 Side Parts

Attach the upper crossbars **10** and lower crossbar **9** on posts using bolts **(B)** with allen wrench **(F)**, according the illustration below.




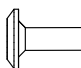
!
Be careful to not damage!

Manufacturer Label



PLEASE
ASSEMBLE ON A FLAT SURFACE.
USE A CARPET OR THE PRODUCT
CARTON TO LINE THE FLOOR.

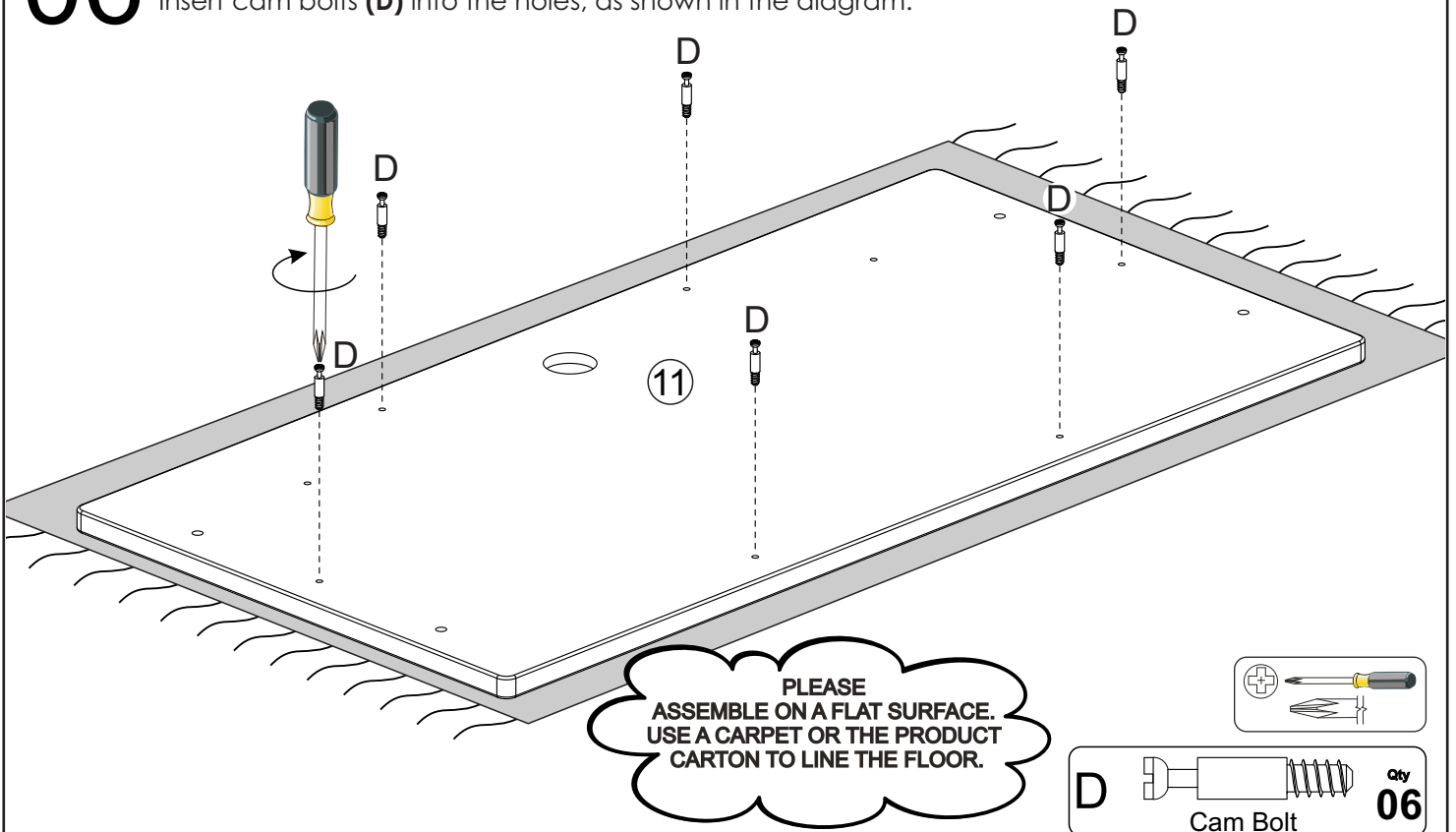
F  4mm Allen wrench **Qty 01**

B   2 3/4" Bolt **Qty 06**

06

Desk Top

Insert cam bolts (D) into the holes, as shown in the diagram.

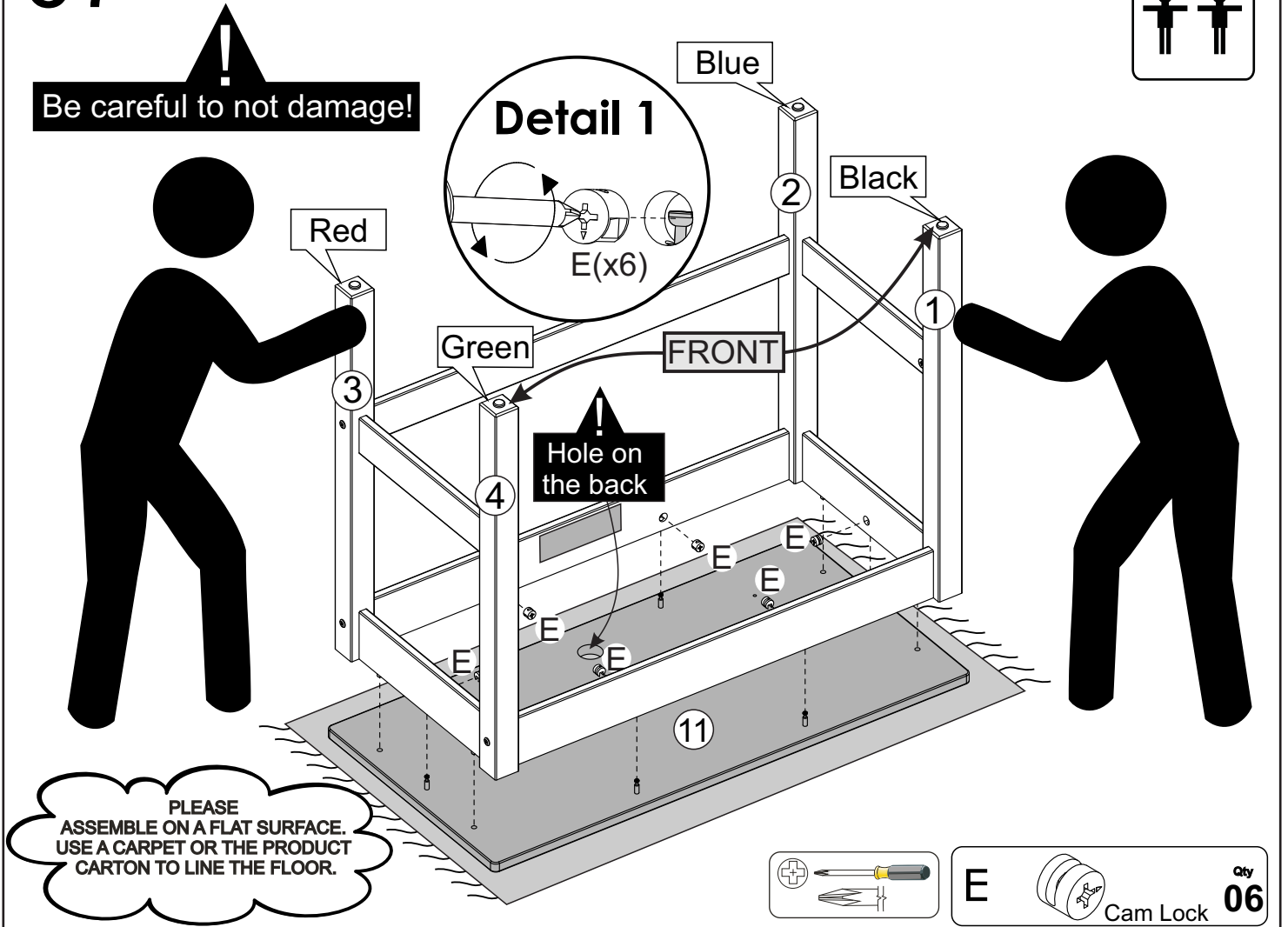


07

Fixing top on posts

Attach posts on Desk top 11 using cam locks (E), locking according detail 1.

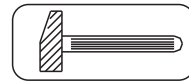
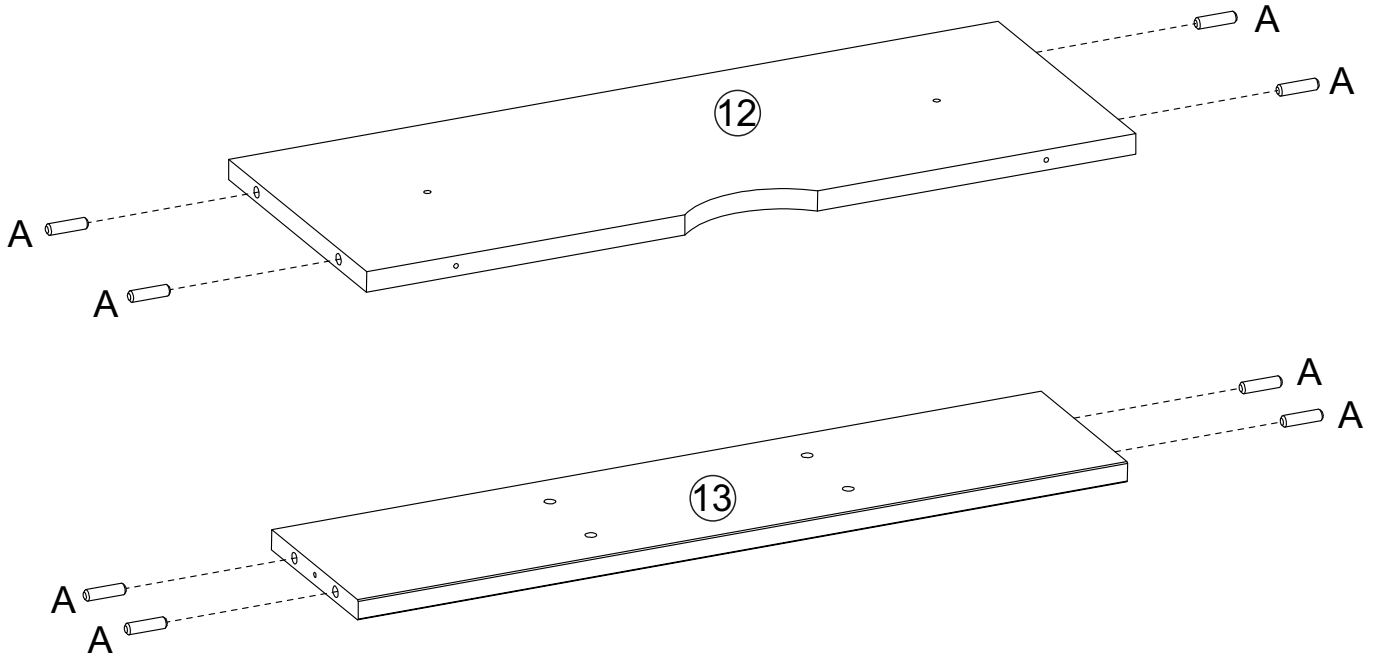
Be careful to not damage!



08

Bookcase Components

Insert wooden dowels (A) into the holes, as shown in the diagram.

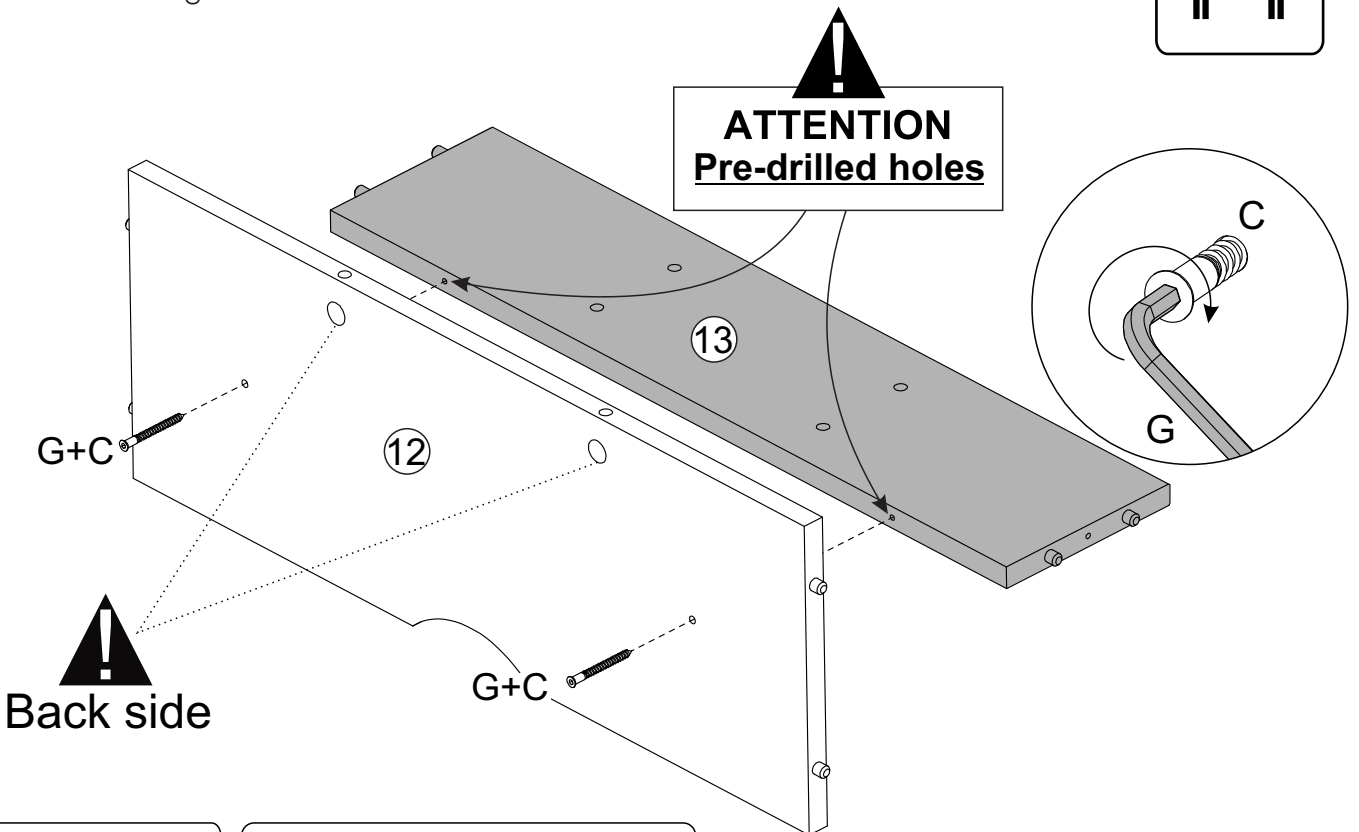
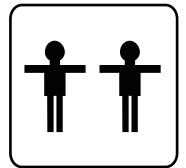


A  Qty **08**
1 3/16" Wooden Dowel

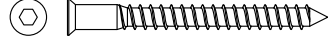
09

Bookcase Parts

Attach shelf 13 to the back panel 12 using bolts (C) with allen wrench (G), as shown in the diagram.

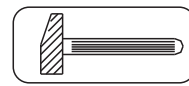
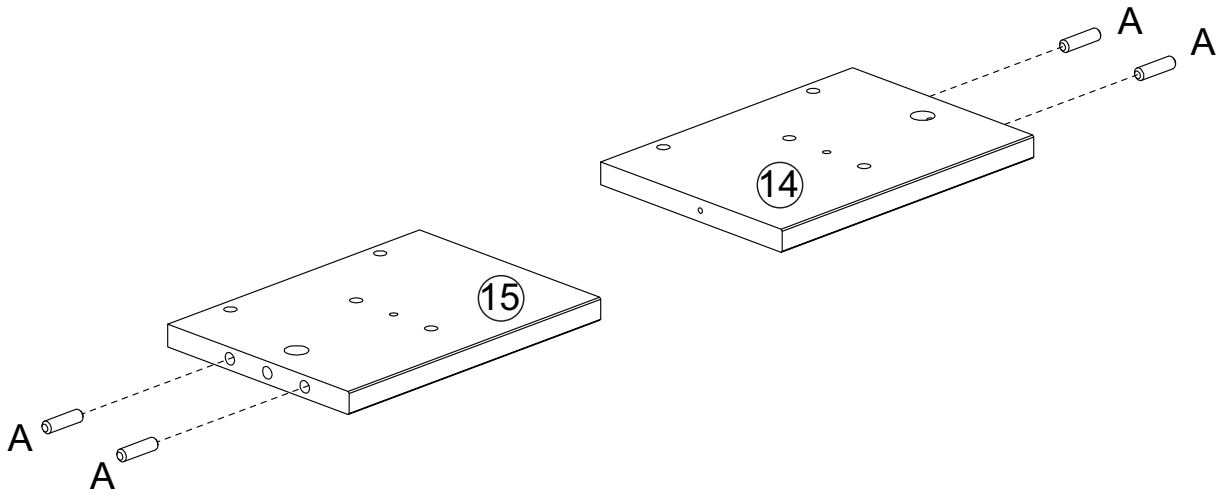


G  Allen wrench Qty **01**
3mm

C  Qty **02**
2" Bolt

10 Bookcase Sides

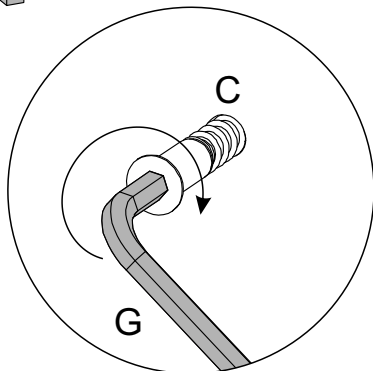
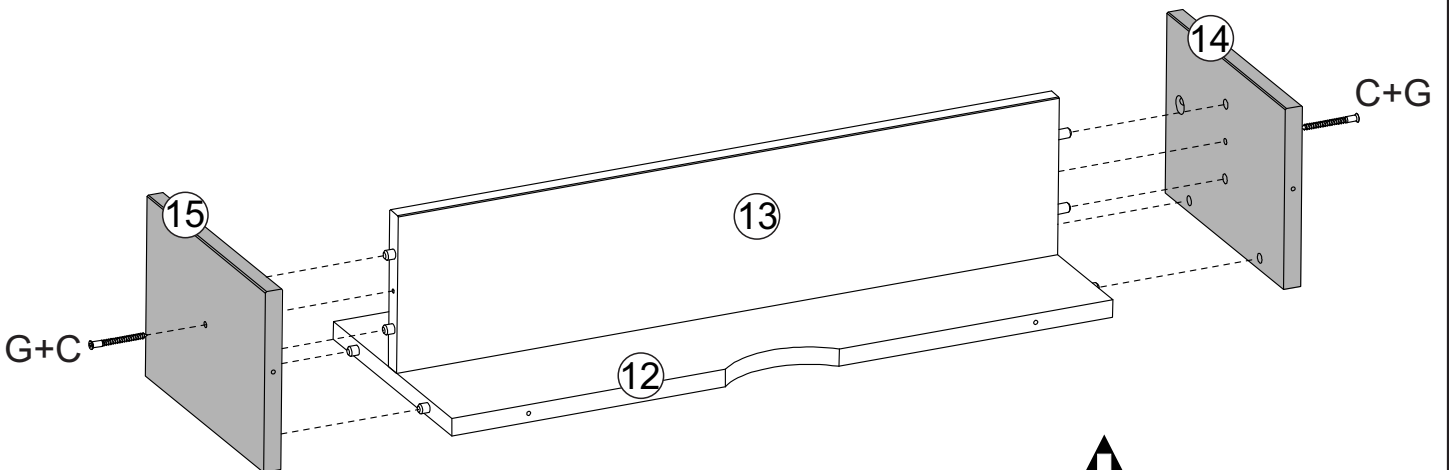
Insert wooden dowels (A) into the holes, as shown in the diagram.




A  Qty **04**
1 3/16" Wooden Dowel

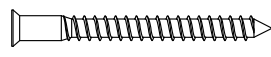
11 Bookcase Sides

Attach sides 15 and 14 on shelf 13 and back panel 12, using bolts (C).



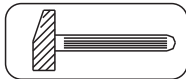
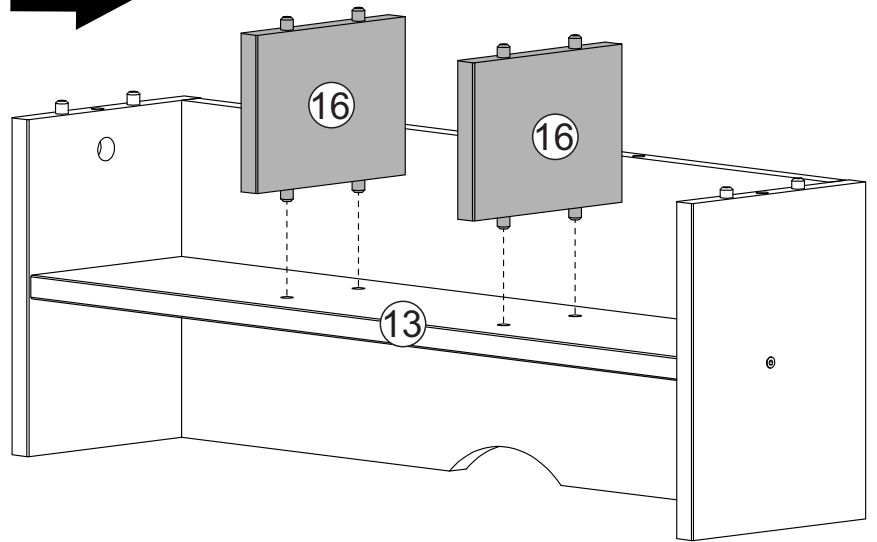
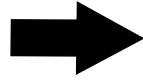
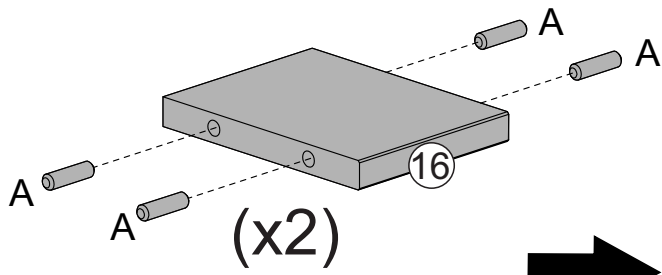
!
ATTENTION
Pre-drilled holes

G  Allen wrench Qty **01**
3mm

C  Qty **02**
2" Bolt

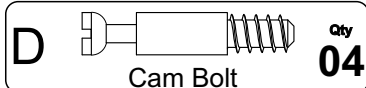
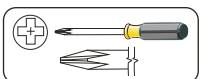
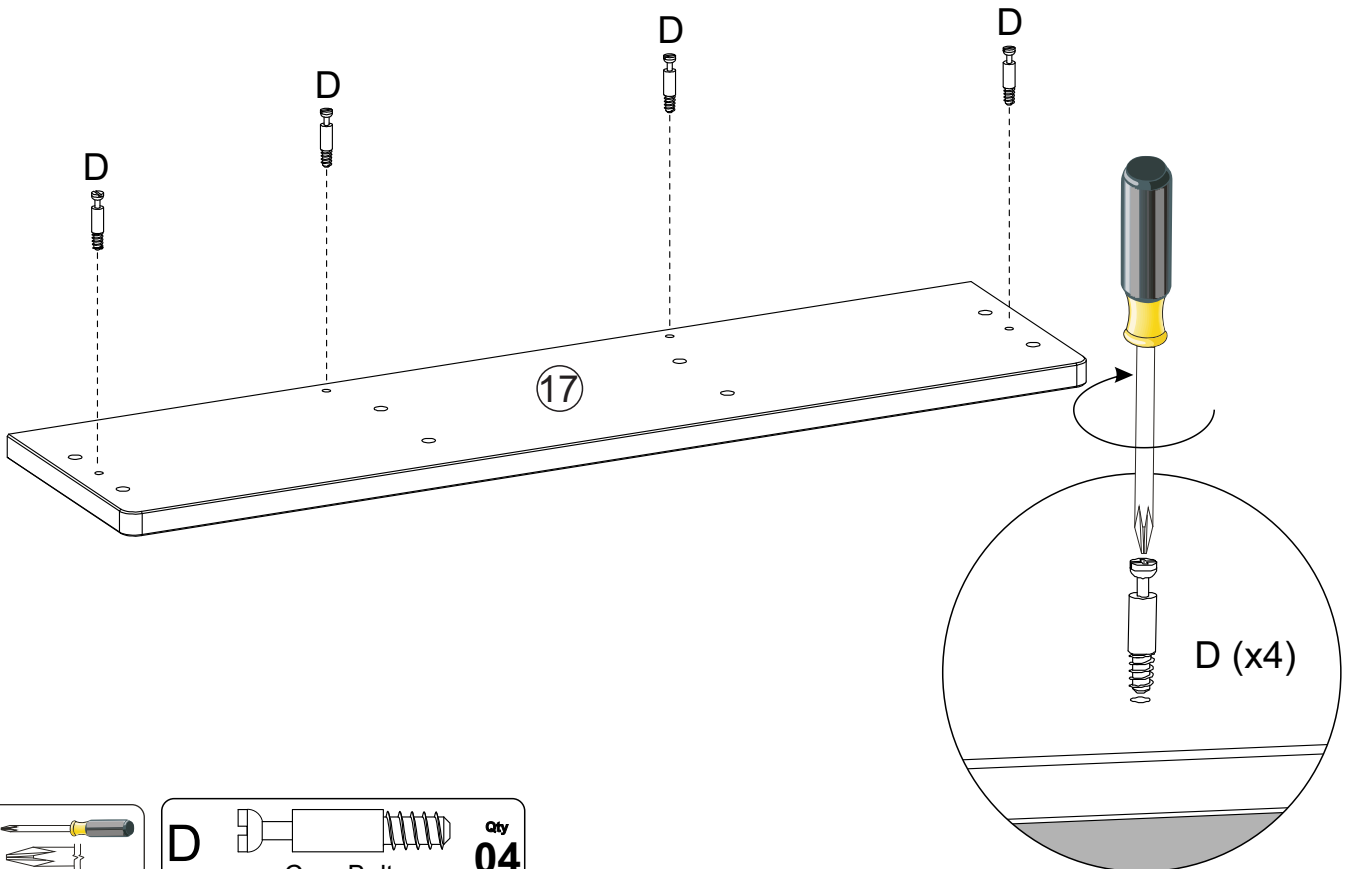
12 Bookcase Divisions

Insert wooden dowels (A) into the holes of bookcase divisions 16, as shown in the diagram. Attach parts 16 on the shelf 13, as shown in the diagram.



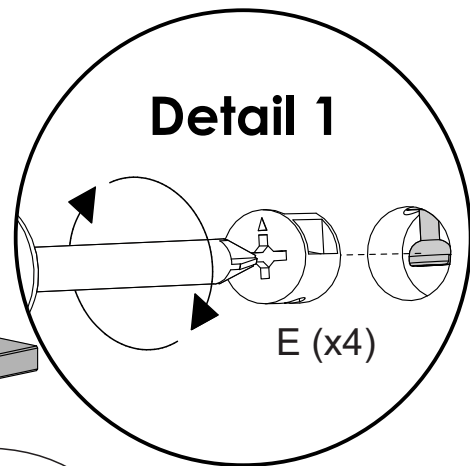
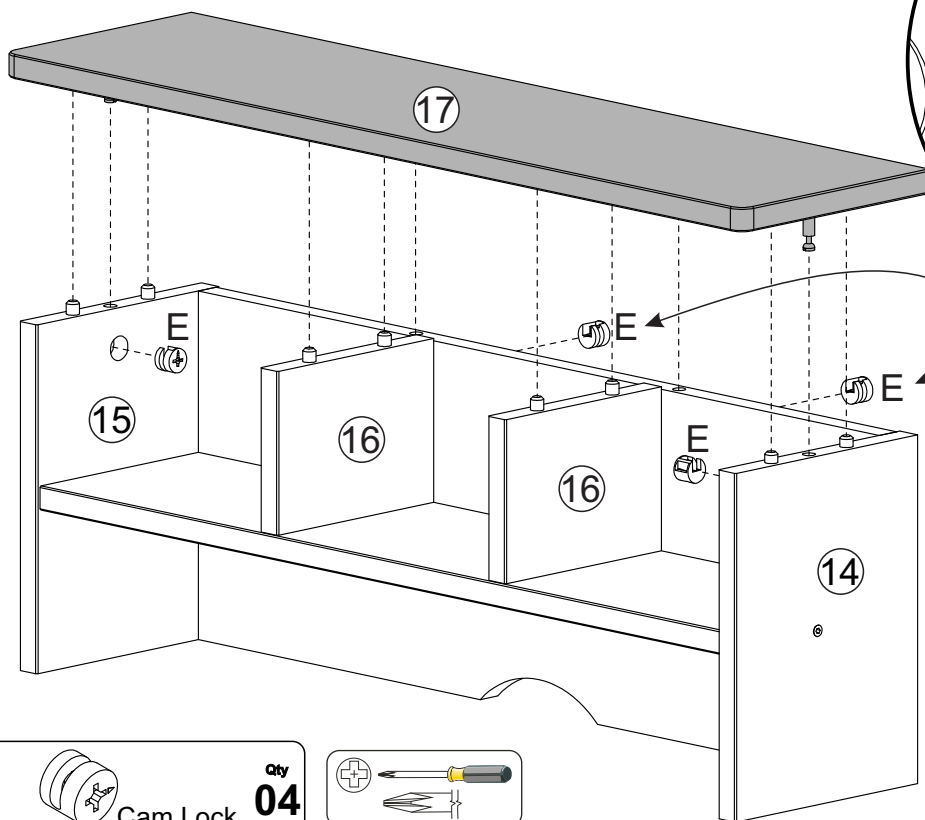
13 Bookcase top

Insert cam bolts (D) into the holes, as shown in the diagram.


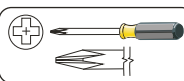


14 Bookcase

Attach the top 17 on bookcase using cam locks (E), locking according to the detail 1.

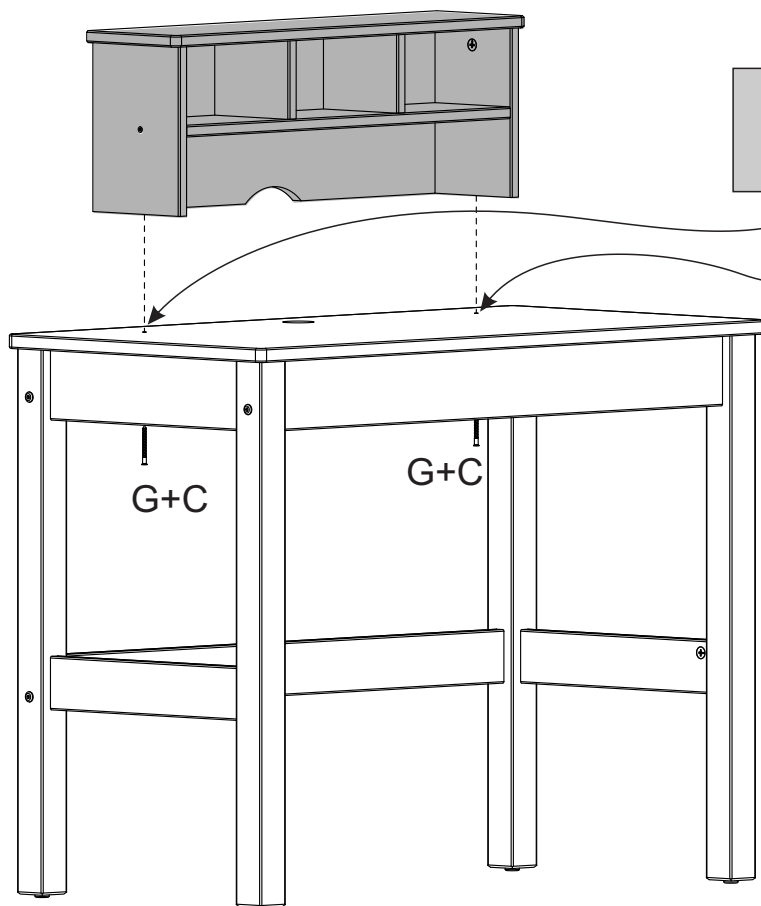


!
OUTSIDE

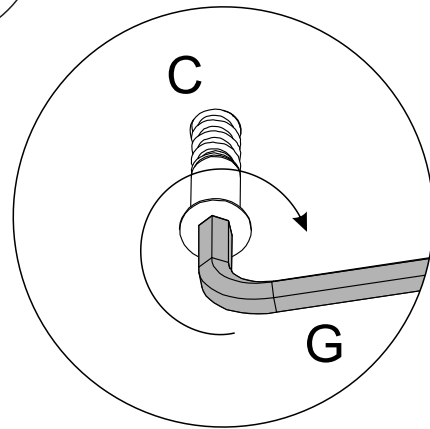
E  Cam Lock **Qty 04** 

15 Bookcase

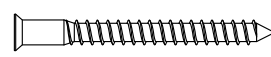
Attach the bookcase on the desk, using bolts (C) under the desk.



!
ATTENTION
Pre-drilled holes



G  Allen wrench **Qty 01**
3mm

C  2" Bolt **Qty 02**

16

