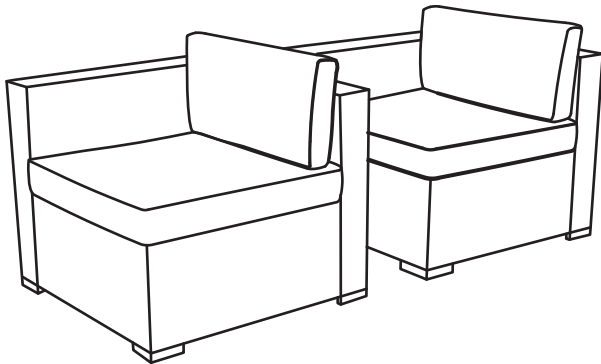


2xCorner Sofa





**IMPORTANT, RETAIN FOR
FUTURE REFERENCE:
READ CAREFULLY.**

Safety

- For domestic use only.
- Always use on firm level ground.
- Don't tighten all the bolts before the product is fully assembled.
- It would be useful to ask someone to help you assemble the product.
- Periodic structural checks of this product should be undertaken, do not use if you have any doubts about its fitness for purpose.
- Do not stand on the seat.
- Do not sit on the armrest.
- Do not let children play with this product.
- Maximum load per seat: 250 lbs.

At the beginning of the season

- Check to ensure that all components and fixings of this product are secure, do not use if you have any doubts about its fitness for purpose.

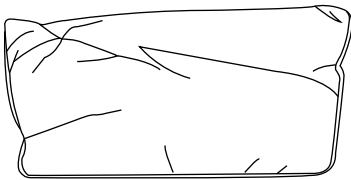
At the end of the season

- This product should be stored under cover during prolonged spells of adverse weather (wet or cold) and also during the winter (ideally in a garden shed or garage).
- Always clean and dry thoroughly before storage.

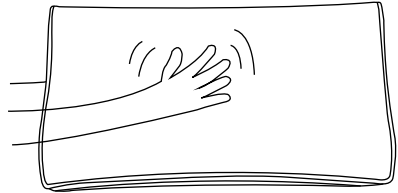
Tips for Cushions

In order to compress the package, we put the cushions in the gap of some parts. So there may be crinkle on the fabric. Don't worry. Just flap every corner of the cushion evenly and it will get back into its original shape soon.

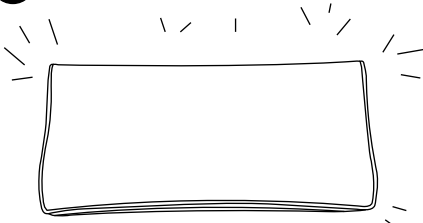
1



2



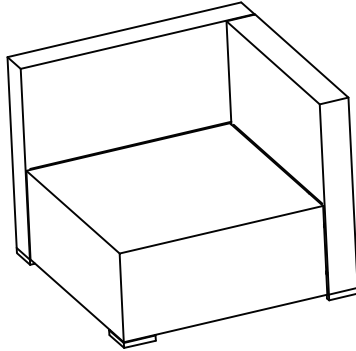
3



OK

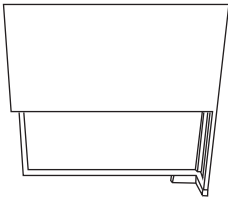


Corner Sofa

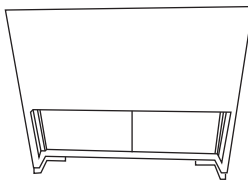


**Corner Sofa is universal (used as a left or right) sofa.
If you rotate it 90 degrees, the left corner sofa is the right corner sofa.**

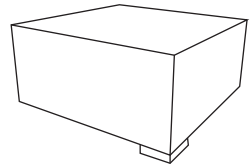
ASSEMBLY PARTS LIST



(A)x1 Corner Panel



(B)x1 Corner Panel



(C)x1 Seat Base

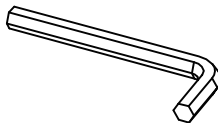


x9



x9

M6x35 Bolt/Washer 9pcs



(L)x1 Hex Wrench

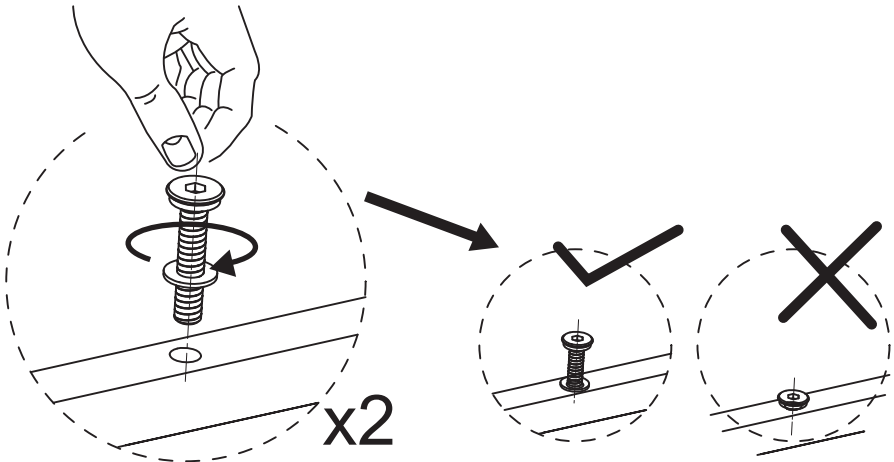
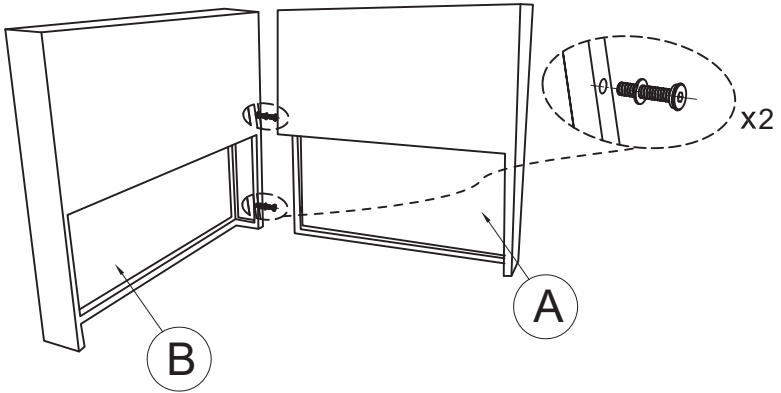


Important:

Hand tighten all the bolts to line up all the pieces .
Then tighten all the bolts down.

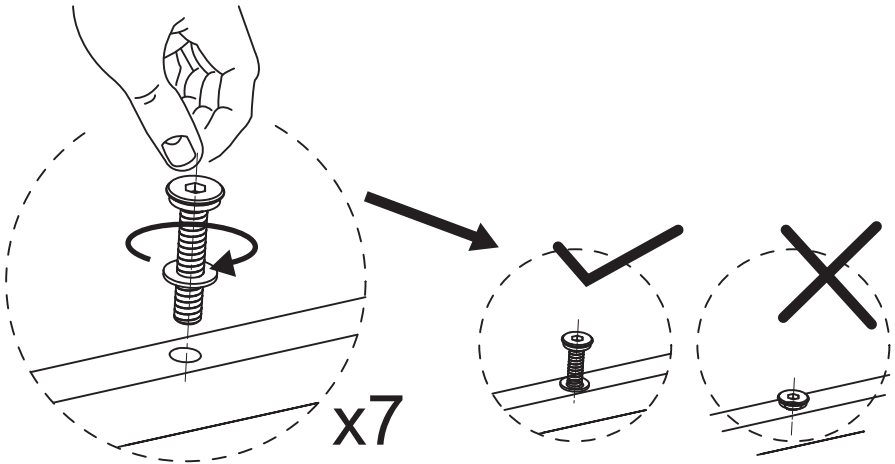
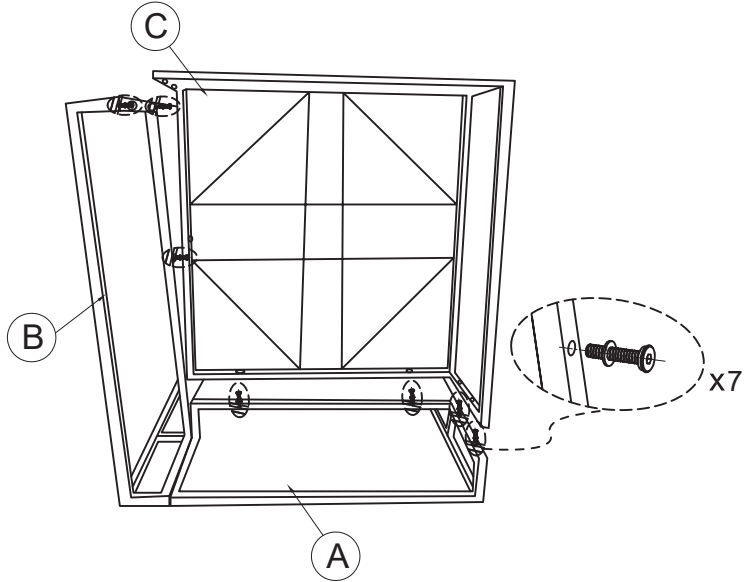
ASSEMBLY STEPS

- 1 Attach the corner panel (A) to the corner panel (B) with bolts (M6X35) and washers. Do this in 2 places.



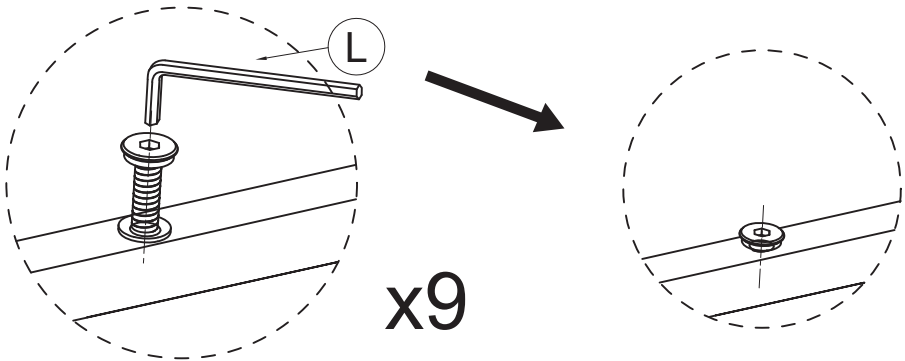
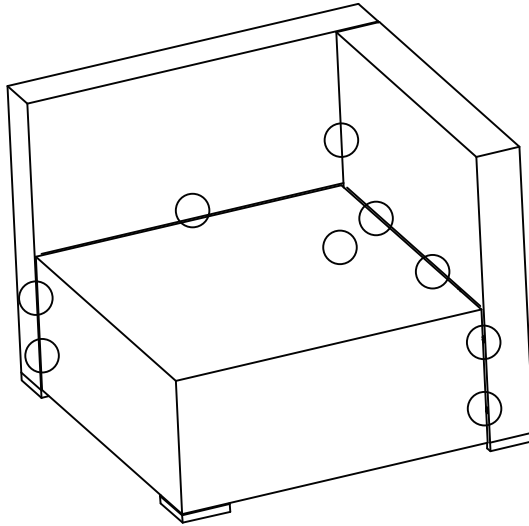
NOTE: DO NOT TIGHTEN THE BOLTS COMPLETELY.

- 2** Attach the seat base (C) to the corner panel (A) and corner panel (B) with bolts (M6X35) and washers. Do this in 7 places.



NOTE:DO NOT TIGHTEN THE BOLTS COMPLETELY.

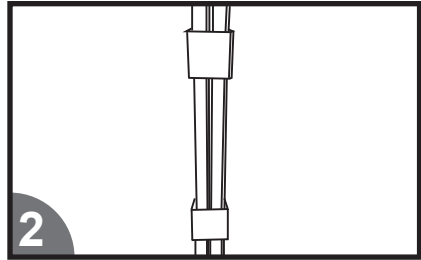
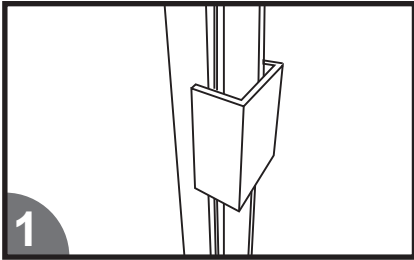
3 Tighten all 9 Bolts into place with Allen Key (L).



x9

NOTE:IF ANY BOLT HOLES CANNOT BE ALIGNED,
LOOSEN ALL THE BOLTS AND GO BACK STEP
1 AND RESTART ASSEMBLY.

SECTIONAL SOFA CONNECTOR MANUAL



-
- Sectional outdoor wicker patio sofa is very light weight in nature and subject to movement.
 - These high quality fasteners prevents movement between modules to maintain the aesthetically good look of your modular patio furniture set.
 - Two fasteners are recommended between Two adjoining module.