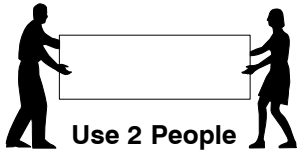
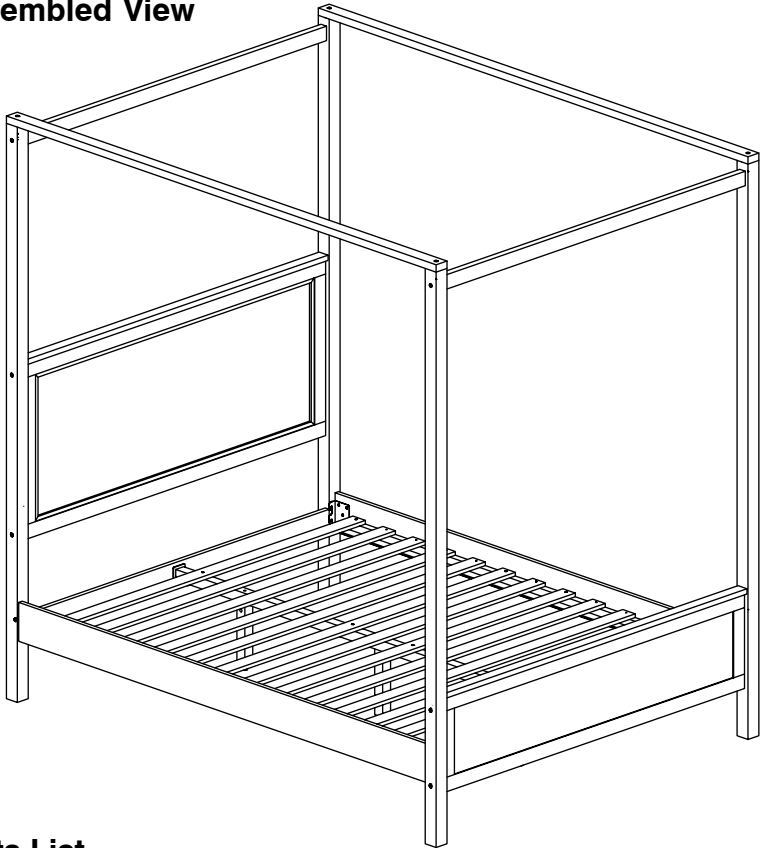


Canopy Queen Bed

Assembly Instructions

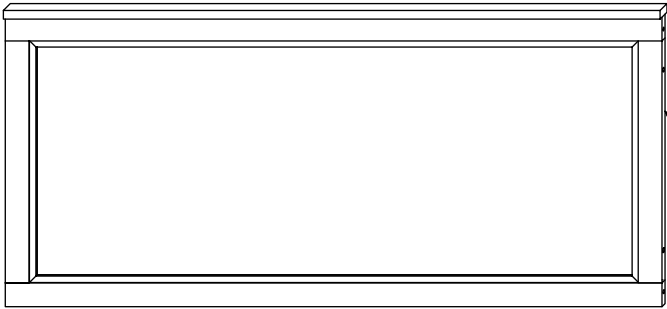
1 Assembled View



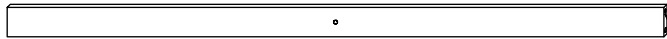
Note: Do not assemble using power tools. This can cause the bolts to be overtightened

2 Parts List

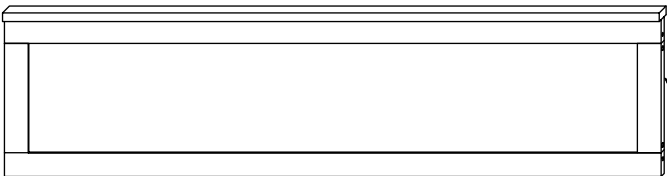
Parts in Box A:



A Headboard Panel x 1



B Headboard Support x 1



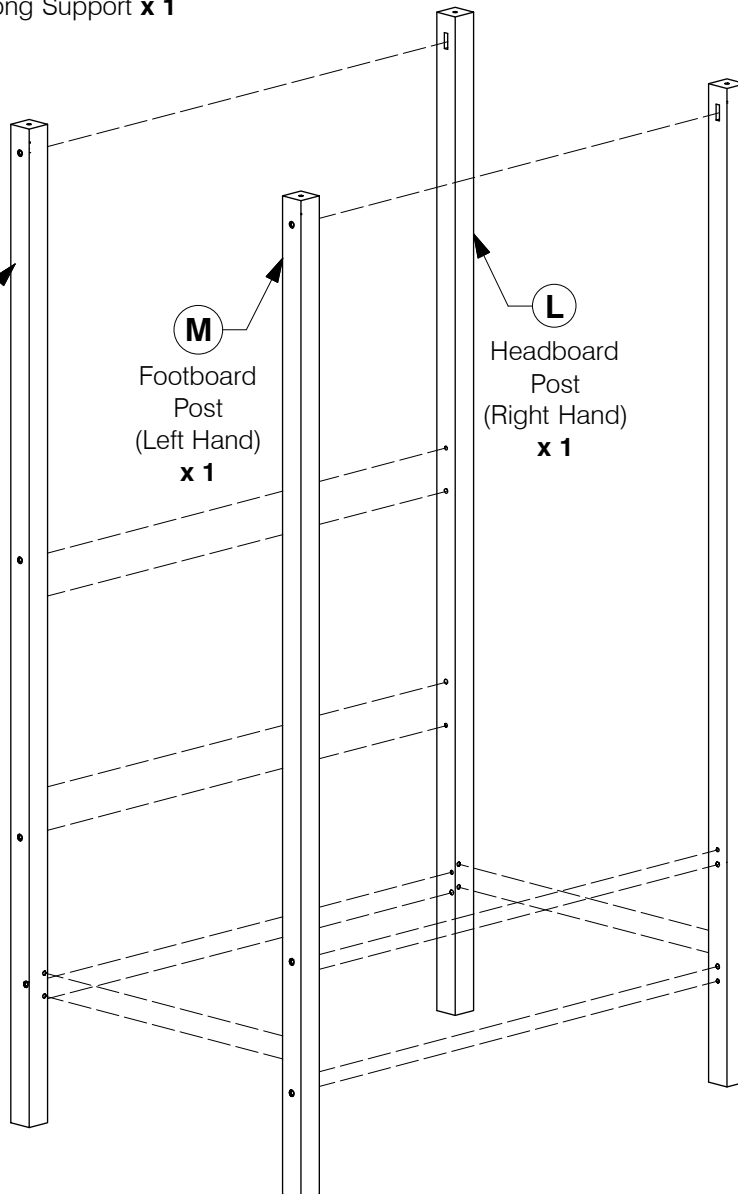
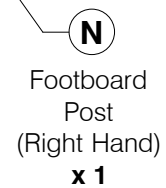
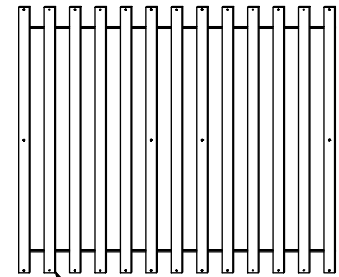
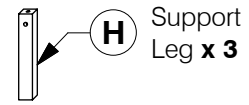
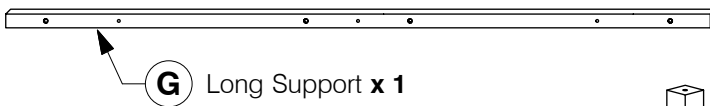
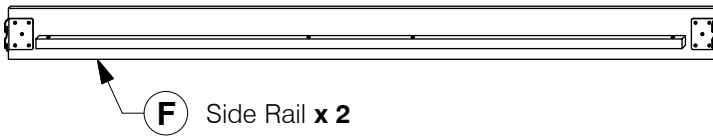
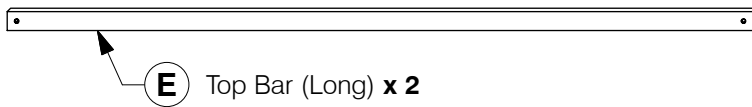
C Footboard Panel x 1

Canopy Queen Bed

Assembly Instructions

2 Parts List

Parts in Box B:



Canopy Queen Bed

Assembly Instructions

3 Hardware List



1 M6 x 100mm JCB
x 14



2 M6 x 90mm JCB
x 3



3 M6 x 50mm JCB
x 4



4 M6 x 40mm JCB
x 12



5 M6 x 20mm JCB
x 8



6 M6 x 15mm JCB
x 4



7 Wood Dowel
(M10 x 40mm) x 10



8 Barrel Nut
x 17



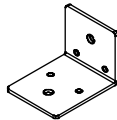
9 Spring Washer
x 8



10 Flat Washer
x 8



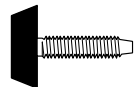
11 Wood Screw
(M4 x 32mm) x 18



12 Center Rail
Bracket x 2

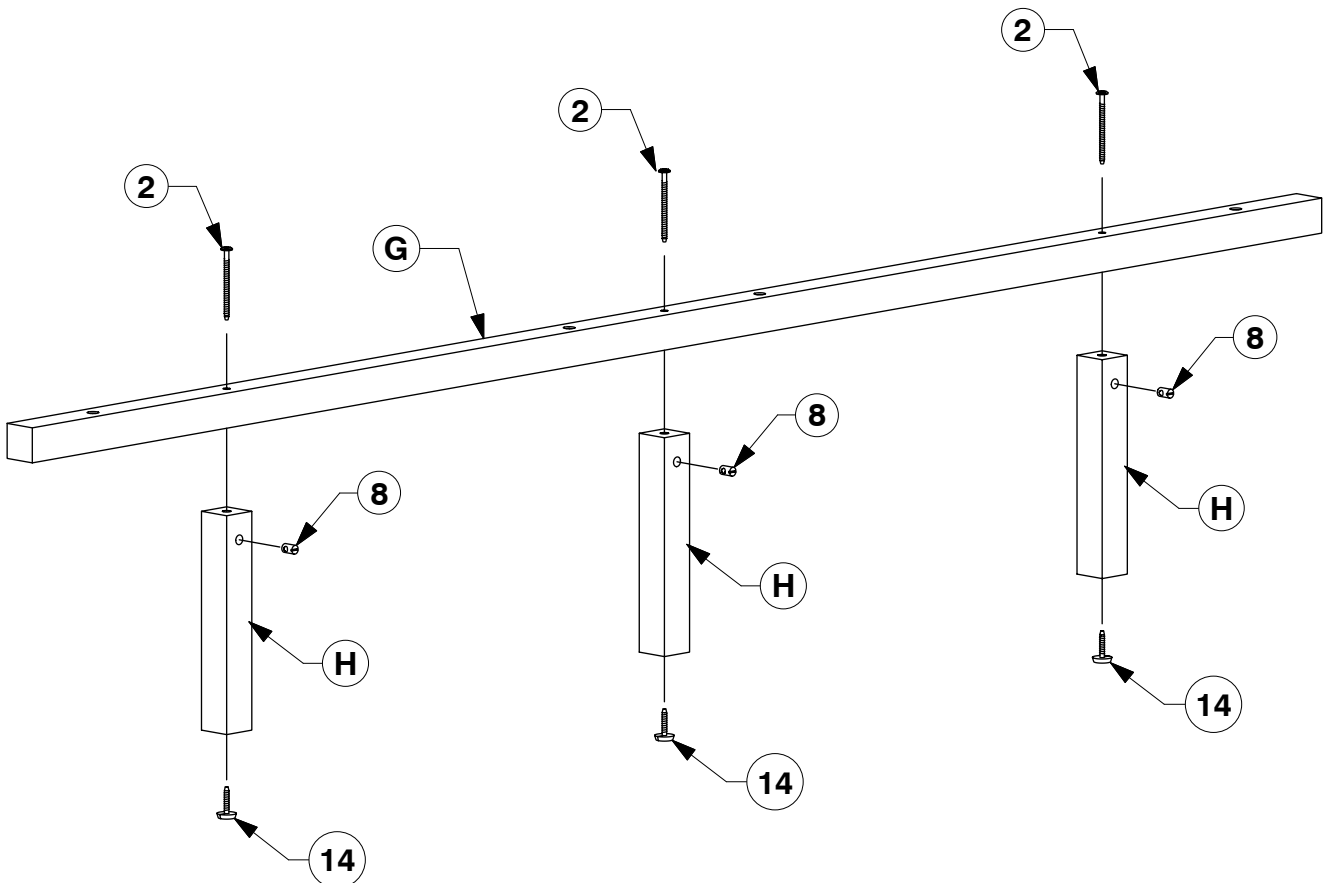


13 Allen Key
x 1



14 Adjustable
Foot x 3

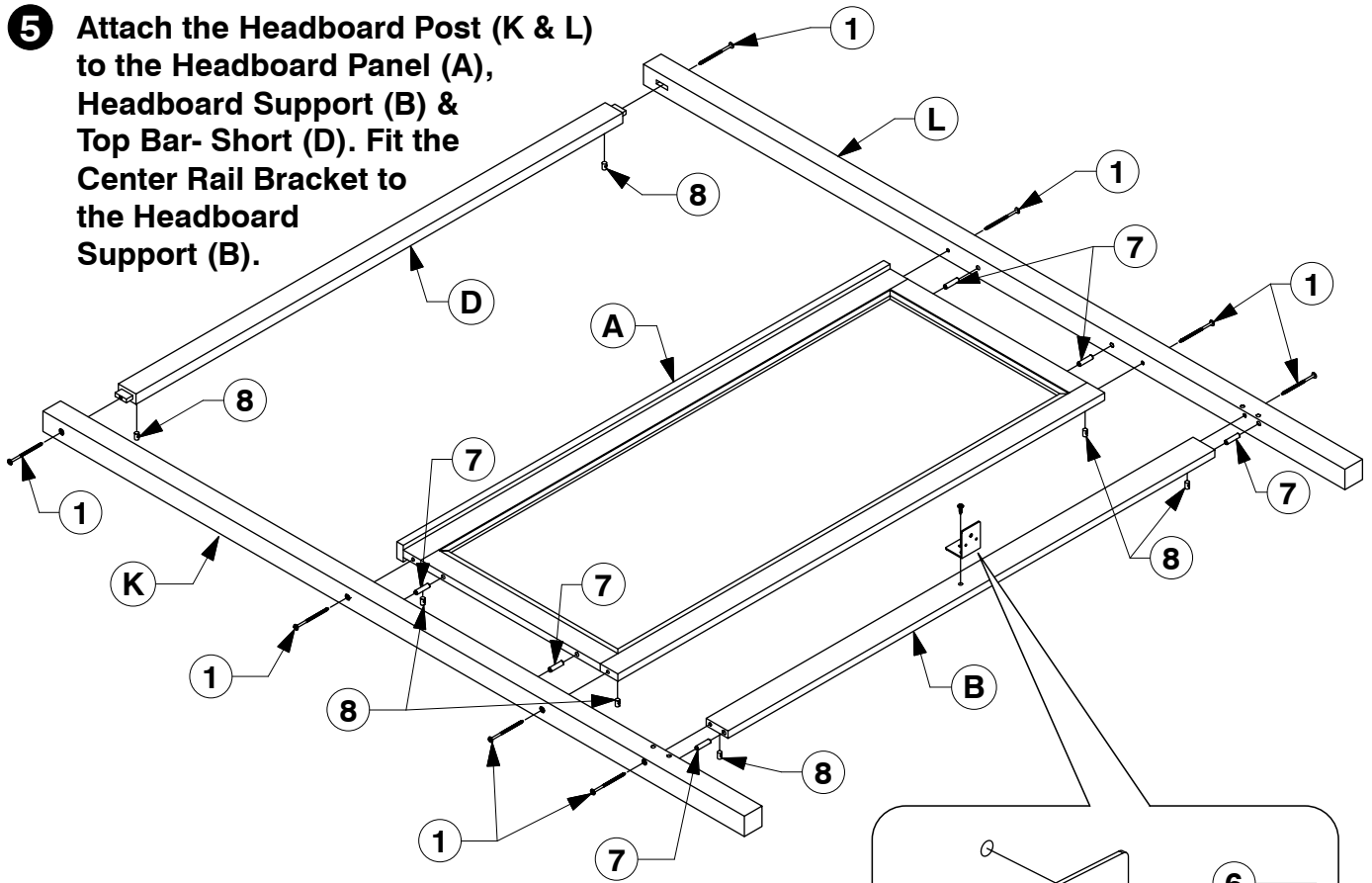
4 Assemble the Support Leg (H) to the Long Support (G).



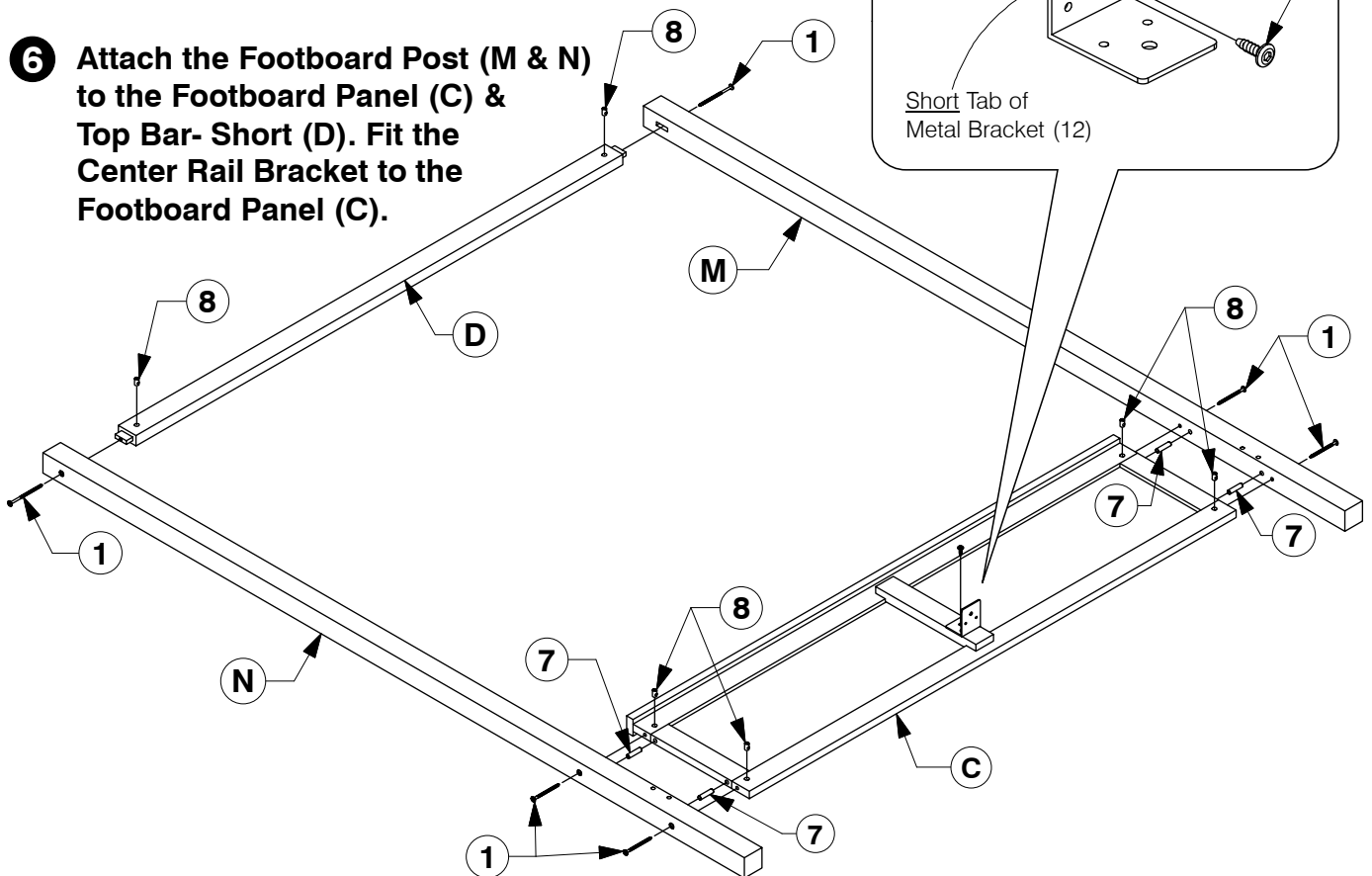
Canopy Queen Bed

Assembly Instructions

- 5** Attach the Headboard Post (K & L) to the Headboard Panel (A), Headboard Support (B) & Top Bar- Short (D). Fit the Center Rail Bracket to the Headboard Support (B).



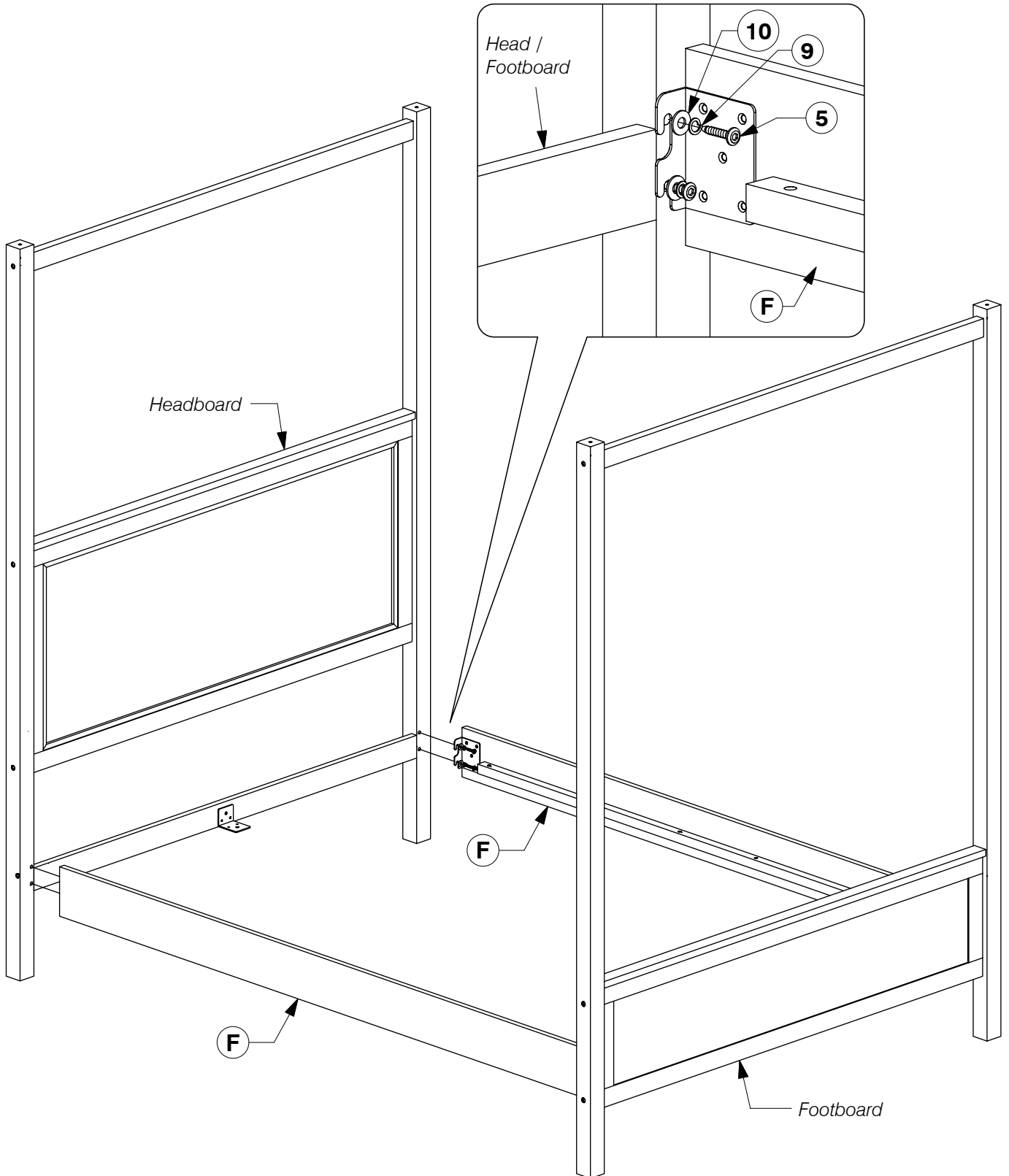
- 6** Attach the Footboard Post (M & N) to the Footboard Panel (C) & Top Bar- Short (D). Fit the Center Rail Bracket to the Footboard Panel (C).



Canopy Queen Bed

Assembly Instructions

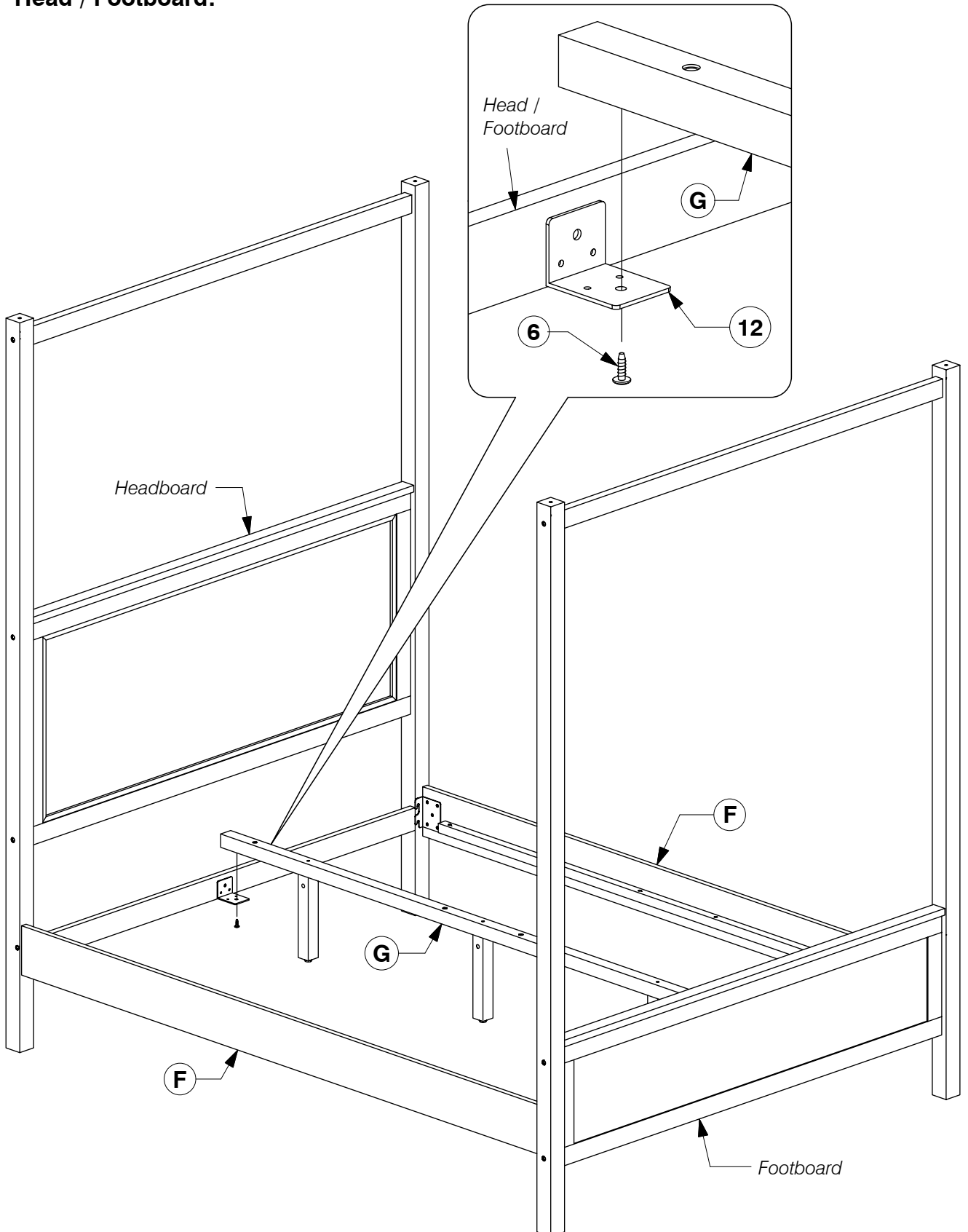
- 7** Assemble the Side Rail (F) to the Head / Footboard.



Canopy Queen Bed

Assembly Instructions

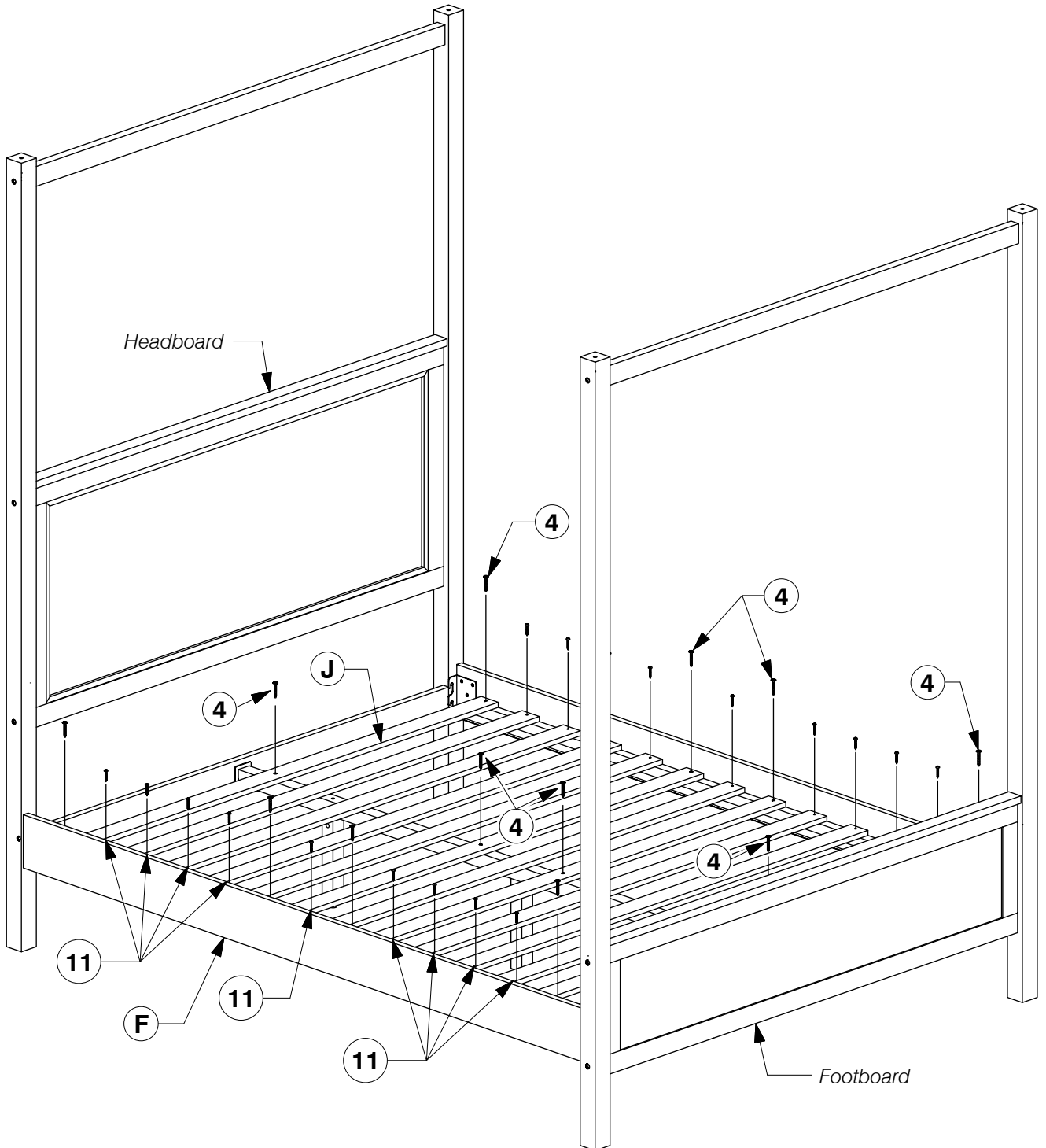
- 8** Bolt the Long Support (G) to the Center Rail Brackets on the Head / Footboard.



Canopy Queen Bed

Assembly Instructions

- 9** Bolt & screw the Bed Slats (J) to the Side Rail (F).



Canopy Queen Bed

Assembly Instructions

- 10** Fit the Top Bar- Long (E) on top of the Head / Footboard Post.

