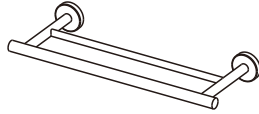


Technical Specification



410180

NOTE:

These products should be located and mounted to a wall. While it is possible to mount them to any surface, a stud or concrete mounted product will yield the best results.

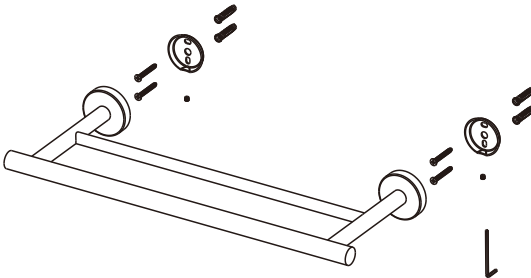
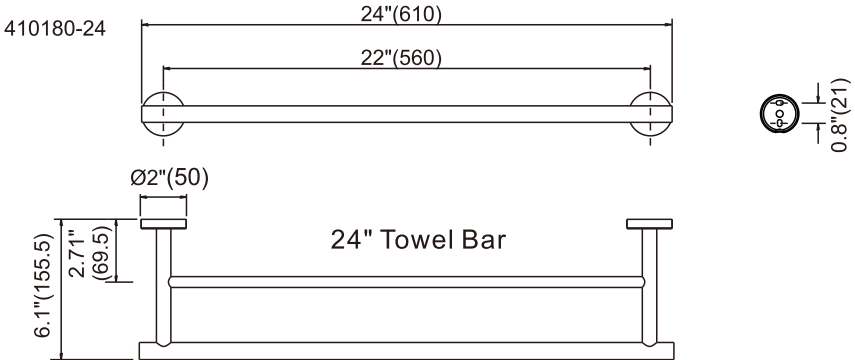
DANGER: (Risk of personal injury)

These products are not designed or intended for use as a grab bar or support bar. Do not install any of these products in any area where they are likely to be used inadvertently as a grab bar or support bar.

Cleaning Instructions:

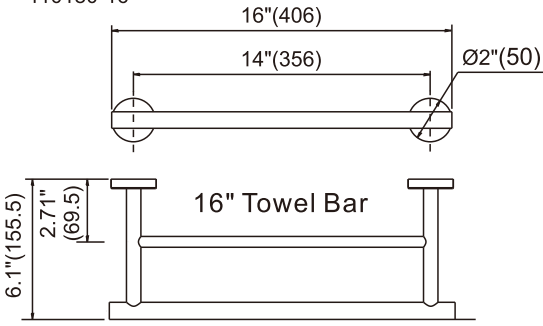
To preserve the fine finish of this product, clean only with a soft damp cloth. Dry well. Do not use commercial or abrasive cleaners.

How To Install Towel Bar

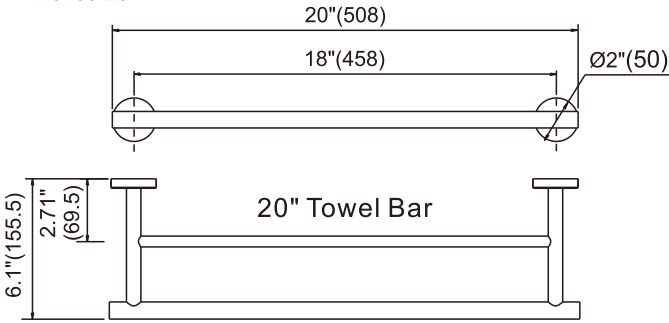


Slide the extension of the towel bar kit onto the bracket .
Orient the screw hole of the extension downwards.
Tighten the screw with the hex wrench to secure the towel bar kit .

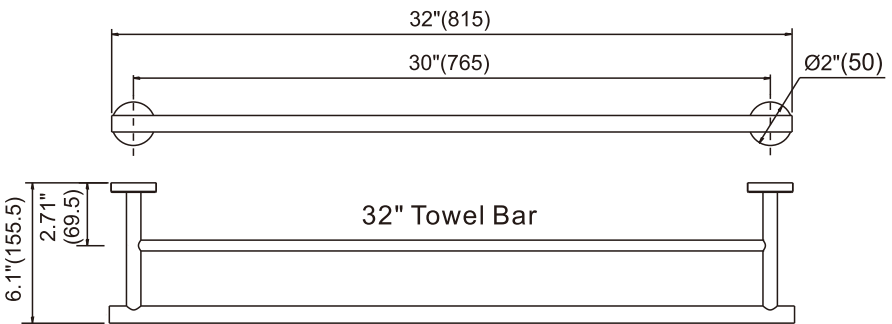
410180-16



410180-20



410180-32



410180-36

