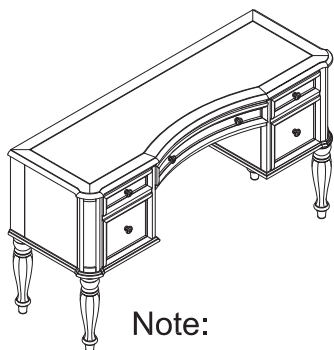


ASSEMBLY INSTRUCTION

DESCRIPTION: VANITY DESK

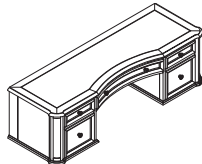

Thank you for purchasing this quality product. Be sure to check all packing material carefully for small parts which may have come loose inside the carton during shipment. Identify and count all parts and compare with the parts List Below:



Note:

1. Remove legs from inner box

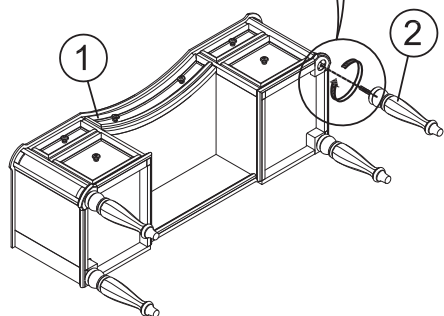
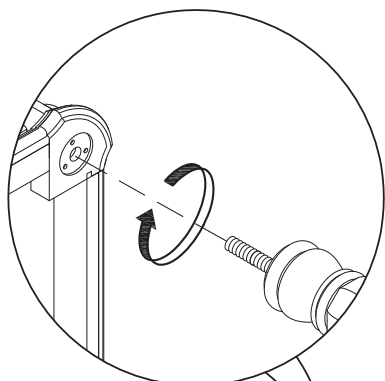
PART LIST:

①		②	
TABLE TOP:1PC		LEGS: 4PCS	

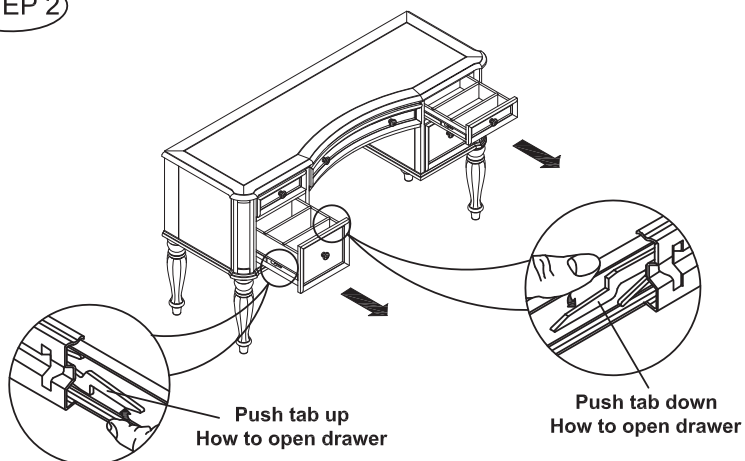
HARDWARE LIST

NO.	Drawing	Description	Q'ty
A		Furniture Tipping Restraint	1 Set

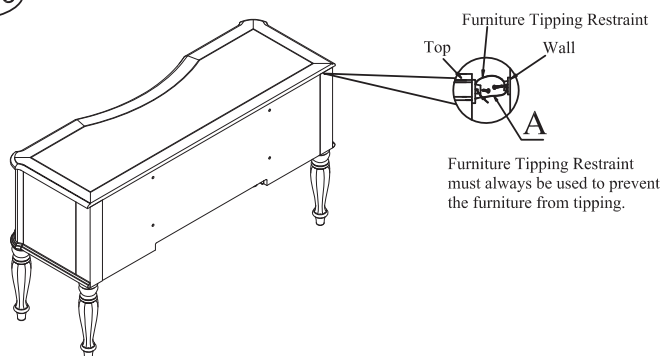
STEP 1



STEP 2



STEP 3



CLEANING INSTRUCTION

Clean the Vanity Desk surface with a furniture polish and a soft cloth.

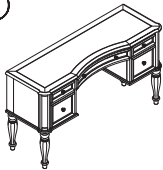
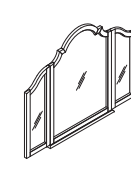

Made in VietNam

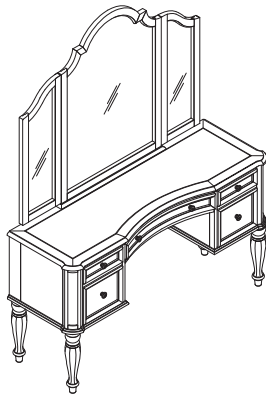
ASSEMBLY INSTRUCTION

DESCRIPTION: VANITY MIRROR VANITY DESK

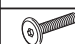



Thank you for purchasing this quality product. Be sure to check all packing material carefully for small parts which may have come loose inside the carton during shipment. Identify and count all parts and compare with the parts List Below:

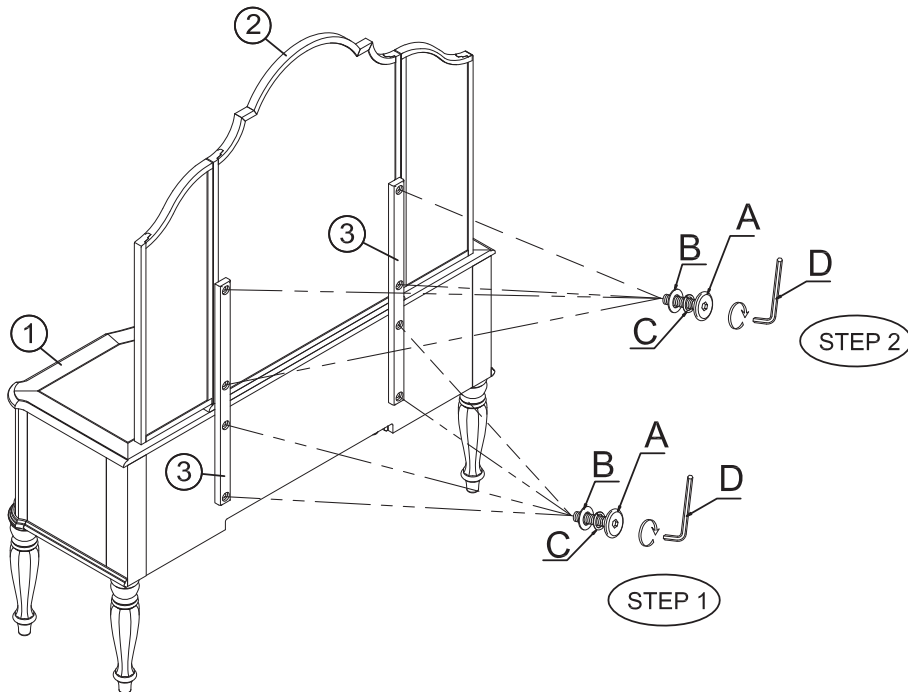
PART LIST:

①		②		③	
VANITY DESK: 1PC		VANITY MIRROR: 1PC		MIRROR SUPPORTS: 2PCS	



HARDWARE LIST

NO.	Drawing	Description	Q'ty
A		Bolt $\Phi 1/4"$ x 1-1/4"	8pcs
B		Flat washer ($\Phi 1/4"$ x19mm)	8pcs
C		Spring washer ($\Phi 1/4"$)	8pcs
D		Allen wrench (4mm)	1pc



CLEANING INSTRUCTION

Clean the Vanity Mirror/ Vanity Desk surface with a furniture polish and a soft cloth.

Made in Viet Nam